




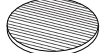

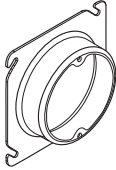

Pru1 Cylinders



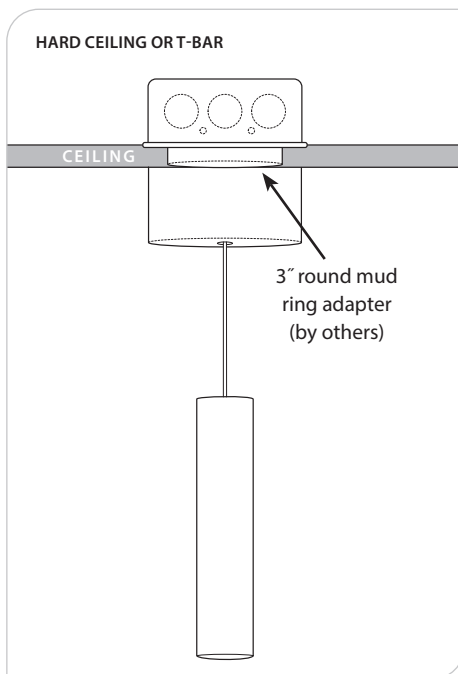
PRUDENTIAL LTG.

PRULITE.COM 213.746.0360

INSTALLATION INSTRUCTIONS

PART	PART NO.	DESCRIPTION	QTY
	—	8-32 x 1/2" Machine Screw	2
	—	2mm Hex Key Wrench	1
	100-00020-31	Louver (Optional)	
	100-00021-31	Softening Lens (Optional)	
	100-00025-31	Magnetic Ring Holder (Optional)	
	(by others)	3" Round Mud Ring Adapter for 4" Square Box with 8-32 Tapped Ears on 2 3/4" Centers —Raco 767 (1/2" raised), Raco 756 (5/8" raised)	
	(by others)	3" Round Mud Ring Adapter for 4" Octagon Box with 8-32 Tapped Ears on 2 3/4" Centers —Raco 737 (1/2" raised), Raco 727 (5/8" raised)	

CROSS SECTION



WARNING: Ground fixture in accordance with local and national electrical codes. Failure to do so may result in serious personal injury. Fixture Installations should ONLY be done by a qualified licensed electrical professional.

USA Prudential Ltg. reserves the right to change design specifications or materials without notice. Please visit prulite.com for most current data. © 2025 All rights reserved—All products manufactured at: Prudential Ltg. 1774 E. 21st Street, Los Angeles, CA 90058

Pru1 Cylinders

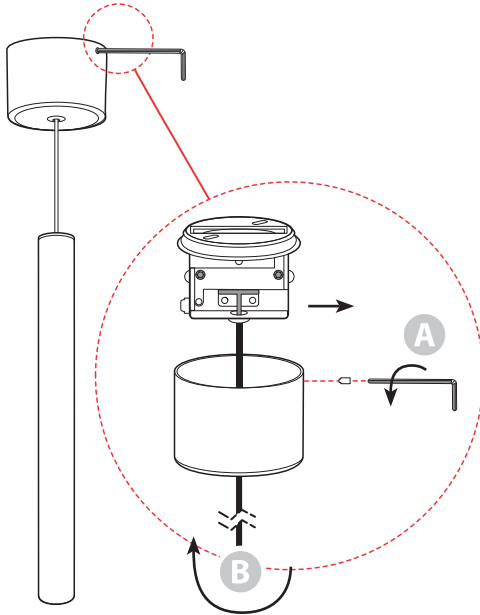


PRUDENTIAL LTG.

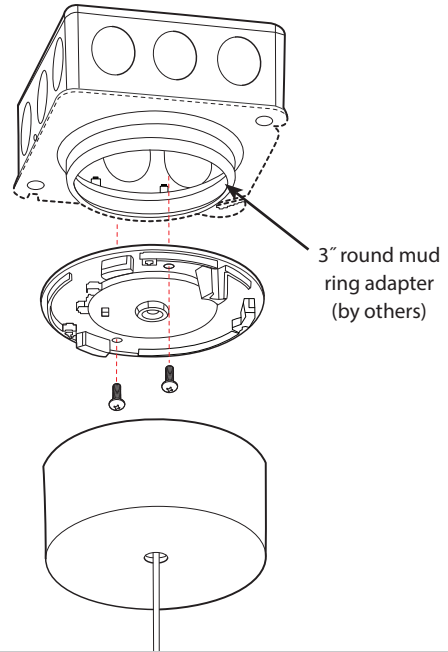
PRULITE.COM 213.746.0360

INSTALLATION INSTRUCTIONS

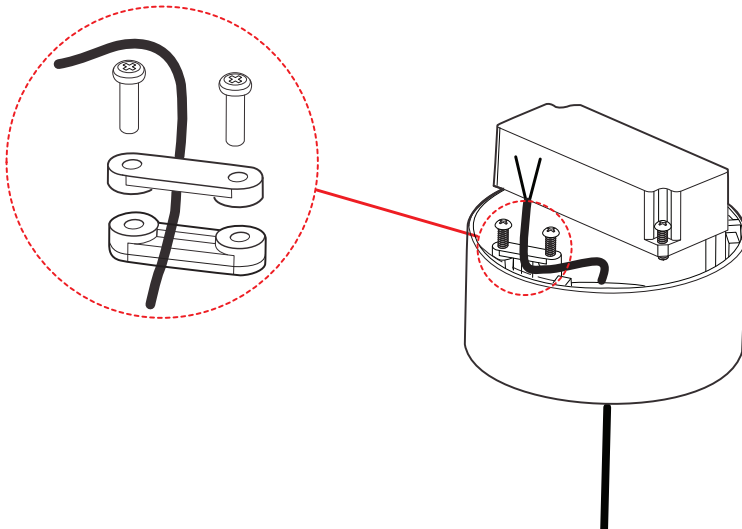
- Remove set screw with provided 2mm hex key wrench.
 - Twist canopy counter clockwise to access mounting holes on back plate.



- Make wiring connections inside j-box. Attach mounting plate to j-box with provided 8-32 screws.

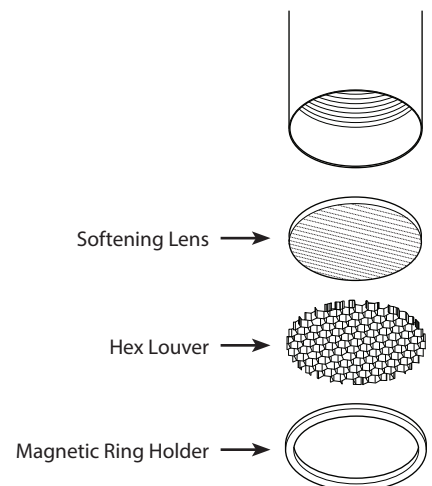


- Adjust suspension height by removing the driver and loosening the strain relief. Set your desired cable length, then tighten all screws back in place.



4) OPTIONAL

Install optical accessories.
Ensure the magnetic ring holder is installed last.



WARNING: Ground fixture in accordance with local and national electrical codes. Failure to do so may result in serious personal injury. Fixture installations should ONLY be done by a qualified licensed electrical professional.