

# Wet BionicPro | Recessed Linear

## X7 — Mud Over

### INSTALLATION INSTRUCTIONS



PRUDENTIAL LTG.

PRULITE.COM 213.746.0360

PART	PART NO.	DESCRIPTION
<b>MOUNTING JIG:</b>		
	173723	Wet BionicPro2 Mounting JIG
	173724	Wet BionicPro3 Mounting JIG
	173725	Wet BionicPro4 Mounting JIG
	173726	Wet BionicPro5 Mounting JIG

<b>ASSEMBLY KIT BREAKOUT KIT: 100-00206-08</b>			
	Die Casted MainPart	1	
	One-sided Adhesive Gasket	2	
	Die Casted Shaft Collar	1	
	18-8 Stainless Steel 1/4 x 20 Hex Nut	1	
	18-8 Stainless Steel Socket Head Screw	2	
	Socket Head Cap Screw 6-32 x 3/8"		
	Black Nylon Flat Washer .140ID x 312OD		

PART	PART NO.	DESCRIPTION
	100-00283-14	1/4-20 x 5.0 Round Head Combination Drive Machine Screw
	100-00255-14	1/4-20 Hex Nut
	100-00486-10	Seam Reflector

<b>LENS INSTALLATION:</b>		
	100-00464-10	BionicPro3 Lens Tool
	100-00014-25	Lens Lube

<b>ROW MOUNTING GASKET:</b>		
	100-00397-17	Joiner Gasket — BLACK
	100-00435-17	Joiner Gasket — WHITE

LENS CLAMP KIT:	BPRO2	BPRO3	BPRO4	BPRO5
	170523	170524	170525	170526
	100-00253-03	100-00254-03	100-00255-03	100-00256-03
	100-00153-17	100-00154-17	100-00155-17	100-00156-17
	100-00075-17	100-00459-17	100-00076-17	100-00077-17

**WARNING:** Ground fixture in accordance with local and national electrical codes. Failure to do so may result in serious personal injury. Fixture Installations should ONLY be done by a qualified licensed electrical professional.

# Wet BionicPro | Recessed Linear

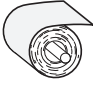
X7 — Mud Over

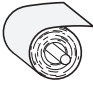
## INSTALLATION INSTRUCTIONS

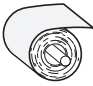


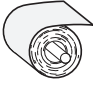
PRUDENTIAL LTG.

PRULITE.COM 213.746.0360

PARTS LIST	LENGTH	PART NO.							
<b>LENSES:</b>		SAL	BTW	WWF	WWG	PFL	NGZ	MGZ	WGZ
	8'	183559	183551	183567	183575	183583	183591	183599	183607
	7'	183560	183552	183568	183576	183584	183592	183600	183608
	6'	183561	183553	183569	183577	183585	183593	183601	183609
	5'	183562	183554	183470	183578	183586	183594	183602	183610
	4'	183563	183555	183471	183579	183587	183595	183603	183611
<b>WET BIONICPRO2</b>	3'	183564	183556	183472	183580	183588	183596	183604	183612
	2'	183565	183557	183473	183581	183589	183597	183605	183613
	ROLL	100-01152-10							

PARTS LIST	LENGTH	PART NO.							
<b>LENSES:</b>		SAL	BTW	WWF	WWG	PFL	NGZ	MGZ	WGZ
	8'	173834	173826	173842	173850	173858	173866	173874	173882
	7'	173835	173827	173843	173851	173859	173867	173875	173883
	6'	173836	173828	173844	173852	173860	173868	173876	173884
	5'	173837	173829	173845	173853	173861	173869	173877	173885
	4'	173838	173830	173846	173854	173862	173870	173878	173886
<b>WET BIONICPRO3</b>	3'	173839	173831	173847	173855	173863	173871	173879	173887
	2'	173840	173832	173848	173856	173864	173872	173880	173888
	ROLL	100-00501-10							

PARTS LIST	LENGTH	PART NO.							
<b>LENSES:</b>		SAL	BTW	WWF	WWG	PFL	NGZ	MGZ	WGZ
	8'	183623	183615	183631	183639	183647	183655	183663	183671
	7'	183624	183616	183632	183640	183648	183656	183664	183672
	6'	183625	183617	183633	183641	183649	183657	183665	183673
	5'	183626	183618	183634	183642	183650	183658	183666	183674
	4'	183627	183619	183635	183643	183651	183659	183667	183675
<b>WET BIONICPRO4</b>	3'	183628	183620	183636	183644	183652	183660	183668	183676
	2'	183629	183621	183637	183645	183653	183661	183669	183677
	ROLL	100-01153-10							

PARTS LIST	LENGTH	PART NO.							
<b>LENSES:</b>		SAL	BTW	WWF	WWG	PFL	NGZ	MGZ	WGZ
	8'	183687	183679	183695	183703	183711	183719	183727	183735
	7'	183688	183680	183696	183704	183712	183720	183728	183736
	6'	183689	183681	183697	183705	183713	183721	183729	183737
	5'	183690	183682	183698	183706	183714	183722	183730	183738
	4'	183691	183683	183699	183707	183715	183723	183731	183739
<b>WET BIONICPRO5</b>	3'	183692	183684	183700	183708	183716	183724	183732	183740
	2'	183693	183685	183701	183709	183717	183725	183733	183741
	ROLL	100-01153-10							

**WARNING:** Ground fixture in accordance with local and national electrical codes. Failure to do so may result in serious personal injury. Fixture Installations should ONLY be done by a qualified licensed electrical professional.

# Wet BionicPro | Recessed Linear

X7 — Mud Over

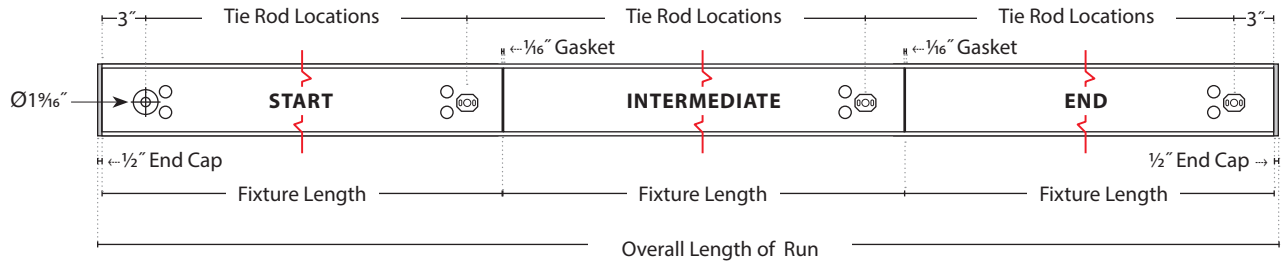
## INSTALLATION INSTRUCTIONS



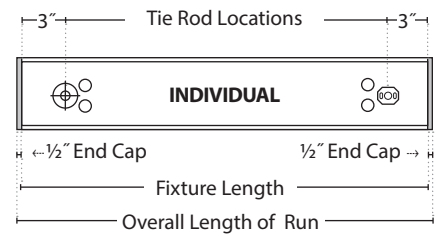
PRUDENTIAL LTG.

PRULITE.COM 213.746.0360

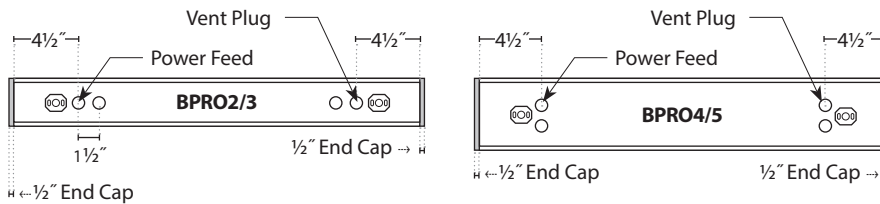
### HARD CEILING X1/X7/X11 — MOUNTING DIMENSIONS



	FIXTURE LENGTHS	TIE ROD LOCATIONS	
		Start / Individual	Intermediate / End
2'	24"	18"	—
3'	36"	30"	36 <sup>1</sup> / <sub>16</sub> "
4'	48"	42"	48 <sup>1</sup> / <sub>16</sub> "
5'	60"	54"	60 <sup>1</sup> / <sub>16</sub> "
6'	72"	66"	72 <sup>1</sup> / <sub>16</sub> "
7'	84"	78"	84 <sup>1</sup> / <sub>16</sub> "
8'	96"	90"	96 <sup>1</sup> / <sub>16</sub> "



### POWER FEED LOCATIONS:



**WARNING:** Ground fixture in accordance with local and national electrical codes. Failure to do so may result in serious personal injury. Fixture installations should ONLY be done by a qualified licensed electrical professional.

# Wet BionicPro | Recessed Linear

## X7 — Mud Over

### INSTALLATION INSTRUCTIONS



PRUDENTIAL LTG.

PRULITE.COM 213.746.0360

**1a)** Run ¼-20 All-thread from structure to fixture mounting locations for support and joists for flange mounting. Install rough electrical.

See mounting locations (page 2).

**1b) OPTIONAL**  
Screw Overhead Mounting Brackets (OMB) to joists (screws by others). Install rough-in electrical.

**2)** — Install drywall.  
— Cut rough-in holes.

See mounting locations (page 2).

**3)** Remove cardboard inserts and reflectors. Leave LED assembly in place.

**4)** Run power into access plate.

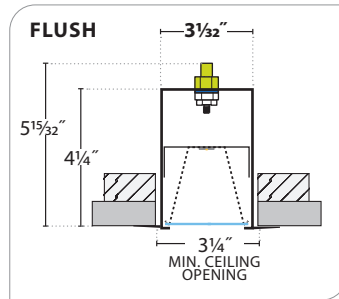
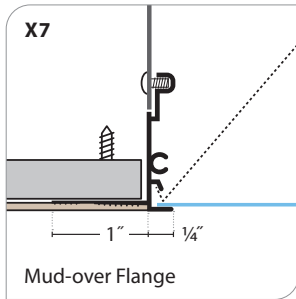
**WIRING:**

0-10V (+) : Purple	0-10V (-) : Grey
DALI (+) : Purple	DALI (-) : GREY
EcoSystem DALI (+) : Purple	EcoSystem DALI (-) : GREY
<b>HOT : BLACK</b>	
NEUTRAL : WHITE	
GROUND : GREEN	
Constant Hot (EM) / Dimming : Red	
Extra Hot / Dimming : Blue	
Extra Hot / Dimming : Orange	

**5) BPRO2 + 3 EMHE EMERGENCY AND LUTRON AT SO ONLY.**  
Insert insulation detector into knockout.

**NOTE:** BPRO2 & 3 are not IC-rated for insulation with emergency.  
**WARNING:** Warranty voided if insulation detector is removed or not snapped into place.

**WARNING:** Ground fixture in accordance with local and national electrical codes. Failure to do so may result in serious personal injury. Fixture Installations should ONLY be done by a qualified licensed electrical professional.



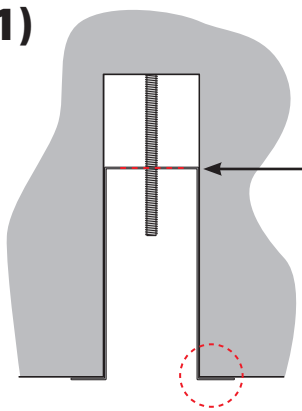
### HARD CEILING OPENING:

APERTURE	BPRO3
W = FIXTURE WIDTH	3 1/2"
X = CEILING OPENING (FLUSH)	3 1/4"
FIXTURE ROUGH IN LENGTH =	Fixture Length + 1 1/16"

## MOUNTING INSTALLATION

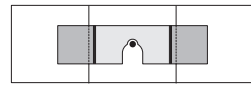
**1)**

Cut 1/4-20 rod to appropriate height using JIG provided. Ensure JIG flanges are flushed to the ceiling opening.



CUT LOCATION

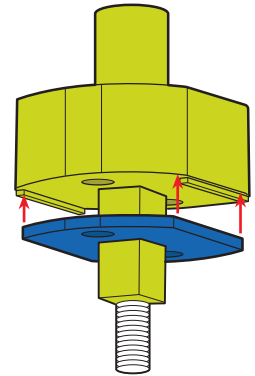
**BOTTOM VIEW**



**2a)**

Prep MainPart.

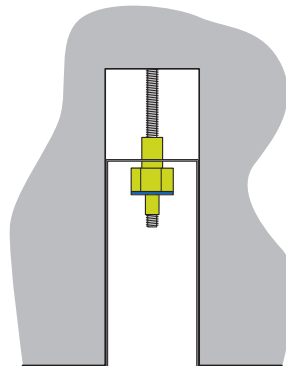
Apply adhesive backed gasket to the MainPart in between the ledges.



**2b)**

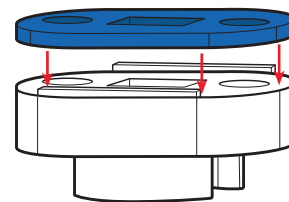
Screw MainPart on the 1/4-20 rod two threads, using the JIG provided as a reference on when to stop. A 3/16" HEX key or T-handle can be used. A gap should be left (approximately 1/4").

**NOTE:** After all MainParts are screwed on 1/4-20 rod appropriately JIG can be disposed.



**3a)**

Prep Shaft Collar. Apply adhesive backed gasket to the Shaft Collar in between the ledges.



**WARNING:** Ground fixture in accordance with local and national electrical codes. Failure to do so may result in serious personal injury. Fixture Installations should ONLY be done by a qualified licensed electrical professional.



# Wet BionicPro | Recessed Linear X7 — Mud Over

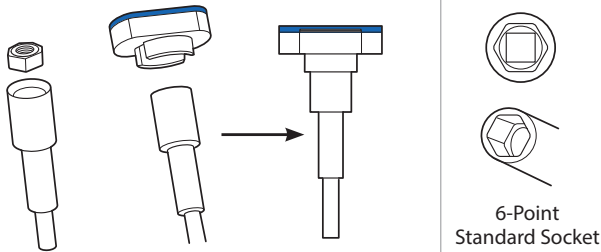
## INSTALLATION INSTRUCTIONS



PRUDENTIAL LTG.

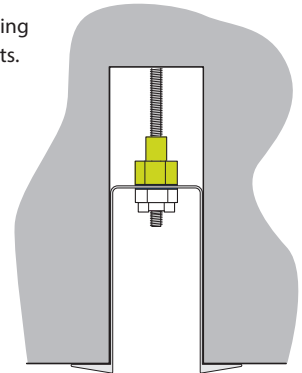
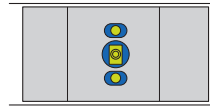
PRULITE.COM 213.746.0360

- 3b)** Attach a 6-Point Standard Socket to a drill. (Suggested size:  $\frac{7}{16}$ " with the shaft opening having a MAX ID of 0.63"). Place the 18-8 HEX nut into Socket and put Shaft Collar on top of drill bit.

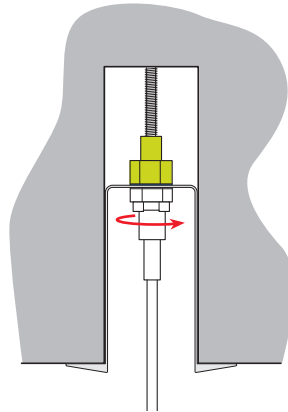


- 4a)** Place fixture in place according to the two mounting cut outs.

### BOTTOM VIEW

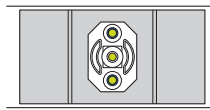


- 4b)** Screw Nut and Shaft Collar onto MainPart until the nut bottoms out against the MainPart and the fixture trim is flushed with the ceiling opening.

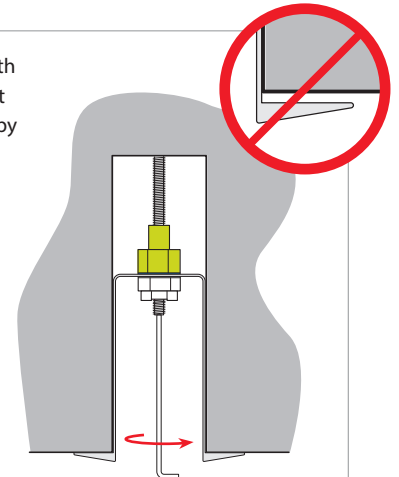


- 4c)** If fixture trim is not flush with the ceiling opening readjust the height of the Mainpart by inserting a  $\frac{1}{8}$ " L-key or drill bit extension to the HEX opening at the bottom.

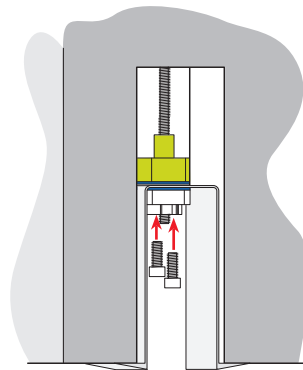
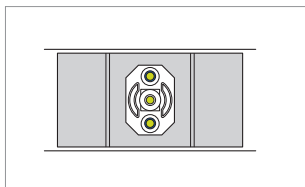
### BOTTOM VIEW



**NOTE:** Ensure the long edge of the shaft collar is parallel to long edge of the fixture.



- 5)** Screw in both Socket Head Screws until tight with a  $\frac{3}{16}$ " HEX key or T-handle.



**WARNING:** Ground fixture in accordance with local and national electrical codes. Failure to do so may result in serious personal injury. Fixture Installations should ONLY be done by a qualified licensed electrical professional.

# Wet BionicPro | Recessed Linear

X7 — Mud Over

## INSTALLATION INSTRUCTIONS



PRUDENTIAL LTG.

PRULITE.COM 213.746.0360

### STEPS 6-7 FOR ROWS ONLY, FOR INDIVIDUALS CONTINUE TO STEP 9

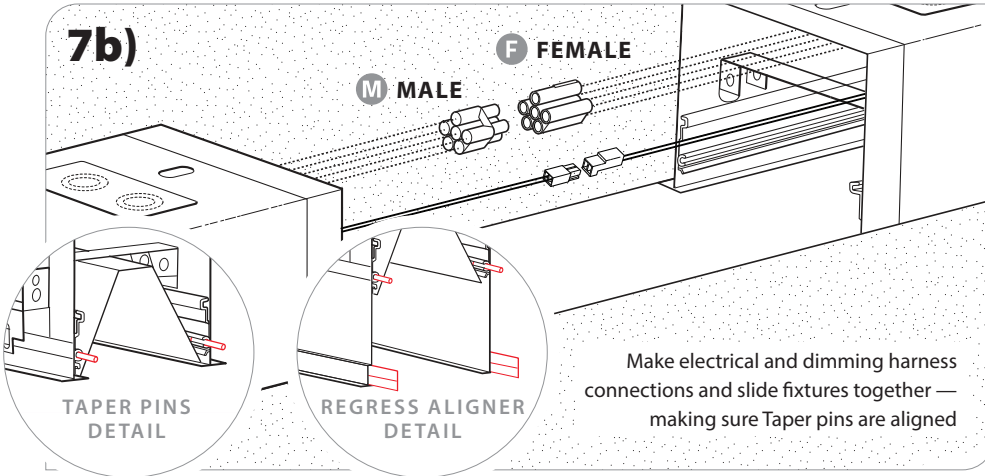
**6)** Install next fixture

**NOTE:** Taper Pins (→) are installed on **MALE** side of electrical power connections for easy alignment of continuous rows

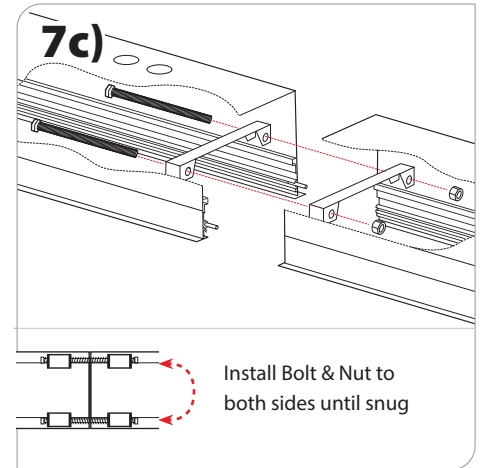
**M** MALE **F** FEMALE



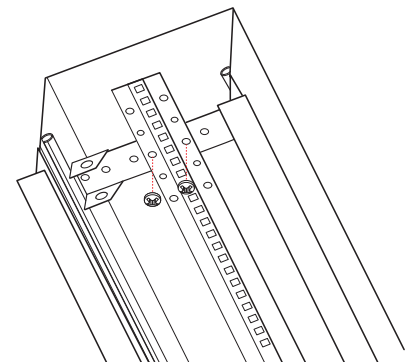
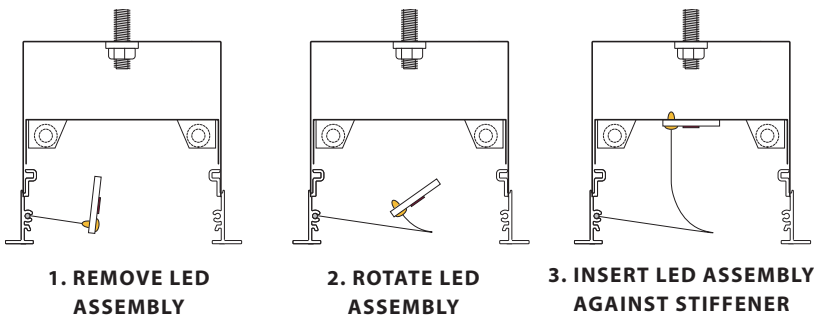
**7b)**



**7c)**



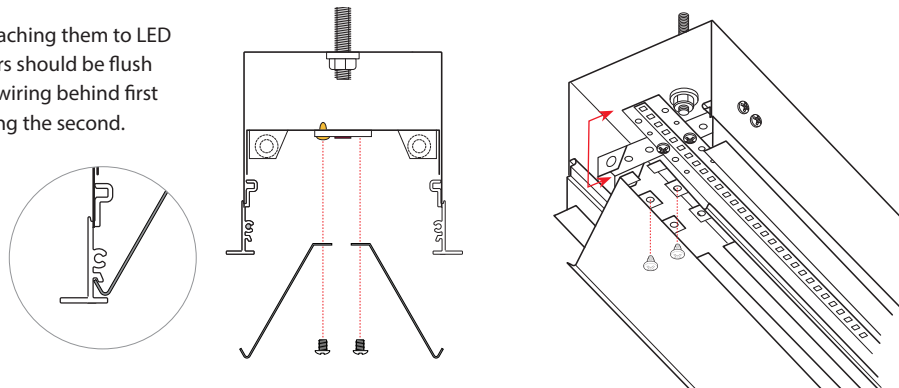
**8a)**



**8b)**

Install reflectors to fixture by attaching them to LED assembly using screws. Reflectors should be flush with end of LED assembly. Tuck wiring behind first installed reflector before installing the second.

Reflectors should be flush with end of LED assembly.



**WARNING:** Ground fixture in accordance with local and national electrical codes. Failure to do so may result in serious personal injury. Fixture Installations should ONLY be done by a qualified licensed electrical professional.

# Wet BionicPro | Recessed Linear

## X7 — Mud Over

### INSTALLATION INSTRUCTIONS



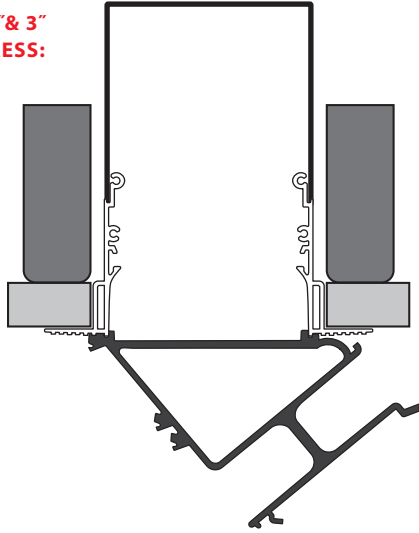
PRUDENTIAL LTG.

PRULITE.COM 213.746.0360

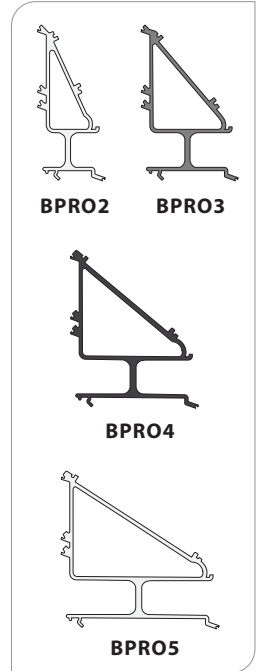
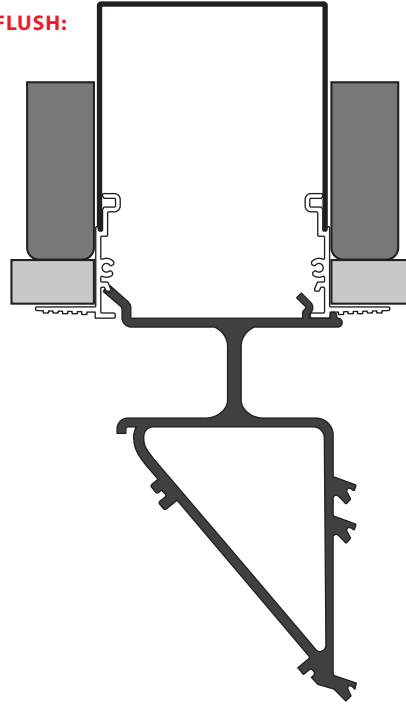
#### APERTURE GUIDES:

- 9)** Use the provided X7 Aperture Guide to insure that the X7 trim is installed at the correct width so that the lens fits correctly. Depending on the lens position (FLSH, REG.5, REG1, REG3), the tool will use a specific setting for the wall-side locking feature.

**½", 1" & 3" REGRESS:**



**FLUSH:**

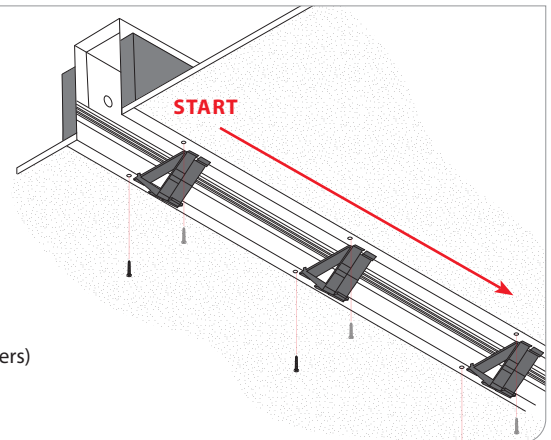
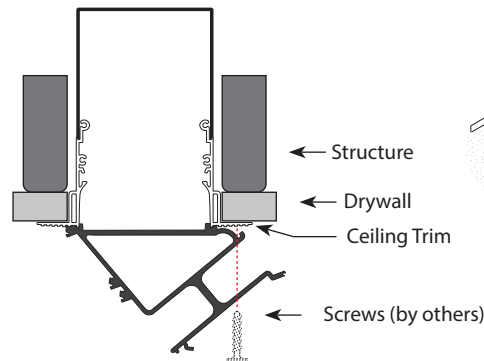


- 10)** Remove aperture guide and safety cable from fixture.

—  
Install the aperture guide at the location where the screws are to be installed.

—  
Once you finish with that pair of screws, slide the aperture guide to the next screw location.

—  
Repeat until all screws are installed.



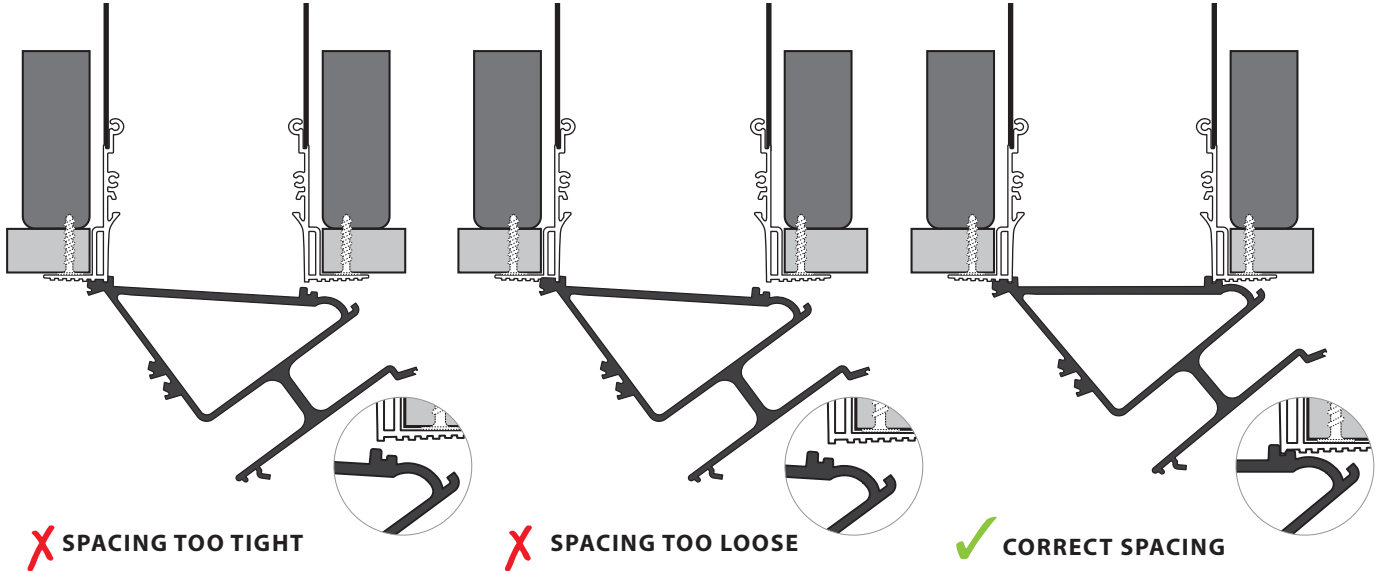
**WARNING:** Ground fixture in accordance with local and national electrical codes. Failure to do so may result in serious personal injury. Fixture Installations should ONLY be done by a qualified licensed electrical professional.

**USA** Prudential Ltg. reserves the right to change design specifications or materials without notice. Please visit [prulite.com](http://prulite.com) for most current data. © 2025 All rights reserved—All products manufactured at: Prudential Ltg. 1774 E. 21<sup>st</sup> Street, Los Angeles, CA 90058



- 12)** Slide the aperture guide along the length of the fixture to ensure that there is continuous engagement between the guide and fixture aperture. If there is any disengagement, or the aperture guide gets stuck or hard to slide, remove screws in that area, adjust width, and reattach screws.

Check again with the aperture guide and make adjustments until the guide slides easily along the length of the fixture.



**WARNING:** Failure to follow this step will result in lens fit issues in the final assembly.

- 13)** Finish ceiling (tape, mud, sand, paint).

**WARNING:** Ground fixture in accordance with local and national electrical codes. Failure to do so may result in serious personal injury. Fixture Installations should ONLY be done by a qualified licensed electrical professional.



INSTALLATION  
VIDEO



PRUDENTIAL LTG.

PRULITE.COM 213.746.0360

## LENS INSTALLATION

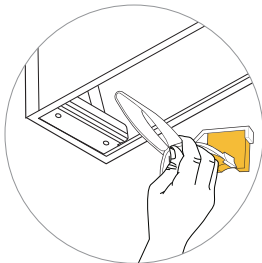
**REQUIRES TWO PEOPLE TO INSTALL**

**⚠️ PRIOR TO INSTALLING LENS, ENERGIZE LEDS AND CONFIRM ALL ARE PROPERLY LIT BEFORE INSTALLING LENS**

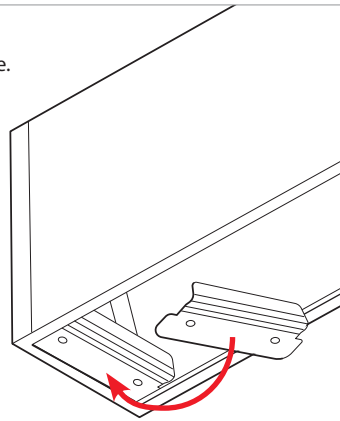
**RECOMMENDED:** Start lens installation from *LEFT* to *RIGHT*.



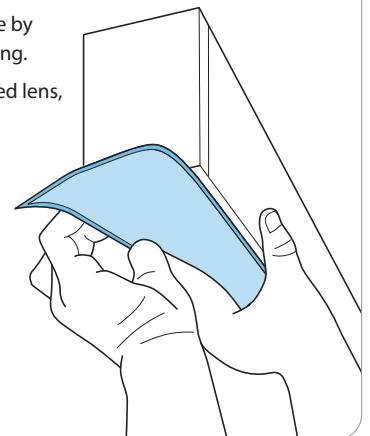
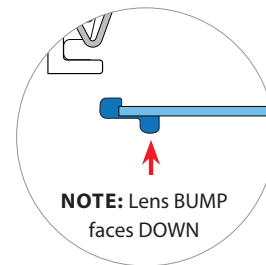
**1)** Insert clamp brackets at the **START** and **END** of the fixture.



Use handle of 'Lens Tool' to tap bracket into place



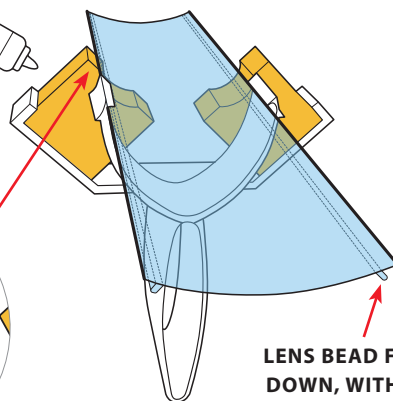
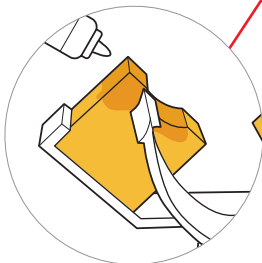
**2)** Insert lens into start of fixture by hand with an extra 3" overhang. Squeeze one edge of gasketed lens, then the other.



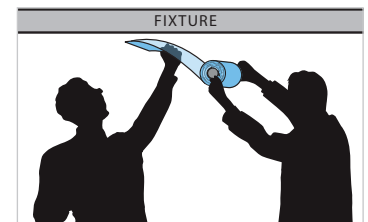
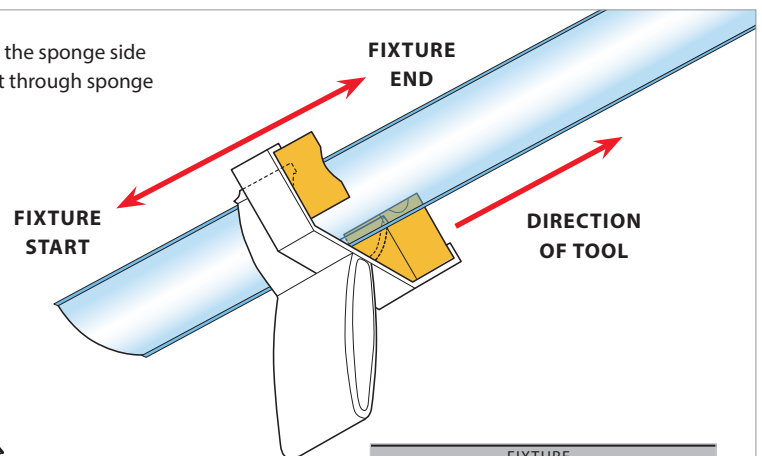
**3)** With lens partially inserted into fixture, snap lens into lens tool with the sponge side of tool facing the opposite end of fixture. Guide edges of lens gasket through sponge grooves. Apply lens lube liberally to sponge grooves on both sides.

Lens Lube

**APPLY LENS LUBE TO SPONGE IN GROOVED AREAS**



**LENS BEAD FACING DOWN, WITH LENS BOWED OUT**



**WARNING:** Ground fixture in accordance with local and national electrical codes. Failure to do so may result in serious personal injury. Fixture Installations should **ONLY** be done by a qualified licensed electrical professional.



Prudential Ltg. reserves the right to change design specifications or materials without notice. Please visit [prulite.com](http://prulite.com) for most current data. © 2025 All rights reserved—All products manufactured at: Prudential Ltg. 1774 E. 21<sup>st</sup> Street, Los Angeles, CA 90058



INSTALLATION  
VIDEO



PRUDENTIAL LTG.

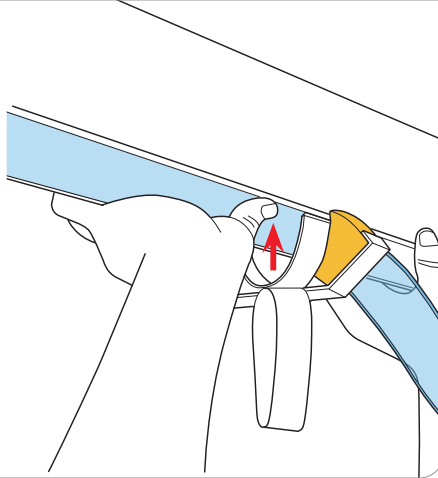
PRULITE.COM 213.746.0360

### LENS INSTALLATION

**REQUIRES TWO PEOPLE TO INSTALL**

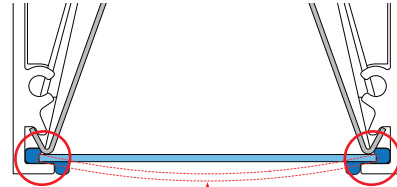
#### 4a)

With lens inserted into tool, squeeze and push tool tabs into slots in fixture opening.



#### 4b)

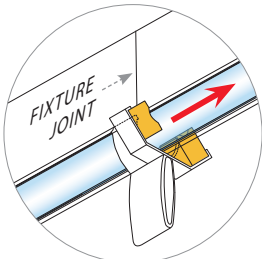
Apply pressure to the middle of the lens where it is bowed out. This will push the gasket into the lens slot. Ensure that the gasket is pressed firmly against the inside fixture lip.



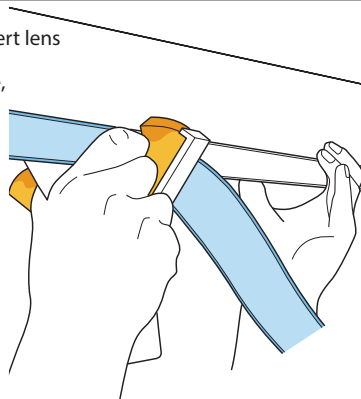
PUSH LENS FLAT WHERE IT IS BOWED OUT  
GASKET BEAD MUST BE PRESSED UP  
AGAINST INSIDE FIXTURE LIP

#### 5) Slide Lens Tool forward to insert lens

**NOTE:** Keep Lens Tool square,  
**DO NOT** twist.

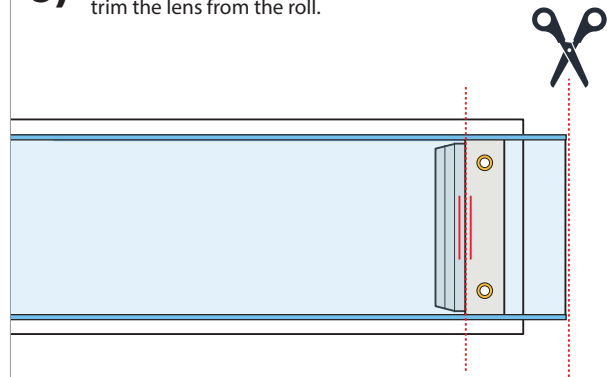


**NOTE:** Slow down  
sliding at fixture joints.



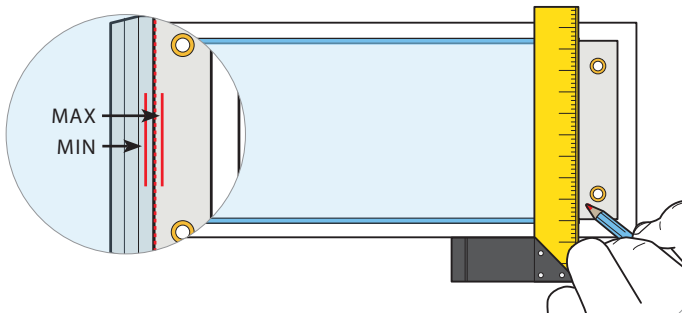
REAPPLY LUBRICANT  
TO SPONGES AS NEEDED.

#### 6) Leaving an inch of lens at the END of the fixture, trim the lens from the roll.



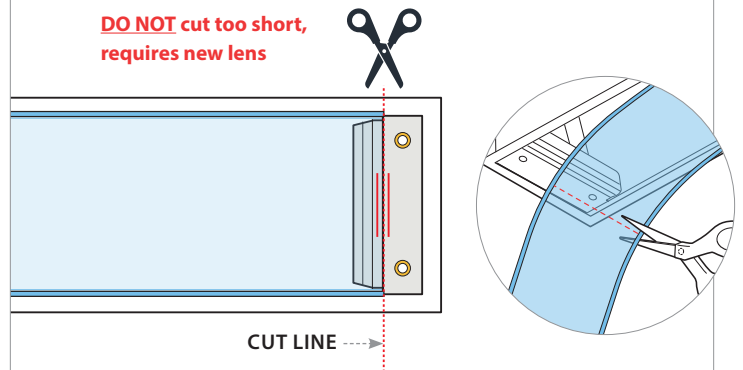
#### 7) Using Square, mark side of fixture where to cut lens within 1/8" safety zone Transfer CUT LINE to Lens, using square draw CUT LINE across lens

**NOTE:** Mark as close to end cap as possible (max line)



#### 8) **CUT LENS:** In order to not cut lens too short, it is easier to make multiple cuts that are gradually closer to marked line.

**DO NOT** cut too short,  
requires new lens



**WARNING:** Ground fixture in accordance with local and national electrical codes. Failure to do so may result in serious personal injury  
Fixture Installations should ONLY be done by a qualified licensed electrical professional.



Prudential Ltg. reserves the right to change design specifications or materials without notice. Please visit [prulite.com](http://prulite.com) for most current data.  
© 2025 All rights reserved—All products manufactured at: Prudential Ltg. 1774 E. 21<sup>st</sup> Street, Los Angeles, CA 90058

# Wet BionicPro | Recessed Linear X7 — Mud Over

## INSTALLATION INSTRUCTIONS



INSTALLATION  
VIDEO



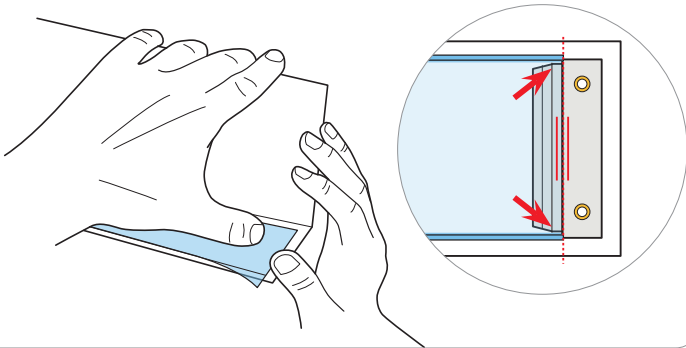
PRUDENTIAL LTG.

PRULITE.COM 213.746.0360

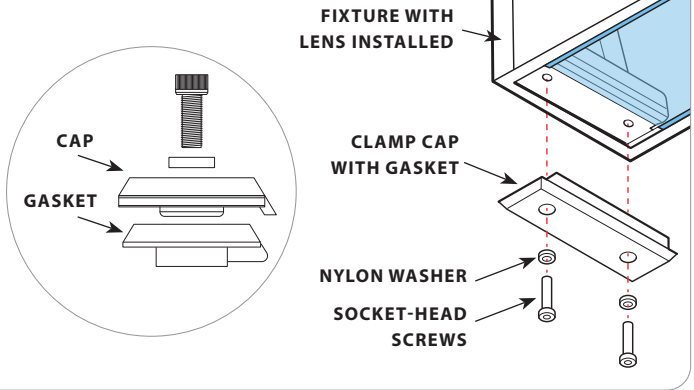
## LENS INSTALLATION

**REQUIRES TWO PEOPLE TO INSTALL**

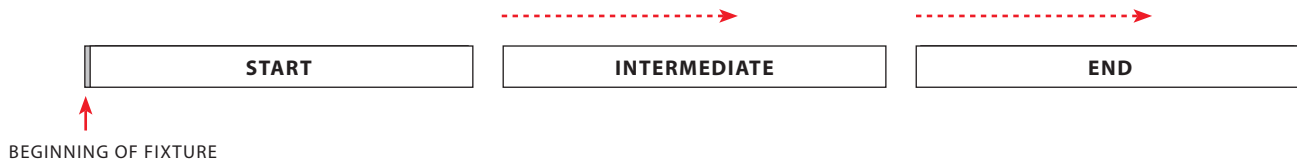
- 9)** As you near the end of the fixture, remove lens tool and install remaining lens by hand. Tuck the end sections of gasket between the bracket and the inside of the lens opening.



- 10)** Install Clamp cap with gasket using  $\frac{7}{64}$ " HEX socket. Hand tighten screws.



- 10)** Repeat lens trimming and clamp cap installation at beginning of fixture.



**WARNING:** Ground fixture in accordance with local and national electrical codes. Failure to do so may result in serious personal injury. Fixture Installations should ONLY be done by a qualified licensed electrical professional.

# Wet BionicPro | Recessed Linear

## X7 — Mud Over

### INSTALLATION INSTRUCTIONS



PRUDENTIAL LTG.

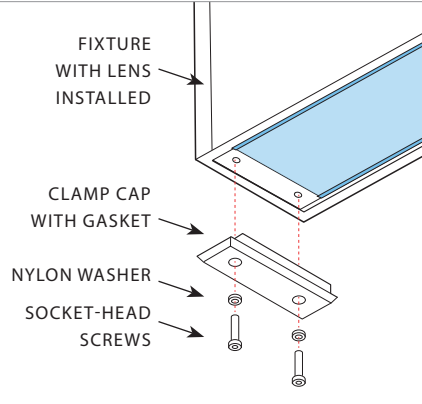
PRULITE.COM 213.746.0360

## LENS REMOVAL

**REQUIRES TWO PEOPLE TO INSTALL**

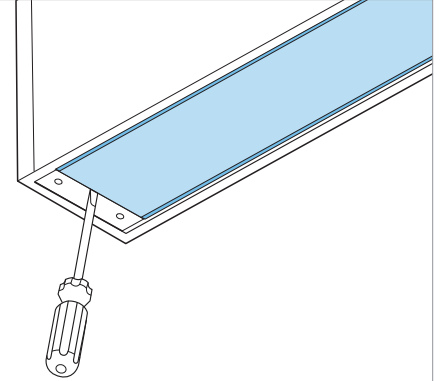
**1)**

Use a  $\frac{7}{64}$ " hex wrench to remove socket head screws to release Clamp Caps from both ends of fixture.



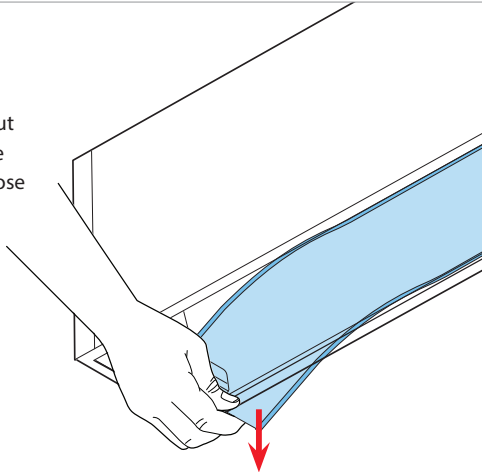
**2)**

Pry the lens loose at the end with a small slotted screwdriver just enough to make some space between the lens and the bracket



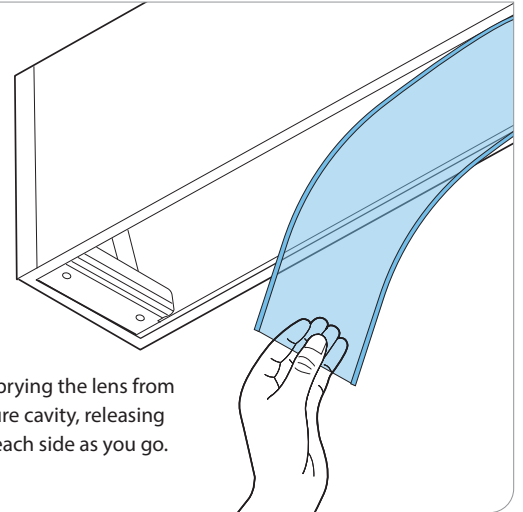
**3)**

Use your fingers to gently pry the lens out from the center while pulling the gasket loose from the lens slot.



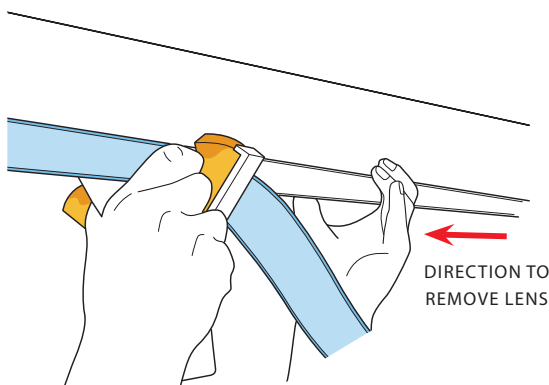
**4)**

Continue slowly prying the lens from inside of the fixture cavity, releasing the gasket from each side as you go.



**5)**

Feed lens into lubricated tool and slowly reverse direction of install, pulling lens out as you go.



**WARNING:** Ground fixture in accordance with local and national electrical codes. Failure to do so may result in serious personal injury. Fixture Installations should ONLY be done by a qualified licensed electrical professional.



Prudential Ltg. reserves the right to change design specifications or materials without notice. Please visit [prulite.com](http://prulite.com) for most current data. © 2025 All rights reserved—All products manufactured at: Prudential Ltg. 1774 E. 21<sup>st</sup> Street, Los Angeles, CA 90058