

BionicPro2 Mini Remote | Linear SSC + RSC Stem Mount





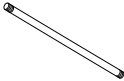







INSTALLATION INSTRUCTIONS

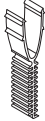

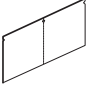

X3 — HARD CEILING




PRUDENTIAL LTG.

PRULITE.COM 213.746.0360

PART	PART NO.	DESCRIPTION
CANOPY ASSEMBLY:		
	100-00025-29	Canopy Body
	100-00277-03	Canopy Cover
	100-01163-10	Black Flex Boot
	100-01164-10	White Flex Boot
	100-00273-03	SSC (Swivel) Canopy Yoke
	100-00274-03	SSC (Swivel) Center Block
	100-00275-03	SSC (Swivel) Canopy Stem Yoke
	100-00305-03	RSC (Rigid) Canopy Yoke
	100-00120-07	Install Assist Hook
	169332	Installation Sub Plate (1 x Powered Canopy)
	100-00134-14	#10 x 3/4" Screw
		3/8" IPS Threaded Stem (Stems ordered over 8' will be provided in two pieces connected by a coupler)
	100-00058-20	Stem Coupler (Stems over 8' only)
	183548	Cover Install Tool
	100-00283-14	1/4-20 x 5.0 Round Head Combination Drive Machine Screw
	100-00255-14	1/4-20 KEPS Lock Nut
	100-00302-03	SSC/RSC Lock Nut (1 x Stem)
	100-00464-17	SSC/RSC Lock Nut Gasket (Thick) (1 x Stem)
	100-00463-17	SSC/RSC Lock Nut Friction Ring (Thin) (1 x Stem)

PART	PART NO.	DESCRIPTION
BIONICPRO LENS TOOL:		
	100-00462-10	2" — BionicPro Lens Tool — White
	100-00040-20	Tape Strips
	100-01177-10	Seam Reflector
	82484	Lens Removal Tool (maintenance only)

PARTS LIST	SIZE	PART NO.				
LENSES:		SAL	BTW	PFL/WWG	MGZ	WGZ
	2" —	100-00966-18	100-00961-18	100-00978-18	100-01004-18	100-00988-18

WARNING: Ground fixture in accordance with local and national electrical codes. Failure to do so may result in serious personal injury. Fixture installations should ONLY be done by a qualified licensed electrical professional.

BionicPro2 Mini Remote | Linear SSC + RSC Stem Mount

INSTALLATION INSTRUCTIONS

X3 — HARD CEILING

STEM (RRC/SSC) — MOUNTING



INDIVIDUAL:

Fixture Length	STEM LOCATIONS	
	Start / Individual	Intermediate / End
2'	24"	24"
3'	33 $\frac{3}{8}$ "	36"
4'	45 $\frac{3}{8}$ "	48"
5'	57 $\frac{3}{8}$ "	60"
6'	69 $\frac{3}{8}$ "	72"
7'	81 $\frac{3}{8}$ "	84"
8'	93 $\frac{3}{8}$ "	96"

R/SSC — STEM

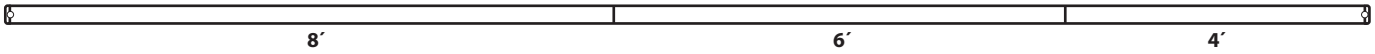
WARNING: Ground fixture in accordance with local and national electrical codes. Failure to do so may result in serious personal injury. Fixture Installations should ONLY be done by a qualified licensed electrical professional.

BionicPro2 Mini Remote | Linear SSC + RSC Stem Mount

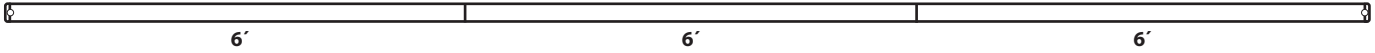
INSTALLATION INSTRUCTIONS



18' STANDARD ROW LENGTH:



18' SYMMETRIC ROW LENGTH (SRL):



STANDARD

ROW LENGTH		
9'	5+4	5FT STR + 4FT END
10'	6+4	6FT STR + 4FT END
11'	7+4	7FT STR + 4FT END
12'	8+4	8FT STR + 4FT END
13'	8+5	8FT STR + 5FT END
14'	8+6	8FT STR + 6FT END
15'	8+7	8FT STR + 7FT END
16'	8+8	8FT STR + 8FT END
17'	8+5+4	8FT STR + 5FT INT + 4FT END
18'	8+6+4	8FT STR + 6FT INT + 4FT END
19'	8+7+4	8FT STR + 7FT INT + 4FT END
20'	8+8+4	8FT STR + 8FT INT + 4FT END
21'	8+8+5	8FT STR + 8FT INT + 5FT END
22'	8+8+6	8FT STR + 8FT INT + 6FT END
23'	8+8+7	8FT STR + 8FT INT + 7FT END
24'	8+8+8	8FT STR + 8FT INT + 8FT END
25'	8+8+5+4	8FT STR + 8FT INT + 5FT INT + 4FT END
26'	8+8+6+4	8FT STR + 8FT INT + 6FT INT + 4FT END
27'	8+8+7+4	8FT STR + 8FT INT + 7FT INT + 4FT END
28'	8+8+8+4	8FT STR + (2) 8FT INT + 4FT END
29'	8+8+8+5	8FT STR + (2) 8FT INT + 5FT END
30'	8+8+8+6	8FT STR + (2) 8FT INT + 6FT END
31'	8+8+8+7	8FT STR + (2) 8FT INT + 7FT END
32'	8+8+8+8	8FT STR + (2) 8FT INT + 8FT END
33'	8+8+8+5+4	8FT STR + (2) 8FT INT + 5FT INT + 4FT END
34'	8+8+8+6+4	8FT STR + (2) 8FT INT + 6FT INT + 4FT END
35'	8+8+8+7+4	8FT STR + (2) 8FT INT + 7FT INT + 4FT END
36'	8+8+8+8+4	8FT STR + (3) 8FT INT + 4FT END
37'	8+8+8+8+5	8FT STR + (3) 8FT INT + 5FT END
38'	8+8+8+8+6	8FT STR + (3) 8FT INT + 6FT END
39'	8+8+8+8+7	8FT STR + (3) 8FT INT + 7FT END
40'	8+8+8+8+8	8FT STR + (3) 8FT INT + 8FT END
41'	8+8+8+8+5+4	8FT STR + (3) 8FT INT + 5FT INT + 4FT END
42'	8+8+8+8+6+4	8FT STR + (3) 8FT INT + 6FT INT + 4FT END
43'	8+8+8+8+7+4	8FT STR + (3) 8FT INT + 7FT INT + 4FT END
44'	8+8+8+8+8+4	8FT STR + (4) 8FT INT + 4FT END
45'	8+8+8+8+8+5	8FT STR + (4) 8FT INT + 5FT END
46'	8+8+8+8+8+6	8FT STR + (4) 8FT INT + 6FT END
47'	8+8+8+8+8+7	8FT STR + (4) 8FT INT + 7FT END
48	8+8+8+8+8+8	8FT STR + (4) 8FT INT + 8FT END
49'	8+8+8+8+8+5+4	8FT STR + (4) 8FT INT + 5FT INT + 4FT END
50'	8+8+8+8+8+6+4	8FT STR + (4) 8FT INT + 6FT INT + 4FT END

SYMMETRICAL

ROW LENGTH		
9'	3+3+3	3FT STR + 3FT INT + 3FT END
10'	5+5	5FT STR + 5FT END
11'	4+3+4	4FT STR + 3FT INT + 4FT END
12'	6+6	6FT STR + 6FT END
13'	4+5+4	4FT STR + 5FT INT + 4FT END
14'	7+7	7FT STR + 7FT END
15'	5+5+5	5FT STR + 5FT INT + 5FT END
16'	8+8	8FT STR + 8FT END
17'	6+5+6	6FT STR + 5FT INT + 6FT END
18'	6+6+6	6FT STR + 6FT INT + 6FT END
19'	6+7+6	6FT STR + 7FT INT + 6FT END
20'	8+4+8	8FT STR + 4FT INT + 8FT END
21'	8+5+8	8FT STR + 5FT INT + 8FT END
22'	8+6+8	8FT STR + 6FT INT + 8FT END
23'	8+7+8	8FT STR + 7FT INT + 8FT END
24'	8+8+8	8FT STR + 8FT INT + 8FT END
25'	6+4+5+4+6	6FT STR + 4FT INT + 5FT INT + 4FT INT + 6FT END
26'	8+5+5+8	8FT STR + (2) 5FT INT + 8FT END
27'	6+5+5+5+6	6FT STR + (3) 5FT INT + 6FT END
28'	8+6+6+8	8FT STR + (2) 6FT INT + 8FT END
29'	8+4+5+4+8	8FT STR + 4FT INT + 5FT INT + 4FT INT + 8FT END
30'	8+7+7+8	8FT STR + (2) 7FT INT + 8FT END
31'	8+5+5+5+8	8FT STR + (3) 5FT INT + 8FT END
32'	8+8+8+8	8FT STR + (2) 8FT INT + 8FT END
33'	8+6+5+6+8	8FT STR + 6FT INT + 5FT INT + 6FT INT + 8FT END
34'	8+6+6+6+8	8FT STR + 6FT INT + 6FT INT + 6FT INT + 8FT END
35'	8+6+7+6+8	8FT STR + 6FT INT + 7FT INT + 6FT INT + 8FT END
36'	8+8+4+8+8	8FT STR + 8FT INT + 4FT INT + 8FT INT + 8FT END
37'	8+8+5+8+8	8FT STR + 8FT INT + 5FT INT + 8FT INT + 8FT END
38'	8+8+6+8+8	8FT STR + 8FT INT + 6FT INT + 8FT INT + 8FT END
39'	8+8+7+8+8	8FT STR + 8FT INT + 7FT INT + 8FT INT + 8FT END
40'	8+8+8+8+8	8FT STR + (3) 8FT INT + 8FT END
41'	8+6+4+5+4+6+8	8FT STR + 6FT INT + 4FT INT + 5FT INT + 4FT INT + 6FT INT + 8FT END
42'	8+8+5+5+8+8	8FT STR + 8FT INT + (2) 5FT INT + 8FT INT + 8FT END
43'	8+6+5+5+5+6+8	8FT STR + 6FT INT + (3) 5FT INT + 6FT INT + 8FT END
44'	8+8+6+6+8+8	8FT STR + 8FT INT + (2) 6FT INT + 8FT INT + 8FT END
45'	8+8+4+5+4+8+8	8FT STR + 8FT INT + 4FT INT + 5FT INT + 4FT INT + 8FT INT + 8FT END
46'	8+8+7+7+8+8	8FT STR + 8FT INT + (2) 7FT INT + 8FT INT + 8FT END
47'	8+8+5+5+5+8+8	8FT STR + 8FT INT + (3) 5FT INT + 8FT INT + 8FT END
48	8+8+8+8+8+8	8FT STR + (4) 8FT INT + 8FT END
49'	8+8+6+5+6+8+8	8FT STR + 8FT INT + 6FT INT + 5FT INT + 6FT INT + 8FT INT + 8FT END
50'	8+8+6+6+6+8+8	8FT STR + 8FT INT + (3) 6FT INT + 8FT INT + 8FT END



BionicPro2 Mini Remote | Linear SSC + RSC Stem Mount

INSTALLATION INSTRUCTIONS

X3 — HARD CEILING

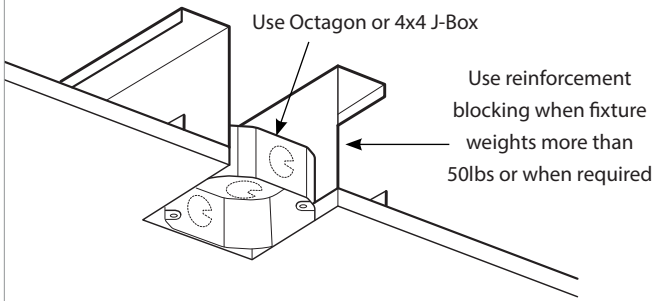


PRUDENTIAL LTG.

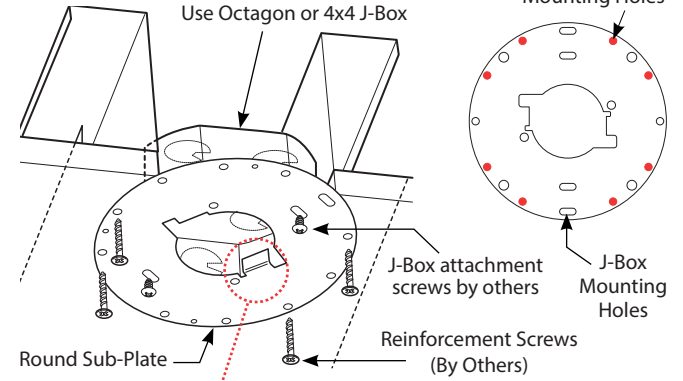
PRULITE.COM 213.746.0360

REQUIRES TWO PEOPLE TO INSTALL

1) Check Ceiling Condition.

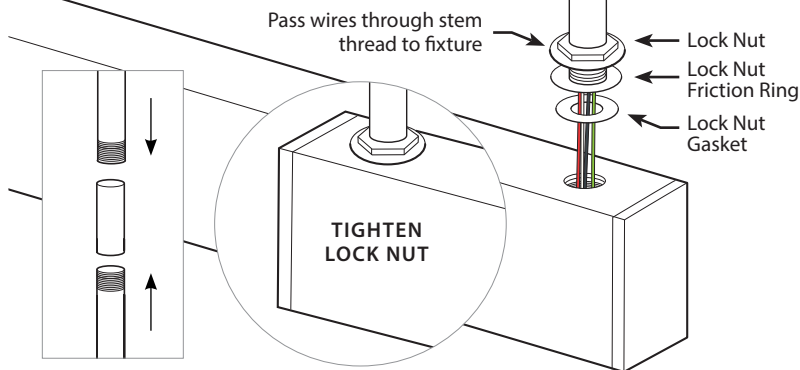


2) Install Round Sub-Plate to J-Box.

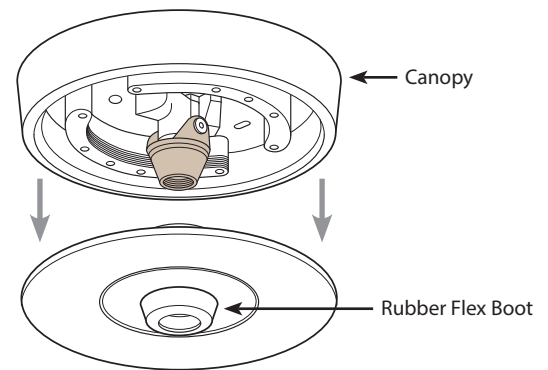


BE SURE TABS ARE POINTING UP

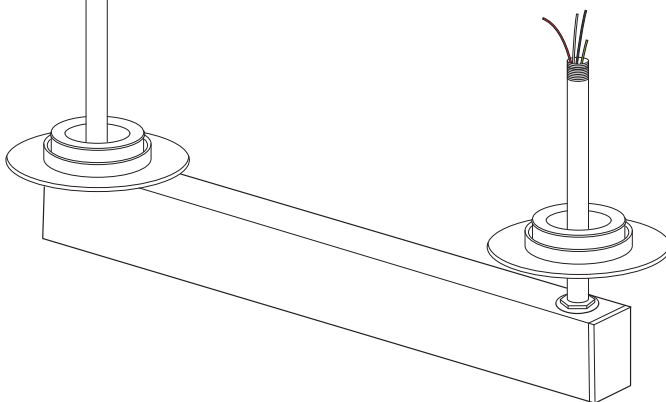
3) Assemble stem to fixture. If total stem is longer than 8', join stems together with coupler provided.



4) Remove Canopy Cover & Rubber Flex from Canopy.

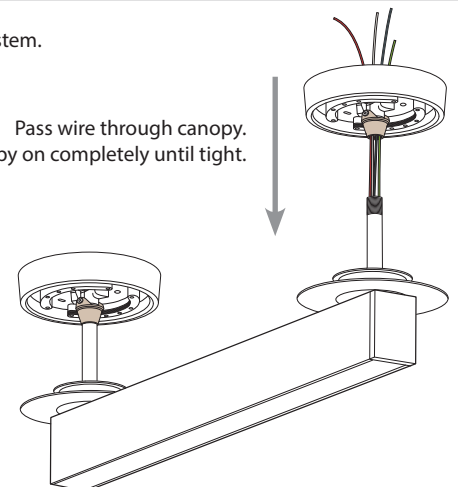


5) Place canopy cover and flex boot over stem and rest on top of fixture.



6) Attach canopy to stem.

Pass wire through canopy.
Screw canopy on completely until tight.



WARNING: Ground fixture in accordance with local and national electrical codes. Failure to do so may result in serious personal injury. Fixture Installations should ONLY be done by a qualified licensed electrical professional.

BionicPro2 Mini Remote | Linear SSC + RSC Stem Mount

INSTALLATION INSTRUCTIONS

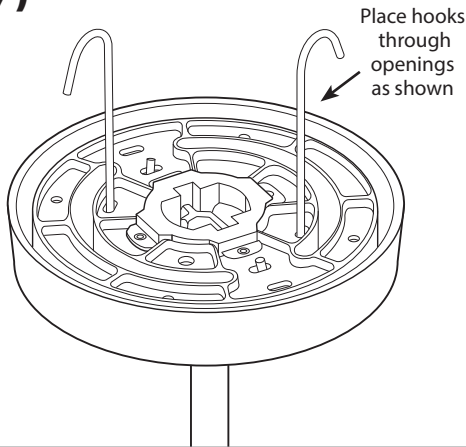
X3 — HARD CEILING



PRUDENTIAL LTG.

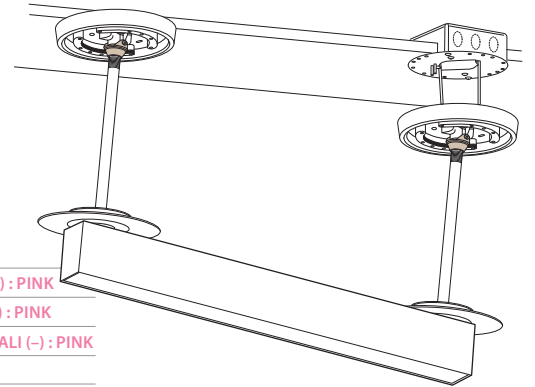
PRULITE.COM 213.746.0360

7) Insert installation hooks.



8) Hang fixture.

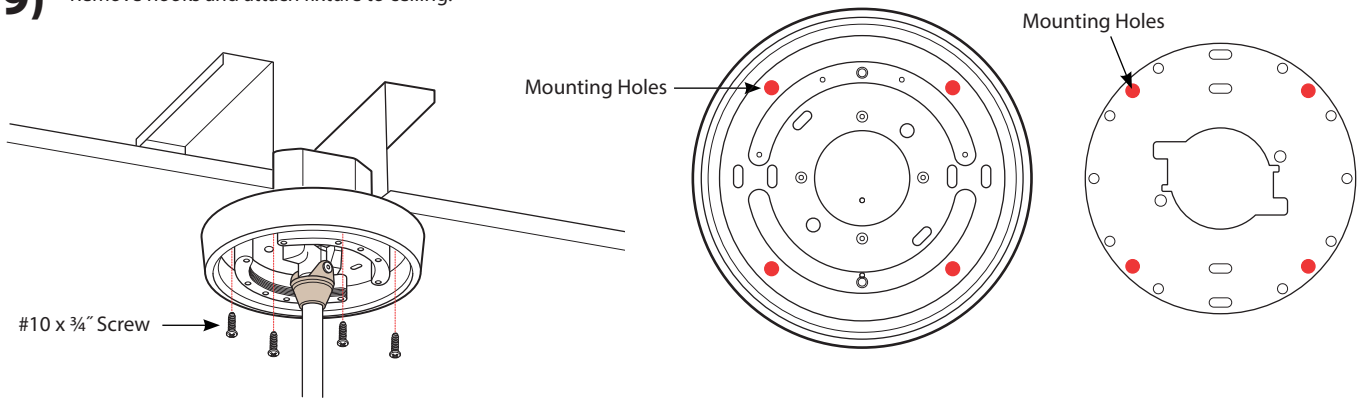
For non-powered canopy, fasten directly to structure (see step 9 for correct mounting holes)
For powered, use install assist hooks to temporarily hold canopy in place to wire fixture.



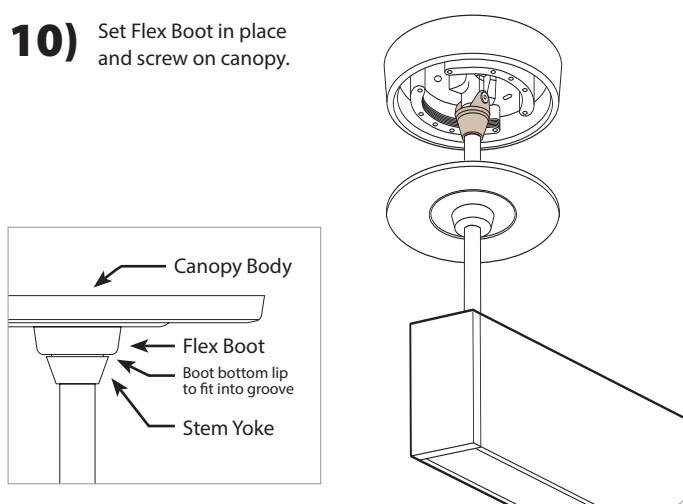
WIRING:

0-10V (+) : PURPLE	0-10V (-) : PINK
DALI (+) : PURPLE	DALI (-) : PINK
EcoSystem DALI (+) : PURPLE	EcoSystem DALI (-) : PINK
HOT : BLACK	
NEUTRAL : WHITE	
GROUND : GREEN	
CONSTANT HOT (EM) : RED	

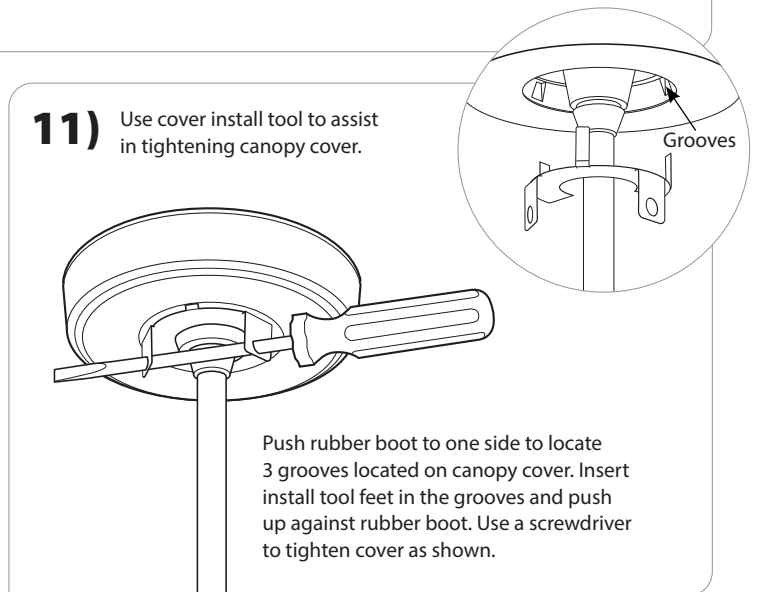
9) Remove hooks and attach fixture to ceiling.



10) Set Flex Boot in place and screw on canopy.



11) Use cover install tool to assist in tightening canopy cover.



Push rubber boot to one side to locate 3 grooves located on canopy cover. Insert install tool feet in the grooves and push up against rubber boot. Use a screwdriver to tighten cover as shown.

WARNING: Ground fixture in accordance with local and national electrical codes. Failure to do so may result in serious personal injury
Fixture Installations should ONLY be done by a qualified licensed electrical professional.

BionicPro2 Mini Remote | Linear SSC + RSC Stem Mount

INSTALLATION INSTRUCTIONS

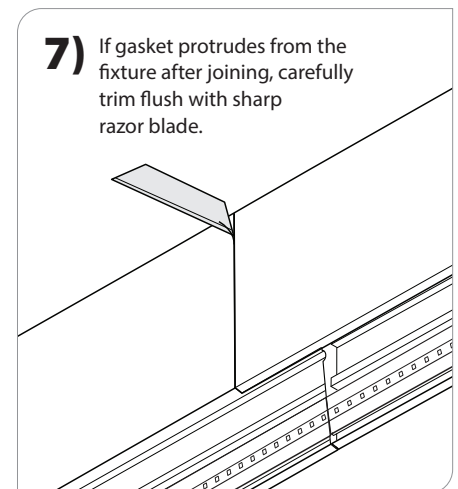
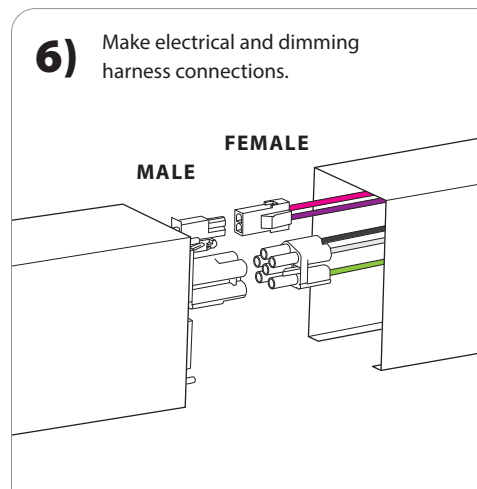
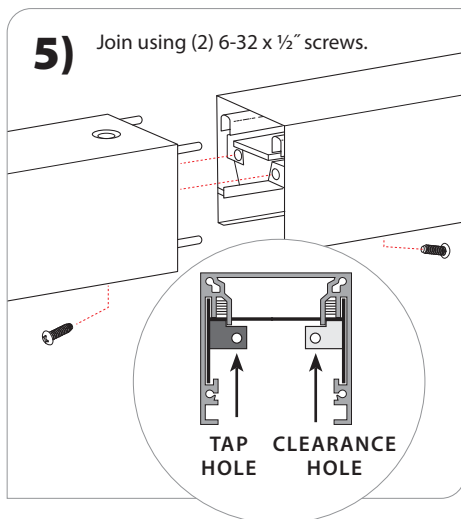
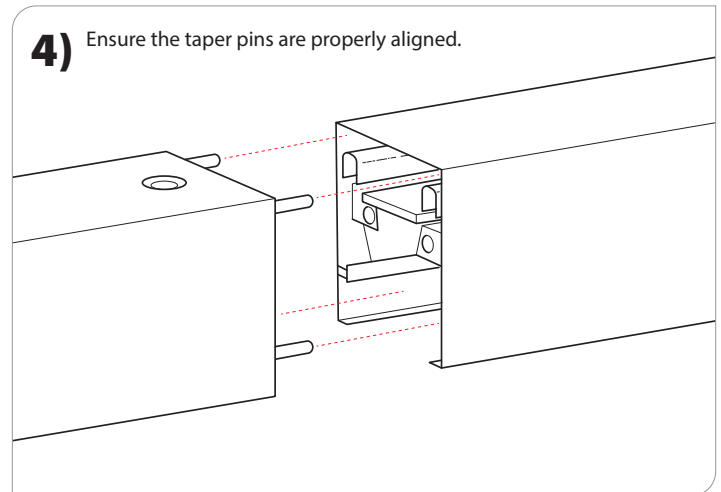
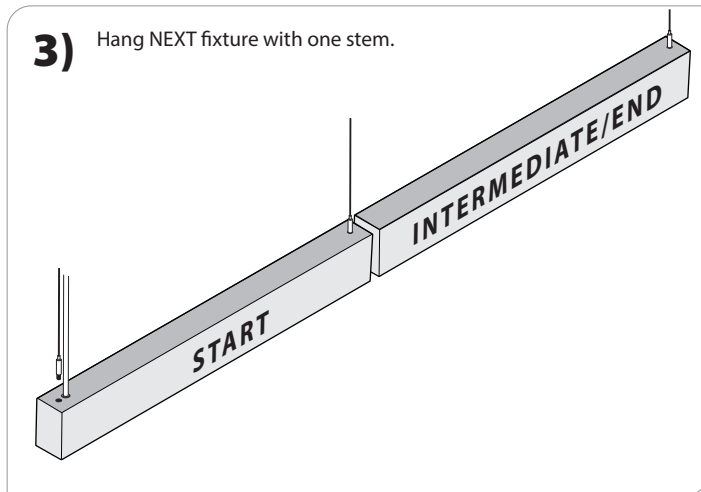
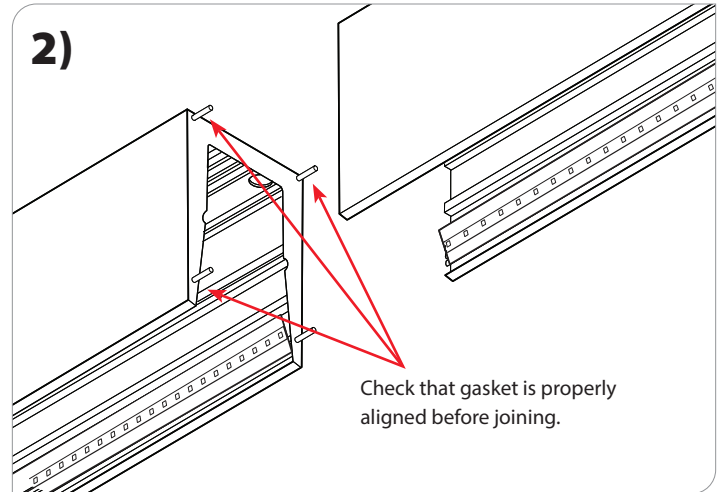
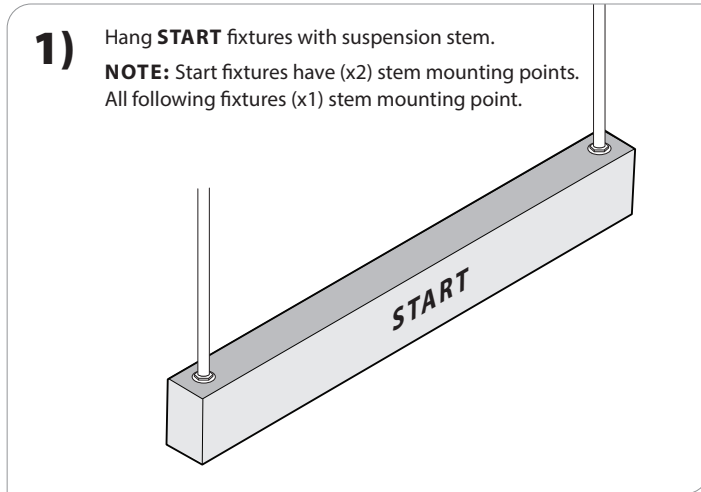


PRUDENTIAL LTG.

PRULITE.COM 213.746.0360

ROW FIXTURE INSTALL

⚠ DO NOT BUILD ROWS ON FLOOR TO HOIST **👤👤 REQUIRES TWO PEOPLE TO INSTALL** **POWER CORD SHIPPED ATTACHED**



BionicPro2 Mini Remote | Linear SSC + RSC Stem Mount

INSTALLATION INSTRUCTIONS

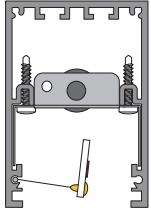


PRUDENTIAL LTG.

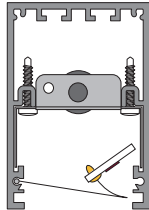
PRULITE.COM 213.746.0360

X3 — HARD CEILING

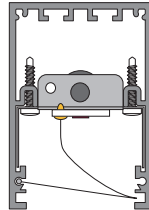
- 8)** Using 6-32 x 1/4" screws, attach LED tray assembly to stiffener brackets. LED assembly should be relatively flush with the end of the extrusion/body when installed correctly.



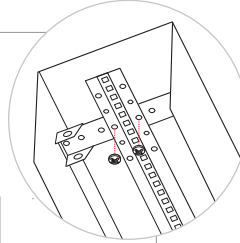
1. REMOVE LED ASSEMBLY



2. ROTATE LED ASSEMBLY

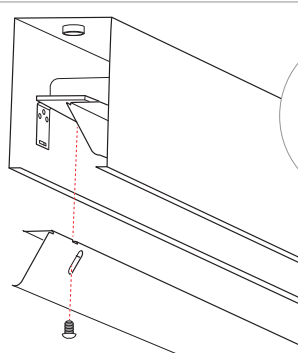
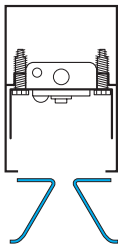


3. INSERT LED ASSEMBLY AGAINST STIFFENER



- 9)** Install reflectors to fixture by attaching them to LED assembly using 6-32 x 1/4" screws. Reflectors should be flush with end of LED assembly. Tuck wiring behind first installed reflector before installing the second. Reflectors should be flush with end of LED assembly.

BIONICPRO2 MINI



WARNING: Ground fixture in accordance with local and national electrical codes. Failure to do so may result in serious personal injury. Fixture installations should ONLY be done by a qualified licensed electrical professional.

BionicPro2 Mini Remote | Linear SSC + RSC Stem Mount

INSTALLATION INSTRUCTIONS

X3 — HARD CEILING



INSTALLATION
VIDEO

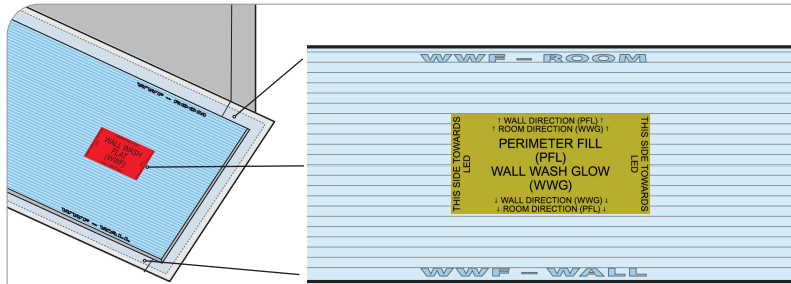


PRUDENTIAL LTG.

PRULITE.COM 213.746.0360

LENS INSTALLATION

⚠️ ENERGIZE ROWS TO ENSURE ALL LEDS ARE WORKING BEFORE INSTALL **👤 LENS REQUIRES TWO PEOPLE TO INSTALL**



LENS ORIENTATION

SAL – Satin lens has both sides the same, reversible, no orientation

BTW – Batwing shiny side UP, matte frosted side DOWN.

MGZ/WWF/WWG/PFL – Wall Wash and Perimeter lenses, ribbed side UP (they can be seen and felt).

NOTE: WWG and PFL are the same with opposite orientation

Stickers indicate WALL and ROOM sides, but the lens also has engraving indicating each as shown.

RECOMMENDED: Start lens installation from LEFT to RIGHT.



LENS INSTALLATION — IF ALL FIXTURES ARE ALREADY INSTALLED

- 1)** Measure 18" from end cap. Using a pencil, place a small mark on the fixture.
- 2)** Make sure lens is square.
- 3)** Install tape strip **TIGHTLY** approximately 16" from start.
- 4)** Insert lens into lens tool, then place just before **TIGHT** tape strip.

FOR BPRO2-REG3
Install clamp before inserting into fixture. Once installed in fixture, remove clamp and proceed to step 5.

WARNING: Ground fixture in accordance with local and national electrical codes. Failure to do so may result in serious personal injury. Fixture Installations should ONLY be done by a qualified licensed electrical professional.

BionicPro2 Mini Remote | Linear SSC + RSC Stem Mount

INSTALLATION INSTRUCTIONS

X3 — HARD CEILING

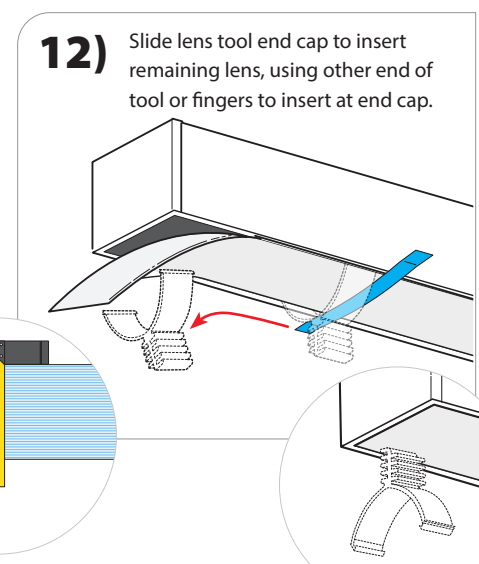
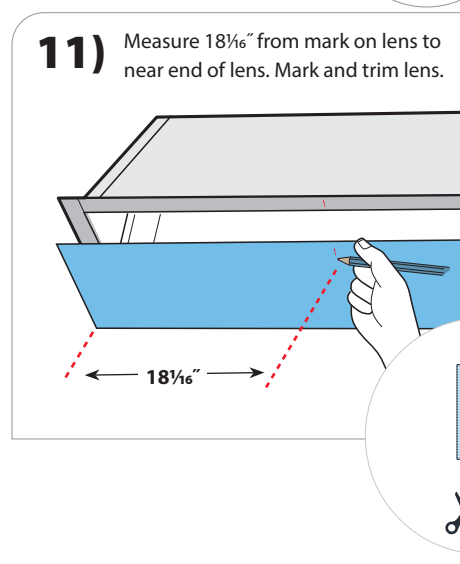
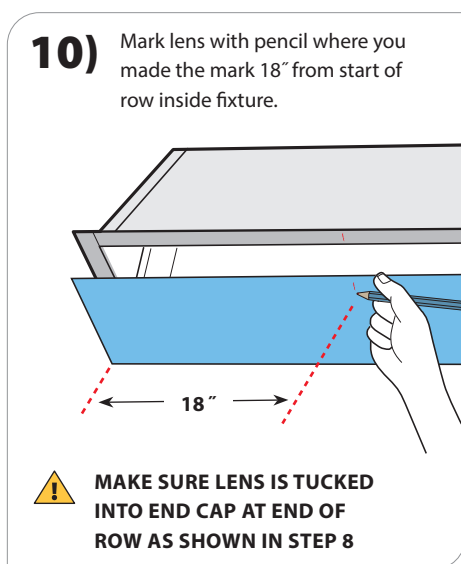
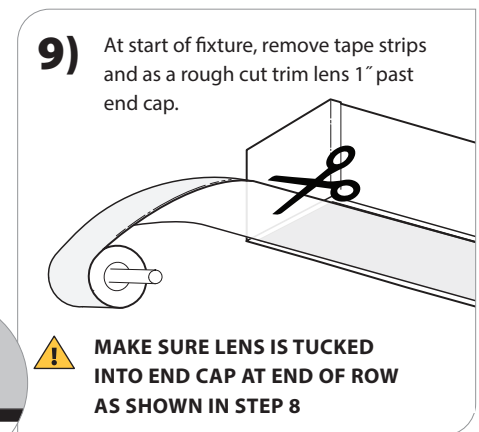
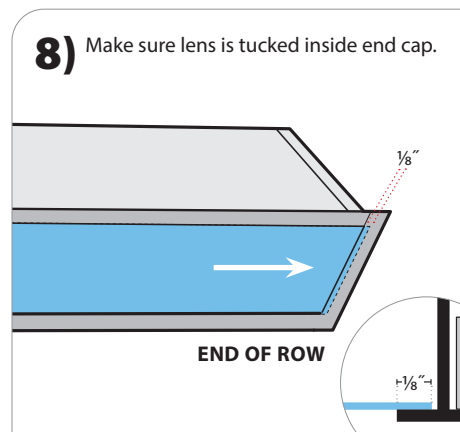
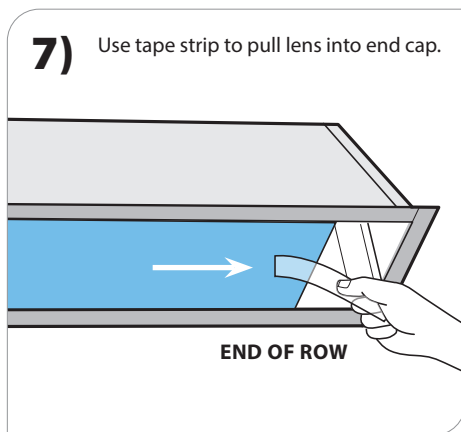
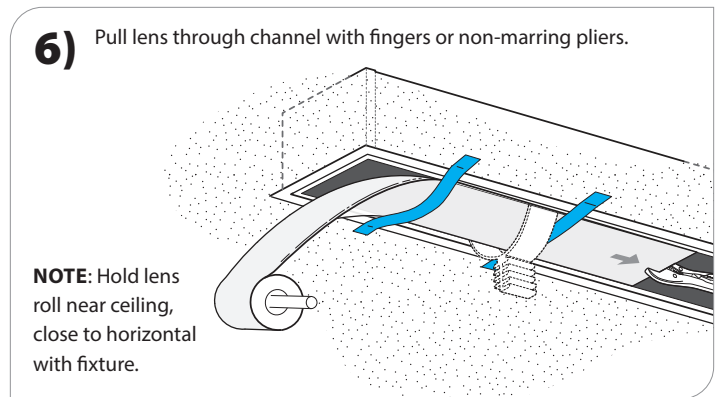
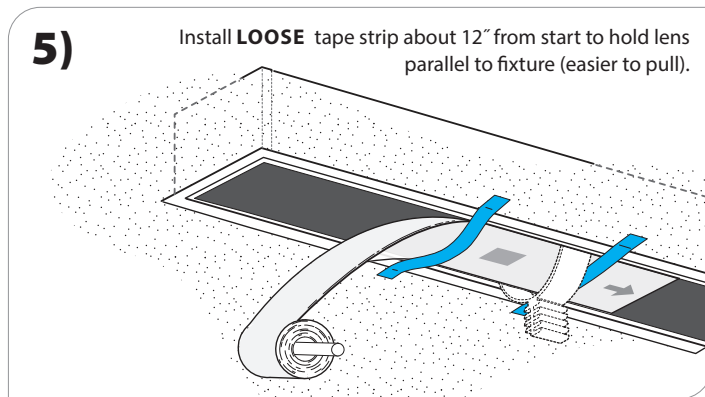


INSTALLATION
VIDEO



PRUDENTIAL LTG.

PRULITE.COM 213.746.0360



WARNING: Ground fixture in accordance with local and national electrical codes. Failure to do so may result in serious personal injury. Fixture Installations should ONLY be done by a qualified licensed electrical professional.