

# BionicPro2 Mini Integral | Linear Cable Hung (CA)

## INSTALLATION INSTRUCTIONS

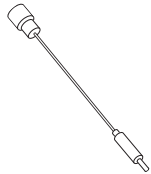


PRUDENTIAL LTG.

PRULITE.COM 213.746.0360

PART	PART NO.	DESCRIPTION
------	----------	-------------

### TOGGLE CABLE ASSEMBLY:



100-00207-08	53"	
100-00025-08	100"	Suspension Cables
100-00208-08	200"	

### METAL STRAIN RELIEF BUSHING



100-00450-14	LOW VOLTAGE	Remote ONLY
100-00262-14	3/4 WIRE	Integral ONLY
100-00264-14	5/6 WIRE	



100-00319-14	WHITE	Threaded Bushing
100-00316-14	BLACK	



100-00318-14	WHITE	5/8" Universal Bushing
100-00321-14	BLACK	



100-00320-14	WHITE	1/2" Snap Bushing
100-00322-14	BLACK	5/8" Snap Bushing



100-00358-14	BLACK	1/2" Snap Bushing
100-00356-14	WHITE	5/8" Snap Bushing



100-00008-14	1/4" x 5/16" Washer (Remote only)
--------------	-----------------------------------



100-00018-14	6-32 x 1/4" Screw
--------------	-------------------

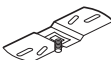


82484	Lens Removal Tool (maintenance only)
-------	--------------------------------------

### X3 ONLY:



100-00006-08	5 1/2" Ø NPF Canopy X3 (1 Hole)
--------------	---------------------------------



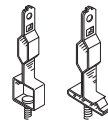
19031	Mounting Strap
-------	----------------

### X1/X2/X6 ONLY:



100-00078-07	2" Ø NPF Canopy X1, X2, X6 (1 Hole)
--------------	-------------------------------------

PART	PART NO.	DESCRIPTION
------	----------	-------------



100-00003-08	I.D.S. 95 Clip (X2, X6 — Optional)
--------------	------------------------------------

100-00004-08	I.D.S. Clip (X1 Standard)
--------------	---------------------------



100-00091-08	A.T. Clip
--------------	-----------



28975	5 1/2" Ø SPF Canopy (2 Hole)
-------	------------------------------



65392	5 1/2" Ø DPF Canopy (3 Hole)
-------	------------------------------



100-00284-14	1/2" x 1 1/8" IPT Brass Threaded Nipple
--------------	---



100-00239-14	1/2" IP Knurled Nut
--------------	---------------------



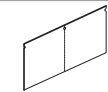
100-00114-14	1/4-20 x 3/4" Truss Head Screw
--------------	--------------------------------



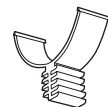
100-00283-14	1/4-20 x 5.0 Round Head Combination Drive Machine Screw
--------------	---



100-00255-14	1/4-20 KEPS Hex Nut
--------------	---------------------



100-00486-10	Seam Tape
--------------	-----------



100-00462-10	2" — BionicPro Lens Tool — White
100-00464-10	3" — BionicPro Lens Tool — Natural
100-00465-10	4" — BionicPro Lens Tool — Black
100-00463-10	5" — BionicPro Lens Tool — White



100-00040-20	Tape Strip
--------------	------------

PARTS LIST	SIZE	PART NO.	BTW	PFL/WWG	MGZ	WGZ
------------	------	----------	-----	---------	-----	-----

### LENSES:



2" —	100-00966-18	100-00961-18	100-00978-18	100-01004-18	100-00988-18
------	--------------	--------------	--------------	--------------	--------------

**WARNING:** Ground fixture in accordance with local and national electrical codes. Failure to do so may result in serious personal injury. Fixture installations should ONLY be done by a qualified licensed electrical professional.

# BionicPro2 Mini Integral | Linear

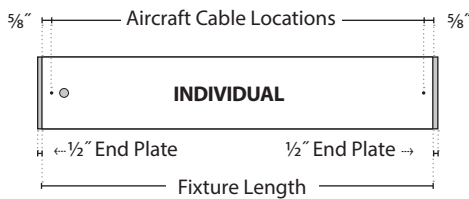
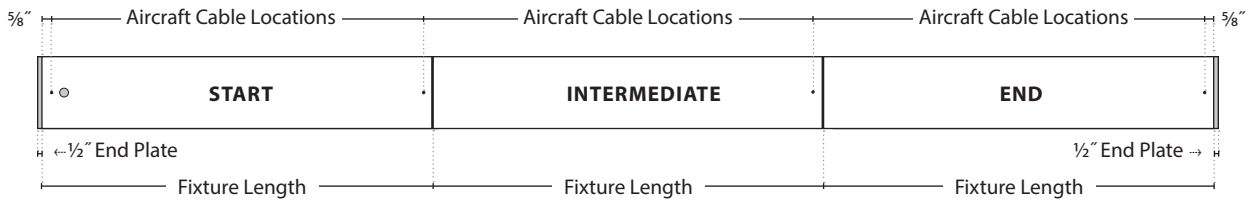
## Cable Hung (CA)

### INSTALLATION INSTRUCTIONS



#### MOUNTING LOCATIONS:

##### CABLE MOUNT



	FIXTURE LENGTHs		Aircraft cable locations	
	All	Start / Individual	Intermediate / End	
2'	24"	22 <sup>3</sup> / <sub>4</sub> "	24"	
3'	36"	34 <sup>3</sup> / <sub>4</sub> "	36"	
4'	48"	46 <sup>3</sup> / <sub>4</sub> "	48"	
5'	60"	58 <sup>3</sup> / <sub>4</sub> "	60"	
6'	72"	70 <sup>3</sup> / <sub>4</sub> "	72"	
7'	84"	82 <sup>3</sup> / <sub>4</sub> "	84"	
8'	96"	94 <sup>3</sup> / <sub>4</sub> "	96"	

**WARNING:** Ground fixture in accordance with local and national electrical codes. Failure to do so may result in serious personal injury. Fixture Installations should ONLY be done by a qualified licensed electrical professional.

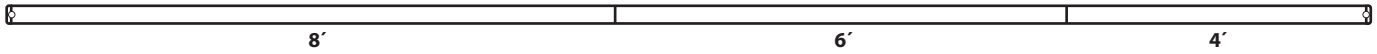
# BionicPro2 Mini Integral | Linear

## Cable Hung (CA)

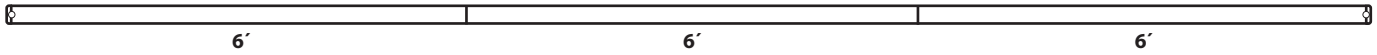
### INSTALLATION INSTRUCTIONS



#### 18' STANDARD ROW LENGTH:



#### 18' SYMMETRIC ROW LENGTH (SRL):



#### STANDARD

ROW LENGTH		
9'	5+4	5FT STR + 4FT END
10'	6+4	6FT STR + 4FT END
11'	7+4	7FT STR + 4FT END
12'	8+4	8FT STR + 4FT END
13'	8+5	8FT STR + 5FT END
14'	8+6	8FT STR + 6FT END
15'	8+7	8FT STR + 7FT END
16'	8+8	8FT STR + 8FT END
17'	8+5+4	8FT STR + 5FT INT + 4FT END
18'	8+6+4	8FT STR + 6FT INT + 4FT END
19'	8+7+4	8FT STR + 7FT INT + 4FT END
20'	8+8+4	8FT STR + 8FT INT + 4FT END
21'	8+8+5	8FT STR + 8FT INT + 5FT END
22'	8+8+6	8FT STR + 8FT INT + 6FT END
23'	8+8+7	8FT STR + 8FT INT + 7FT END
24'	8+8+8	8FT STR + 8FT INT + 8FT END
25'	8+8+5+4	8FT STR + 8FT INT + 5FT INT + 4FT END
26'	8+8+6+4	8FT STR + 8FT INT + 6FT INT + 4FT END
27'	8+8+7+4	8FT STR + 8FT INT + 7FT INT + 4FT END
28'	8+8+8+4	8FT STR + (2) 8FT INT + 4FT END
29'	8+8+8+5	8FT STR + (2) 8FT INT + 5FT END
30'	8+8+8+6	8FT STR + (2) 8FT INT + 6FT END
31'	8+8+8+7	8FT STR + (2) 8FT INT + 7FT END
32'	8+8+8+8	8FT STR + (2) 8FT INT + 8FT END
33'	8+8+8+5+4	8FT STR + (2) 8FT INT + 5FT INT + 4FT END
34'	8+8+8+6+4	8FT STR + (2) 8FT INT + 6FT INT + 4FT END
35'	8+8+8+7+4	8FT STR + (2) 8FT INT + 7FT INT + 4FT END
36'	8+8+8+8+4	8FT STR + (3) 8FT INT + 4FT END
37'	8+8+8+8+5	8FT STR + (3) 8FT INT + 5FT END
38'	8+8+8+8+6	8FT STR + (3) 8FT INT + 6FT END
39'	8+8+8+8+7	8FT STR + (3) 8FT INT + 7FT END
40'	8+8+8+8+8	8FT STR + (3) 8FT INT + 8FT END
41'	8+8+8+8+5+4	8FT STR + (3) 8FT INT + 5FT INT + 4FT END
42'	8+8+8+8+6+4	8FT STR + (3) 8FT INT + 6FT INT + 4FT END
43'	8+8+8+8+7+4	8FT STR + (3) 8FT INT + 7FT INT + 4FT END
44'	8+8+8+8+8+4	8FT STR + (4) 8FT INT + 4FT END
45'	8+8+8+8+8+5	8FT STR + (4) 8FT INT + 5FT END
46'	8+8+8+8+8+6	8FT STR + (4) 8FT INT + 6FT END
47'	8+8+8+8+8+7	8FT STR + (4) 8FT INT + 7FT END
48'	8+8+8+8+8+8	8FT STR + (4) 8FT INT + 8FT END
49'	8+8+8+8+8+5+4	8FT STR + (4) 8FT INT + 5FT INT + 4FT END
50'	8+8+8+8+8+6+4	8FT STR + (4) 8FT INT + 6FT INT + 4FT END

#### SYMMETRICAL

ROW LENGTH		
9'	3+3+3	3FT STR + 3FT INT + 3FT END
10'	5+5	5FT STR + 5FT END
11'	4+3+4	4FT STR + 3FT INT + 4FT END
12'	6+6	6FT STR + 6FT END
13'	4+5+4	4FT STR + 5FT INT + 4FT END
14'	7+7	7FT STR + 7FT END
15'	5+5+5	5FT STR + 5FT INT + 5FT END
16'	8+8	8FT STR + 8FT END
17'	6+5+6	6FT STR + 5FT INT + 6FT END
18'	6+6+6	6FT STR + 6FT INT + 6FT END
19'	6+7+6	6FT STR + 7FT INT + 6FT END
20'	8+4+8	8FT STR + 4FT INT + 8FT END
21'	8+5+8	8FT STR + 5FT INT + 8FT END
22'	8+6+8	8FT STR + 6FT INT + 8FT END
23'	8+7+8	8FT STR + 7FT INT + 8FT END
24'	8+8+8	8FT STR + 8FT INT + 8FT END
25'	6+4+5+4+6	6FT STR + 4FT INT + 5FT INT + 4FT INT + 6FT END
26'	8+5+5+8	8FT STR + (2) 5FT INT + 8FT END
27'	6+5+5+5+6	6FT STR + (3) 5FT INT + 6FT END
28'	8+6+6+8	8FT STR + (2) 6FT INT + 8FT END
29'	8+4+5+4+8	8FT STR + 4FT INT + 5FT INT + 4FT INT + 8FT END
30'	8+7+7+8	8FT STR + (2) 7FT INT + 8FT END
31'	8+5+5+5+8	8FT STR + (3) 5FT INT + 8FT END
32'	8+8+8+8	8FT STR + (2) 8FT INT + 8FT END
33'	8+6+5+6+8	8FT STR + 6FT INT + 5FT INT + 6FT INT + 8FT END
34'	8+6+6+6+8	8FT STR + 6FT INT + 6FT INT + 6FT INT + 8FT END
35'	8+6+7+6+8	8FT STR + 6FT INT + 7FT INT + 6FT INT + 8FT END
36'	8+8+4+8+8	8FT STR + 8FT INT + 4FT INT + 8FT INT + 8FT END
37'	8+8+5+8+8	8FT STR + 8FT INT + 5FT INT + 8FT INT + 8FT END
38'	8+8+6+8+8	8FT STR + 8FT INT + 6FT INT + 8FT INT + 8FT END
39'	8+8+7+8+8	8FT STR + 8FT INT + 7FT INT + 8FT INT + 8FT END
40'	8+8+8+8+8	8FT STR + (3) 8FT INT + 8FT END
41'	8+6+4+5+4+6+8	8FT STR + 6FT INT + 4FT INT + 5FT INT + 4FT INT + 6FT INT + 8FT END
42'	8+8+5+5+8+8	8FT STR + 8FT INT + (2) 5FT INT + 8FT INT + 8FT END
43'	8+6+5+5+5+6+8	8FT STR + 6FT INT + (3) 5FT INT + 6FT INT + 8FT END
44'	8+8+6+6+8+8	8FT STR + 8FT INT + (2) 6FT INT + 8FT INT + 8FT END
45'	8+8+4+5+4+8+8	8FT STR + 8FT INT + 4FT INT + 5FT INT + 4FT INT + 8FT INT + 8FT END
46'	8+8+7+7+8+8	8FT STR + 8FT INT + (2) 7FT INT + 8FT INT + 8FT END
47'	8+8+5+5+5+8+8	8FT STR + 8FT INT + (3) 5FT INT + 8FT INT + 8FT END
48'	8+8+8+8+8+8	8FT STR + (4) 8FT INT + 8FT END
49'	8+8+6+5+6+8+8	8FT STR + 8FT INT + 6FT INT + 5FT INT + 6FT INT + 8FT INT + 8FT END
50'	8+8+6+6+6+8+8	8FT STR + 8FT INT + (3) 6FT INT + 8FT INT + 8FT END



# BionicPro2 Mini Integral | Linear Cable Hung (CA)

## INSTALLATION INSTRUCTIONS



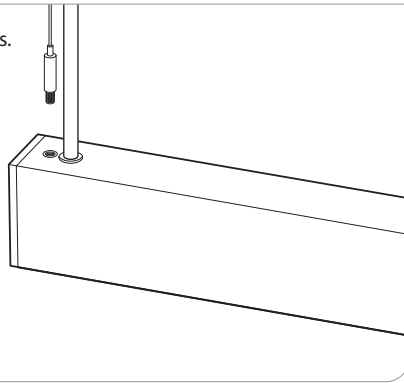
PRUDENTIAL LTG.

PRULITE.COM 213.746.0360

### INDIVIDUAL FIXTURE

**REQUIRES TWO PEOPLE TO INSTALL**

**1)** Install Suspension Cables.



**2)** Make all wiring connections in ceiling (see table).

**WIRING:**

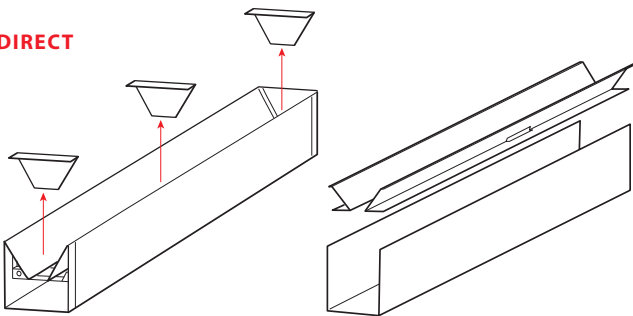
0-10V (+) : Purple	0-10V (-) : Pink
DALI (+) : Purple	DALI (-) : Pink
EcoSystem DALI (+) : Purple	EcoSystem DALI (-) : Pink
<b>HOT : BLACK</b>	
<b>NEUTRAL : WHITE</b>	
<b>GROUND : GREEN</b>	
<b>CONSTANT HOT (EM) : RED</b>	

**DO NOT BUILD ROWS ON FLOOR TO HOIST** **REQUIRES TWO PEOPLE TO INSTALL**

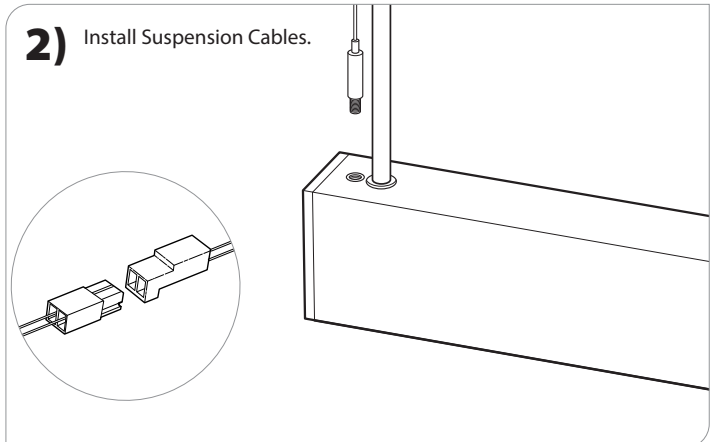
### X1, X3, X6 — ROWS

**1)** Remove Cardboard Inserts. Remove Reflectors. Leave LED assembly in place.

**DIRECT**

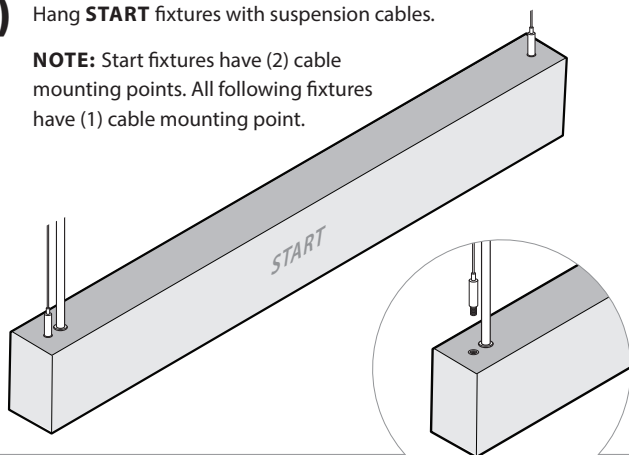


**2)** Install Suspension Cables.

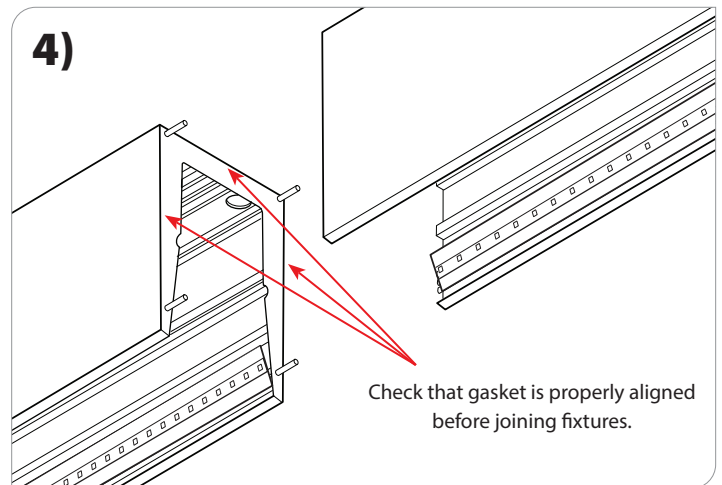


**3)** Hang **START** fixtures with suspension cables.

**NOTE:** Start fixtures have (2) cable mounting points. All following fixtures have (1) cable mounting point.



**4)**



**WARNING:** Ground fixture in accordance with local and national electrical codes. Failure to do so may result in serious personal injury. Fixture Installations should ONLY be done by a qualified licensed electrical professional.

# BionicPro2 Mini Integral | Linear Cable Hung (CA)

## INSTALLATION INSTRUCTIONS

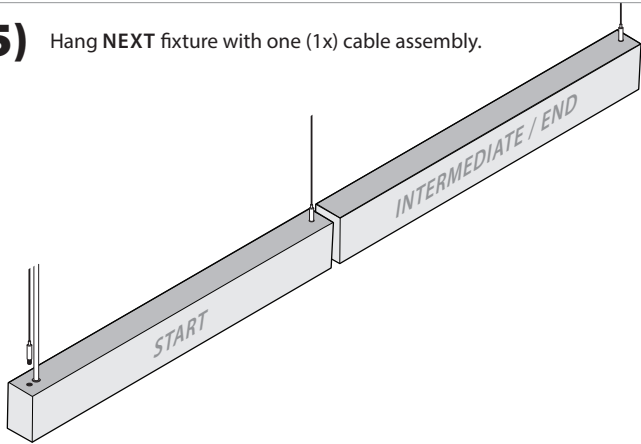


PRUDENTIAL LTG.

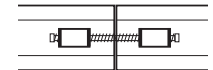
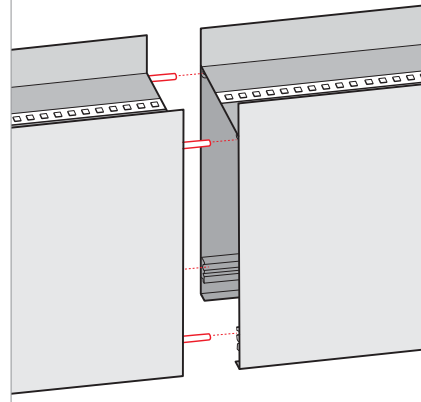
PRULITE.COM 213.746.0360

**⚠ DO NOT BUILD ROWS ON FLOOR TO HOIST** **👤👤 REQUIRES TWO PEOPLE TO INSTALL**

**5)** Hang NEXT fixture with one (1x) cable assembly.

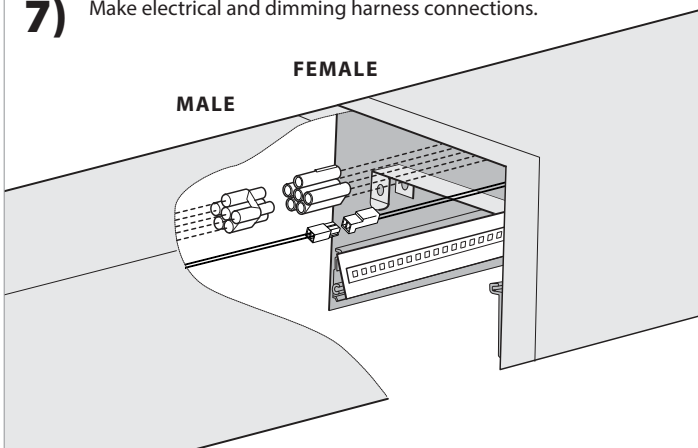


**6)** Make sure taper pins are aligned.

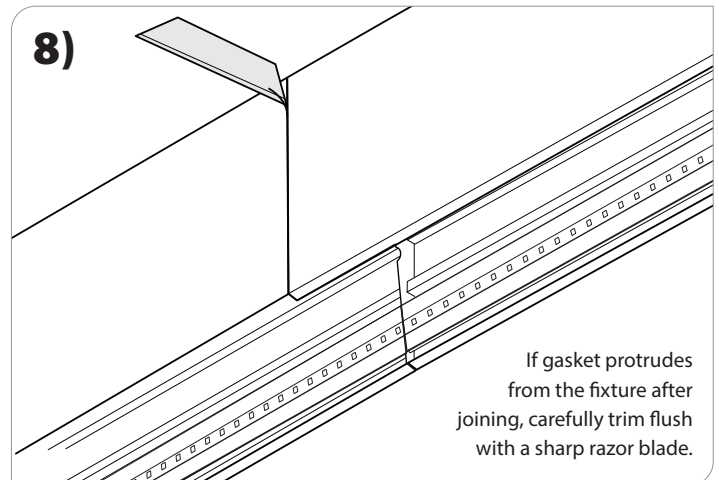


**JOIN FIXTURES USING  
1/4"-20 X 5" BOLT AND  
LOCK NUT**

**7)** Make electrical and dimming harness connections.

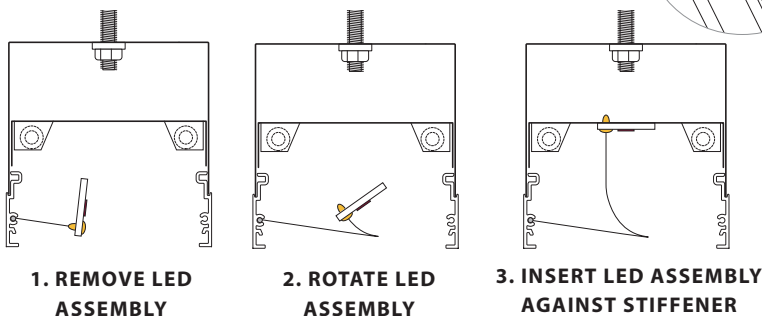


**8)**

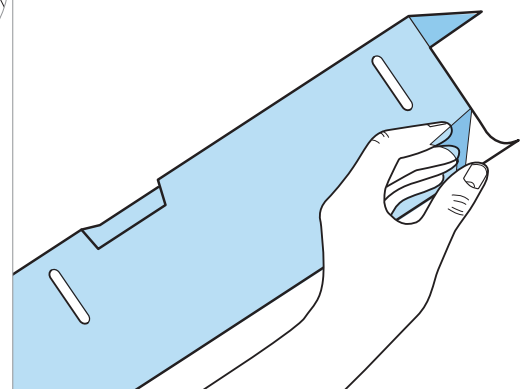


If gasket protrudes from the fixture after joining, carefully trim flush with a sharp razor blade.

**9)** Use appropriate holes to attach screws to end stiffener. LED assembly should be relatively flush with end of extrusion/body when installed correctly.



**10)** Peel blue protective covering off reflectors.



**WARNING:** Ground fixture in accordance with local and national electrical codes. Failure to do so may result in serious personal injury. Fixture Installations should ONLY be done by a qualified licensed electrical professional.

# BionicPro2 Mini Integral | Linear Cable Hung (CA)

## INSTALLATION INSTRUCTIONS



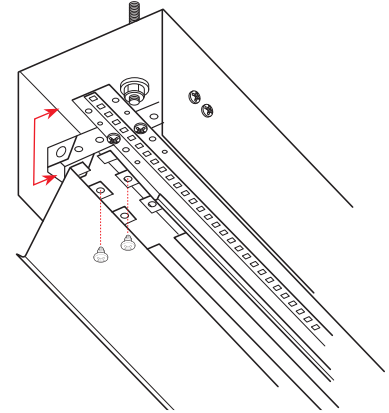
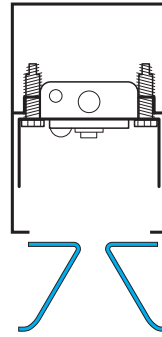
PRUDENTIAL LTG.

PRULITE.COM 213.746.0360

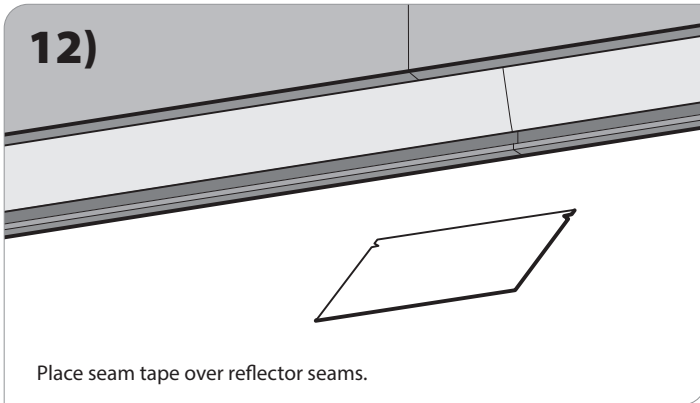
**⚠ DO NOT BUILD ROWS ON FLOOR TO HOIST** **👤👤 REQUIRES TWO PEOPLE TO INSTALL**

- 11)** Install reflectors to fixture by attaching them to LED assembly using 6-32 x 1/4" screws. Reflectors should be flush with end of LED assembly. Tuck wiring behind first installed reflector before installing the second.

Reflectors should be flush with end of LED assembly.

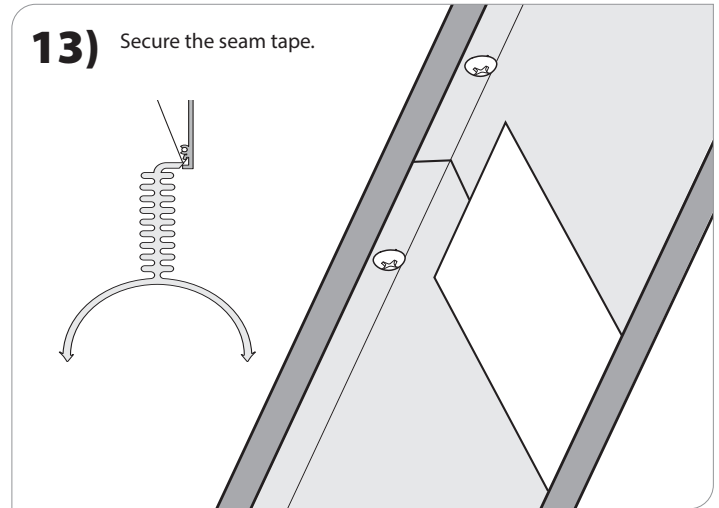


**12)**



Place seam tape over reflector seams.

**13)** Secure the seam tape.



**WARNING:** Ground fixture in accordance with local and national electrical codes. Failure to do so may result in serious personal injury. Fixture Installations should ONLY be done by a qualified licensed electrical professional.

# BionicPro2 Mini Integral | Linear

## Lens Installation

### INSTALLATION INSTRUCTIONS



INSTALLATION  
VIDEO



PRUDENTIAL LTG.

PRULITE.COM 213.746.0360

## LENS INSTALLATION

**⚠️ ENERGIZE ROWS TO ENSURE ALL LEDS ARE WORKING BEFORE INSTALL** **👤 LENS REQUIRES TWO PEOPLE TO INSTALL**

**LENS ORIENTATION**

**SAL** – Satin lens has both sides the same, reversible, no orientation

**BTW** – Batwing shiny side UP, matte frosted side DOWN.

**MGZ/WWG/PFL** – Wall Wash and Perimeter lenses, ribbed side UP (they can be seen and felt).

NOTE: WWG and PFL are the same with opposite orientation

**Stickers** indicate WALL and ROOM sides, but the lens also has engraving indicating each as shown.

**RECOMMENDED:** Start lens installation from LEFT to RIGHT.

START      INTERMEDIATE      END

## LENS INSTALLATION — IF ALL FIXTURES ARE ALREADY INSTALLED

**1)** Measure 18" from end cap. Using a pencil, place a small mark on the fixture.

**2)** Make sure lens is square.

**3)** Install tape strip **TIGHTLY** approximately 16" from start.

**4)** Insert lens into lens tool, then place just before **TIGHT** tape strip.

**FOR BPRO2-REG3**  
Install clamp before inserting into fixture. Once installed in fixture, remove clamp and proceed to step 5.

Lens tool with clamp installed into fixture      Clamp removed

**WARNING:** Ground fixture in accordance with local and national electrical codes. Failure to do so may result in serious personal injury. Fixture Installations should ONLY be done by a qualified licensed electrical professional.

# BionicPro2 Mini Integral | Linear Lens Installation

## INSTALLATION INSTRUCTIONS

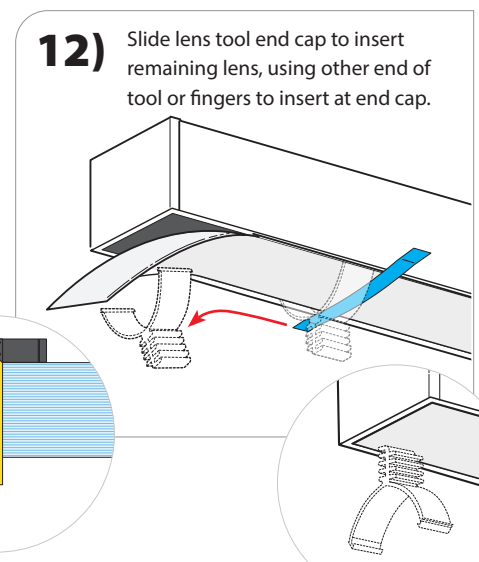
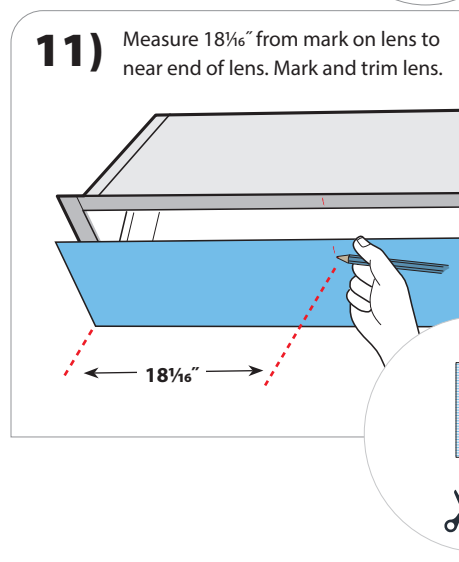
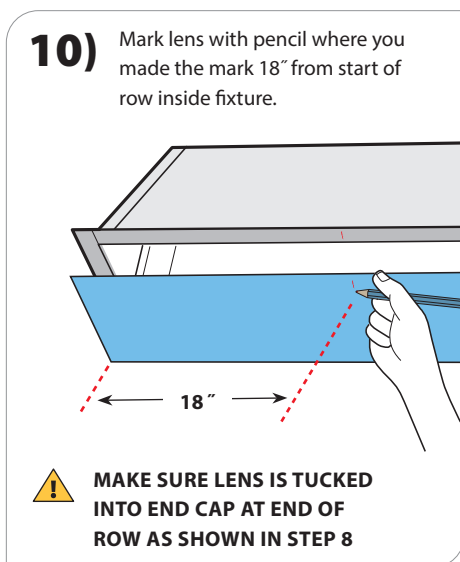
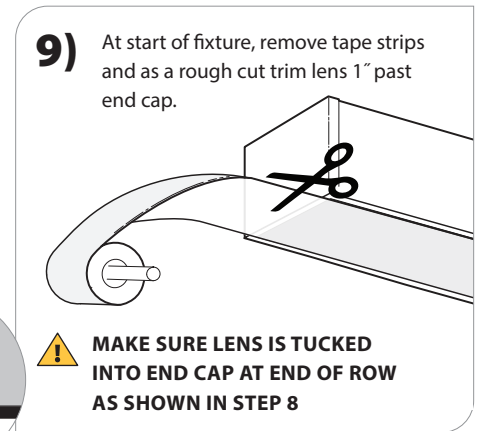
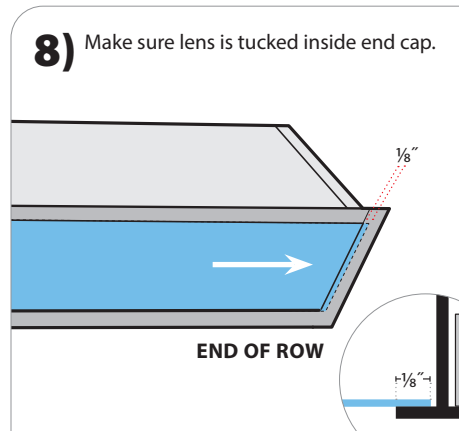
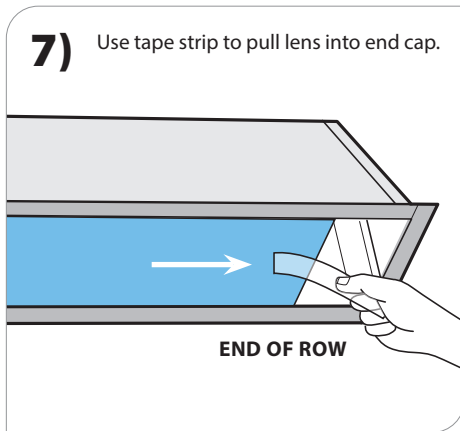
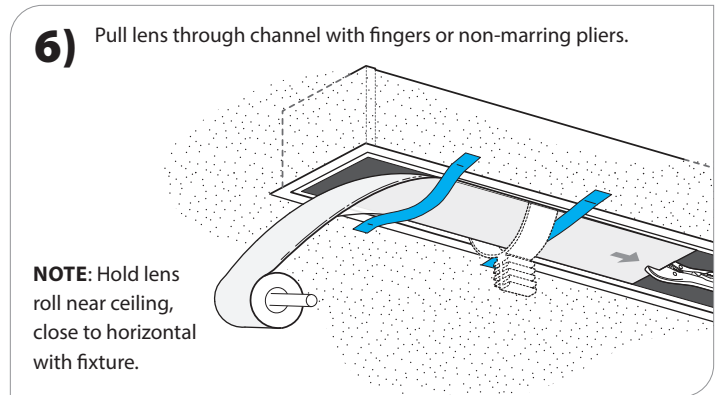
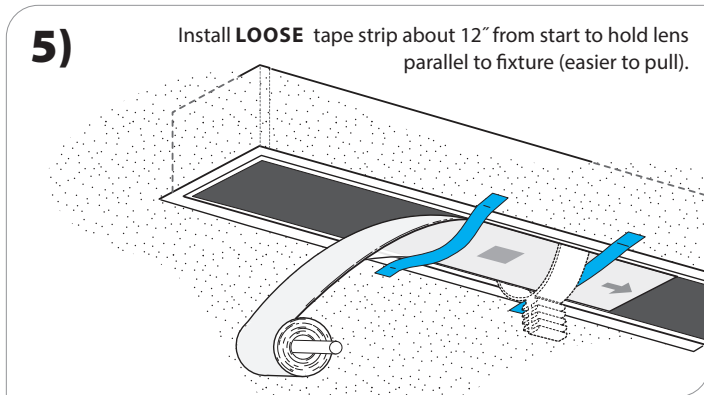


INSTALLATION  
VIDEO



PRUDENTIAL LTG.

PRULITE.COM 213.746.0360



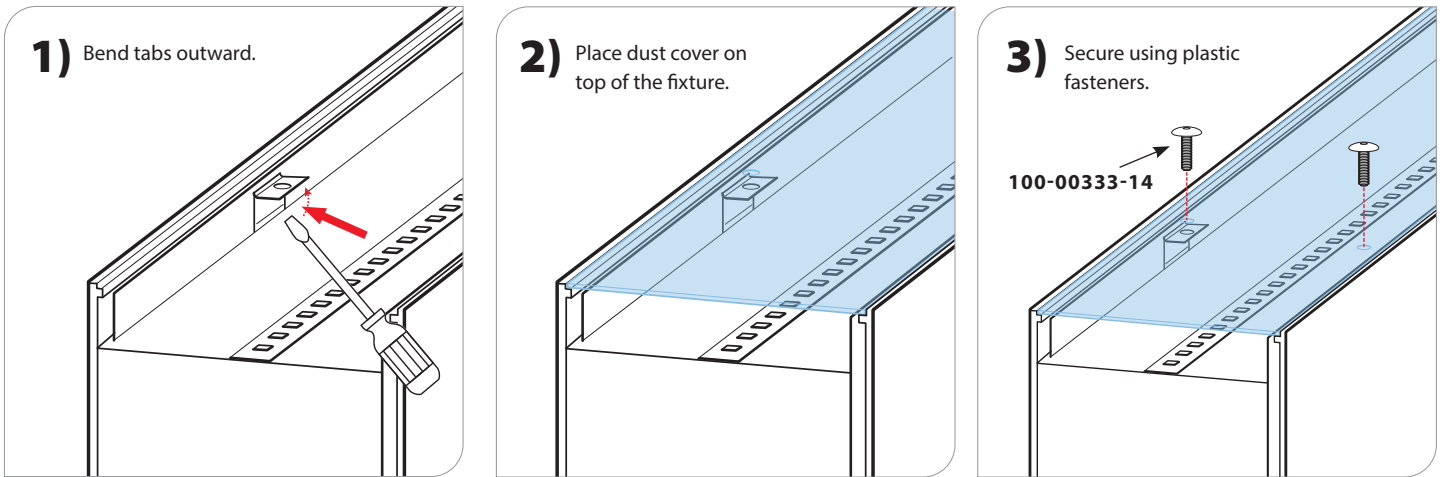
**WARNING:** Ground fixture in accordance with local and national electrical codes. Failure to do so may result in serious personal injury. Fixture Installations should ONLY be done by a qualified licensed electrical professional.



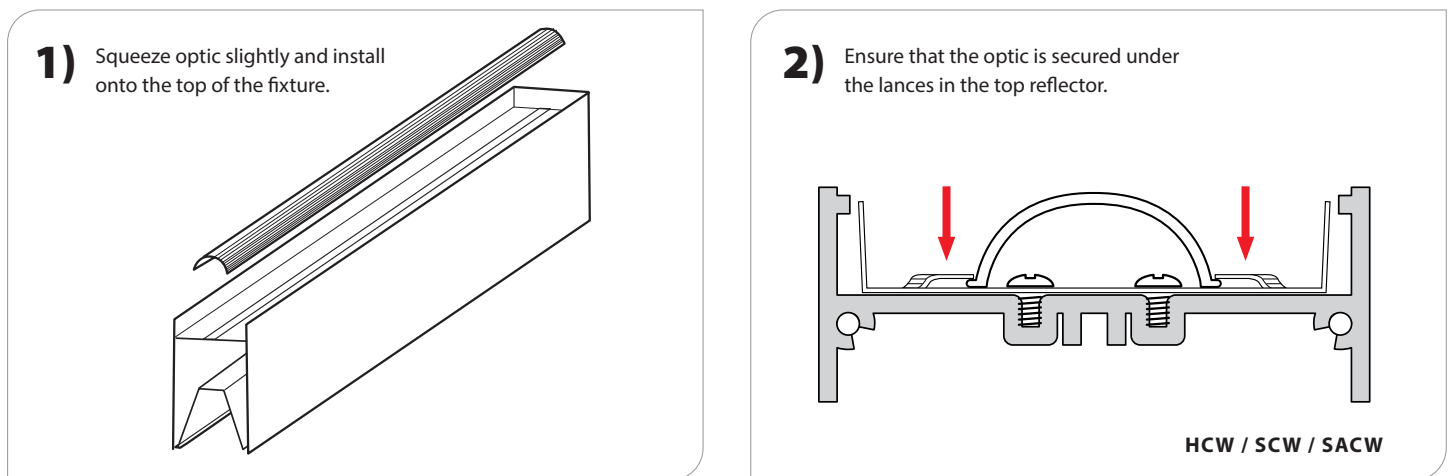
## INSTALLATION INSTRUCTIONS

PRULITE.COM 213.746.0360

### DUST COVER



### INDIRECT OPTIC



**WARNING:** Ground fixture in accordance with local and national electrical codes. Failure to do so may result in serious personal injury. Fixture Installations should ONLY be done by a qualified licensed electrical professional.

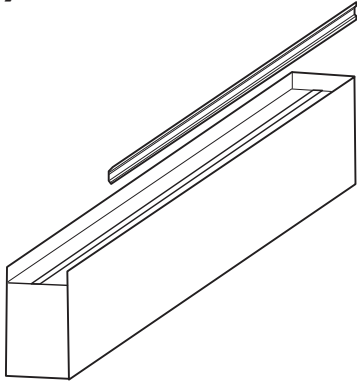


## INSTALLATION INSTRUCTIONS

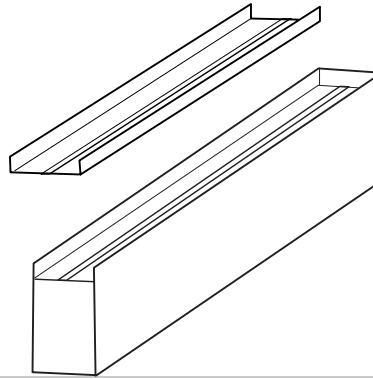
PRULITE.COM 213.746.0360

### TOP GLOW — INDIRECT ONLY

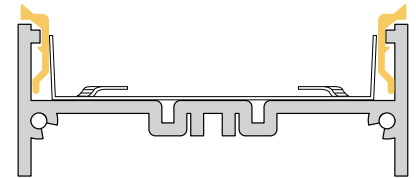
**1)** Install 1 of the top glow profiles.



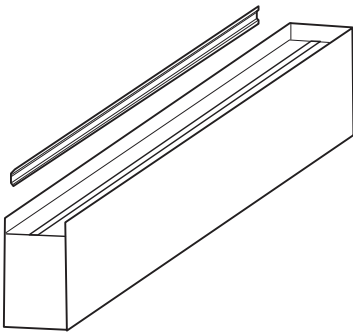
**2)** Place the top reflector and LED assembly onto the fixture.



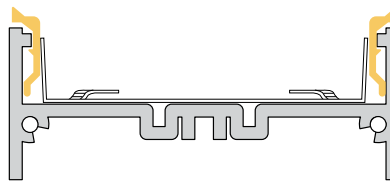
**3)** Slide the top reflector and LED assembly to the side to allow clearance for the other top glow profile.



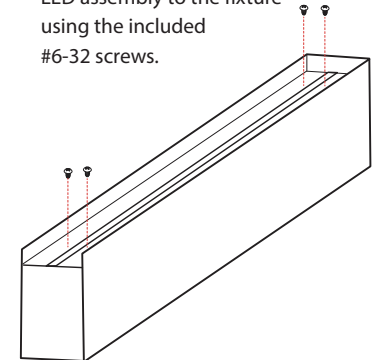
**4)** Install the other top glow profile.



**5)** Center the top reflector and LED assembly to secure the top glow profiles.



**6)** Fasten the top reflector and LED assembly to the fixture using the included #6-32 screws.



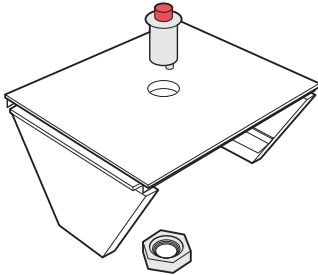
**WARNING:** Ground fixture in accordance with local and national electrical codes. Failure to do so may result in serious personal injury. Fixture Installations should ONLY be done by a qualified licensed electrical professional.



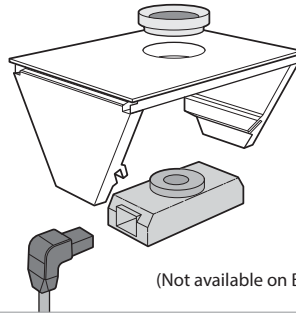
## ACCESSORY PLATE & SENSOR INSTALLATION

### SENSORS

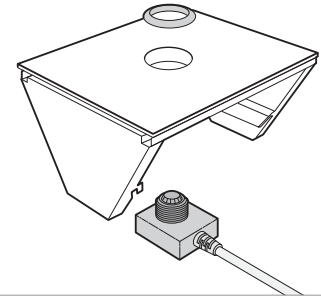
Iota Light/Switch



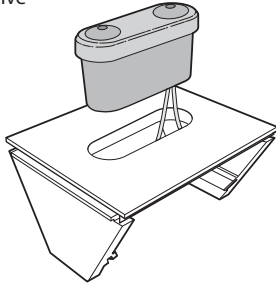
Acuity nLight



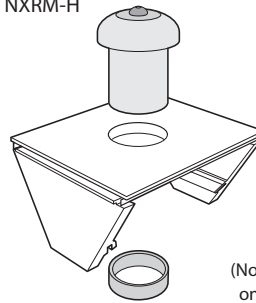
Wattstopper FS-205



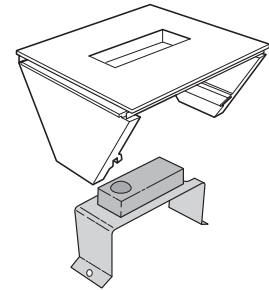
Lutron Vive



Hubbell NXRM-H



Hubbell NXSMP-SMI



**WARNING:** Ground fixture in accordance with local and national electrical codes. Failure to do so may result in serious personal injury. Fixture Installations should ONLY be done by a qualified licensed electrical professional..

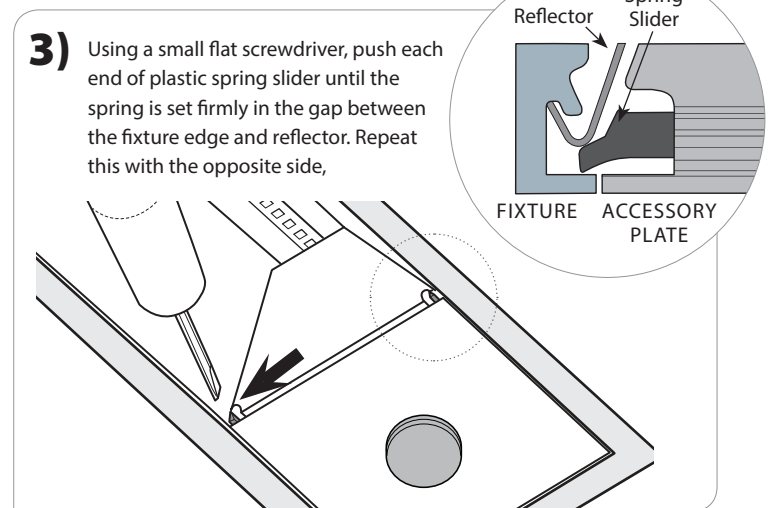
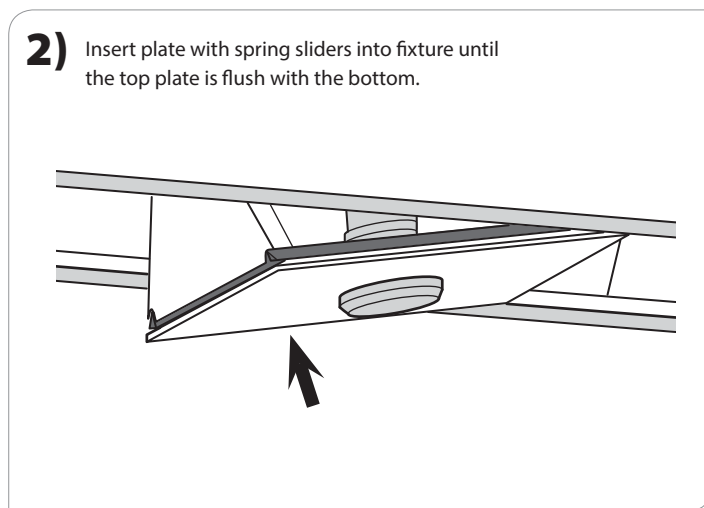
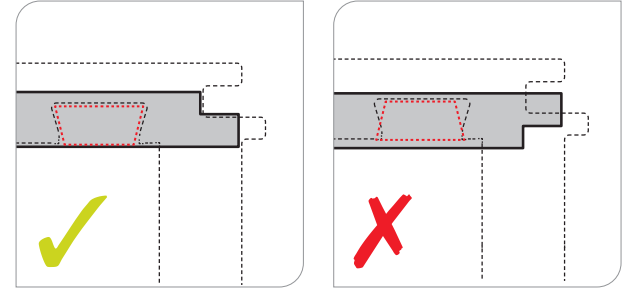
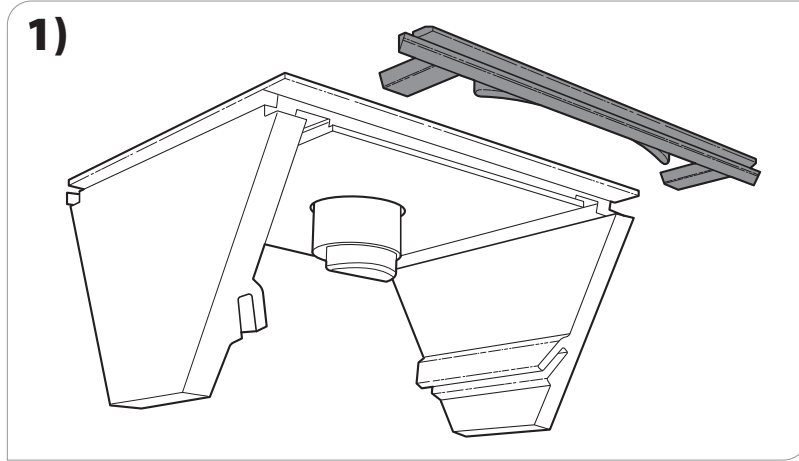


## INSTALLATION INSTRUCTIONS

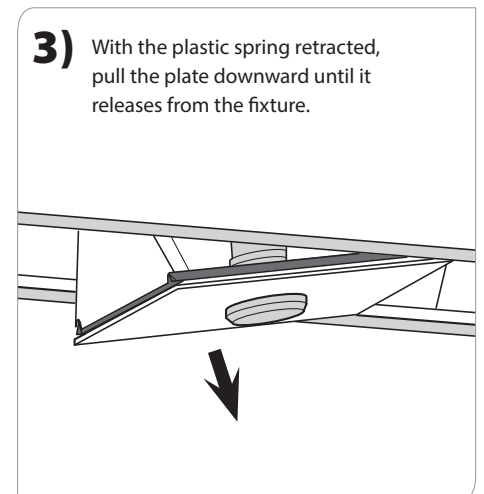
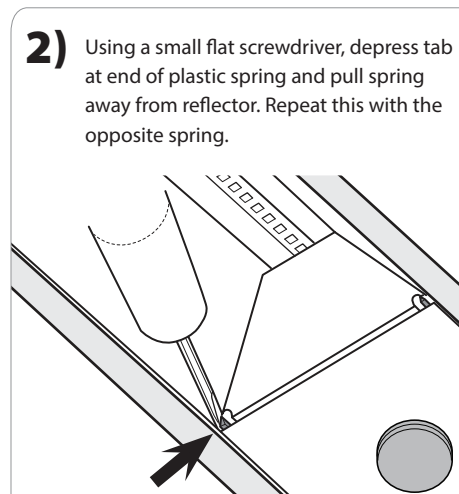
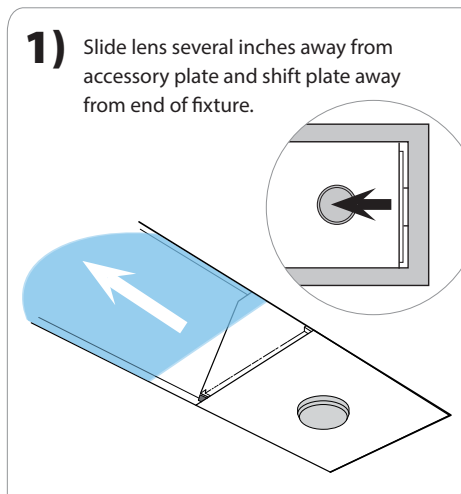
### ACCESSORY PLATE ASSEMBLY

Insert slider spring tabs into dovetail slots in the bottom of plate

Spring tabs must be oriented to match dovetails in plate



### ACCESSORY PLATE REMOVAL



**WARNING:** Ground fixture in accordance with local and national electrical codes. Failure to do so may result in serious personal injury. Fixture Installations should ONLY be done by a qualified licensed electrical professional.

# BionicPro2 Mini Integral | Linear Adjustable Toggle Cable (X1 / T-Bar)

## INSTALLATION INSTRUCTIONS

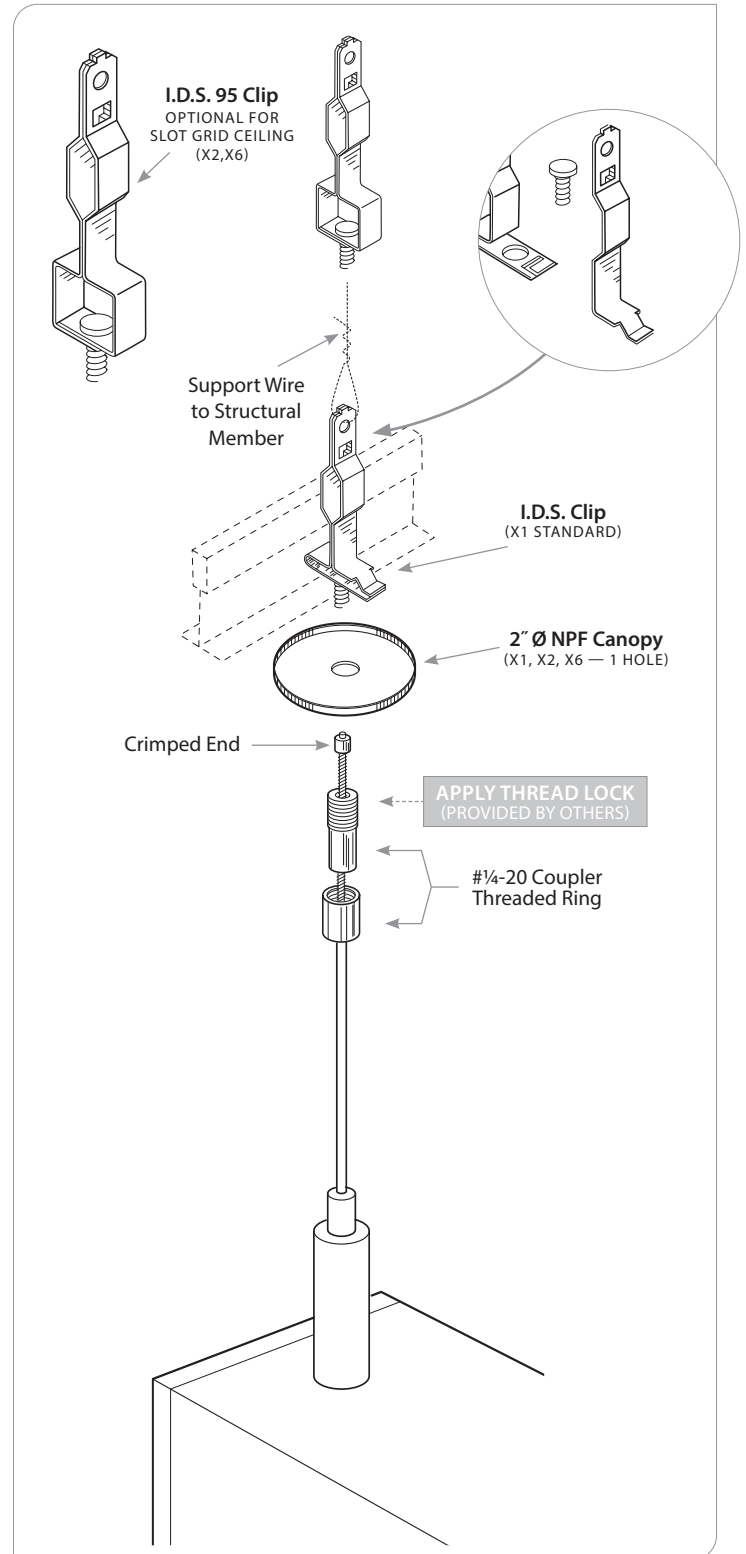


PRUDENTIAL LTG.

PRULITE.COM 213.746.0360

1. Place 1/4-20 stud into square opening on the bottom of I.D.S. clip. Position I.D.S. clip on ceiling grid at required location. Secure clip to structural member by inserting support wire through 1/4" dia. hole located at top of I.D.S. clip (wire provided by others).
2. Insert open end of support cable through top threaded end of 1/4-20 coupling. Pull cable until crimp stops inside threaded end of coupling.
3. Unscrew threaded ring from top of 1/4-20 coupling. Insert 1/4-20 coupling through 1 3/32" dia. center hole on canopy and let threaded ring and canopy rest on fixture end. Lift coupling/cable to ceiling with fixture attached and thread 1/4-20 coupler onto strap bolt (be sure coupling is secure). Adjust cable to required distance from ceiling surface. Lift canopy against ceiling surface and secure in place with threaded ring.

**CAUTION:** Do not remove crimp from cable. Crimps are factory pressed onto cable for maximum strength. Prudential Lighting will not be responsible for damage or injuries which occur due to cable/crimp alterations. If different cable lengths are required, contact Prudential Lighting immediately.



**WARNING:** Ground fixture in accordance with local and national electrical codes. Failure to do so may result in serious personal injury. Fixture Installations should ONLY be done by a qualified licensed electrical professional.



Prudential Ltg. reserves the right to change design specifications or materials without notice. Please visit [prulite.com](http://prulite.com) for most current data. © 2026 All rights reserved—All products manufactured at: Prudential Ltg. 1774 E. 21<sup>st</sup> Street, Los Angeles, CA 90058

# BionicPro2 Mini Integral | Linear Adjustable Cord / Cable Support (X1 / T-Bar)

## INSTALLATION INSTRUCTIONS



PRUDENTIAL LTG.

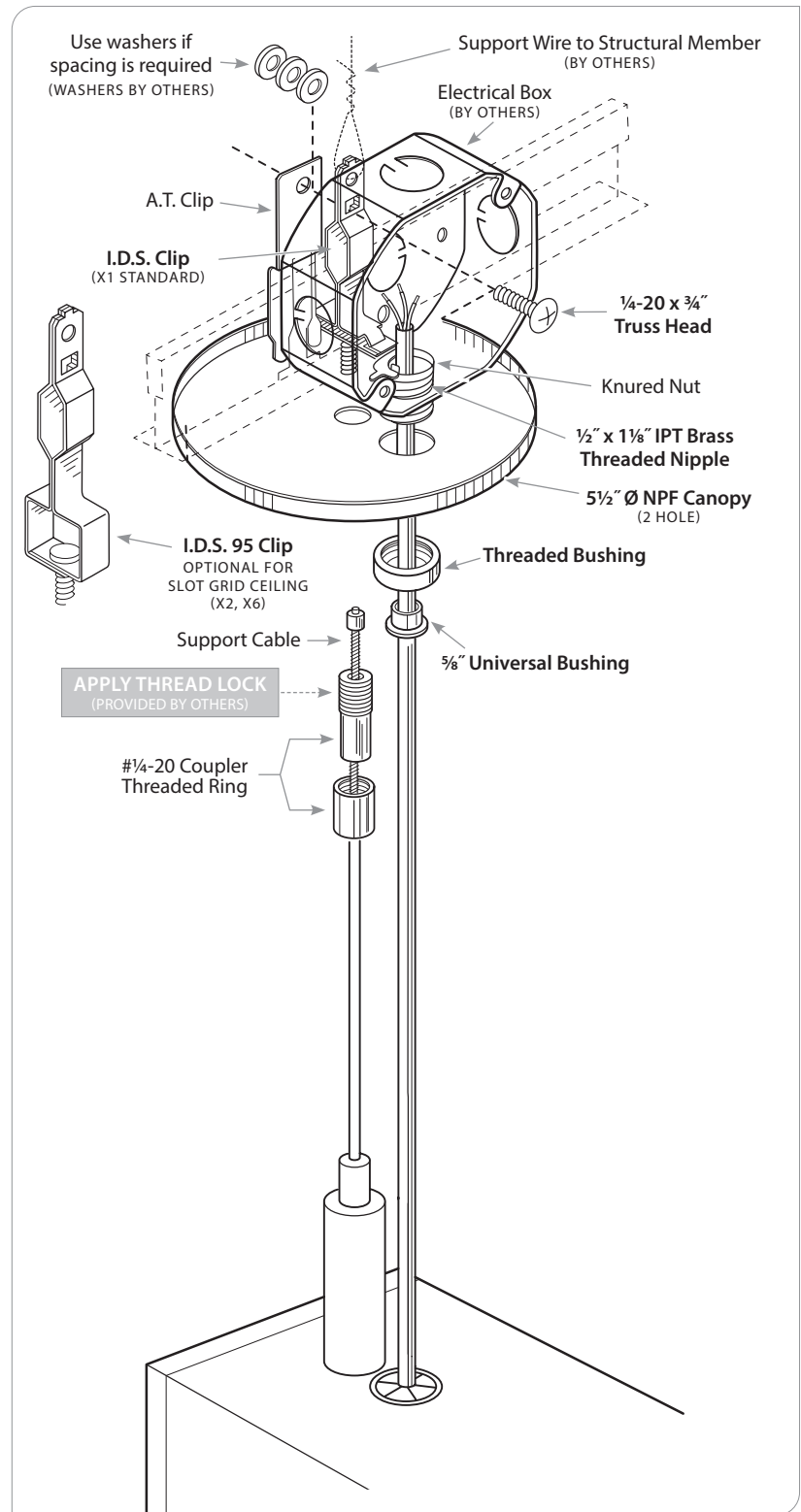
PRULITE.COM 213.746.0360

1. Place 1/4-20 stud into square opening on the bottom of I.D.S. clip. Position I.D.S. clip on ceiling grid at required location. Place A.T. Clip onto ceiling grid. Slide A.T. clip against I.D.S. clip. Attach 3 1/2" octagonal electrical box to A.T. clip with 1/4-20 x 3/4" screw. Place washers between A.T. clip and electrical box. Secure box to grid. (See figure 1).
2. Insert open end of support cable through top threaded end of 1/4-20 coupler. Pull cable until crimp stops inside threaded end of coupler.
3. Place threaded ring over top of 1/4-20 coupler. Insert 1/4-20 coupler through 1 3/32" dia. center hole on canopy. Slip universal bushing and threaded bushing over top end of SJT cord. Let canopy rest on fixture end. Lift coupler/cable to ceiling with fixture attached. Thread 1/4-20 coupler onto I.D.S. stud. (Be sure coupler is secure). Adjust cable to require distance from ceiling surface.
4. Use 1/2" nipple from canopy to electrical box. Trim SJT cord to required length and secure to electrical box with strain relief. Make all wire connections and replace electrical box cover. Lift canopy against ceiling surface. Apply a small amount of thread lock to coupler threaded area. Secure in place with threaded ring. Hold SJT cord under canopy and turn threaded bushing onto 1/2" nipple. Snap universal bushing into threaded bushing.

**NOTE:** Canopy will accommodate 3 1/2" octagonal electrical box. Electrical box must be attached to A.T. clip. Refer to NEC 370-16 for maximum electrical box fill. Clamp connector and electrical box provided by others.

**CAUTION:** Do not remove crimp from cable. Crimps are factory pressed onto cable for maximum strength. Prudential Lighting will not be responsible for damage or injuries which occur due to cable/crimp alterations. If different cable lengths are required, contact Prudential Lighting immediately.

\* Cord must terminate directly into electrical box. Cord is not plenum rated. 1" of additional cord provided for each feed location.



**WARNING:** Ground fixture in accordance with local and national electrical codes. Failure to do so may result in serious personal injury. Fixture Installations should ONLY be done by a qualified licensed electrical professional.



Prudential Ltg. reserves the right to change design specifications or materials without notice. Please visit prulite.com for most current data. © 2026 All rights reserved—All products manufactured at: Prudential Ltg. 1774 E. 21<sup>st</sup> Street, Los Angeles, CA 90058

# BionicPro2 Mini Integral | Linear Adjustable Cable Support (X3 / Hard Ceiling)

## INSTALLATION INSTRUCTIONS



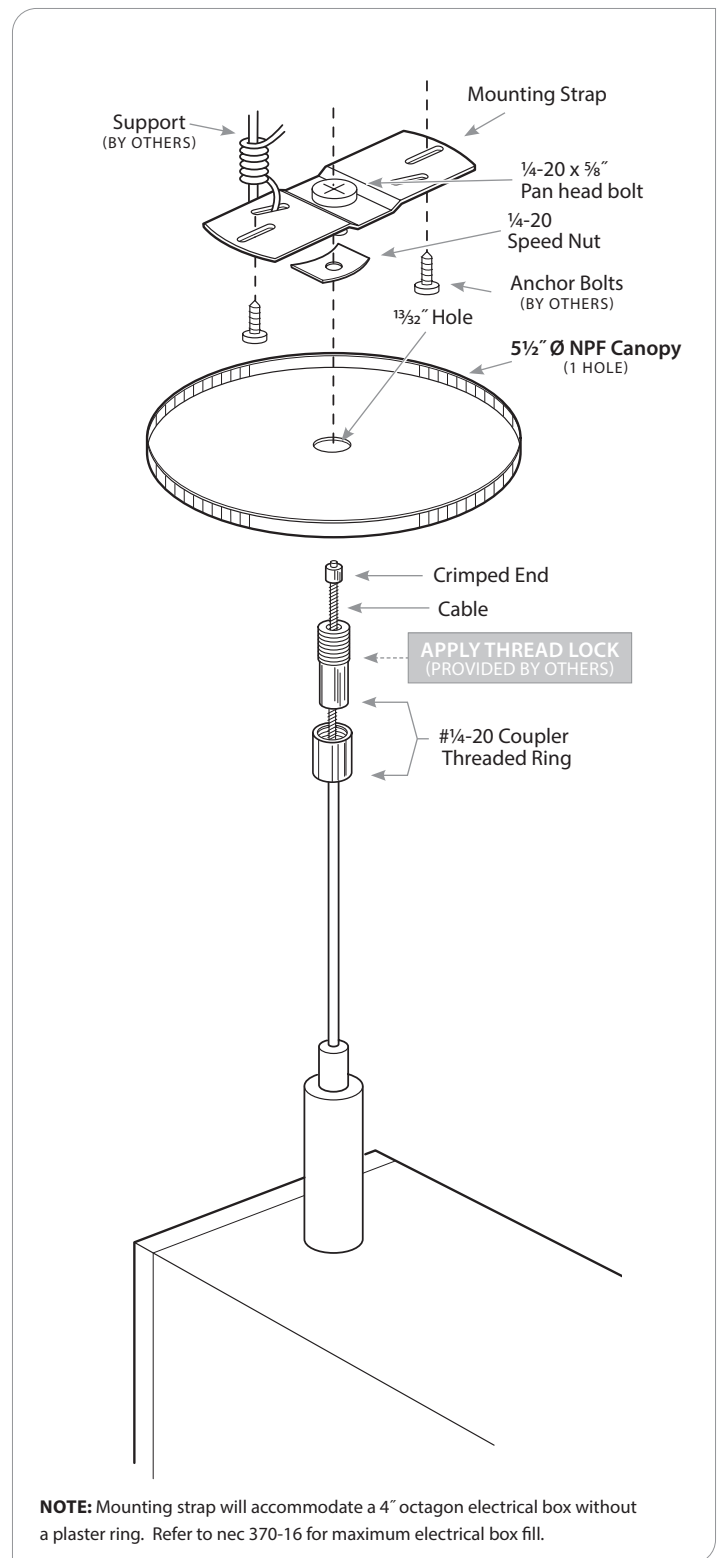
PRUDENTIAL LTG.

PRULITE.COM 213.746.0360

1. Anchor mounting straps to ceiling at cable locations. If mounting plan drawings is provided follow dimensions specified in row or pattern layout. (Contractor is to determine best anchoring hardware to be used in securing mounting strap to ceiling)
2. Insert non-crimped end of support cable through top threaded end of 1/4-20 coupling. Pull cable until crimp stops inside threaded end of coupling.
3. Unscrew threaded ring from top of 1/4-20 coupling. Insert 1/4-20 coupling through 1 3/32" dia. center hole on canopy and let threaded ring and canopy rest on fixture end. Lift coupling/cable to ceiling with fixture attached and thread 1/4-20 coupler onto strap bolt (be sure coupling is secure). Adjust cable to required distance from ceiling surface. Lift canopy against ceiling surface and secure in place with threaded ring.

**NOTE:** Depending on ceiling construction, reinforcement may be required at each mounting location.

**CAUTION:** Do **NOT** remove crimp from cable. Crimps are factory pressed onto cable for maximum strength. Prudential Lighting will not be responsible for damage or injuries which occur due to cable/crimp alterations. If different cable lengths are required, contact Prudential Lighting immediately.



**WARNING:** Ground fixture in accordance with local and national electrical codes. Failure to do so may result in serious personal injury. Fixture Installations should ONLY be done by a qualified licensed electrical professional.



Prudential Ltg. reserves the right to change design specifications or materials without notice. Please visit [prulite.com](http://prulite.com) for most current data. © 2026 All rights reserved—All products manufactured at: Prudential Ltg. 1774 E. 21<sup>st</sup> Street, Los Angeles, CA 90058

# BionicPro2 Mini Integral | Linear Adjustable Cord / Cable Support (X3 / Hard Ceiling)

## INSTALLATION INSTRUCTIONS



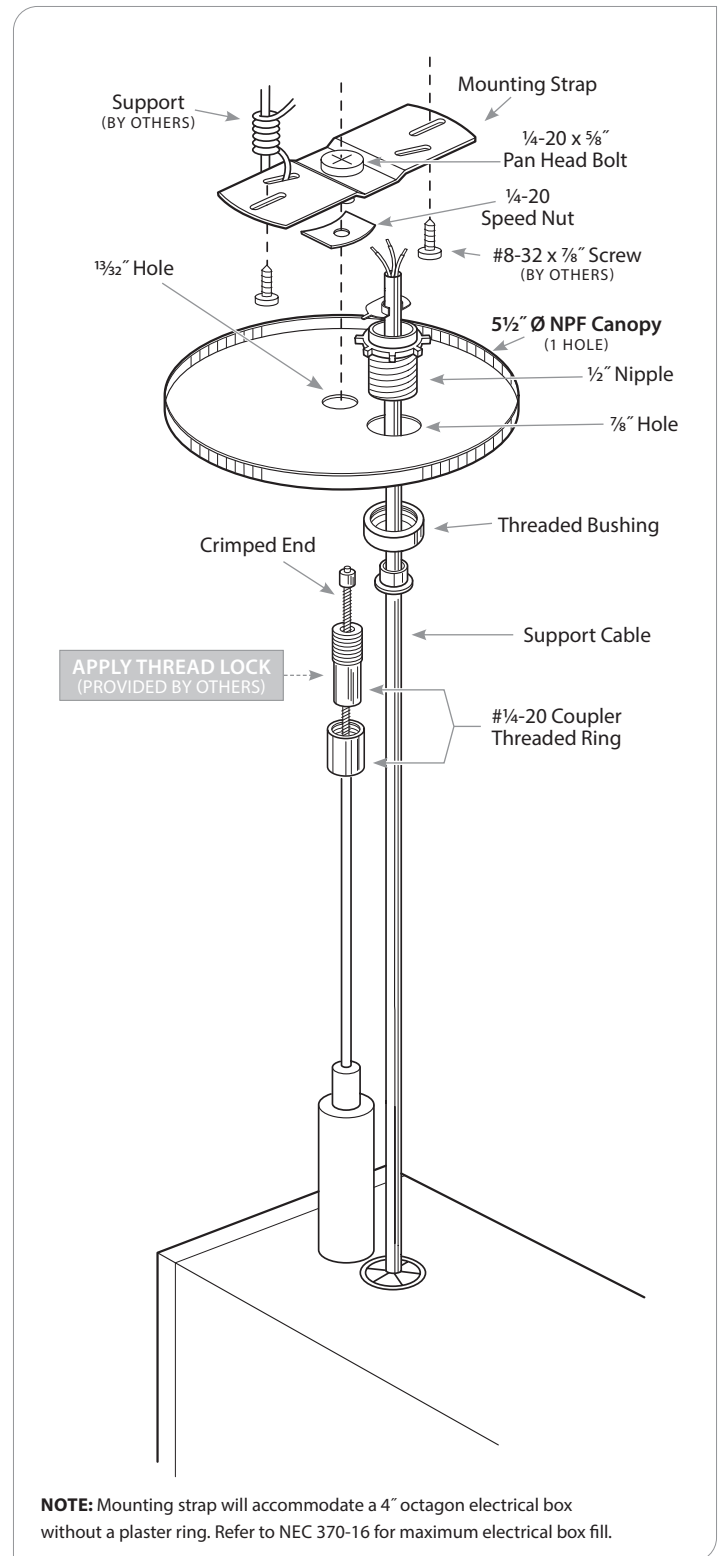
PRUDENTIAL LTG.

PRULITE.COM 213.746.0360

1. Use #8-32 x  $\frac{7}{8}$ " screws (provided by others) to fasten the mounting strap to the J-box. If weight exceeds 50 pounds, reinforce mounting strap with support wire secured to structural material (support wire provided by others).
2. Insert open end of support cable through top threaded end of  $\frac{1}{4}$ -20 coupler. Pull cable until crimp stops inside threaded end of coupler.
3. Unscrew threaded ring from top of  $\frac{1}{4}$ -20 coupling. Insert  $\frac{1}{4}$ -20 coupling through center hole on canopy. Apply small amount of thread lock on mounting stud. Lift coupling/canopy, and fixture to mounting strap and screw coupling to bolt (be sure coupling is secure). Adjust cable to required distance from ceiling surface.

**CAUTION:** Do **NOT** remove crimp from cable. Crimps are factory pressed onto cable for maximum strength. Prudential Lighting will not be responsible for damage or injuries which occur due to cable/crimp alterations. If different cable lengths are required, contact Prudential Lighting immediately.

\* Cord must terminate directly into electrical box. Cord is not plenum rated. 1" of additional cord provided for each feed location.



**WARNING:** Ground fixture in accordance with local and national electrical codes. Failure to do so may result in serious personal injury. Fixture Installations should ONLY be done by a qualified licensed electrical professional.



Prudential Ltg. reserves the right to change design specifications or materials without notice. Please visit [prulite.com](http://prulite.com) for most current data. © 2026 All rights reserved—All products manufactured at: Prudential Ltg. 1774 E. 21<sup>st</sup> Street, Los Angeles, CA 90058