

# BionicPro & BionicPro2 Mini Integral | Linear

## WMU/WMU1/WMU2 Surface+Wall — Brackets



PRUDENTIAL LTG.

PRULITE.COM 213.746.0360

### INSTALLATION INSTRUCTIONS

#### BPRO-LIN/MINI BRACKETS

WMU	WMU1	WMU2
<b>SURFACE:</b> 173720	173721	173722
<b>WALL:</b> 173717	173718	173719

PART	PART NO.	DESCRIPTION
	172851	BPRO-LIN/MINI Mullion Bracket (Factory Installed)
	100-00427-14	Phillips Flat Head 4-40 x 0.250L Screw (Factory Installed)
	100-00424-14	Phillips Flat Head 8-32 x 0.625L Screw
	100-00283-14	1/4-20 x 5.0 Round Head Combination Drive Machine Screw
	100-00255-14	1/4-20 KEPS Hex Nut
	100-00486-10	BionicPro Seam Reflector
	100-01177-10	BionicPro2 Mini Seam Reflector
	100-00462-10	2" — BionicPro Lens Tool — White
	100-00464-10	3" — BionicPro Lens Tool — Natural
	100-00465-10	4" — BionicPro Lens Tool — Black
	100-00463-10	5" — BionicPro Lens Tool — White
	100-00040-20	Tape Strips
	82484	Lens Removal Tool (Maintenance Only)
	74454	(4x4) Electrical Box Cover Plate (EBCP2G)
	100-00214-14	8-32 x 7/8 Phil Pan HS MS Type-F Screw
	100-00018-14	6-32 x 1/4 Screw

PARTS LIST	SIZE	PART NO.	SAL	BTW	WWF	PFL/WWG	NGZ	MGZ	WGZ
	2" —	100-00966-18	100-00961-18	100-00973-18	100-00978-18	100-00983-18	100-01004-18	100-00988-18	
	3" —	100-00967-18	100-00962-18	100-00974-18	100-00979-18	100-00984-18	100-01005-18	100-00989-18	
	4" —	100-00968-18	100-00963-18	100-00975-18	100-00980-18	100-00985-18	100-01006-08	100-00990-18	
	5" —	100-00969-18	100-00964-18	100-00976-18	100-00981-18	100-00986-18	100-01007-18	100-00991-18	

#### BIONICPRO LINEAR OPTIONS (NA WITH MINI):

PART	PART NO.	DESCRIPTION
<b>OPTICS &amp; LOUVERS:</b>		
	100-00472-10	Soft Asymmetric Ceiling Wash
	100-00471-10	Soft Ceiling Wash
	100-00186-10	Plastic Lens Holder
	100-00321-02	Reflector
	100-00479-10	Top Glow Lens
	100-01002-18	CLEAR
	100-00885-18	FROSTED
	100-00333-14	Plastic Push-In Fasteners
	100-00374-07	2" —
	100-00375-07	3" —
	100-00376-10	4" —
	100-00377-07	5" —
	100-00353-14	#4-40 x 1/4" Flat Head Screw (Painted)

#### FTR (FEATHERING DIFFUSER):

	100-00843-10	Diffuser
	100-00374-14	Nylon Spacer Washer
	100-00182-14	6-32 x 1/2" Screw

**WARNING:** Ground fixture in accordance with local and national electrical codes. Failure to do so may result in serious personal injury. Fixture Installations should ONLY be done by a qualified licensed electrical professional.

# BionicPro & BionicPro2 Mini Integral | Linear WMU/WMU1/WMU2 Surface+Wall — Brackets



PRUDENTIAL LTG.

PRULITE.COM 213.746.0360

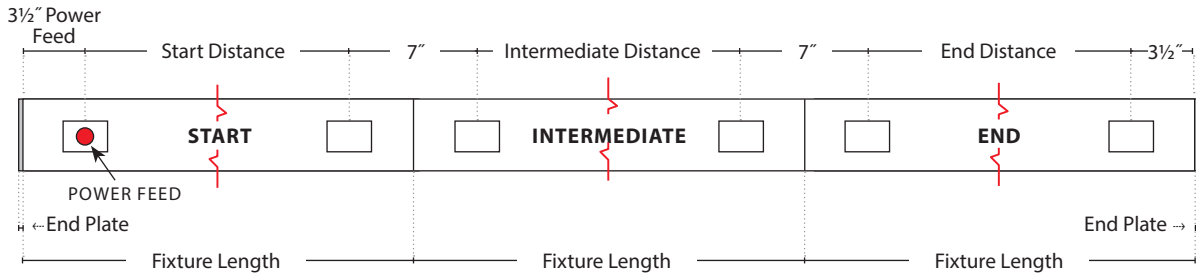
## INSTALLATION INSTRUCTIONS

### WMU/WMU1/WMU2 (BRACKETS): SURFACE — MOUNTING

**NOTE: 2' ROW FIXTURES NOT AVAILABLE**

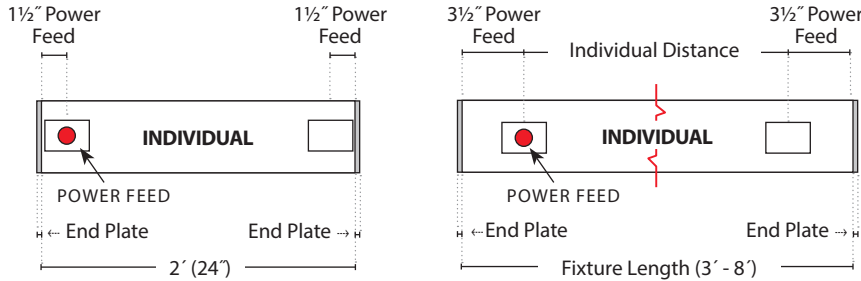
**ROWS:**

● POWER FEED



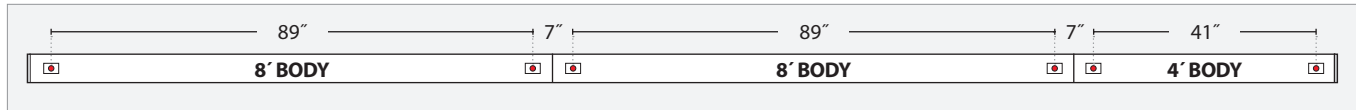
**INDIVIDUAL (2'):**

**INDIVIDUAL (3' - 8'):**

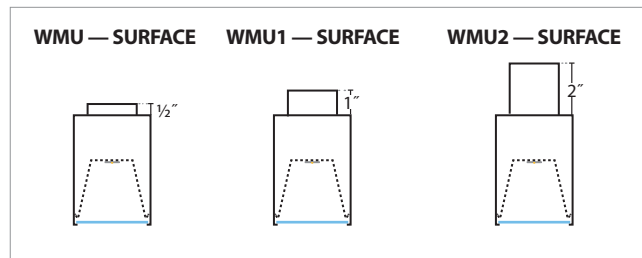


ENDPLATE THICKNESS	
BionicPro	1/2"
BionicPro Mini	1/4"

**EXAMPLE OF 20' ROW — SURFACE MOUNT:**



FIXTURE LENGTHS	MOUNTING DISTANCE		COS (Custom On-Center Spacing)	
	All	Start / Intermediate / End		Individual
2'	24"	—	21"	Customer to provide on-center mounting dimensions, PRU will pre-drill and mount Brackets
3'	36"	29"	29"	
4'	48"	41"	41"	
5'	60"	53"	53"	
6'	72"	65"	65"	
7'	84"	77"	77"	
8'	96"	89"	89"	



**WARNING:** Ground fixture in accordance with local and national electrical codes. Failure to do so may result in serious personal injury. Fixture Installations should ONLY be done by a qualified licensed electrical professional.

# BionicPro & BionicPro2 Mini Integral | Linear WMU/WMU1/WMU2 Surface+Wall — Brackets

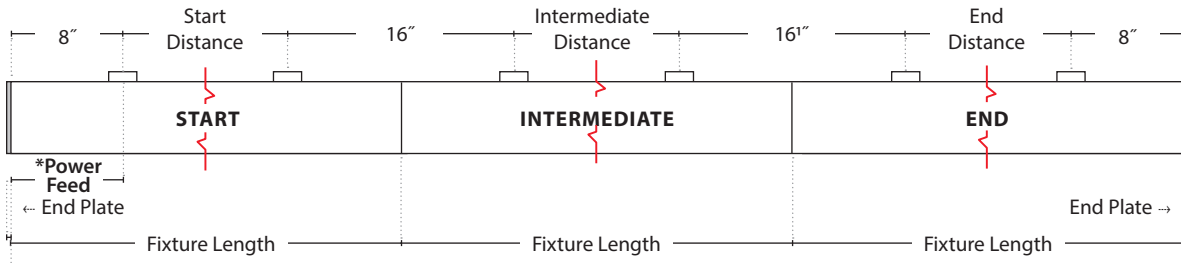


## INSTALLATION INSTRUCTIONS

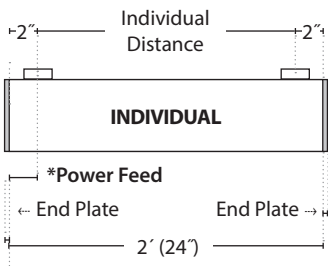
### WMU/WMU1/WMU2 (BRACKETS): WALL — MOUNTING

**NOTE: 2' ROW FIXTURES NOT AVAILABLE**

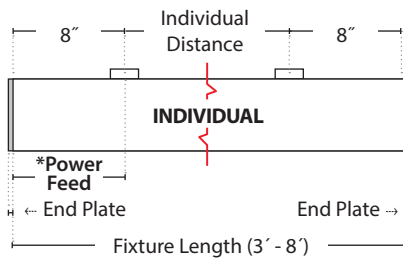
**ROWS:**



**INDIVIDUAL (2'):**



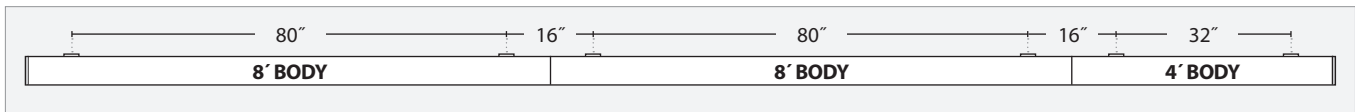
**INDIVIDUAL (3' - 8'):**



**ENDPLATE THICKNESS**

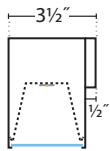
BionicPro	1/2"
BionicPro Mini	1/4"

**EXAMPLE OF 20' ROW — WALL MOUNT:**

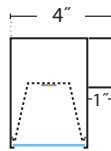


	*Power Feed	FIXTURE LENGTHS		MOUNTING DISTANCE		COS (Custom On-Center Spacing)
		All	Start / Intermediate / End	Individual		
2'	2"	24"	—	20"	Customer to provide on-center mounting dimensions, PRU will pre-drill and mount Brackets	
3'	8"	36"	20"	20"		
4'	8"	48"	32"	32"		
5'	8"	60"	44"	44"		
6'	8"	72"	56"	56"		
7'	8"	84"	68"	68"		
8'	8"	96"	80"	80"		

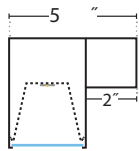
**WMU — WALL**



**WMU1 — WALL**



**WMU2 — WALL**



**WARNING:** Ground fixture in accordance with local and national electrical codes. Failure to do so may result in serious personal injury. Fixture Installations should ONLY be done by a qualified licensed electrical professional.

# BionicPro & BionicPro2 Mini Integral | Linear

## WMU/WMU1/WMU2 Surface+Wall — Brackets

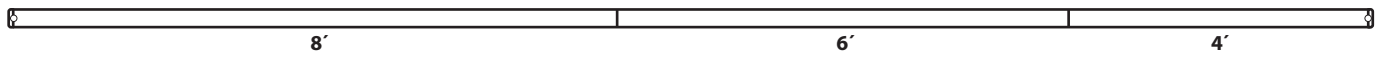


PRUDENTIAL LTG.

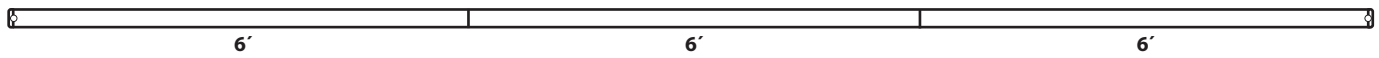
PRULITE.COM 213.746.0360

### INSTALLATION INSTRUCTIONS

#### 18' STANDARD ROW LENGTH:



#### 18' SYMMETRIC ROW LENGTH (SRL):



### STANDARD

ROW LENGTH			TOTAL LENGTH WITH ENDCAPS (FOR BPRO-MINI SUBTRACT 1/2" FROM TOTAL)
9'	5+4	5FT STR + 4FT END	109
10'	6+4	6FT STR + 4FT END	121
11'	7+4	7FT STR + 4FT END	133
12'	8+4	8FT STR + 4FT END	145
13'	8+5	8FT STR + 5FT END	157
14'	8+6	8FT STR + 6FT END	169
15'	8+7	8FT STR + 7FT END	181
16'	8+8	8FT STR + 8FT END	193
17'	8+5+4	8FT STR + 5FT INT + 4FT END	205
18'	8+6+4	8FT STR + 6FT INT + 4FT END	217
19'	8+7+4	8FT STR + 7FT INT + 4FT END	229
20'	8+8+4	8FT STR + 8FT INT + 4FT END	241
21'	8+8+5	8FT STR + 8FT INT + 5FT END	253
22'	8+8+6	8FT STR + 8FT INT + 6FT END	265
23'	8+8+7	8FT STR + 8FT INT + 7FT END	277
24'	8+8+8	8FT STR + 8FT INT + 8FT END	289
25'	8+8+5+4	8FT STR + 8FT INT + 5FT INT + 4FT END	301
26'	8+8+6+4	8FT STR + 8FT INT + 6FT INT + 4FT END	313
27'	8+8+7+4	8FT STR + 8FT INT + 7FT INT + 4FT END	325
28'	8+8+8+4	8FT STR + (2) 8FT INT + 4FT END	337
29'	8+8+8+5	8FT STR + (2) 8FT INT + 5FT END	349
30'	8+8+8+6	8FT STR + (2) 8FT INT + 6FT END	361
31'	8+8+8+7	8FT STR + (2) 8FT INT + 7FT END	373
32'	8+8+8+8	8FT STR + (2) 8FT INT + 8FT END	385
33'	8+8+8+5+4	8FT STR + (2) 8FT INT + 5FT INT + 4FT END	397
34'	8+8+8+6+4	8FT STR + (2) 8FT INT + 6FT INT + 4FT END	409
35'	8+8+8+7+4	8FT STR + (2) 8FT INT + 7FT INT + 4FT END	421
36'	8+8+8+8+4	8FT STR + (3) 8FT INT + 4FT END	433
37'	8+8+8+8+5	8FT STR + (3) 8FT INT + 5FT END	445
38'	8+8+8+8+6	8FT STR + (3) 8FT INT + 6FT END	457
39'	8+8+8+8+7	8FT STR + (3) 8FT INT + 7FT END	469
40'	8+8+8+8+8	8FT STR + (3) 8FT INT + 8FT END	481
41'	8+8+8+8+5+4	8FT STR + (3) 8FT INT + 5FT INT + 4FT END	493
42'	8+8+8+8+6+4	8FT STR + (3) 8FT INT + 6FT INT + 4FT END	505
43'	8+8+8+8+7+4	8FT STR + (3) 8FT INT + 7FT INT + 4FT END	517
44'	8+8+8+8+8+4	8FT STR + (4) 8FT INT + 4FT END	529
45'	8+8+8+8+8+5	8FT STR + (4) 8FT INT + 5FT END	541
46'	8+8+8+8+8+6	8FT STR + (4) 8FT INT + 6FT END	553
47'	8+8+8+8+8+7	8FT STR + (4) 8FT INT + 7FT END	565
48	8+8+8+8+8+8	8FT STR + (4) 8FT INT + 8FT END	577
49'	8+8+8+8+8+5+4	8FT STR + (4) 8FT INT + 5FT INT + 4FT END	589
50'	8+8+8+8+8+6+4	8FT STR + (4) 8FT INT + 6FT INT + 4FT END	601

# BionicPro & BionicPro2 Mini Integral | Linear

## WMU/WMU1/WMU2 Surface+Wall — Brackets



### INSTALLATION INSTRUCTIONS

#### SYMMETRICAL

ROW LENGTH			TOTAL LENGTH WITH ENDCAPS (FOR BPRO-MINI SUBTRACT ½" FROM TOTAL)
9'	3+3+3	3FT STR + 3FT INT + 3FT END	109
10'	5+5	5FT STR + 5FT END	121
11'	4+3+4	4FT STR + 3FT INT + 4FT END	133
12'	6+6	6FT STR + 6FT END	145
13'	4+5+4	4FT STR + 5FT INT + 4FT END	157
14'	7+7	7FT STR + 7FT END	169
15'	5+5+5	5FT STR + 5FT INT + 5FT END	181
16'	8+8	8FT STR + 8FT END	193
17'	6+5+6	6FT STR + 5FT INT + 6FT END	205
18'	6+6+6	6FT STR + 6FT INT + 6FT END	217
19'	6+7+6	6FT STR + 7FT INT + 6FT END	229
20'	8+4+8	8FT STR + 4FT INT + 8FT END	241
21'	8+5+8	8FT STR + 5FT INT + 8FT END	253
22'	8+6+8	8FT STR + 6FT INT + 8FT END	265
23'	8+7+8	8FT STR + 7FT INT + 8FT END	277
24'	8+8+8	8FT STR + 8FT INT + 8FT END	289
25'	6+4+5+4+6	6FT STR + 4FT INT + 5FT INT + 4FT INT + 6FT END	301
26'	8+5+5+8	8FT STR + (2) 5FT INT + 8FT END	313
27'	6+5+5+5+6	6FT STR + (3) 5FT INT + 6FT END	325
28'	8+6+6+8	8FT STR + (2) 6FT INT + 8FT END	337
29'	8+4+5+4+8	8FT STR + 4FT INT + 5FT INT + 4FT INT + 8FT END	349
30'	8+7+7+8	8FT STR + (2) 7FT INT + 8FT END	361
31'	8+5+5+5+8	8FT STR + (3) 5FT INT + 8FT END	373
32'	8+8+8+8	8FT STR + (2) 8FT INT + 8FT END	385
33'	8+6+5+6+8	8FT STR + 6FT INT + 5FT INT + 6FT INT + 8FT END	397
34'	8+6+6+6+8	8FT STR + 6FT INT + 6FT INT + 6FT INT + 8FT END	409
35'	8+6+7+6+8	8FT STR + 6FT INT + 7FT INT + 6FT INT + 8FT END	421
36'	8+8+4+8+8	8FT STR + 8FT INT + 4FT INT + 8FT INT + 8FT END	433
37'	8+8+5+8+8	8FT STR + 8FT INT + 5FT INT + 8FT INT + 8FT END	445
38'	8+8+6+8+8	8FT STR + 8FT INT + 6FT INT + 8FT INT + 8FT END	457
39'	8+8+7+8+8	8FT STR + 8FT INT + 7FT INT + 8FT INT + 8FT END	469
40'	8+8+8+8+8	8FT STR + (3) 8FT INT + 8FT END	481
41'	8+6+4+5+4+6+8	8FT STR + 6FT INT + 4FT INT + 5FT INT + 4FT INT + 6FT INT + 8FT END	493
42'	8+8+5+5+8+8	8FT STR + 8FT INT + (2) 5FT INT + 8FT INT + 8FT END	505
43'	8+6+5+5+5+6+8	8FT STR + 6FT INT + (3) 5FT INT + 6FT INT + 8FT END	517
44'	8+8+6+6+8+8	8FT STR + 8FT INT + (2) 6FT INT + 8FT INT + 8FT END	529
45'	8+8+4+5+4+8+8	8FT STR + 8FT INT + 4FT INT + 5FT INT + 4FT INT + 8FT INT + 8FT END	541
46'	8+8+7+7+8+8	8FT STR + 8FT INT + (2) 7FT INT + 8FT INT + 8FT END	553
47'	8+8+5+5+5+8+8	8FT STR + 8FT INT + (3) 5FT INT + 8FT INT + 8FT END	565
48	8+8+8+8+8+8	8FT STR + (4) 8FT INT + 8FT END	577
49'	8+8+6+5+6+8+8	8FT STR + 8FT INT + 6FT INT + 5FT INT + 6FT INT + 8FT INT + 8FT END	589
50'	8+8+6+6+6+8+8	8FT STR + 8FT INT + (3) 6FT INT + 8FT INT + 8FT END	601

**WARNING:** Ground fixture in accordance with local and national electrical codes. Failure to do so may result in serious personal injury. Fixture Installations should ONLY be done by a qualified licensed electrical professional.

# BionicPro & BionicPro2 Mini Integral | Linear WMU/WMU1/WMU2 Surface+Wall — Brackets

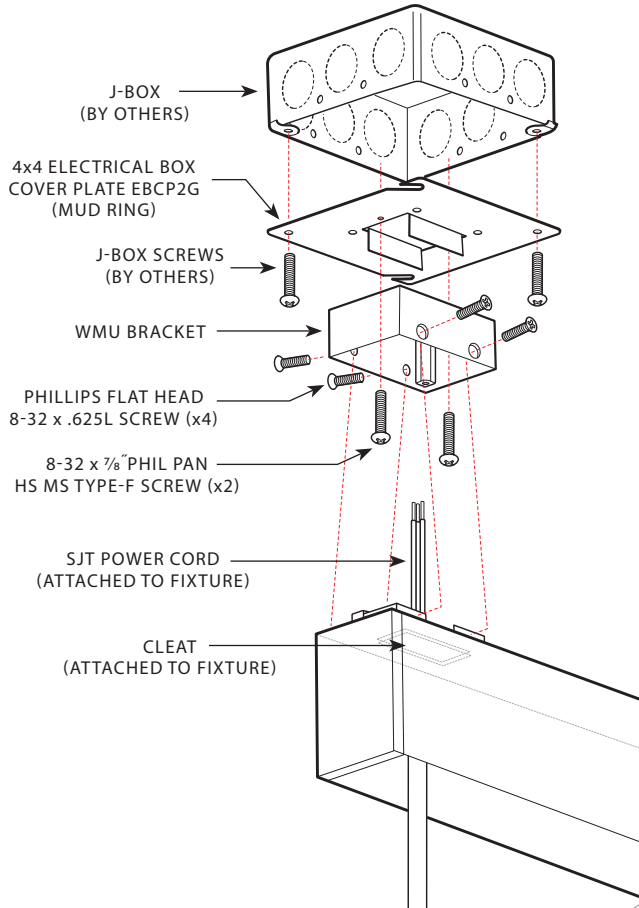


PRUDENTIAL LTG.

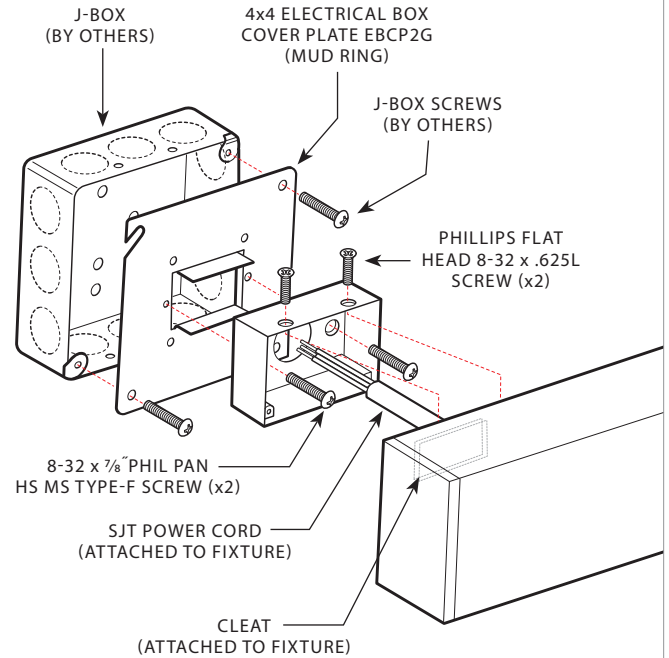
PRULITE.COM 213.746.0360

## INSTALLATION INSTRUCTIONS

### SURFACE MOUNT



### WALL MOUNT



**WARNING:** Ground fixture in accordance with local and national electrical codes. Failure to do so may result in serious personal injury. Fixture installations should ONLY be done by a qualified licensed electrical professional.

# BionicPro & BionicPro2 Mini Integral | Linear WMU/WMU1/WMU2 Surface+Wall — Brackets



PRUDENTIAL LTG.

PRULITE.COM 213.746.0360

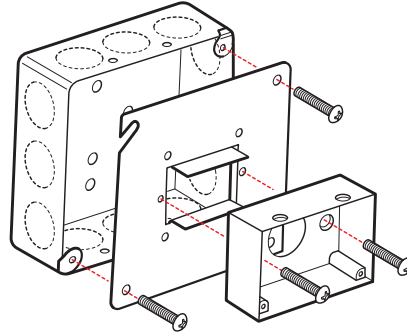
## INSTALLATION INSTRUCTIONS

**👤👤 MAY REQUIRE TWO PEOPLE TO INSTALL**

- 1)** Assemble the 4" x 4" electrical box cover plate to the J-box.  
(Prudential can supply a 2" x 4" cover plate if needed.)

Secure the WMU wall bracket to the cover plate using the provided 8-32 x 7/8" screws.

**NOTE:** Electrical box cover plate to be installed behind drywall.



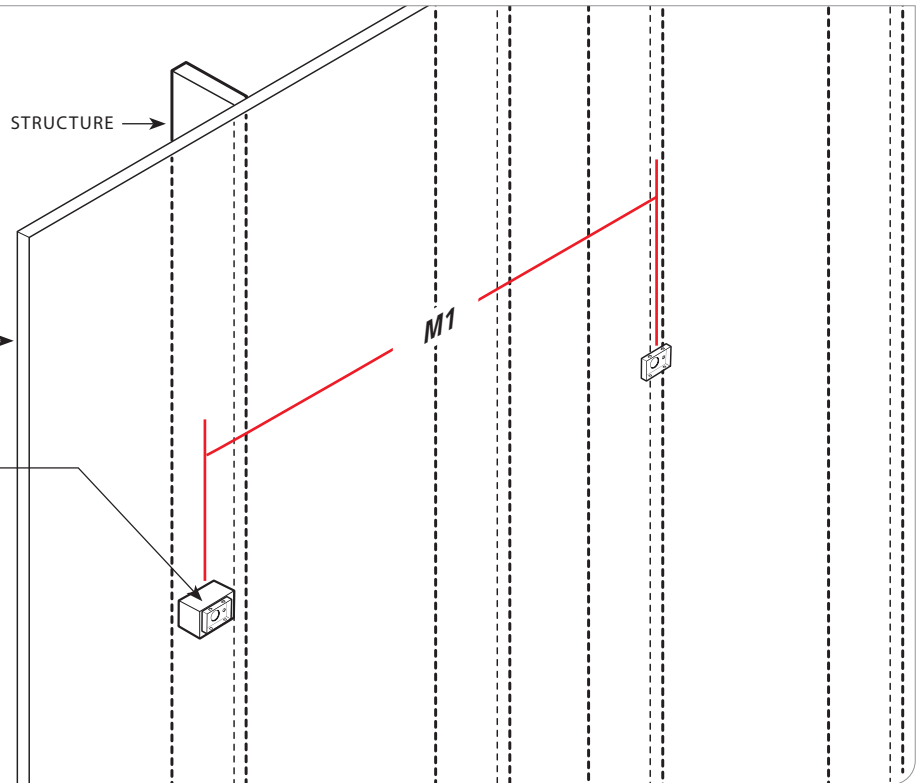
- 2a)** Use the table to find the "M1" dimension and locate the second mounting point.  
Apply WMU mount gasket to back face of bracket.

- 2b)** Attach brackets to mounting locations.

STRUCTURE →

CEILING/WALL →

ELECTRICAL BOX COVER  
PLATE AND WMU BRACKET  
FASTENED TO J-BOX



### M1 MOUNT DIMENSION:

	FIXTURE LENGTH						
	2'	3'	4'	5'	6'	7'	8'
<b>SURFACE</b>	21"	29"	41"	53"	65"	77"	89"
<b>WALL</b>	20"	20"	32"	44"	56"	68"	80"

**WARNING:** Ground fixture in accordance with local and national electrical codes. Failure to do so may result in serious personal injury.  
Fixture Installations should ONLY be done by a qualified licensed electrical professional.

# BionicPro & BionicPro2 Mini Integral | Linear WMU/WMU1/WMU2 Surface+Wall — Brackets



PRUDENTIAL LTG.

PRULITE.COM 213.746.0360

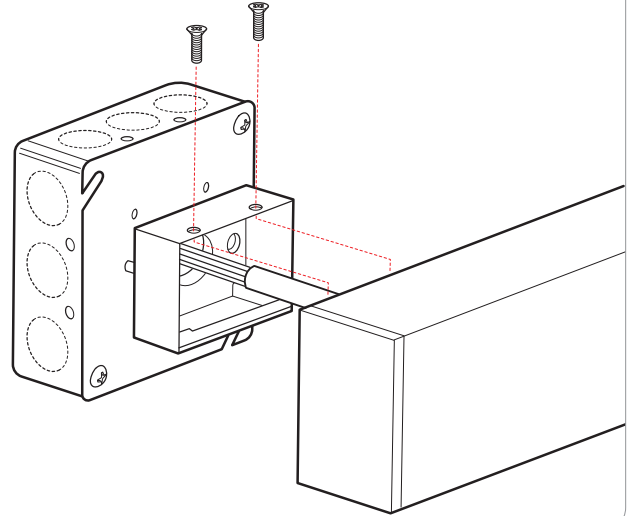
## INSTALLATION INSTRUCTIONS

- 3)** Lift the fixture near the ceiling or wall and complete all wiring connections.  
Align fixture cleats with mounting brackets. Attach 8-32 x .625L at mounting points. Tighten all screws to ensure the fixture is firmly attached to the cleats.

**SURFACE:** 4 per Cleat  
**WALL:** 2 per Cleat

### WIRING:

0-10V (+) : PURPLE	0-10V (-) : PINK
DALI (+) : PURPLE	DALI (-) : PINK
EcoSystem DALI (+) : PURPLE	EcoSystem DALI (-) : PINK
HOT : BLACK	
NEUTRAL : WHITE	
GROUND : GREEN	
CONSTANT HOT (EM) : RED	



**WARNING:** Ground fixture in accordance with local and national electrical codes. Failure to do so may result in serious personal injury.  
Fixture Installations should ONLY be done by a qualified licensed electrical professional.

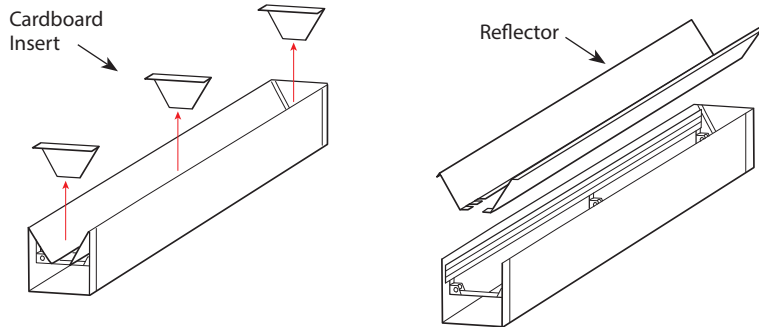


## INSTALLATION INSTRUCTIONS

**⚠ DO NOT BUILD ROWS ON FLOOR TO HOIST**    **👤 REQUIRES TWO PEOPLE TO INSTALL**    **CORD SHIPPED INSTALLED**

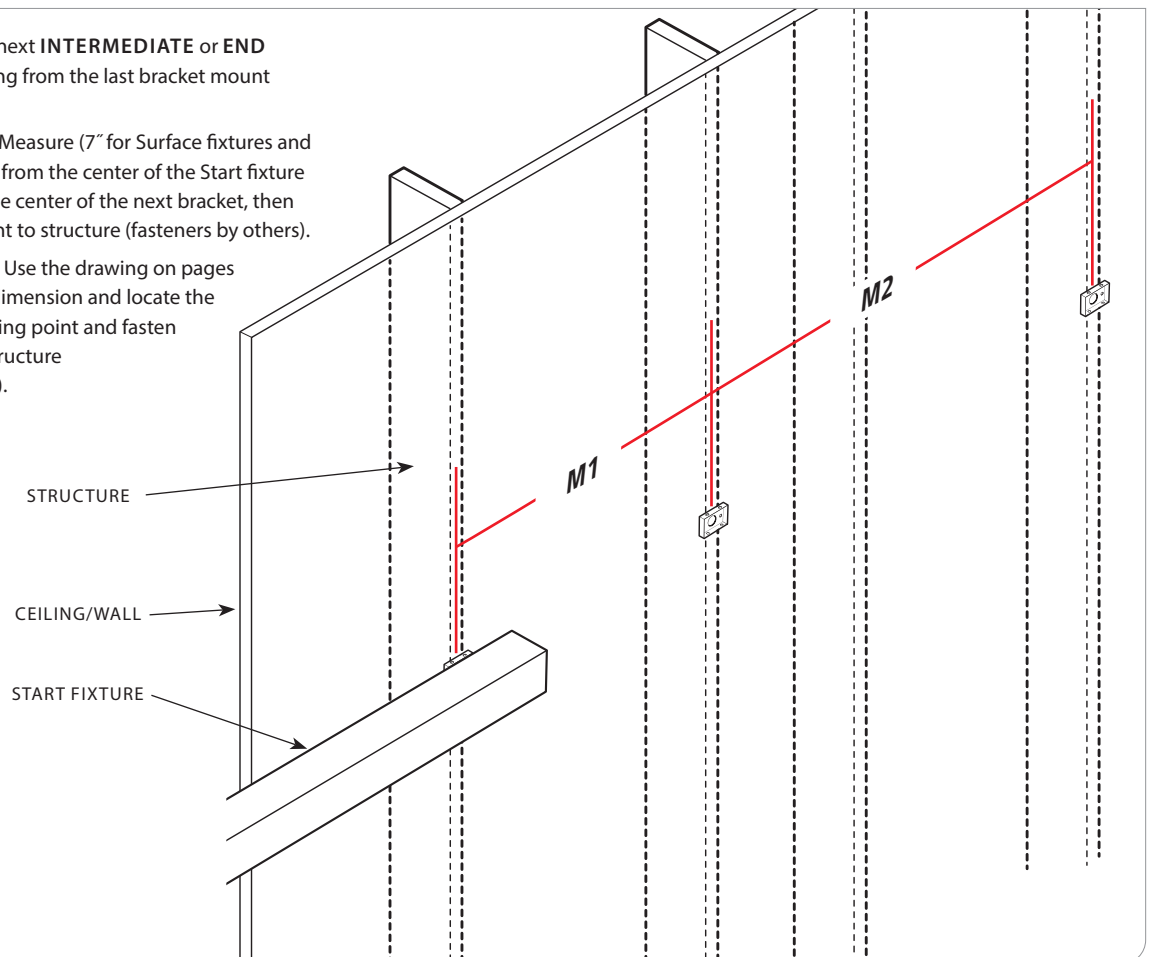
### ROW FIXTURE INSTALL

- 1)** Remove cardboard inserts and reflectors.  
Leave LED assembly in place.



- 2)** Continue to layout the next **INTERMEDIATE** or **END** fixture section measuring from the last bracket mount of the **START** fixture:

- **M1 DIMENSION:** Measure (7" for Surface fixtures and 16" for wall fixtures) from the center of the Start fixture bracket mount to the center of the next bracket, then fasten bracket mount to structure (fasteners by others).
- **M2 DIMENSION:** Use the drawing on pages 2 and 3 to find the dimension and locate the next bracket mounting point and fasten bracket mount to structure (fasteners by others).



**WARNING:** Ground fixture in accordance with local and national electrical codes. Failure to do so may result in serious personal injury.  
Fixture Installations should **ONLY** be done by a qualified licensed electrical professional.

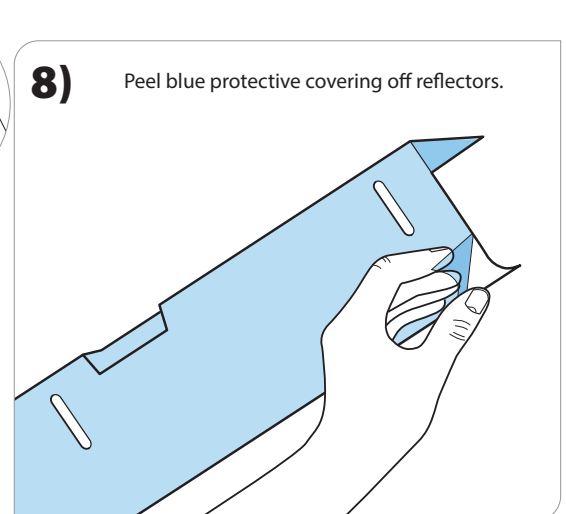
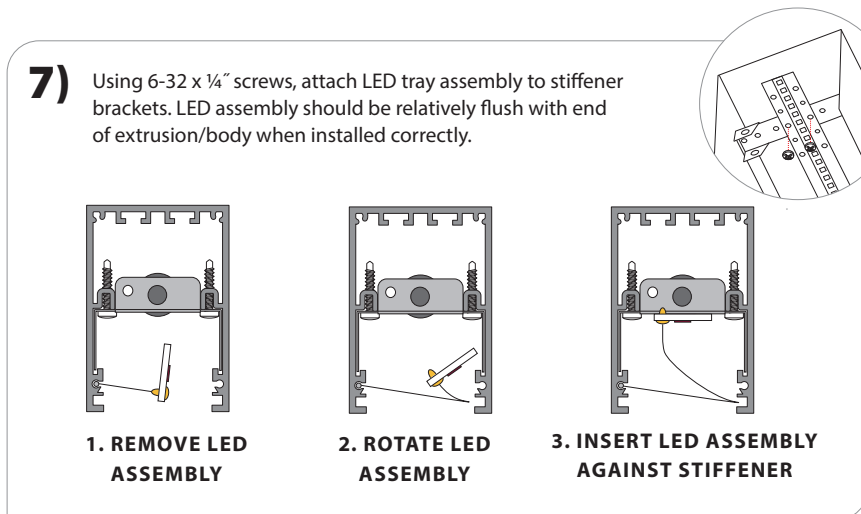
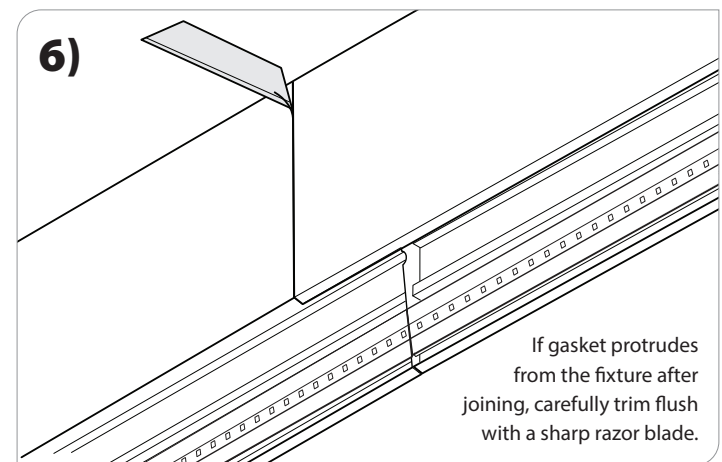
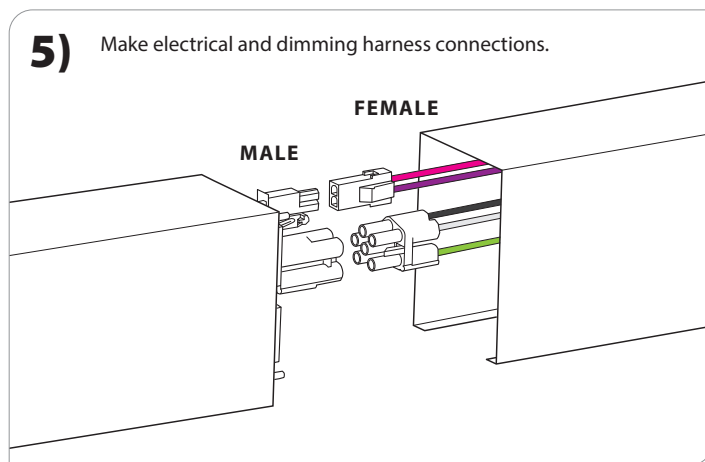
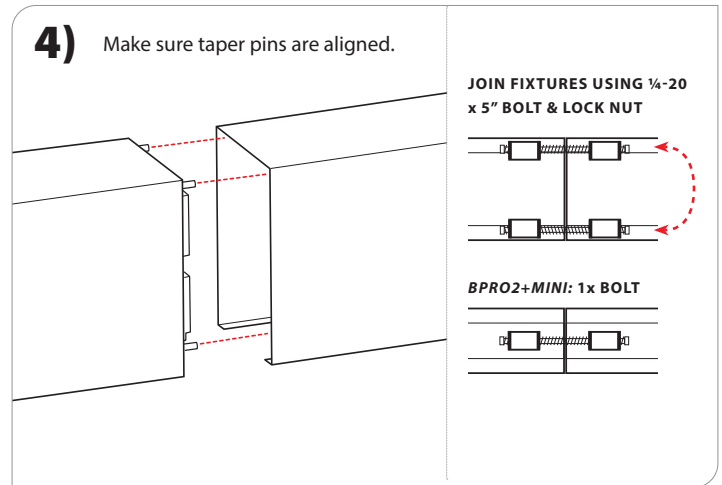
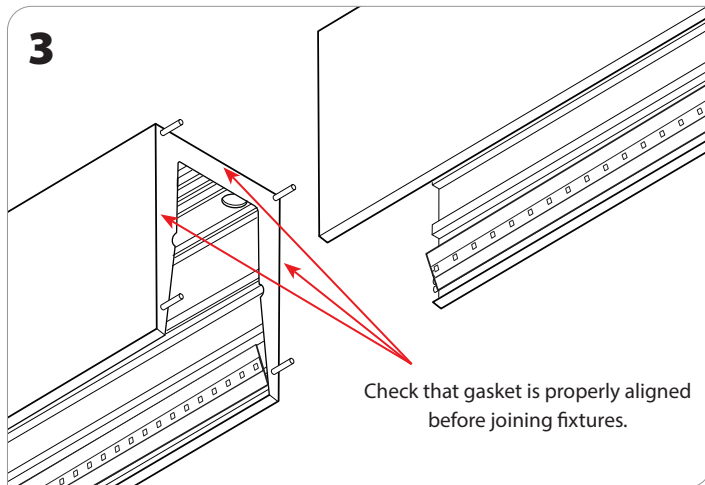
# BionicPro & BionicPro2 Mini Integral | Linear WMU/WMU1/WMU2 Surface+Wall — Brackets



PRUDENTIAL LTG.

PRULITE.COM 213.746.0360

## INSTALLATION INSTRUCTIONS



**WARNING:** Ground fixture in accordance with local and national electrical codes. Failure to do so may result in serious personal injury. Fixture Installations should ONLY be done by a qualified licensed electrical professional.

# BionicPro & BionicPro2 Mini Integral | Linear WMU/WMU1/WMU2 Surface+Wall — Brackets



PRUDENTIAL LTG.

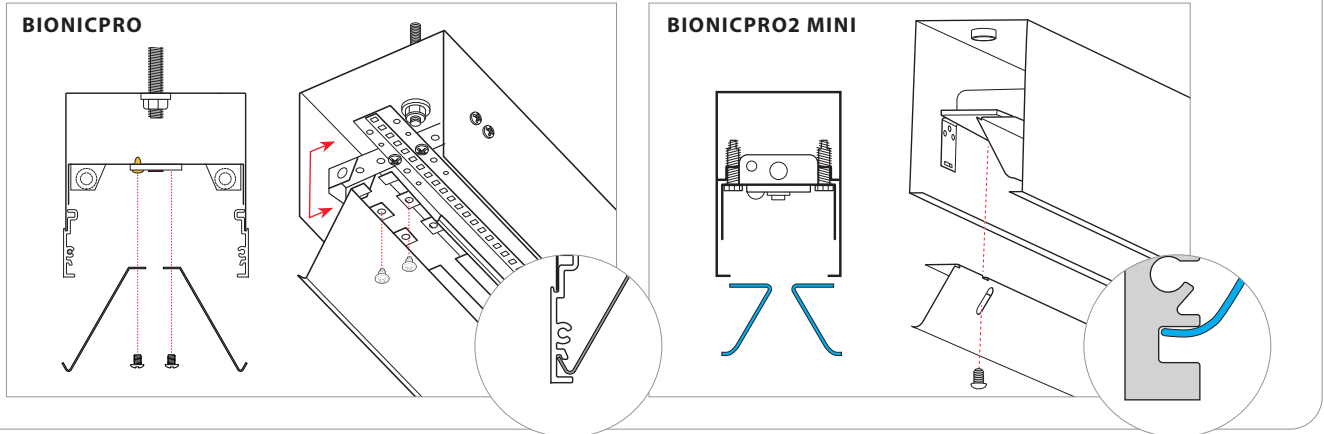
PRULITE.COM 213.746.0360

## INSTALLATION INSTRUCTIONS

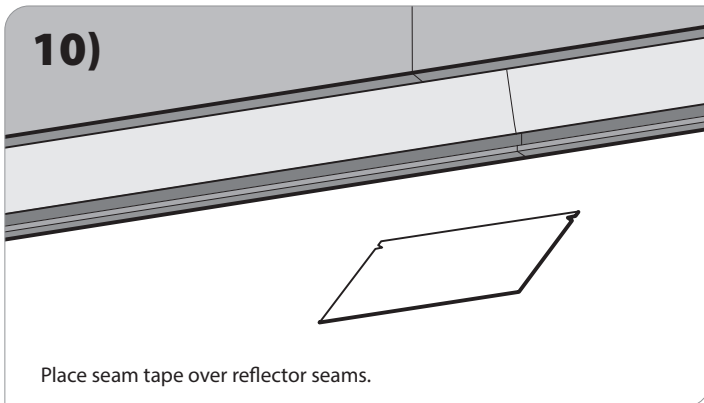
9)

Install reflectors to fixture by attaching them to LED assembly using 6-32 x 1/4" screws. Reflectors should be flush with end of LED assembly. Tuck wiring behind first installed reflector before installing the second.

Reflectors should be flush with end of LED assembly.

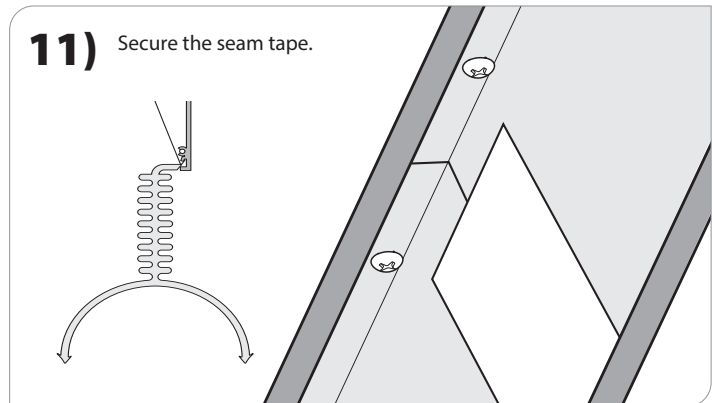


10)



Place seam tape over reflector seams.

11) Secure the seam tape.



**WARNING:** Ground fixture in accordance with local and national electrical codes. Failure to do so may result in serious personal injury. Fixture Installations should ONLY be done by a qualified licensed electrical professional.



## LENS INSTALLATION

**⚠️ ENERGIZE ROWS TO ENSURE ALL LEDS ARE WORKING BEFORE INSTALL** **👤 LENS REQUIRES TWO PEOPLE TO INSTALL**

### LENS ORIENTATION

**SAL** – Satin lens has both sides the same, reversible, no orientation

**BTW** – Batwing shiny side UP, matte frosted side DOWN.

**MGZ/WWG/PFL** – Wall Wash and Perimeter lenses, ribbed side UP (they can be seen and felt).

NOTE: WWG and PFL are the same with opposite orientation

**Stickers** indicate WALL and ROOM sides, but the lens also has engraving indicating each as shown.

**RECOMMENDED:** Start lens installation from LEFT to RIGHT.

START

INTERMEDIATE

END

## LENS INSTALLATION — IF ALL FIXTURES ARE ALREADY INSTALLED

**1)** Measure 18" from end cap. Using a pencil, place a small mark on the fixture.

**2)** Make sure lens is square.

**3)** Install tape strip **TIGHTLY** approximately 16" from start.

**TIGHT**  
tape strip

**4)** Insert lens into lens tool, then place just before **TIGHT** tape strip.



**INSTALLATION VIDEO**

**WARNING:** Ground fixture in accordance with local and national electrical codes. Failure to do so may result in serious personal injury. Fixture Installations should ONLY be done by a qualified licensed electrical professional.

# BionicPro & BionicPro2 Mini Integral | Linear WMU/WMU1/WMU2 Surface+Wall — Brackets

## INSTALLATION INSTRUCTIONS



PRUDENTIAL LTG.

PRULITE.COM 213.746.0360

**5)** Install **LOOSE** tape strip about 12" from start to hold lens parallel to fixture (easier to pull).

**6)** Pull lens through channel with fingers or non-marring pliers.

**NOTE:** Hold lens roll near ceiling, close to horizontal with fixture.

**7)** Use tape strip to pull lens into end cap.

**END OF ROW**

**8)** Make sure lens is tucked inside end cap.

**END OF ROW**

**9)** At start of fixture, remove tape strips and as a rough cut trim lens 1" past end cap.

**! MAKE SURE LENS IS TUCKED INTO END CAP AT END OF ROW AS SHOWN IN STEP 8**

**10)** Mark lens with pencil where you made the mark 18" from start of row inside fixture.

**! MAKE SURE LENS IS TUCKED INTO END CAP AT END OF ROW AS SHOWN IN STEP 8**

**11)** Measure 18 1/16" from mark on lens to near end of lens. Mark and trim lens.

**12)** Slide lens tool end cap to insert remaining lens, using other end of tool or fingers to insert at end cap.

**WARNING:** Ground fixture in accordance with local and national electrical codes. Failure to do so may result in serious personal injury. Fixture Installations should **ONLY** be done by a qualified licensed electrical professional.

**USA** Prudential Ltg. reserves the right to change design specifications or materials without notice. Please visit [prulite.com](http://prulite.com) for most current data. © 2025 All rights reserved – All products manufactured at: Prudential Ltg. 1774 E. 21st Street, Los Angeles, CA 90058



**INSTALLATION  
VIDEO**

13 of 16  
10-17-2025

# BionicPro & BionicPro2 Mini Integral | Linear WMU/WMU1/WMU2 Surface+Wall — Brackets

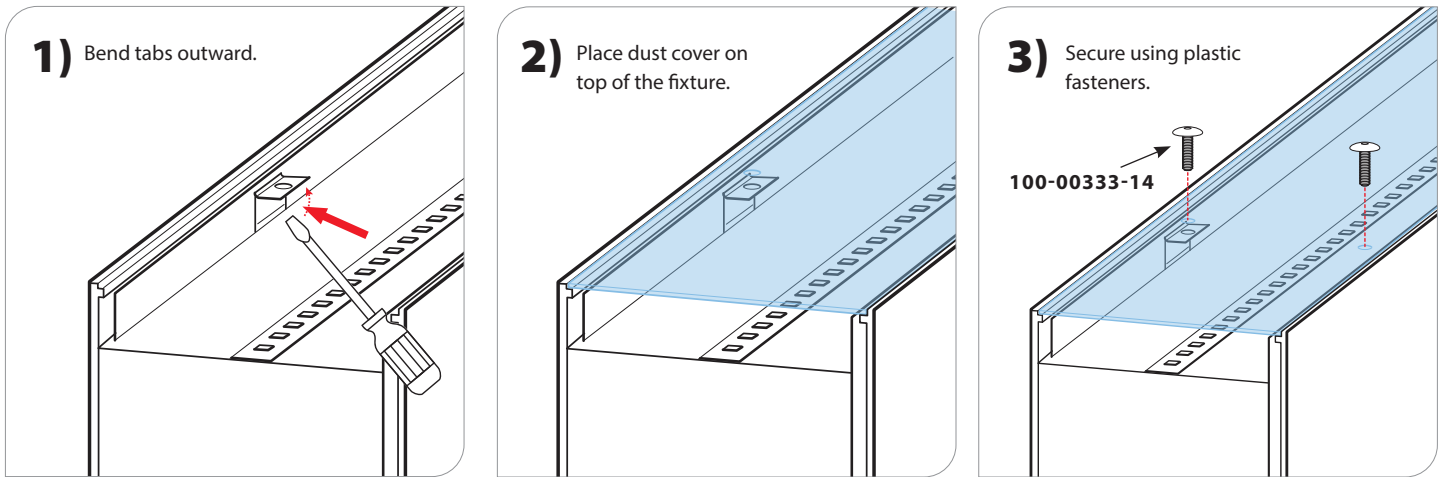


PRUDENTIAL LTG.

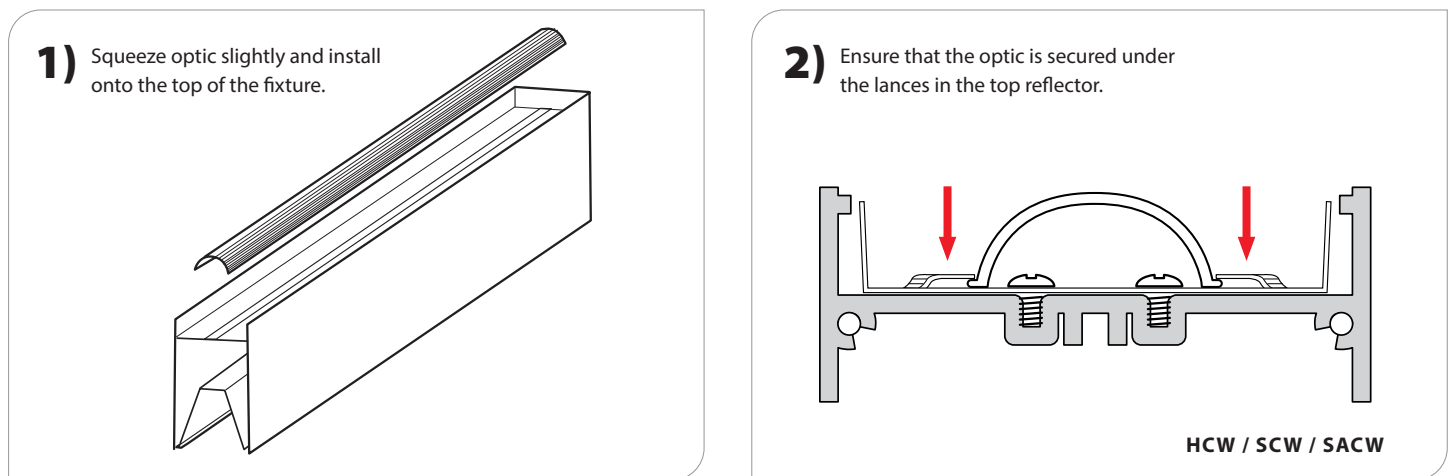
## INSTALLATION INSTRUCTIONS

PRULITE.COM 213.746.0360

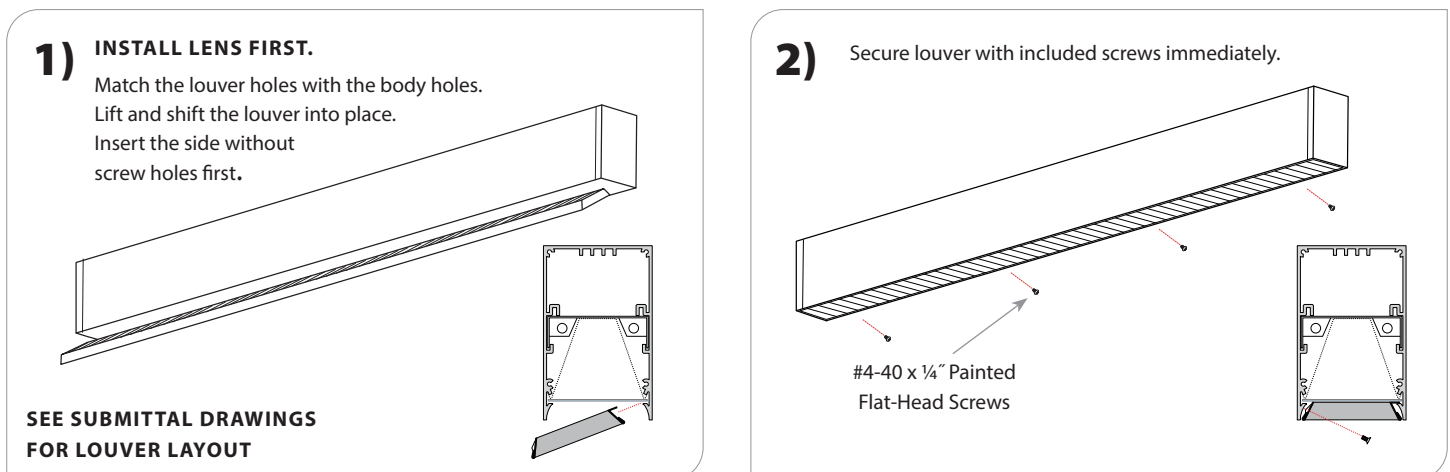
### DUST COVER \*CURRENTLY NOT AVAILABLE ON MINI\*



### INDIRECT OPTIC



### LOUVERS



**WARNING:** Ground fixture in accordance with local and national electrical codes. Failure to do so may result in serious personal injury. Fixture Installations should ONLY be done by a qualified licensed electrical professional.

# BionicPro & BionicPro2 Mini Integral | Linear WMU/WMU1/WMU2 Surface+Wall — Brackets

## INSTALLATION INSTRUCTIONS



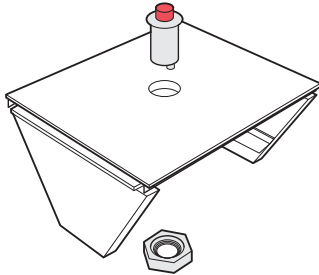
PRUDENTIAL LTG.

PRULITE.COM 213.746.0360

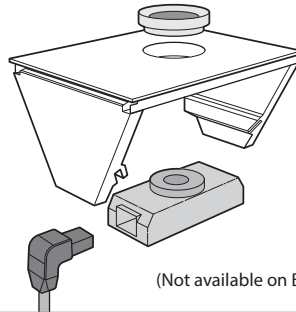
## ACCESSORY PLATE & SENSOR INSTALLATION

### SENSORS

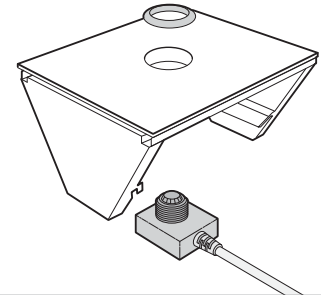
Iota Light/Switch



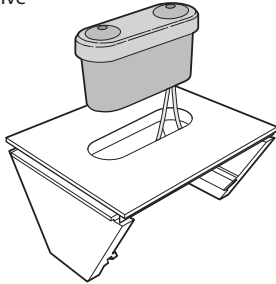
Acuity nLight



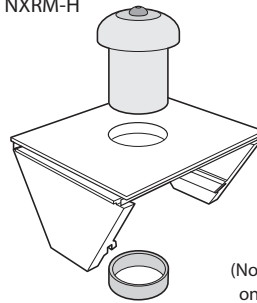
Wattstopper FS-205



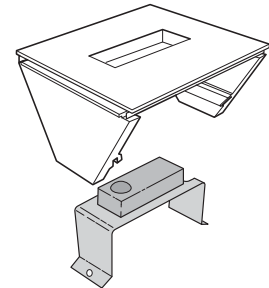
Lutron Vive



Hubbell NXRM-H



Hubbell NXSMP-SMI



**WARNING:** Ground fixture in accordance with local and national electrical codes. Failure to do so may result in serious personal injury.  
Fixture Installations should ONLY be done by a qualified licensed electrical professional.

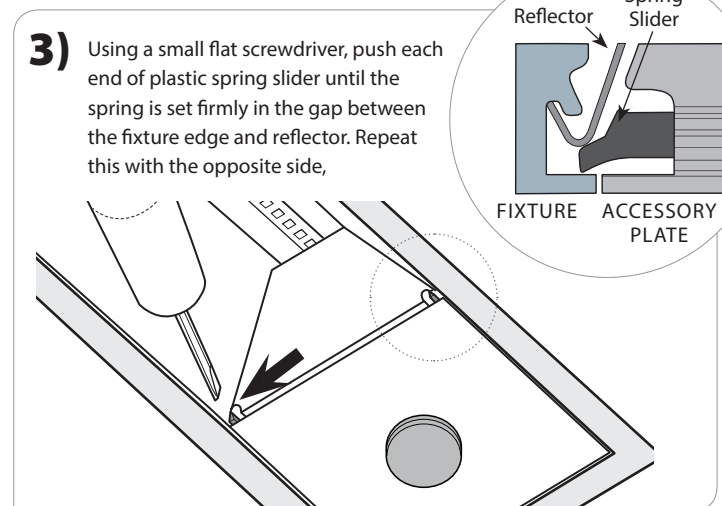
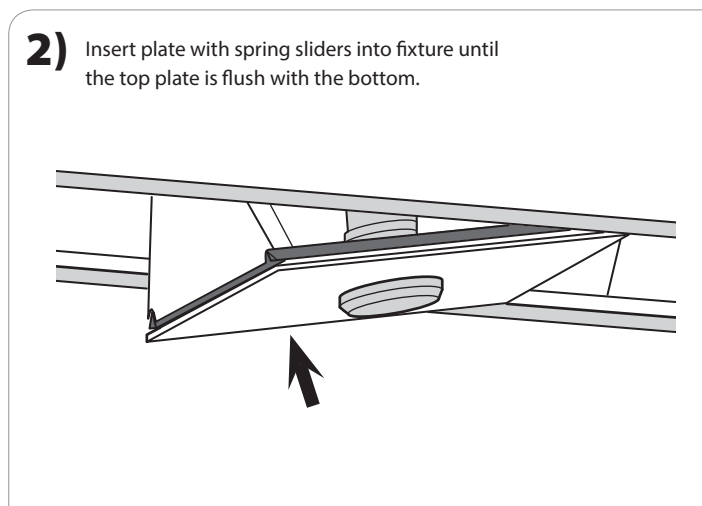
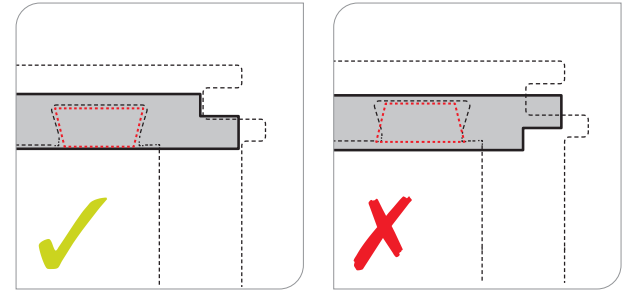
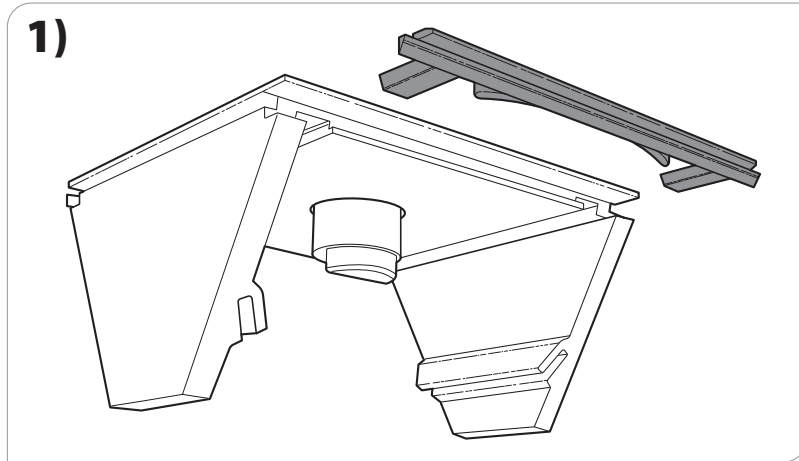


## INSTALLATION INSTRUCTIONS

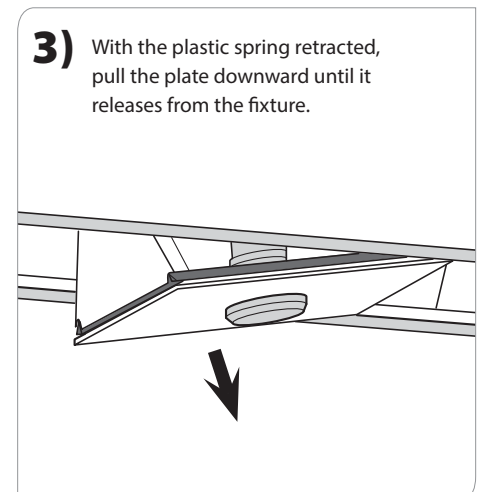
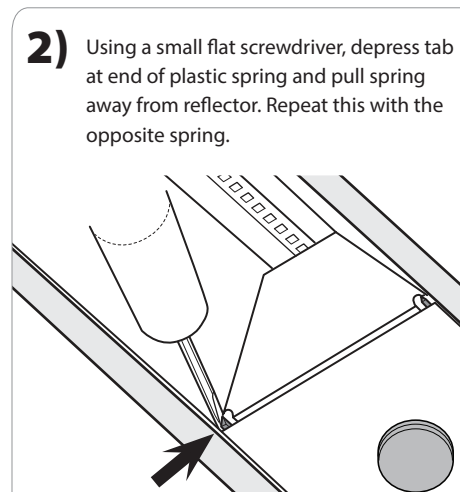
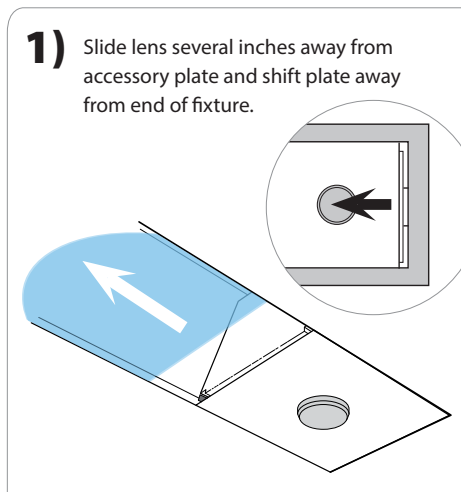
### ACCESSORY PLATE ASSEMBLY

Insert slider spring tabs into dovetail slots in the bottom of plate

Spring tabs must be oriented to match dovetails in plate



### ACCESSORY PLATE REMOVAL



**WARNING:** Ground fixture in accordance with local and national electrical codes. Failure to do so may result in serious personal injury. Fixture Installations should ONLY be done by a qualified licensed electrical professional.