

BionicPro & BionicPro2 Mini | Linear

SSC & RSC Stem Mount



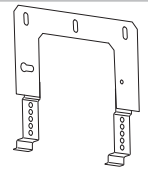
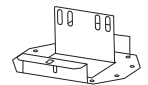


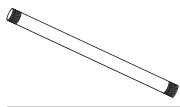





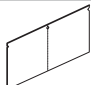











PRUDENTIAL LTG.

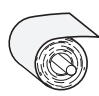
PRULITE.COM 213.746.0360

INSTALLATION INSTRUCTIONS

X1 T-BAR (ON-GRID)

PART	PART NO.	DESCRIPTION
CANOPY ASSEMBLY:		
	100-00025-29	Canopy Body
	100-00277-03	Canopy Cover
	100-01163-10 Black	Flex Boot
	100-01164-10 White	
	100-00273-03	SSC (Swivel) Canopy Yoke
	100-00274-03	SSC (Swivel) Center Block
	100-00275-03	SSC (Swivel) Canopy Stem Yoke
	100-00305-03	RSC (Rigid) Canopy Yoke
	100-00120-07	Install Assist Hook
	169515	SSC/RSC X1 Adaptor Yoke
	169516	SSC/RSC X1 Adaptor Sub Plate
	100-00050-14	Screw 8-32 x 7/8 TH MS Phil
	100-00128-14	Screw 8-32 x 5/8 Flat Phil Type F
		3/8" IPS Threaded Stem (Stems ordered over 8' will be provided in two pieces connected by a coupler)
	100-00058-20	Stem Coupler

PART	PART NO.	DESCRIPTION
	100-00283-14	1/4-20 x 5.0 Round Head Combination Drive Machine Screw
	100-00255-14	1/4-20 KEPS Hex Nut
	100-01177-10	Seam Tape
	100-00010-14	8-32 Hex Nut
	100-00068-14	Washer 1/4" Internal Tooth
	100-00279-14	Screw 8 x 1/4 Slotted SMS Type B
	100-00005-14	Screw 1/4-20 x 3/8 Round HD
	100-00255-14	Lock Washer 1/4-20 Keps
	100-00302-03	SSC/RSC Lock Nut
	100-00464-17	SSC/RSC Lock Nut Gasket (Thick)
	100-00463-17	SSC/RSC Lock Nut Friction Ring (Thin)
	100-00462-10	2" — BionicPro Lens Tool — White
	100-00464-10	3" — BionicPro Lens Tool — Natural
	100-00465-10	4" — BionicPro Lens Tool — Black
	100-00463-10	5" — BionicPro Lens Tool — White
	100-00040-20	Tape Strips
	82484	Lens Removal Tool (maintenance only)

PARTS LIST	SIZE	PART NO.	SAL	BTW	WWF	PFL/WWG	NGZ	MGZ	WGZ
	2" —	100-00966-18		100-00961-18	100-00973-18	100-00978-18	100-00983-18	100-01004-18	100-00988-18
	3" —	100-00967-18		100-00962-18	100-00974-18	100-00979-18	100-00984-18	100-01005-18	100-00989-18
	4" —	100-00968-18		100-00963-18	100-00975-18	100-00980-18	100-00985-18	100-01006-08	100-00990-18
	5" —	100-00969-18		100-00964-18	100-00976-18	100-00981-18	100-00986-18	100-01007-18	100-00991-18

WARNING: Ground fixture in accordance with local and national electrical codes. Failure to do so may result in serious personal injury. Fixture Installations should ONLY be done by a qualified licensed electrical professional.

BionicPro & BionicPro2 Mini | Linear

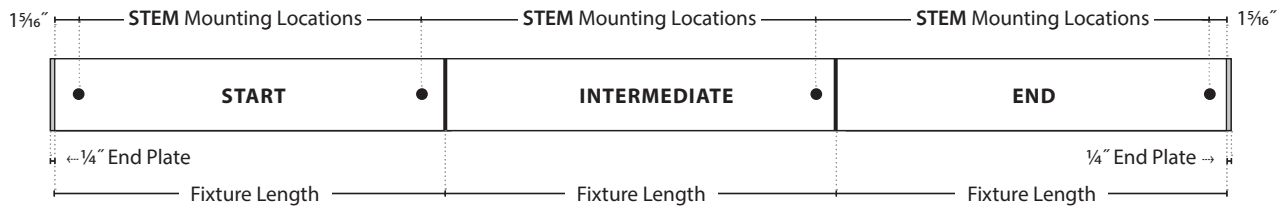
SSC & RSC Stem Mount



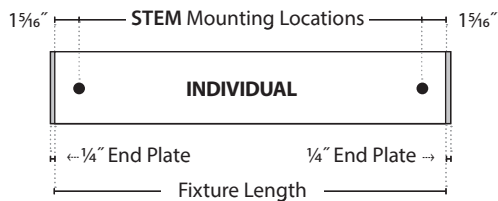
INSTALLATION INSTRUCTIONS

X1 T-BAR (ON-GRID)

STEM (SSC/RSC) — MOUNTING

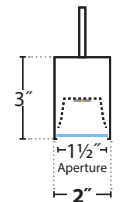


INDIVIDUAL:



	STEM LOCATIONS	
	Start / Individual	Intermediate / End
2'	24"	21 3/8"
3'	36"	33 3/8"
4'	48"	45 3/8"
5'	60"	57 3/8"
6'	72"	69 3/8"
7'	84"	81 3/8"
8'	96"	93 3/8"

R/SSC — STEM



WARNING: Ground fixture in accordance with local and national electrical codes. Failure to do so may result in serious personal injury. Fixture Installations should ONLY be done by a qualified licensed electrical professional.

BionicPro & BionicPro2 Mini | Linear

SSC & RSC Stem Mount



PRUDENTIAL LTG.

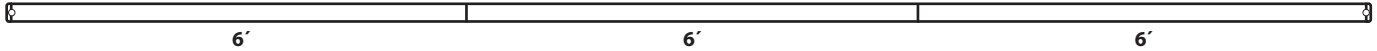
PRULITE.COM 213.746.0360

INSTALLATION INSTRUCTIONS

18' STANDARD ROW LENGTH:



18' SYMMETRIC ROW LENGTH (SRL):



STANDARD

ROW LENGTH		
9'	5+4	5FT STR + 4FT END
10'	6+4	6FT STR + 4FT END
11'	7+4	7FT STR + 4FT END
12'	8+4	8FT STR + 4FT END
13'	8+5	8FT STR + 5FT END
14'	8+6	8FT STR + 6FT END
15'	8+7	8FT STR + 7FT END
16'	8+8	8FT STR + 8FT END
17'	8+5+4	8FT STR + 5FT INT + 4FT END
18'	8+6+4	8FT STR + 6FT INT + 4FT END
19'	8+7+4	8FT STR + 7FT INT + 4FT END
20'	8+8+4	8FT STR + 8FT INT + 4FT END
21'	8+8+5	8FT STR + 8FT INT + 5FT END
22'	8+8+6	8FT STR + 8FT INT + 6FT END
23'	8+8+7	8FT STR + 8FT INT + 7FT END
24'	8+8+8	8FT STR + 8FT INT + 8FT END
25'	8+8+5+4	8FT STR + 8FT INT + 5FT INT + 4FT END
26'	8+8+6+4	8FT STR + 8FT INT + 6FT INT + 4FT END
27'	8+8+7+4	8FT STR + 8FT INT + 7FT INT + 4FT END
28'	8+8+8+4	8FT STR + (2) 8FT INT + 4FT END
29'	8+8+8+5	8FT STR + (2) 8FT INT + 5FT END
30'	8+8+8+6	8FT STR + (2) 8FT INT + 6FT END
31'	8+8+8+7	8FT STR + (2) 8FT INT + 7FT END
32'	8+8+8+8	8FT STR + (2) 8FT INT + 8FT END
33'	8+8+8+5+4	8FT STR + (2) 8FT INT + 5FT INT + 4FT END
34'	8+8+8+6+4	8FT STR + (2) 8FT INT + 6FT INT + 4FT END
35'	8+8+8+7+4	8FT STR + (2) 8FT INT + 7FT INT + 4FT END
36'	8+8+8+8+4	8FT STR + (3) 8FT INT + 4FT END
37'	8+8+8+8+5	8FT STR + (3) 8FT INT + 5FT END
38'	8+8+8+8+6	8FT STR + (3) 8FT INT + 6FT END
39'	8+8+8+8+7	8FT STR + (3) 8FT INT + 7FT END
40'	8+8+8+8+8	8FT STR + (3) 8FT INT + 8FT END
41'	8+8+8+8+5+4	8FT STR + (3) 8FT INT + 5FT INT + 4FT END
42'	8+8+8+8+6+4	8FT STR + (3) 8FT INT + 6FT INT + 4FT END
43'	8+8+8+8+7+4	8FT STR + (3) 8FT INT + 7FT INT + 4FT END
44'	8+8+8+8+8+4	8FT STR + (4) 8FT INT + 4FT END
45'	8+8+8+8+8+5	8FT STR + (4) 8FT INT + 5FT END
46'	8+8+8+8+8+6	8FT STR + (4) 8FT INT + 6FT END
47'	8+8+8+8+8+7	8FT STR + (4) 8FT INT + 7FT END
48'	8+8+8+8+8+8	8FT STR + (4) 8FT INT + 8FT END
49'	8+8+8+8+8+5+4	8FT STR + (4) 8FT INT + 5FT INT + 4FT END
50'	8+8+8+8+8+6+4	8FT STR + (4) 8FT INT + 6FT INT + 4FT END

SYMMETRICAL

ROW LENGTH		
9'	3+3+3	3FT STR + 3FT INT + 3FT END
10'	5+5	5FT STR + 5FT END
11'	4+3+4	4FT STR + 3FT INT + 4FT END
12'	6+6	6FT STR + 6FT END
13'	4+5+4	4FT STR + 5FT INT + 4FT END
14'	7+7	7FT STR + 7FT END
15'	5+5+5	5FT STR + 5FT INT + 5FT END
16'	8+8	8FT STR + 8FT END
17'	6+5+6	6FT STR + 5FT INT + 6FT END
18'	6+6+6	6FT STR + 6FT INT + 6FT END
19'	6+7+6	6FT STR + 7FT INT + 6FT END
20'	8+4+8	8FT STR + 4FT INT + 8FT END
21'	8+5+8	8FT STR + 5FT INT + 8FT END
22'	8+6+8	8FT STR + 6FT INT + 8FT END
23'	8+7+8	8FT STR + 7FT INT + 8FT END
24'	8+8+8	8FT STR + 8FT INT + 8FT END
25'	6+4+5+4+6	6FT STR + 4FT INT + 5FT INT + 4FT INT + 6FT END
26'	8+5+5+8	8FT STR + (2) 5FT INT + 8FT END
27'	6+5+5+5+6	6FT STR + (3) 5FT INT + 6FT END
28'	8+6+6+8	8FT STR + (2) 6FT INT + 8FT END
29'	8+4+5+4+8	8FT STR + 4FT INT + 5FT INT + 4FT INT + 8FT END
30'	8+7+7+8	8FT STR + (2) 7FT INT + 8FT END
31'	8+5+5+5+8	8FT STR + (3) 5FT INT + 8FT END
32'	8+8+8+8	8FT STR + (2) 8FT INT + 8FT END
33'	8+6+5+6+8	8FT STR + 6FT INT + 5FT INT + 6FT INT + 8FT END
34'	8+6+6+6+8	8FT STR + 6FT INT + 6FT INT + 6FT INT + 8FT END
35'	8+6+7+6+8	8FT STR + 6FT INT + 7FT INT + 6FT INT + 8FT END
36'	8+8+4+8+8	8FT STR + 8FT INT + 4FT INT + 8FT INT + 8FT END
37'	8+8+5+8+8	8FT STR + 8FT INT + 5FT INT + 8FT INT + 8FT END
38'	8+8+6+8+8	8FT STR + 8FT INT + 6FT INT + 8FT INT + 8FT END
39'	8+8+7+8+8	8FT STR + 8FT INT + 7FT INT + 8FT INT + 8FT END
40'	8+8+8+8+8	8FT STR + (3) 8FT INT + 8FT END
41'	8+6+4+5+4+6+8	8FT STR + 6FT INT + 4FT INT + 5FT INT + 4FT INT + 6FT INT + 8FT END
42'	8+8+5+5+8+8	8FT STR + 8FT INT + (2) 5FT INT + 8FT INT + 8FT END
43'	8+6+5+5+5+6+8	8FT STR + 6FT INT + (3) 5FT INT + 6FT INT + 8FT END
44'	8+8+6+6+8+8	8FT STR + 8FT INT + (2) 6FT INT + 8FT INT + 8FT END
45'	8+8+4+5+4+8+8	8FT STR + 8FT INT + 4FT INT + 5FT INT + 4FT INT + 8FT INT + 8FT END
46'	8+8+7+7+8+8	8FT STR + 8FT INT + (2) 7FT INT + 8FT INT + 8FT END
47'	8+8+5+5+5+8+8	8FT STR + 8FT INT + (3) 5FT INT + 8FT INT + 8FT END
48'	8+8+8+8+8+8	8FT STR + (4) 8FT INT + 8FT END
49'	8+8+6+5+6+8+8	8FT STR + 8FT INT + 6FT INT + 5FT INT + 6FT INT + 8FT INT + 8FT END
50'	8+8+6+6+6+8+8	8FT STR + 8FT INT + (3) 6FT INT + 8FT INT + 8FT END



BionicPro & BionicPro2 Mini | Linear

SSC & RSC Stem Mount



PRUDENTIAL LTG.

PRULITE.COM 213.746.0360

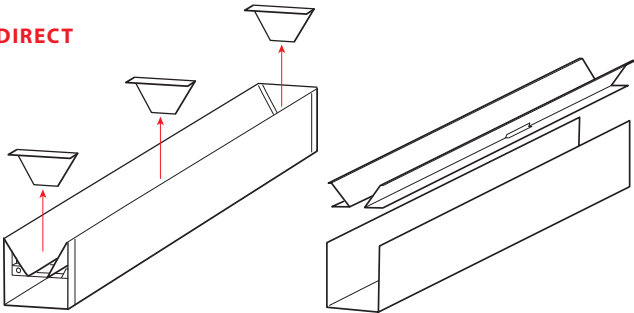
INSTALLATION INSTRUCTIONS

X1 T-BAR (ON-GRID)

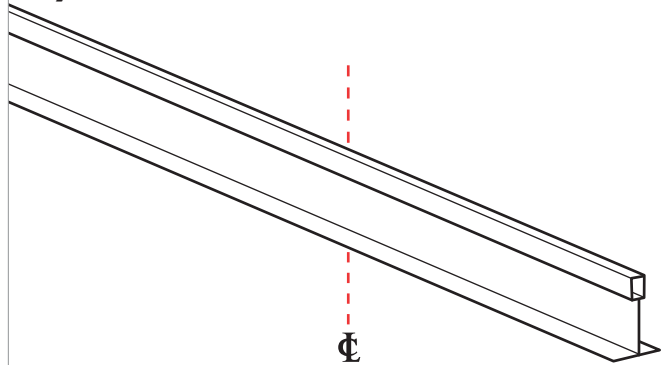
MAY REQUIRE TWO PEOPLE TO INSTALL

- 1)** If installation contains rows, Remove cardboard inserts and reflectors. Leave LED assembly in place. If individual, proceed to step 2

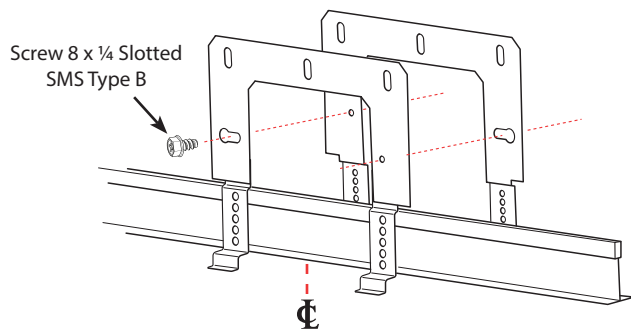
DIRECT



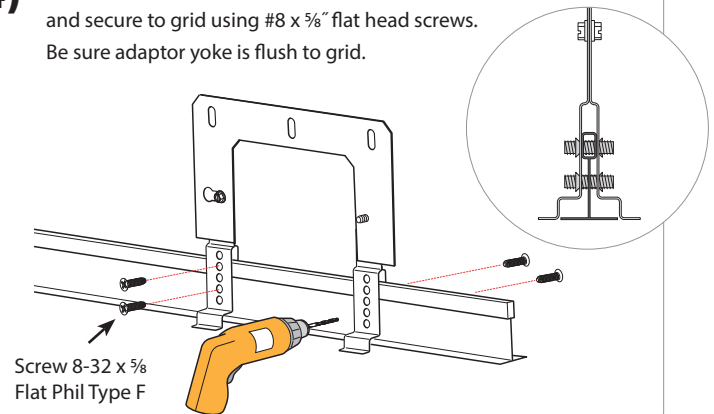
- 2)** Locate mounting point on t-bar and remove acoustic panels.



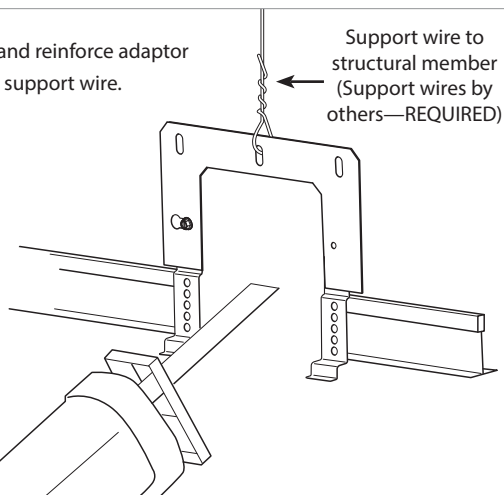
- 3)** Attach Adaptor Yoke brackets to T-bar using #8 x 1/4 sheet metal screws. Light fixture will be centered between legs of yoke bracket.



- 4)** Drill 1/8" pilot hole through holes in adaptor yoke brackets and secure to grid using #8 x 5/8" flat head screws. Be sure adaptor yoke is flush to grid.



- 5)** Cut t-bar and reinforce adaptor yoke with support wire.

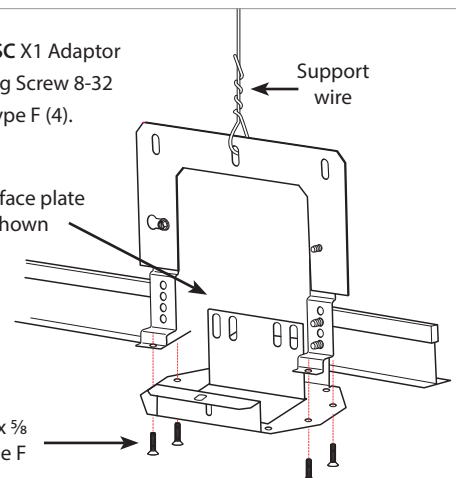


Support wire to structural member (Support wires by others—REQUIRED)

- 6)** Attach SSC/RSC X1 Adaptor Sub Plate using Screw 8-32 x 5/8 Flat Phil Type F (4).

Be sure J-Box surface plate is formed up as shown

Screw 8-32 x 5/8 Flat Phil Type F



WARNING: Ground fixture in accordance with local and national electrical codes. Failure to do so may result in serious personal injury. Fixture Installations should ONLY be done by a qualified licensed electrical professional.

BionicPro & BionicPro2 Mini | Linear SSC & RSC Stem Mount



PRUDENTIAL LTG.

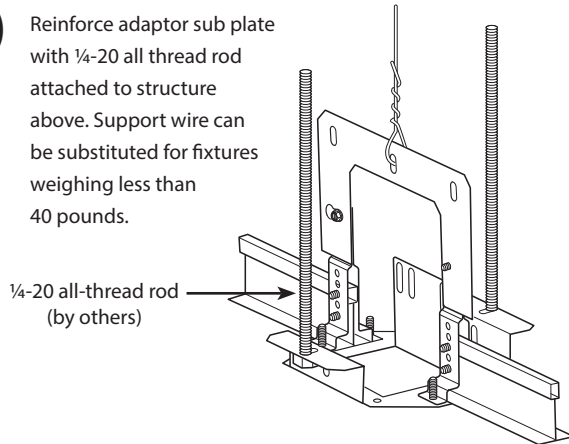
PRULITE.COM 213.746.0360

INSTALLATION INSTRUCTIONS

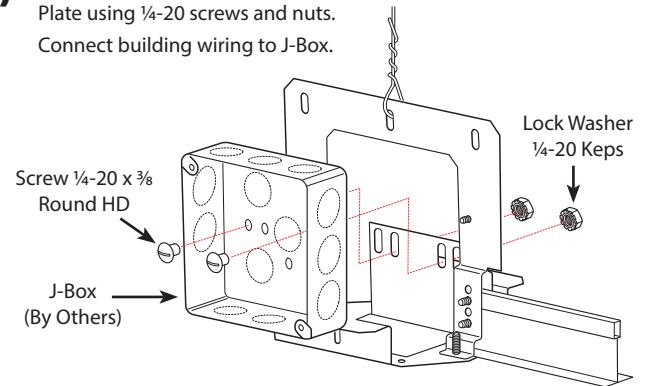
X1 T-BAR (ON-GRID)

👤👤 MAY REQUIRE TWO PEOPLE TO INSTALL

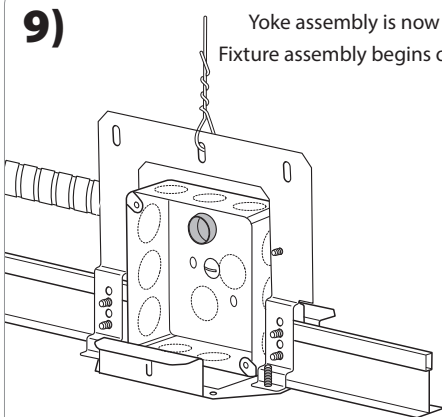
- 7)** Reinforce adaptor sub plate with 1/4-20 all thread rod attached to structure above. Support wire can be substituted for fixtures weighing less than 40 pounds.



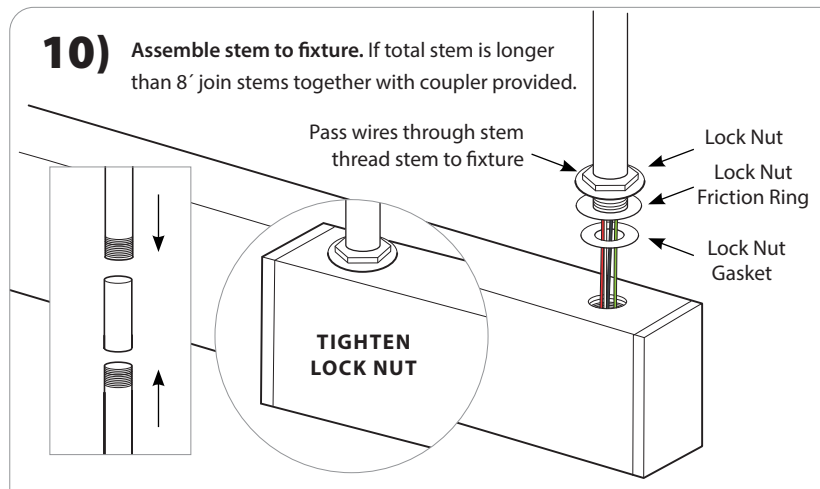
- 8)** Assemble J-Box to adaptor Sub Plate using 1/4-20 screws and nuts. Connect building wiring to J-Box.



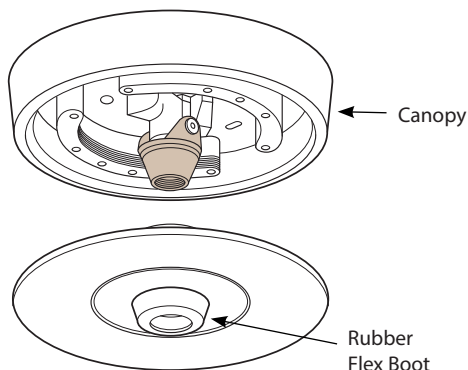
- 9)** Yoke assembly is now complete. Fixture assembly begins on step 10.



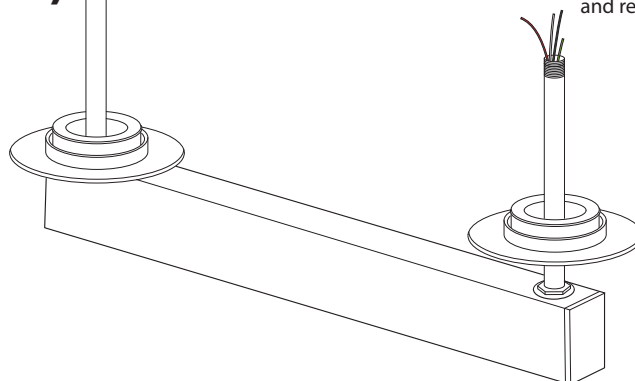
- 10)** Assemble stem to fixture. If total stem is longer than 8' join stems together with coupler provided.



- 11)** Remove canopy cover & rubber flex boot from canopy.



- 12)** Place canopy cover and flex boot over stem and rest on top of fixture



WARNING: Ground fixture in accordance with local and national electrical codes. Failure to do so may result in serious personal injury. Fixture Installations should ONLY be done by a qualified licensed electrical professional.

BionicPro & BionicPro2 Mini | Linear

SSC & RSC Stem Mount



PRUDENTIAL LTG.

PRULITE.COM 213.746.0360

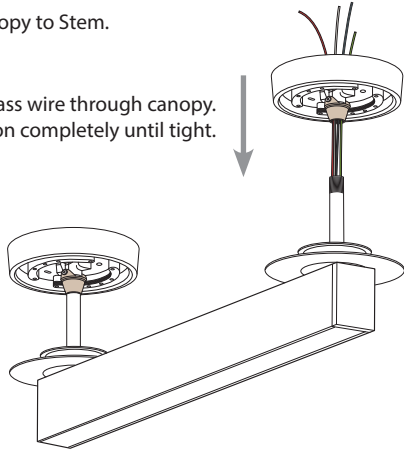
INSTALLATION INSTRUCTIONS

X1 T-BAR (ON-GRID)

👤👤 MAY REQUIRE TWO PEOPLE TO INSTALL

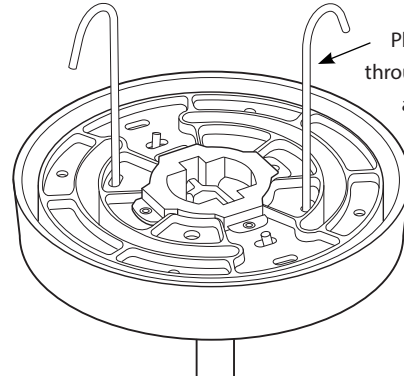
13) Attach canopy to Stem.

Pass wire through canopy.
Screw canopy on completely until tight.



14) Insert installation hooks.

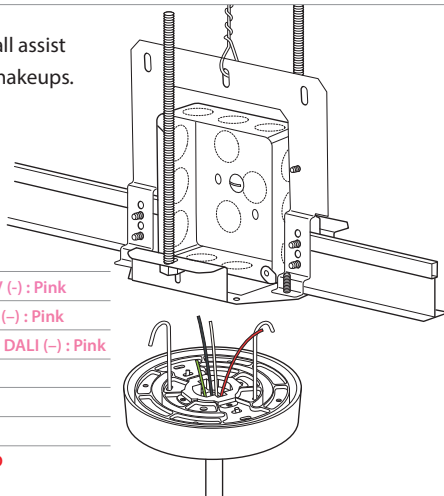
Place hooks through openings as shown



15) Hang fixture using install assist hooks & perform wire makeups.

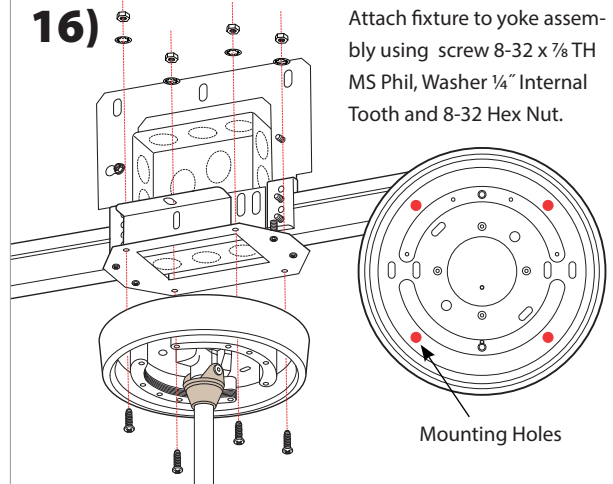
WIRING:

0-10V (+) : Purple	0-10V (-) : Pink
DALI (+) : Purple	DALI (-) : Pink
EcoSystem DALI (+) : Purple	EcoSystem DALI (-) : Pink
HOT : BLACK	
NEUTRAL : WHITE	
GROUND : GREEN	
CONSTANT HOT (EM) : RED	

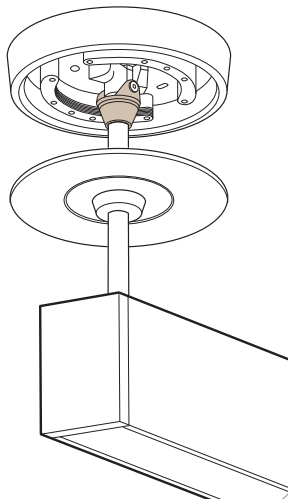
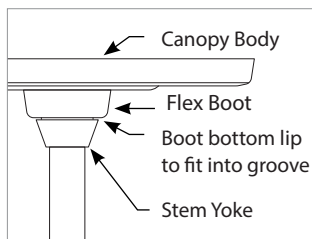


16)

Attach fixture to yoke assembly using screw 8-32 x 7/8 TH MS Phil, Washer 1/4" Internal Tooth and 8-32 Hex Nut.



17) Set Flex Boot in place and screw on canopy.



WARNING: Ground fixture in accordance with local and national electrical codes. Failure to do so may result in serious personal injury. Fixture Installations should ONLY be done by a qualified licensed electrical professional.

BionicPro & BionicPro2 Mini | Linear

SSC & RSC Stem Mount



PRUDENTIAL LTG.

PRULITE.COM 213.746.0360

INSTALLATION INSTRUCTIONS

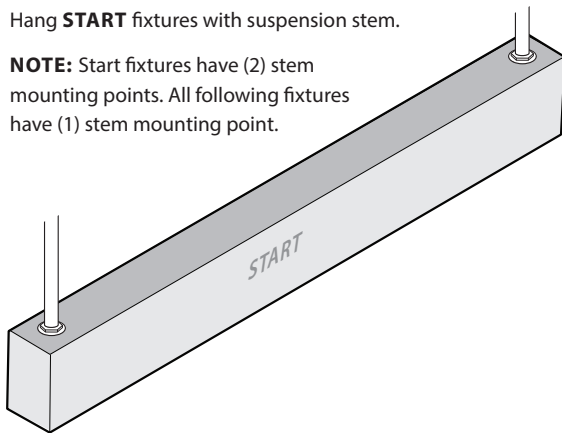
X1 T-BAR (ON-GRID)

⚠ DO NOT BUILD ROWS ON FLOOR TO HOIST **👤👤 REQUIRES TWO PEOPLE TO INSTALL**

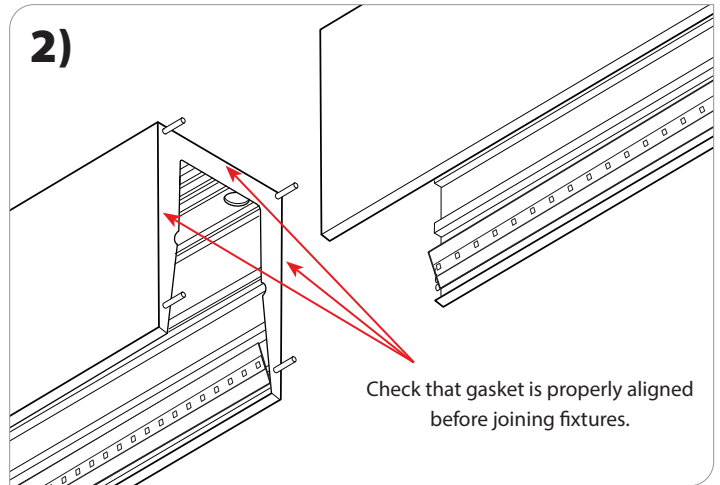
FOR ROW MOUNTING

1) Hang **START** fixtures with suspension stem.

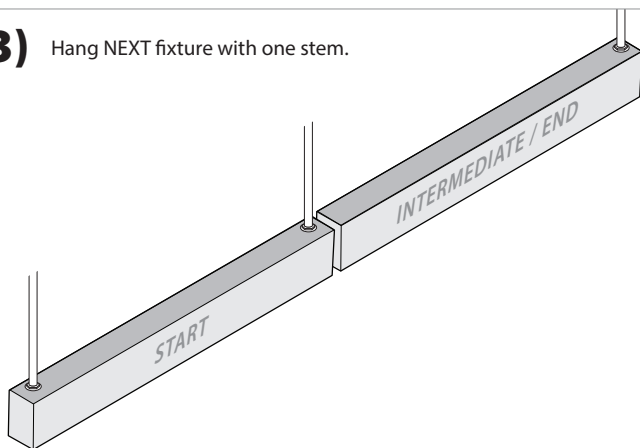
NOTE: Start fixtures have (2) stem mounting points. All following fixtures have (1) stem mounting point.



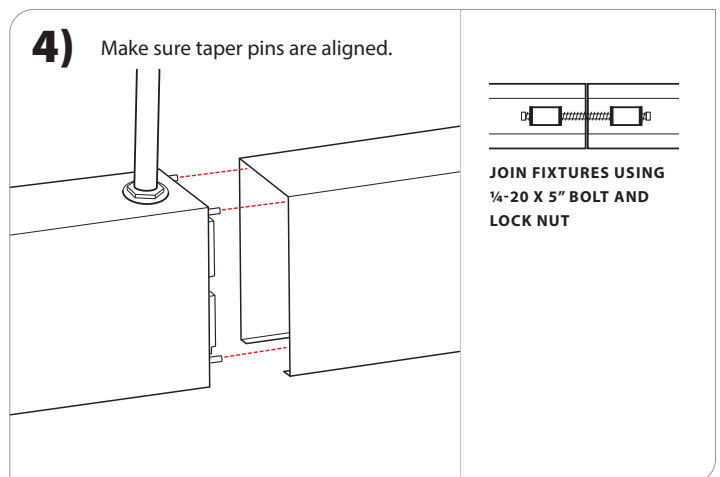
2)



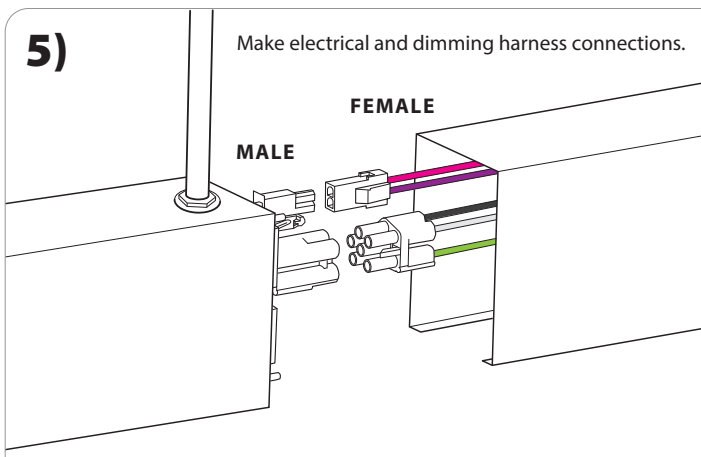
3) Hang **NEXT** fixture with one stem.



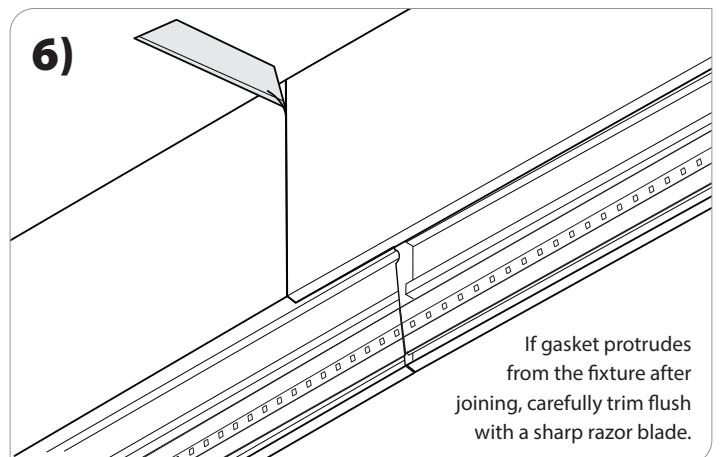
4) Make sure taper pins are aligned.



5) Make electrical and dimming harness connections.



6)



WARNING: Ground fixture in accordance with local and national electrical codes. Failure to do so may result in serious personal injury. Fixture Installations should ONLY be done by a qualified licensed electrical professional.

BionicPro & BionicPro2 Mini | Linear

SSC & RSC Stem Mount



PRUDENTIAL LTG.

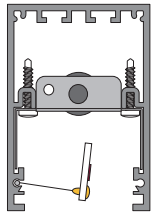
PRULITE.COM 213.746.0360

INSTALLATION INSTRUCTIONS

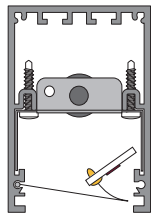
X1 T-BAR (ON-GRID)

⚠ DO NOT BUILD ROWS ON FLOOR TO HOIST **👤👤 REQUIRES TWO PEOPLE TO INSTALL**

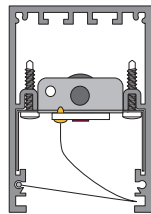
7) Using 6-32 x 1/4" screws, attach LED tray assembly to stiffener brackets. LED assembly should be relatively flush with end of extrusion/body when installed correctly.



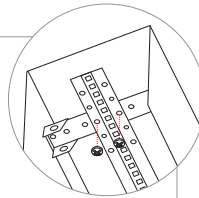
1. REMOVE LED ASSEMBLY



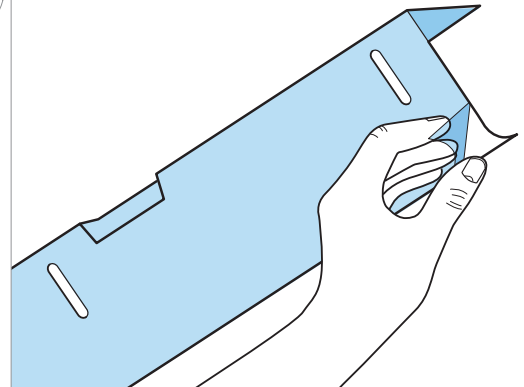
2. ROTATE LED ASSEMBLY



3. INSERT LED ASSEMBLY AGAINST STIFFENER

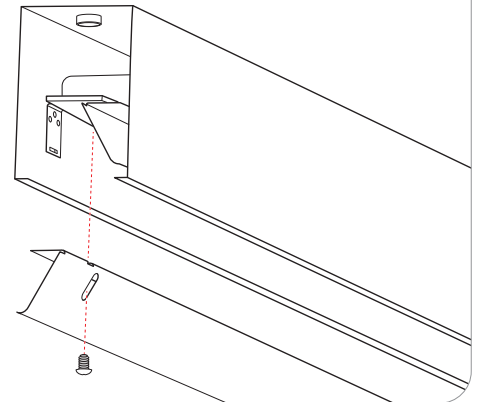
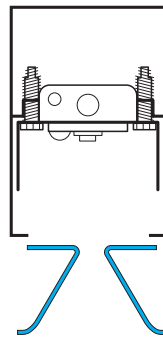


8) Peel blue protective covering off reflectors.

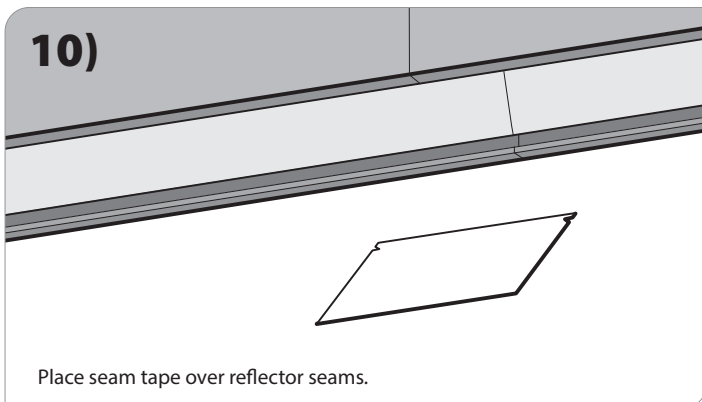


9) Install reflectors to fixture by attaching them to LED assembly using 6-32 x 1/4" screws. Reflectors should be flush with end of LED assembly. Tuck wiring behind first installed reflector before installing the second.

Reflectors should be flush with end of LED assembly.

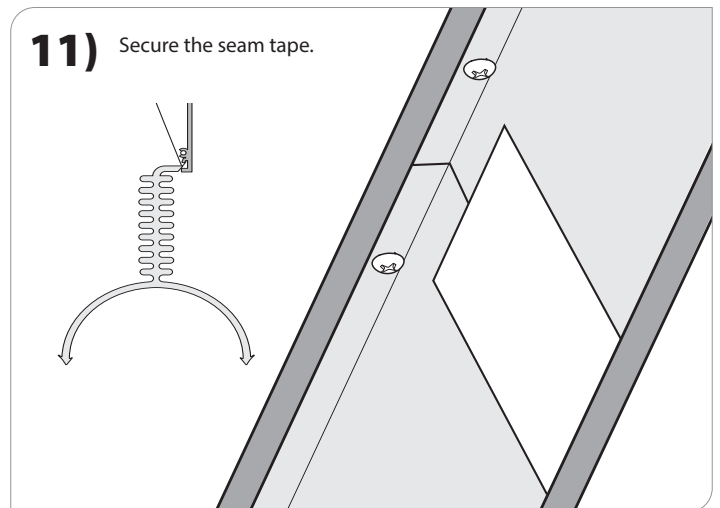


10)



Place seam tape over reflector seams.

11) Secure the seam tape.



WARNING: Ground fixture in accordance with local and national electrical codes. Failure to do so may result in serious personal injury. Fixture Installations should ONLY be done by a qualified licensed electrical professional.



LENS INSTALLATION

⚠️ ENERGIZE ROWS TO ENSURE ALL LEDS ARE WORKING BEFORE INSTALL **👤 LENS REQUIRES TWO PEOPLE TO INSTALL**

LENS ORIENTATION

SAL – Satin lens has both sides the same, reversible, no orientation

BTW – Batwing shiny side UP, matte frosted side DOWN.

MGZ/WWG/PFL – Wall Wash and Perimeter lenses, ribbed side UP (they can be seen and felt).

NOTE: WWG and PFL are the same with opposite orientation

Stickers indicate **WALL** and **ROOM** sides, but the lens also has engraving indicating each as shown.

RECOMMENDED: Start lens installation from **LEFT** to **RIGHT**.

START

INTERMEDIATE

END

LENS INSTALLATION — IF ALL FIXTURES ARE ALREADY INSTALLED

- 1)** Measure 18" from end cap. Using a pencil, place a small mark on the fixture.
- 2)** Make sure lens is square.
- 3)** Install tape strip **TIGHTLY** approximately 16" from start.
- 4)** Insert lens into lens tool, then place just before **TIGHT** tape strip.

WARNING: Ground fixture in accordance with local and national electrical codes. Failure to do so may result in serious personal injury. Fixture Installations should **ONLY** be done by a qualified licensed electrical professional.

BionicPro & BionicPro2 Mini | Linear Lens Installation



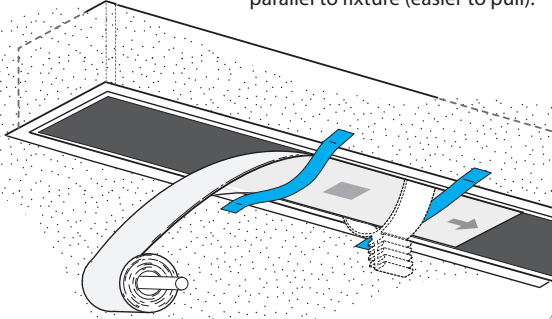
PRUDENTIAL LTG.

PRULITE.COM 213.746.0360

INSTALLATION
VIDEO

5)

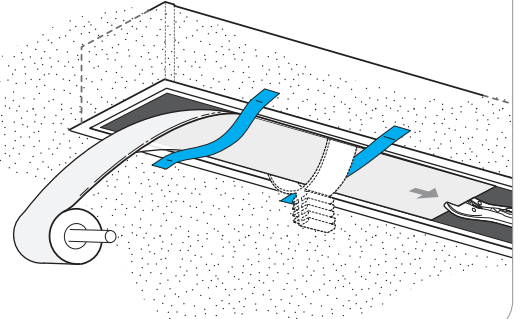
Install **LOOSE** tape strip about 12" from start to hold lens parallel to fixture (easier to pull).



6)

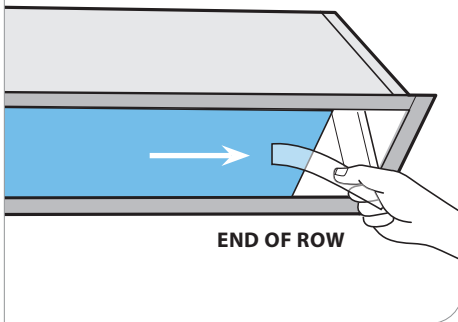
Pull lens through channel with fingers or non-marring pliers.

NOTE: Hold lens roll near ceiling, close to horizontal with fixture.



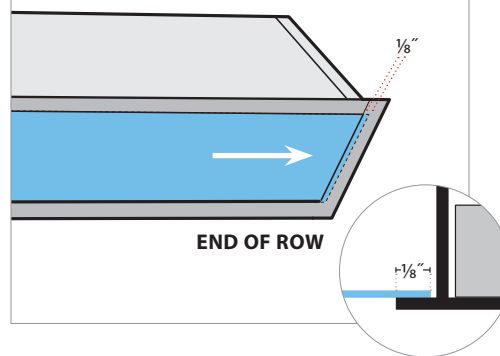
7)

Use tape strip to pull lens into end cap.



8)

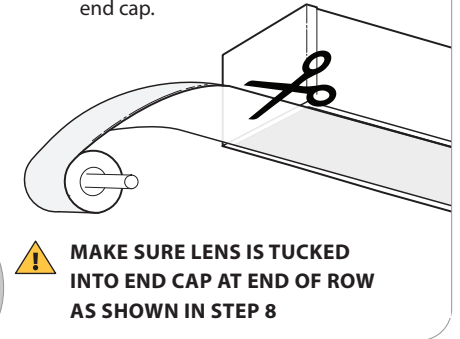
Make sure lens is tucked inside end cap.



9)

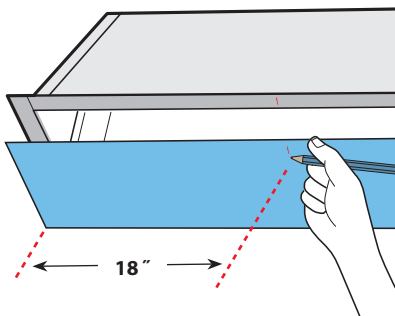
At start of fixture, remove tape strips and as a rough cut trim lens 1" past end cap.

! MAKE SURE LENS IS TUCKED INTO END CAP AT END OF ROW AS SHOWN IN STEP 8



10)

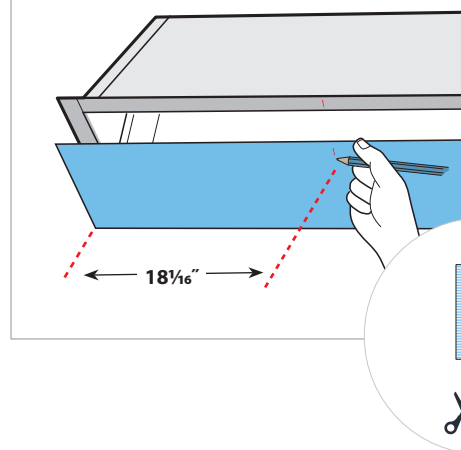
Mark lens with pencil where you made the mark 18" from start of row inside fixture.



! MAKE SURE LENS IS TUCKED INTO END CAP AT END OF ROW AS SHOWN IN STEP 8

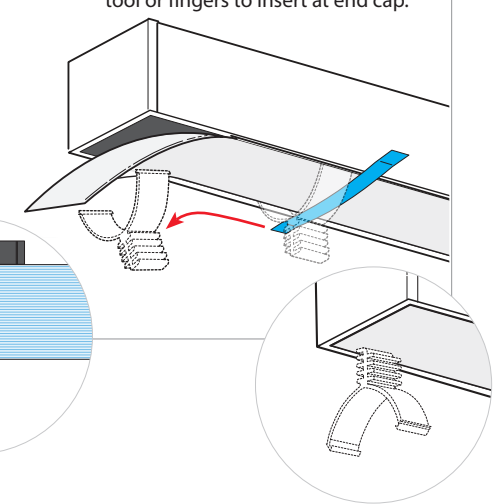
11)

Measure 18 1/16" from mark on lens to near end of lens. Mark and trim lens.



12)

Slide lens tool end cap to insert remaining lens, using other end of tool or fingers to insert at end cap.

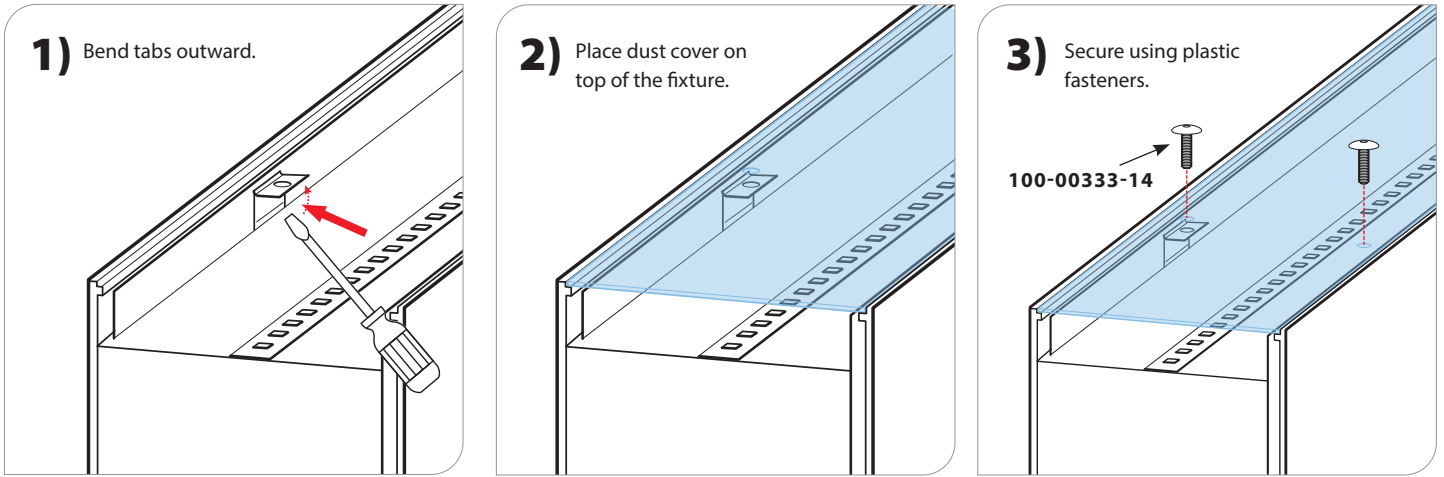


WARNING: Ground fixture in accordance with local and national electrical codes. Failure to do so may result in serious personal injury. Fixture Installations should ONLY be done by a qualified licensed electrical professional.

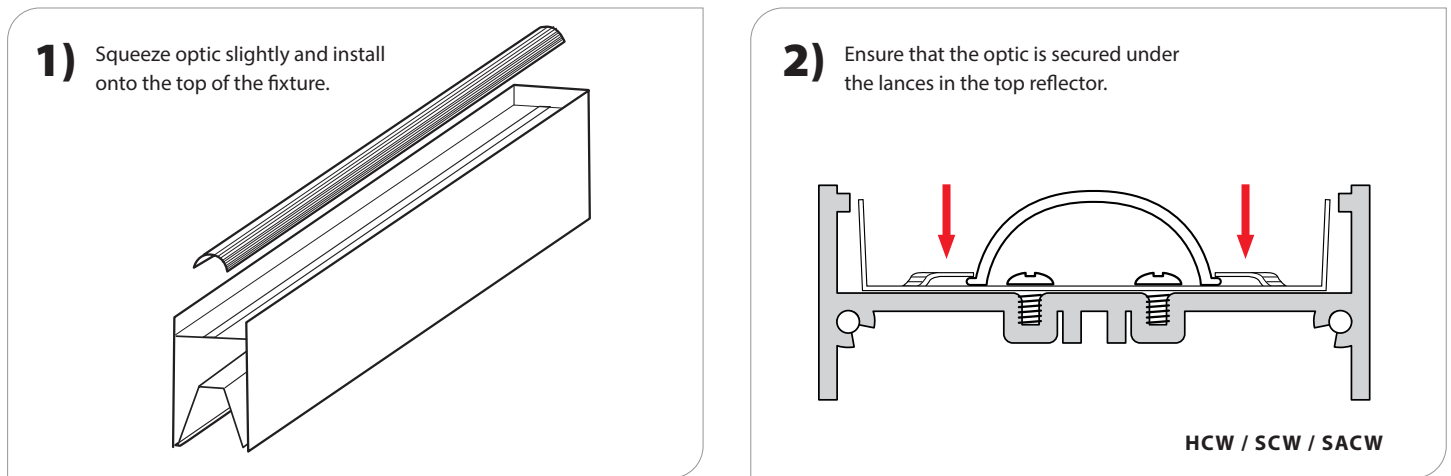


INSTALLATION INSTRUCTIONS

DUST COVER *CURRENTLY NOT AVAILABLE*



INDIRECT OPTIC



WARNING: Ground fixture in accordance with local and national electrical codes. Failure to do so may result in serious personal injury. Fixture Installations should ONLY be done by a qualified licensed electrical professional.

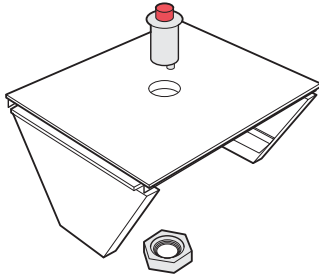


INSTALLATION INSTRUCTIONS

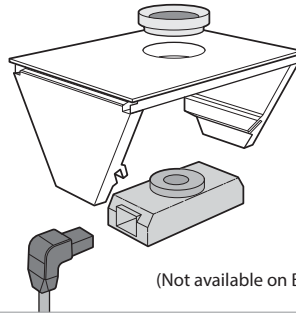
ACCESSORY PLATE & SENSOR INSTALLATION

SENSORS

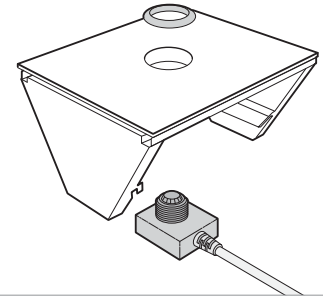
Iota Light/Switch



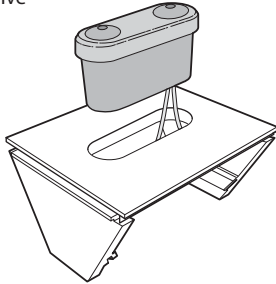
Acuity nLight



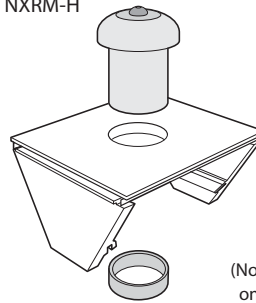
Wattstopper FS-205



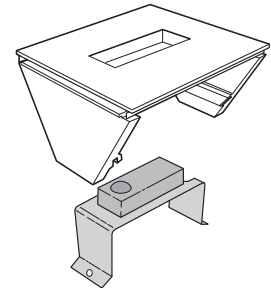
Lutron Vive



Hubbell NXRM-H



Hubbell NXSMP-SMI



WARNING: Ground fixture in accordance with local and national electrical codes. Failure to do so may result in serious personal injury. Fixture Installations should ONLY be done by a qualified licensed electrical professional.

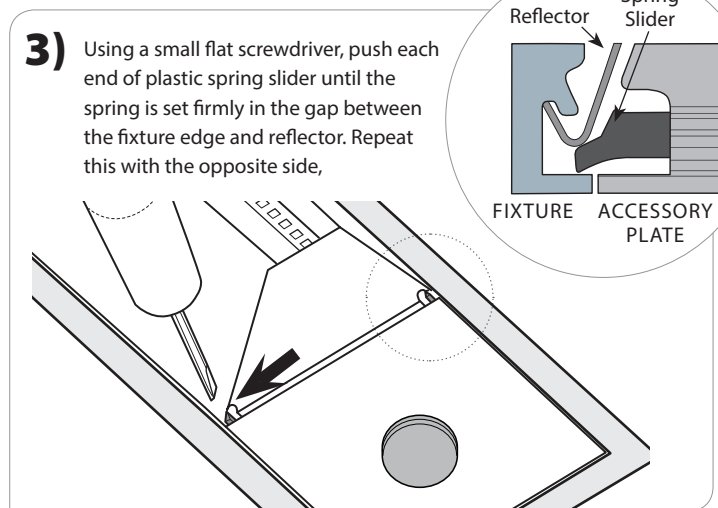
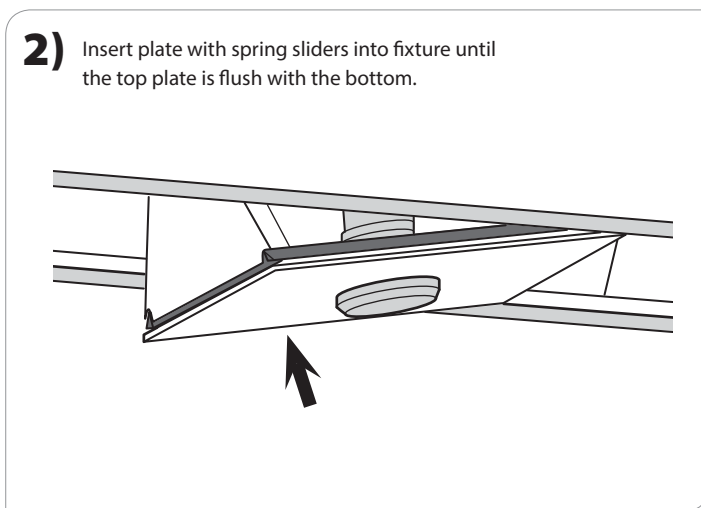
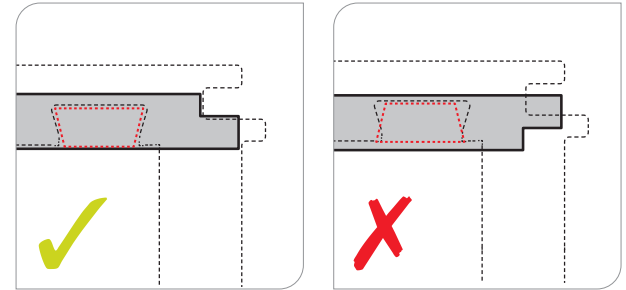
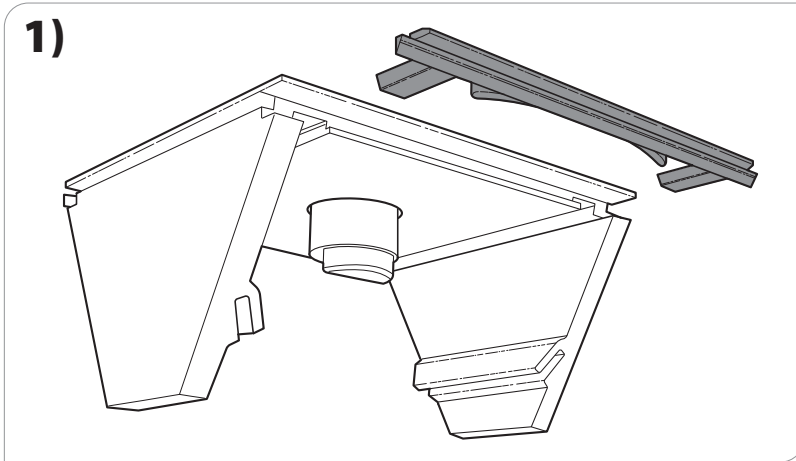


INSTALLATION INSTRUCTIONS

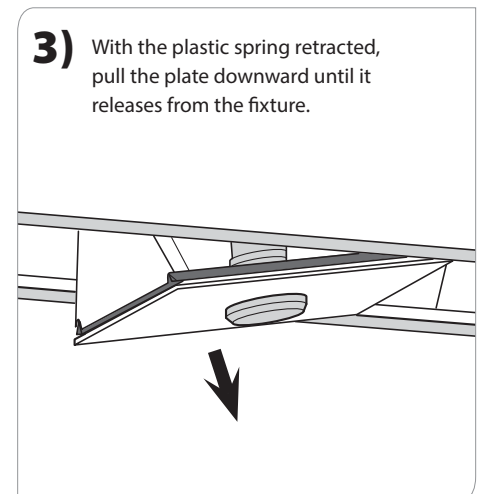
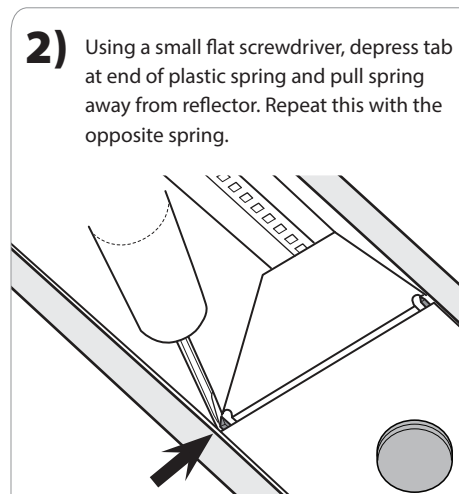
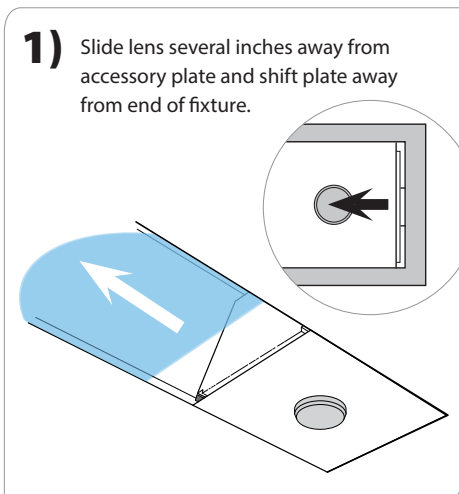
ACCESSORY PLATE ASSEMBLY

Insert slider spring tabs into dovetail slots in the bottom of plate

Spring tabs must be oriented to match dovetails in plate



ACCESSORY PLATE REMOVAL



WARNING: Ground fixture in accordance with local and national electrical codes. Failure to do so may result in serious personal injury. Fixture Installations should ONLY be done by a qualified licensed electrical professional.