



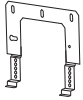
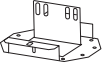
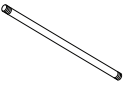
# BionicPro2 Mini Remote | Linear SSC + RSC Stem Mount



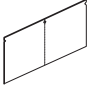

## INSTALLATION INSTRUCTIONS




PRUDENTIAL LTG.

PRULITE.COM 213.746.0360

PART	PART NO.	DESCRIPTION
<b>CANOPY ASSEMBLY:</b>		
	100-00025-29	Canopy Body
	100-00277-03	Canopy Cover
	100-01163-10	<b>Black</b>
	100-01164-10	<b>White</b>
		Flex Boot
	100-00273-03	SSC (Swivel) Canopy Yoke
	100-00274-03	SSC (Swivel) Center Block
	100-00275-03	SSC (Swivel) Canopy Stem Yoke
	100-00305-03	RSC (Rigid) Canopy Yoke
	100-00120-07	Install Assist Hook
	169515	Adapter Sub Yoke
	169516	SSC/RSC X1 Adaptor Sub Plate
		3/8" IPS Threaded Stem (Stems ordered over 8' will be provided in two pieces connected by a coupler)

<b>BIONICPRO LENS TOOL:</b>			
	100-00462-10	2" —	<b>White</b>
	100-00464-10	3" —	<b>Natural</b>
	100-00465-10	4" —	<b>Black</b>
	100-00463-10	5" —	<b>White</b>
	100-00040-20	Tape Strips	
	100-01177-10	Seam Tape	
	82484	Lens Removal Tool (maintenance only)	

PART	PART NO.	DESCRIPTION
	100-00010-14	Hex Nut 8-32 Plated
	100-00255-14	Lock Washer 1/4-20 Keys
	100-00068-14	Washer 1/4" Internal Tooth
	100-00279-14	Screw 8 x 1/4 Slotted SMS Type B
	100-00005-14	Screw 1/4-20 x 3/8 Round HD
	100-00302-03	SSC/RSC Lock Nut
	100-00464-17	SSC/RSC Lock Nut Gasket (Thick)
	100-00463-17	SSC/RSC Lock Nut Gasket (Thin)
	100-00018-14	6-32 x 1/4" Screw
	100-00283-14	6-32 x 1/2" Screw
	100-00050-14	8-32 x 7/8" TH MS Phil Screw
	100-00128-14	14 8-32 x 3/8" Flat Phil Type F Screw
	100-00058-20	Stem Coupler

PARTS LIST	SIZE	PART NO.				
<b>LENSES:</b>		SAL	BTW	PFL/WWG	MGZ	WGZ
	2" —	100-00966-18	100-00961-18	100-00978-18	100-01004-18	100-00988-18

**WARNING:** Ground fixture in accordance with local and national electrical codes. Failure to do so may result in serious personal injury. Fixture installations should ONLY be done by a qualified licensed electrical professional.

# BionicPro2 Mini Remote | Linear SSC + RSC Stem Mount

## INSTALLATION INSTRUCTIONS



### STEM (RRC/SSC) — MOUNTING

**INDIVIDUAL:**

FIXTURE LENGTHs	STEM LOCATIONS	
	Start / Individual	Intermediate / End
2'	24"	21 3/8"
3'	36"	33 3/8"
4'	48"	45 3/8"
5'	60"	57 3/8"
6'	72"	69 3/8"
7'	84"	81 3/8"
8'	96"	93 3/8"

**R/SSC — STEM**

**WARNING:** Ground fixture in accordance with local and national electrical codes. Failure to do so may result in serious personal injury. Fixture Installations should ONLY be done by a qualified licensed electrical professional.

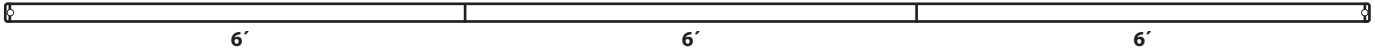


INSTALLATION INSTRUCTIONS

18' STANDARD ROW LENGTH:



18' SYMMETRIC ROW LENGTH (SRL):



STANDARD

Table with 3 columns: ROW LENGTH, and two columns for component breakdowns. Rows range from 9' to 50'.

SYMMETRICAL

Table with 3 columns: ROW LENGTH, and two columns for component breakdowns. Rows range from 9' to 50'.



# BionicPro2 Mini Remote | Linear SSC + RSC Stem Mount

## INSTALLATION INSTRUCTIONS



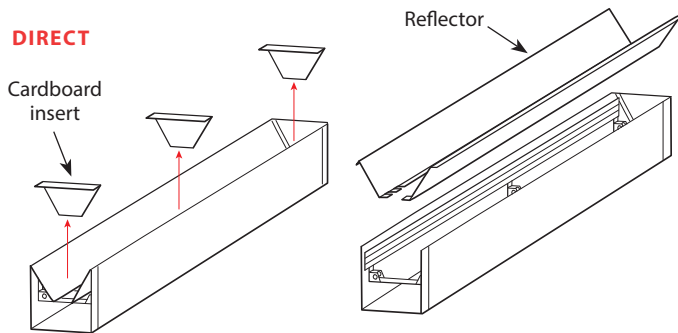
PRUDENTIAL LTG.

PRULITE.COM 213.746.0360

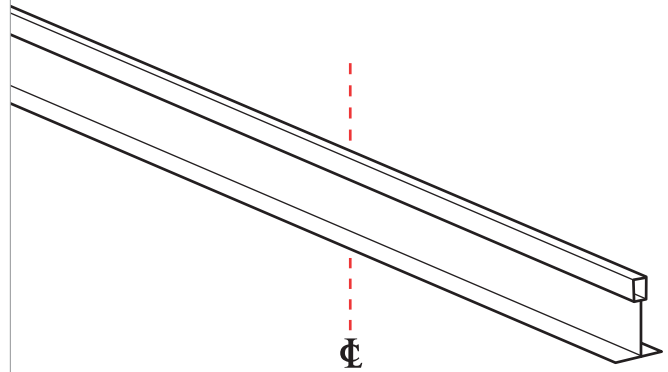
**REQUIRES TWO PEOPLE TO INSTALL**

- 1)** If the installation contains rows, remove the cardboard inserts and reflectors. Leave the LED assembly in place.  
If the installation is individual, proceed to Step 2.

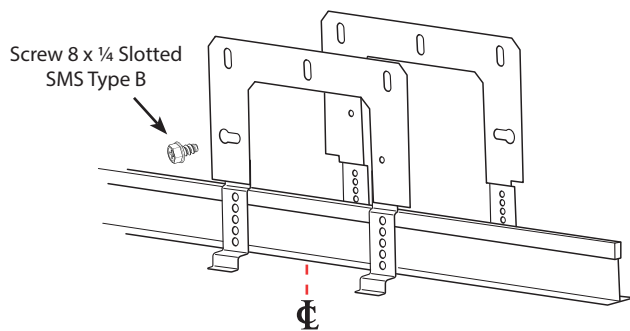
### DIRECT



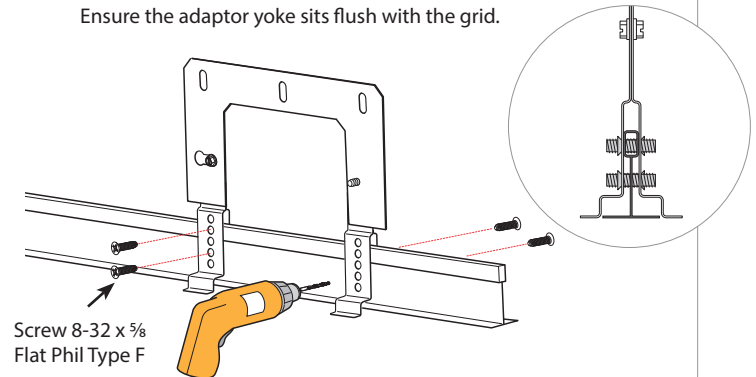
- 2)** Locate the mounting point on the T-bar and remove acoustic panel(s).



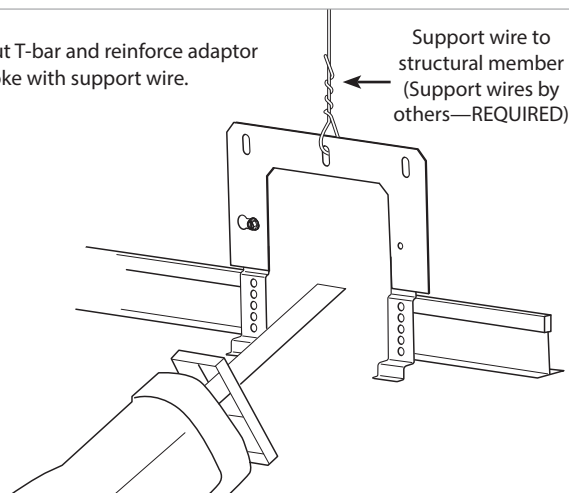
- 3)** Attach the Adaptor Yoke brackets to the T-bar using #8 x 1/4" sheet metal screws. Ensure the light fixture is centered between the legs of the yoke bracket.



- 4)** Drill 1/8" pilot holes through holes in the adaptor yoke brackets. Secure the brackets to the grid using #8 x 5/8" flat head screws. Ensure the adaptor yoke sits flush with the grid.



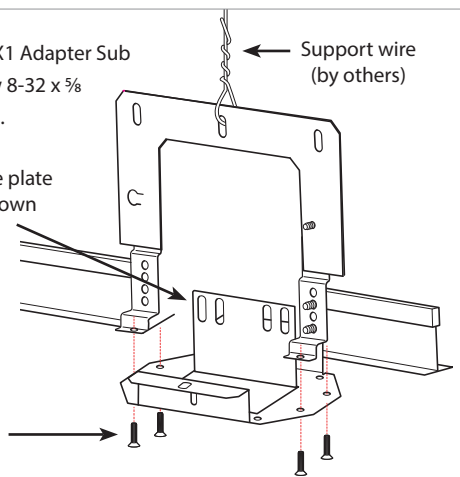
- 5)** Cut T-bar and reinforce adaptor yoke with support wire.



- 6)** Attach SSC/RSC X1 Adapter Sub Plate using Screw 8-32 x 5/8" Flat Phil Type (x4).

Ensure J-Box surface plate is formed up as shown

1/4-20 all-thread rod (by others)



**WARNING:** Ground fixture in accordance with local and national electrical codes. Failure to do so may result in serious personal injury. Fixture Installations should ONLY be done by a qualified licensed electrical professional.



Prudential Ltg. reserves the right to change design specifications or materials without notice. Please visit [prulite.com](http://prulite.com) for most current data.  
© 2026 All rights reserved—All products manufactured at: Prudential Ltg. 1774 E. 21st Street, Los Angeles, CA 90058

# BionicPro2 Mini Remote | Linear SSC + RSC Stem Mount

## INSTALLATION INSTRUCTIONS

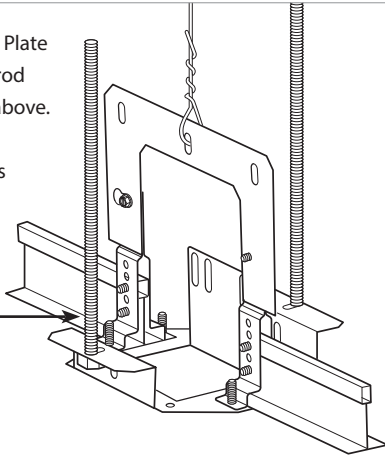


PRUDENTIAL LTG.

PRULITE.COM 213.746.0360

- 7)** Reinforce Adapter Sub Plate with 1/4-20 all thread rod attached to structure above. Support wire can be substituted for fixtures weighing less than 40 pounds.

1/4- all-thread rod  
(by others)

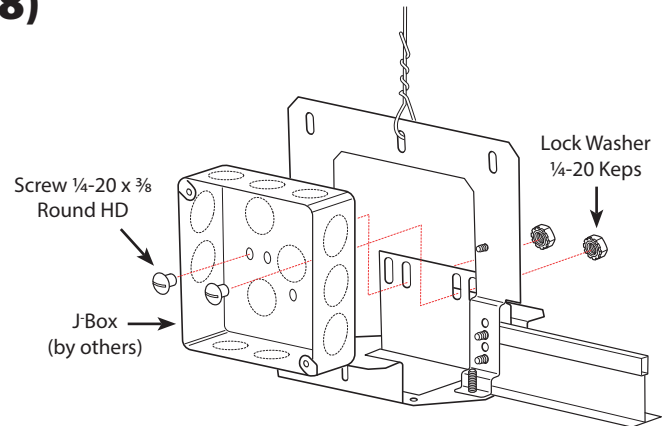


**8)**

Screw 1/4-20 x 3/8  
Round HD

J-Box  
(by others)

Lock Washer  
1/4-20 Keys



**9)**

Yoke assembly is now complete.  
Fixture assembly begin on step 10.



- 10)** Assemble stem to fixture. If total stem is longer than 8', join stems together with coupler provided.

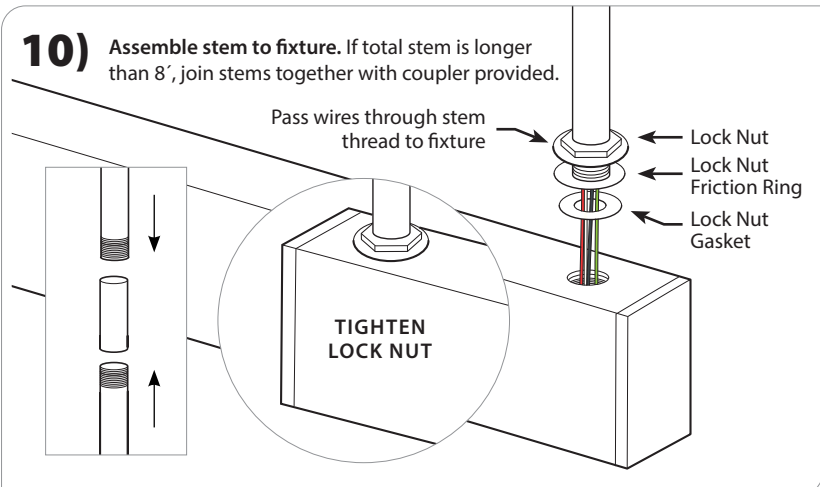
Pass wires through stem  
thread to fixture

Lock Nut

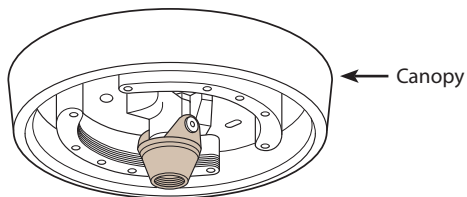
Lock Nut  
Friction Ring

Lock Nut  
Gasket

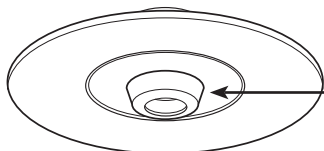
**TIGHTEN  
LOCK NUT**



- 11)** Remove Canopy Cover & Rubber Flex from Canopy.



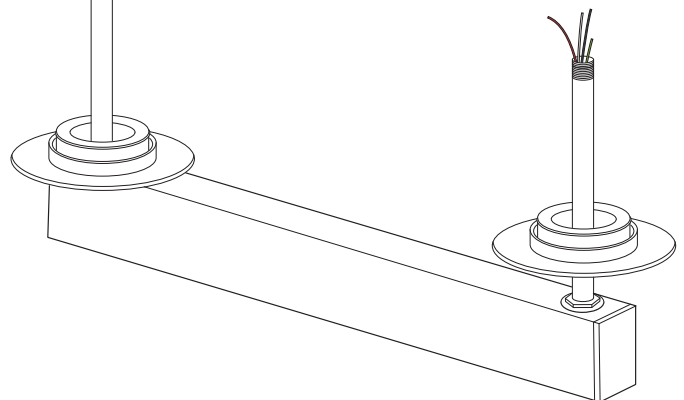
Canopy



Rubber Flex Boot

**12)**

Place canopy cover and flex boot over stem  
and rest on top of fixture.



**WARNING:** Ground fixture in accordance with local and national electrical codes. Failure to do so may result in serious personal injury. Fixture Installations should ONLY be done by a qualified licensed electrical professional.



Prudential Ltg. reserves the right to change design specifications or materials without notice. Please visit [prulite.com](http://prulite.com) for most current data.  
© 2026 All rights reserved—All products manufactured at: Prudential Ltg. 1774 E. 21<sup>st</sup> Street, Los Angeles, CA 90058

# BionicPro2 Mini Remote | Linear SSC + RSC Stem Mount

## INSTALLATION INSTRUCTIONS



PRUDENTIAL LTG.

PRULITE.COM 213.746.0360

**13)** Attach canopy to stem.

Pass wire through canopy.  
Screw canopy on completely until tight.

**14)** Insert installation hooks.

Place hooks through openings as shown

**15)** Hang fixture using install assist hooks & perform wire makeups.

**WIRING:**

0-10V (+) : Purple	0-10V (-) : Grey
DALI (+) : Purple	DALI (-) : GREY
EcoSystem DALI (+) : Purple	EcoSystem DALI (-) : GREY
HOT : BLACK	
NEUTRAL : WHITE	
GROUND : GREEN	
CONSTANT HOT (EM) : Red	

**16)**

Attach fixture to yoke assembly using screw 8-32 x 7/8 TH MS Phil, Washer 1/4" Internal Tooth and HEX Nut 8-32 Plated.

Mounting Holes

**16)** Set Flex Boot in place and screw on canopy.

Lock Nut

Flex Boot

Boot bottom lip to fit into groove

Stem Yoke

**WARNING:** Ground fixture in accordance with local and national electrical codes. Failure to do so may result in serious personal injury. Fixture Installations should ONLY be done by a qualified licensed electrical professional.

# BionicPro2 Mini Remote | Linear SSC + RSC Stem Mount

## INSTALLATION INSTRUCTIONS



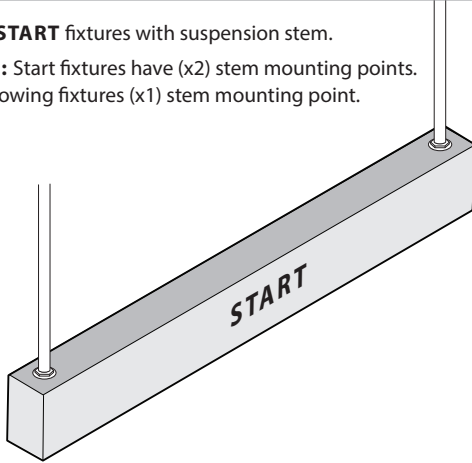
PRUDENTIAL LTG.

PRULITE.COM 213.746.0360

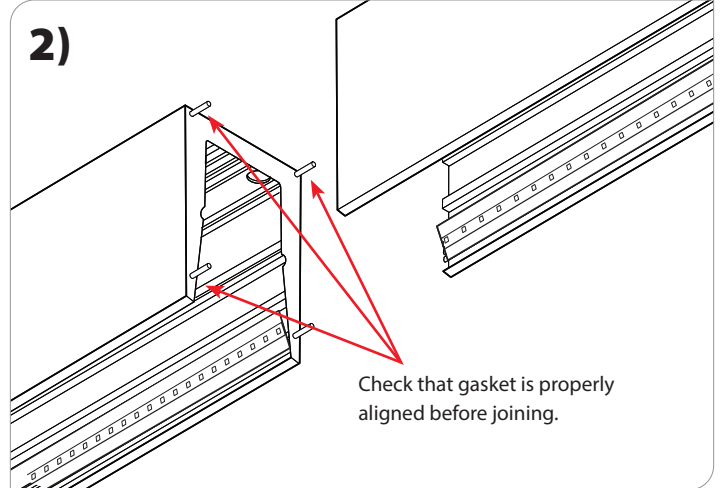
### ROW FIXTURE INSTALL

**⚠ DO NOT BUILD ROWS ON FLOOR TO HOIST** **👤👤 REQUIRES TWO PEOPLE TO INSTALL** **POWER CORD SHIPPED ATTACHED**

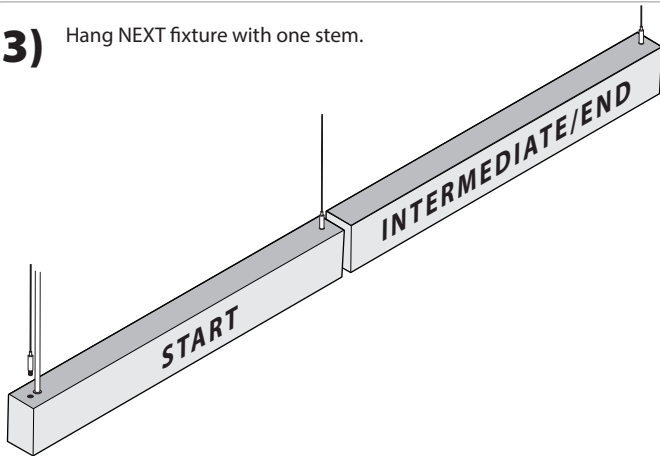
- 1)** Hang **START** fixtures with suspension stem.  
**NOTE:** Start fixtures have (x2) stem mounting points.  
All following fixtures (x1) stem mounting point.



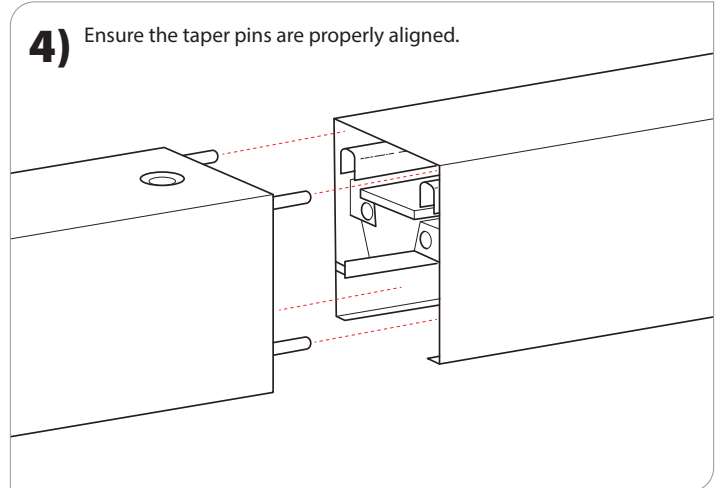
**2)**



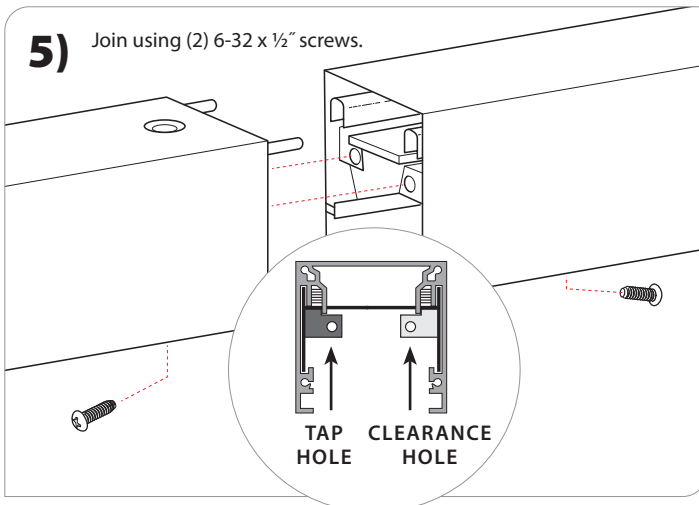
- 3)** Hang **NEXT** fixture with one stem.



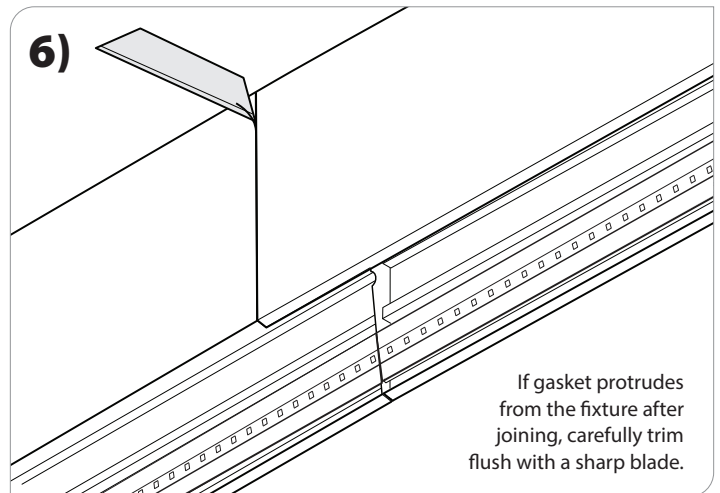
- 4)** Ensure the taper pins are properly aligned.



- 5)** Join using (2) 6-32 x 1/2" screws.



**6)**



**WARNING:** Ground fixture in accordance with local and national electrical codes. Failure to do so may result in serious personal injury. Fixture Installations should ONLY be done by a qualified licensed electrical professional.



Prudential Ltg. reserves the right to change design specifications or materials without notice. Please visit [prulite.com](http://prulite.com) for most current data.  
© 2026 All rights reserved—All products manufactured at: Prudential Ltg. 1774 E. 21<sup>st</sup> Street, Los Angeles, CA 90058

# BionicPro2 Mini Remote | Linear SSC + RSC Stem Mount

## INSTALLATION INSTRUCTIONS

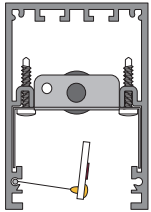
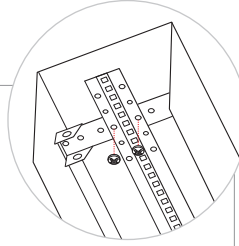


PRUDENTIAL LTG.

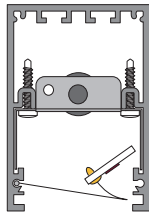
PRULITE.COM 213.746.0360

### ROW FIXTURE INSTALL

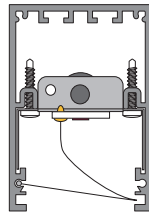
- 7)** Using 6-32 x 1/4" screws, attach LED tray assembly to stiffener brackets. LED assembly should be relatively flush with the end of the extrusion/body when installed correctly.



**1. REMOVE LED ASSEMBLY**

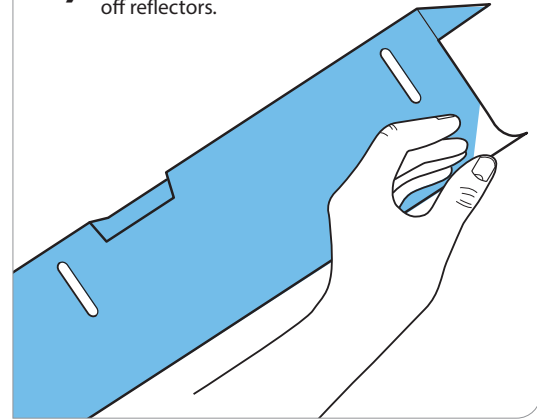


**2. ROTATE LED ASSEMBLY**



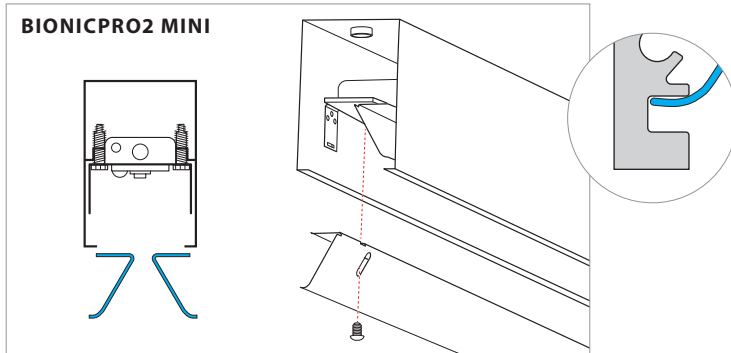
**3. INSERT LED ASSEMBLY AGAINST STIFFENER**

- 8)** Peel blue protective covering off reflectors.

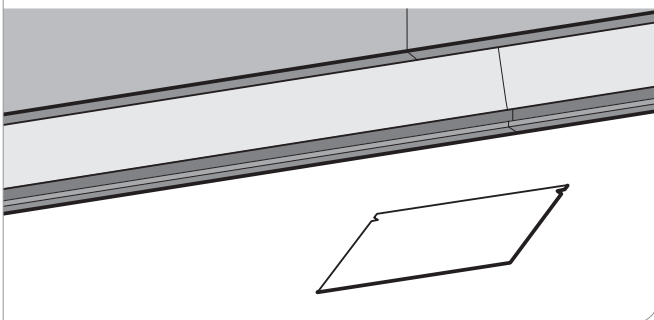


- 9)** Install reflectors to fixture by attaching them to LED assembly using 6-32 x 1/4" screws. Reflectors should be flush with end of LED assembly. Tuck wiring behind first installed reflector before installing the second. Reflectors should be flush with end of LED assembly.

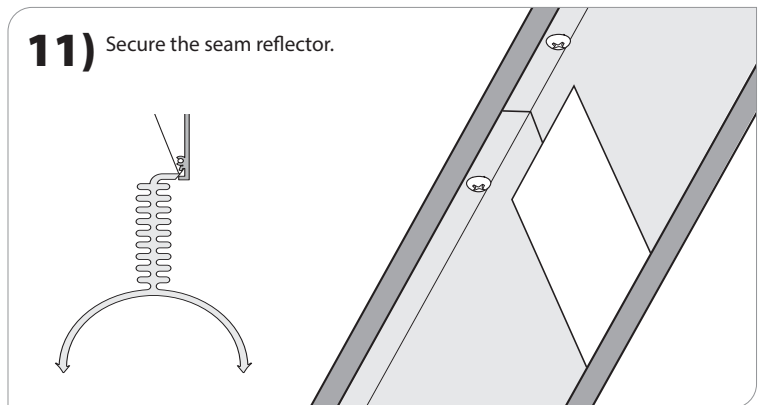
#### BIONICPRO2 MINI



- 10)** Place seam tape over reflector seam.



- 11)** Secure the seam reflector.



**WARNING:** Ground fixture in accordance with local and national electrical codes. Failure to do so may result in serious personal injury. Fixture Installations should ONLY be done by a qualified licensed electrical professional.

# BionicPro2 Mini Remote | Linear SSC + RSC Stem Mount

## INSTALLATION INSTRUCTIONS



INSTALLATION  
VIDEO



PRUDENTIAL LTG.

PRULITE.COM 213.746.0360

## LENS INSTALLATION

**⚠️ ENERGIZE ROWS TO ENSURE ALL LEDS ARE WORKING BEFORE INSTALL** **👤 LENS REQUIRES TWO PEOPLE TO INSTALL**

### LENS ORIENTATION

**SAL** – Satin lens has both sides the same, reversible, no orientation

**BTW** – Batwing shiny side UP, matte frosted side DOWN.

**MGZ/WWF/WWG/PFL** – Wall Wash and Perimeter lenses, ribbed side UP (they can be seen and felt).

NOTE: WWG and PFL are the same with opposite orientation

**Stickers** indicate **WALL** and **ROOM** sides, but the lens also has engraving indicating each as shown.

**RECOMMENDED:** Start lens installation from **LEFT** to **RIGHT**.

→

START

→

INTERMEDIATE

→

END

## LENS INSTALLATION — IF ALL FIXTURES ARE ALREADY INSTALLED

**1)** Measure 18" from end cap. Using a pencil, place a small mark on the fixture.

**2)** Make sure lens is square.

**3)** Install tape strip **TIGHTLY** approximately 16" from start.

**4)** Insert lens into lens tool, then place just before **TIGHT** tape strip.

**FOR BPRO2-REG3**

Install clamp before inserting into fixture. Once installed in fixture, remove clamp and proceed to step 5.

Lens tool with clamp installed into fixture

Clamp removed

**WARNING:** Ground fixture in accordance with local and national electrical codes. Failure to do so may result in serious personal injury. Fixture Installations should ONLY be done by a qualified licensed electrical professional.

# BionicPro2 Mini Remote | Linear SSC + RSC Stem Mount

## INSTALLATION INSTRUCTIONS



INSTALLATION  
VIDEO

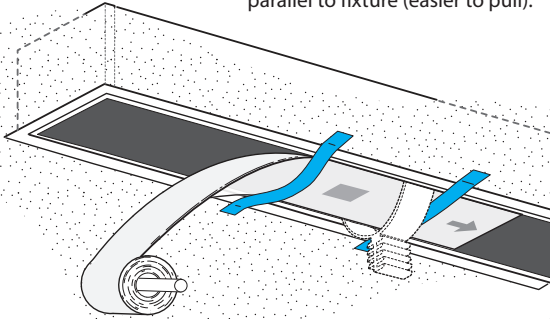


PRUDENTIAL LTG.

PRULITE.COM 213.746.0360

5)

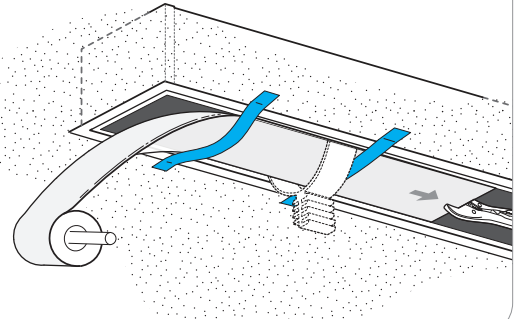
Install **LOOSE** tape strip about 12" from start to hold lens parallel to fixture (easier to pull).



6)

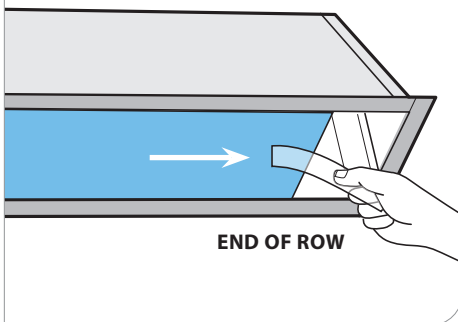
Pull lens through channel with fingers or non-marring pliers.

**NOTE:** Hold lens roll near ceiling, close to horizontal with fixture.



7)

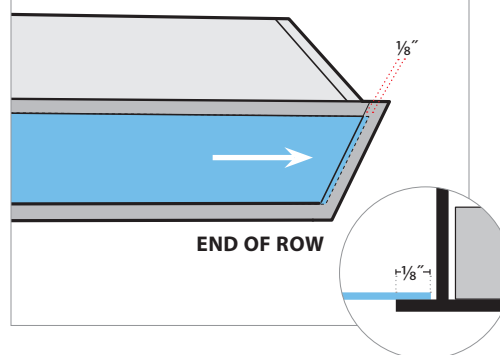
Use tape strip to pull lens into end cap.



END OF ROW

8)

Make sure lens is tucked inside end cap.



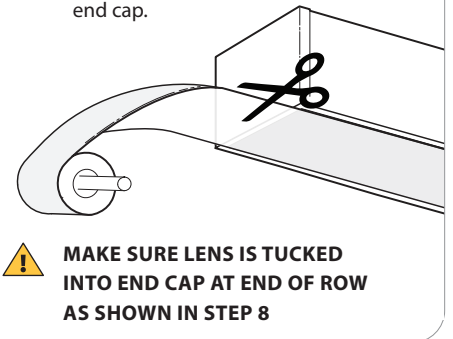
END OF ROW

9)

At start of fixture, remove tape strips and as a rough cut trim lens 1" past end cap.

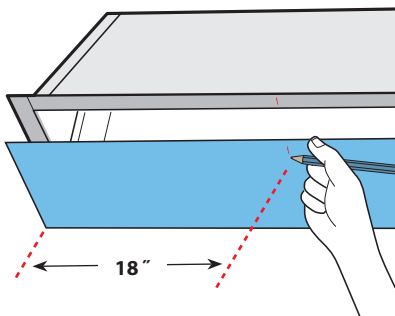


**MAKE SURE LENS IS TUCKED INTO END CAP AT END OF ROW AS SHOWN IN STEP 8**



10)

Mark lens with pencil where you made the mark 18" from start of row inside fixture.



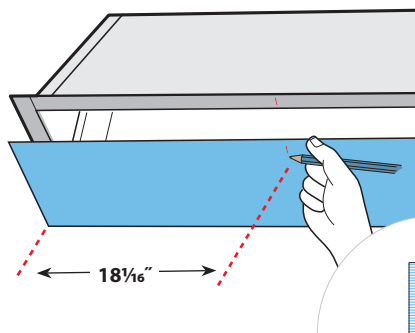
18"



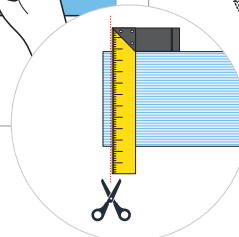
**MAKE SURE LENS IS TUCKED INTO END CAP AT END OF ROW AS SHOWN IN STEP 8**

11)

Measure 18 1/16" from mark on lens to near end of lens. Mark and trim lens.

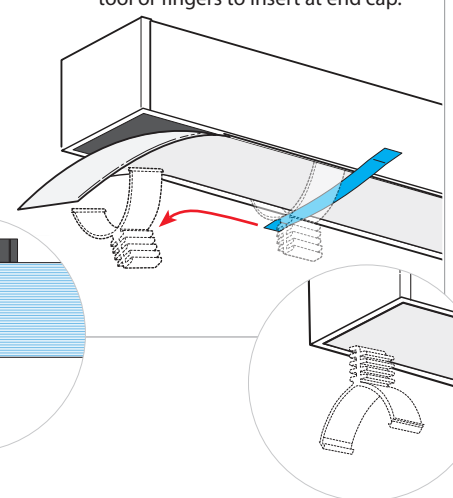


18 1/16"



12)

Slide lens tool end cap to insert remaining lens, using other end of tool or fingers to insert at end cap.



**WARNING:** Ground fixture in accordance with local and national electrical codes. Failure to do so may result in serious personal injury. Fixture Installations should ONLY be done by a qualified licensed electrical professional.



Prudential Ltg. reserves the right to change design specifications or materials without notice. Please visit [prulite.com](http://prulite.com) for most current data. © 2026 All rights reserved—All products manufactured at: Prudential Ltg. 1774 E. 21st Street, Los Angeles, CA 90058