

Wave2Pro | Linear Cable Hung

INSTALLATION INSTRUCTIONS



PRUDENTIAL LTG.

PRULITE.COM 213.746.0360

PART	PART NO.	DESCRIPTION
OPTICS & LOUVERS:		
	100-00472-10	Soft Asymmetric Ceiling Wash
	100-00471-10	Soft Ceiling Wash
	100-00186-10	Plastic Lens Holder
	100-00321-02	Reflector
	100-00479-10	Top Glow Lens
OPTIONAL:		
	100-01002-18 CLEAR 100-00885-18 FROSTED	Acrylic Dust Cover
	100-00333-14	Plastic Push-In Fasteners
TOGGLE CABLE ASSEMBLY:		
	100-00082-08	53"
	100-00087-08	100" Toggle Cable Assembly
	100-00023-08	200"
	100-00346-14	6 WIRE Molded Strain Relief
	100-00319-14 WHITE 100-00316-14 BLACK	Threaded Bushing
	100-00318-14 WHITE 100-00321-14 BLACK	5/8" Universal Bushing
	100-00320-14 WHITE 100-00322-14 WHITE	1/2" Snap Bushing 3/16" Snap Bushing
	100-00358-14 BLACK 100-00356-14 BLACK	1/2" Snap Bushing 3/16" Snap Bushing
	17945	Notched Aligner Spline

PART	PART NO.	DESCRIPTION
	100-00003-08	I.D.S. 95 Clip (X2, X6 — Optional)
	100-00004-08	I.D.S. Clip (X1 Standard)
	100-00091-08	A.T Clip
	28975	5 1/2" Ø SPF Canopy (2 Hole)
	65392	5 1/2" Ø DPF Canopy (3 Hole)
	100-00284-14	1/2" x 1 1/8" IPT Brass Threaded Nipple
	100-00239-14	1/2" IP Knurled Nut
X3 ONLY:		
	100-00006-08	5 1/2" Ø NPF Canopy X3 (1 Hole)
	19031	Mounting Strap
X1/X2/X6 ONLY:		
	100-00078-07	2" Ø NPF Canopy X1, X2, X6 (1 Hole)
18GA SJT CORD: 6 WIRE		
	100-01002-09 WHITE 100-00604-09 WHITE 600v 100-00317-09 BLACK 100-00607-09 BLACK 600v	
FINISH PLATES:		
	177950	3IN Die Casted Finish Plate
	76721	Flat Finish Plate
	100-00025-14	#8-32 x 1/4" SL HEX WASHER HD TYPE F
	100-00164-14	PALNUT 8-32 AML REG-FLG
	100-00134-14	#10 PHIL PAN TAP TYPE 2
	100-00018-14	#6-32 x 1/4" PHIL P.H. TYPE F

WARNING: Ground fixture in accordance with local and national electrical codes. Failure to do so may result in serious personal injury. Fixture Installations should ONLY be done by a qualified licensed electrical professional.



MOUNTING LOCATIONS:

CABLE MOUNT ○ 1/16" POWER FEED

Aircraft Cable Locations
Aircraft Cable Locations
Aircraft Cable Locations

START
INTERMEDIATE
END

← 3/16" End Plate
3/16" End Plate →

Fixture Length
Fixture Length
Fixture Length

Aircraft Cable Locations
Aircraft Cable Locations

INDIVIDUAL

← 3/16" End Plate
3/16" End Plate →

Fixture Length

FIXTURE LENGTHS		AIRCRAFT CABLE LOCATIONS	
	All	Start / Individual	Intermediate / End
3'	36"	35 3/8"	36"
4'	48"	47 3/8"	48"
6'	72"	71 3/8"	72"
8'	96"	95 3/8"	96"

ALTERNATIVE ENDPLATE OPTION	
FLT	ADDS 0.1"

WARNING: Ground fixture in accordance with local and national electrical codes. Failure to do so may result in serious personal injury. Fixture Installations should ONLY be done by a qualified licensed electrical professional.

Wave2Pro | Linear

Cable Hung

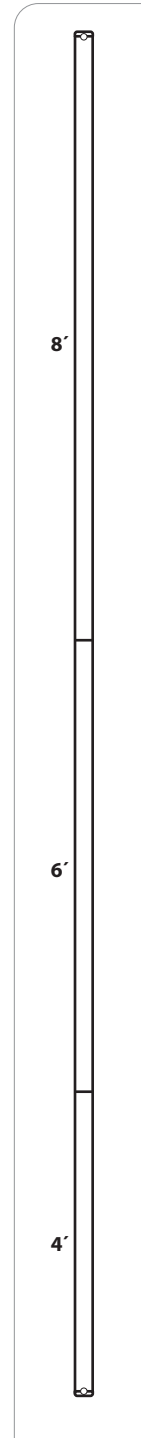
INSTALLATION INSTRUCTIONS



STANDARD

ROW LENGTH		
3	3	3FT IND
4	4	4FT IND
6	6	6FT IND
7	4+3	4FT STR + 3FT END
8	8	8FT IND
9	6+3	6FT STR + 3FT END
10	6+4	6FT STR + 4FT END
11	8+3	8FT STR + 3FT END
12	8+4	8FT STR + 4FT END
13	6+4+3	6FT STR + 4FT INT + 3FT END
14	8+6	8FT STR + 6FT END
15	8+4+3	8FT STR + 4FT INT + 3FT END
16	8+8	8FT STR + 8FT END
17	8+6+3	8FT STR + 6FT INT + 3FT END
18	6+6+6	6FT STR + 6FT INT + 6FT END
19	8+8+3	8FT STR + 8FT INT + 3FT END
20	8+8+4	8FT STR + 8FT INT + 4FT END
21	8+6+4+3	8FT STR + 6FT INT + 4FT INT + 3FT END
22	8+8+6	8FT STR + 8FT INT + 6FT END
23	8+6+6+3	8FT STR + (2) 6FT INT + 3FT END
24	8+8+8	8FT STR + 8FT INT + 8FT END
25	8+8+6+3	8FT STR + 8FT INT + 6FT INT + 3FT END
26	8+6+6+6	8FT STR + (2) 6FT INT + 6FT END
27	8+8+8+3	8FT STR + (2) 8FT INT + 3FT END
28	8+8+8+4	8FT STR + (2) 8FT INT + 4FT END
29	8+6+6+6+3	8FT STR + (2) 6FT INT + 3FT END
30	8+8+8+6	8FT STR + (2) 8FT INT + 6FT END
31	8+8+6+6+3	8FT STR + 8FT INT + (2) 6FT INT + 3FT END
32	8+8+8+8	8FT STR + (2) 8FT INT + 8FT END
33	8+8+8+6+3	8FT STR + (2) 8FT INT + 6FT INT + 3FT END
34	8+8+6+6+6	8FT STR + 8FT INT + (2) 6FT INT + 6FT END
35	8+8+8+8+3	8FT STR + (3) 8FT INT + 3FT END
36	8+8+8+6+6	8FT STR + (2) 8FT INT + 6FT INT + 6FT END
37	8+8+6+6+6+3	8FT STR + 8FT INT + (3) 6FT INT + 3FT END
38	8+8+8+8+6	8FT STR + (3) 8FT INT + 6FT END
39	8+8+8+8+4+3	8FT STR + (3) 8FT INT + 4FT INT + 3FT END
40	8+8+8+8+8	8FT STR + (3) 8FT INT + 8FT END
41	8+8+8+8+6+3	8FT STR + (3) 8FT INT + 6FT INT + 3FT END
42	8+8+8+6+6+6	8FT STR + (2) 8FT INT + (2) 6FT INT + 6FT END
43	8+8+8+8+8+3	8FT STR + (4) 8FT INT + 3FT END
44	8+8+8+8+6+6	8FT STR + (3) 8FT INT + 6FT INT + 6FT END
45	8+8+8+8+6+4+3	8FT STR + (3) 8FT INT + 6FT INT + 6FT INT
46	8+8+8+8+8+6	8FT STR + (4) 8FT INT + 6FT INT
47	8+8+8+8+8+4+3	8FT STR + (4) 8FT INT + 4FT INT + 3FT INT
48	8+8+8+8+8+8	8FT STR + (4) 8FT INT + 8FT INT
49	8+8+8+8+8+6+3	8FT STR + (4) 8FT INT + 6FT INT + 3FT INT
50	8+8+8+8+6+6+6	8FT STR + (3) 8FT INT + (2) 6FT INT + 6FT INT

18' STANDARD ROW LENGTH:



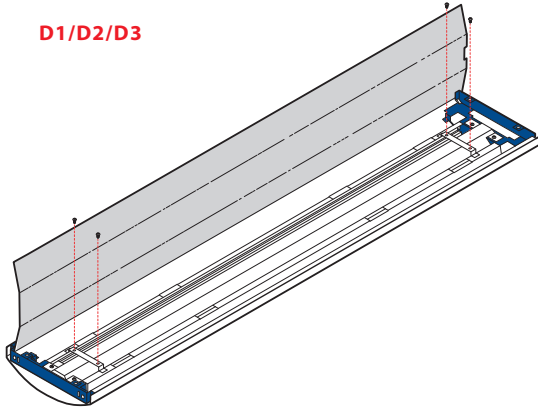
WARNING: Ground fixture in accordance with local and national electrical codes. Failure to do so may result in serious personal injury. Fixture Installations should ONLY be done by a qualified licensed electrical professional.



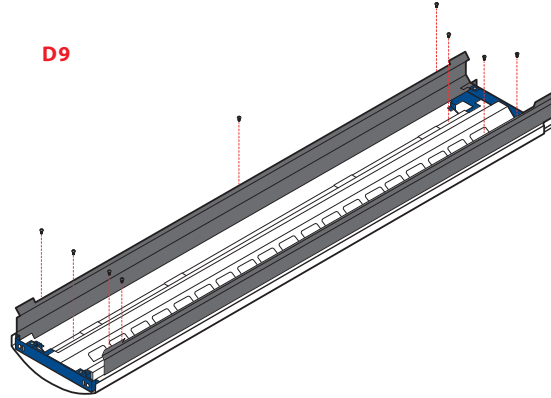
INDIVIDUAL

- 1)** Remove screws and tilt top reflector(s) back to expose the endplates welded onto the body.

D1/D2/D3

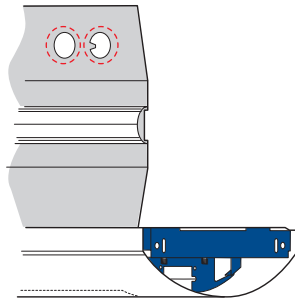


D9

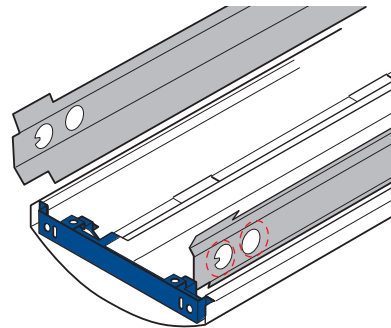


- 2)** Remove appropriate tab / knock out for power feed connection based on installation.

D1/D2/D3

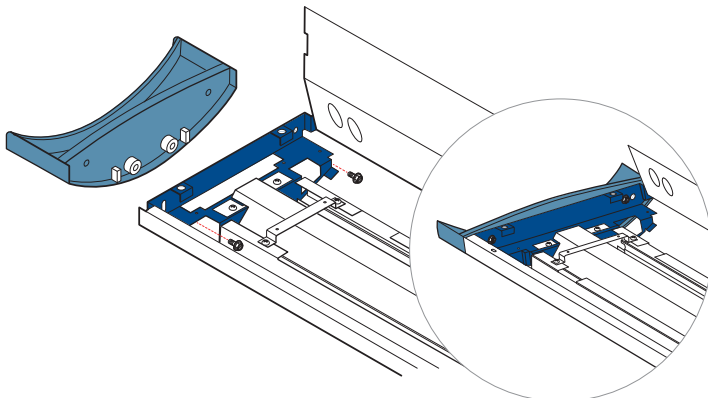


D9

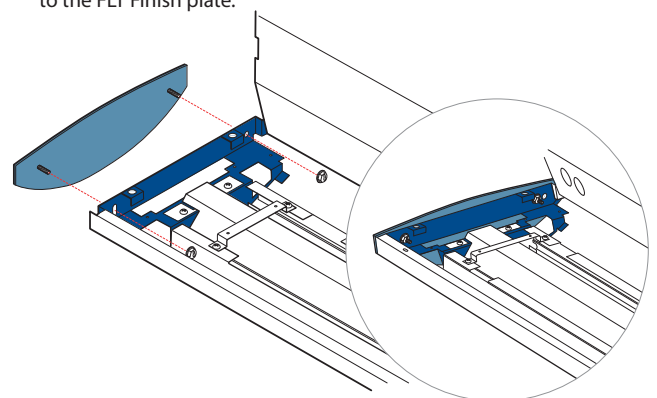


- 3)** 3) Install finish plate on both ends of individual fixture.

3IN Screw (2) #8-32 x 1/4" SL HEX WASHER HD TYPE F to attach the welded endplate on the body to the 3IN Die casted Finish plate.



FLT Screw (2) PALNUT 8-32 AML REG-FLG to the Pem STUD attached to the Finish plate to secure the welded endplate on the body to the FLT Finish plate.

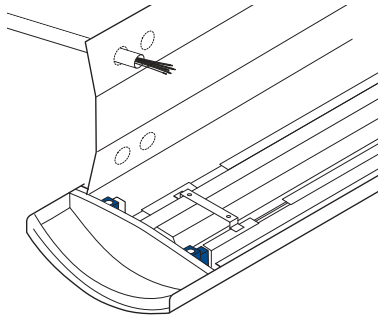


WARNING: Ground fixture in accordance with local and national electrical codes. Failure to do so may result in serious personal injury. Fixture Installations should ONLY be done by a qualified licensed electrical professional.

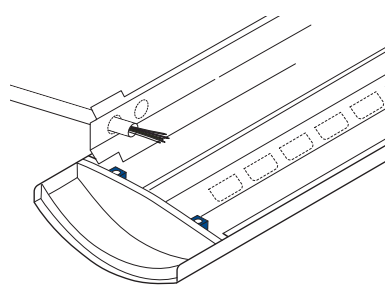


4) Insert bushing and feed cord. Crimp cord (fixture side). Cut and strip Connector. Make all wiring connections (see table).

D1/D2/D3



D9

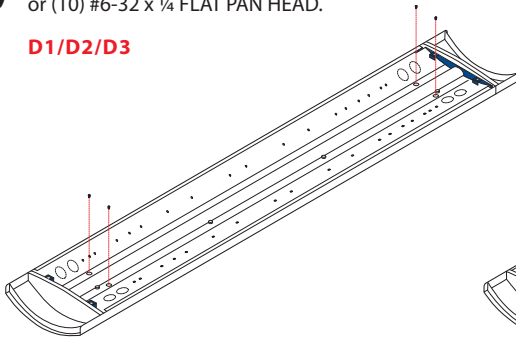


WIRING:

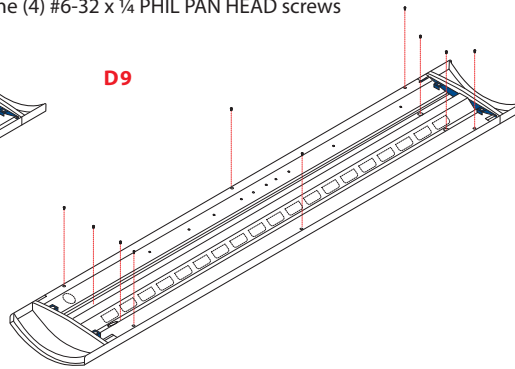
0-10V (+) : PURPLE	0-10V (-) : PINK
DALI (+) : PURPLE	DALI (-) : PINK
EcoSystem DALI (+) : PURPLE	EcoSystem DALI (-) : PINK
HOT : BLACK	
NEUTRAL : WHITE	
GROUND : GREEN	
CONSTANT HOT (EM) : RED	

5) Reinstall the top reflector(s) by screwing back on the (4) #6-32 x ¼ PHIL PAN HEAD screws or (10) #6-32 x ¼ FLAT PAN HEAD.

D1/D2/D3



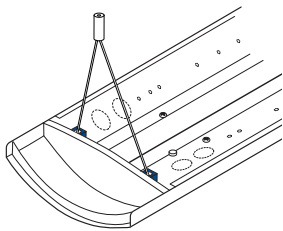
D9



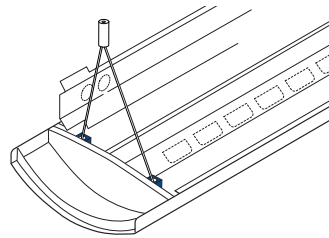
6) Install Acrylic Dust Cover if necessary (see page 10).

7) Install Griplock "Y" toggle cables to hang fixtures.

D1/D2/D3

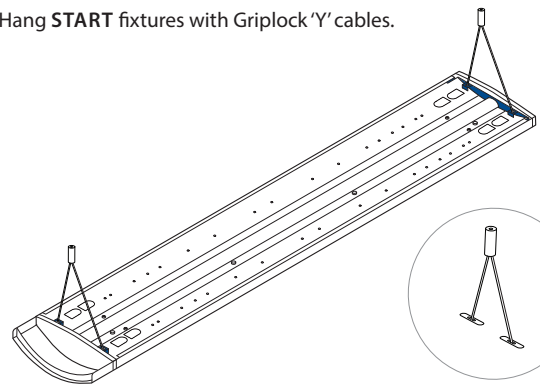


D9



SEE PAGE XX FOR CEILING MOUNTING INSTRUCTION

8) Hang START fixtures with Griplock 'Y' cables.



WARNING: Ground fixture in accordance with local and national electrical codes. Failure to do so may result in serious personal injury. Fixture Installations should ONLY be done by a qualified licensed electrical professional.

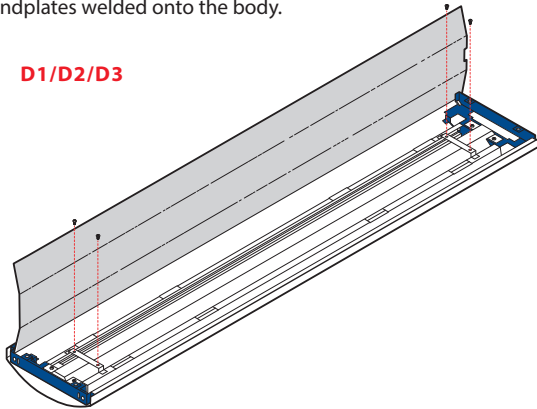


ROWS

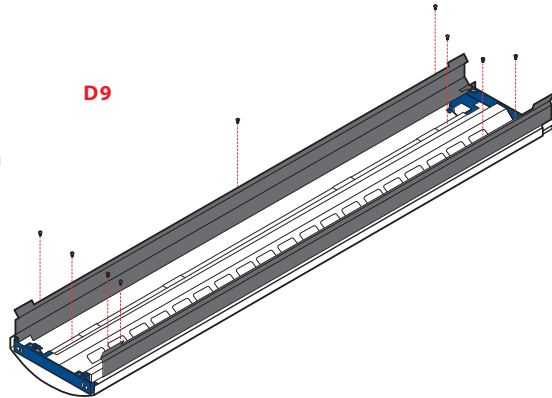
⚠ DO NOT BUILD ROWS ON FLOOR TO HOIST **👤👤 REQUIRES TWO PEOPLE TO INSTALL** **CORD IS SHIPPED IN BULK**

- 1)** Remove screws and tilt top reflector(s) back to expose the endplates welded onto the body.

D1/D2/D3

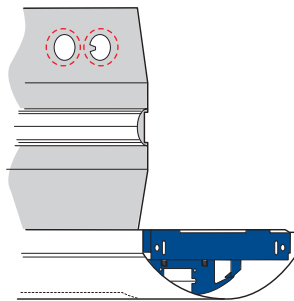


D9

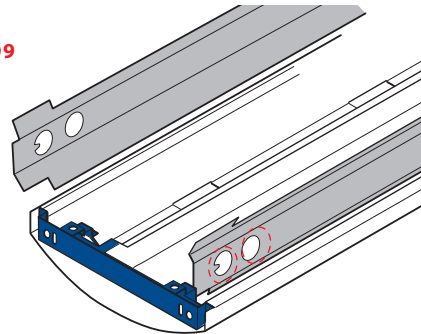


- 2)** Remove appropriate tab / knock out for power feed connection based on installation.

D1/D2/D3

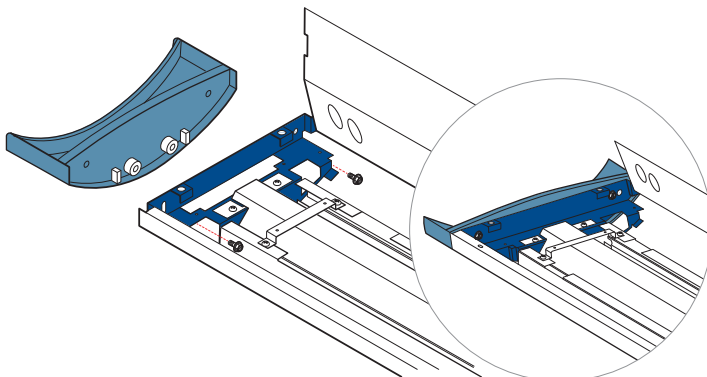


D9

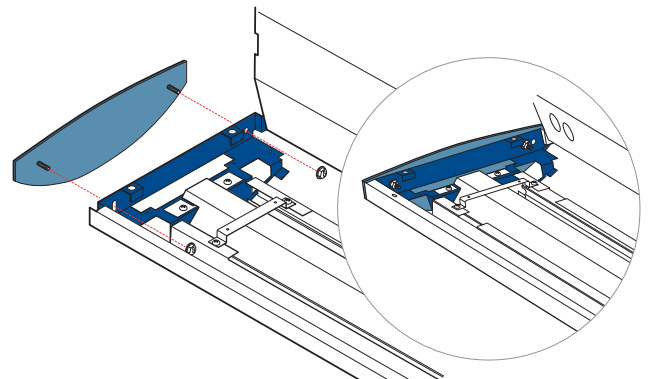


- 3)** Install finish plate to the left side of the start fixture and the right side of the end fixture.

3IN Screw (2) #8-32 x 1/4" SL HEX WASHER HD TYPE F to attach the welded endplate on the body to the 3IN Die casted Finish plate.



FLT Screw (2) PALNUT 8-32 AML REG-FLG to the Pem STUD attached to the Finish plate to secure the welded endplate on the body to the FLT Finish plate.

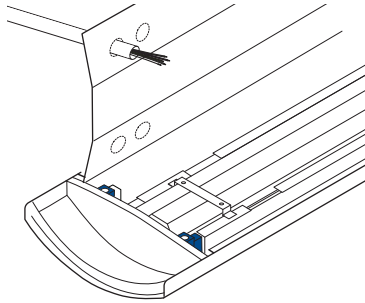


WARNING: Ground fixture in accordance with local and national electrical codes. Failure to do so may result in serious personal injury. Fixture Installations should ONLY be done by a qualified licensed electrical professional.

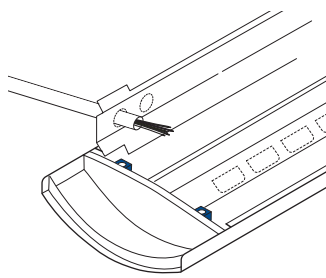


4) Insert bushing and feed cord. Crimp cord (fixture side). Cut and strip Connector. Make all wiring connections (see table).

D1/D2/D3



D9

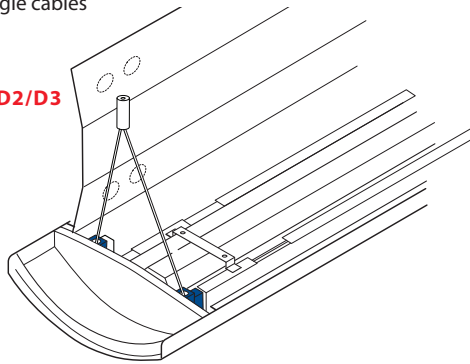


WIRING:

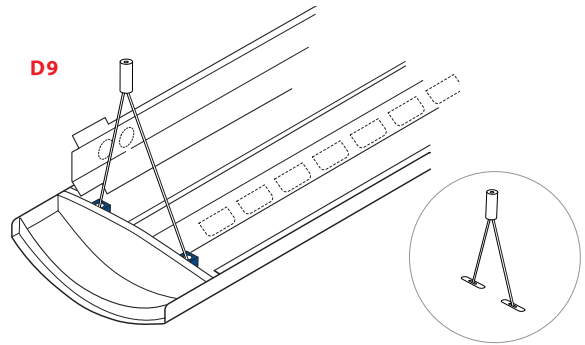
0-10V (+) : PURPLE	0-10V (-) : PINK
DALI (+) : PURPLE	DALI (-) : PINK
EcoSystem DALI (+) : PURPLE	EcoSystem DALI (-) : PINK
HOT : BLACK	
NEUTRAL : WHITE	
GROUND : GREEN	
CONSTANT HOT (EM) : RED	

5) Install Griplock "Y" toggle cables to hang fixtures.

D1/D2/D3

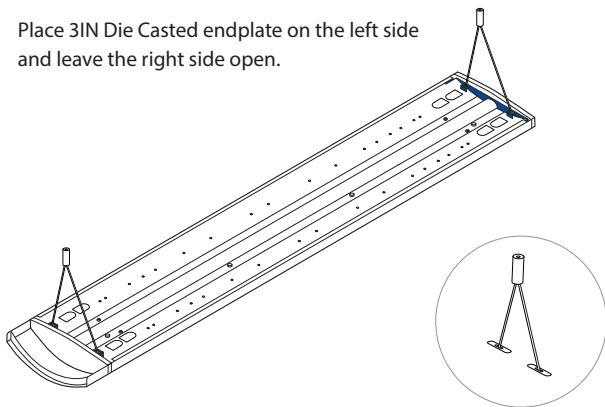


D9

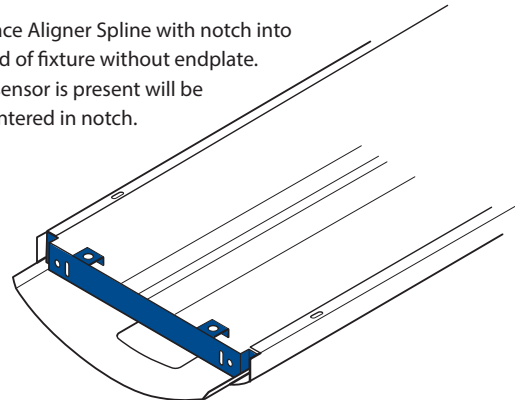


SEE PAGE 11-14 FOR CEILING MOUNTING INSTRUCTION

6) Place 3IN Die Casted endplate on the left side and leave the right side open.



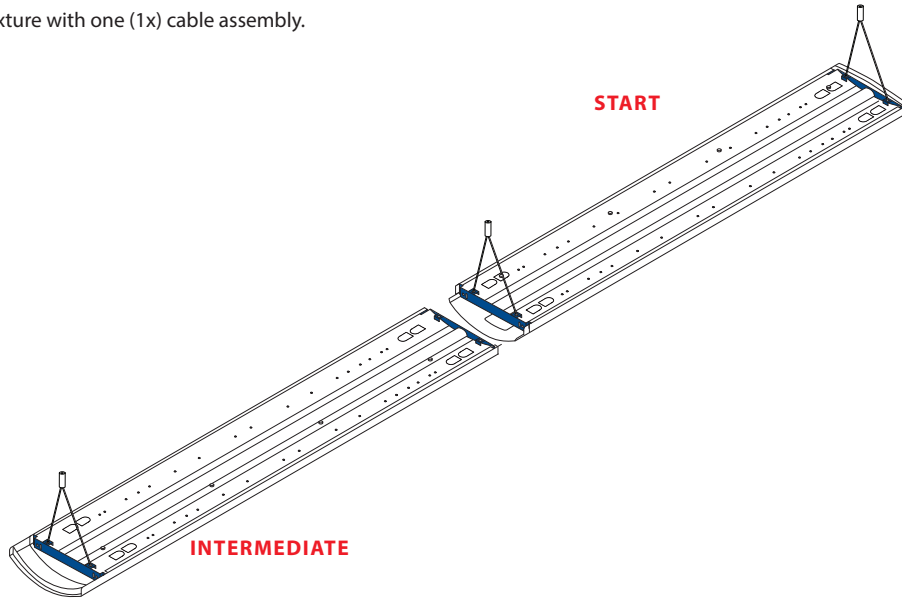
7a) Place Aligner Spline with notch into end of fixture without endplate. If sensor is present will be centered in notch.



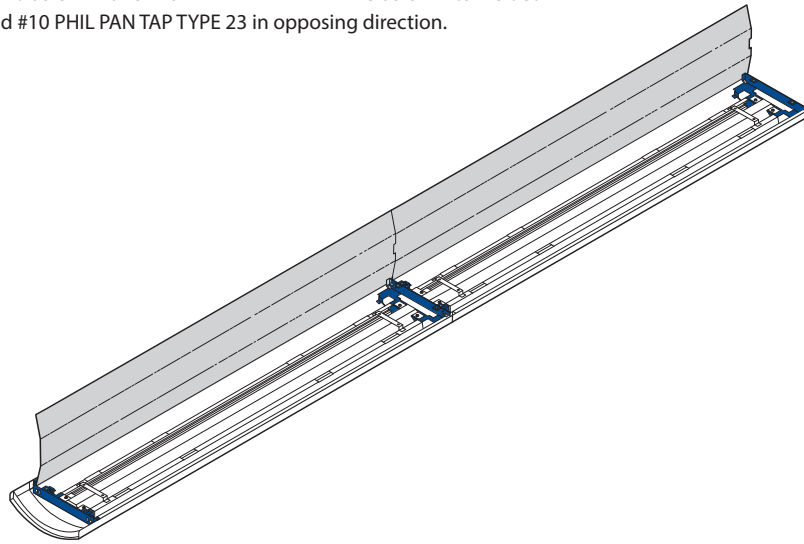
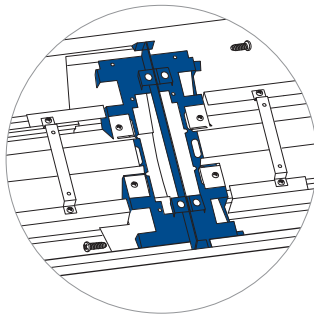
WARNING: Ground fixture in accordance with local and national electrical codes. Failure to do so may result in serious personal injury. Fixture Installations should ONLY be done by a qualified licensed electrical professional.



7b) Hang NEXT fixture with one (1x) cable assembly.



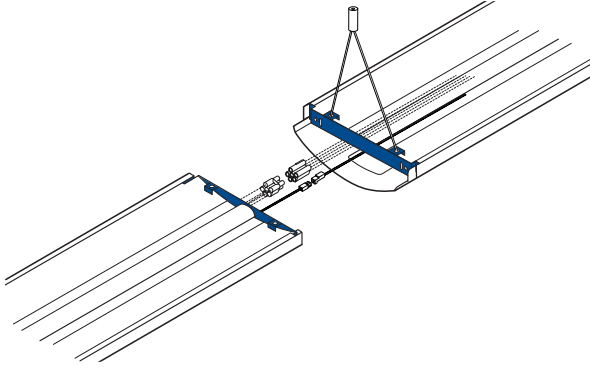
8) Flip back open the top reflector(s) and screw in one #10 PHIL PAN TAP TYPE 23 screw into welded end plate as shown. Screw in second #10 PHIL PAN TAP TYPE 23 in opposing direction.



WARNING: Ground fixture in accordance with local and national electrical codes. Failure to do so may result in serious personal injury. Fixture Installations should ONLY be done by a qualified licensed electrical professional.



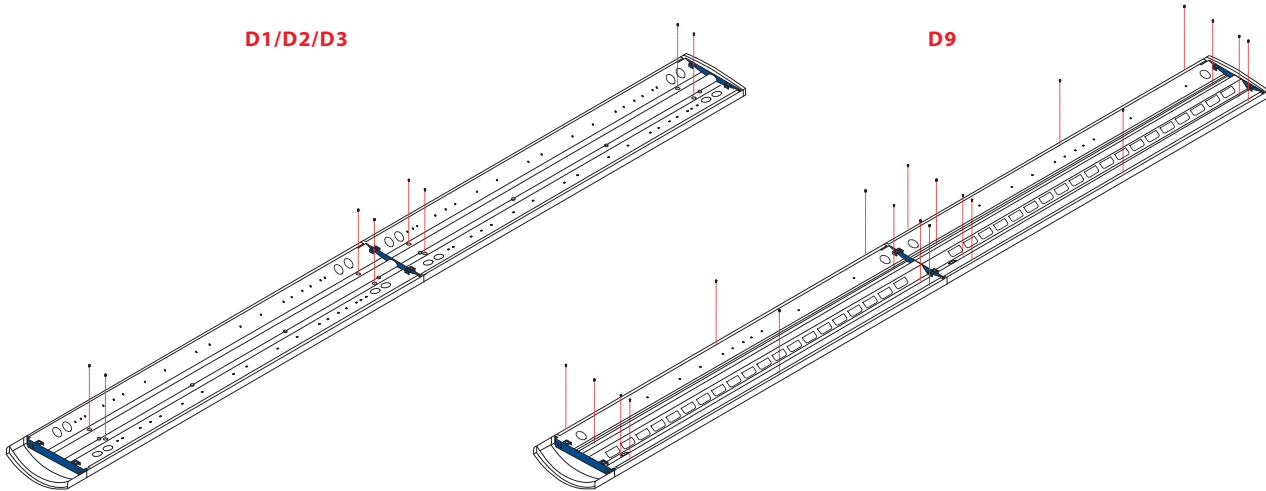
9) Make electrical and dimming harness connections.



10) Reinstall the top reflector(s) by screwing back on the (4) #6-32 x ¼ PHIL PAN HEAD screws or (10) #6-32 x ¼ FLAT PAN HEAD.

D1/D2/D3

D9



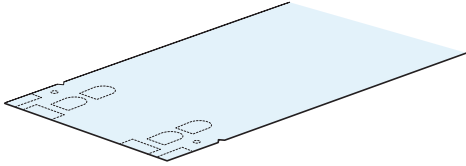
11) Install Acrylic Dust Cover (optional, see page 10).

WARNING: Ground fixture in accordance with local and national electrical codes. Failure to do so may result in serious personal injury. Fixture Installations should ONLY be done by a qualified licensed electrical professional.

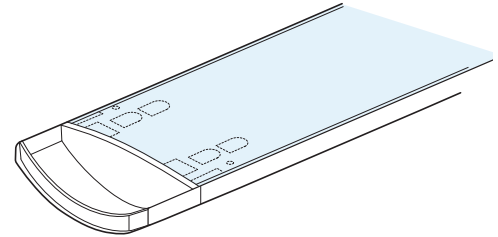


ACRYLIC DUST COVER INSTALLATION

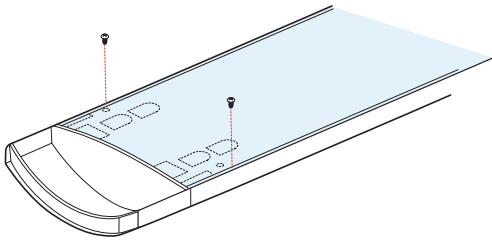
- 1)** Remove appropriate knock out for power feed connection based on installation.



- 2)** Place dust cover on top of fixture.



- 3)** Secure using plastic fasteners



WARNING: Ground fixture in accordance with local and national electrical codes. Failure to do so may result in serious personal injury. Fixture Installations should ONLY be done by a qualified licensed electrical professional.

Wave2Pro | Linear

Adjustable Toggle Cable (X1 / T-Bar)

INSTALLATION INSTRUCTIONS

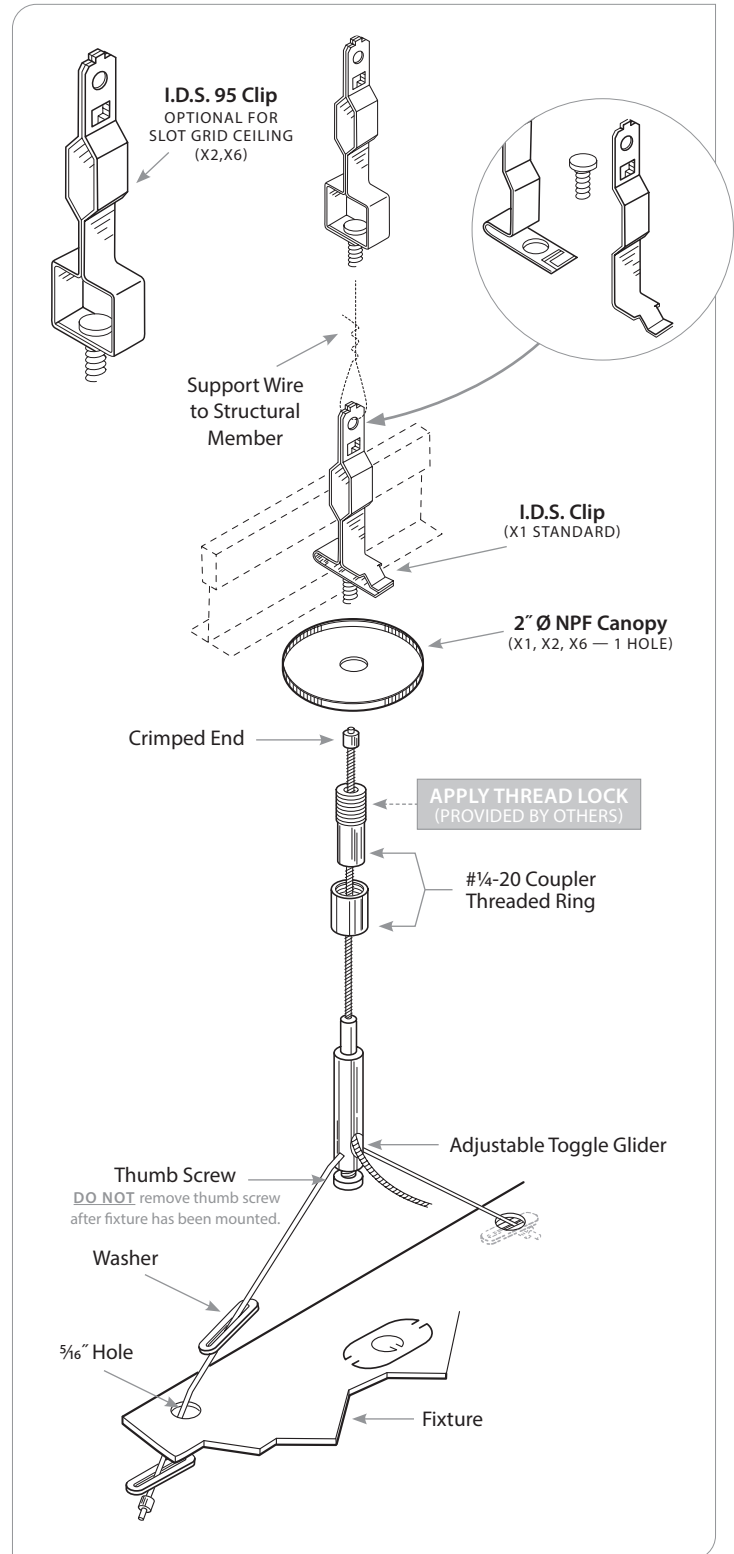


PRUDENTIAL LTG.

PRULITE.COM 213.746.0360

1. Place ¼-20 stud into square opening on the bottom of I.D.S. clip. Position I.D.S. clip on ceiling grid at required location. Secure clip to structural member by inserting support wire through ¼" dia. hole located at top of I.D.S. clip (wire provided by others).
2. Insert open end of support cable through top threaded end of ¼-20 coupling. Pull cable until crimp stops inside threaded end of coupling.
3. Push open (non crimped) end of cable through top (smooth end of adjustable glider). Insert cable completely through glider. Glider will engage around cable to prevent slipping. Disengage glider by pressing top smooth end down. Hold in place and pull cable back for adjustment.
4. Insert toggle cable through ⅝" holes on each side of fixture housing, adjust cable to desired lengths. Trim excess cable no less than 3" beyond cable outlet.
5. Unscrew threaded ring from top of ¼-20 coupling. Insert ¼-20 coupling through ⅜" dia. center hole on canopy and let threaded ring and canopy rest on fixture end. Lift coupling/cable to ceiling with fixture attached and thread ¼-20 coupler onto strap bolt (be sure coupling is secure). Adjust cable to required distance from ceiling surface. Lift canopy against ceiling surface and secure in place with threaded ring.

CAUTION: Do not remove crimp from cable. Crimps are factory pressed onto cable for maximum strength. Prudential Lighting will not be responsible for damage or injuries which occur due to cable/crimp alterations. If different cable lengths are required, contact Prudential Lighting immediately.



WARNING: Ground fixture in accordance with local and national electrical codes. Failure to do so may result in serious personal injury. Fixture Installations should ONLY be done by a qualified licensed electrical professional.

Wave2Pro | Linear

Adjustable Cord / Cable Support (X1 / T-Bar)

INSTALLATION INSTRUCTIONS



PRUDENTIAL LTG.

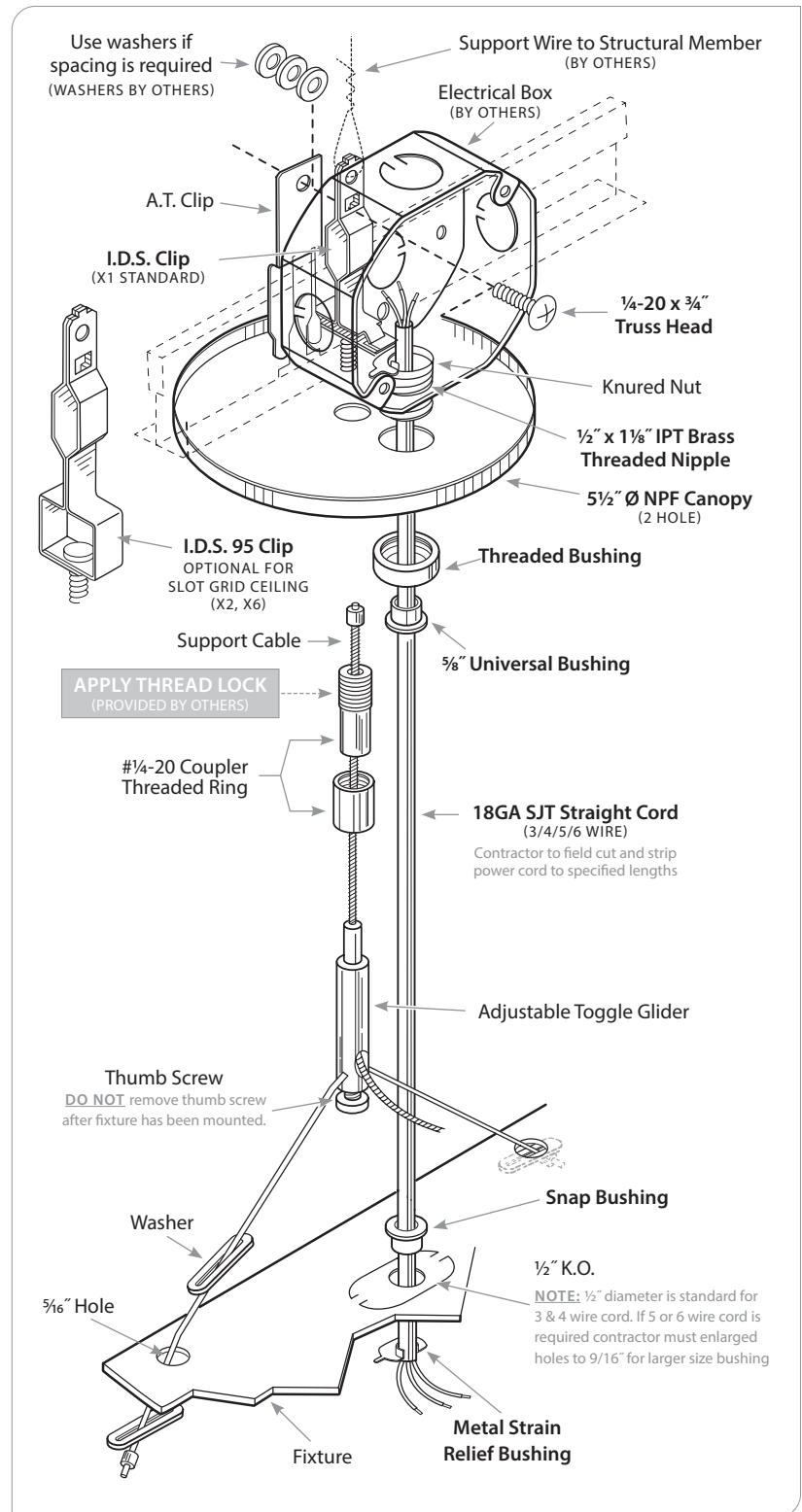
PRULITE.COM 213.746.0360

- Place 1/4-20 stud into square opening on the bottom of I.D.S. clip. Position I.D.S. clip on ceiling grid at required location. Place A.T. Clip onto ceiling grid. Slide A.T. clip against I.D.S. clip. Attach 3 1/2" octagonal electrical box to A.T. clip with 1/4-20 x 3/4" screw. Place washers between A.T. clip and electrical box. Secure box to grid. (See figure 1).
- Insert open end of support cable through top threaded end of 1/4-20 coupler. Pull cable until crimp stops inside threaded end of coupler. Push (Non-crimped end) of cable through top (smooth end of adjustable glider). Insert cable completely through glider. Hold in place and pull cable for adjustment.
- Insert toggle cable through 5/16" holes on each side of fixture housing, adjust cable to desired lengths. Trim excess cable no less than 3" beyond cable outlet.
- Remove 1/2" round K.O. from the fixture. *Contractor to field cut SJT cord at specified lengths and strip back a portion of outer insulation from one end of SJT cord. (Contractor to determine amount to be stripped). Insert stripped end of SJT cord through snap bushing. Press snap bushing and cord through 1/2" hole of the fixture. The cord should be secured with strain relief inside fixture.
- Place threaded ring over top of 1/4-20 coupler. Insert 1/4-20 coupler through 1 3/32" dia. center hole on canopy. Slip universal bushing and threaded bushing over top end of SJT cord. Let canopy rest on fixture end. Lift coupler/cable to ceiling with fixture attached. Thread 1/4-20 coupler onto I.D.S. stud. (Be sure coupler is secure). Adjust cable to require distance from ceiling surface.
- Use 1/2" nipple from canopy to electrical box. Trim SJT cord to required length and secure to electrical box with strain relief. Make all wire connections and replace electrical box cover. Lift canopy against ceiling surface. Apply a small amount of thread lock to coupler threaded area. Secure in place with threaded ring. Hold SJT cord under canopy and turn threaded bushing onto 1/2" nipple. Snap universal bushing into threaded bushing.

NOTE: Canopy will accommodate 3 1/2" octagonal electrical box. Electrical box must be attached to A.T. clip. Refer to NEC 370-16 for maximum electrical box fill. Clamp connector and electrical box provided by others.

CAUTION: Do not remove crimp from cable. Crimps are factory pressed onto cable for maximum strength. Prudential Lighting will not be responsible for damage or injuries which occur due to cable/crimp alterations. If different cable lengths are required, contact Prudential Lighting immediately.

* Cord must terminate directly into electrical box. Cord is not plenum rated. 1" of additional cord provided for each feed location.



WARNING: Ground fixture in accordance with local and national electrical codes. Failure to do so may result in serious personal injury. Fixture Installations should ONLY be done by a qualified licensed electrical professional.

Wave2Pro | Linear Adjustable Cable Support (X3 / Hard Ceiling)

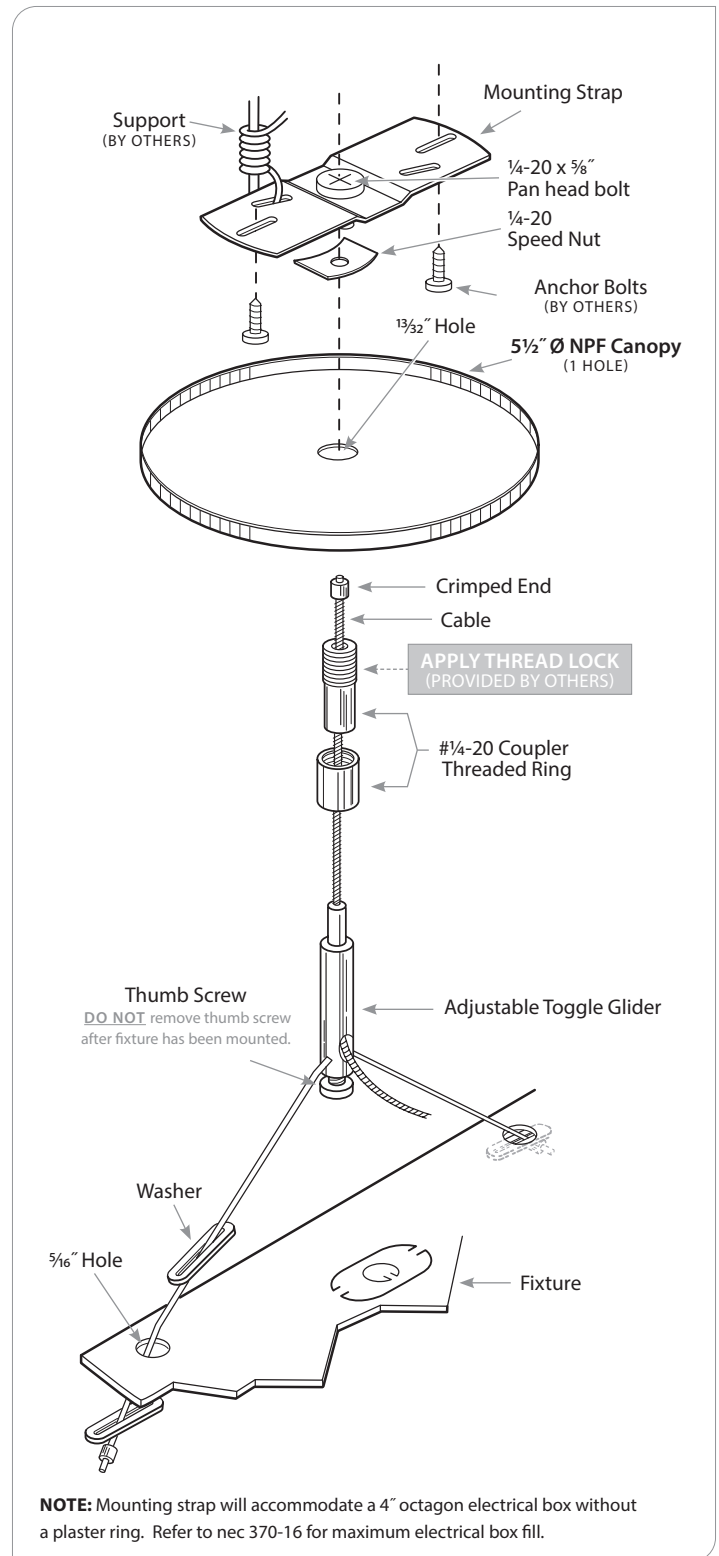
INSTALLATION INSTRUCTIONS



1. Anchor mounting straps to ceiling at cable locations. If mounting plan drawings is provided follow dimensions specified in row or pattern layout. (Contractor is to determine best anchoring hardware to be used in securing mounting strap to ceiling)
2. Insert non-crimped end of support cable through top threaded end of 1/4-20 coupling. Pull cable until crimp stops inside threaded end of coupling.
3. Push non-crimped end of cable through top (smooth end adjustable glider). Insert cable completely through glider. Glider will engage by pressing top smooth end down. Hold in place and pull back for adjustment.
4. Insert toggle cable through 5/16" holes on each side of fixture housing, adjust cable to desired lengths. Trim excess cable no less than 3" beyond cable outlet.
5. Unscrew threaded ring from top of 1/4-20 coupling. Insert 1/4-20 coupling through 1 3/32" dia. center hole on canopy and let threaded ring and canopy rest on fixture end. Lift coupling/cable to ceiling with fixture attached and thread 1/4-20 coupler onto strap bolt (be sure coupling is secure). Adjust cable to required distance from ceiling surface. Lift canopy against ceiling surface and secure in place with threaded ring.

NOTE: Depending on ceiling construction, reinforcement may be required at each mounting location.

CAUTION: Do **NOT** remove crimp from cable. Crimps are factory pressed onto cable for maximum strength. Prudential Lighting will not be responsible for damage or injuries which occur due to cable/crimp alterations. If different cable lengths are required, contact Prudential Lighting immediately.



WARNING: Ground fixture in accordance with local and national electrical codes. Failure to do so may result in serious personal injury. Fixture Installations should **ONLY** be done by a qualified licensed electrical professional.

Wave2Pro | Linear

Adjustable Cord / Cable Support (X3 / Hard Ceiling)

INSTALLATION INSTRUCTIONS



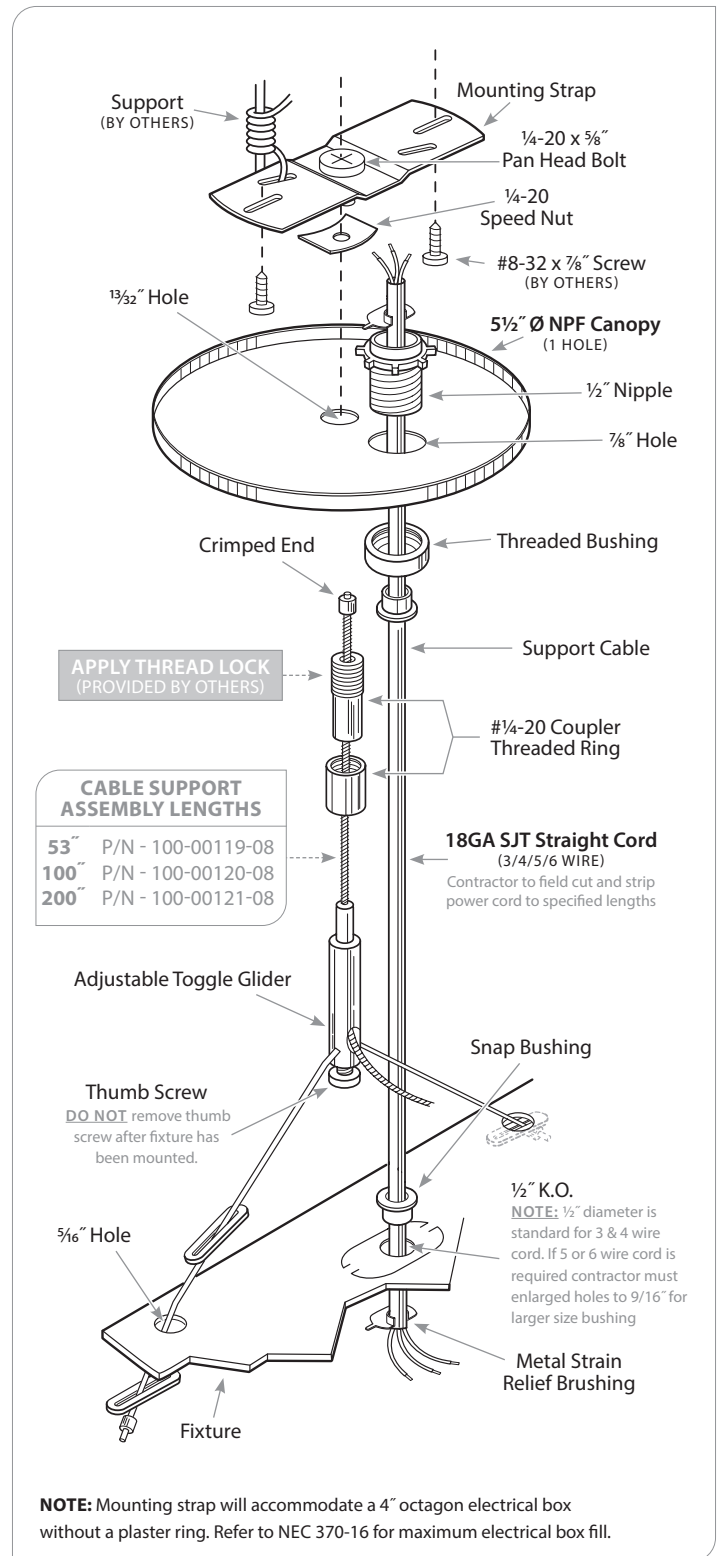
PRUDENTIAL LTG.

PRULITE.COM 213.746.0360

1. Use #8-32 x 7/8" screws (provided by others) to fasten the mounting strap to the J-box. If weight exceeds 50 pounds, reinforce mounting strap with support wire secured to structural material (support wire provided by others).
2. Insert open end of support cable through top threaded end of 1/4-20 coupler. Pull cable until crimp stops inside threaded end of coupler. Push (Non-crimped end) of cable through top (smooth end of adjustable glider). Insert cable completely through glider. Hold in place and pull cable for adjustment.
3. Insert toggle cable through 5/16" holes on each side of fixture housing, adjust cable to desired lengths. Trim excess cable no less than 3" beyond cable outlet.
4. Remove 1/2" round K.O. located on surface of fixture end. *Contractor to field cut SJT cord at specified lengths and strip back a portion of outer insulation from one end of SJT cord (contractor to determine amount to be stripped). Insert stripped end of cord through snap bushing. Press snap bushing & cord into 1/2" round opening. Place metal strain relief bushing around cord under fixture end and crimp with pliers. Cord should be secured to fixture end. Insert top end of cord through universal bushing, and threaded bushing. Trim cord to required length and secure to canopy with strain relief through 1/2" nipple. Make all wire connection.
5. Unscrew threaded ring from top of 1/4-20 coupling. Insert 1/4-20 coupling through center hole on canopy. Apply small amount of thread lock on mounting stud. Lift coupling/canopy, and fixture to mounting strap and screw coupling to bolt (be sure coupling is secure). Adjust cable to required distance from ceiling surface.

CAUTION: Do **NOT** remove crimp from cable. Crimps are factory pressed onto cable for maximum strength. Prudential Lighting will not be responsible for damage or injuries which occur due to cable/crimp alterations. If different cable lengths are required, contact Prudential Lighting immediately.

* Cord must terminate directly into electrical box. Cord is not plenum rated. 1" of additional cord provided for each feed location.



WARNING: Ground fixture in accordance with local and national electrical codes. Failure to do so may result in serious personal injury. Fixture Installations should ONLY be done by a qualified licensed electrical professional.