

Wet BionicPro | Linear

WMU/WMU1/WMU2 Surface+Wall — Brackets

INSTALLATION INSTRUCTIONS

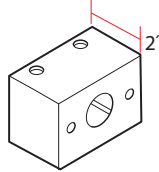
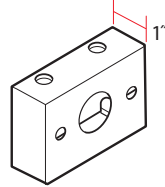
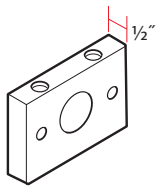


PRUDENTIAL LTG.

PRULITE.COM 213.746.0360

WET BPRO-LIN BRACKETS

WMU	WMU1	WMU2
-----	------	------



SURFACE:

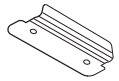
173720	173721	173722
--------	--------	--------

WALL:

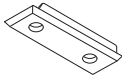
173717	173718	173719
--------	--------	--------

PART	PART NO.	DESCRIPTION
------	----------	-------------

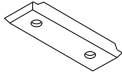
LENS CLAMP KIT:



170524 Lens Clamp Bracket



100-00254-03 Endplate Clamp Cap



100-00154-17 Molded Clamp Gasket



100-00422-14 Socket Head Cap Screw 6-32 x 3/8"



100-00423-14 Black Nylon Flat Washer .140ID x 312OD

PARTS SHIPPED INSTALLED:



100-00376-14 Heyco 1065 Liquid-tight Cord Seal BLACK - LTBSR 875-094-440

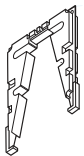


100-00432-14 Heyco C2070 Liquid-tight Break-thru Plug BLACK - LTBP 875-250



100-00433-14 Heyco 3486VB LTSV 875 Vent Plug

ROW MOUNTING GASKET:



100-00397-17 Joiner Gasket — BLACK

100-00435-17 Joiner Gasket — WHITE

WET BPRO3 LENSES:

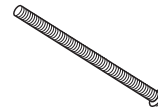
PARTS LIST	LENGTH	PART NO.							
		SAL	BTW	WWF	WWG	PFL	NGZ	MGZ	WGZ
	8'	173834	173826	173842	173850	173858	173866	173874	173882
	7'	173835	173827	173843	173851	173859	173867	173875	173883
	6'	173836	173828	173844	173852	173860	173868	173876	173884
	5'	173837	173829	173845	173853	173861	173869	173877	173885
	4'	173838	173830	173846	173854	173862	173870	173878	173886
	3'	173839	173831	173847	173855	173863	173871	173879	173887
	2'	173840	173832	173848	173856	173864	173872	173880	173888
	ROLL	100-00501-10	163441	163442	163443	163444	163445	163446	163447

WARNING: Ground fixture in accordance with local and national electrical codes. Failure to do so may result in serious personal injury. Fixture Installations should ONLY be done by a qualified licensed electrical professional.

US★ Prudential Ltg. reserves the right to change design specifications or materials without notice. Please visit prulite.com for most current data. © 2026 All rights reserved—All products manufactured at: Prudential Ltg. 1774 E. 21st Street, Los Angeles, CA 90058

PART	PART NO.	DESCRIPTION
------	----------	-------------

ROW MOUNTING:



100-00283-14 1/4-20 x 5.0 Round Head Combination Drive Machine Screw



100-00255-14 1/4-20 Hex Nut



100-00483-10 Endplate Reflector



100-00486-10 Seam Reflector



100-00464-10 BionicPro3 Lens Tool



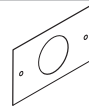
— Lens Lube



100-00012-14 1/4-20 Speed Nut



100-00432-14 Heyco C2070 Liquid-Tight Break-thru Plug BLACK LTBP 875-250

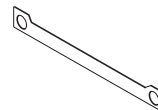


100-00157-17 WMU Mount Gasket



100-00424-14 Phillips Flat Head 8-32 x 0.625L Screw

PARTS SHIPPED INSTALLED:



172851 Wet BPRO-LIN Mullion Bracket



100-00427-14 Phillips Flat Head 4-40 x 0.250L Screw

Wet BionicPro | Linear

WMU/WMU1/WMU2 Surface+Wall — Brackets

INSTALLATION INSTRUCTIONS



PRUDENTIAL LTG.

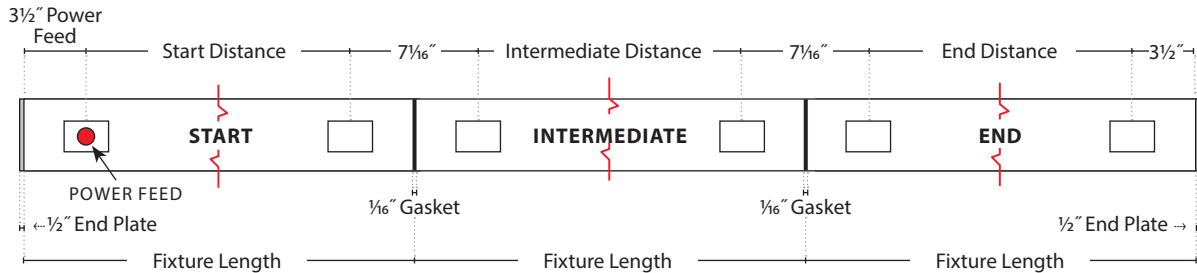
PRULITE.COM 213.746.0360

WMU/WMU1/WMU2 (BRACKETS): SURFACE — MOUNTING

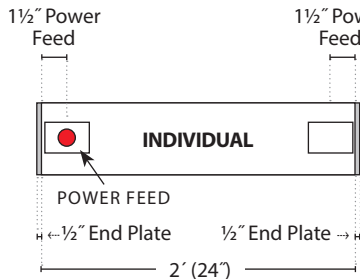
NOTE: 2' ROW FIXTURES NOT AVAILABLE

ROWS:

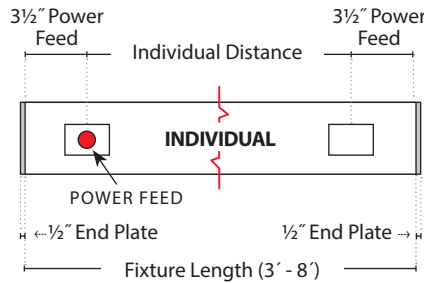
● POWER FEED



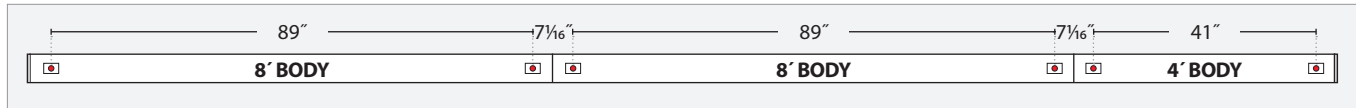
INDIVIDUAL (2'):



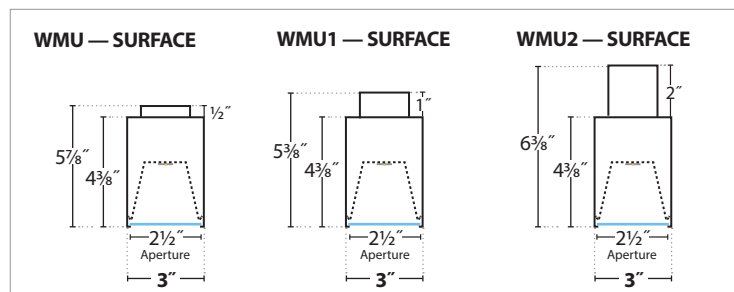
INDIVIDUAL (3' - 8'):



EXAMPLE OF 20' ROW — SURFACE MOUNT:



FIXTURE LENGTHS	MOUNTING DISTANCE		COS (Custom On-Center Spacing)	
	All	Start / Intermediate / End		Individual
2'	24"	—	21"	Customer to provide on-center mounting dimensions, PRU will pre-drill and mount Brackets
3'	36"	29"	29"	
4'	48"	41"	41"	
5'	60"	53"	53"	
6'	72"	65"	65"	
7'	84"	77"	77"	
8'	96"	89"	89"	



WARNING: Ground fixture in accordance with local and national electrical codes. Failure to do so may result in serious personal injury. Fixture Installations should ONLY be done by a qualified licensed electrical professional.

Wet BionicPro | Linear

WMU/WMU1/WMU2 Surface+Wall — Brackets

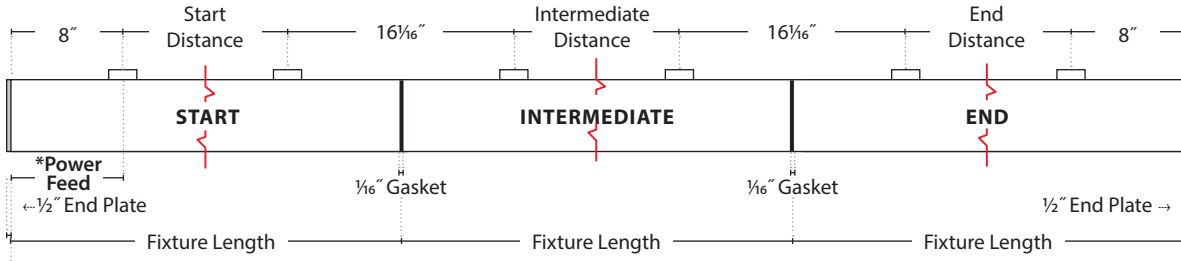
INSTALLATION INSTRUCTIONS



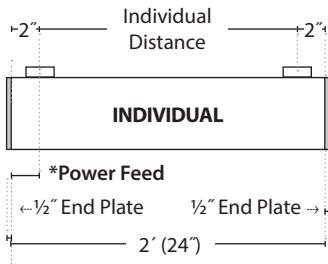
WMU/WMU1/WMU2 (BRACKETS): WALL — MOUNTING

NOTE: 2' ROW FIXTURES NOT AVAILABLE

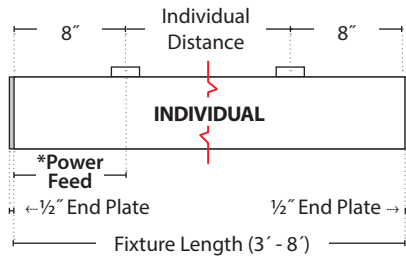
ROWS:



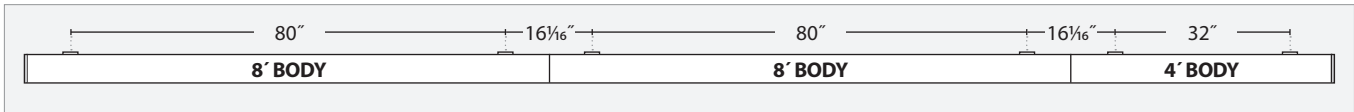
INDIVIDUAL (2'):



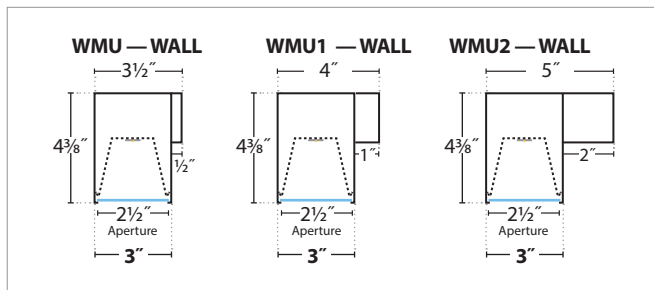
INDIVIDUAL (3' - 8'):



EXAMPLE OF 20' ROW — WALL MOUNT:



	FIXTURE LENGTHS		MOUNTING DISTANCE		COS (Custom On-Center Spacing)
	*Power Feed	All	Start / Intermediate / End	Individual	
2'	2"	24"	—	20"	Customer to provide on-center mounting dimensions, PRU will pre-drill and mount Brackets
3'	8"	36"	20"	20"	
4'	8"	48"	32"	32"	
5'	8"	60"	44"	44"	
6'	8"	72"	56"	56"	
7'	8"	84"	68"	68"	
8'	8"	96"	80"	80"	



WARNING: Ground fixture in accordance with local and national electrical codes. Failure to do so may result in serious personal injury. Fixture Installations should ONLY be done by a qualified licensed electrical professional.

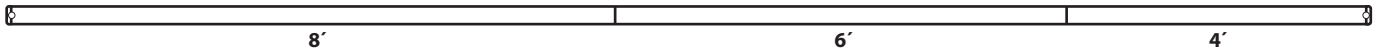
Wet BionicPro | Linear

WMU/WMU1/WMU2 Surface+Wall — Brackets

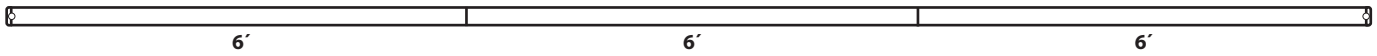


ROW BUILDER

18' STANDARD ROW LENGTH:



18' SYMMETRIC ROW LENGTH (SRL):



STANDARD

ROW LENGTH			TOTAL LENGTH WITH ENDCAPS AND ROW JOINER GASKET (INCHES)
9'	5+4	5FT STR + 4FT END	109.06
10'	6+4	6FT STR + 4FT END	121.06
11'	7+4	7FT STR + 4FT END	133.06
12'	8+4	8FT STR + 4FT END	145.06
13'	8+5	8FT STR + 5FT END	157.06
14'	8+6	8FT STR + 6FT END	169.06
15'	8+7	8FT STR + 7FT END	181.06
16'	8+8	8FT STR + 8FT END	193.13
17'	8+5+4	8FT STR + 5FT INT + 4FT END	205.13
18'	8+6+4	8FT STR + 6FT INT + 4FT END	217.13
19'	8+7+4	8FT STR + 7FT INT + 4FT END	229.13
20'	8+8+4	8FT STR + 8FT INT + 4FT END	241.13
21'	8+8+5	8FT STR + 8FT INT + 5FT END	253.13
22'	8+8+6	8FT STR + 8FT INT + 6FT END	265.13
23'	8+8+7	8FT STR + 8FT INT + 7FT END	277.13
24'	8+8+8	8FT STR + 8FT INT + 8FT END	289.13
25'	8+8+5+4	8FT STR + 8FT INT + 5FT INT + 4FT END	301.19
26'	8+8+6+4	8FT STR + 8FT INT + 6FT INT + 4FT END	313.19
27'	8+8+7+4	8FT STR + 8FT INT + 7FT INT + 4FT END	325.19
28'	8+8+8+4	8FT STR + (2) 8FT INT + 4FT END	337.19
29'	8+8+8+5	8FT STR + (2) 8FT INT + 5FT END	349.19
30'	8+8+8+6	8FT STR + (2) 8FT INT + 6FT END	361.19
31'	8+8+8+7	8FT STR + (2) 8FT INT + 7FT END	373.19
32'	8+8+8+8	8FT STR + (2) 8FT INT + 8FT END	385.19
33'	8+8+8+5+4	8FT STR + (2) 8FT INT + 5FT INT + 4FT END	397.25
34'	8+8+8+6+4	8FT STR + (2) 8FT INT + 6FT INT + 4FT END	409.25
35'	8+8+8+7+4	8FT STR + (2) 8FT INT + 7FT INT + 4FT END	421.25
36'	8+8+8+8+4	8FT STR + (3) 8FT INT + 4FT END	433.25
37'	8+8+8+8+5	8FT STR + (3) 8FT INT + 5FT END	445.25
38'	8+8+8+8+6	8FT STR + (3) 8FT INT + 6FT END	457.25
39'	8+8+8+8+7	8FT STR + (3) 8FT INT + 7FT END	469.25
40'	8+8+8+8+8	8FT STR + (3) 8FT INT + 8FT END	481.25
41'	8+8+8+8+5+4	8FT STR + (3) 8FT INT + 5FT INT + 4FT END	493.31
42'	8+8+8+8+6+4	8FT STR + (3) 8FT INT + 6FT INT + 4FT END	505.31
43'	8+8+8+8+7+4	8FT STR + (3) 8FT INT + 7FT INT + 4FT END	517.31
44'	8+8+8+8+8+4	8FT STR + (4) 8FT INT + 4FT END	529.31
45'	8+8+8+8+8+5	8FT STR + (4) 8FT INT + 5FT END	541.31
46'	8+8+8+8+8+6	8FT STR + (4) 8FT INT + 6FT END	553.31
47'	8+8+8+8+8+7	8FT STR + (4) 8FT INT + 7FT END	565.31
48'	8+8+8+8+8+8	8FT STR + (4) 8FT INT + 8FT END	577.31
49'	8+8+8+8+8+5+4	8FT STR + (4) 8FT INT + 5FT INT + 4FT END	589.38
50'	8+8+8+8+8+6+4	8FT STR + (4) 8FT INT + 6FT INT + 4FT END	601.38

Wet BionicPro | Linear

WMU/WMU1/WMU2 Surface+Wall — Brackets



INSTALLATION INSTRUCTIONS

SYMMETRICAL

ROW LENGTH			TOTAL LENGTH WITH ENDCAPS AND ROW JOINER GASKET (INCHES)
9'	3+3+3	3FT STR + 3FT INT + 3FT END	109.13
10'	5+5	5FT STR + 5FT END	121.06
11'	4+3+4	4FT STR + 3FT INT + 4FT END	133.13
12'	6+6	6FT STR + 6FT END	145.06
13'	4+5+4	4FT STR + 5FT INT + 4FT END	157.13
14'	7+7	7FT STR + 7FT END	169.06
15'	5+5+5	5FT STR + 5FT INT + 5FT END	181.13
16'	8+8	8FT STR + 8FT END	193.06
17'	6+5+6	6FT STR + 5FT INT + 6FT END	205.13
18'	6+6+6	6FT STR + 6FT INT + 6FT END	217.13
19'	6+7+6	6FT STR + 7FT INT + 6FT END	229.13
20'	8+4+8	8FT STR + 4FT INT + 8FT END	241.13
21'	8+5+8	8FT STR + 5FT INT + 8FT END	253.13
22'	8+6+8	8FT STR + 6FT INT + 8FT END	265.13
23'	8+7+8	8FT STR + 7FT INT + 8FT END	277.13
24'	8+8+8	8FT STR + 8FT INT + 8FT END	289.13
25'	6+4+5+4+6	6FT STR + 4FT INT + 5FT INT + 4FT INT + 6FT END	301.25
26'	8+5+5+8	8FT STR + (2) 5FT INT + 8FT END	313.19
27'	6+5+5+5+6	6FT STR + (3) 5FT INT + 6FT END	325.25
28'	8+6+6+8	8FT STR + (2) 6FT INT + 8FT END	337.19
29'	8+4+5+4+8	8FT STR + 4FT INT + 5FT INT + 4FT INT + 8FT END	349.25
30'	8+7+7+8	8FT STR + (2) 7FT INT + 8FT END	361.19
31'	8+5+5+5+8	8FT STR + (3) 5FT INT + 8FT END	373.25
32'	8+8+8+8	8FT STR + (2) 8FT INT + 8FT END	385.19
33'	8+6+5+6+8	8FT STR + 6FT INT + 5FT INT + 6FT INT + 8FT END	397.25
34'	8+6+6+6+8	8FT STR + 6FT INT + 6FT INT + 6FT INT + 8FT END	409.25
35'	8+6+7+6+8	8FT STR + 6FT INT + 7FT INT + 6FT INT + 8FT END	421.25
36'	8+8+4+8+8	8FT STR + 8FT INT + 4FT INT + 8FT INT + 8FT END	433.25
37'	8+8+5+8+8	8FT STR + 8FT INT + 5FT INT + 8FT INT + 8FT END	445.25
38'	8+8+6+8+8	8FT STR + 8FT INT + 6FT INT + 8FT INT + 8FT END	457.25
39'	8+8+7+8+8	8FT STR + 8FT INT + 7FT INT + 8FT INT + 8FT END	469.25
40'	8+8+8+8+8	8FT STR + (3) 8FT INT + 8FT END	481.25
41'	8+6+4+5+4+6+8	8FT STR + 6FT INT + 4FT INT + 5FT INT + 4FT INT + 6FT INT + 8FT END	493.38
42'	8+8+5+5+8+8	8FT STR + 8FT INT + (2) 5FT INT + 8FT INT + 8FT END	505.31
43'	8+6+5+5+5+6+8	8FT STR + 6FT INT + (3) 5FT INT + 6FT INT + 8FT END	517.38
44'	8+8+6+6+8+8	8FT STR + 8FT INT + (2) 6FT INT + 8FT INT + 8FT END	529.31
45'	8+8+4+5+4+8+8	8FT STR + 8FT INT + 4FT INT + 5FT INT + 4FT INT + 8FT INT + 8FT END	541.38
46'	8+8+7+7+8+8	8FT STR + 8FT INT + (2) 7FT INT + 8FT INT + 8FT END	553.31
47'	8+8+5+5+5+8+8	8FT STR + 8FT INT + (3) 5FT INT + 8FT INT + 8FT END	565.38
48	8+8+8+8+8+8	8FT STR + (4) 8FT INT + 8FT END	577.31
49'	8+8+6+5+6+8+8	8FT STR + 8FT INT + 6FT INT + 5FT INT + 6FT INT + 8FT INT + 8FT END	589.38
50'	8+8+6+6+6+8+8	8FT STR + 8FT INT + (3) 6FT INT + 8FT INT + 8FT END	601.38

WARNING: Ground fixture in accordance with local and national electrical codes. Failure to do so may result in serious personal injury. Fixture Installations should ONLY be done by a qualified licensed electrical professional.

Wet BionicPro | Linear

WMU/WMU1/WMU2 Surface+Wall — Brackets

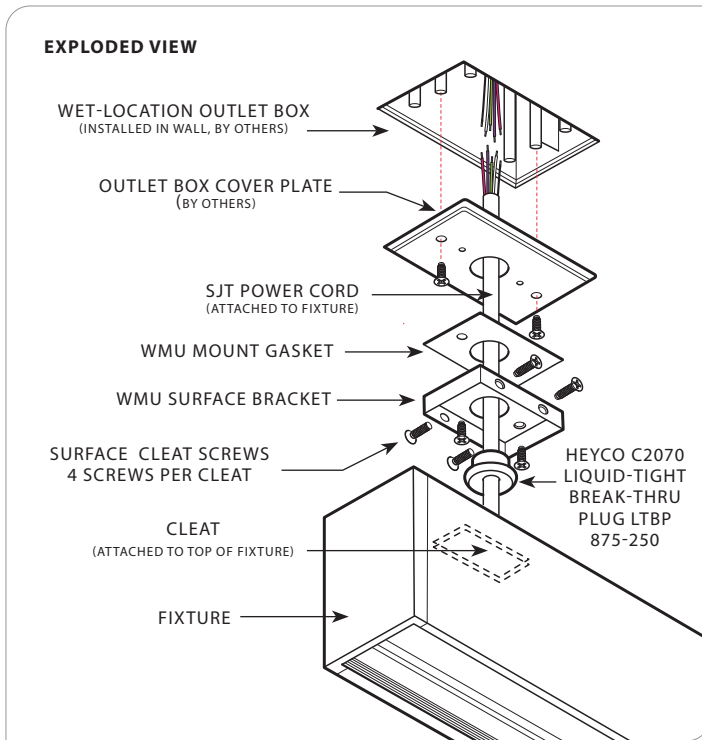
INSTALLATION INSTRUCTIONS



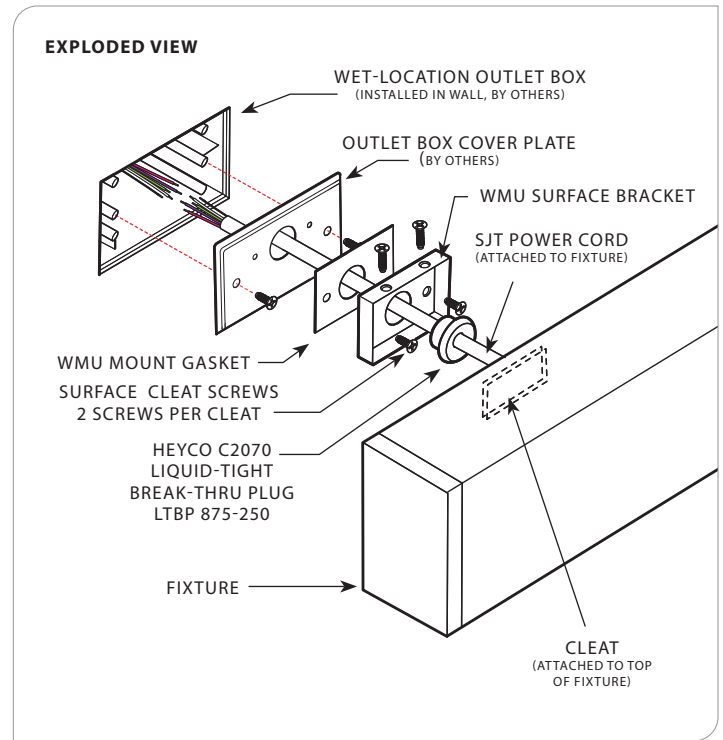
PRUDENTIAL LTG.

PRULITE.COM 213.746.0360

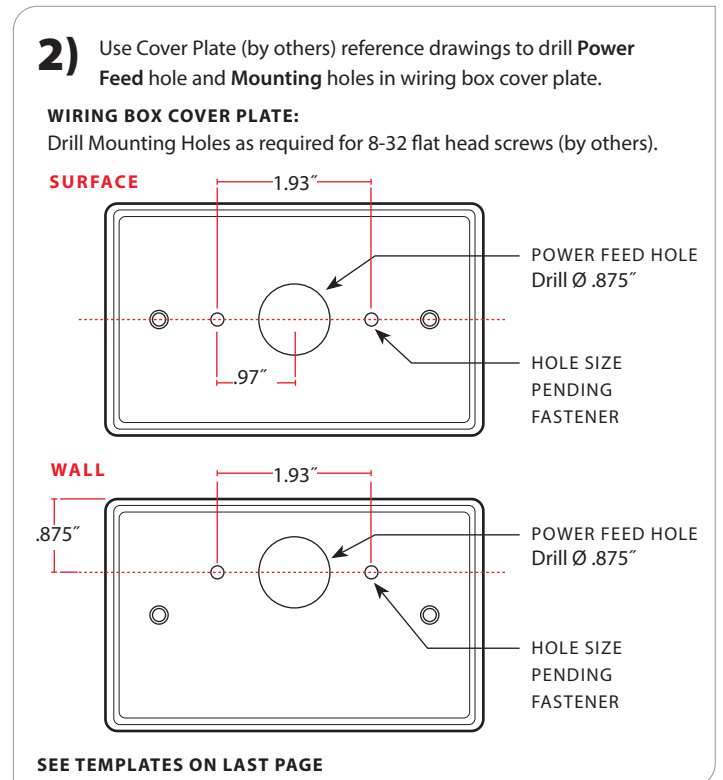
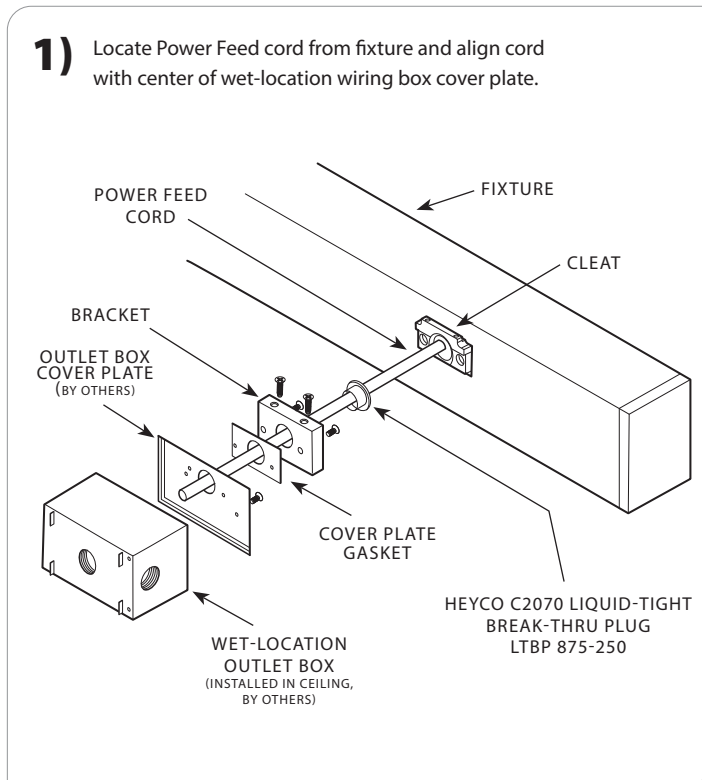
SURFACE MOUNT



WALL MOUNT



INDIVIDUAL / START POWER FEED FIXTURE INSTALL



WARNING: Ground fixture in accordance with local and national electrical codes. Failure to do so may result in serious personal injury. Fixture Installations should ONLY be done by a qualified licensed electrical professional.

Wet BionicPro | Linear

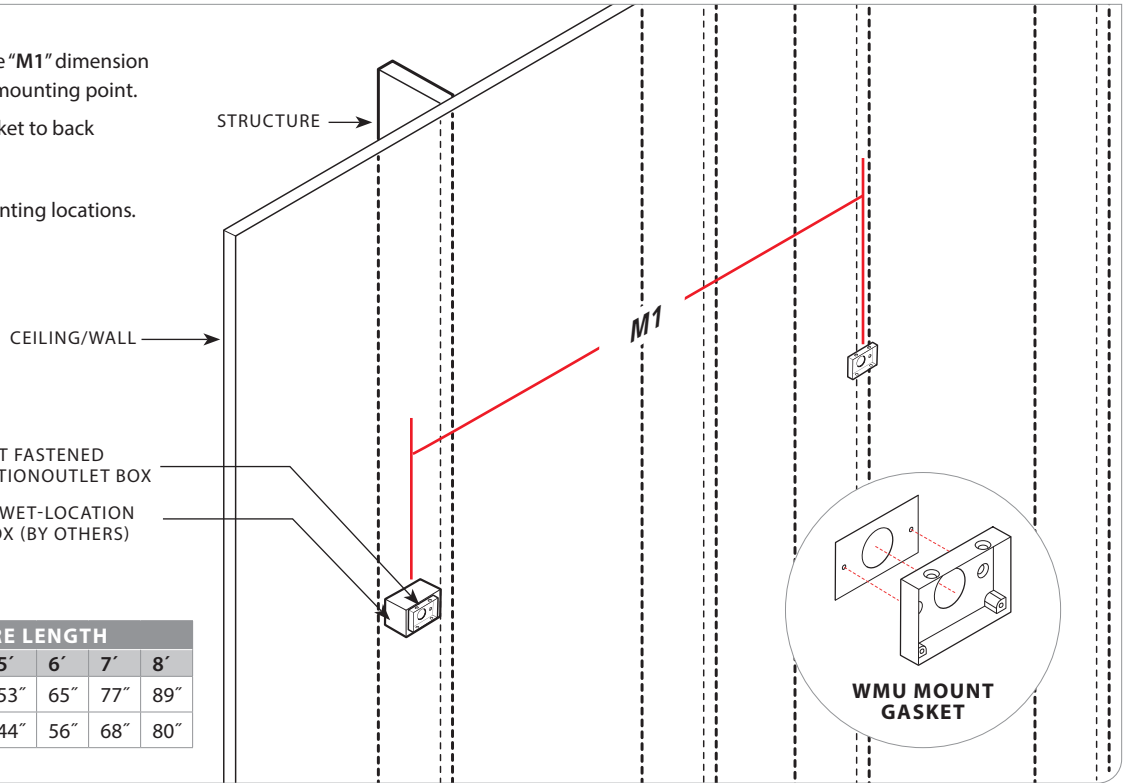
WMU/WMU1/WMU2 Surface+Wall — Brackets

INSTALLATION INSTRUCTIONS



3a) Use the table to find the “M1” dimension and locate the second mounting point. Apply WMU mount gasket to back face of bracket.

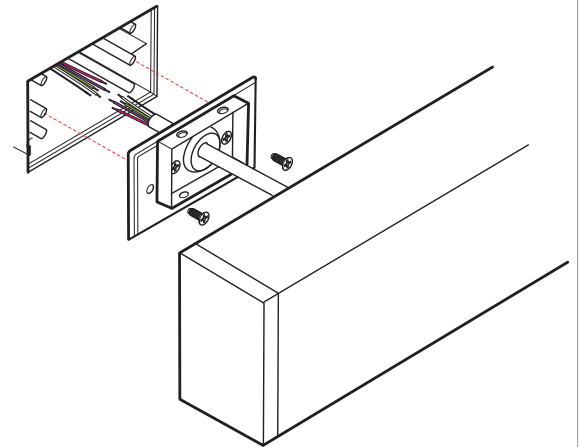
3b) Attach brackets to mounting locations.



M1 MOUNT DIMENSION:

	FIXTURE LENGTH						
	2'	3'	4'	5'	6'	7'	8'
SURFACE	21"	29"	41"	53"	65"	77"	89"
WALL	20"	20"	32"	44"	56"	68"	80"

4) Lift the fixture near the ceiling/wall and push the end of the power feed into the break-through plug in the back of the bracket. Make wiring connections and fasten cover plate to wiring box. Push fixture to ceiling/wall and align fixture cleats with mounted brackets.



WIRING:

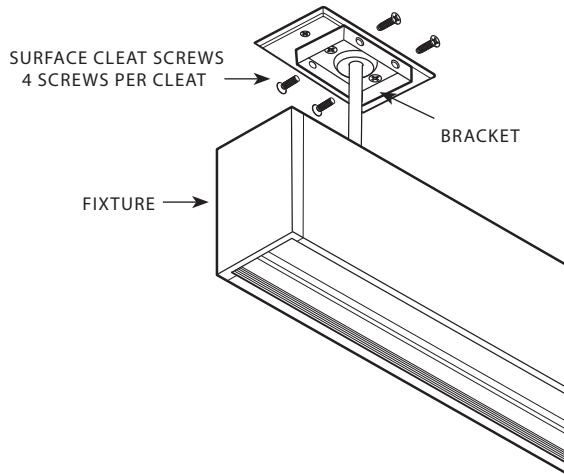
0-10V (+) : PURPLE	0-10V (-) : PINK
DALI (+) : PURPLE	DALI (-) : PINK
EcoSystem DALI (+) : PURPLE	EcoSystem DALI (-) : PINK
HOT : BLACK	
NEUTRAL : WHITE	
GROUND : GREEN	
CONSTANT HOT (EM) : RED	

WARNING: Ground fixture in accordance with local and national electrical codes. Failure to do so may result in serious personal injury. Fixture Installations should ONLY be done by a qualified licensed electrical professional.

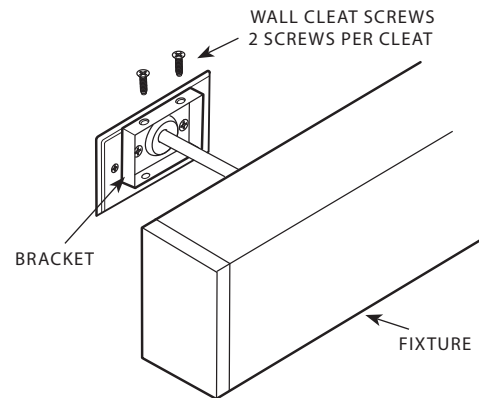


5) Attach cleat screws at mounting points and tighten fixture to cleats.

SURFACE MOUNT



WALL MOUNT



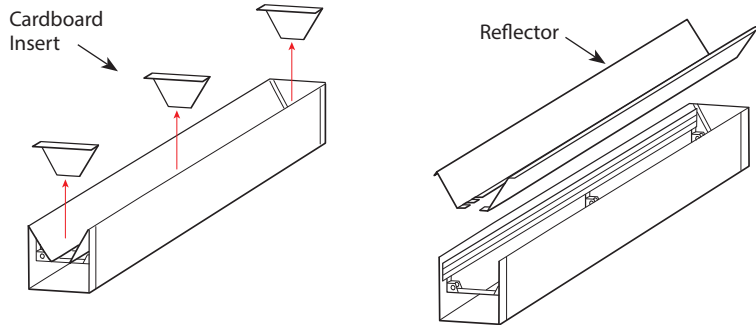
WARNING: Ground fixture in accordance with local and national electrical codes. Failure to do so may result in serious personal injury. Fixture Installations should ONLY be done by a qualified licensed electrical professional.



! DO NOT BUILD ROWS ON FLOOR TO HOIST **↑↑ REQUIRES TWO PEOPLE TO INSTALL** **CORD SHIPPED INSTALLED**

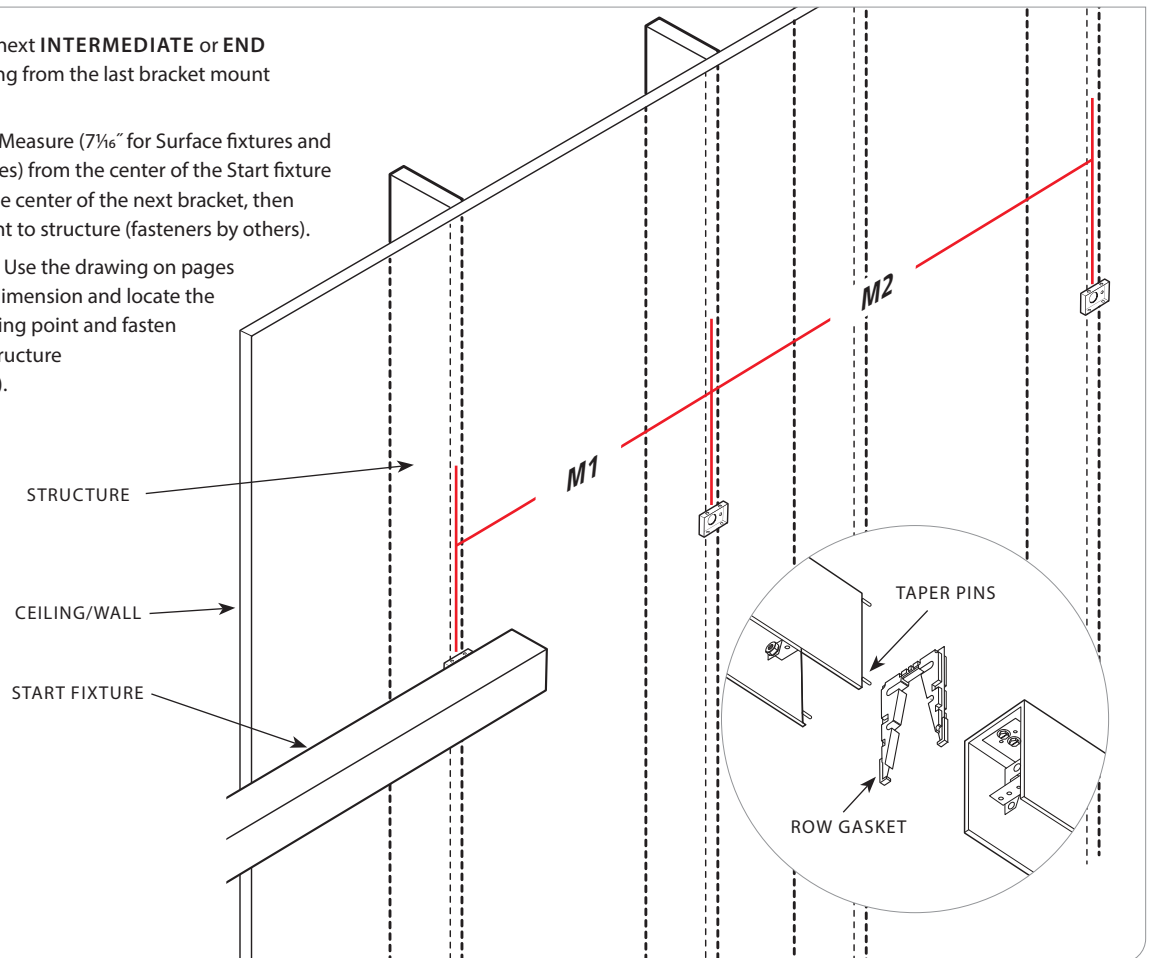
ROW FIXTURE INSTALL

- 1)** Remove cardboard inserts and reflectors.
Leave LED assembly in place.



- 2)** Continue to layout the next **INTERMEDIATE** or **END** fixture section measuring from the last bracket mount of the **START** fixture:

- **M1 DIMENSION:** Measure (7 $\frac{1}{16}$ " for Surface fixtures and 16 $\frac{1}{16}$ " for wall fixtures) from the center of the Start fixture bracket mount to the center of the next bracket, then fasten bracket mount to structure (fasteners by others).
- **M2 DIMENSION:** Use the drawing on pages 2 and 3 to find the dimension and locate the next bracket mounting point and fasten bracket mount to structure (fasteners by others).



WARNING: Ground fixture in accordance with local and national electrical codes. Failure to do so may result in serious personal injury. Fixture Installations should ONLY be done by a qualified licensed electrical professional.

Wet BionicPro | Linear WMU/WMU1/WMU2 Surface+Wall — Brackets

INSTALLATION INSTRUCTIONS

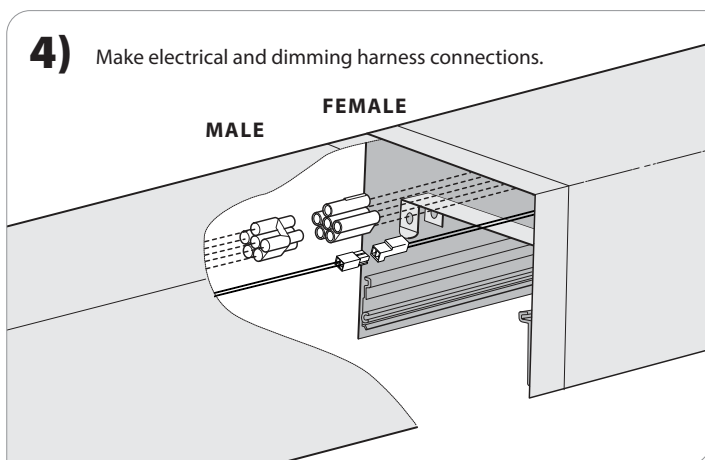
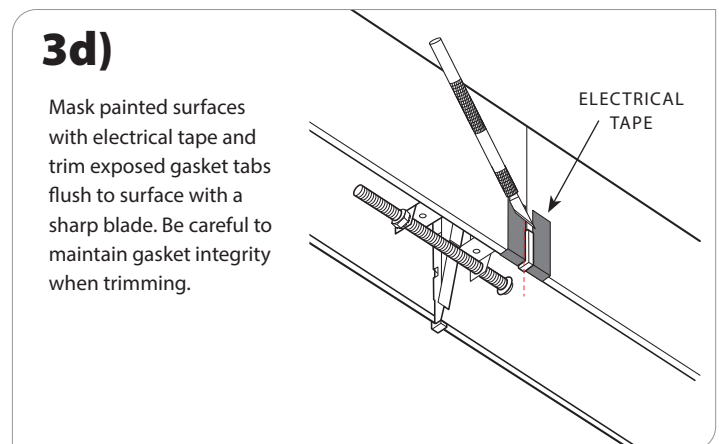
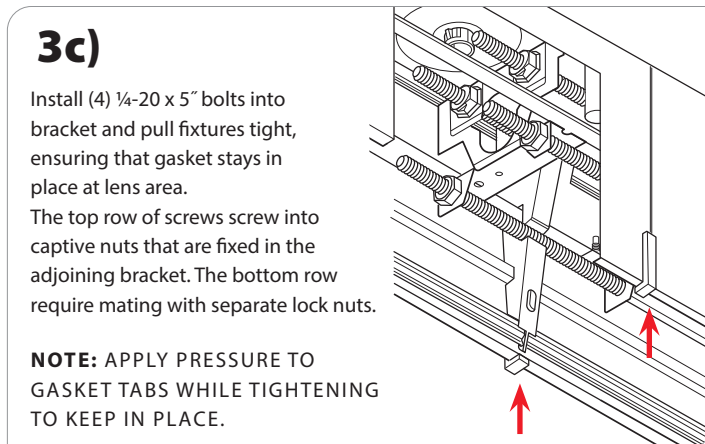
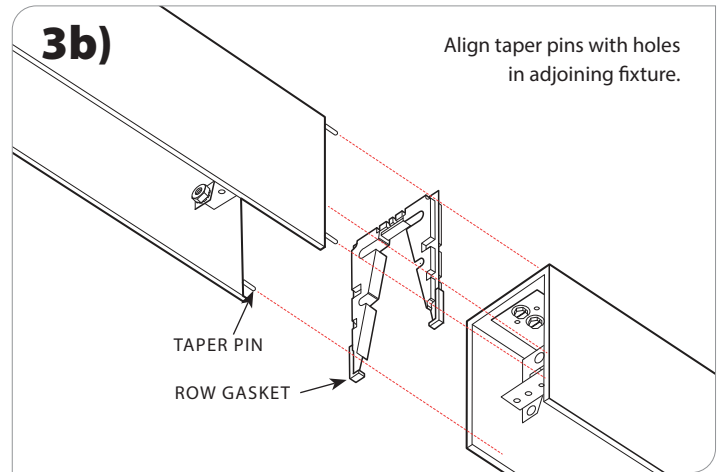
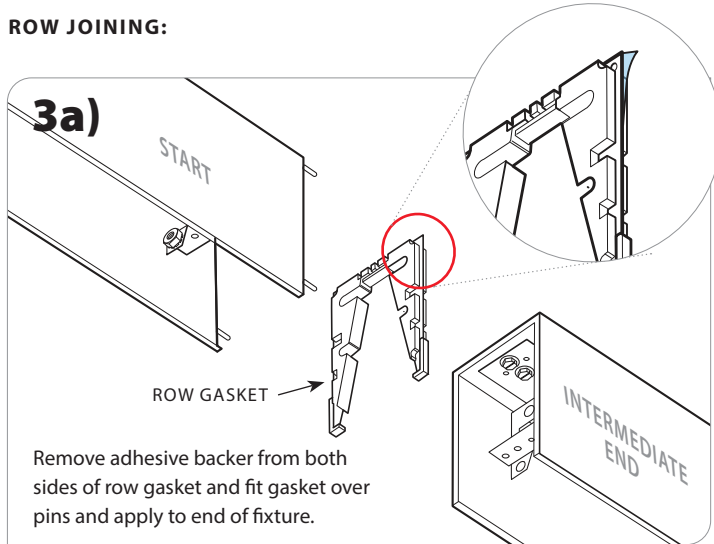


PRUDENTIAL LTG.

PRULITE.COM 213.746.0360

⚠ DO NOT BUILD ROWS ON FLOOR TO HOIST **👤👤 REQUIRES TWO PEOPLE TO INSTALL** **CORD SHIPPED INSTALLED**

ROW JOINING:



WARNING: Ground fixture in accordance with local and national electrical codes. Failure to do so may result in serious personal injury. Fixture Installations should ONLY be done by a qualified licensed electrical professional.

Wet BionicPro | Linear WMU/WMU1/WMU2 Surface+Wall — Brackets

INSTALLATION INSTRUCTIONS

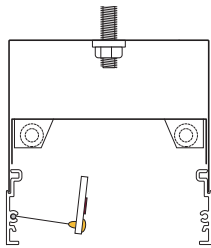


PRUDENTIAL LTG.

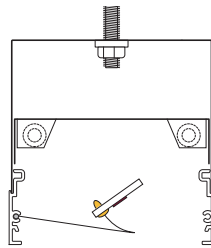
PRULITE.COM 213.746.0360

⚠ DO NOT BUILD ROWS ON FLOOR TO HOIST **👤 REQUIRES TWO PEOPLE TO INSTALL** **CORD SHIPPED INSTALLED**

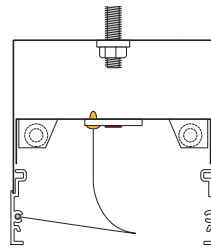
5b)



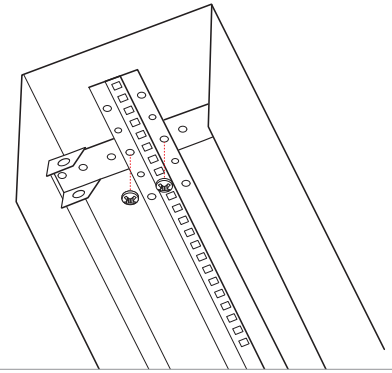
1. REMOVE LED ASSEMBLY



2. ROTATE LED ASSEMBLY



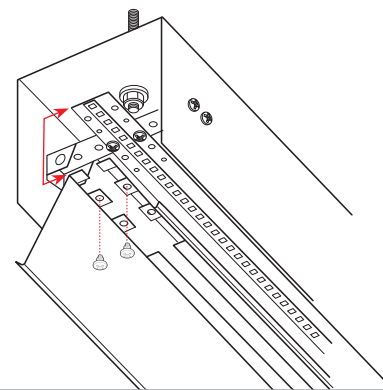
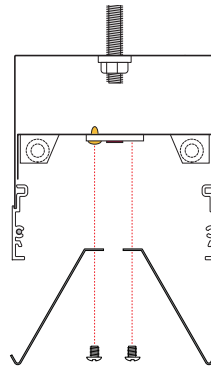
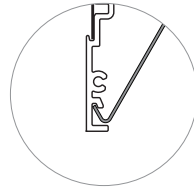
3. INSERT LED ASSEMBLY AGAINST STIFFENER



5b)

Install reflectors to fixture by attaching them to LED assembly using screws. Reflectors should be flush with end of LED assembly. Tuck wiring behind first installed reflector before installing the second.

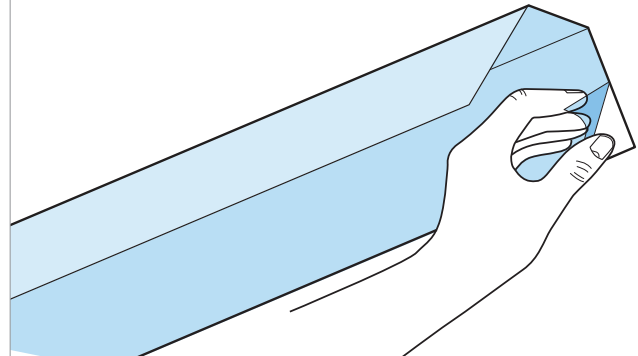
Reflectors should be flush with end of LED assembly.



6) Snap reflectors into place.



7) Peel blue protective covering off reflectors.



WARNING: Ground fixture in accordance with local and national electrical codes. Failure to do so may result in serious personal injury. Fixture Installations should ONLY be done by a qualified licensed electrical professional.

Wet BionicPro | Linear

WMU/WMU1/WMU2 Surface+Wall — Brackets

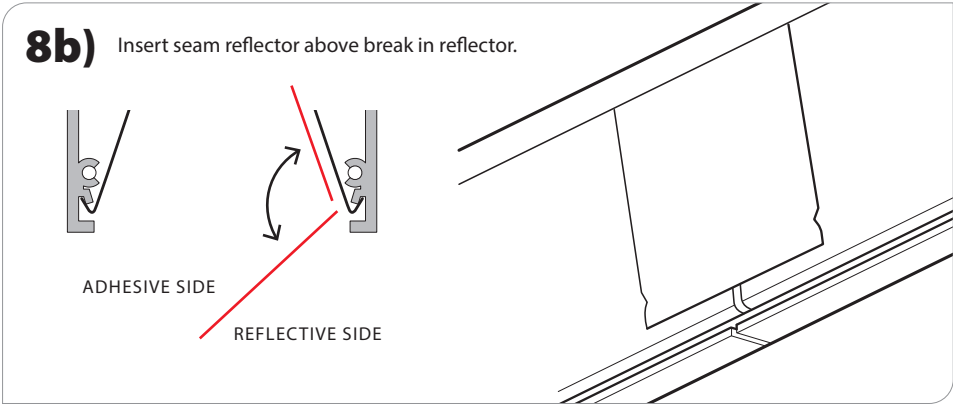
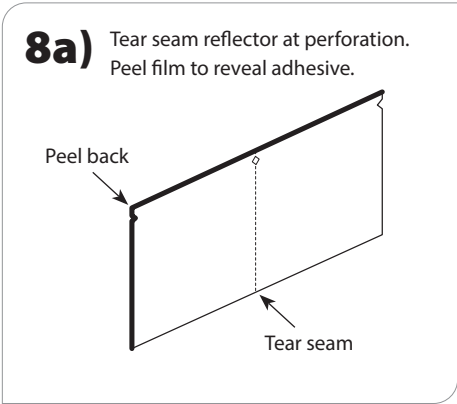
INSTALLATION INSTRUCTIONS



PRUDENTIAL LTG.

PRULITE.COM 213.746.0360

⚠ DO NOT BUILD ROWS ON FLOOR TO HOIST **👤👤 REQUIRES TWO PEOPLE TO INSTALL** **CORD SHIPPED INSTALLED**



WARNING: Ground fixture in accordance with local and national electrical codes. Failure to do so may result in serious personal injury
Fixture Installations should ONLY be done by a qualified licensed electrical professional..

US★ Prudential Ltg. reserves the right to change design specifications or materials without notice. Please visit prulite.com for most current data.
© 2026 All rights reserved—All products manufactured at: Prudential Ltg. 1774 E. 21st Street, Los Angeles, CA 90058

Wet BionicPro | Linear

WMU/WMU1/WMU2 Mullion Mounting - Brackets

INSTALLATION INSTRUCTIONS

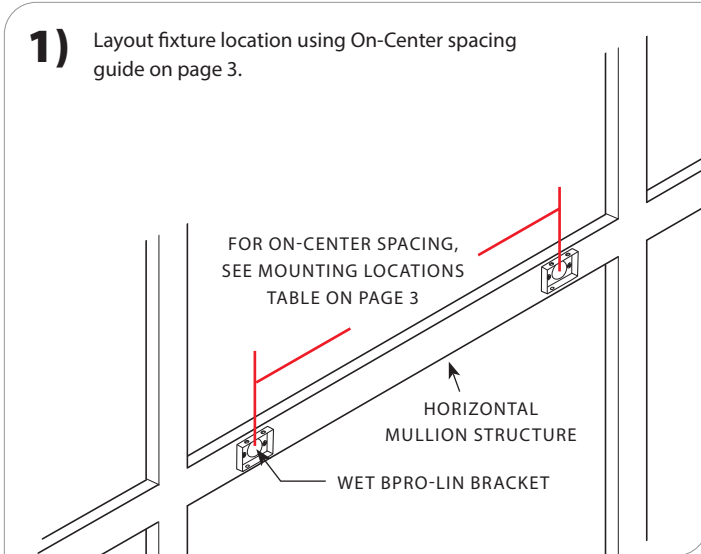


PRUDENTIAL LTG.

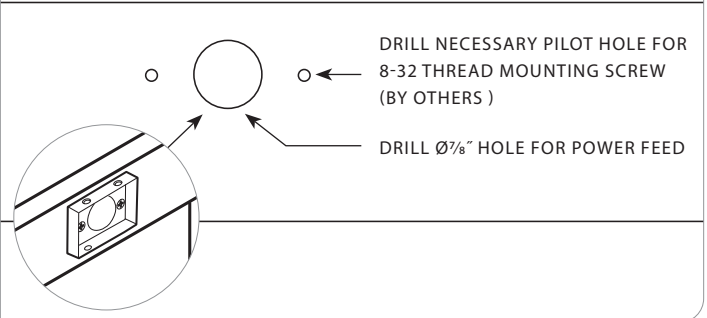
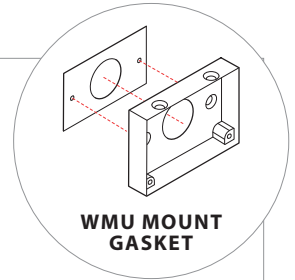
PRULITE.COM 213.746.0360

MOUNTING ON HORIZONTAL MULLIONS

- 1)** Layout fixture location using On-Center spacing guide on page 3.



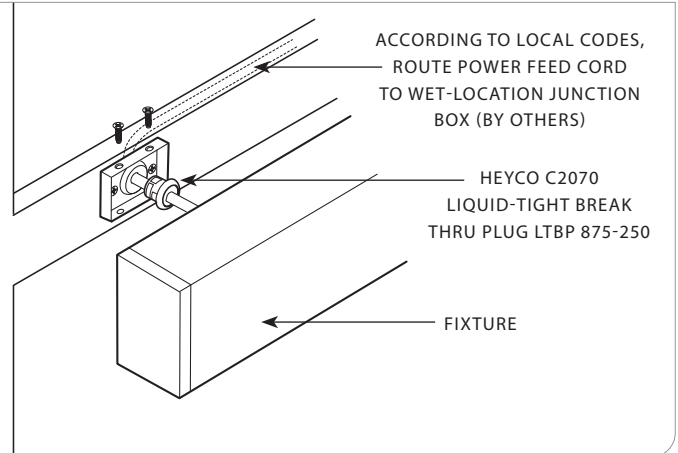
- 2)** Using Wet BPRO-LIN bracket holes as a template, mark and drill power feed hole and mounting holes. Apply WMU Mount gasket to back of bracket and attach brackets with screws (by others).



- 3)** According to local codes, route power feed cord through cord seal plug and to wet-location junction box (by others) and make wiring connections. Snap plug into bracket hole. Lift fixture to brackets and attach cleat screws at mounting points. Tighten fixture to brackets.

WIRING:

0-10V (+) : PURPLE	0-10V (-) : PINK
DALI (+) : PURPLE	DALI (-) : PINK
EcoSystem DALI (+) : PURPLE	EcoSystem DALI (-) : PINK
HOT : BLACK	
NEUTRAL : WHITE	
GROUND : GREEN	
CONSTANT HOT (EM) : RED	



WARNING: Ground fixture in accordance with local and national electrical codes. Failure to do so may result in serious personal injury. Fixture Installations should ONLY be done by a qualified licensed electrical professional.

Wet BionicPro | Linear WMU/WMU1/WMU2 Mullion Mounting - Brackets

INSTALLATION INSTRUCTIONS

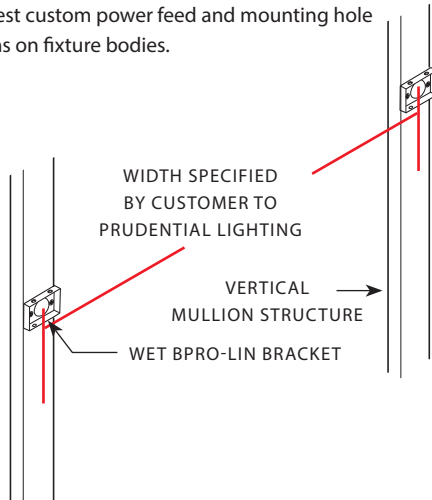


PRUDENTIAL LTG.

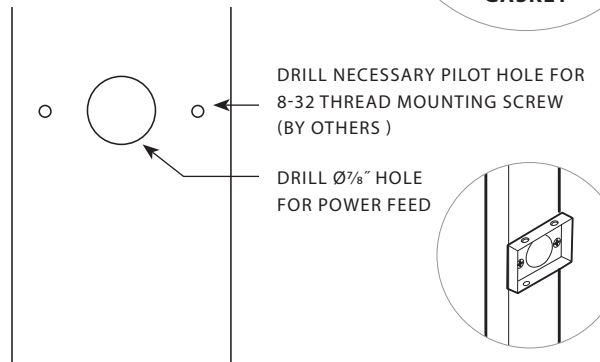
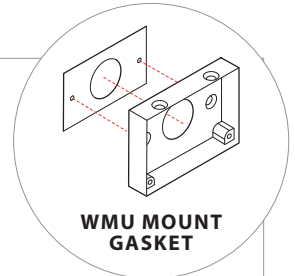
PRULITE.COM 213.746.0360

MOUNTING ON VERTICAL MULLIONS

- 1)** Specify mullion spacing to Prudential Lighting factory to request custom power feed and mounting hole locations on fixture bodies.



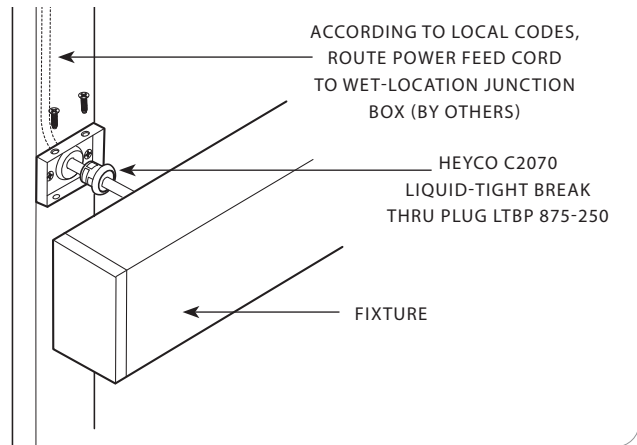
- 2)** Using bracket holes as a template, mark and drill Power Feed hole and mounting holes. Apply WMU Mount gasket to back of bracket and attach brackets with screws (by others).



- 3)** According to local codes, route power feed cord through cord seal plug and to wet-location junction box (by others) and make wiring connections. Snap plug into bracket hole. Lift fixture to brackets and attach cleat screws at mounting points. Tighten fixture to brackets.

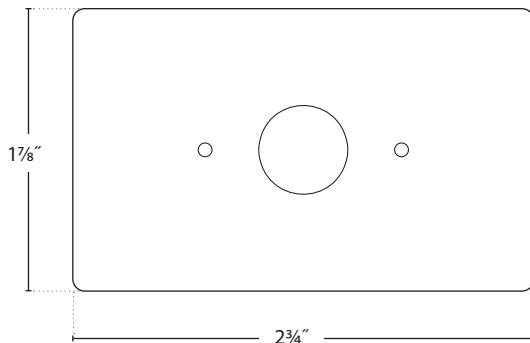
WIRING:

0-10V (+) : PURPLE	0-10V (-) : PINK
DALI (+) : PURPLE	DALI (-) : PINK
EcoSystem DALI (+) : PURPLE	EcoSystem DALI (-) : PINK
HOT : BLACK	
NEUTRAL : WHITE	
GROUND : GREEN	
CONSTANT HOT (EM) : RED	



BRACKET DIMENSIONS:

Minimum width and height for mullion mounting.



WARNING: Ground fixture in accordance with local and national electrical codes. Failure to do so may result in serious personal injury. Fixture Installations should ONLY be done by a qualified licensed electrical professional.

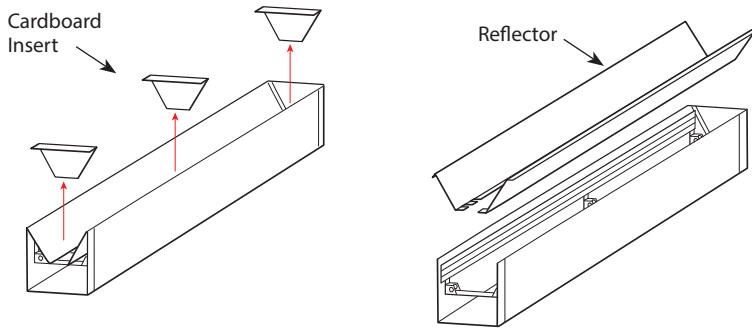
Wet BionicPro | Linear WMU/WMU1/WMU2 Mullion Mounting - Brackets

INSTALLATION INSTRUCTIONS

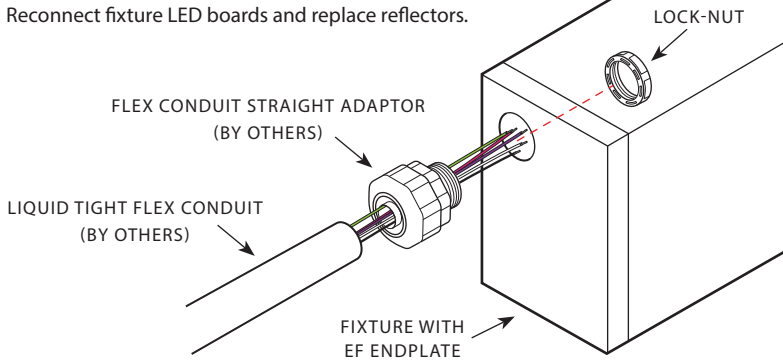


END FEED (EF) INSTALLTION

- 1)** Remove cardboard inserts and reflectors.
Leave LED assembly in place.

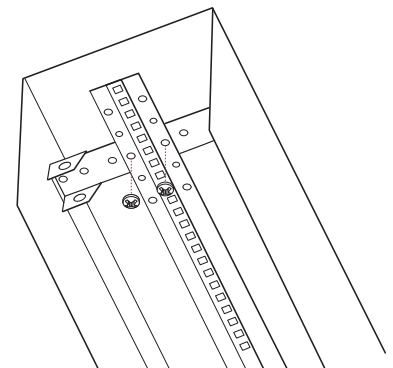


- 2a)** Fasten Liquid-tight flexible metal conduit adapter to opening in EF endplate, making a water-tight seal with the fitting. Insert flex conduit wires through adapter and fasten flex to fitting. Make wiring connections to fixture. Reconnect fixture LED boards and replace reflectors.



- 2b)** Route Liquid-tight flex conduit to wet-location electrical box (by others) and make wiring connections. Proceed to lens installation steps on page 12.

- 3a)**
-
- 1. REMOVE LED ASSEMBLY**
 - 2. ROTATE LED ASSEMBLY**
 - 3. INSERT LED ASSEMBLY AGAINST STIFFENER**



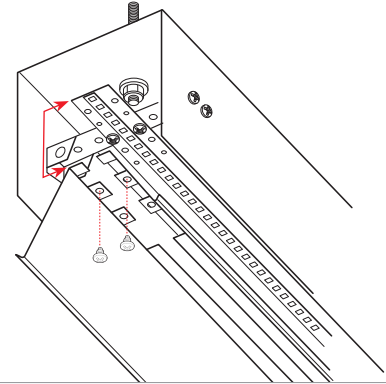
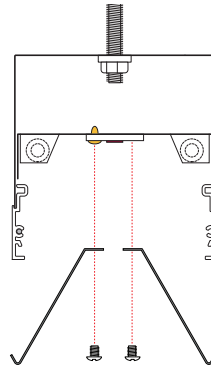
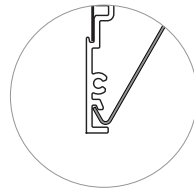
WARNING: Ground fixture in accordance with local and national electrical codes. Failure to do so may result in serious personal injury. Fixture Installations should ONLY be done by a qualified licensed electrical professional.



END FEED (EF) INSTALLTION

3b) Install reflectors to fixture by attaching them to LED assembly using screws. Reflectors should be flush with end of LED assembly. Tuck wiring behind first installed reflector before installing the second.

Reflectors should be flush with end of LED assembly.



4) Route Liquid-Tight flex conduit to wet-location electrical box (by others) and make wiring connections. Proceed to lens installation steps on page 18.

WIRING:

0-10V (+): PURPLE 0-10V (-): PINK

DALI (+): PURPLE DALI (-): PINK

EcoSystem DALI (+): PURPLE EcoSystem DALI (-): PINK

HOT : BLACK

NEUTRAL : WHITE

GROUND : GREEN

CONSTANT HOT (EM) : RED

WARNING: Ground fixture in accordance with local and national electrical codes. Failure to do so may result in serious personal injury. Fixture Installations should ONLY be done by a qualified licensed electrical professional.



INSTALLATION
VIDEO



PRUDENTIAL LTG.

PRULITE.COM 213.746.0360

LENS INSTALLATION

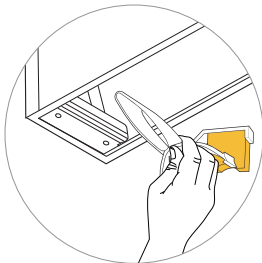
REQUIRES TWO PEOPLE TO INSTALL

⚠️ PRIOR TO INSTALLING LENS, ENERGIZE LEDS AND CONFIRM ALL ARE PROPERLY LIT BEFORE INSTALLING LENS

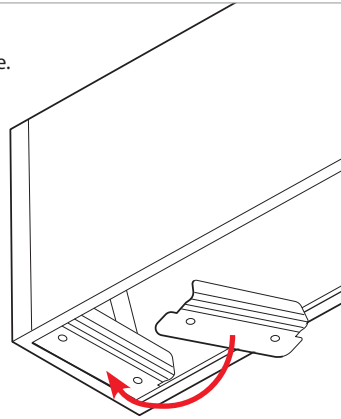
RECOMMENDED: Start lens installation from *LEFT* to *RIGHT*.



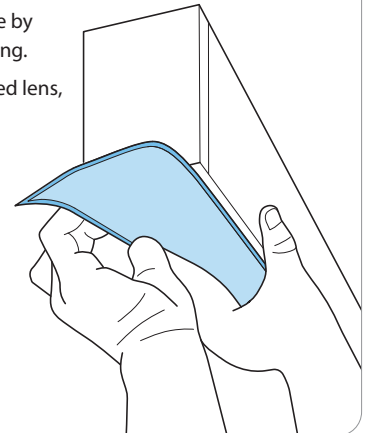
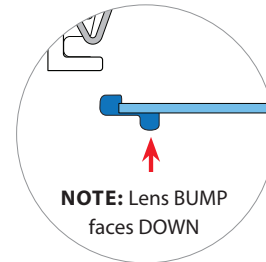
1) Insert clamp brackets at the **START** and **END** of the fixture.



Use handle of 'Lens Tool' to tap bracket into place



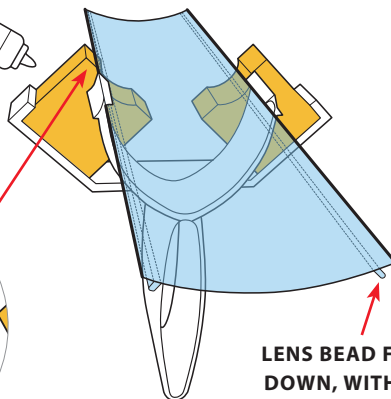
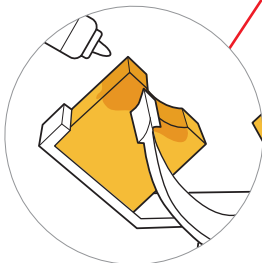
2) Insert lens into start of fixture by hand with an extra 3" overhang. Squeeze one edge of gasketed lens, then the other.



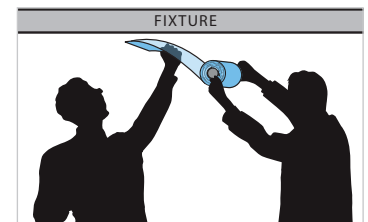
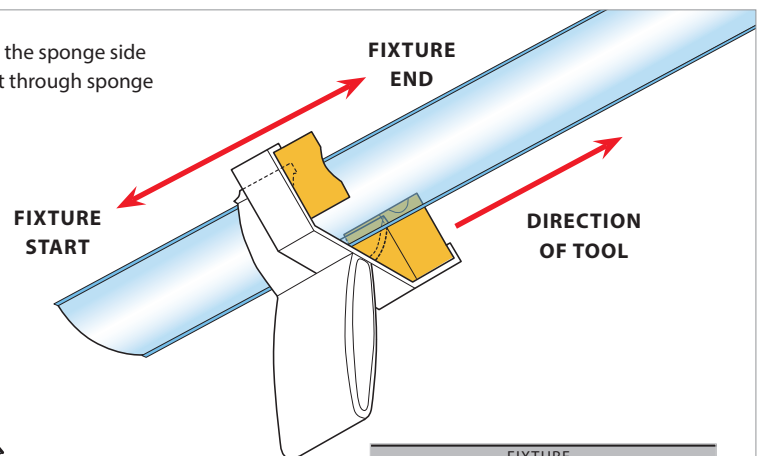
3) With lens partially inserted into fixture, snap lens into lens tool with the sponge side of tool facing the opposite end of fixture. Guide edges of lens gasket through sponge grooves. Apply lens lube liberally to sponge grooves on both sides.

Lens Lube

APPLY LENS LUBE TO SPONGE IN GROOVED AREAS



LENS BEAD FACING DOWN, WITH LENS BOWED OUT



WARNING: Ground fixture in accordance with local and national electrical codes. Failure to do so may result in serious personal injury. Fixture Installations should **ONLY** be done by a qualified licensed electrical professional.



Prudential Ltg. reserves the right to change design specifications or materials without notice. Please visit prulite.com for most current data. © 2026 All rights reserved—All products manufactured at: Prudential Ltg. 1774 E. 21st Street, Los Angeles, CA 90058

Wet BionicPro | Linear WMU/WMU1/WMU2 Surface+Wall — Brackets

INSTALLATION INSTRUCTIONS



INSTALLATION
VIDEO



PRUDENTIAL LTG.

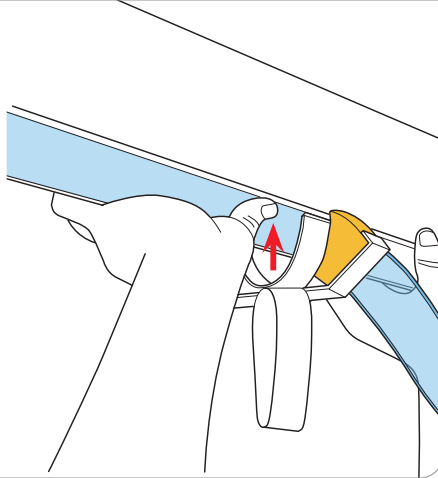
PRULITE.COM 213.746.0360

LENS INSTALLATION

REQUIRES TWO PEOPLE TO INSTALL

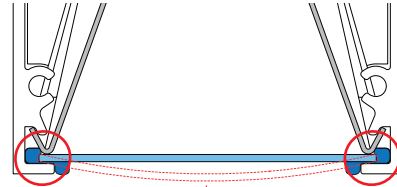
4a)

With lens inserted into tool, squeeze and push tool tabs into slots in fixture opening.



4b)

Apply pressure to the middle of the lens where it is bowed out. This will push the gasket into the lens slot. Ensure that the gasket is pressed firmly against the inside fixture lip.

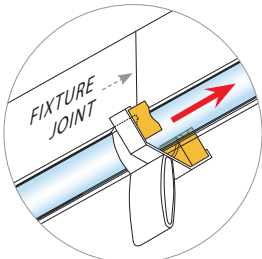


PUSH LENS FLAT WHERE IT IS BOWED OUT
GASKET BEAD MUST BE PRESSED UP
AGAINST INSIDE FIXTURE LIP

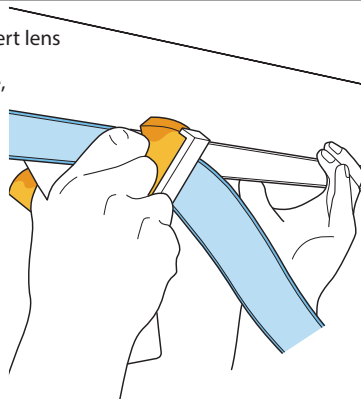
5)

Slide Lens Tool forward to insert lens

NOTE: Keep Lens Tool square,
DO NOT twist.



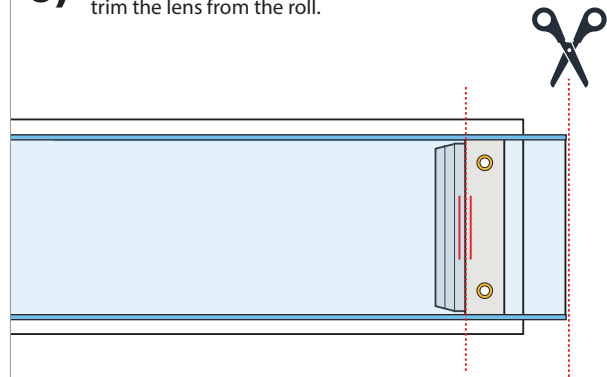
NOTE: Slow down
sliding at fixture joints.



REAPPLY LUBRICANT
TO SPONGES AS NEEDED.

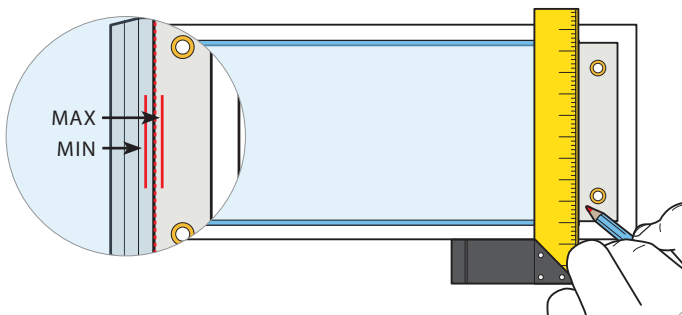
6)

Leaving an inch of lens at the END of the fixture,
trim the lens from the roll.



7) Using Square, mark side of fixture where to cut lens
within 1/8" safety zone Transfer **CUT LINE** to Lens,
using square draw **CUT LINE** across lens

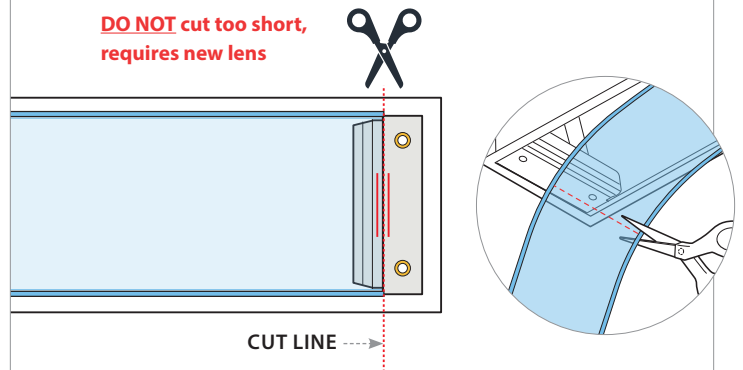
NOTE: Mark as close to end cap as possible (max line)



8)

CUT LENS: In order to not cut lens too short, it is easier to
make multiple cuts that are gradually closer to marked line.

DO NOT cut too short,
requires new lens



WARNING: Ground fixture in accordance with local and national electrical codes. Failure to do so may result in serious personal injury
Fixture Installations should **ONLY** be done by a qualified licensed electrical professional.



Prudential Ltg. reserves the right to change design specifications or materials without notice. Please visit prulite.com for most current data.
© 2026 All rights reserved—All products manufactured at: Prudential Ltg. 1774 E. 21st Street, Los Angeles, CA 90058

18 of 21

03-10-2026



INSTALLATION
VIDEO



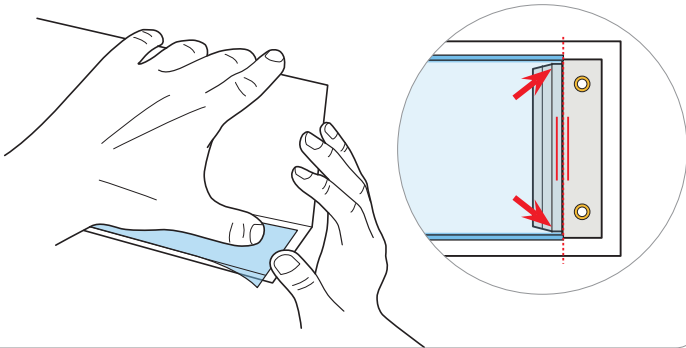
PRUDENTIAL LTG.

PRULITE.COM 213.746.0360

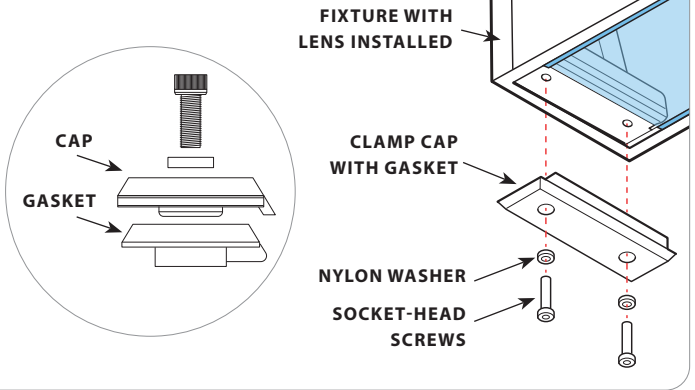
LENS INSTALLATION

REQUIRES TWO PEOPLE TO INSTALL

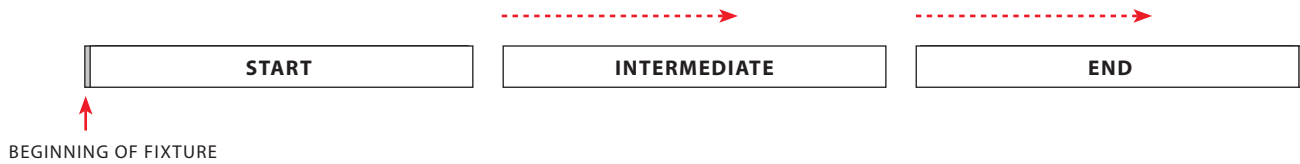
- 9)** As you near the end of the fixture, remove lens tool and install remaining lens by hand. Tuck the end sections of gasket between the bracket and the inside of the lens opening.



- 10)** Install Clamp cap with gasket using $\frac{7}{64}$ " HEX socket. Hand tighten screws.



- 10)** Repeat lens trimming and clamp cap installation at beginning of fixture.



WARNING: Ground fixture in accordance with local and national electrical codes. Failure to do so may result in serious personal injury. Fixture Installations should ONLY be done by a qualified licensed electrical professional.

Wet BionicPro | Linear WMU/WMU1/WMU2 Surface+Wall — Brackets

INSTALLATION INSTRUCTIONS



PRUDENTIAL LTG.

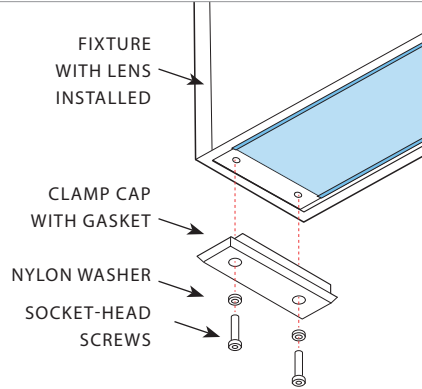
PRULITE.COM 213.746.0360

LENS REMOVAL

REQUIRES TWO PEOPLE TO INSTALL

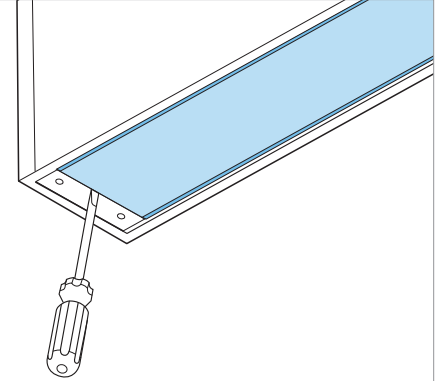
1)

Use a $\frac{7}{64}$ " hex wrench to remove socket head screws to release Clamp Caps from both ends of fixture.



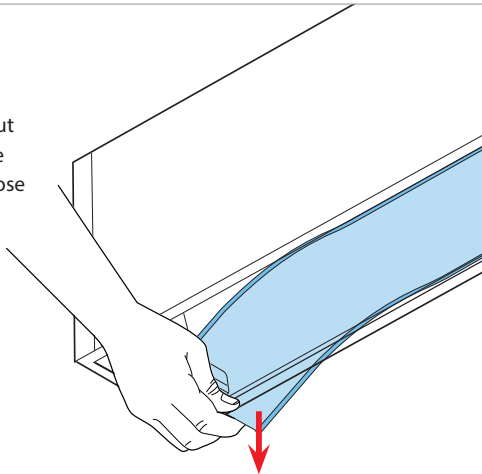
2)

Pry the lens loose at the end with a small slotted screwdriver just enough to make some space between the lens and the bracket.



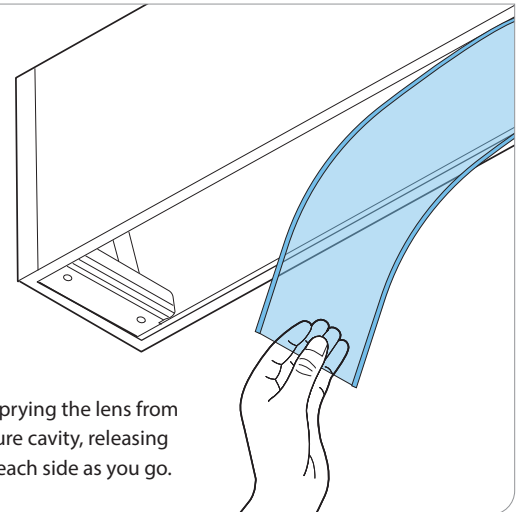
3)

Use your fingers to gently pry the lens out from the center while pulling the gasket loose from the lens slot.



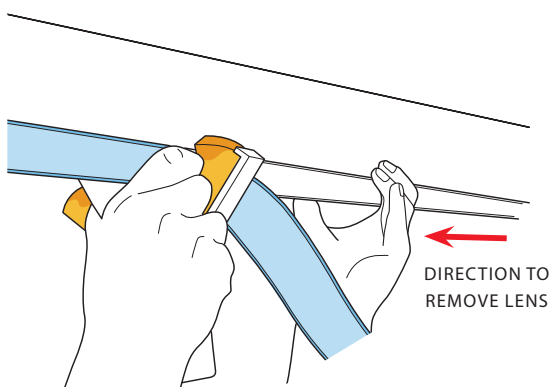
4)

Continue slowly prying the lens from inside of the fixture cavity, releasing the gasket from each side as you go.



5)

Feed lens into lubricated tool and slowly reverse direction of install, pulling lens out as you go.



WARNING: Ground fixture in accordance with local and national electrical codes. Failure to do so may result in serious personal injury. Fixture Installations should ONLY be done by a qualified licensed electrical professional.

Wet BionicPro | Linear

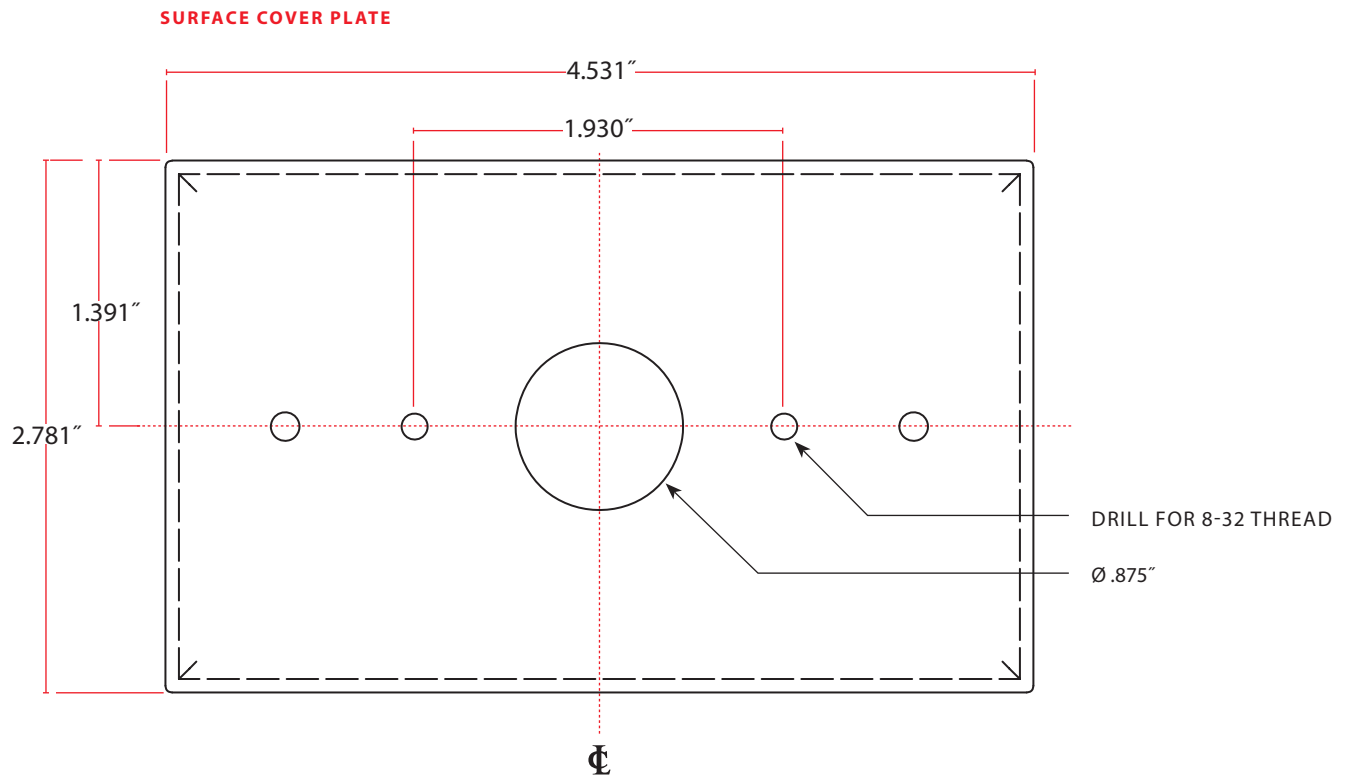
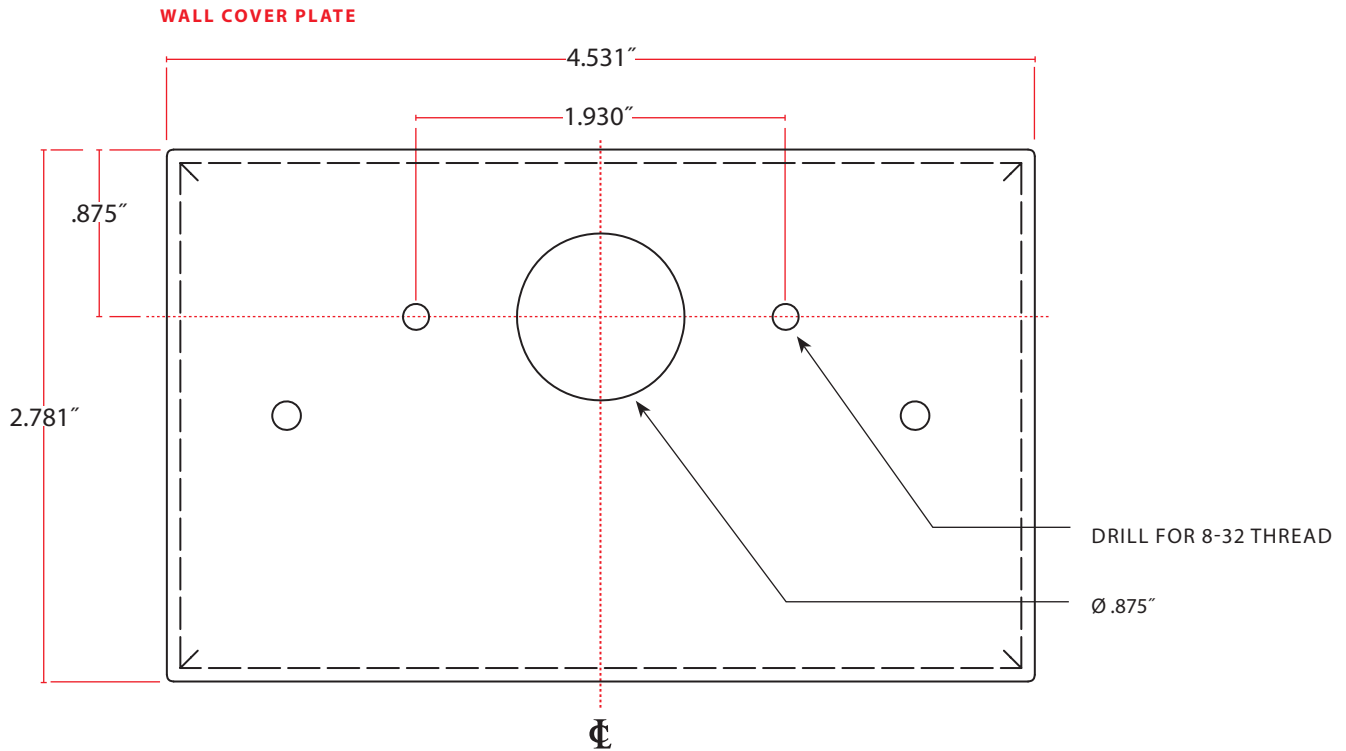
WMU/WMU1/WMU2 — Cover Plate Templates

INSTALLATION INSTRUCTIONS



PRUDENTIAL LTG.

PRULITE.COM 213.746.0360



WARNING: Ground fixture in accordance with local and national electrical codes. Failure to do so may result in serious personal injury. Fixture Installations should ONLY be done by a qualified licensed electrical professional.