

Wet BionicPro | Linear

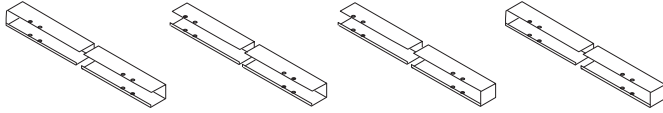
Surface/Wall — WMC2 2" Continuous Channel



PRUDENTIAL LTG.

PRULITE.COM 213.746.0360

WET BPRO-LIN CHANNEL-WMC2



LENGTH	START	INTERMEDIATE	END	INDIVIDUAL
SURFACE:				
8'	173612	173696	173640	173668
7'	173613	173697	173641	173669
6'	173614	173698	173642	173670
5'	173615	173699	173643	173671
4'	173616	173700	173644	173672
3'	173617	173701	173645	173673
2'	173618	173702	173646	173674
WALL:				
8'	173605	173689	173633	173661
7'	173606	173690	173634	173662
6'	173607	173691	173635	173663
5'	173608	173692	173636	173664
4'	173609	173693	173637	173665
3'	173610	173694	173638	173666
2'	173611	173695	173639	173667

PART	PART NO.	DESCRIPTION
------	----------	-------------

LENS CLAMP KIT:

	170524	Lens Cap Bracket
	100-00254-03	Endplate Clamp Cap
	100-00154-17	Molded Clamp Gasket
	100-00422-14	Socket Head Cap Screw 6-32 x 3/8"
	100-00423-14	Black Nylon Flat Washer .140ID x 312OD
	100-00157-17	WMU Mount Gasket
	176379	WMC2 Mullion Bracket Mount

WET BPRO3 LENSES

PARTS LIST	LENGTH	PART NO.								
LENSES:		SAL	BTW	WWF	WWG	PFL	NGZ	MGZ	WGZ	
	8'	173834	173826	173842	173850	173858	173866	173874	173882	
	7'	173835	173827	173843	173851	173859	173867	173875	173883	
	6'	173836	173828	173844	173852	173860	173868	173876	173884	
	5'	173837	173829	173845	173853	173861	173869	173877	173885	
	4'	173838	173830	173846	173854	173862	173870	173878	173886	
	3'	173839	173831	173847	173855	173863	173871	173879	173887	
	2'	173840	173832	173848	173856	173864	173872	173880	173888	
	ROLL	100-00501-10	163441	163442	163443	163444	163445	163446	163447	

	100-00283-14	1/4-20 x 5.0 Round Head Combination Drive Machine Screw
	100-00255-14	1/4-20 Hex Nut
	100-00483-10	Endplate Reflector
	100-00486-10	Seam Reflector
	100-00464-10	BionicPro3 Lens Tool
	100-00014-25	Lens Lube
	100-00012-14	1/4-20 Speed Nut
	100-00424-14	8-32 x 5/8" Flat Head Phillips Screw

ROW MOUNTING GASKET:

	100-00397-17	Joiner Gasket — BLACK
	100-00435-17	Joiner Gasket — WHITE

PARTS SHIPPED INSTALLED:

	100-00376-14	Heyco 1065 Liquid-tight Cord Seal BLACK - LTBSR 875-094-440
	100-00432-14	Heyco C2070 liquid-tight Break-thru Plug BLACK LTBP 875-250
	100-00433-14	Heyco 3486VB LTSV 875 Vent Plug
	100-00621-09	Conduit Assembly 6' 0.5" NPT
	177778	Wet BPRO Channel Joiner Aligner



Wet BionicPro | Linear

Surface/Wall — WMC2 2" Continuous Channel

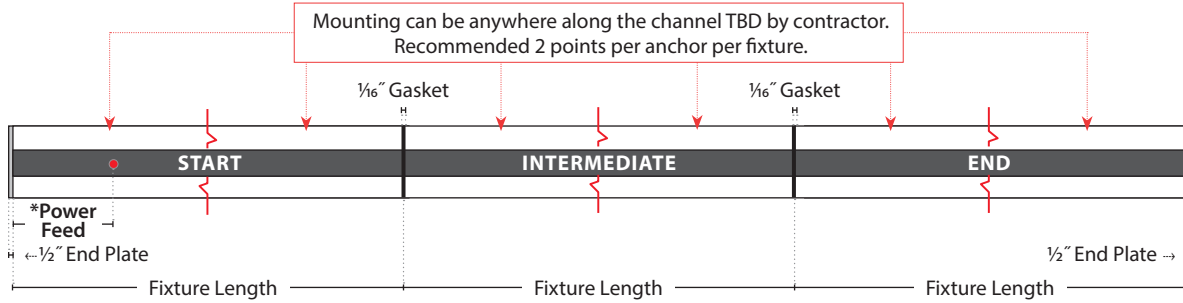
INSTALLATION INSTRUCTIONS



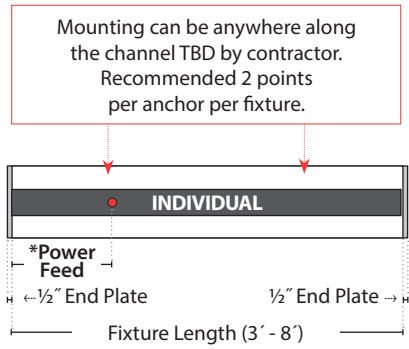
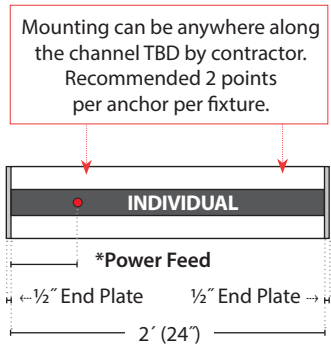
WMC2 (CHANNELS): SURFACE/WALL — MOUNTING

NOTE: 2' ROW FIXTURES NOT AVAILABLE

● POWER FEED



INDIVIDUAL (2')



WMC2 — SURFACE

	FIXTURE LENGTHS	
	*Power Feed	All
2'	4"	24"
3'	6"	36"
4'	6"	48"
5'	6"	60"
6'	36"	72"
7'	42"	84"
8'	48"	96"

WMC2 — WALL

	FIXTURE LENGTHS	
	*Power Feed	All
2'	4"	24"
3'	10"	36"
4'	10"	48"
5'	10"	60"
6'	36"	72"
7'	42"	84"
8'	48"	96"

WARNING: Ground fixture in accordance with local and national electrical codes. Failure to do so may result in serious personal injury. Fixture Installations should ONLY be done by a qualified licensed electrical professional.

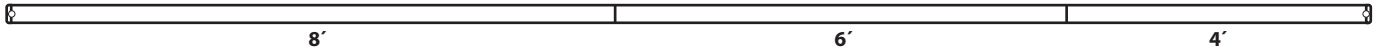
Wet BionicPro | Linear

Surface/Wall — WMC2 2" Continuous Channel

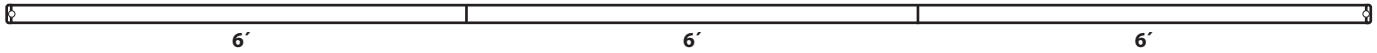


ROW BUILDER

18' STANDARD ROW LENGTH:



18' SYMMETRIC ROW LENGTH (SRL):



STANDARD

ROW LENGTH			TOTAL LENGTH WITH ENDCAPS AND ROW JOINER GASKET (INCHES)
9'	5+4	5FT STR + 4FT END	109.06
10'	6+4	6FT STR + 4FT END	121.06
11'	7+4	7FT STR + 4FT END	133.06
12'	8+4	8FT STR + 4FT END	145.06
13'	8+5	8FT STR + 5FT END	157.06
14'	8+6	8FT STR + 6FT END	169.06
15'	8+7	8FT STR + 7FT END	181.06
16'	8+8	8FT STR + 8FT END	193.13
17'	8+5+4	8FT STR + 5FT INT + 4FT END	205.13
18'	8+6+4	8FT STR + 6FT INT + 4FT END	217.13
19'	8+7+4	8FT STR + 7FT INT + 4FT END	229.13
20'	8+8+4	8FT STR + 8FT INT + 4FT END	241.13
21'	8+8+5	8FT STR + 8FT INT + 5FT END	253.13
22'	8+8+6	8FT STR + 8FT INT + 6FT END	265.13
23'	8+8+7	8FT STR + 8FT INT + 7FT END	277.13
24'	8+8+8	8FT STR + 8FT INT + 8FT END	289.13
25'	8+8+5+4	8FT STR + 8FT INT + 5FT INT + 4FT END	301.19
26'	8+8+6+4	8FT STR + 8FT INT + 6FT INT + 4FT END	313.19
27'	8+8+7+4	8FT STR + 8FT INT + 7FT INT + 4FT END	325.19
28'	8+8+8+4	8FT STR + (2) 8FT INT + 4FT END	337.19
29'	8+8+8+5	8FT STR + (2) 8FT INT + 5FT END	349.19
30'	8+8+8+6	8FT STR + (2) 8FT INT + 6FT END	361.19
31'	8+8+8+7	8FT STR + (2) 8FT INT + 7FT END	373.19
32'	8+8+8+8	8FT STR + (2) 8FT INT + 8FT END	385.19
33'	8+8+8+5+4	8FT STR + (2) 8FT INT + 5FT INT + 4FT END	397.25
34'	8+8+8+6+4	8FT STR + (2) 8FT INT + 6FT INT + 4FT END	409.25
35'	8+8+8+7+4	8FT STR + (2) 8FT INT + 7FT INT + 4FT END	421.25
36'	8+8+8+8+4	8FT STR + (3) 8FT INT + 4FT END	433.25
37'	8+8+8+8+5	8FT STR + (3) 8FT INT + 5FT END	445.25
38'	8+8+8+8+6	8FT STR + (3) 8FT INT + 6FT END	457.25
39'	8+8+8+8+7	8FT STR + (3) 8FT INT + 7FT END	469.25
40'	8+8+8+8+8	8FT STR + (3) 8FT INT + 8FT END	481.25
41'	8+8+8+8+5+4	8FT STR + (3) 8FT INT + 5FT INT + 4FT END	493.31
42'	8+8+8+8+6+4	8FT STR + (3) 8FT INT + 6FT INT + 4FT END	505.31
43'	8+8+8+8+7+4	8FT STR + (3) 8FT INT + 7FT INT + 4FT END	517.31
44'	8+8+8+8+8+4	8FT STR + (4) 8FT INT + 4FT END	529.31
45'	8+8+8+8+8+5	8FT STR + (4) 8FT INT + 5FT END	541.31
46'	8+8+8+8+8+6	8FT STR + (4) 8FT INT + 6FT END	553.31
47'	8+8+8+8+8+7	8FT STR + (4) 8FT INT + 7FT END	565.31
48'	8+8+8+8+8+8	8FT STR + (4) 8FT INT + 8FT END	577.31
49'	8+8+8+8+8+5+4	8FT STR + (4) 8FT INT + 5FT INT + 4FT END	589.38
50'	8+8+8+8+8+6+4	8FT STR + (4) 8FT INT + 6FT INT + 4FT END	601.38

Wet BionicPro | Linear

Surface/Wall — WMC2 2" Continuous Channel

INSTALLATION INSTRUCTIONS



SYMMETRICAL

ROW LENGTH			TOTAL LENGTH WITH ENDCAPS AND ROW JOINER GASKET (INCHES)
9'	3+3+3	3FT STR + 3FT INT + 3FT END	109.13
10'	5+5	5FT STR + 5FT END	121.06
11'	4+3+4	4FT STR + 3FT INT + 4FT END	133.13
12'	6+6	6FT STR + 6FT END	145.06
13'	4+5+4	4FT STR + 5FT INT + 4FT END	157.13
14'	7+7	7FT STR + 7FT END	169.06
15'	5+5+5	5FT STR + 5FT INT + 5FT END	181.13
16'	8+8	8FT STR + 8FT END	193.06
17'	6+5+6	6FT STR + 5FT INT + 6FT END	205.13
18'	6+6+6	6FT STR + 6FT INT + 6FT END	217.13
19'	6+7+6	6FT STR + 7FT INT + 6FT END	229.13
20'	8+4+8	8FT STR + 4FT INT + 8FT END	241.13
21'	8+5+8	8FT STR + 5FT INT + 8FT END	253.13
22'	8+6+8	8FT STR + 6FT INT + 8FT END	265.13
23'	8+7+8	8FT STR + 7FT INT + 8FT END	277.13
24'	8+8+8	8FT STR + 8FT INT + 8FT END	289.13
25'	6+4+5+4+6	6FT STR + 4FT INT + 5FT INT + 4FT INT + 6FT END	301.25
26'	8+5+5+8	8FT STR + (2) 5FT INT + 8FT END	313.19
27'	6+5+5+5+6	6FT STR + (3) 5FT INT + 6FT END	325.25
28'	8+6+6+8	8FT STR + (2) 6FT INT + 8FT END	337.19
29'	8+4+5+4+8	8FT STR + 4FT INT + 5FT INT + 4FT INT + 8FT END	349.25
30'	8+7+7+8	8FT STR + (2) 7FT INT + 8FT END	361.19
31'	8+5+5+5+8	8FT STR + (3) 5FT INT + 8FT END	373.25
32'	8+8+8+8	8FT STR + (2) 8FT INT + 8FT END	385.19
33'	8+6+5+6+8	8FT STR + 6FT INT + 5FT INT + 6FT INT + 8FT END	397.25
34'	8+6+6+6+8	8FT STR + 6FT INT + 6FT INT + 6FT INT + 8FT END	409.25
35'	8+6+7+6+8	8FT STR + 6FT INT + 7FT INT + 6FT INT + 8FT END	421.25
36'	8+8+4+8+8	8FT STR + 8FT INT + 4FT INT + 8FT INT + 8FT END	433.25
37'	8+8+5+8+8	8FT STR + 8FT INT + 5FT INT + 8FT INT + 8FT END	445.25
38'	8+8+6+8+8	8FT STR + 8FT INT + 6FT INT + 8FT INT + 8FT END	457.25
39'	8+8+7+8+8	8FT STR + 8FT INT + 7FT INT + 8FT INT + 8FT END	469.25
40'	8+8+8+8+8	8FT STR + (3) 8FT INT + 8FT END	481.25
41'	8+6+4+5+4+6+8	8FT STR + 6FT INT + 4FT INT + 5FT INT + 4FT INT + 6FT INT + 8FT END	493.38
42'	8+8+5+5+8+8	8FT STR + 8FT INT + (2) 5FT INT + 8FT INT + 8FT END	505.31
43'	8+6+5+5+5+6+8	8FT STR + 6FT INT + (3) 5FT INT + 6FT INT + 8FT END	517.38
44'	8+8+6+6+8+8	8FT STR + 8FT INT + (2) 6FT INT + 8FT INT + 8FT END	529.31
45'	8+8+4+5+4+8+8	8FT STR + 8FT INT + 4FT INT + 5FT INT + 4FT INT + 8FT INT + 8FT END	541.38
46'	8+8+7+7+8+8	8FT STR + 8FT INT + (2) 7FT INT + 8FT INT + 8FT END	553.31
47'	8+8+5+5+5+8+8	8FT STR + 8FT INT + (3) 5FT INT + 8FT INT + 8FT END	565.38
48	8+8+8+8+8+8	8FT STR + (4) 8FT INT + 8FT END	577.31
49'	8+8+6+5+6+8+8	8FT STR + 8FT INT + 6FT INT + 5FT INT + 6FT INT + 8FT INT + 8FT END	589.38
50'	8+8+6+6+6+8+8	8FT STR + 8FT INT + (3) 6FT INT + 8FT INT + 8FT END	601.38

WARNING: Ground fixture in accordance with local and national electrical codes. Failure to do so may result in serious personal injury. Fixture Installations should ONLY be done by a qualified licensed electrical professional.

Wet BionicPro | Linear

Surface/Wall — WMC2 2" Continuous Channel

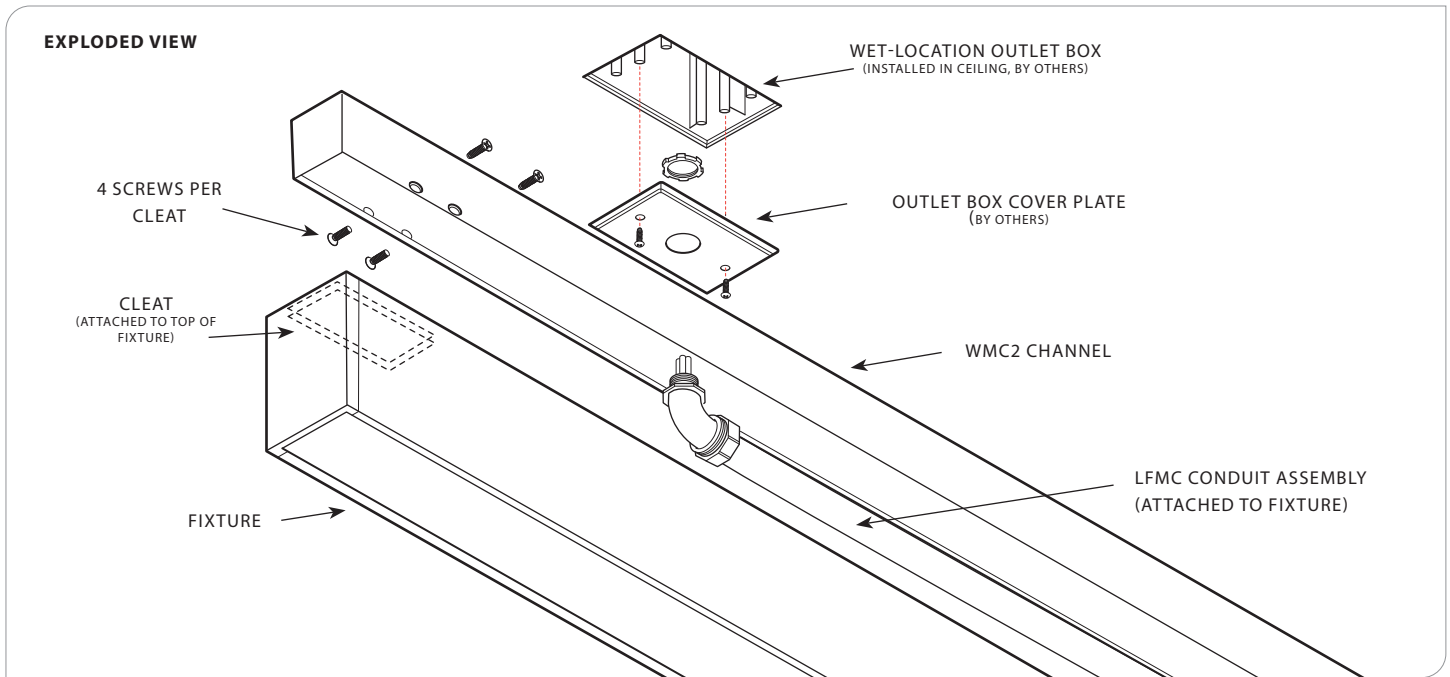
INSTALLATION INSTRUCTIONS



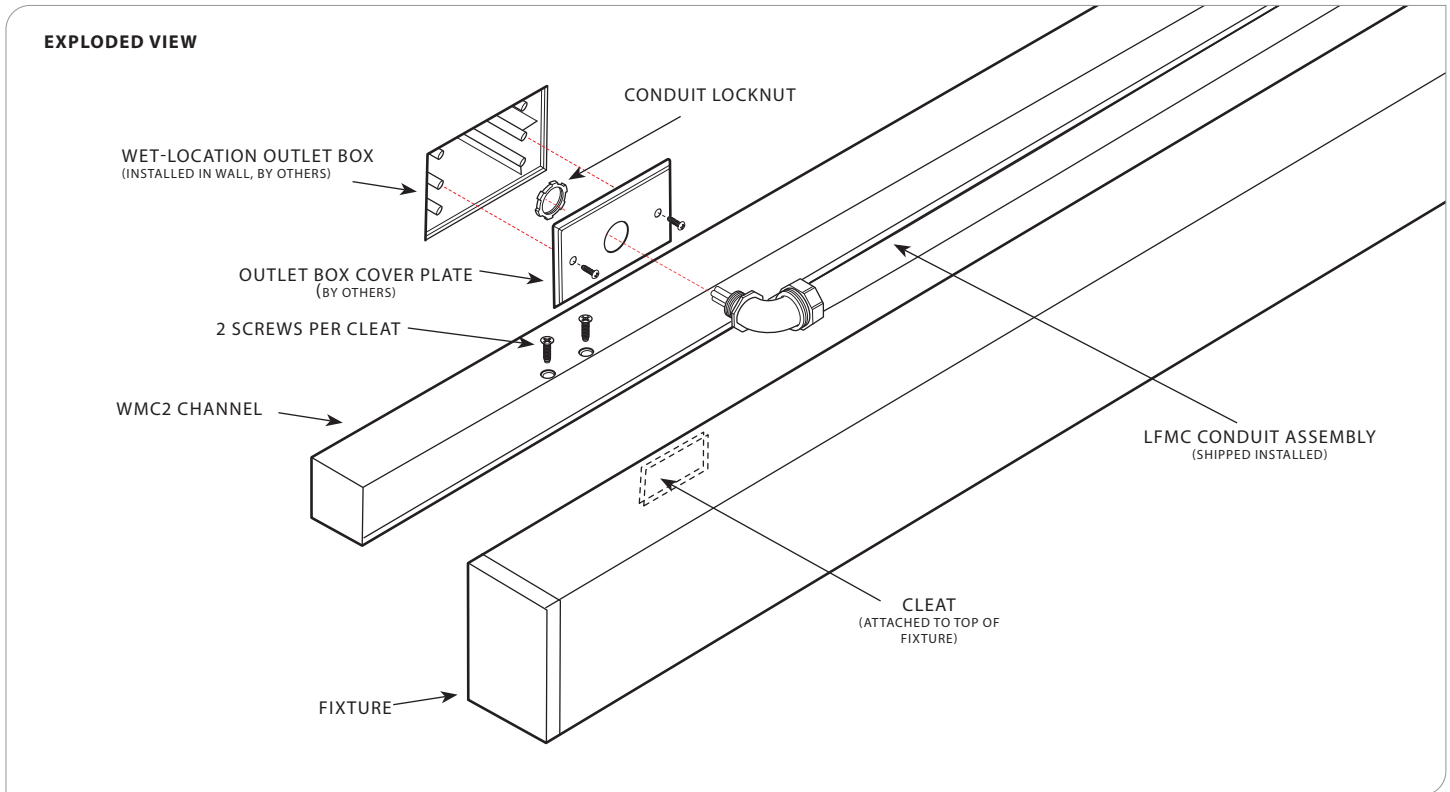
PRUDENTIAL LTG.

PRULITE.COM 213.746.0360

SURFACE MOUNT



WALL MOUNT



WARNING: Ground fixture in accordance with local and national electrical codes. Failure to do so may result in serious personal injury. Fixture installations should ONLY be done by a qualified licensed electrical professional.

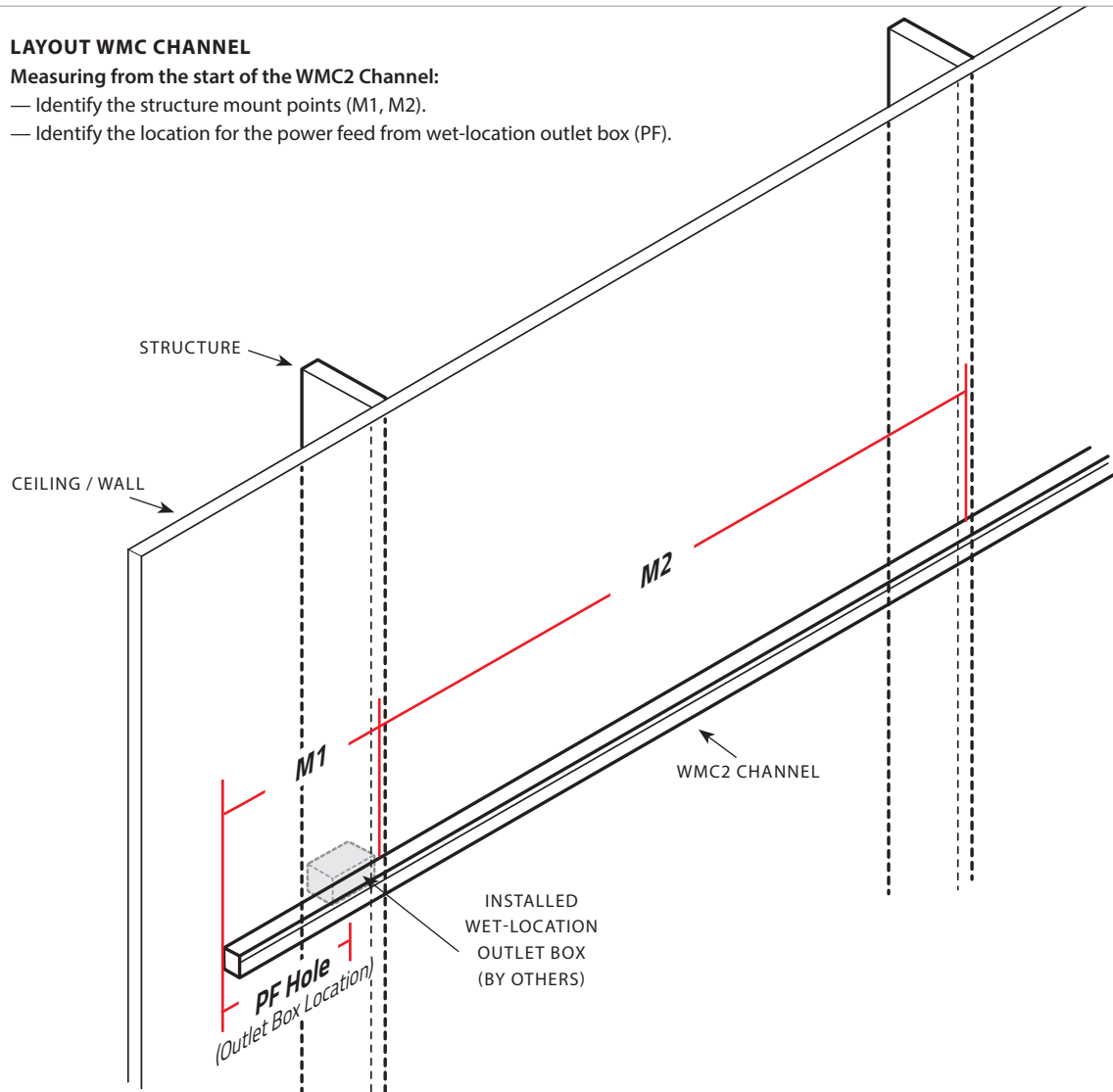


INDIVIDUAL / START POWER FEED FIXTURE INSTALL

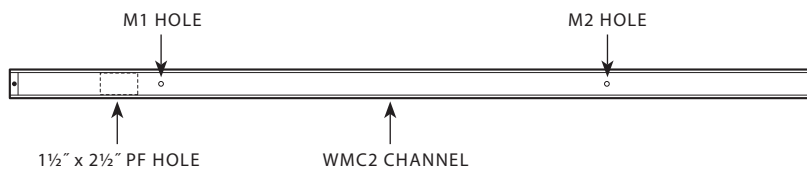
1) LAYOUT WMC CHANNEL

Measuring from the start of the WMC2 Channel:

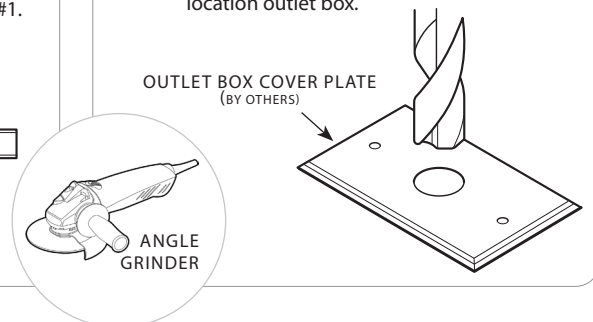
- Identify the structure mount points (M1, M2).
- Identify the location for the power feed from wet-location outlet box (PF).



- #### 2)
- Drill the M1/M2 holes at the identified locations from step #1. The hole size is dependent on the mounting hardware (by others).
 - Cut a 1½" x 2½" PF hole in the WMC2 channel at the identified location from Step #1.



- #### 3)
- Drill a Ø 0.875" hole in the cover plate from the pre-installed and flush mounted wet-location outlet box.



WARNING: Ground fixture in accordance with local and national electrical codes. Failure to do so may result in serious personal injury. Fixture Installations should ONLY be done by a qualified licensed electrical professional.

Wet BionicPro | Linear Surface/Wall — WMC2 2" Continuous Channel

INSTALLATION INSTRUCTIONS



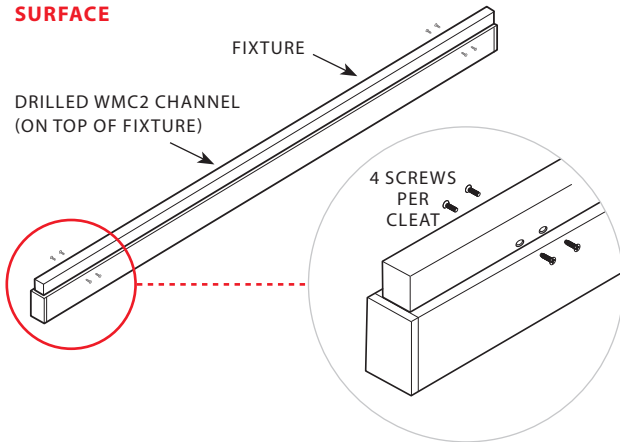
PRUDENTIAL LTG.

PRULITE.COM 213.746.0360

4a) On the ground, loosely attach the WMC2 channel and cut power feed hole and mounting holes to fixture, with 8-32 screws loosely attached into each of the two cleats. Surface fixtures will use four screws per cleat. Wall fixtures will use two screws per cleat.

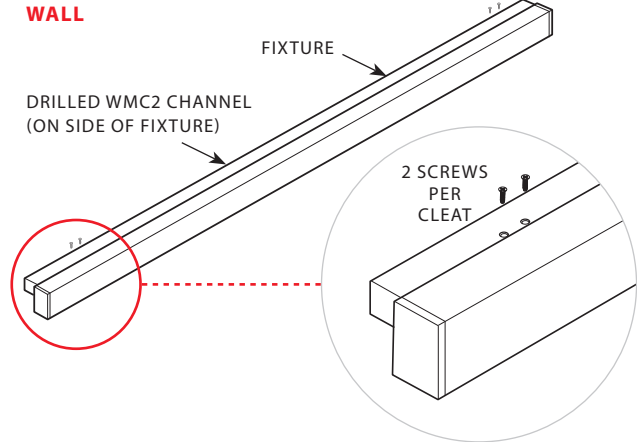
SURFACE

DRILLED WMC2 CHANNEL
(ON TOP OF FIXTURE)

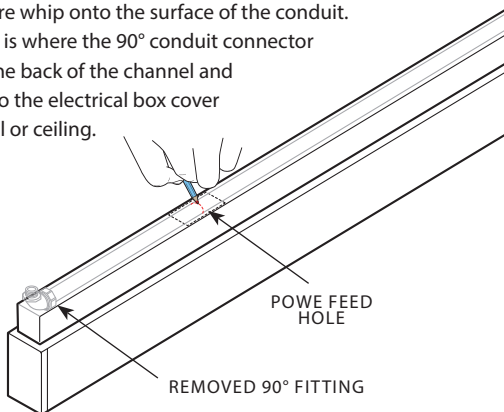


WALL

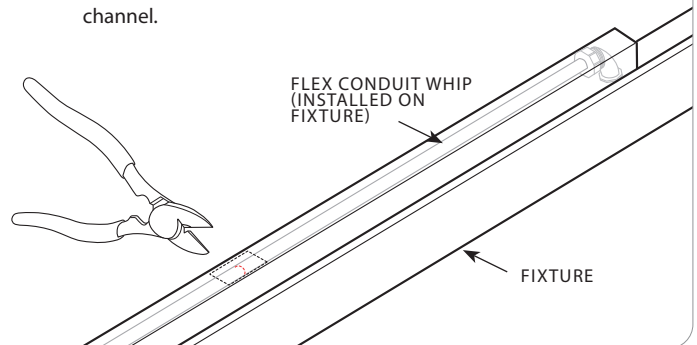
DRILLED WMC2 CHANNEL
(ON SIDE OF FIXTURE)



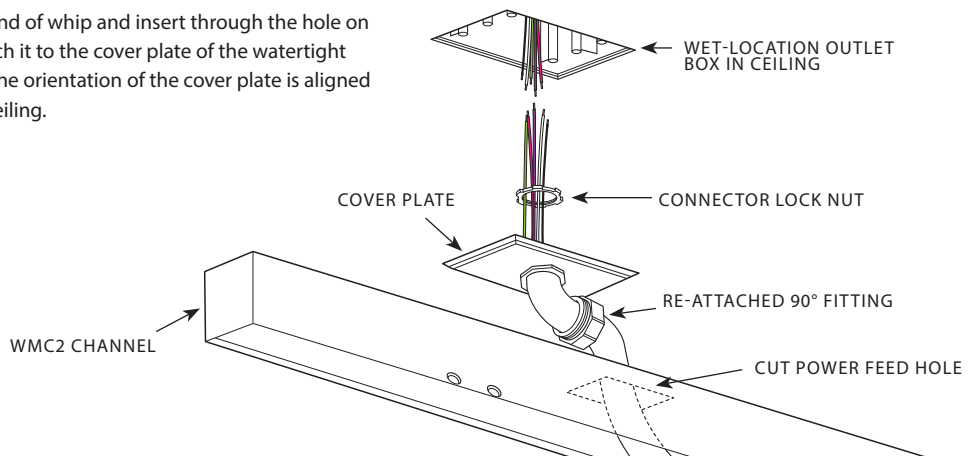
4b) Through the power feed hole, mark the required length for the wire whip onto the surface of the conduit. This mark is where the 90° conduit connector will exit the back of the channel and connect to the electrical box cover in the wall or ceiling.



5) Remove the WMC2 channel from the fixture and cut the whip to length, being careful to leave enough excess wire length to make wiring connections while being sure that that the reattached 90° connector lines up with the hole in the WMC2 channel.



6) Re-attach 90° fitting to cut end of whip and insert through the hole on the WMC2 channel and attach it to the cover plate of the watertight electrical box, making sure the orientation of the cover plate is aligned with the box in the wall or ceiling.



WARNING: Ground fixture in accordance with local and national electrical codes. Failure to do so may result in serious personal injury. Fixture installations should ONLY be done by a qualified licensed electrical professional.

Wet BionicPro | Linear

Surface/Wall — WMC2 2" Continuous Channel

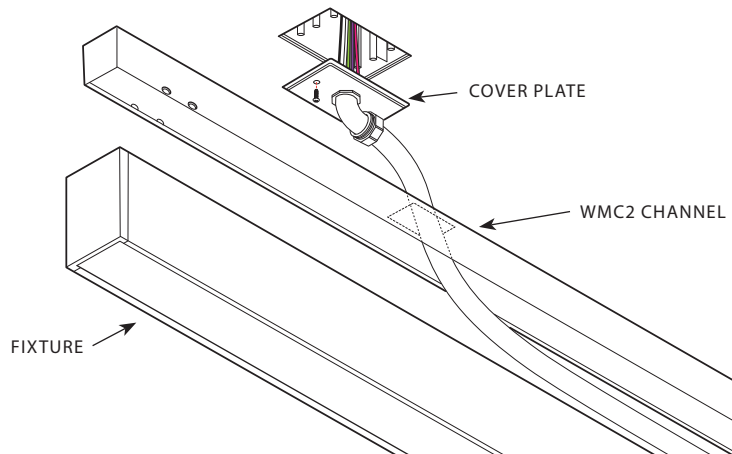
INSTALLATION INSTRUCTIONS



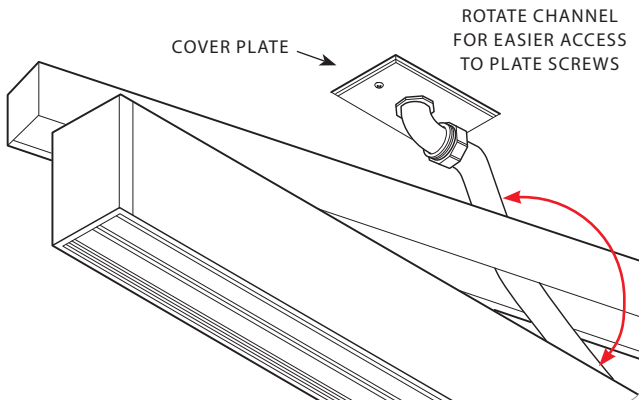
7) Lift the fixture and WMC2 channel near the ceiling and make the wire connections.

WIRING:

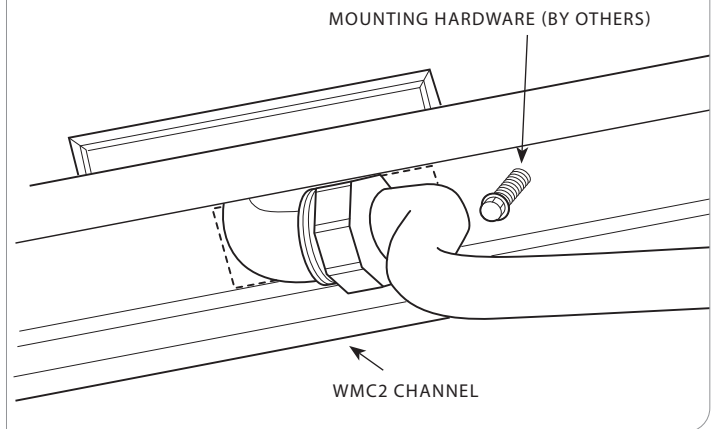
0-10V (+): PURPLE	0-10V (-): PINK
DALI (+): PURPLE	DALI (-): PINK
EcoSystem DALI (+): PURPLE	EcoSystem DALI (-): PINK
HOT: BLACK	
NEUTRAL: WHITE	
GROUND: GREEN	
CONSTANT HOT (EM): RED	



8) Attach the cover plate to the watertight junction box. (You can rotate the WMC2 channel to make room for the screw connection on the cover plate).

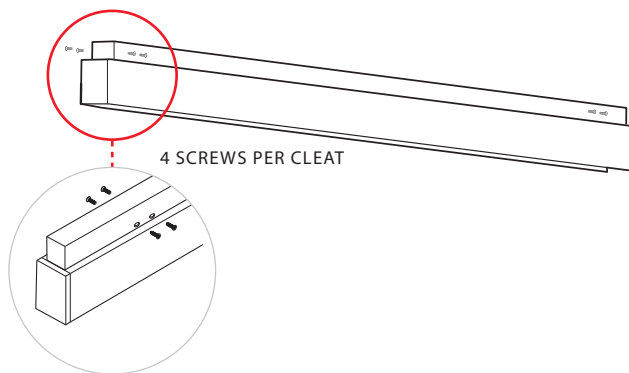


9) Lower the fixture and attach the WMC2 channel to structure.

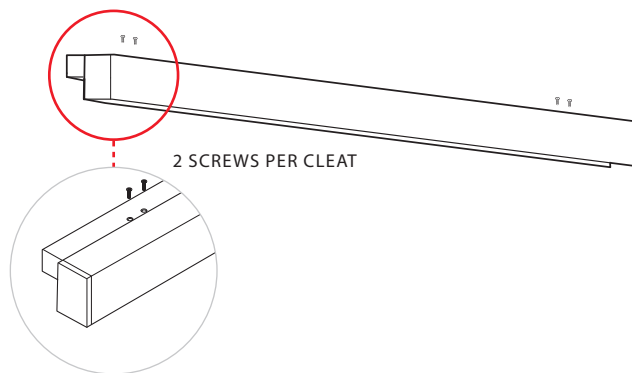


10) Lift the fixture up to the installed channel and install cleat screws through WMC2 channel's factory drilled holes and into the factory installed cleats. Tighten screws to channel.

SURFACE



WALL



WARNING: Ground fixture in accordance with local and national electrical codes. Failure to do so may result in serious personal injury. Fixture Installations should ONLY be done by a qualified licensed electrical professional.

Wet BionicPro | Linear Surface/Wall — WMC2 2" Continuous Channel

INSTALLATION INSTRUCTIONS



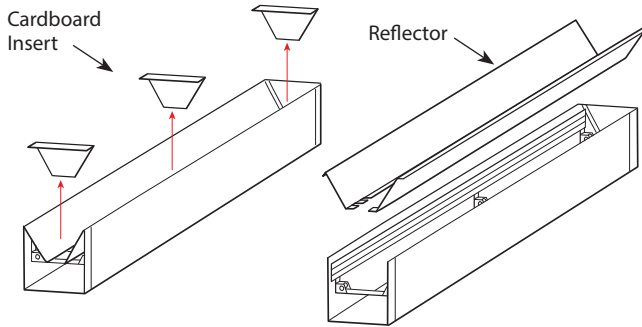
PRUDENTIAL LTG.

PRULITE.COM 213.746.0360

WMC2 WALL ROW FIXTURE INSTALL

! DO NOT BUILD ROWS ON FLOOR TO HOIST **↑↑** REQUIRES TWO PEOPLE TO INSTALL

- 1)** Remove cardboard inserts and reflectors. Leave LED assembly in place.

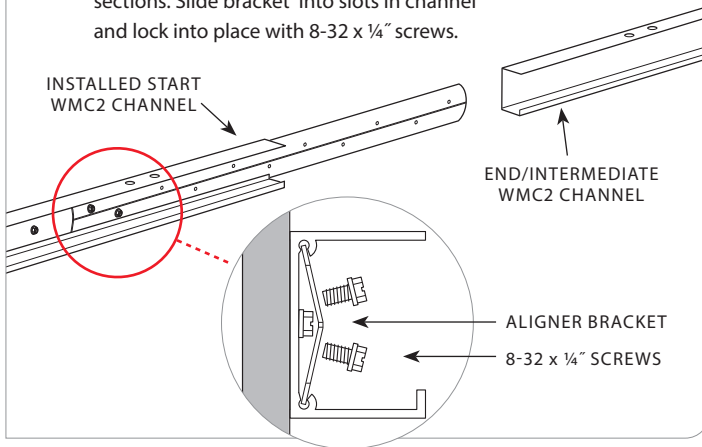


NOTE:

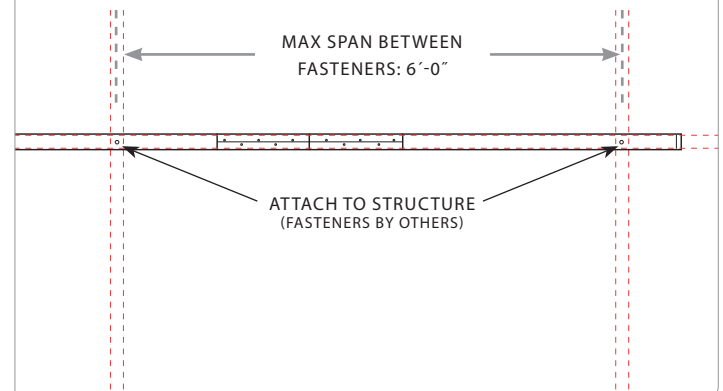
WMC2 Row installs now are split into Wall and Ceiling sets:

- Wall set uses Aligner Bracket.
- Surface set uses taper pins.

- 2)** Continue to layout the next Intermediate or End WMC2 Channel section, using the channel aligner bracket to align channel sections. Slide bracket into slots in channel and lock into place with 8-32 x 1/4" screws.

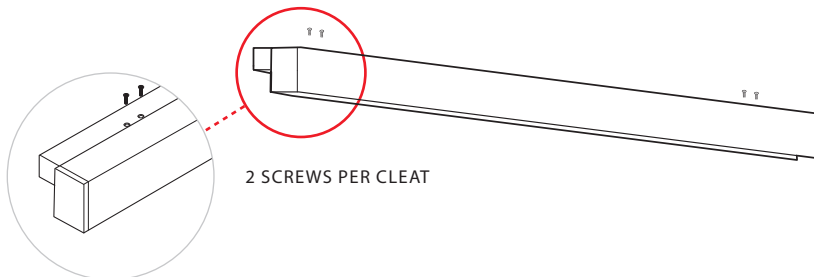


- 3)** Attach WMC2 channel to structure — if using the aligner bracket to span between connection points, max span is 6'-0".



- 4)** Lift the start fixture up to the installed channel and install cleat screws through the WMC channel's factory drilled holes and into the factory installed cleats.

WALL



WARNING: Ground fixture in accordance with local and national electrical codes. Failure to do so may result in serious personal injury. Fixture Installations should ONLY be done by a qualified licensed electrical professional.

Wet BionicPro | Linear

Surface/Wall — WMC2 2" Continuous Channel

INSTALLATION INSTRUCTIONS



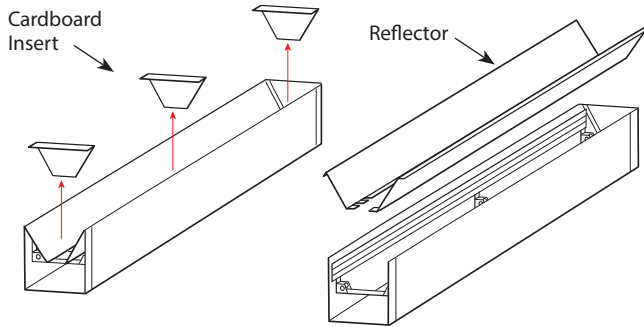
PRUDENTIAL LTG.

PRULITE.COM 213.746.0360

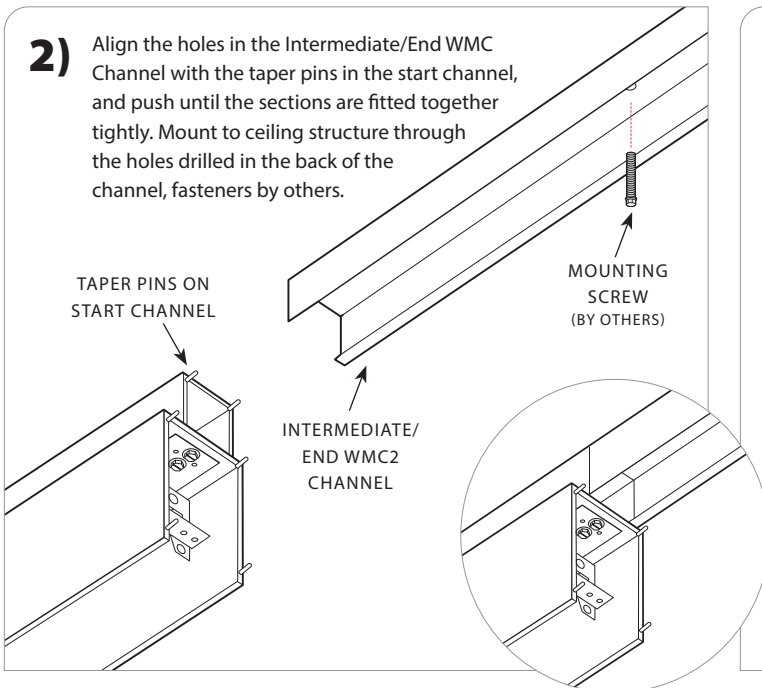
WMC2 SURFACE ROW FIXTURE INSTALL

! DO NOT BUILD ROWS ON FLOOR TO HOIST **↑↑ REQUIRES TWO PEOPLE TO INSTALL**

- 1)** Remove cardboard inserts and reflectors.
Leave LED assembly in place.

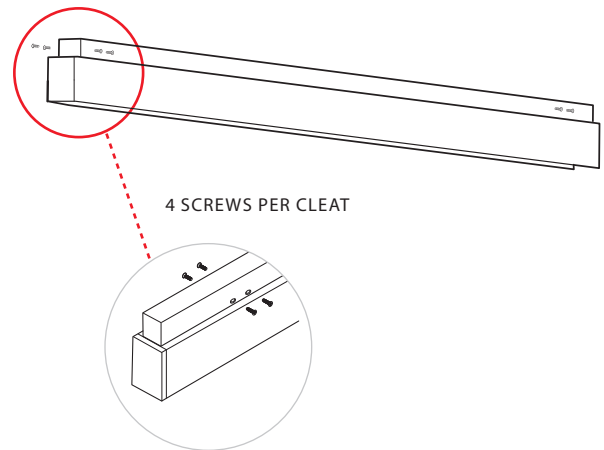


- 2)** Align the holes in the Intermediate/End WMC Channel with the taper pins in the start channel, and push until the sections are fitted together tightly. Mount to ceiling structure through the holes drilled in the back of the channel, fasteners by others.



- 3)** Lift the fixture up to the installed channel and install cleat screws through WMC channel's factory drilled holes and into the factory installed cleats. Tighten screws to channel.

SURFACE



WARNING: Ground fixture in accordance with local and national electrical codes. Failure to do so may result in serious personal injury. Fixture Installations should ONLY be done by a qualified licensed electrical professional.

Wet BionicPro | Linear Surface/Wall — WMC2 2" Continuous Channel

INSTALLATION INSTRUCTIONS



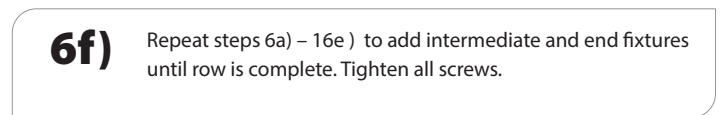
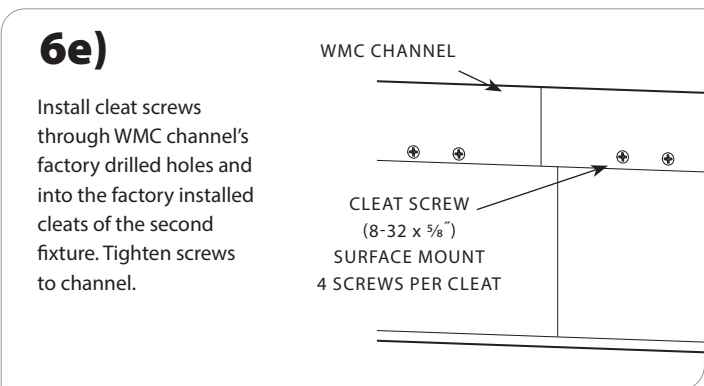
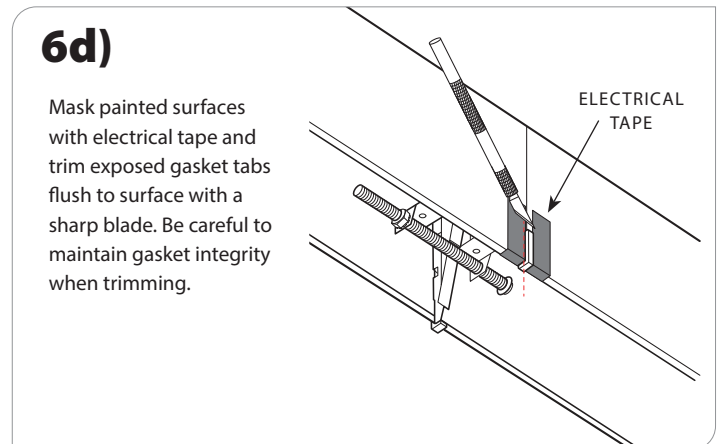
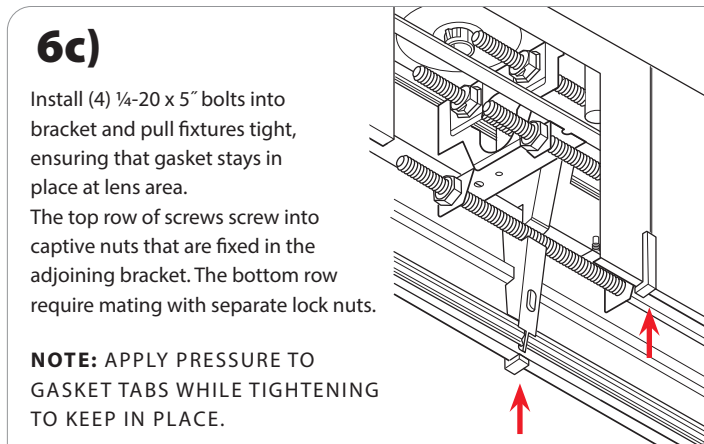
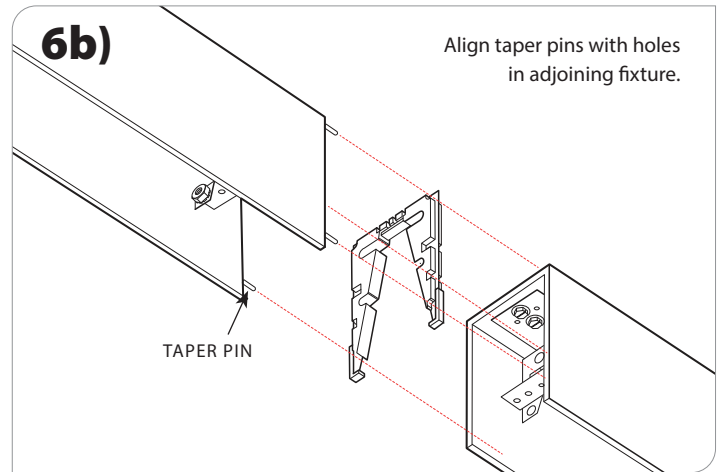
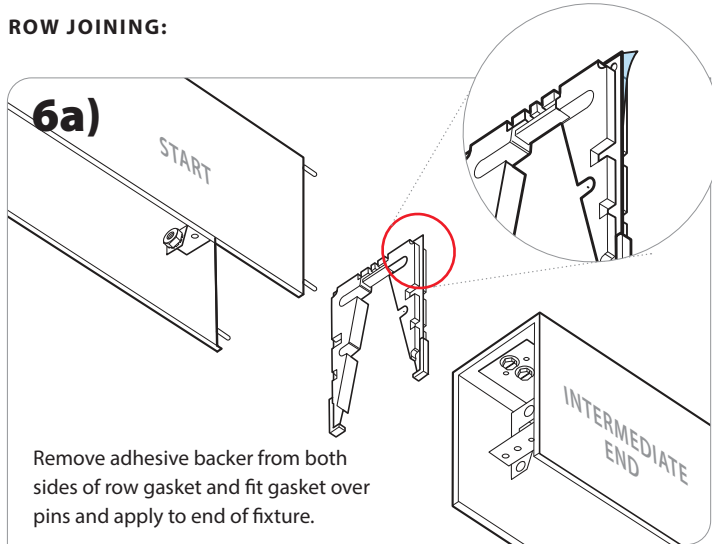
PRUDENTIAL LTG.

PRULITE.COM 213.746.0360

ROW FIXTURE INSTALL

⚠ DO NOT BUILD ROWS ON FLOOR TO HOIST **👤👤 REQUIRES TWO PEOPLE TO INSTALL** **POWER CORD SHIPPED ATTACHED**

ROW JOINING:



WARNING: Ground fixture in accordance with local and national electrical codes. Failure to do so may result in serious personal injury. Fixture Installations should ONLY be done by a qualified licensed electrical professional.



Prudential Ltg. reserves the right to change design specifications or materials without notice. Please visit prulite.com for most current data. © 2026 All rights reserved—All products manufactured at: Prudential Ltg. 1774 E. 21st Street, Los Angeles, CA 90058

Wet BionicPro | Linear

Surface/Wall — WMC2 2" Continuous Channel

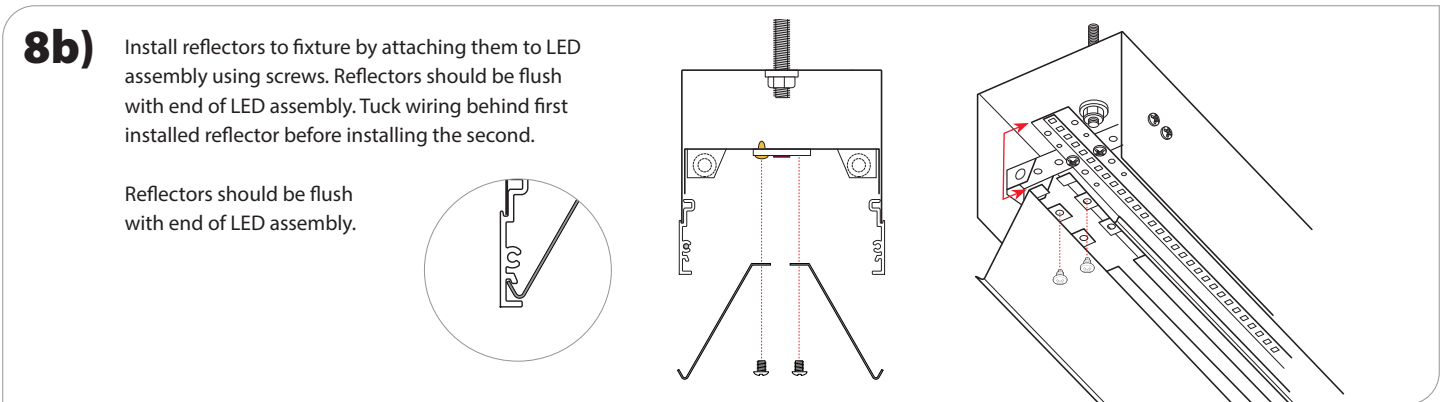
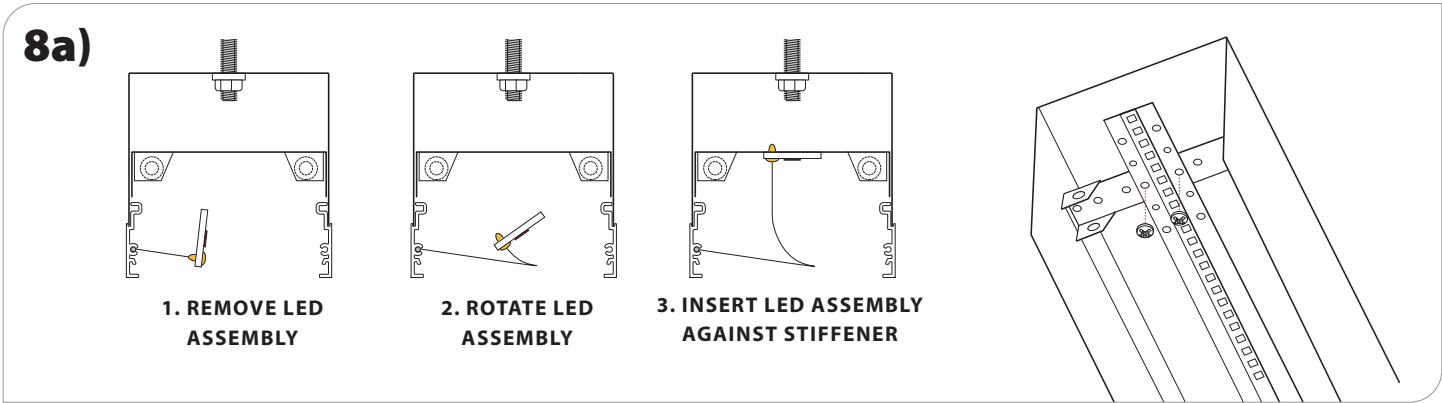
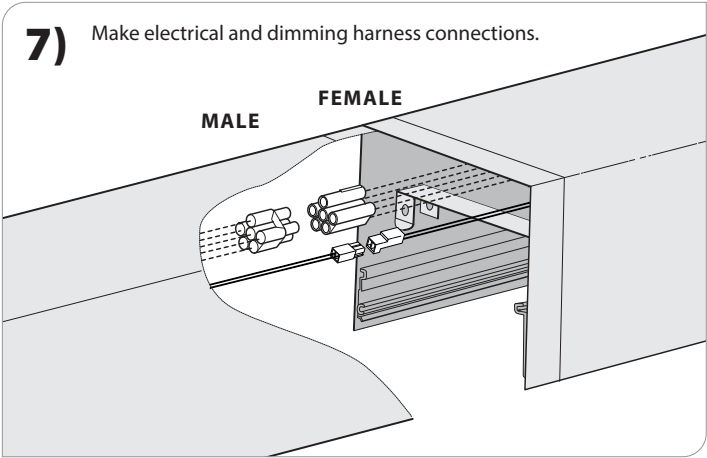
INSTALLATION INSTRUCTIONS



PRUDENTIAL LTG.

PRULITE.COM 213.746.0360

! DO NOT BUILD ROWS ON FLOOR TO HOIST **↑↑ REQUIRES TWO PEOPLE TO INSTALL**



WARNING: Ground fixture in accordance with local and national electrical codes. Failure to do so may result in serious personal injury. Fixture Installations should ONLY be done by a qualified licensed electrical professional.

Wet BionicPro | Linear

Surface/Wall — WMC2 2" Continuous Channel

INSTALLATION INSTRUCTIONS

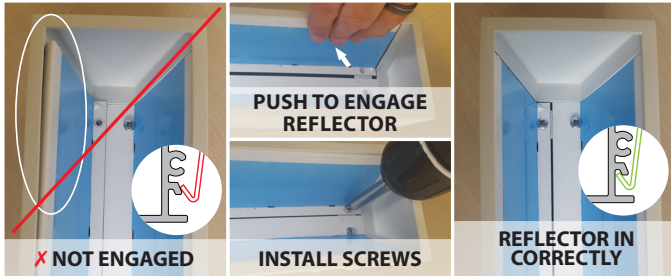


PRUDENTIAL LTG.

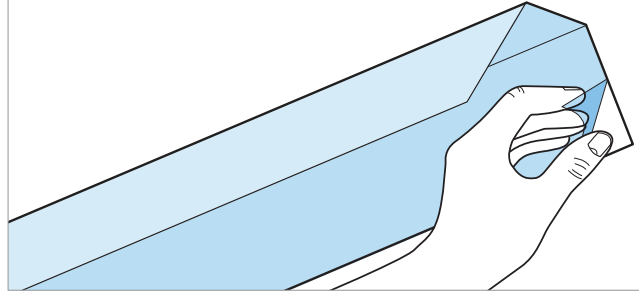
PRULITE.COM 213.746.0360

⚠ DO NOT BUILD ROWS ON FLOOR TO HOIST **👤👤 REQUIRES TWO PEOPLE TO INSTALL**

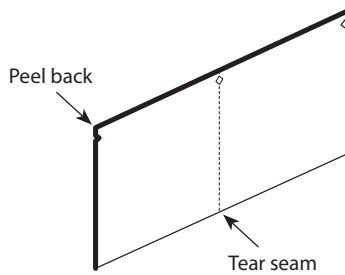
9) Snap reflectors into place.



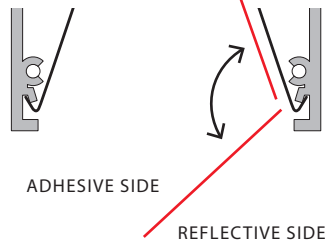
10) Peel blue protective covering off reflectors.



11a) Tear seam reflector at perforation. Peel film to reveal adhesive.



11b) Insert seam reflector above break in reflector.



WARNING: Ground fixture in accordance with local and national electrical codes. Failure to do so may result in serious personal injury. Fixture Installations should ONLY be done by a qualified licensed electrical professional.

USA Prudential Ltg. reserves the right to change design specifications or materials without notice. Please visit prulite.com for most current data. © 2026 All rights reserved—All products manufactured at: Prudential Ltg. 1774 E. 21st Street, Los Angeles, CA 90058

Wet BionicPro | Linear

Surface/Wall — WMC2 2" Continuous Channel

INSTALLATION INSTRUCTIONS

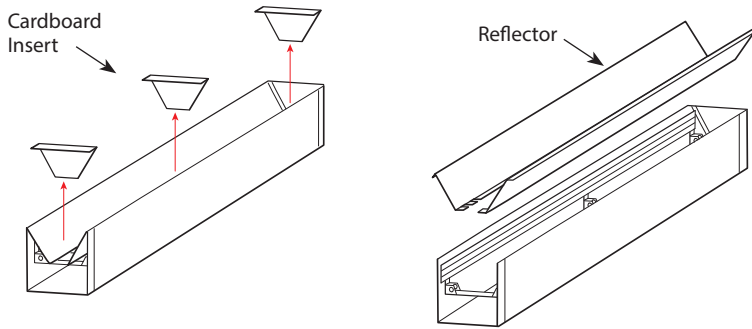


PRUDENTIAL LTG.

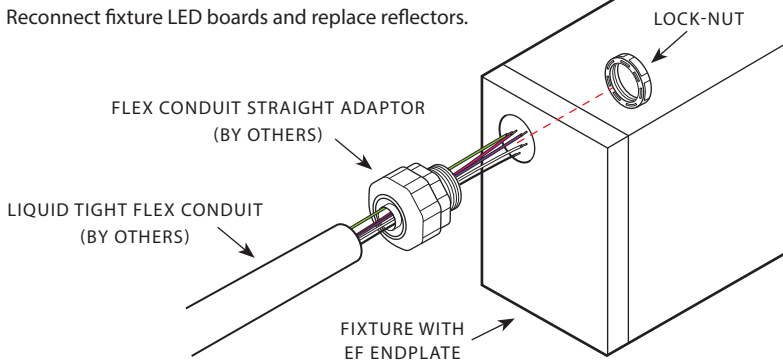
PRULITE.COM 213.746.0360

END FEED (EF) INSTALLTION

- 1)** Remove cardboard inserts and reflectors.
Leave LED assembly in place.

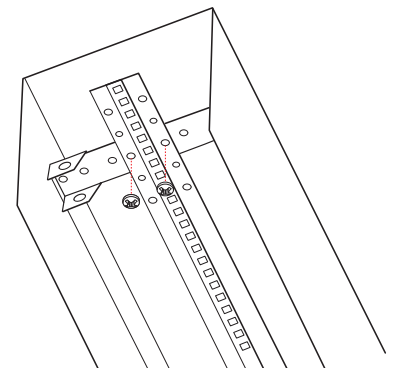


- 2a)** Fasten Liquid-tight flexible metal conduit adapter to opening in EF endplate, making a water-tight seal with the fitting. Insert flex conduit wires through adapter and fasten flex to fitting. Make wiring connections to fixture. Reconnect fixture LED boards and replace reflectors.



- 2b)** Route Liquid-tight flex conduit to wet-location electrical box (by others) and make wiring connections. Proceed to lens installation steps on page 12.

- 3a)**
- 1. REMOVE LED ASSEMBLY**
 - 2. ROTATE LED ASSEMBLY**
 - 3. INSERT LED ASSEMBLY AGAINST STIFFENER**



WARNING: Ground fixture in accordance with local and national electrical codes. Failure to do so may result in serious personal injury. Fixture Installations should ONLY be done by a qualified licensed electrical professional.

Wet BionicPro | Linear

Surface/Wall — WMC2 2" Continuous Channel

INSTALLATION INSTRUCTIONS



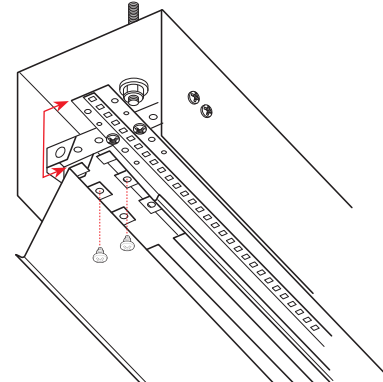
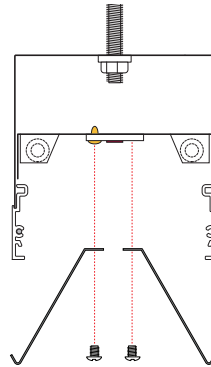
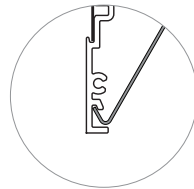
PRUDENTIAL LTG.

PRULITE.COM 213.746.0360

END FEED (EF) INSTALLTION

- 3b)** Install reflectors to fixture by attaching them to LED assembly using screws. Reflectors should be flush with end of LED assembly. Tuck wiring behind first installed reflector before installing the second.

Reflectors should be flush with end of LED assembly.



- 4)** Route Liquid-Tight flex conduit to wet-location electrical box (by others) and make wiring connections. Proceed to lens installation steps on page 12.

WIRING:

0-10V (+) : PURPLE 0-10V (-) : PINK

DALI (+) : PURPLE DALI (-) : PINK

EcoSystem DALI (+) : PURPLE EcoSystem DALI (-) : PINK

HOT : BLACK

NEUTRAL : WHITE

GROUND : GREEN

CONSTANT HOT (EM) : RED

WARNING: Ground fixture in accordance with local and national electrical codes. Failure to do so may result in serious personal injury. Fixture Installations should ONLY be done by a qualified licensed electrical professional..



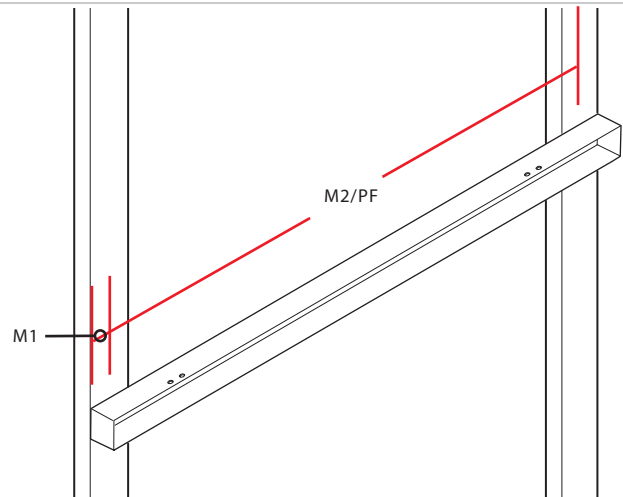
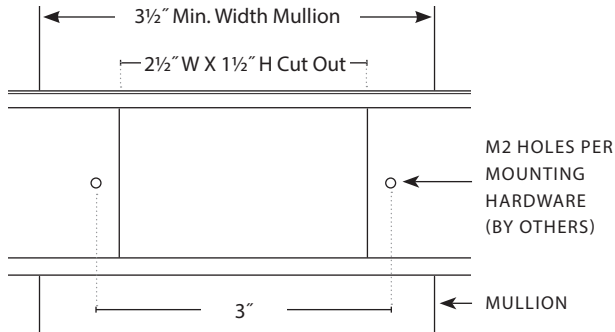
Prudential Ltg. reserves the right to change design specifications or materials without notice. Please visit prulite.com for most current data.
© 2026 All rights reserved—All products manufactured at: Prudential Ltg. 1774 E. 21st Street, Los Angeles, CA 90058



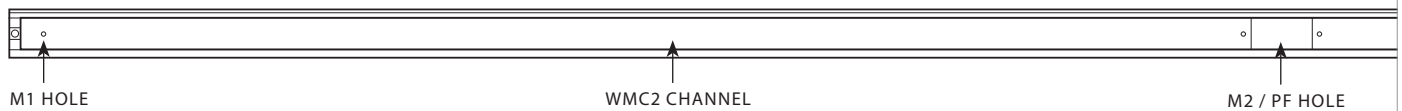
MOUNTING ON VERTICAL MULLIONS

MINIMUM MULLION WIDTH IS 3½"

- 1)** Measuring from the start of the WMC Channel:
— Identify the mounting points (M1, M2/PF), centered on the mullion structure.

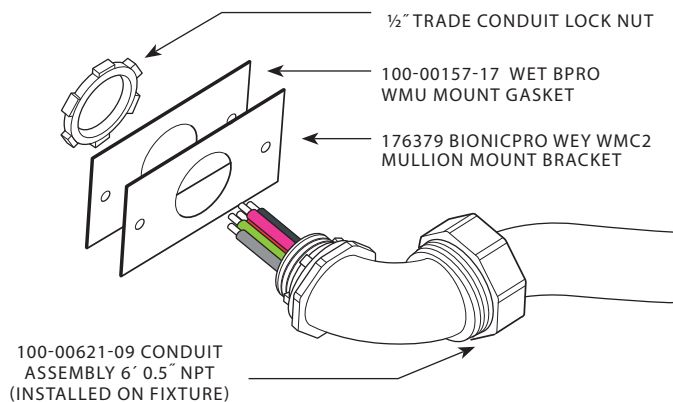


- 2)** — Drill the M1 and M2 holes at the identified locations from step #1. Cutout the PF opening in the channel. The hole size is dependent on the mounting hardware (by others). Exact location of mounting holes depend on mullion structure location.



3) **Fasten cover plate to flex conduit fitting.**

Adhere WMU Mount Gasket to back of WMC2 Mullion Mount Bracket and fasten to conduit assembly 90° fitting with conduit lock nut.



WARNING: Ground fixture in accordance with local and national electrical codes. Failure to do so may result in serious personal injury. Fixture Installations should ONLY be done by a qualified licensed electrical professional.



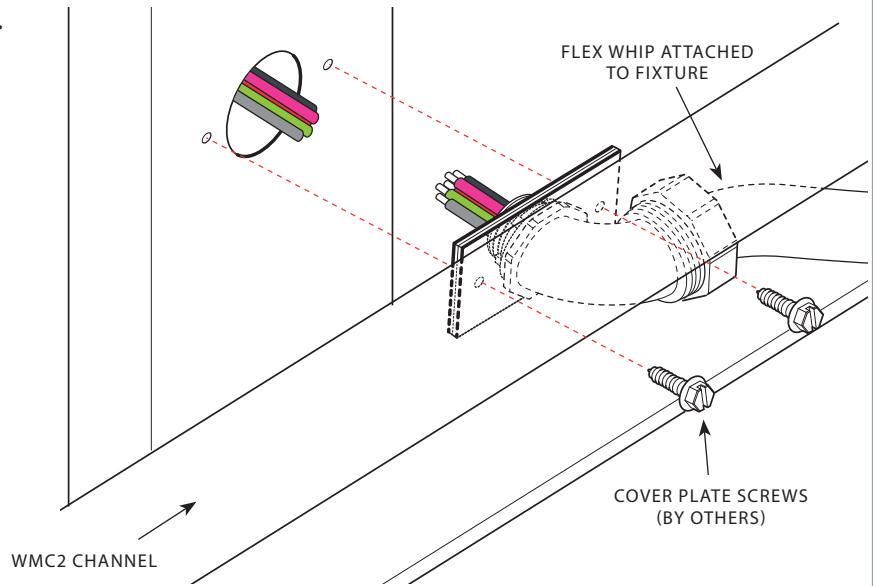
MOUNTING ON VERTICAL MULLIONS

4) Fasten cover plate assembly to mullion structure.

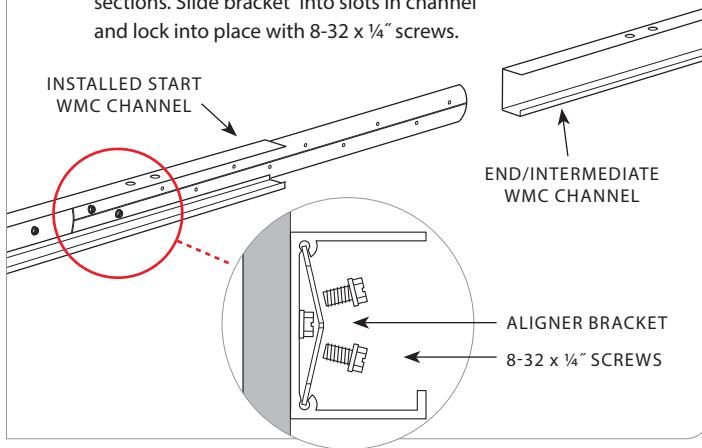
— Feed the cover plate assembly through the PF opening the WMC2 channel and, per local codes, make wiring connections to fasten the cover plate to the mullion structure with fasteners by others. Rotate WMC2 channel as required to access fasteners.

WIRING:

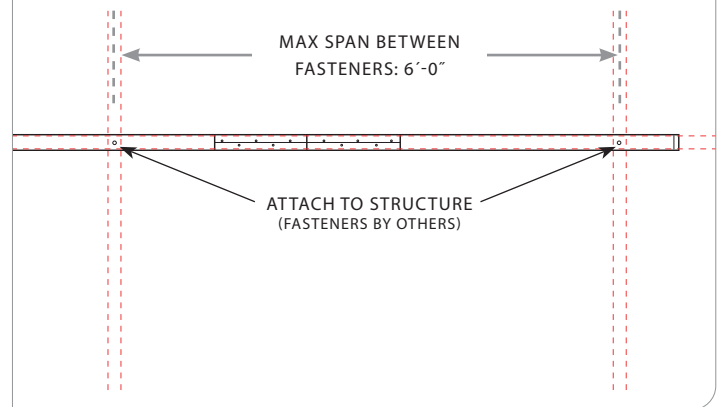
0-10V (+) : PURPLE	0-10V (-) : PINK
DALI (+) : PURPLE	DALI (-) : PINK
EcoSystem DALI (+) : PURPLE	EcoSystem DALI (-) : PINK
HOT : BLACK	
NEUTRAL : WHITE	
GROUND : GREEN	
CONSTANT HOT (EM) : RED	



5) Continue to layout the next Intermediate or End WMC2 Channel section, using the channel aligner bracket to align channel sections. Slide bracket into slots in channel and lock into place with 8-32 x 1/4" screws.



6) Attach WMC2 channel to structure — if using the aligner bracket to span between connection points, max span is 6'-0".



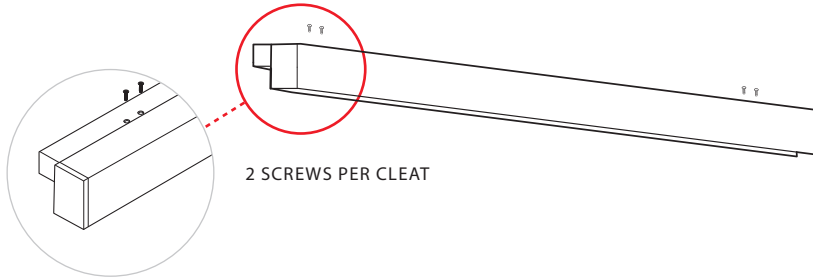
WARNING: Ground fixture in accordance with local and national electrical codes. Failure to do so may result in serious personal injury. Fixture installations should ONLY be done by a qualified licensed electrical professional.



MOUNTING ON VERTICAL MULLIONS

- 7)** Lift the start fixture up to the installed channel and install cleat screws through the WMC channel's factory drilled holes and into the factory installed cleats.

WALL



WARNING: Ground fixture in accordance with local and national electrical codes. Failure to do so may result in serious personal injury. Fixture Installations should ONLY be done by a qualified licensed electrical professional.



INSTALLATION
VIDEO



PRUDENTIAL LTG.

PRULITE.COM 213.746.0360

LENS INSTALLATION

REQUIRES TWO PEOPLE TO INSTALL

⚠️ PRIOR TO INSTALLING LENS, ENERGIZE LEDS AND CONFIRM ALL ARE PROPERLY LIT BEFORE INSTALLING LENS

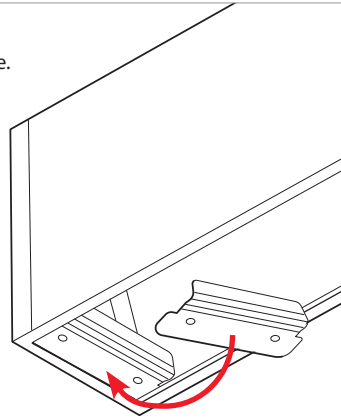
RECOMMENDED: Start lens installation from *LEFT* to *RIGHT*.



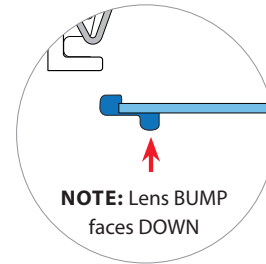
1) Insert clamp brackets at the **START** and **END** of the fixture.



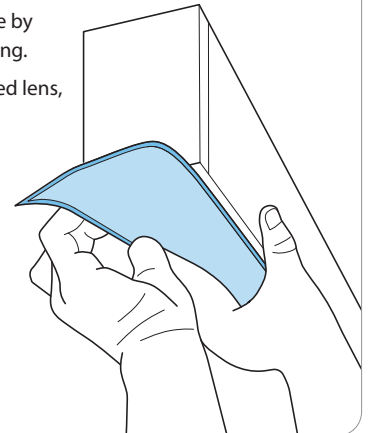
Use handle of 'Lens Tool' to tap bracket into place



2) Insert lens into start of fixture by hand with an extra 3" overhang. Squeeze one edge of gasketed lens, then the other.



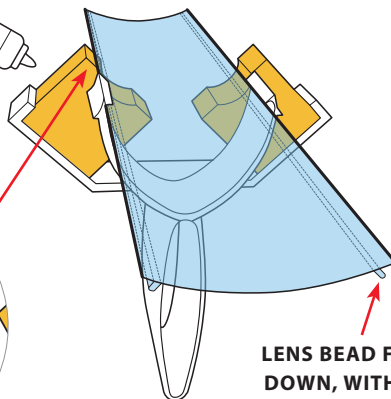
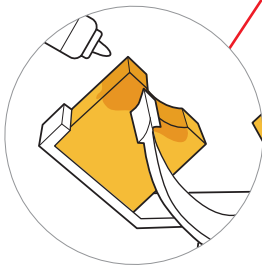
NOTE: Lens BUMP faces DOWN



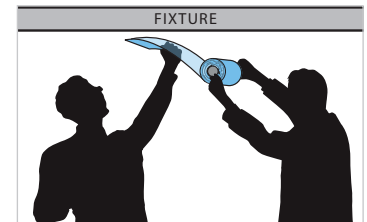
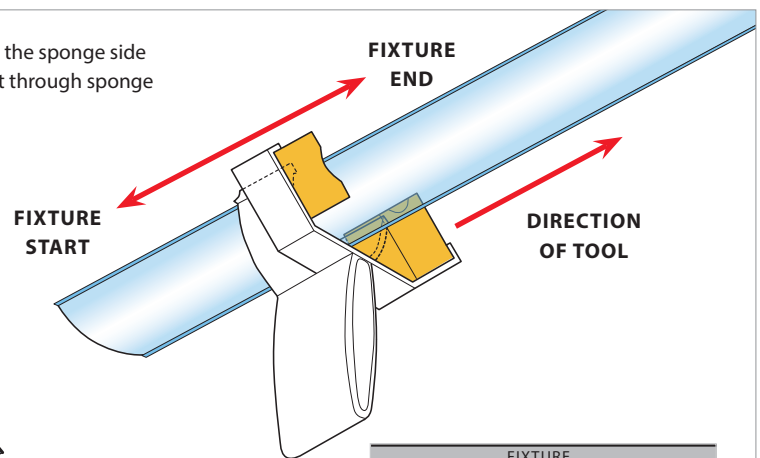
3) With lens partially inserted into fixture, snap lens into lens tool with the sponge side of tool facing the opposite end of fixture. Guide edges of lens gasket through sponge grooves. Apply lens lube liberally to sponge grooves on both sides.

Lens Lube

APPLY LENS LUBE TO SPONGE IN GROOVED AREAS



LENS BEAD FACING DOWN, WITH LENS BOWED OUT



WARNING: Ground fixture in accordance with local and national electrical codes. Failure to do so may result in serious personal injury. Fixture Installations should **ONLY** be done by a qualified licensed electrical professional.

Wet BionicPro | Linear Surface/Wall — WMC2 2" Continuous Channel

INSTALLATION INSTRUCTIONS



INSTALLATION
VIDEO



PRUDENTIAL LTG.

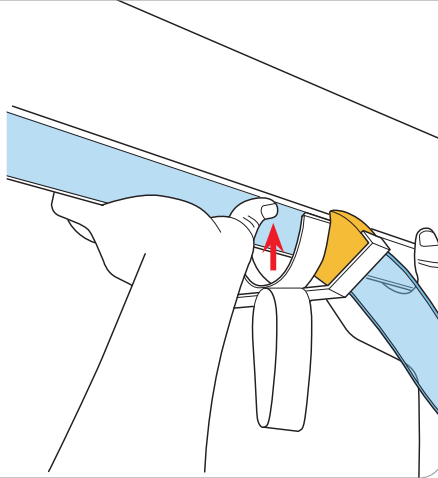
PRULITE.COM 213.746.0360

LENS INSTALLATION

REQUIRES TWO PEOPLE TO INSTALL

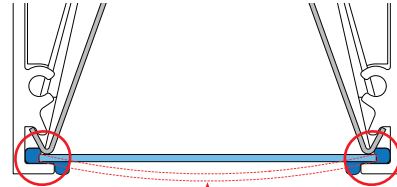
4a)

With lens inserted into tool, squeeze and push tool tabs into slots in fixture opening.



4b)

Apply pressure to the middle of the lens where it is bowed out. This will push the gasket into the lens slot. Ensure that the gasket is pressed firmly against the inside fixture lip.

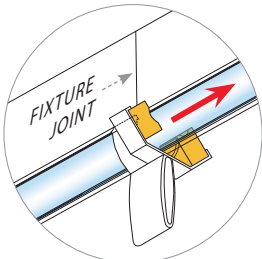


PUSH LENS FLAT WHERE IT IS BOWED OUT
GASKET BEAD MUST BE PRESSED UP
AGAINST INSIDE FIXTURE LIP

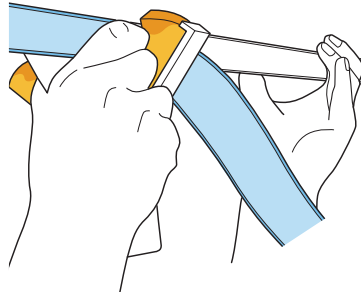
5)

Slide Lens Tool forward to insert lens

NOTE: Keep Lens Tool square,
DO NOT twist.



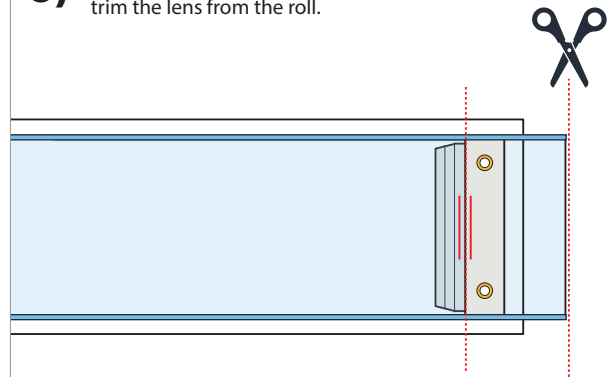
NOTE: Slow down
sliding at fixture joints.



REAPPLY LUBRICANT
TO SPONGES AS NEEDED.

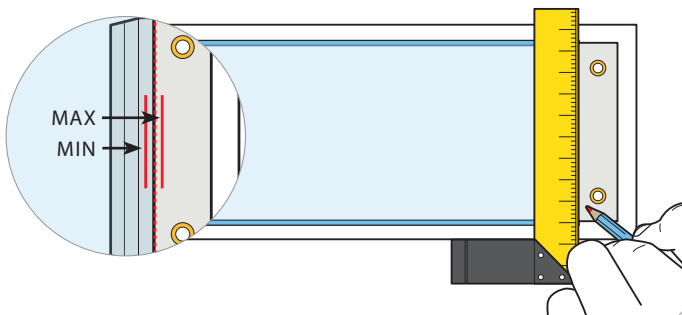
6)

Leaving an inch of lens at the END of the fixture,
trim the lens from the roll.



7) Using Square, mark side of fixture where to cut lens
within 1/8" safety zone Transfer CUT LINE to Lens,
using square draw CUT LINE across lens

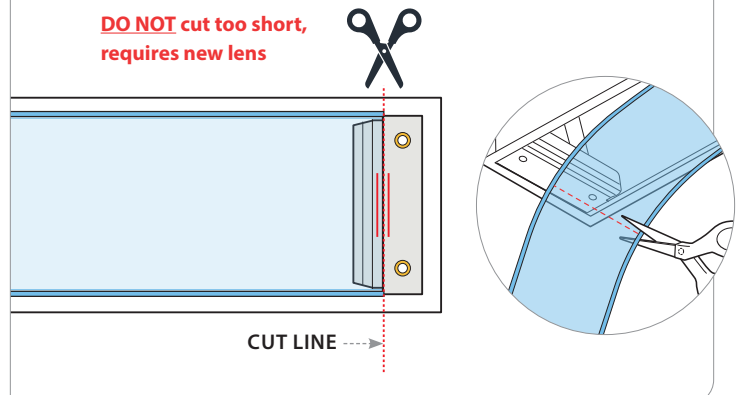
NOTE: Mark as close to end cap as possible (max line)



8)

CUT LENS: In order to not cut lens too short, it is easier to
make multiple cuts that are gradually closer to marked line.

DO NOT cut too short,
requires new lens



WARNING: Ground fixture in accordance with local and national electrical codes. Failure to do so may result in serious personal injury
Fixture Installations should ONLY be done by a qualified licensed electrical professional.



Prudential Ltg. reserves the right to change design specifications or materials without notice. Please visit prulite.com for most current data.
© 2026 All rights reserved—All products manufactured at: Prudential Ltg. 1774 E. 21st Street, Los Angeles, CA 90058

Wet BionicPro | Linear Surface/Wall — WMC2 2" Continuous Channel

INSTALLATION INSTRUCTIONS



INSTALLATION
VIDEO



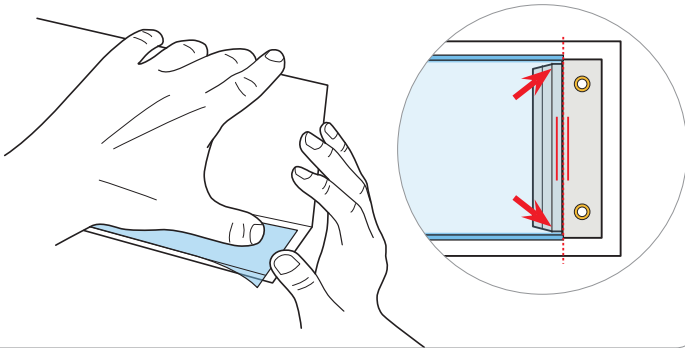
PRUDENTIAL LTG.

PRULITE.COM 213.746.0360

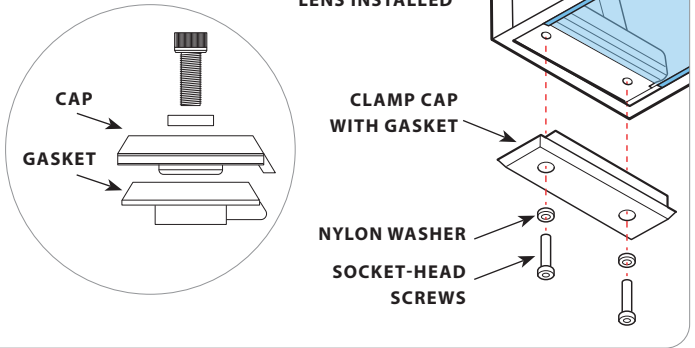
LENS INSTALLATION

REQUIRES TWO PEOPLE TO INSTALL

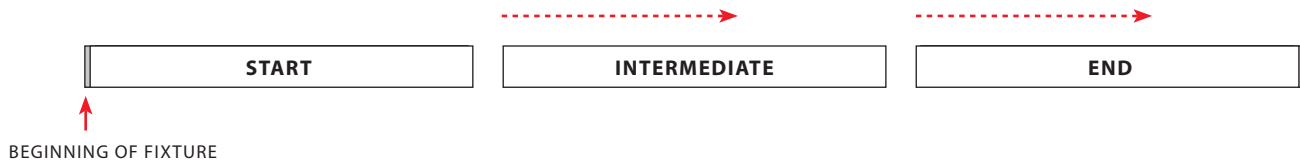
- 9)** As you near the end of the fixture, remove lens tool and install remaining lens by hand. Tuck the end sections of gasket between the bracket and the inside of the lens opening.



- 10)** Install Clamp cap with gasket using $\frac{7}{64}$ " HEX socket. Hand tighten screws.



- 10)** Repeat lens trimming and clamp cap installation at beginning of fixture.



WARNING: Ground fixture in accordance with local and national electrical codes. Failure to do so may result in serious personal injury. Fixture Installations should ONLY be done by a qualified licensed electrical professional.

Wet BionicPro | Linear Surface/Wall — WMC2 2" Continuous Channel

INSTALLATION INSTRUCTIONS



PRUDENTIAL LTG.

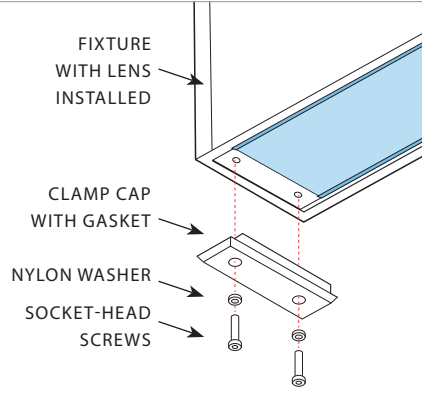
PRULITE.COM 213.746.0360

LENS REMOVAL

REQUIRES TWO PEOPLE TO INSTALL

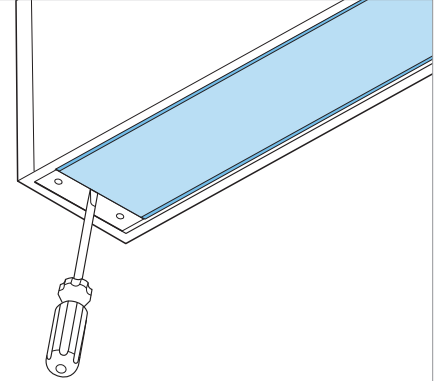
1)

Use a $\frac{7}{64}$ " hex wrench to remove socket head screws to release Clamp Caps from both ends of fixture.



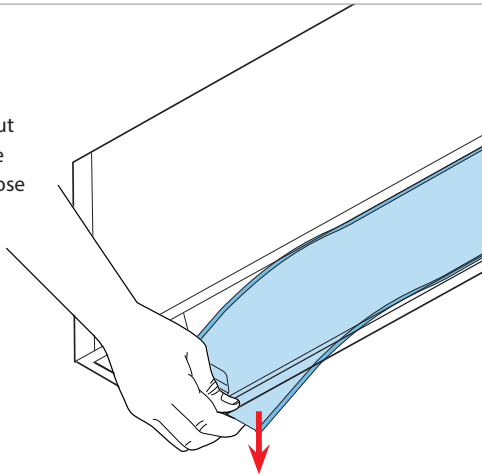
2)

Pry the lens loose at the end with a small slotted screwdriver just enough to make some space between the lens and the bracket.



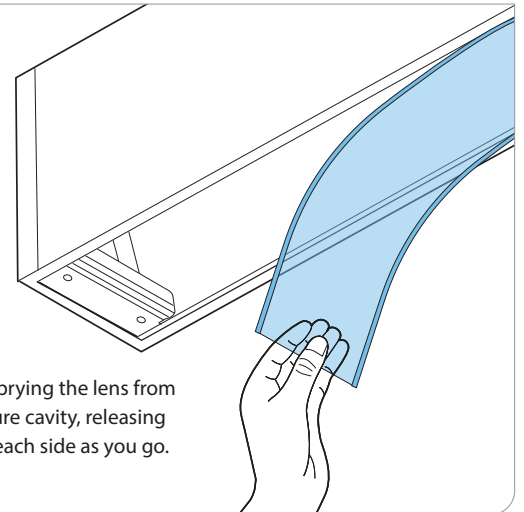
3)

Use your fingers to gently pry the lens out from the center while pulling the gasket loose from the lens slot.



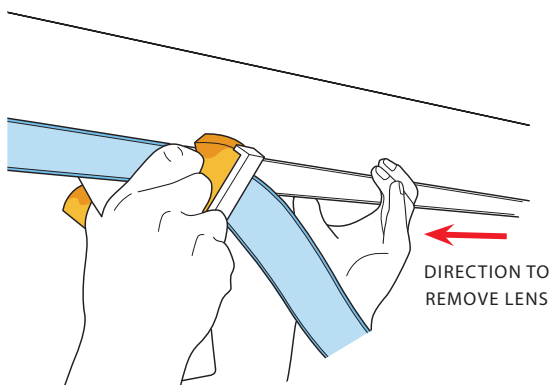
4)

Continue slowly prying the lens from inside of the fixture cavity, releasing the gasket from each side as you go.



5)

Feed lens into lubricated tool and slowly reverse direction of install, pulling lens out as you go.



WARNING: Ground fixture in accordance with local and national electrical codes. Failure to do so may result in serious personal injury. Fixture Installations should ONLY be done by a qualified licensed electrical professional.