

# Wet BionicPro | Linear

## Surface/Wall — WMC .75" Continuous Channel

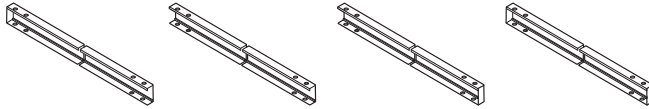
### INSTALLATION INSTRUCTIONS



PRUDENTIAL LTG.

PRULITE.COM 213.746.0360

#### WET BPRO-LIN CHANNEL-WMC



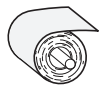
LENGTH	START	INTERMEDIATE	END	INDIVIDUAL
<b>SURFACE:</b>				
8'	173626	173710	173654	173682
7'	173627	173711	173655	173683
6'	173628	173712	173656	173684
5'	173629	173713	173657	173685
4'	173630	173714	173658	173686
3'	173631	173715	173659	173687
2'	173632	173716	173660	173688
<b>WALL:</b>				
8'	173619	173703	173647	173675
7'	173620	173704	173648	173676
6'	173621	173705	173649	173677
5'	173622	173706	173650	173678
4'	173623	173707	173651	173679
3'	173624	173708	173652	173680
2'	173625	173709	173653	173681

PART	PART NO.	DESCRIPTION
------	----------	-------------

#### LENS CLAMP KIT:

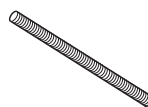


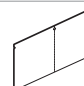
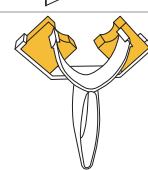


	170524	Lens Clamp Bracket
	100-00254-03	Endplate Clamp Cap
	100-00154-17	Molded Clamp Gasket
	100-00422-14	Socket Head Cap Screw 6-32 x 3/8"
	100-00423-14	Black Nylon Flat Washer .140ID x 312OD

#### WET BPRO3 LENSES

PARTS LIST	LENGTH	PART NO.							
LENSES:		SAL	BTW	WWF	WWG	PFL	NGZ	MGZ	WGZ
	8'	173834	173826	173842	173850	173858	173866	173874	173882
	7'	173835	173827	173843	173851	173859	173867	173875	173883
	6'	173836	173828	173844	173852	173860	173868	173876	173884
	5'	173837	173829	173845	173853	173861	173869	173877	173885
	4'	173838	173830	173846	173854	173862	173870	173878	173886
	3'	173839	173831	173847	173855	173863	173871	173879	173887
	2'	173840	173832	173848	173856	173864	173872	173880	173888
ROLL		100-00501-10	163441	163442	163443	163444	163445	163446	163447

**WARNING:** Ground fixture in accordance with local and national electrical codes. Failure to do so may result in serious personal injury. Fixture installations should ONLY be done by a qualified licensed electrical professional.




US★ Prudential Ltg. reserves the right to change design specifications or materials without notice. Please visit prulite.com for most current data. © 2026 All rights reserved—All products manufactured at: Prudential Ltg. 1774 E. 21<sup>st</sup> Street, Los Angeles, CA 90058

PART	PART NO.	DESCRIPTION
	100-00283-14	1/4-20 x 5.0 Round Head Combination Drive Machine Screw
	100-00255-14	1/4-20 Hex Nut
	100-00483-10	Endplate Reflector
	100-00486-10	Seam Reflector
	100-00464-10	BionicPro3 Lens Tool
	100-00014-25	Lens Lube
	100-00424-14	8-32 x 5/8" Flat Head Phillips Screw

#### ROW MOUNTING GASKET:

	100-00397-17	Joiner Gasket — BLACK
	100-00435-17	Joiner Gasket — WHITE

#### PARTS SHIPPED INSTALLED:

	100-00376-14	Heyco 1065 Liquid-tight Cord Seal BLACK - LTBSR 875-094-440
	100-00432-14	Heyco C2070 liquid-tight Break-thru Plug BLACK LTBP 875-250
	100-00433-14	Heyco 3486VB LTSV 875 Vent Plug

	177778	Wet BPRO Channel Joiner Aligner
--	--------	---------------------------------

# Wet BionicPro | Linear

## Surface/Wall — WMC .75" Continuous Channel

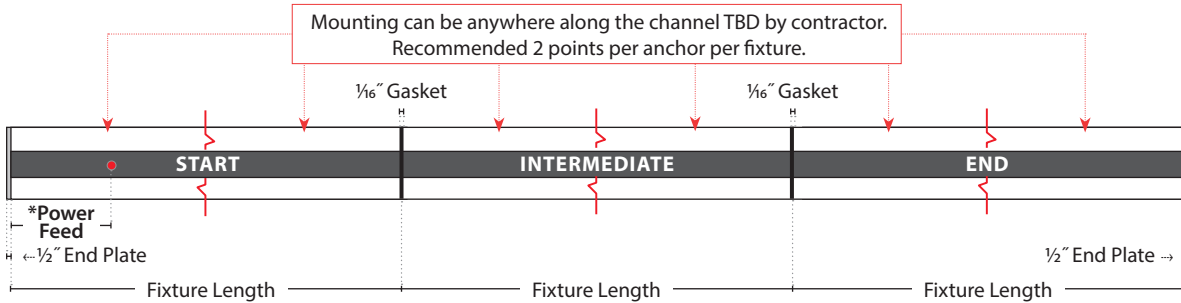
### INSTALLATION INSTRUCTIONS



#### WMC (CHANNELS): SURFACE/WALL — MOUNTING

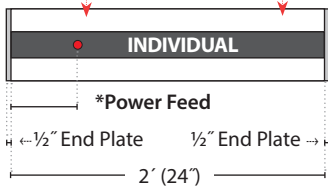
**NOTE: 2' ROW FIXTURES NOT AVAILABLE**

● POWER FEED

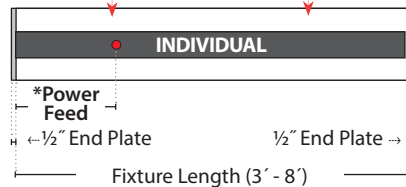


#### INDIVIDUAL (2'):

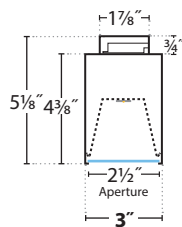
Mounting can be anywhere along the channel TBD by contractor.  
Recommended 2 points per anchor per fixture.



Mounting can be anywhere along the channel TBD by contractor.  
Recommended 2 points per anchor per fixture.

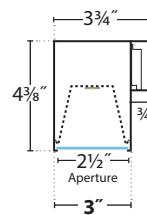


#### WMC — SURFACE



	FIXTURE LENGTHS	
	*Power Feed	All
2'	4"	24"
3'	6"	36"
4'	6"	48"
5'	6"	60"
6'	36"	72"
7'	42"	84"
8'	48"	96"

#### WMC — WALL



	FIXTURE LENGTHS	
	*Power Feed	All
2'	4"	24"
3'	10"	36"
4'	10"	48"
5'	10"	60"
6'	36"	72"
7'	42"	84"
8'	48"	96"

**WARNING:** Ground fixture in accordance with local and national electrical codes. Failure to do so may result in serious personal injury. Fixture Installations should ONLY be done by a qualified licensed electrical professional.

# Wet BionicPro | Linear

## Surface/Wall — WMC .75" Continuous Channel

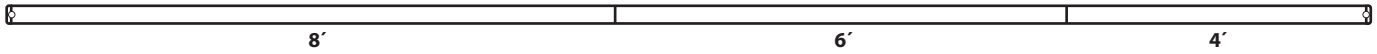


PRUDENTIAL LTG.

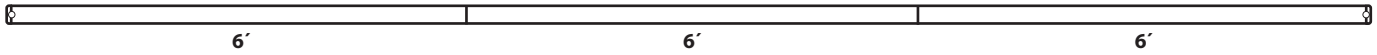
PRULITE.COM 213.746.0360

### ROW BUILDER

18' STANDARD ROW LENGTH:



18' SYMMETRIC ROW LENGTH (SRL):



### STANDARD

ROW LENGTH			TOTAL LENGTH WITH ENDCAPS AND ROW JOINER GASKET (INCHES)
9'	5+4	5FT STR + 4FT END	109.06
10'	6+4	6FT STR + 4FT END	121.06
11'	7+4	7FT STR + 4FT END	133.06
12'	8+4	8FT STR + 4FT END	145.06
13'	8+5	8FT STR + 5FT END	157.06
14'	8+6	8FT STR + 6FT END	169.06
15'	8+7	8FT STR + 7FT END	181.06
16'	8+8	8FT STR + 8FT END	193.13
17'	8+5+4	8FT STR + 5FT INT + 4FT END	205.13
18'	8+6+4	8FT STR + 6FT INT + 4FT END	217.13
19'	8+7+4	8FT STR + 7FT INT + 4FT END	229.13
20'	8+8+4	8FT STR + 8FT INT + 4FT END	241.13
21'	8+8+5	8FT STR + 8FT INT + 5FT END	253.13
22'	8+8+6	8FT STR + 8FT INT + 6FT END	265.13
23'	8+8+7	8FT STR + 8FT INT + 7FT END	277.13
24'	8+8+8	8FT STR + 8FT INT + 8FT END	289.13
25'	8+8+5+4	8FT STR + 8FT INT + 5FT INT + 4FT END	301.19
26'	8+8+6+4	8FT STR + 8FT INT + 6FT INT + 4FT END	313.19
27'	8+8+7+4	8FT STR + 8FT INT + 7FT INT + 4FT END	325.19
28'	8+8+8+4	8FT STR + (2) 8FT INT + 4FT END	337.19
29'	8+8+8+5	8FT STR + (2) 8FT INT + 5FT END	349.19
30'	8+8+8+6	8FT STR + (2) 8FT INT + 6FT END	361.19
31'	8+8+8+7	8FT STR + (2) 8FT INT + 7FT END	373.19
32'	8+8+8+8	8FT STR + (2) 8FT INT + 8FT END	385.19
33'	8+8+8+5+4	8FT STR + (2) 8FT INT + 5FT INT + 4FT END	397.25
34'	8+8+8+6+4	8FT STR + (2) 8FT INT + 6FT INT + 4FT END	409.25
35'	8+8+8+7+4	8FT STR + (2) 8FT INT + 7FT INT + 4FT END	421.25
36'	8+8+8+8+4	8FT STR + (3) 8FT INT + 4FT END	433.25
37'	8+8+8+8+5	8FT STR + (3) 8FT INT + 5FT END	445.25
38'	8+8+8+8+6	8FT STR + (3) 8FT INT + 6FT END	457.25
39'	8+8+8+8+7	8FT STR + (3) 8FT INT + 7FT END	469.25
40'	8+8+8+8+8	8FT STR + (3) 8FT INT + 8FT END	481.25
41'	8+8+8+8+5+4	8FT STR + (3) 8FT INT + 5FT INT + 4FT END	493.31
42'	8+8+8+8+6+4	8FT STR + (3) 8FT INT + 6FT INT + 4FT END	505.31
43'	8+8+8+8+7+4	8FT STR + (3) 8FT INT + 7FT INT + 4FT END	517.31
44'	8+8+8+8+8+4	8FT STR + (4) 8FT INT + 4FT END	529.31
45'	8+8+8+8+8+5	8FT STR + (4) 8FT INT + 5FT END	541.31
46'	8+8+8+8+8+6	8FT STR + (4) 8FT INT + 6FT END	553.31
47'	8+8+8+8+8+7	8FT STR + (4) 8FT INT + 7FT END	565.31
48'	8+8+8+8+8+8	8FT STR + (4) 8FT INT + 8FT END	577.31
49'	8+8+8+8+8+5+4	8FT STR + (4) 8FT INT + 5FT INT + 4FT END	589.38
50'	8+8+8+8+8+6+4	8FT STR + (4) 8FT INT + 6FT INT + 4FT END	601.38

# Wet BionicPro | Linear

## Surface/Wall — WMC .75" Continuous Channel

### INSTALLATION INSTRUCTIONS



#### SYMMETRICAL

ROW LENGTH			TOTAL LENGTH WITH ENDCAPS AND ROW JOINER GASKET (INCHES)
9'	3+3+3	3FT STR + 3FT INT + 3FT END	109.13
10'	5+5	5FT STR + 5FT END	121.06
11'	4+3+4	4FT STR + 3FT INT + 4FT END	133.13
12'	6+6	6FT STR + 6FT END	145.06
13'	4+5+4	4FT STR + 5FT INT + 4FT END	157.13
14'	7+7	7FT STR + 7FT END	169.06
15'	5+5+5	5FT STR + 5FT INT + 5FT END	181.13
16'	8+8	8FT STR + 8FT END	193.06
17'	6+5+6	6FT STR + 5FT INT + 6FT END	205.13
18'	6+6+6	6FT STR + 6FT INT + 6FT END	217.13
19'	6+7+6	6FT STR + 7FT INT + 6FT END	229.13
20'	8+4+8	8FT STR + 4FT INT + 8FT END	241.13
21'	8+5+8	8FT STR + 5FT INT + 8FT END	253.13
22'	8+6+8	8FT STR + 6FT INT + 8FT END	265.13
23'	8+7+8	8FT STR + 7FT INT + 8FT END	277.13
24'	8+8+8	8FT STR + 8FT INT + 8FT END	289.13
25'	6+4+5+4+6	6FT STR + 4FT INT + 5FT INT + 4FT INT + 6FT END	301.25
26'	8+5+5+8	8FT STR + (2) 5FT INT + 8FT END	313.19
27'	6+5+5+5+6	6FT STR + (3) 5FT INT + 6FT END	325.25
28'	8+6+6+8	8FT STR + (2) 6FT INT + 8FT END	337.19
29'	8+4+5+4+8	8FT STR + 4FT INT + 5FT INT + 4FT INT + 8FT END	349.25
30'	8+7+7+8	8FT STR + (2) 7FT INT + 8FT END	361.19
31'	8+5+5+5+8	8FT STR + (3) 5FT INT + 8FT END	373.25
32'	8+8+8+8	8FT STR + (2) 8FT INT + 8FT END	385.19
33'	8+6+5+6+8	8FT STR + 6FT INT + 5FT INT + 6FT INT + 8FT END	397.25
34'	8+6+6+6+8	8FT STR + 6FT INT + 6FT INT + 6FT INT + 8FT END	409.25
35'	8+6+7+6+8	8FT STR + 6FT INT + 7FT INT + 6FT INT + 8FT END	421.25
36'	8+8+4+8+8	8FT STR + 8FT INT + 4FT INT + 8FT INT + 8FT END	433.25
37'	8+8+5+8+8	8FT STR + 8FT INT + 5FT INT + 8FT INT + 8FT END	445.25
38'	8+8+6+8+8	8FT STR + 8FT INT + 6FT INT + 8FT INT + 8FT END	457.25
39'	8+8+7+8+8	8FT STR + 8FT INT + 7FT INT + 8FT INT + 8FT END	469.25
40'	8+8+8+8+8	8FT STR + (3) 8FT INT + 8FT END	481.25
41'	8+6+4+5+4+6+8	8FT STR + 6FT INT + 4FT INT + 5FT INT + 4FT INT + 6FT INT + 8FT END	493.38
42'	8+8+5+5+8+8	8FT STR + 8FT INT + (2) 5FT INT + 8FT INT + 8FT END	505.31
43'	8+6+5+5+5+6+8	8FT STR + 6FT INT + (3) 5FT INT + 6FT INT + 8FT END	517.38
44'	8+8+6+6+8+8	8FT STR + 8FT INT + (2) 6FT INT + 8FT INT + 8FT END	529.31
45'	8+8+4+5+4+8+8	8FT STR + 8FT INT + 4FT INT + 5FT INT + 4FT INT + 8FT INT + 8FT END	541.38
46'	8+8+7+7+8+8	8FT STR + 8FT INT + (2) 7FT INT + 8FT INT + 8FT END	553.31
47'	8+8+5+5+5+8+8	8FT STR + 8FT INT + (3) 5FT INT + 8FT INT + 8FT END	565.38
48	8+8+8+8+8+8	8FT STR + (4) 8FT INT + 8FT END	577.31
49'	8+8+6+5+6+8+8	8FT STR + 8FT INT + 6FT INT + 5FT INT + 6FT INT + 8FT INT + 8FT END	589.38
50'	8+8+6+6+6+8+8	8FT STR + 8FT INT + (3) 6FT INT + 8FT INT + 8FT END	601.38

**WARNING:** Ground fixture in accordance with local and national electrical codes. Failure to do so may result in serious personal injury. Fixture Installations should ONLY be done by a qualified licensed electrical professional.

# Wet BionicPro | Linear

## Surface/Wall — WMC .75" Continuous Channel

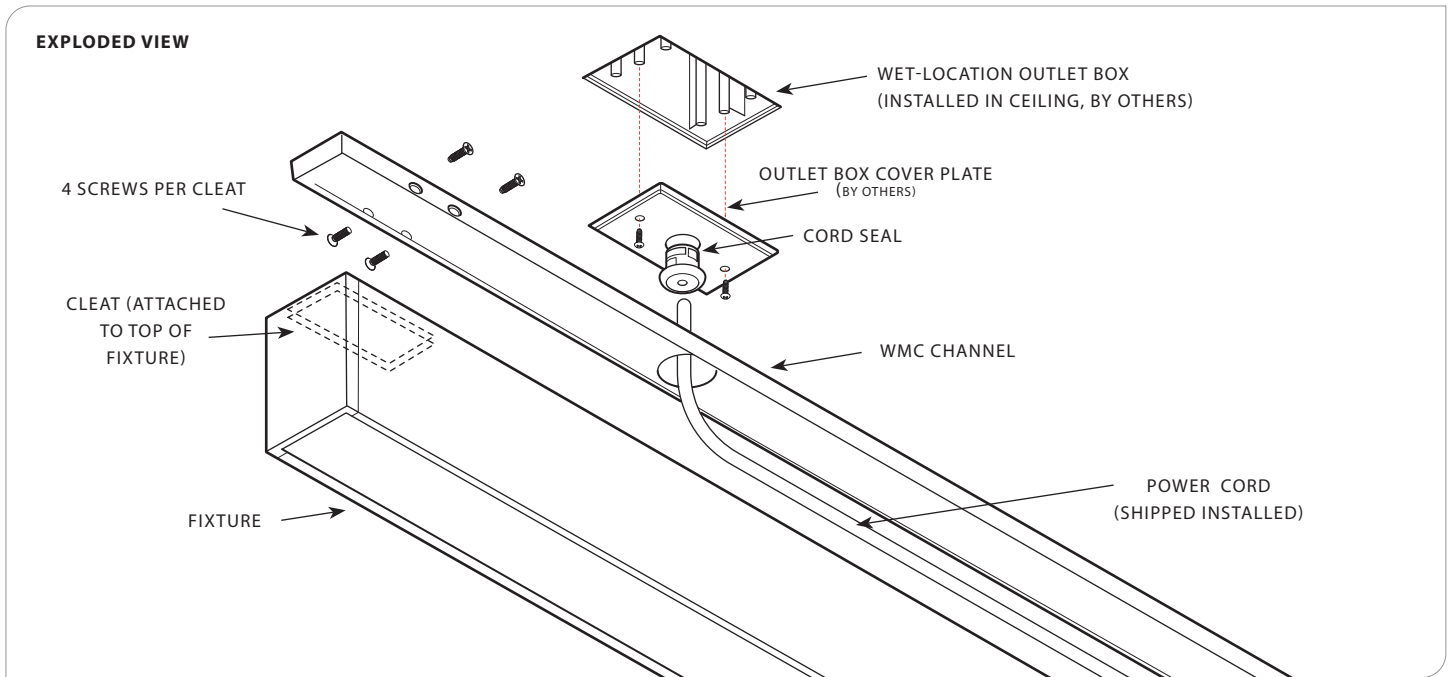
### INSTALLATION INSTRUCTIONS



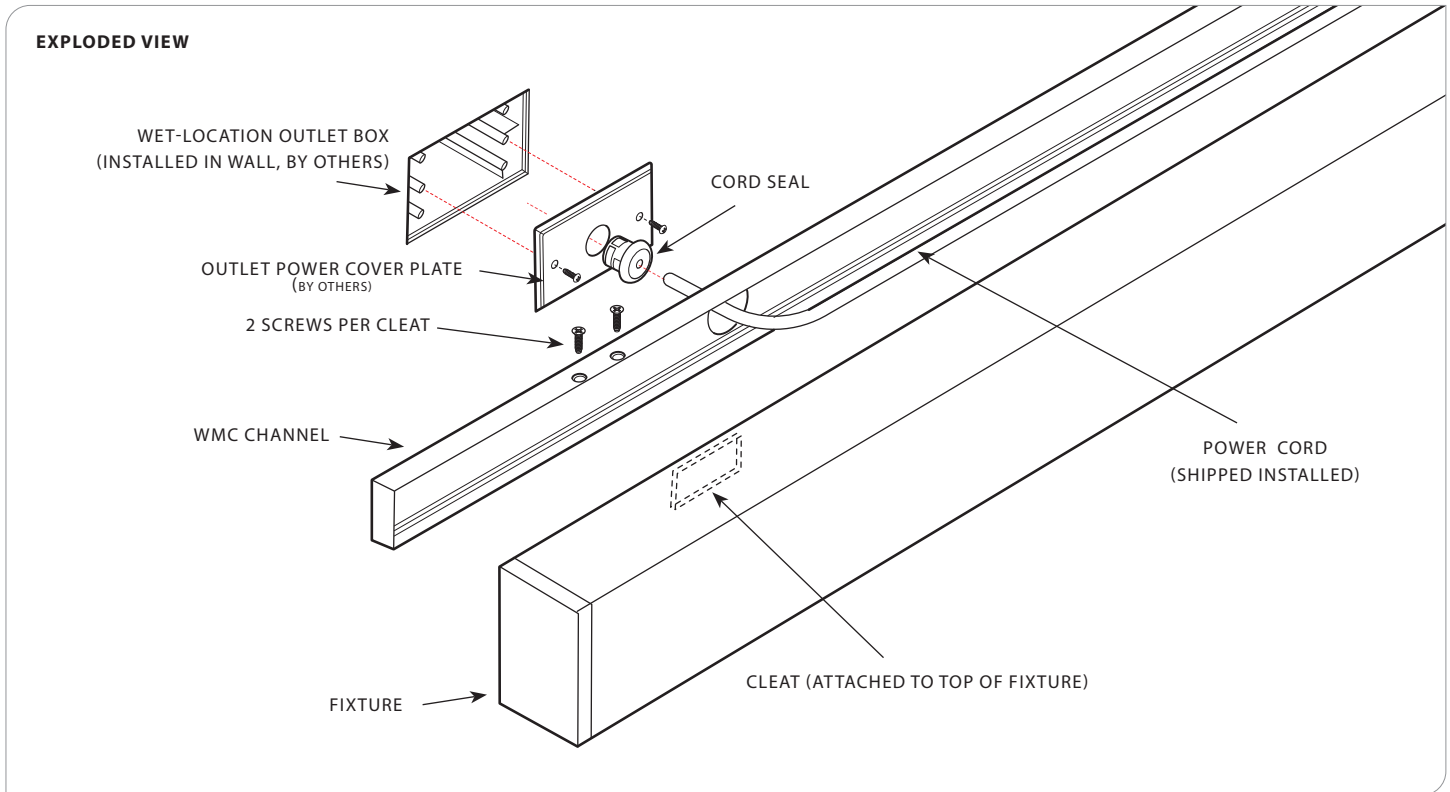
PRUDENTIAL LTG.

PRULITE.COM 213.746.0360

## SURFACE MOUNT



## WALL MOUNT



**WARNING:** Ground fixture in accordance with local and national electrical codes. Failure to do so may result in serious personal injury. Fixture installations should ONLY be done by a qualified licensed electrical professional.

**USA** Prudential Ltg. reserves the right to change design specifications or materials without notice. Please visit [prulite.com](http://prulite.com) for most current data. © 2026 All rights reserved—All products manufactured at: Prudential Ltg. 1774 E. 21<sup>st</sup> Street, Los Angeles, CA 90058

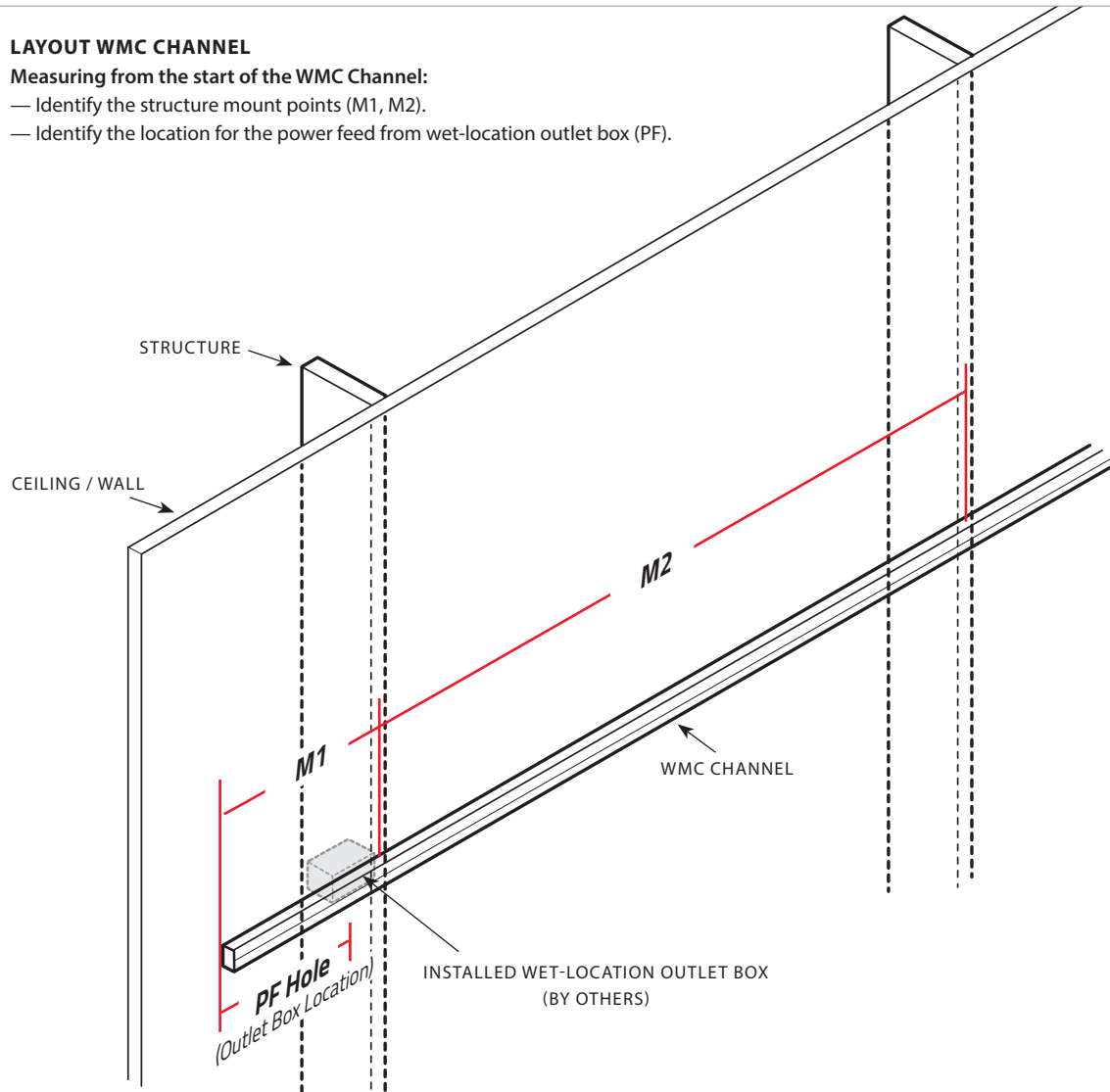


### INDIVIDUAL / START POWER FEED FIXTURE INSTALL

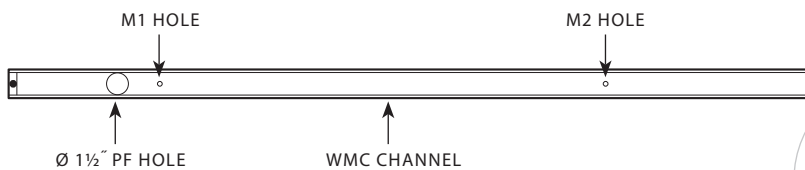
#### 1) LAYOUT WMC CHANNEL

Measuring from the start of the WMC Channel:

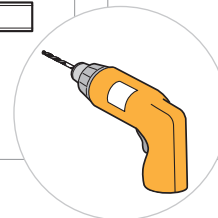
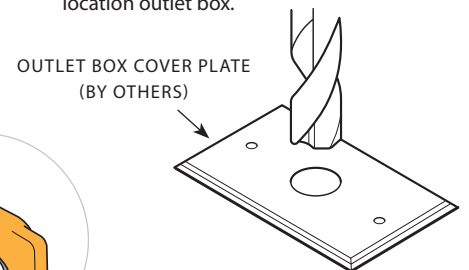
- Identify the structure mount points (M1, M2).
- Identify the location for the power feed from wet-location outlet box (PF).



- #### 2)
- Drill the M1/M2 holes at the identified locations from step #1. The hole size is dependent on the mounting hardware (by others).
  - Drill a  $\varnothing 1\frac{1}{2}$ " PF hole in the WMC channel at the identified location from Step #1.



- #### 3)
- Drill a  $\varnothing 0.875$ " hole in the cover plate from the pre-installed and flush mounted wet-location outlet box.



**WARNING:** Ground fixture in accordance with local and national electrical codes. Failure to do so may result in serious personal injury. Fixture Installations should ONLY be done by a qualified licensed electrical professional.

# Wet BionicPro | Linear Surface/Wall — WMC .75" Continuous Channel

## INSTALLATION INSTRUCTIONS



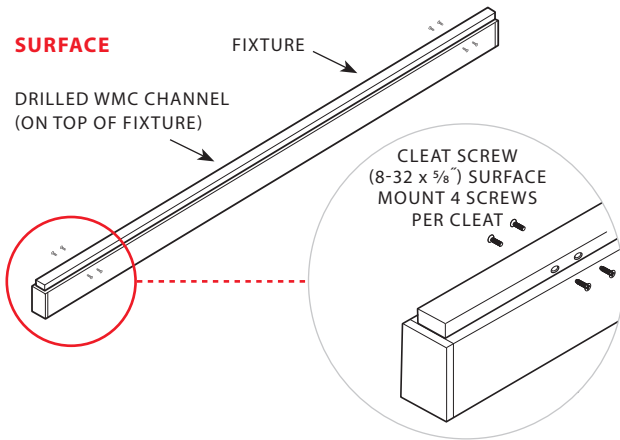
PRUDENTIAL LTG.

PRULITE.COM 213.746.0360

- 4a)** On the ground, loosely attach the WMC channel with the drilled  $\text{\O} 1\frac{1}{2}$ " hole and mounting holes to fixture, with 8-32 screws loosely attached into each of the two cleats. Surface fixtures will use four screws per cleat. Wall fixtures will use two screws per cleat.
- NOTE:** The cord may need to be trimmed to fit in the WMC Channel depending on the length of the fixture.

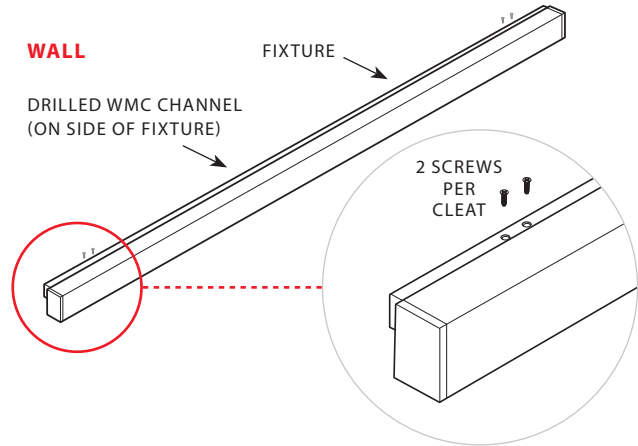
### SURFACE

DRILLED WMC CHANNEL  
(ON TOP OF FIXTURE)

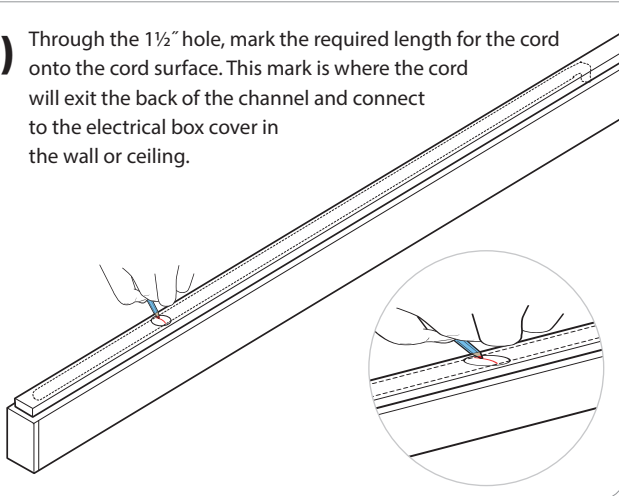


### WALL

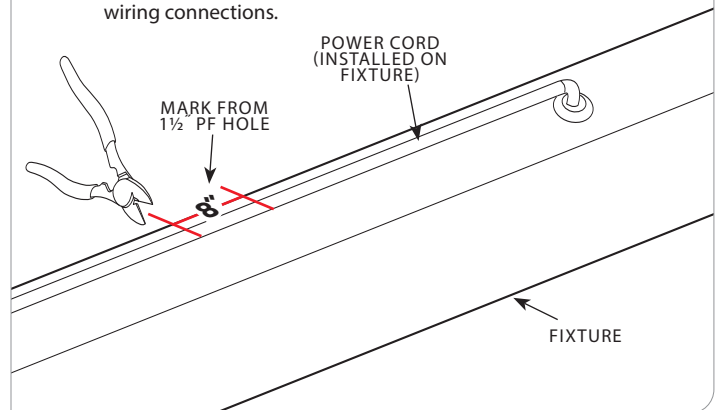
DRILLED WMC CHANNEL  
(ON SIDE OF FIXTURE)



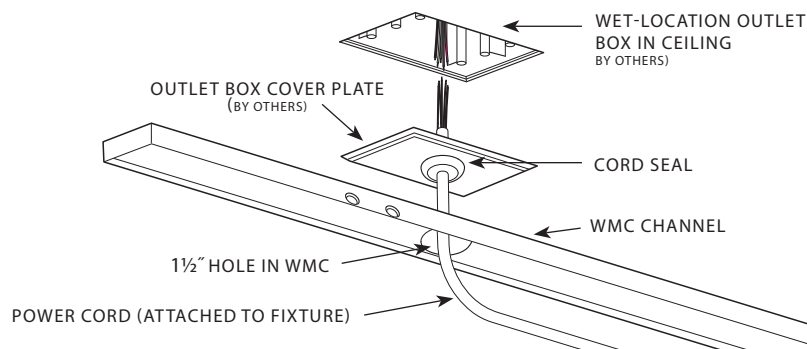
- 4b)** Through the  $1\frac{1}{2}$ " hole, mark the required length for the cord onto the cord surface. This mark is where the cord will exit the back of the channel and connect to the electrical box cover in the wall or ceiling.



- 5)** Remove the WMC channel from the fixture and cut the cord to length, adding 8" to the mark on the cord to make wiring connections.



- 6)** Feed the cut end of the power cord through the  $1\frac{1}{2}$ " hole in the WMC channel. Insert the end of the power cord through the cord seal, and snap cord seal into  $\frac{7}{8}$ " hole in cover plate of water-tight electrical box.



**WARNING:** Ground fixture in accordance with local and national electrical codes. Failure to do so may result in serious personal injury. Fixture installations should ONLY be done by a qualified licensed electrical professional.

# Wet BionicPro | Linear

## Surface/Wall — WMC .75" Continuous Channel

### INSTALLATION INSTRUCTIONS



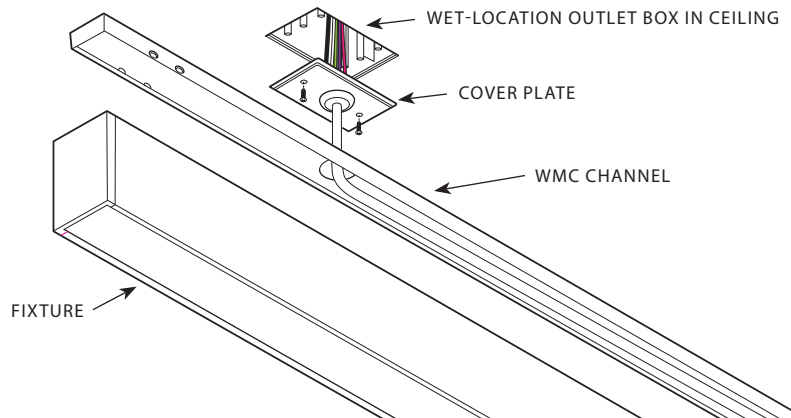
PRUDENTIAL LTG.

PRULITE.COM 213.746.0360

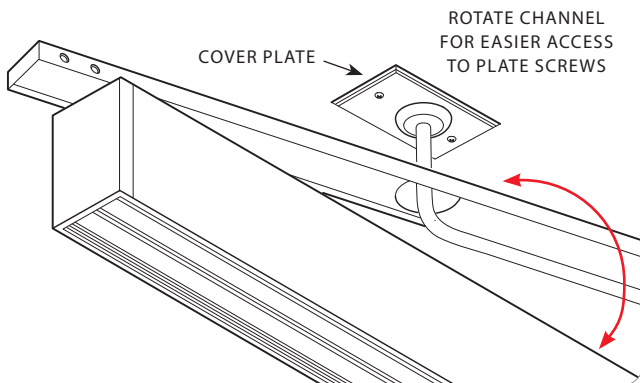
**7)** Lift the fixture and WMC channel near the ceiling and make the wire connections.

**WIRING:**

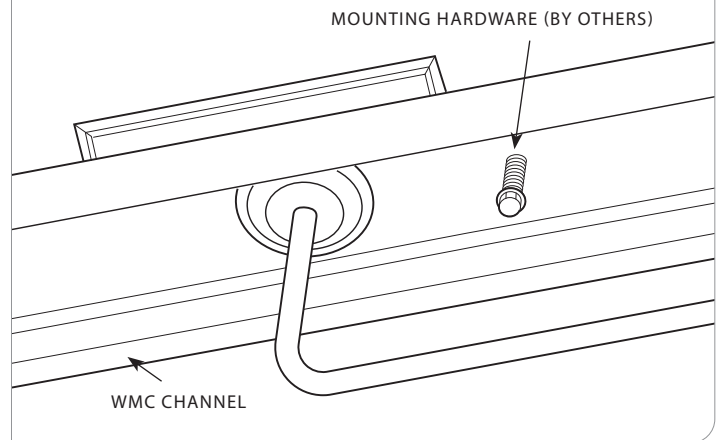
0-10V (+) : PURPLE	0-10V (-) : PINK
DALI (+) : PURPLE	DALI (-) : PINK
EcoSystem DALI (+) : PURPLE	EcoSystem DALI (-) : PINK
HOT : BLACK	
NEUTRAL : WHITE	
GROUND : GREEN	
CONSTANT HOT (EM) : RED	



**8)** Attach the cover plate to the watertight junction box. (You can rotate the WMC channel to make room for the screw connection on the cover plate).

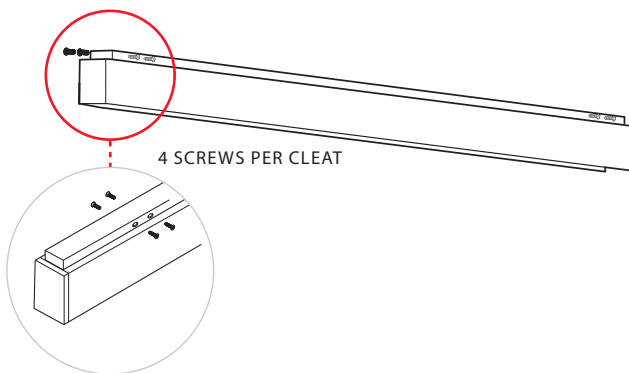


**9)** Lower the fixture and attach the WMC channel to structure.

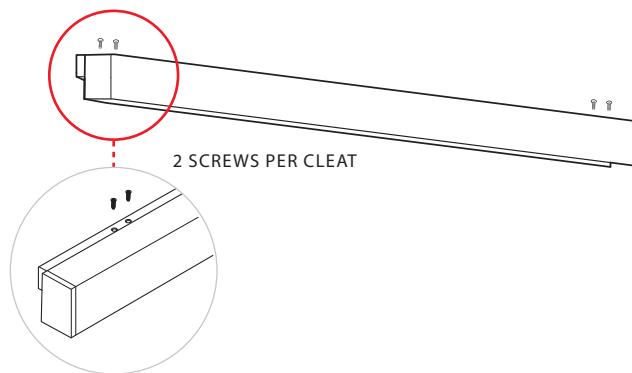


**10)** Lift the fixture up to the installed channel and install cleat screws through WMC channel's factory drilled holes and into the factory installed cleats. Tighten screws to channel.

**SURFACE**



**WALL**



**WARNING:** Ground fixture in accordance with local and national electrical codes. Failure to do so may result in serious personal injury. Fixture Installations should ONLY be done by a qualified licensed electrical professional.

# Wet BionicPro | Linear Surface/Wall — WMC .75" Continuous Channel

## INSTALLATION INSTRUCTIONS



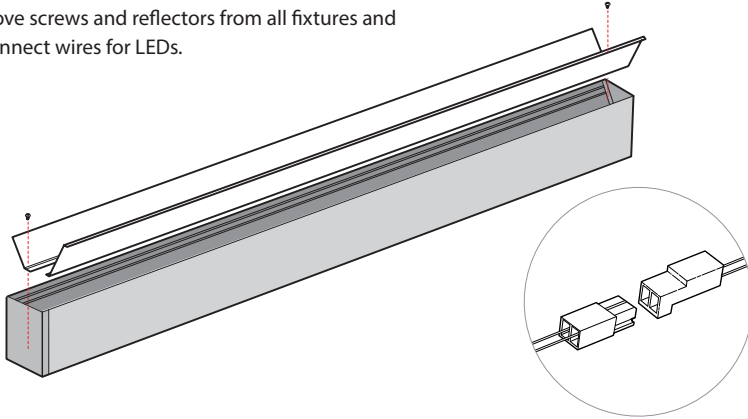
PRUDENTIAL LTG.

PRULITE.COM 213.746.0360

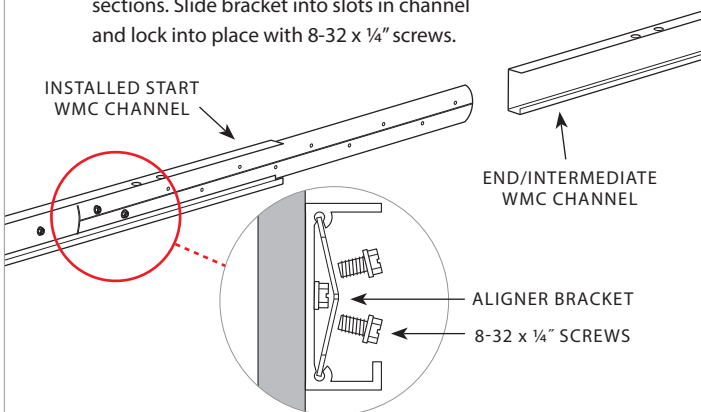
### WMC WALL ROW FIXTURE INSTALL

**⚠ DO NOT BUILD ROWS ON FLOOR TO HOIST** **👤👤 REQUIRES TWO PEOPLE TO INSTALL** **POWER CORD SHIPPED ATTACHED**

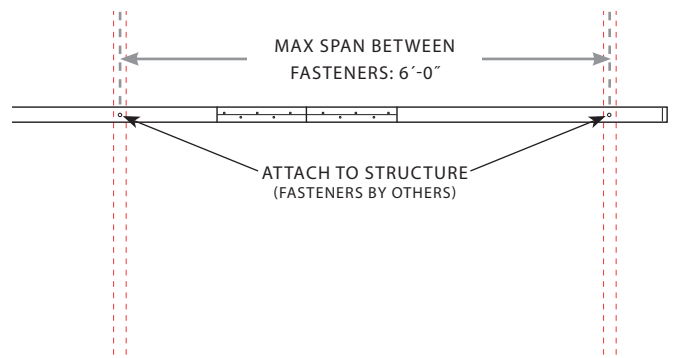
- 1)** Remove screws and reflectors from all fixtures and disconnect wires for LEDs.



- 2)** Continue to layout the next Intermediate or End WMC Channel section, using the channel aligner bracket to align channel sections. Slide bracket into slots in channel and lock into place with 8-32 x 1/4" screws.

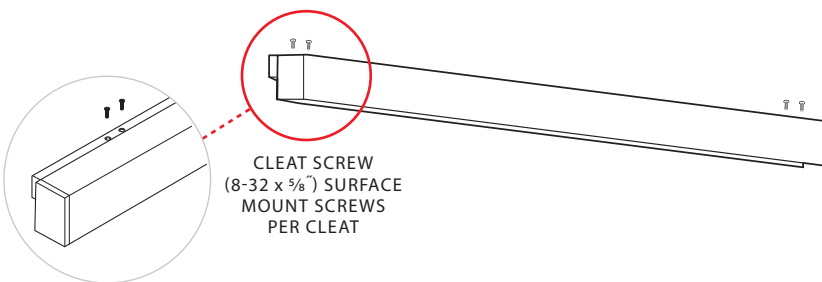


- 3)** Attach WMC channel to structure — if using the aligner bracket to span between connection points, max span is 6'-0". Continue installation of WMC channel until complete.



- 4)** Lift the start fixture up to the installed channel and install cleat screws through WMC channel's factory drilled holes and into the factory installed cleats.

#### WALL



- 5)** Continue to row joining steps.

**WARNING:** Ground fixture in accordance with local and national electrical codes. Failure to do so may result in serious personal injury. Fixture Installations should ONLY be done by a qualified licensed electrical professional.

# Wet BionicPro | Linear

## Surface/Wall — WMC .75" Continuous Channel

### INSTALLATION INSTRUCTIONS



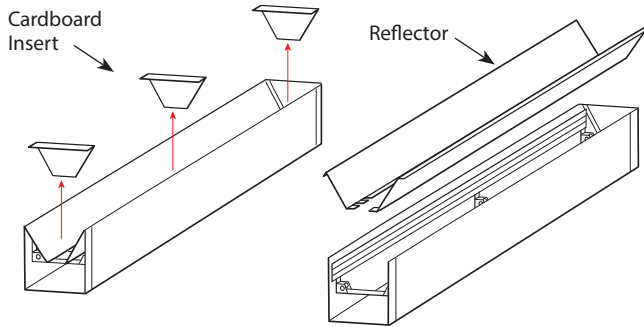
PRUDENTIAL LTG.

PRULITE.COM 213.746.0360

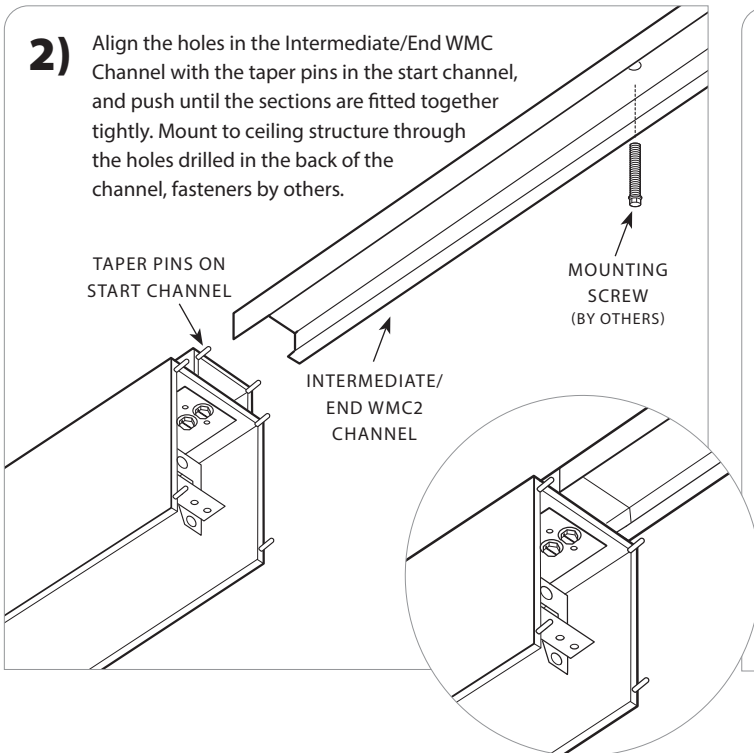
## WMC SURFACE ROW FIXTURE INSTALL

**⚠ DO NOT BUILD ROWS ON FLOOR TO HOIST** **👤👤 REQUIRES TWO PEOPLE TO INSTALL** **POWER CORD SHIPPED ATTACHED**

- 1)** Remove cardboard inserts and reflectors.  
Leave LED assembly in place.

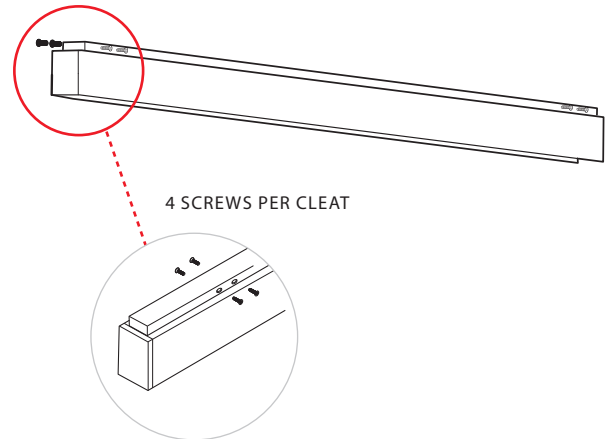


- 2)** Align the holes in the Intermediate/End WMC Channel with the taper pins in the start channel, and push until the sections are fitted together tightly. Mount to ceiling structure through the holes drilled in the back of the channel, fasteners by others.



- 3)** Lift the fixture up to the installed channel and install cleat screws through WMC channel's factory drilled holes and into the factory installed cleats. Tighten screws to channel.

### SURFACE



**WARNING:** Ground fixture in accordance with local and national electrical codes. Failure to do so may result in serious personal injury. Fixture Installations should ONLY be done by a qualified licensed electrical professional.

# Wet BionicPro | Linear

## Surface/Wall — WMC .75" Continuous Channel

### INSTALLATION INSTRUCTIONS



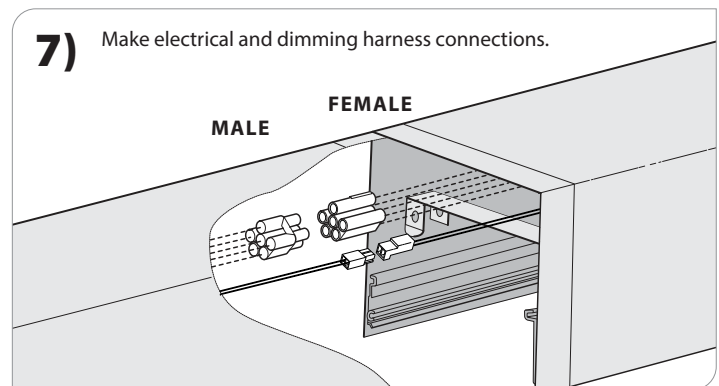
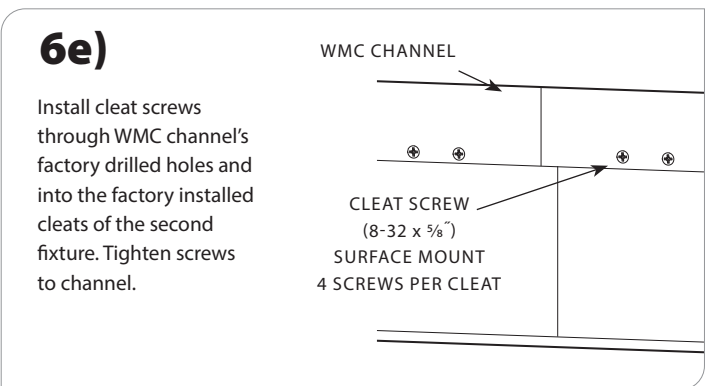
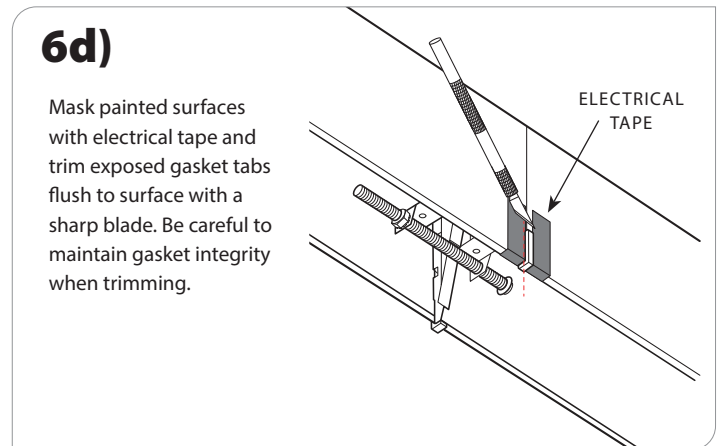
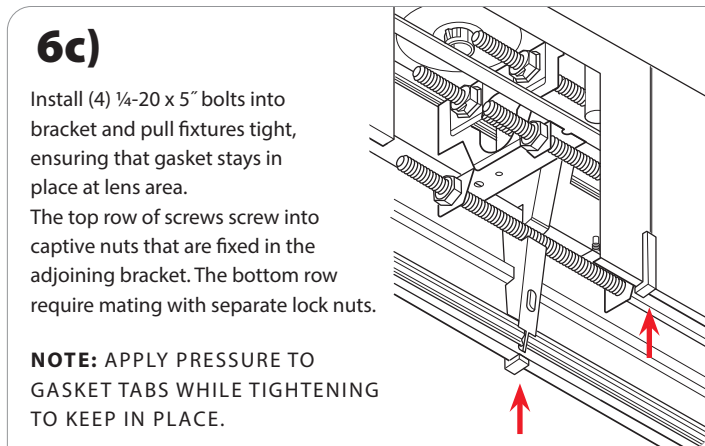
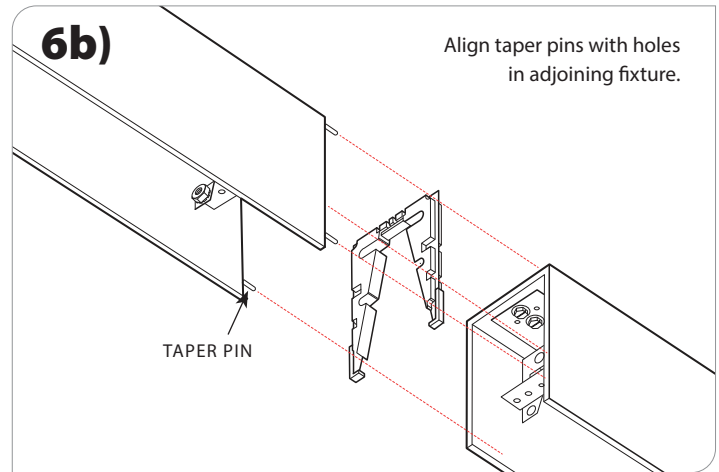
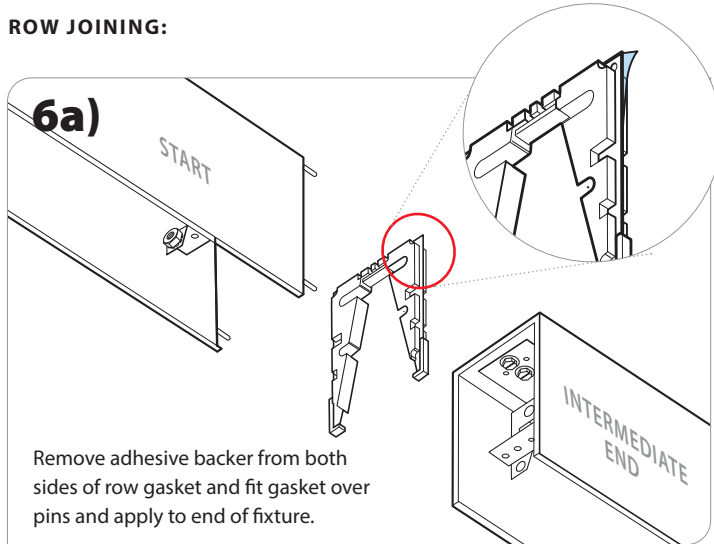
PRUDENTIAL LTG.

PRULITE.COM 213.746.0360

## ROW FIXTURE INSTALL

**⚠ DO NOT BUILD ROWS ON FLOOR TO HOIST** **👤👤 REQUIRES TWO PEOPLE TO INSTALL** **CORD SHIPPED INSTALLED**

### ROW JOINING:



**WARNING:** Ground fixture in accordance with local and national electrical codes. Failure to do so may result in serious personal injury. Fixture Installations should ONLY be done by a qualified licensed electrical professional.

# Wet BionicPro | Linear Surface/Wall — WMC .75" Continuous Channel

## INSTALLATION INSTRUCTIONS



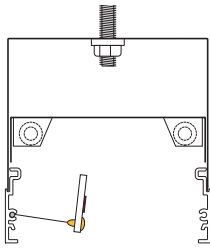
PRUDENTIAL LTG.

PRULITE.COM 213.746.0360

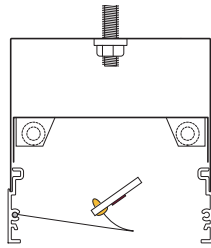
### ROW FIXTURE INSTALL

**⚠ DO NOT BUILD ROWS ON FLOOR TO HOIST** **👤👤 REQUIRES TWO PEOPLE TO INSTALL** **POWER CORD SHIPPED ATTACHED**

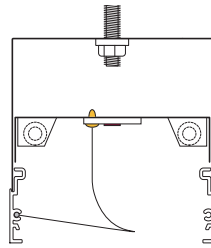
**8a)**



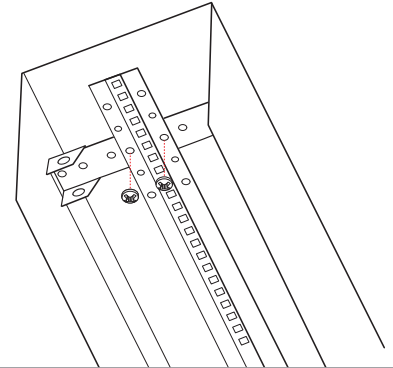
**1. REMOVE LED ASSEMBLY**



**2. ROTATE LED ASSEMBLY**



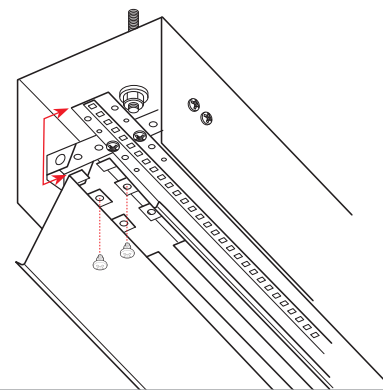
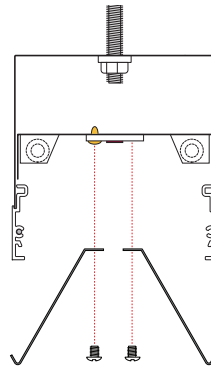
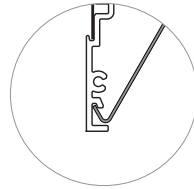
**3. INSERT LED ASSEMBLY AGAINST STIFFENER**



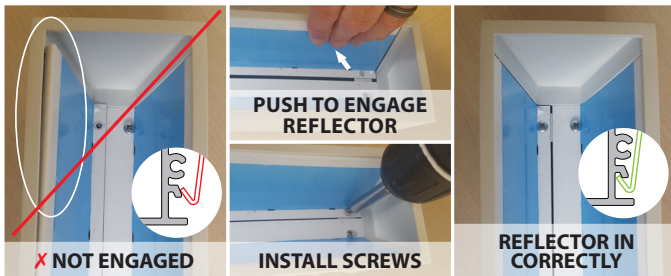
**8b)**

Install reflectors to fixture by attaching them to LED assembly using screws. Reflectors should be flush with end of LED assembly. Tuck wiring behind first installed reflector before installing the second.

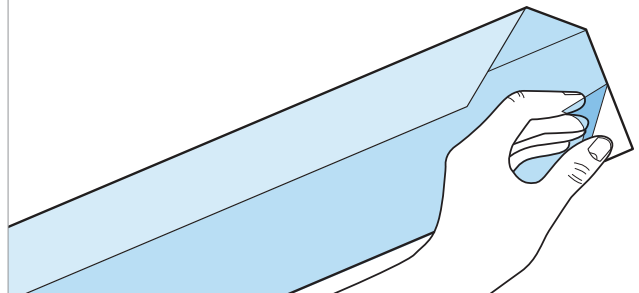
Reflectors should be flush with end of LED assembly.



**9)** Snap reflectors into place.



**10)** Peel blue protective covering off reflectors.



**WARNING:** Ground fixture in accordance with local and national electrical codes. Failure to do so may result in serious personal injury. Fixture Installations should ONLY be done by a qualified licensed electrical professional.

# Wet BionicPro | Linear

Surface/Wall — WMC .75" Continuous Channel

## INSTALLATION INSTRUCTIONS

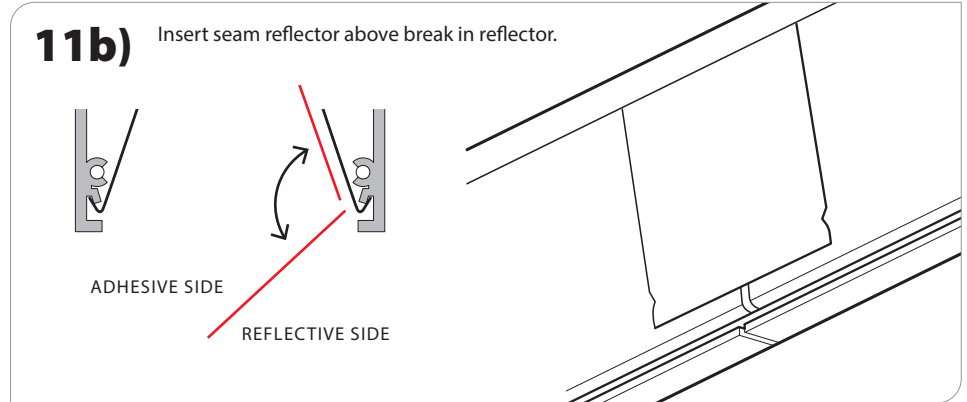
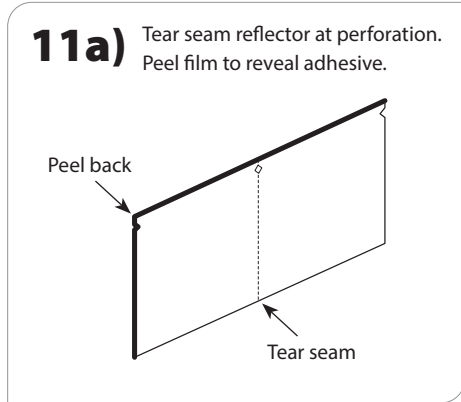
### ROW FIXTURE INSTALL



PRUDENTIAL LTG.

PRULITE.COM 213.746.0360

**⚠ DO NOT BUILD ROWS ON FLOOR TO HOIST** **👤👤 REQUIRES TWO PEOPLE TO INSTALL** **POWER CORD SHIPPED ATTACHED**



**WARNING:** Ground fixture in accordance with local and national electrical codes. Failure to do so may result in serious personal injury. Fixture Installations should ONLY be done by a qualified licensed electrical professional.

**US★** Prudential Ltg. reserves the right to change design specifications or materials without notice. Please visit [prulite.com](http://prulite.com) for most current data. © 2026 All rights reserved—All products manufactured at: Prudential Ltg. 1774 E. 21<sup>st</sup> Street, Los Angeles, CA 90058

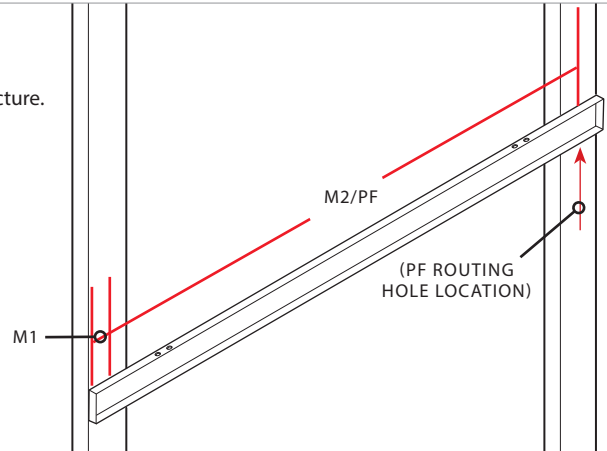


### MOUNTING ON VERTICAL MULLIONS

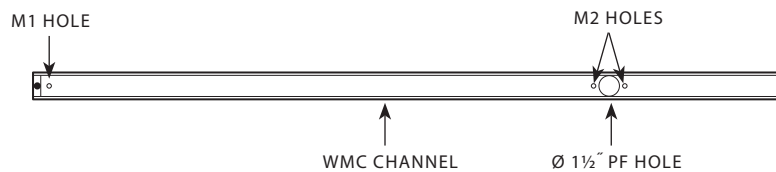
#### 1) LAYOUT WMC CHANNEL

Measuring from the start of the WMC Channel:

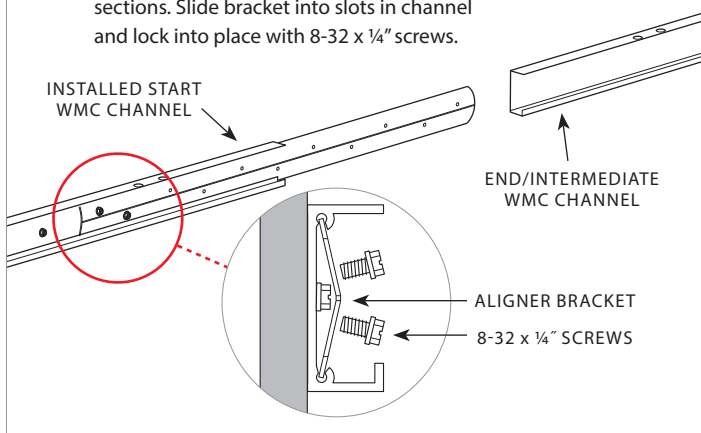
- Identify the mounting points (M1, M2), centered on the mullion structure.
- Identify the location for the power feed (PF) opening in mullion for routing cord to wet-location outlet box (by others).



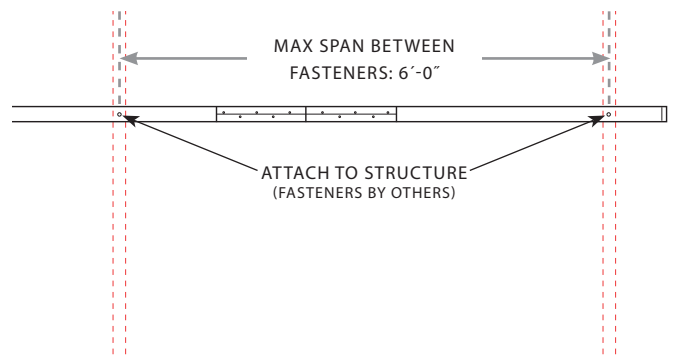
- #### 2)
- Drill the M1/M2 holes at the identified locations from step #1. The hole size is dependent on the mounting hardware (by others). Exact location of mounting holes depend on PF location.
  - Drill a  $\varnothing 1\frac{1}{2}$ " PF hole in the WMC channel at the identified location from Step #1.



- #### 3)
- Continue to layout the next Intermediate or End WMC Channel section, using the channel aligner bracket to align channel sections. Slide bracket into slots in channel and lock into place with 8-32 x 1/4" screws.



- #### 4)
- Attach WMC channel to structure — if using the aligner bracket to span between connection points, max span is 6'-0". Continue installation of WMC channel until complete.

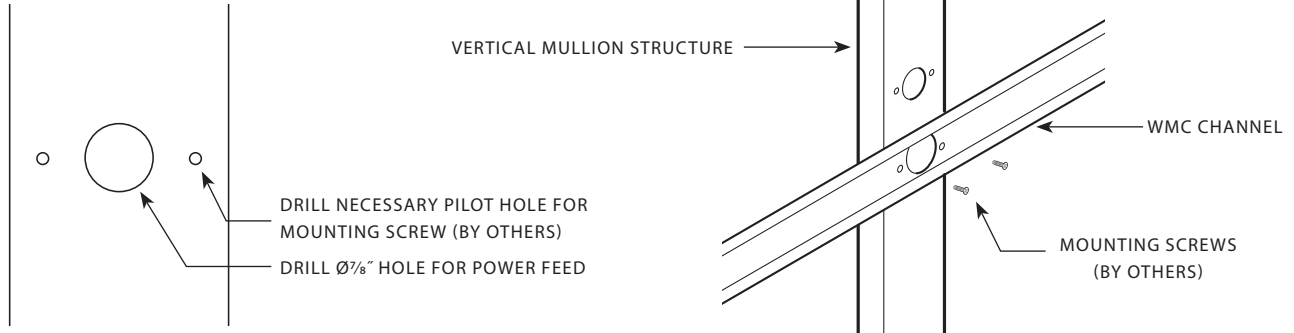


**WARNING:** Ground fixture in accordance with local and national electrical codes. Failure to do so may result in serious personal injury. Fixture Installations should ONLY be done by a qualified licensed electrical professional.

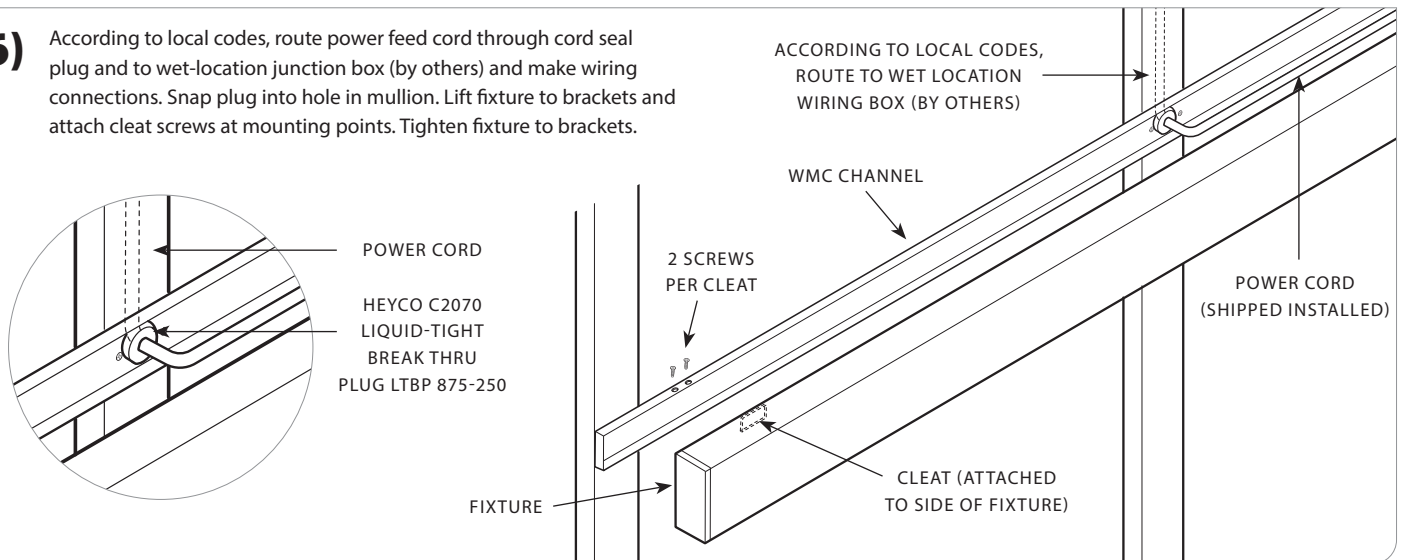


### MOUNTING ON VERTICAL MULLIONS

**5)** Mark and drill  $\varnothing.875"$  power feed hole and mounting holes for fasteners (by others).



**6)** According to local codes, route power feed cord through cord seal plug and to wet-location junction box (by others) and make wiring connections. Snap plug into hole in mullion. Lift fixture to brackets and attach cleat screws at mounting points. Tighten fixture to brackets.



**WARNING:** Ground fixture in accordance with local and national electrical codes. Failure to do so may result in serious personal injury. Fixture installations should ONLY be done by a qualified licensed electrical professional.

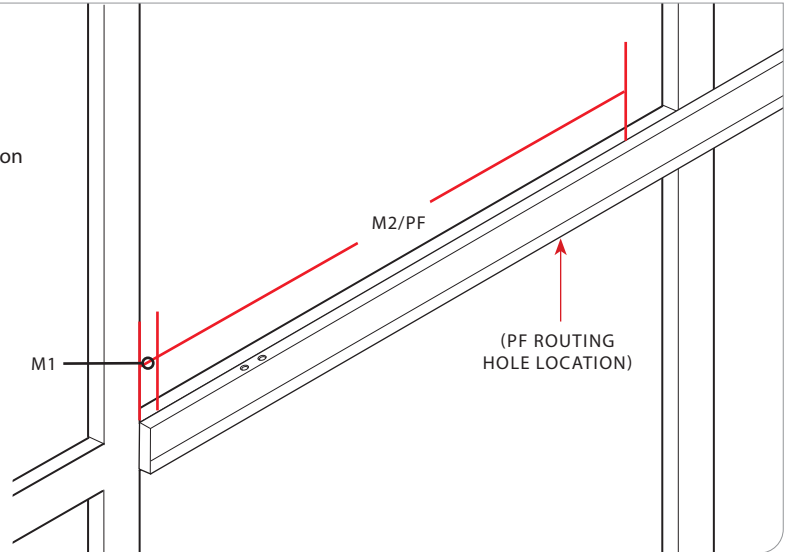


## MOUNTING ON HORIZONTAL MULLIONS

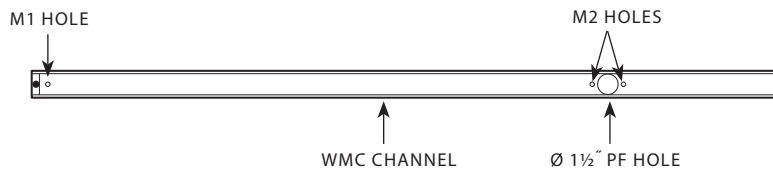
### 1) LAYOUT WMC CHANNEL

Measuring from the start of the WMC Channel:

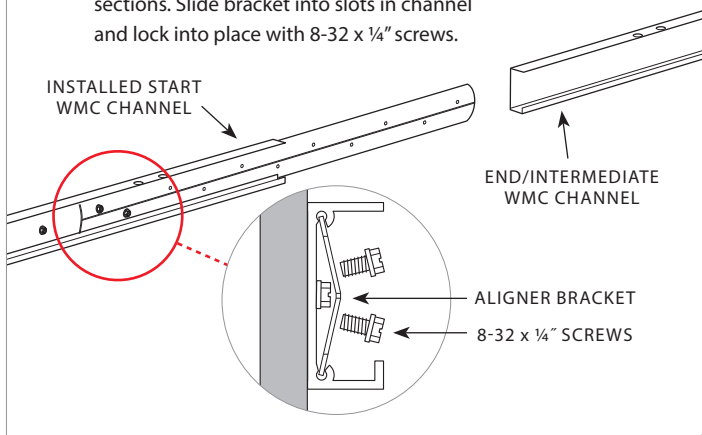
- Identify the mounting points (M1, M2), located on the mullion structure.
- Identify the location for the power feed (PF) opening in mullion for routing cord to wet-location outlet box (by others). Drill  $\varnothing 0.875"$  hole for power feed into mullion structure.



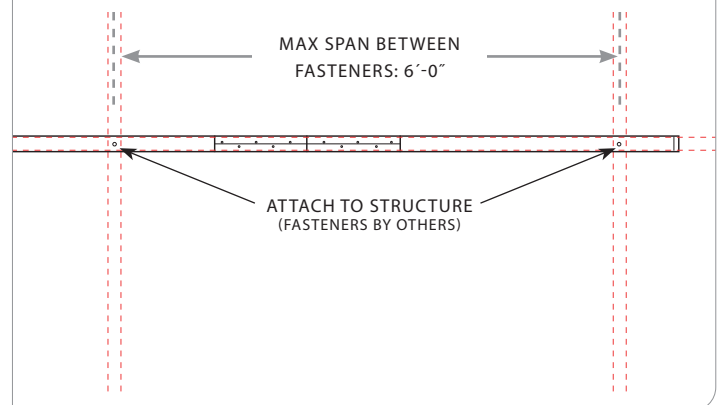
- ### 2)
- Drill the M1/M2 holes at the identified locations from step #1. The hole size is dependent on the mounting hardware (by others). Exact location of mounting holes depend on PF location.
  - Drill a  $\varnothing 1\frac{1}{2}"$  PF hole in the WMC channel at the identified location from Step #1.



- ### 3)
- Continue to layout the next Intermediate or End WMC Channel section, using the channel aligner bracket to align channel sections. Slide bracket into slots in channel and lock into place with 8-32 x  $\frac{1}{4}"$  screws.



- ### 4)
- Attach WMC channel to structure — if using the aligner bracket to span between connection points, max span is 6'-0". Continue installation of WMC channel until complete.



**WARNING:** Ground fixture in accordance with local and national electrical codes. Failure to do so may result in serious personal injury. Fixture Installations should ONLY be done by a qualified licensed electrical professional.



### MOUNTING ON HORIZONTAL MULLIONS

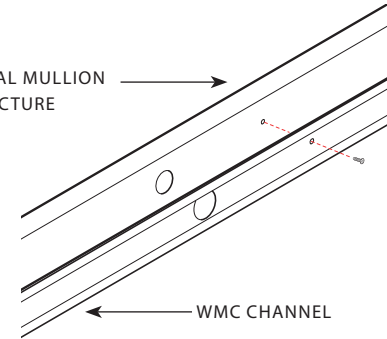
- 5)** Mark and drill  $\varnothing.875$ " power feed hole and mounting holes for fasteners (by others).



DRILL  $\varnothing.875$ " HOLE FOR POWER FEED

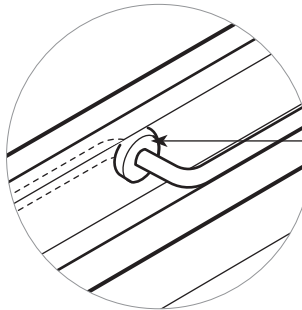
DRILL MOUNTING HOLE FOR FASTENER (BY OTHERS) AS REQUIRED

HORIZONTAL MULLION STRUCTURE



WMC CHANNEL

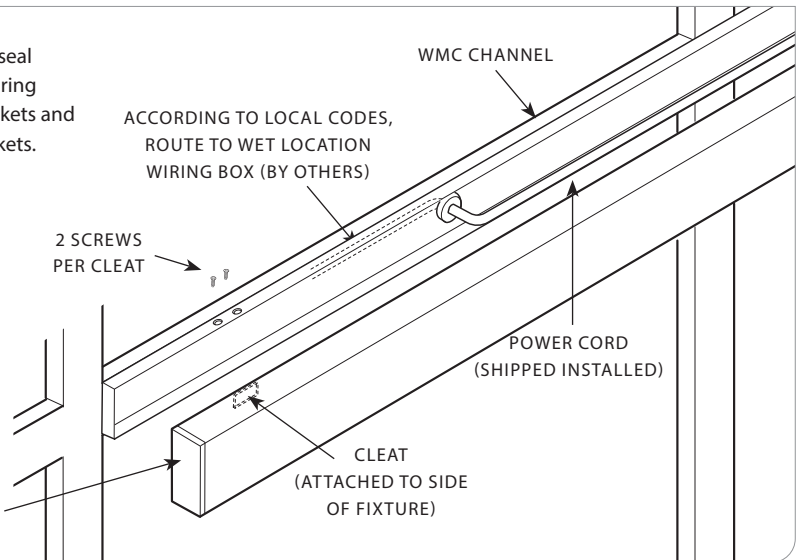
- 6)** According to local codes, route power feed cord through cord seal plug and to wet-location junction box (by others) and make wiring connections. Snap plug into hole in mullion. Lift fixture to brackets and attach cleat screws at mounting points. Tighten fixture to brackets.



HEYCO C2070 LIQUID-TIGHT BREAK THRU PLUG LTBP 875-250

ACCORDING TO LOCAL CODES, ROUTE TO WET LOCATION WIRING BOX (BY OTHERS)

2 SCREWS PER CLEAT



WMC CHANNEL

POWER CORD (SHIPPED INSTALLED)

CLEAT (ATTACHED TO SIDE OF FIXTURE)

FIXTURE

**WARNING:** Ground fixture in accordance with local and national electrical codes. Failure to do so may result in serious personal injury. Fixture installations should ONLY be done by a qualified licensed electrical professional.



# Wet BionicPro | Linear Surface/Wall — WMC .75" Continuous Channel

## INSTALLATION INSTRUCTIONS

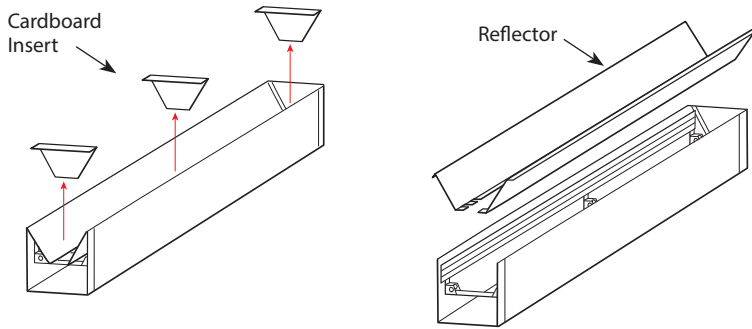


PRUDENTIAL LTG.

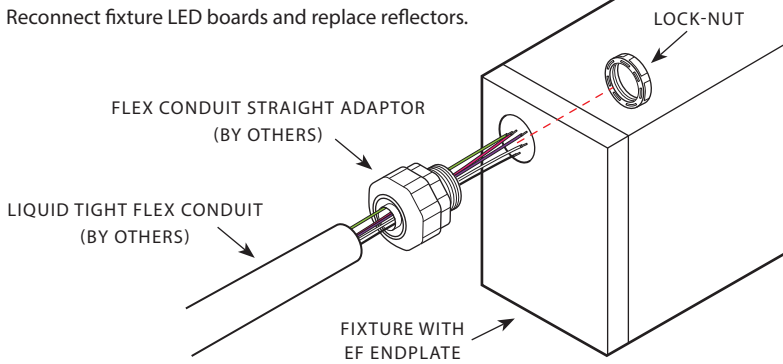
PRULITE.COM 213.746.0360

### END FEED (EF) INSTALLTION

- 1)** Remove cardboard inserts and reflectors.  
Leave LED assembly in place.

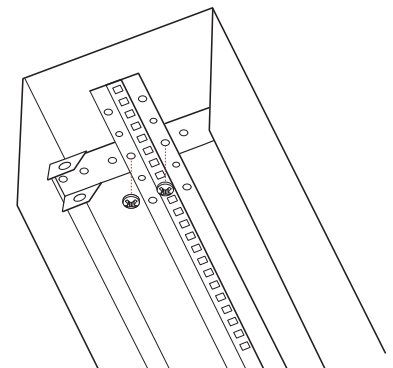


- 2a)** Fasten Liquid-tight flexible metal conduit adapter to opening in EF endplate, making a water-tight seal with the fitting. Insert flex conduit wires through adapter and fasten flex to fitting. Make wiring connections to fixture. Reconnect fixture LED boards and replace reflectors.



- 2b)** Route Liquid-tight flex conduit to wet-location electrical box (by others) and make wiring connections. Proceed to lens installation steps on page 12.

- 3a)**
- 1. REMOVE LED ASSEMBLY**
  - 2. ROTATE LED ASSEMBLY**
  - 3. INSERT LED ASSEMBLY AGAINST STIFFENER**



**WARNING:** Ground fixture in accordance with local and national electrical codes. Failure to do so may result in serious personal injury. Fixture Installations should ONLY be done by a qualified licensed electrical professional.

# Wet BionicPro | Linear

## Surface/Wall — WMC .75" Continuous Channel

### INSTALLATION INSTRUCTIONS



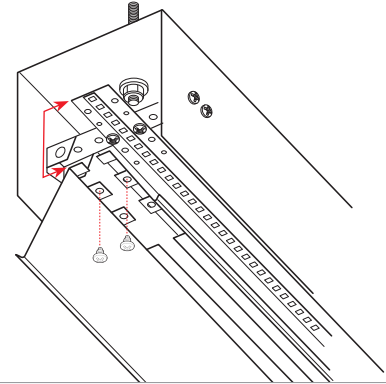
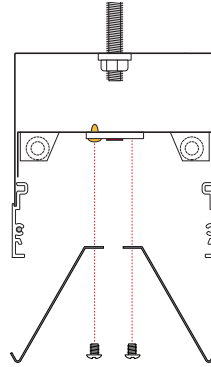
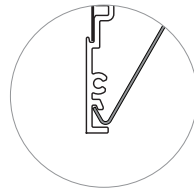
PRUDENTIAL LTG.

PRULITE.COM 213.746.0360

## END FEED (EF) INSTALLTION

- 3b)** Install reflectors to fixture by attaching them to LED assembly using screws. Reflectors should be flush with end of LED assembly. Tuck wiring behind first installed reflector before installing the second.

Reflectors should be flush with end of LED assembly.



- 4)** Route Liquid-Tight flex conduit to wet-location electrical box (by others) and make wiring connections. Proceed to lens installation steps on page 18.

#### WIRING:

0-10V (+): PURPLE      0-10V (-): PINK

DALI (+): PURPLE      DALI (-): PINK

EcoSystem DALI (+): PURPLE      EcoSystem DALI (-): PINK

HOT : BLACK

NEUTRAL : WHITE

GROUND : GREEN

CONSTANT HOT (EM) : RED

**WARNING:** Ground fixture in accordance with local and national electrical codes. Failure to do so may result in serious personal injury. Fixture Installations should ONLY be done by a qualified licensed electrical professional.



Prudential Ltg. reserves the right to change design specifications or materials without notice. Please visit [prulite.com](http://prulite.com) for most current data.  
© 2026 All rights reserved—All products manufactured at: Prudential Ltg. 1774 E. 21<sup>st</sup> Street, Los Angeles, CA 90058



INSTALLATION  
VIDEO



PRUDENTIAL LTG.

PRULITE.COM 213.746.0360

## LENS INSTALLATION

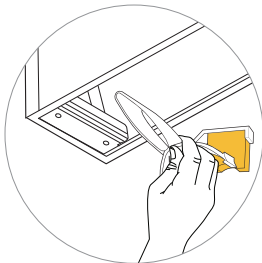
**REQUIRES TWO PEOPLE TO INSTALL**

**⚠️ PRIOR TO INSTALLING LENS, ENERGIZE LEDS AND CONFIRM ALL ARE PROPERLY LIT BEFORE INSTALLING LENS**

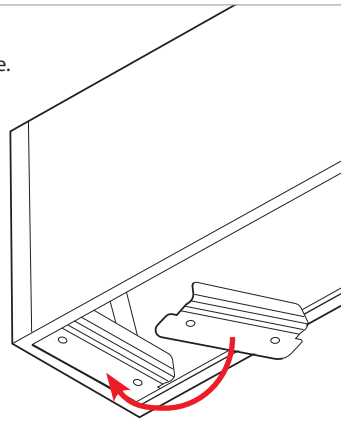
**RECOMMENDED:** Start lens installation from *LEFT* to *RIGHT*.



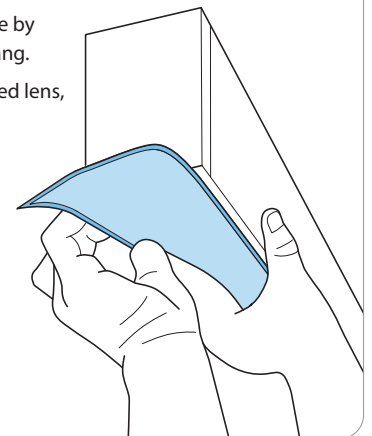
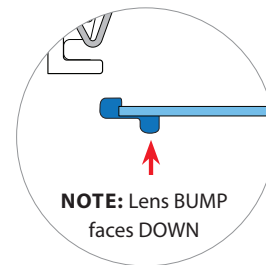
**1)** Insert clamp brackets at the **START** and **END** of the fixture.



Use handle of 'Lens Tool' to tap bracket into place



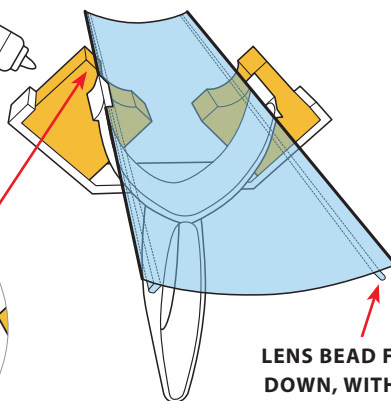
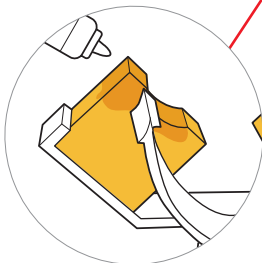
**2)** Insert lens into start of fixture by hand with an extra 3" overhang. Squeeze one edge of gasketed lens, then the other.



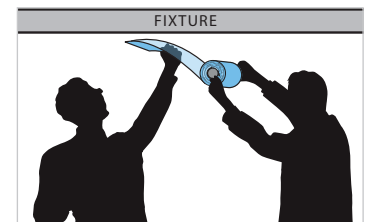
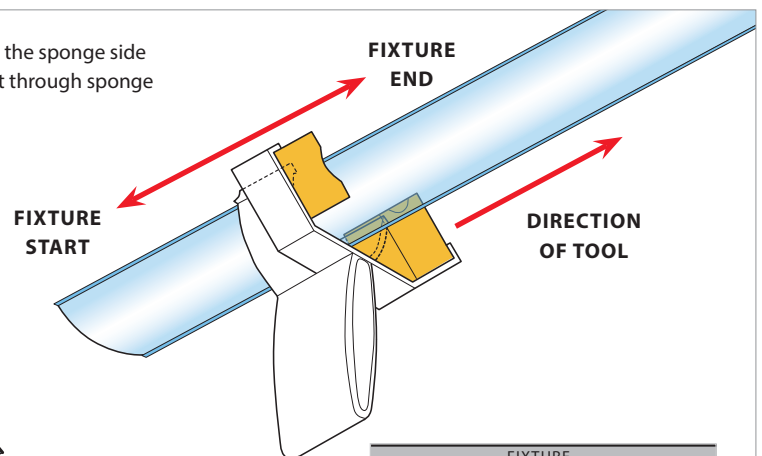
**3)** With lens partially inserted into fixture, snap lens into lens tool with the sponge side of tool facing the opposite end of fixture. Guide edges of lens gasket through sponge grooves. Apply lens lube liberally to sponge grooves on both sides.

Lens Lube

**APPLY LENS LUBE TO SPONGE IN GROOVED AREAS**



**LENS BEAD FACING DOWN, WITH LENS BOWED OUT**



**WARNING:** Ground fixture in accordance with local and national electrical codes. Failure to do so may result in serious personal injury. Fixture Installations should **ONLY** be done by a qualified licensed electrical professional.



Prudential Ltg. reserves the right to change design specifications or materials without notice. Please visit [prulite.com](http://prulite.com) for most current data. © 2026 All rights reserved—All products manufactured at: Prudential Ltg. 1774 E. 21<sup>st</sup> Street, Los Angeles, CA 90058

# Wet BionicPro | Linear Surface/Wall — WMC .75" Continuous Channel

## INSTALLATION INSTRUCTIONS



INSTALLATION  
VIDEO



PRUDENTIAL LTG.

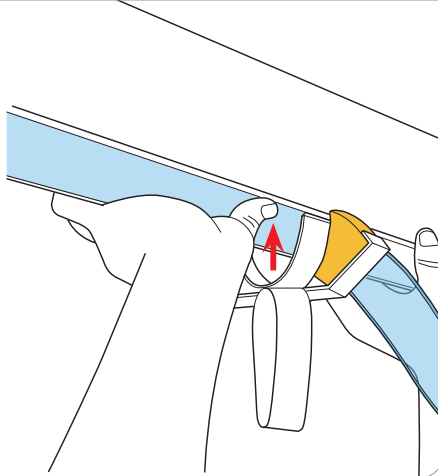
PRULITE.COM 213.746.0360

## LENS INSTALLATION

**REQUIRES TWO PEOPLE TO INSTALL**

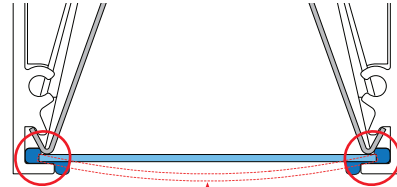
### 4a)

With lens inserted into tool, squeeze and push tool tabs into slots in fixture opening.



### 4b)

Apply pressure to the middle of the lens where it is bowed out. This will push the gasket into the lens slot. Ensure that the gasket is pressed firmly against the inside fixture lip.

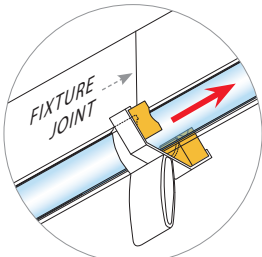


PUSH LENS FLAT WHERE IT IS BOWED OUT  
GASKET BEAD MUST BE PRESSED UP  
AGAINST INSIDE FIXTURE LIP

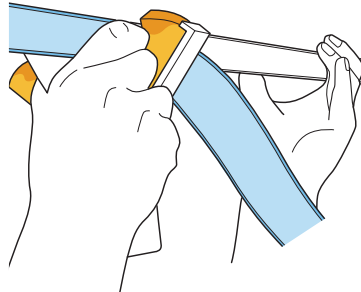
### 5)

Slide Lens Tool forward to insert lens

**NOTE:** Keep Lens Tool square,  
**DO NOT** twist.



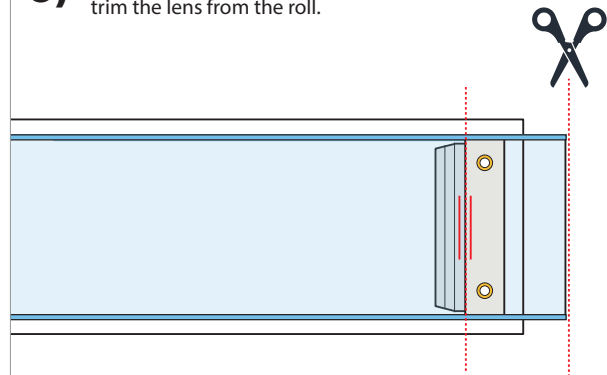
**NOTE:** Slow down  
sliding at fixture joints.



REAPPLY LUBRICANT  
TO SPONGES AS NEEDED.

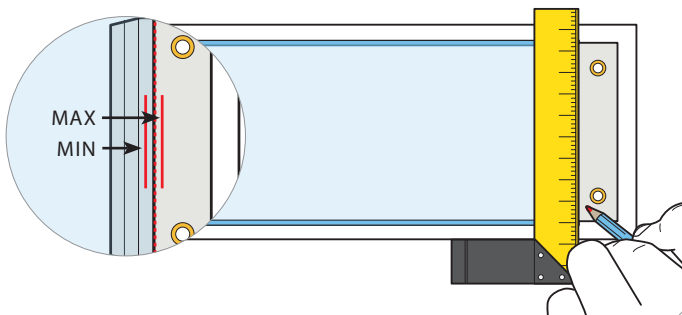
### 6)

Leaving an inch of lens at the END of the fixture,  
trim the lens from the roll.



**7)** Using Square, mark side of fixture where to cut lens  
within 1/8" safety zone Transfer CUT LINE to Lens,  
using square draw CUT LINE across lens

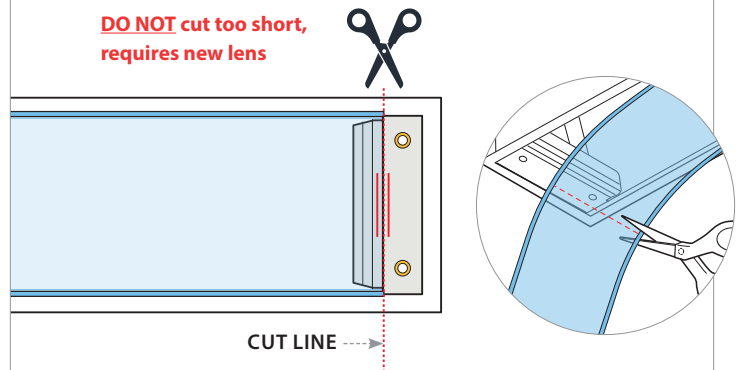
**NOTE:** Mark as close to end cap as possible (max line)



### 8)

**CUT LENS:** In order to not cut lens too short, it is easier to  
make multiple cuts that are gradually closer to marked line.

**DO NOT** cut too short,  
requires new lens



**WARNING:** Ground fixture in accordance with local and national electrical codes. Failure to do so may result in serious personal injury  
Fixture Installations should ONLY be done by a qualified licensed electrical professional.



Prudential Ltg. reserves the right to change design specifications or materials without notice. Please visit [prulite.com](http://prulite.com) for most current data.  
© 2026 All rights reserved—All products manufactured at: Prudential Ltg. 1774 E. 21<sup>st</sup> Street, Los Angeles, CA 90058

# Wet BionicPro | Linear Surface/Wall — WMC .75" Continuous Channel

## INSTALLATION INSTRUCTIONS



INSTALLATION  
VIDEO



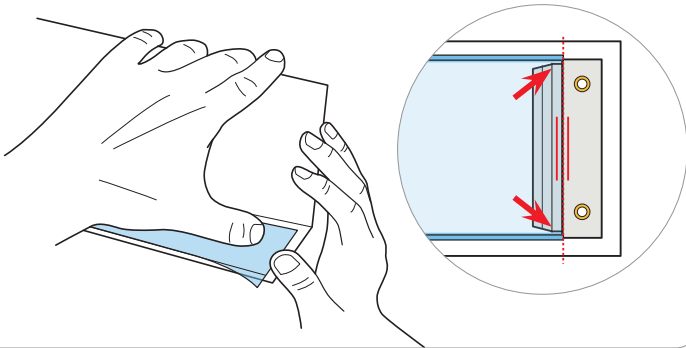
PRUDENTIAL LTG.

PRULITE.COM 213.746.0360

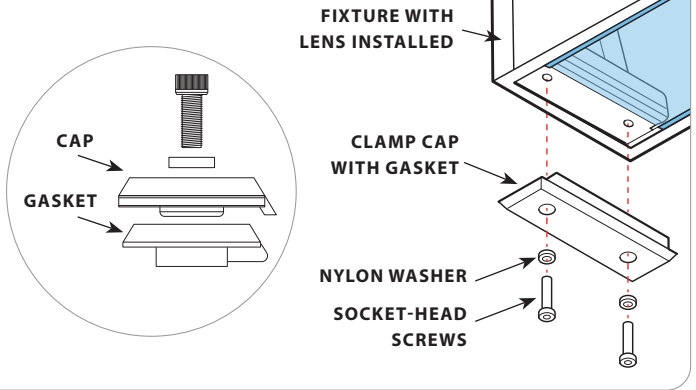
## LENS INSTALLATION

**REQUIRES TWO PEOPLE TO INSTALL**

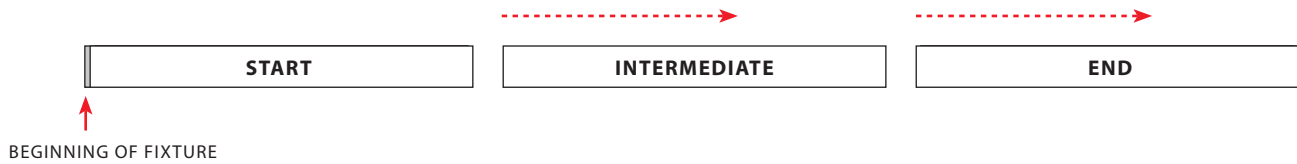
- 9)** As you near the end of the fixture, remove lens tool and install remaining lens by hand. Tuck the end sections of gasket between the bracket and the inside of the lens opening.



- 10)** Install Clamp cap with gasket using  $\frac{7}{64}$ " HEX socket. Hand tighten screws.



- 10)** Repeat lens trimming and clamp cap installation at beginning of fixture.



**WARNING:** Ground fixture in accordance with local and national electrical codes. Failure to do so may result in serious personal injury. Fixture Installations should ONLY be done by a qualified licensed electrical professional.

# Wet BionicPro | Linear

## Surface/Wall — WMC .75" Continuous Channel

### INSTALLATION INSTRUCTIONS



PRUDENTIAL LTG.

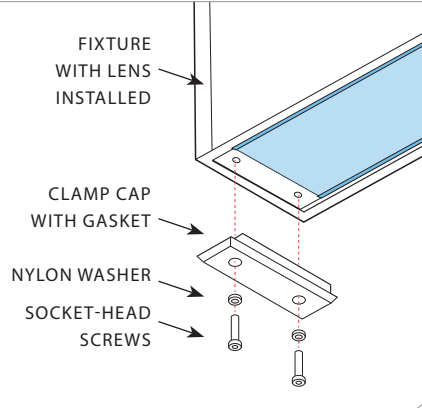
PRULITE.COM 213.746.0360

## LENS REMOVAL

**REQUIRES TWO PEOPLE TO INSTALL**

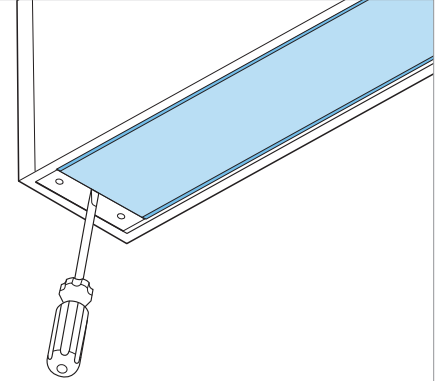
**1)**

Use a  $\frac{7}{64}$ " hex wrench to remove socket head screws to release Clamp Caps from both ends of fixture.



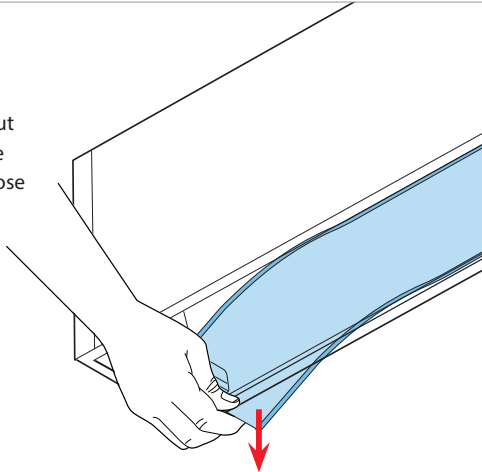
**2)**

Pry the lens loose at the end with a small slotted screwdriver just enough to make some space between the lens and the bracket.



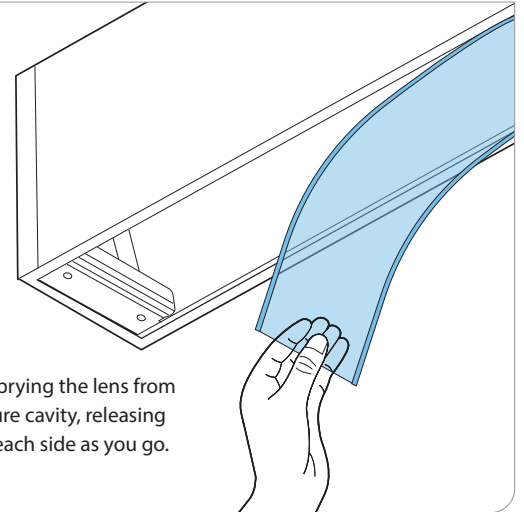
**3)**

Use your fingers to gently pry the lens out from the center while pulling the gasket loose from the lens slot.

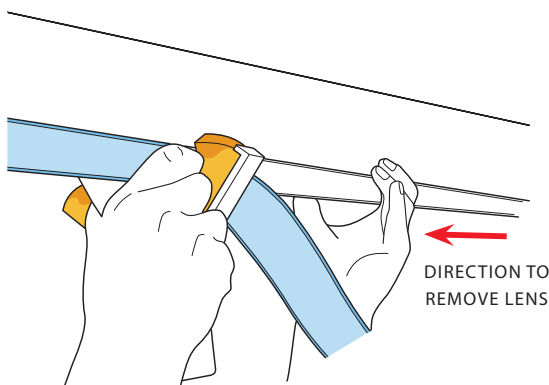


**4)**

Continue slowly prying the lens from inside of the fixture cavity, releasing the gasket from each side as you go.



**5)** Feed lens into lubricated tool and slowly reverse direction of install, pulling lens out as you go.



**WARNING:** Ground fixture in accordance with local and national electrical codes. Failure to do so may result in serious personal injury. Fixture Installations should ONLY be done by a qualified licensed electrical professional.

**USA** Prudential Ltg. reserves the right to change design specifications or materials without notice. Please visit [prulite.com](http://prulite.com) for most current data. © 2026 All rights reserved—All products manufactured at: Prudential Ltg. 1774 E. 21<sup>st</sup> Street, Los Angeles, CA 90058