

Wet BionicPro | Linear



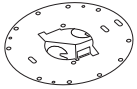



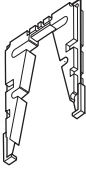



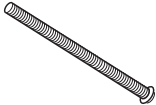
Stem Mount

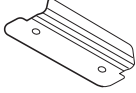
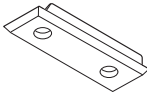
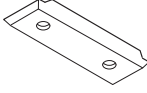
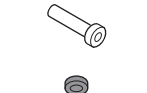
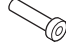

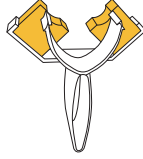




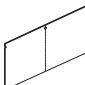
INSTALLATION INSTRUCTIONS

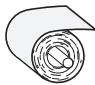


PRUDENTIAL LTG.

PRULITE.COM 213.746.0360

PART	PART NO.	DESCRIPTION	
CANOPY ASSEMBLY:			
	100-00025-29	Canopy Body (2 x Start/Individual)	
	100-00303-03	Canopy Cover (1 x Intermediate/End)	
	100-01163-10 Black	Flex Boot	
	100-01164-10 White	Flex Boot	
	100-00273-03	SSC (Swivel) Canopy Yoke	
	100-00274-03	SSC (Swivel) Center Block	
	100-00275-03	SSC (Swivel) Canopy Stem Yoke	
	100-00305-03	RSC (Rigid) Canopy Yoke	
	100-00465-17	Canopy O-Ring	
	100-00466-17	Canopy Ceiling Gasket	
	100-00120-07	Install Assist Hook	
	169332	Installation Sub Plate (1 x Powered Canopy)	
	169332	#10 x 3/4" Screw (2 x Canopy)	
		3/8" IPS Threaded Stem (Stems ordered over 8' will be provided in two pieces connected by a coupler) (1 x canopy up to 8') (2 x canopy over 8')	
	100-00058-20	Stem Coupler (Stems over 8' only)	
ROW MOUNTING GASKET:			
	2"	100-00451-17	
	3"	100-00453-17	
	4"	100-00455-17	
	5"	100-00457-17	
	2"	100-00452-17	
	3"	100-00454-17	
	4"	100-00456-17	
	5"	100-00458-17	
		100-00302-03	SSC/RSC Lock Nut (1 x Stem)
		100-00464-17	SSC/RSC Lock Nut Gasket (Thick) (1 x Stem)
	100-00463-17	SSC/RSC Lock Nut Friction Ring (Thin) (1 x Stem)	
	100-00283-14	1/4-20 x 5.0 Round Head Combination Drive Machine Screw	

PART	PART NO.	DESCRIPTION
LENS CLAMP KIT:		
	2"	170523
	3"	170524
	4"	170525
	5"	170526
	2"	100-00298-03
	3"	100-00254-03
	4"	100-00255-03
	5"	100-00256-03
	2"	100-00153-17
	3"	100-00154-17
	4"	100-00155-17
	5"	100-00156-17
	2"	100-00075-17
	3"	100-00459-17
	4"	100-00459-17
	5"	100-00459-17
	100-00422-14	Socket Head Cap Screw 6-32 x 3/8"
	100-00423-14	Black Nylon Flat Washer .140ID x 312OD
LENS INSTALLATION:		
	2"	100-00943-10
	3"	100-00944-10
	4"	100-00945-10
	5"	100-00946-10
		Lens Lube
	183548	Cover Install Tool
	100-00467-17	Thread Sealing Tape
	100-00255-14	1/4-20 x 5.0 Round Head Combination Drive Machine Screw
	100-00486-10	Seam Reflector

PARTS LIST	PART NO.	SAL	BTW	WWG	PFL	WGZ
	LENSES:					
	2"	100-01152-10	163434	163436	163437	163440
	3"	100-00501-10	163441	163443	163444	163447
	4"	100-01153-10	163448	163450	163451	163454
	5"	100-01154-10	163448	163457	163458	163461

WARNING: Ground fixture in accordance with local and national electrical codes. Failure to do so may result in serious personal injury. Fixture Installations should ONLY be done by a qualified licensed electrical professional.

Wet BionicPro | Linear

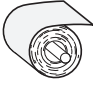
Stem Mount

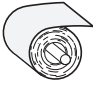
INSTALLATION INSTRUCTIONS

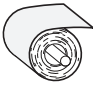


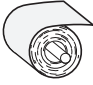
PRUDENTIAL LTG.

PRULITE.COM 213.746.0360

PARTS LIST	LENGTH	PART NO.							
LENSES:		SAL	BTW	WWF	WWG	PFL	NGZ	MGZ	WGZ
	8'	183559	183551	183567	183575	183583	183591	183599	183607
	7'	183560	183552	183568	183576	183584	183592	183600	183608
	6'	183561	183553	183569	183577	183585	183593	183601	183609
	5'	183562	183554	183470	183578	183586	183594	183602	183610
	4'	183563	183555	183471	183579	183587	183595	183603	183611
WET BIONICPRO2	3'	183564	183556	183472	183580	183588	183596	183604	183612
	2'	183565	183557	183473	183581	183589	183597	183605	183613
	ROLL	100-01152-10							

PARTS LIST	LENGTH	PART NO.							
LENSES:		SAL	BTW	WWF	WWG	PFL	NGZ	MGZ	WGZ
	8'	173834	173826	173842	173850	173858	173866	173874	173882
	7'	173835	173827	173843	173851	173859	173867	173875	173883
	6'	173836	173828	173844	173852	173860	173868	173876	173884
	5'	173837	173829	173845	173853	173861	173869	173877	173885
	4'	173838	173830	173846	173854	173862	173870	173878	173886
WET BIONICPRO3	3'	173839	173831	173847	173855	173863	173871	173879	173887
	2'	173840	173832	173848	173856	173864	173872	173880	173888
	ROLL	100-00501-10							

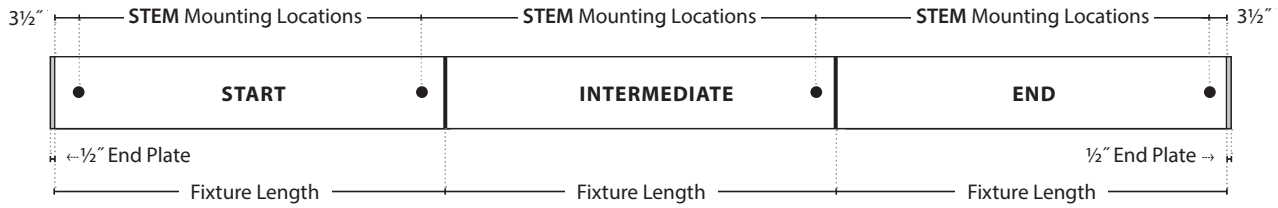
PARTS LIST	LENGTH	PART NO.							
LENSES:		SAL	BTW	WWF	WWG	PFL	NGZ	MGZ	WGZ
	8'	183623	183615	183631	183639	183647	183655	183663	183671
	7'	183624	183616	183632	183640	183648	183656	183664	183672
	6'	183625	183617	183633	183641	183649	183657	183665	183673
	5'	183626	183618	183634	183642	183650	183658	183666	183674
	4'	183627	183619	183635	183643	183651	183659	183667	183675
WET BIONICPRO4	3'	183628	183620	183636	183644	183652	183660	183668	183676
	2'	183629	183621	183637	183645	183653	183661	183669	183677
	ROLL	100-01153-10							

PARTS LIST	LENGTH	PART NO.							
LENSES:		SAL	BTW	WWF	WWG	PFL	NGZ	MGZ	WGZ
	8'	183687	183679	183695	183703	183711	183719	183727	183735
	7'	183688	183680	183696	183704	183712	183720	183728	183736
	6'	183689	183681	183697	183705	183713	183721	183729	183737
	5'	183690	183682	183698	183706	183714	183722	183730	183738
	4'	183691	183683	183699	183707	183715	183723	183731	183739
WET BIONICPRO5	3'	183692	183684	183700	183708	183716	183724	183732	183740
	2'	183693	183685	183701	183709	183717	183725	183733	183741
	ROLL	100-01153-10							

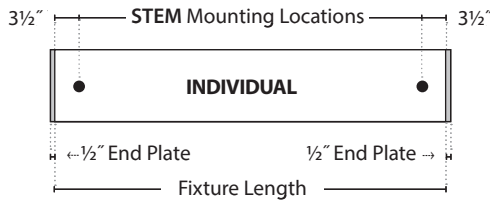
WARNING: Ground fixture in accordance with local and national electrical codes. Failure to do so may result in serious personal injury. Fixture Installations should ONLY be done by a qualified licensed electrical professional.



STEM (SSC/RSC) — MOUNTING

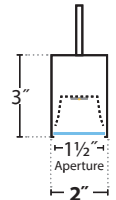


INDIVIDUAL:



	STEM LOCATIONS	
	Start / Individual	Intermediate / End
2'	17"	24"
3'	29"	36"
4'	41"	48"
5'	53"	60"
6'	65"	72"
7'	77"	84"
8'	89"	96"

R/SSC — STEM



WARNING: Ground fixture in accordance with local and national electrical codes. Failure to do so may result in serious personal injury. Fixture Installations should ONLY be done by a qualified licensed electrical professional.

Wet BionicPro | Linear Stem Mount

INSTALLATION INSTRUCTIONS



PRUDENTIAL LTG.

PRULITE.COM 213.746.0360

MAY REQUIRE TWO PEOPLE TO INSTALL

1) Check Ceiling Condition.

Use Octagon or 4x4 J-Box

Use reinforcement blocking when fixture weights more than 50lbs or when required.

2) Install Round Sub-Plate to J-Box.

Use Octagon or 4x4 J-Box

Reinforcement Mounting Holes

J-Box attachment screws by others

J-Box Mounting Holes

Round Sub-Plate

Reinforcement Screws (By Others)

BE SURE TABS ARE POINTING UP

3) Assemble stem to fixture. If total stem is longer than 8' join stems together with coupler provided.

Pass wires through stem thread stem to fixture.

Lock Nut

Lock Nut

Friction Ring

Lock Nut Gasket

TIGHTEN LOCK NUT

Use thread sealing tape on all stem connections

4) Remove Canopy Cover & Silicone Boot from Canopy.

Canopy Gasket

Canopy

Canopy Cover with O-ring

Rubber Flex Boot

5)

Place canopy cover and flex boot over stem and rest on top of fixture.

6) Attach canopy to Stem.

Pass wire through canopy. Screw canopy on completely until tight.

Use thread sealing tape

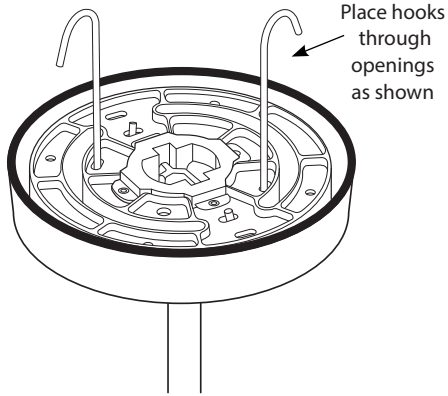
WARNING: Ground fixture in accordance with local and national electrical codes. Failure to do so may result in serious personal injury. Fixture Installations should ONLY be done by a qualified licensed electrical professional.

USA Prudential Ltg. reserves the right to change design specifications or materials without notice. Please visit prulite.com for most current data. © 2025 All rights reserved - All products manufactured at: Prudential Ltg. 1774 E. 21st Street, Los Angeles, CA 90058



MAY REQUIRE TWO PEOPLE TO INSTALL

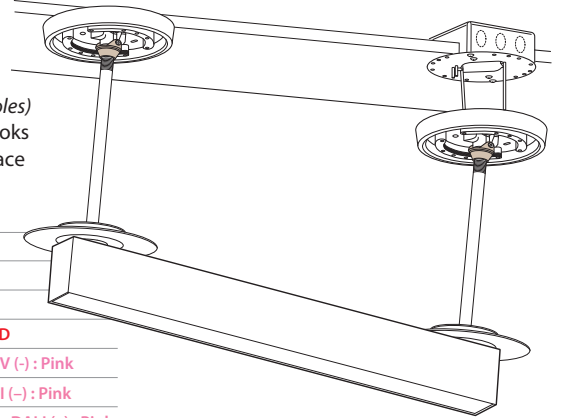
7) Insert installation hooks on powered canopy.



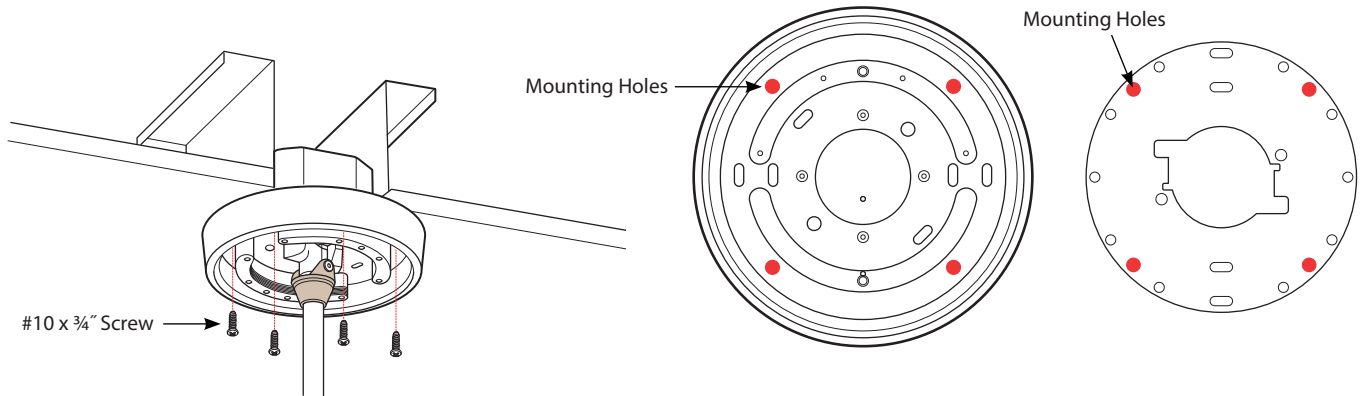
8) Hang fixture.

For non-powered canopy, fasten directly to structure (see step 9 for correct mounting holes)
For powered, use install assist hooks to temporarily hold canopy in place to wire fixture.

WIRING:	HOT : BLACK
	NEUTRAL : WHITE
	GROUND : GREEN
	CONSTANT HOT (EM) : RED
	0-10V (+) : Purple 0-10V (-) : Pink
	DALI (+) : Purple DALI (-) : Pink
	EcoSystem DALI (+) : Purple EcoSystem DALI (-) : Pink

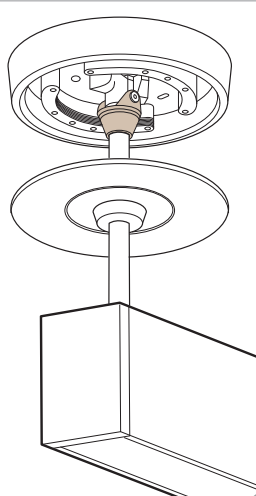
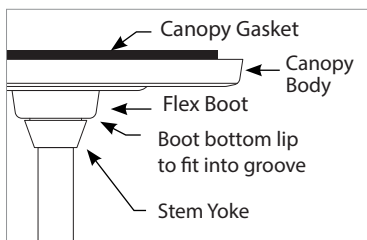


9) Remove hooks and attach fixture to ceiling.

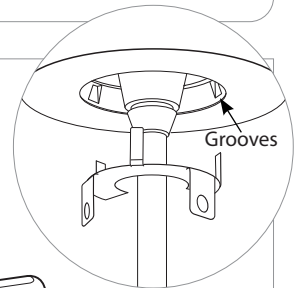
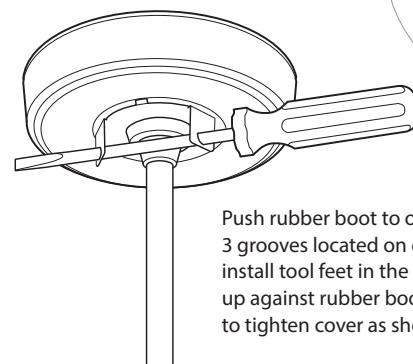


10) Set flex boot in place and screw on canopy cover. Check that o-ring is in place on canopy cover before attaching.

* Canopy gasket provides seal on smooth finish surfaces. Waterproof sealant should be added for other surfaces as needed (by others).



11) Use cover install tool to assist in tightening canopy cover.



Push rubber boot to one side to locate 3 grooves located on canopy cover. Insert install tool feet in the grooves and push up against rubber boot. Use a screwdriver to tighten cover as shown.

WARNING: Ground fixture in accordance with local and national electrical codes. Failure to do so may result in serious personal injury. Fixture Installations should ONLY be done by a qualified licensed electrical professional.

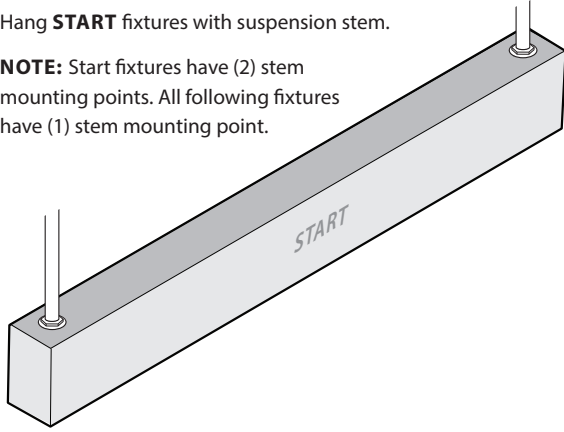


ROW INSTALLATION

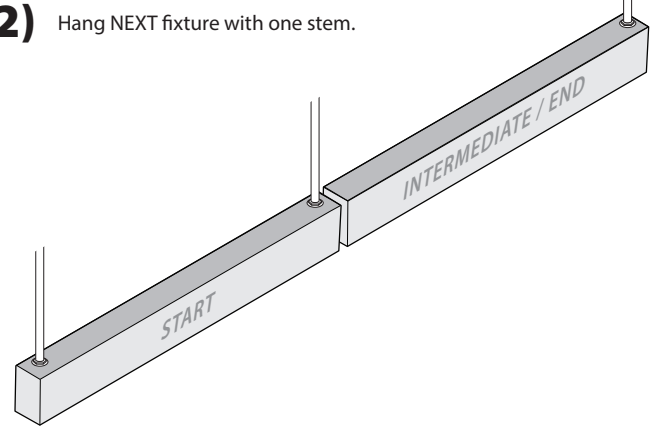
⚠ DO NOT BUILD ROWS ON FLOOR TO HOIST **👤 REQUIRES TWO PEOPLE TO INSTALL** **CORD SHIPPED INSTALLED**

1) Hang **START** fixtures with suspension stem.

NOTE: Start fixtures have (2) stem mounting points. All following fixtures have (1) stem mounting point.

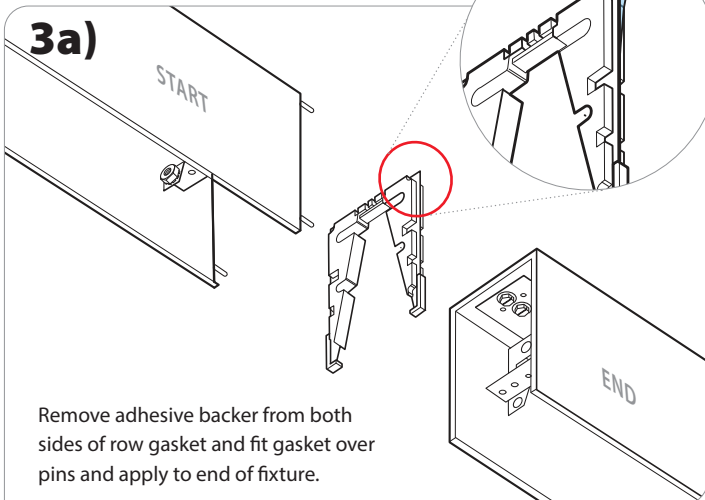


2) Hang **NEXT** fixture with one stem.



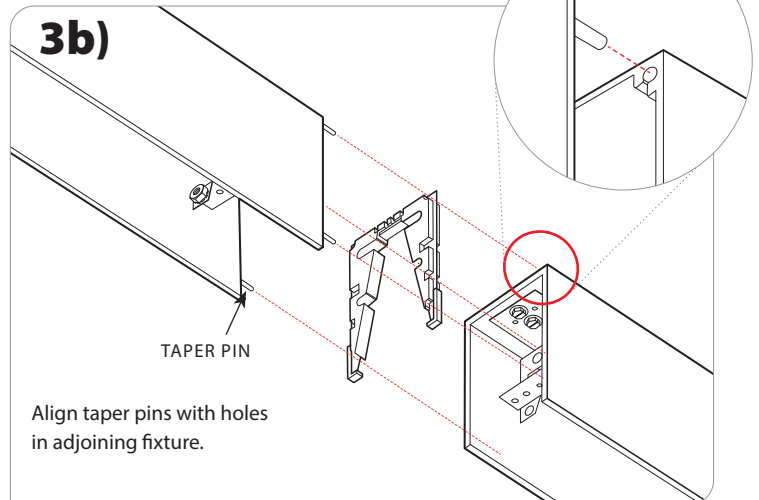
ROW JOINING:

3a)



Remove adhesive backer from both sides of row gasket and fit gasket over pins and apply to end of fixture.

3b)

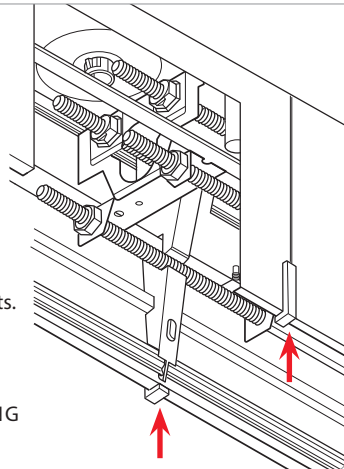


Align taper pins with holes in adjoining fixture.

3c)

Install (4) 1/4-20 x 5" bolts into bracket and pull fixtures tight, ensuring that gasket stays in place at lens area. The top row of screws screw into captive nuts that are fixed in the adjoining bracket. The bottom row require mating with separate lock nuts.

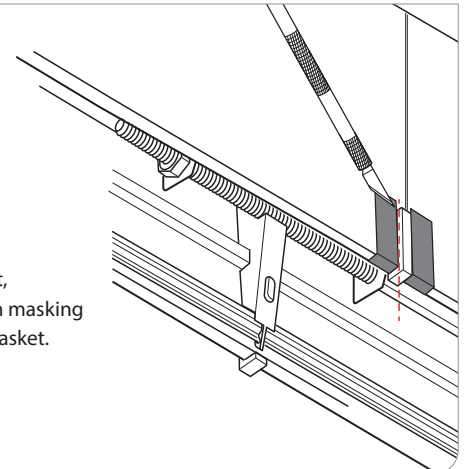
NOTE: APPLY PRESSURE TO GASKET TABS WHILE TIGHTENING TO KEEP IN PLACE.



3d)

Trim exposed gasket tabs flush to surface with a sharp blade. Be careful to maintain gasket integrity when trimming.

NOTE: To protect paint, mask surfaces with masking tape before trimming gasket.



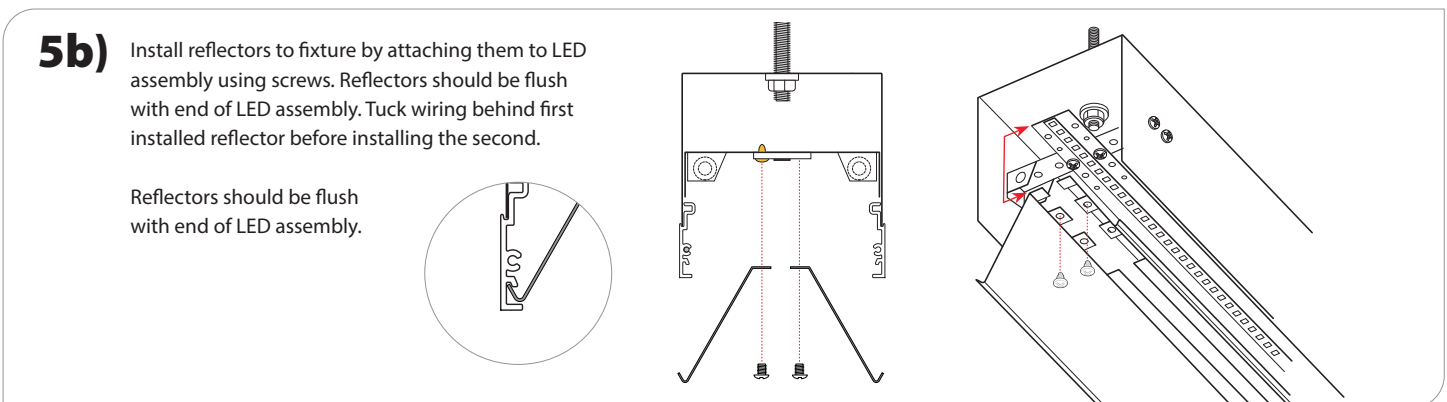
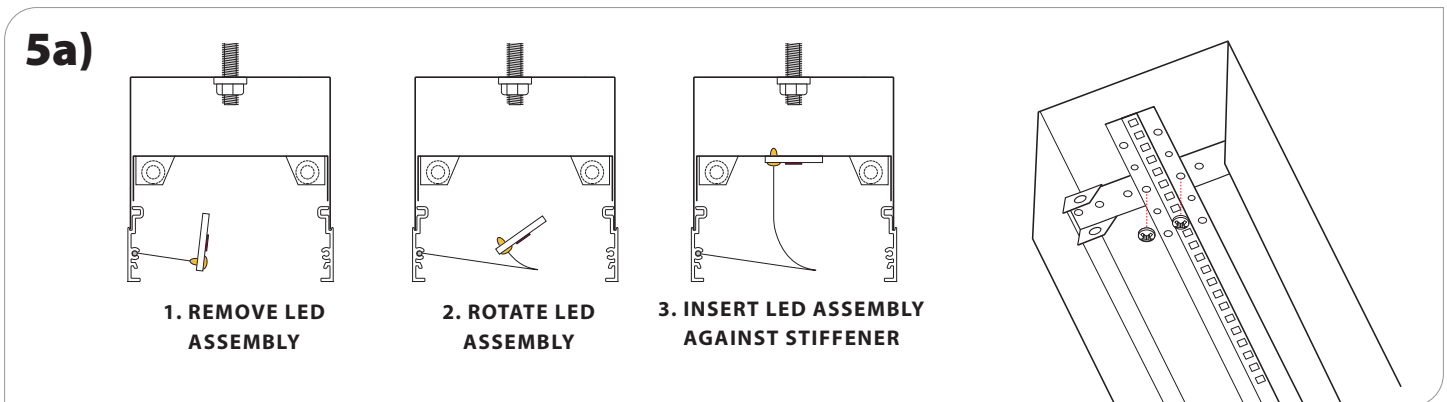
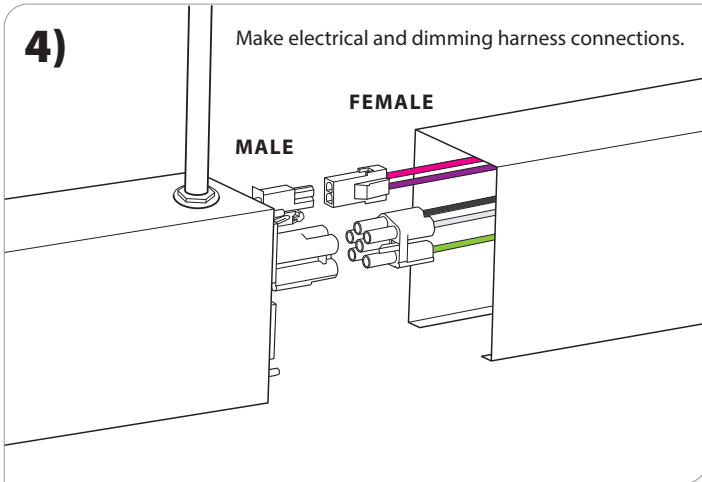
WARNING: Ground fixture in accordance with local and national electrical codes. Failure to do so may result in serious personal injury. Fixture Installations should ONLY be done by a qualified licensed electrical professional.



Prudential Ltg. reserves the right to change design specifications or materials without notice. Please visit prulite.com for most current data. © 2025 All rights reserved - All products manufactured at: Prudential Ltg. 1774 E. 21st Street, Los Angeles, CA 90058



⚠ DO NOT BUILD ROWS ON FLOOR TO HOIST **👤 REQUIRES TWO PEOPLE TO INSTALL** **CORD SHIPPED INSTALLED**

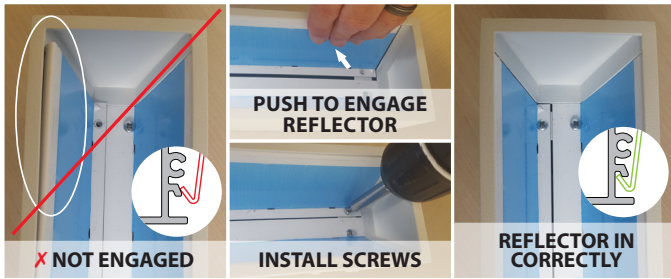


WARNING: Ground fixture in accordance with local and national electrical codes. Failure to do so may result in serious personal injury. Fixture Installations should ONLY be done by a qualified licensed electrical professional.

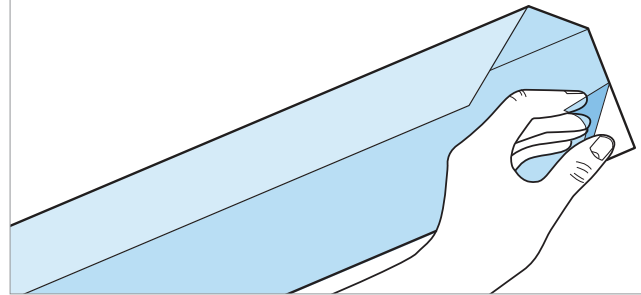


⚠ DO NOT BUILD ROWS ON FLOOR TO HOIST **👤 REQUIRES TWO PEOPLE TO INSTALL** **CORD SHIPPED INSTALLED**

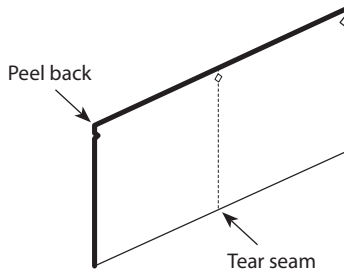
6) Snap reflectors into place.



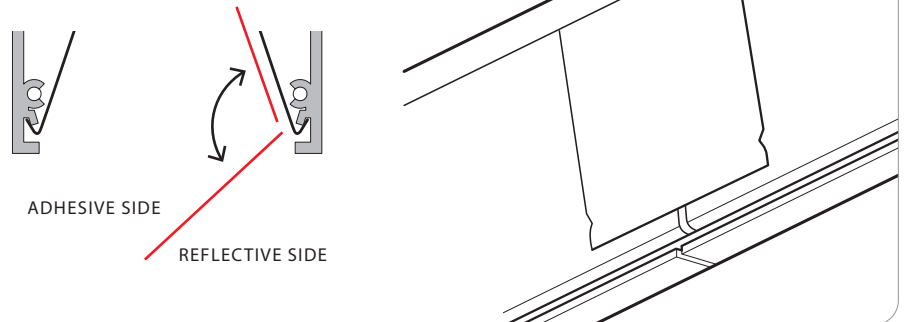
7) Peel blue protective covering off reflectors.



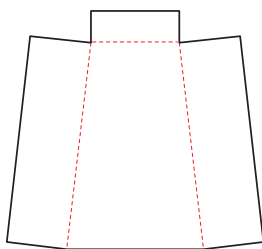
8a) Tear seam reflector at perforation. Peel film to reveal adhesive.



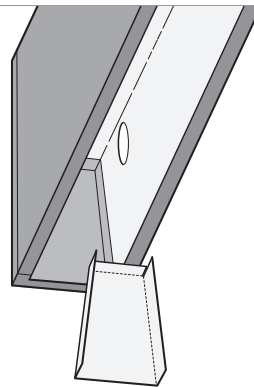
8b) Insert seam reflector above break in reflector.



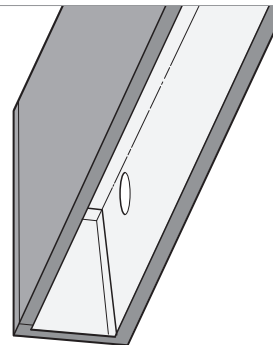
9)



**FOLD END REFLECTORS
AT PERFORATIONS**



Align folded reflector with
end cap interior.



Install end reflector so it
covers the seam between the
end cap and reflector.

WARNING: Ground fixture in accordance with local and national electrical codes. Failure to do so may result in serious personal injury. Fixture Installations should ONLY be done by a qualified licensed electrical professional.



INSTALLATION
VIDEO



PRUDENTIAL LTG.

PRULITE.COM 213.746.0360

LENS INSTALLATION

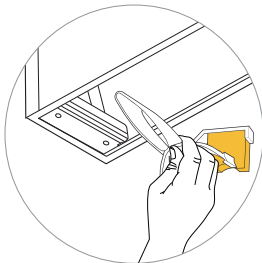
REQUIRES TWO PEOPLE TO INSTALL

⚠️ PRIOR TO INSTALLING LENS, ENERGIZE LEDS AND CONFIRM ALL ARE PROPERLY LIT BEFORE INSTALLING LENS

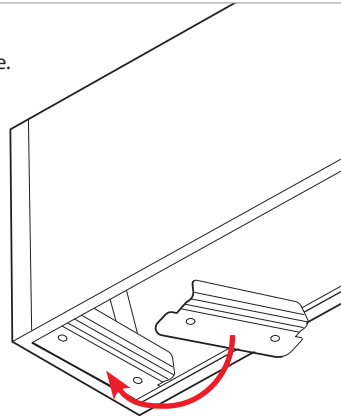
RECOMMENDED: Start lens installation from *LEFT* to *RIGHT*.



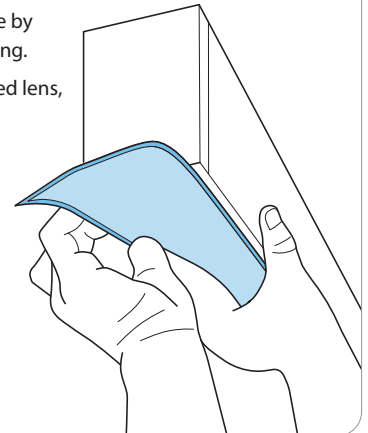
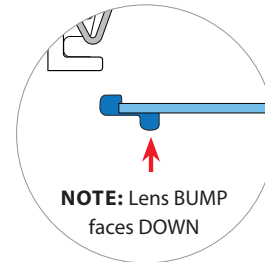
1) Insert clamp brackets at the **START** and **END** of the fixture.



Use handle of 'Lens Tool' to tap bracket into place.



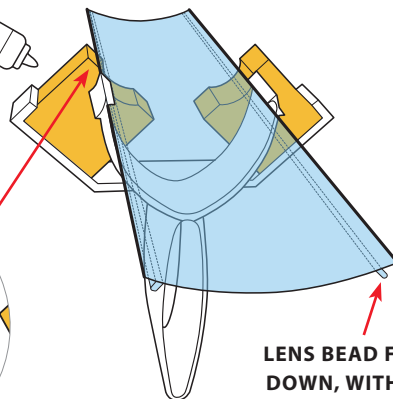
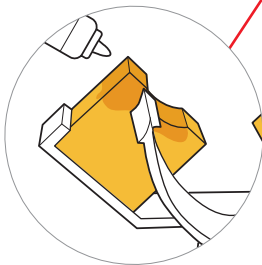
2) Insert lens into start of fixture by hand with an extra 3" overhang. Squeeze one edge of gasketed lens, then the other.



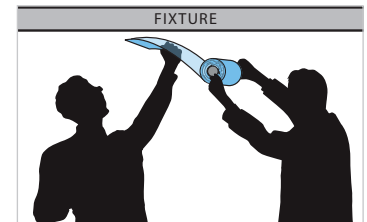
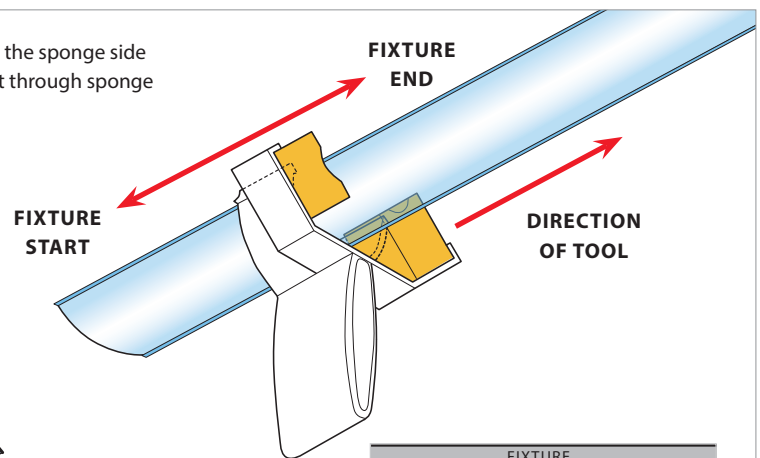
3) With lens partially inserted into fixture, snap lens into lens tool with the sponge side of tool facing the opposite end of fixture. Guide edges of lens gasket through sponge grooves. Apply lens lube liberally to sponge grooves on both sides.

Lens Lube

APPLY LENS LUBE TO SPONGE IN GROOVED AREAS



LENS BEAD FACING DOWN, WITH LENS BOWED OUT



WARNING: Ground fixture in accordance with local and national electrical codes. Failure to do so may result in serious personal injury. Fixture Installations should **ONLY** be done by a qualified licensed electrical professional.



INSTALLATION
VIDEO



PRUDENTIAL LTG.

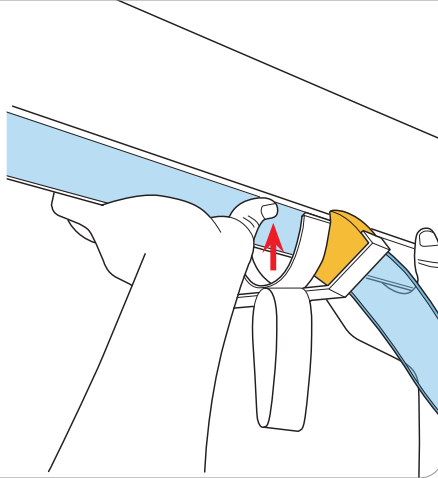
PRULITE.COM 213.746.0360

LENS INSTALLATION

REQUIRES TWO PEOPLE TO INSTALL

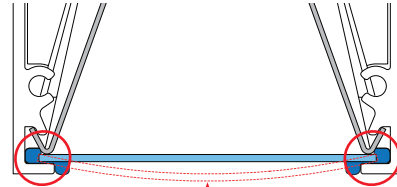
4a)

With lens inserted into tool, squeeze and push tool tabs into slots in fixture opening.



4b)

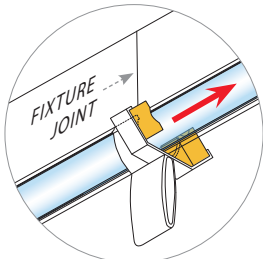
Apply pressure to the middle of the lens where it is bowed out. This will push the gasket into the lens slot. Ensure that the gasket is pressed firmly against the inside fixture lip.



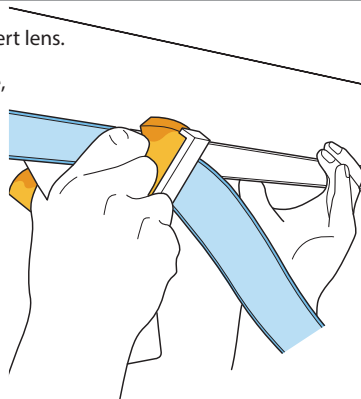
PUSH LENS FLAT WHERE IT IS BOWED OUT
GASKET BEAD MUST BE PRESSED UP
AGAINST INSIDE FIXTURE LIP

5) Slide Lens Tool forward to insert lens.

NOTE: Keep Lens Tool square, **DO NOT** twist.

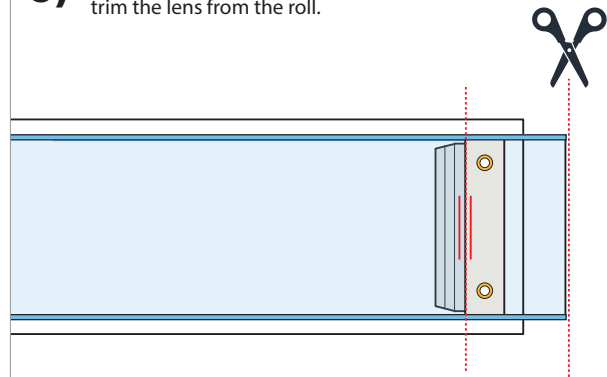


NOTE: Slow down sliding at fixture joints.



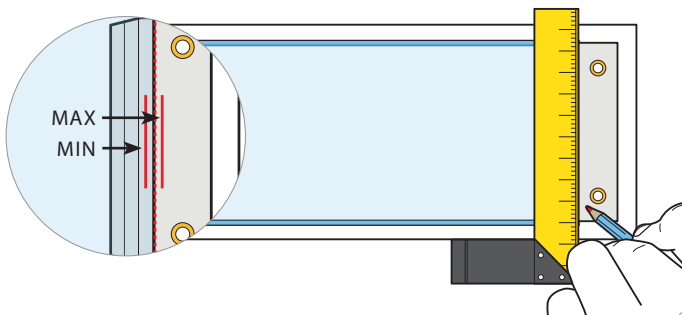
REAPPLY LUBRICANT TO SPONGES AS NEEDED.

6) Leaving an inch of lens at the END of the fixture, trim the lens from the roll.



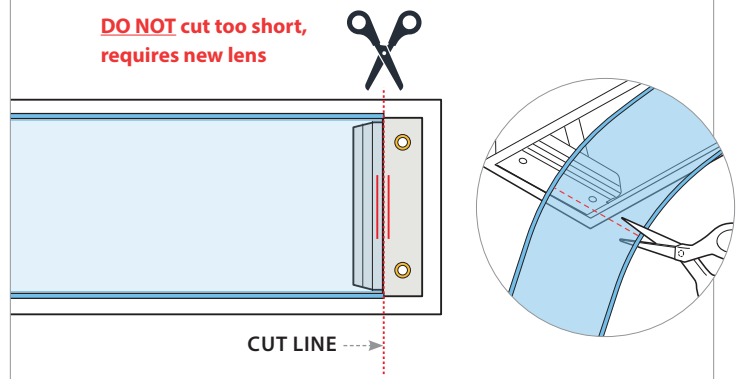
7) Using Square, mark side of fixture where to cut lens within 1/8" safety zone. Transfer CUT LINE to Lens, using square draw CUT LINE across lens.

NOTE: Mark as close to end cap as possible (max line).



8) CUT LENS: In order to not cut lens too short, it is easier to make multiple cuts that are gradually closer to marked line.

DO NOT cut too short, requires new lens



WARNING: Ground fixture in accordance with local and national electrical codes. Failure to do so may result in serious personal injury. Fixture Installations should ONLY be done by a qualified licensed electrical professional.



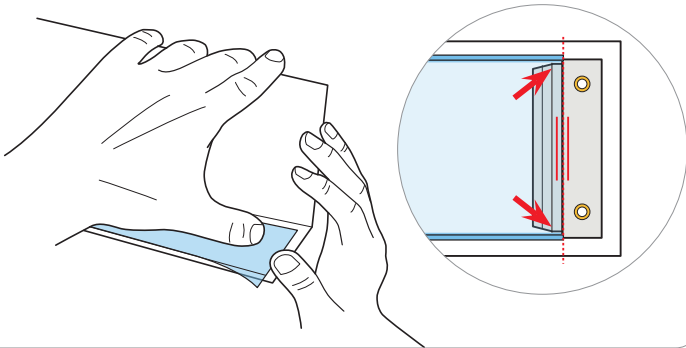
INSTALLATION
VIDEO



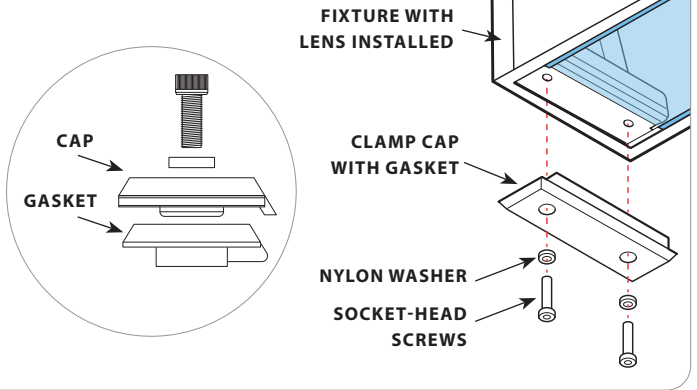
LENS INSTALLATION

REQUIRES TWO PEOPLE TO INSTALL

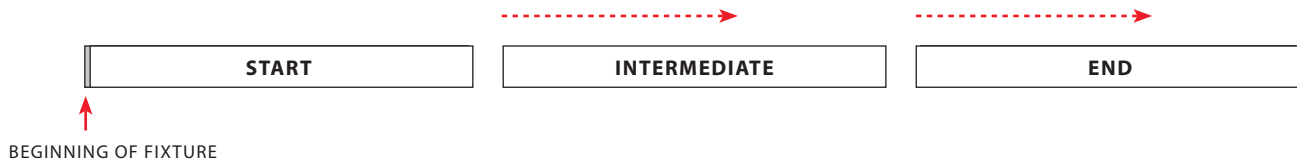
9) As you near the end of the fixture, remove lens tool and install remaining lens by hand. Tuck the end sections of gasket between the bracket and the inside of the lens opening.



10) Install Clamp cap with gasket using $\frac{7}{64}$ " HEX socket. Hand tighten screws.



10) Repeat lens trimming and clamp cap installation at beginning of fixture.



WARNING: Ground fixture in accordance with local and national electrical codes. Failure to do so may result in serious personal injury. Fixture Installations should ONLY be done by a qualified licensed electrical professional.

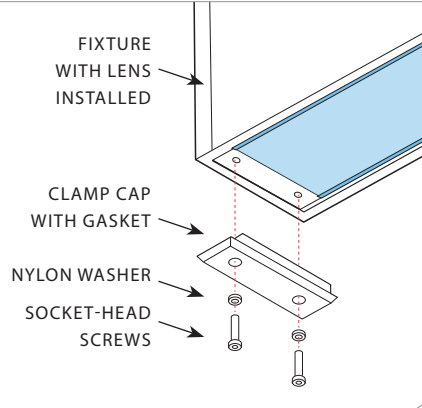


LENS REMOVAL

REQUIRES TWO PEOPLE TO INSTALL

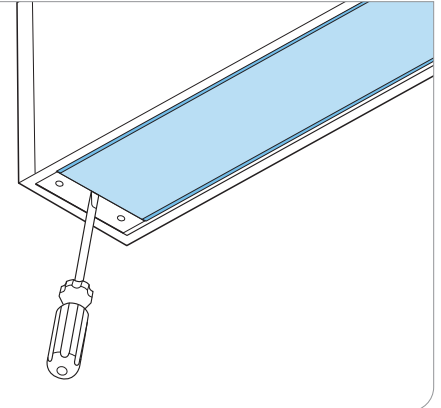
1)

Use a $\frac{7}{64}$ " hex wrench to remove socket head screws to release Clamp Caps from both ends of fixture.



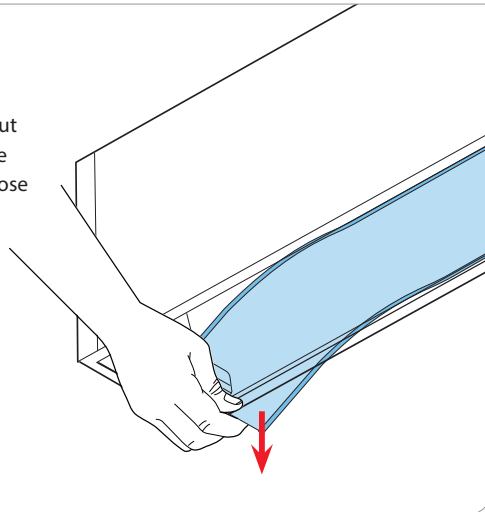
2)

Pry the lens loose at the end with a small slotted screwdriver just enough to make some space between the lens and the bracket



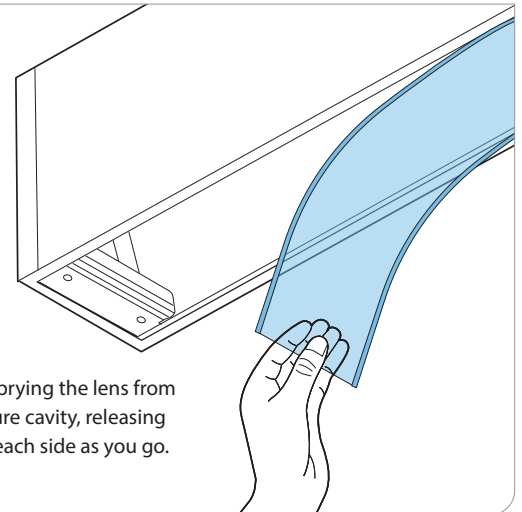
3)

Use your fingers to gently pry the lens out from the center while pulling the gasket loose from the lens slot.



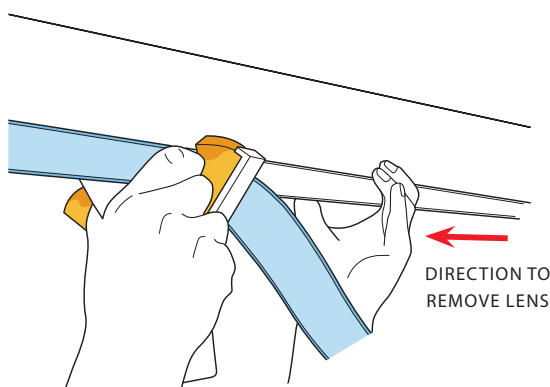
4)

Continue slowly prying the lens from inside of the fixture cavity, releasing the gasket from each side as you go.



5)

Feed lens into lubricated tool and slowly reverse direction of install, pulling lens out as you go.



WARNING: Ground fixture in accordance with local and national electrical codes. Failure to do so may result in serious personal injury. Fixture Installations should ONLY be done by a qualified licensed electrical professional.