

Wet BionicPro | Linear

Cable Hung

INSTALLATION INSTRUCTIONS

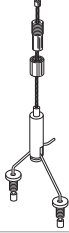


PRUDENTIAL LTG.

PRULITE.COM 213.746.0360

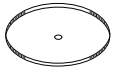
PART	PART NO.	DESCRIPTION
------	----------	-------------

TOGGLE CABLE ASSEMBLY:

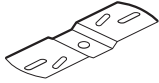


100-00163-08 100" Toggle Cable Assembly

MOUNTING KIT:



100-00168-08 5 1/2" Ø NPF Canopy X3 (1 Hole)



173727 Mounting Strap

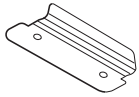


100-00426-14 Zinc-Plated Steel Pan Head Phillips Screw 1/4" Thread, 7/8" Long

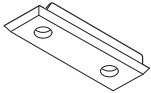


100-00012-14 1/4-20 Speed Nut

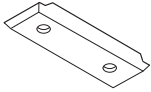
LENS CLAMP KIT:"



170524 Lens Clamp Gasket



100-00254-03 Endplate Clamp Cap



100-00154-17 Molded Clamp Gasket

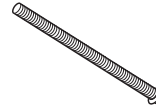


100-00422-14 Socket Head Cap Screw 6-32 x 3/8"



100-00423-14 Black Nylon Flat Washer .140ID x 312OD

PART	PART NO.	DESCRIPTION
------	----------	-------------



100-00283-14 1/4-20 x 5.0 Round Head Combination Drive Machine Screw

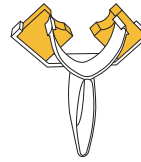


100-00255-14 1/4-20 Hex Nut



100-00486-10 Seam Reflector

LENS INSTALLATION:

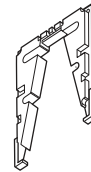


100-00464-10 BionicPro3 Lens Tool



100-00014-25 Lens Lube

ROW MOUNTING GASKET:



100-00397-17 Joiner Gasket — BLACK

100-00435-17 Joiner Gasket — WHITE

PARTS LIST	LENGTH	PART NO.	SAL	BTW	WWF	WWG	PFL	NGZ	MGZ	WGZ
LENSES:	8'	173834	173826	173842	173850	173858	173866	173874	173882	
	7'	173835	173827	173843	173851	173859	173867	173875	173883	
	6'	173836	173828	173844	173852	173860	173868	173876	173884	
	5'	173837	173829	173845	173853	173861	173869	173877	173885	
	4'	173838	173830	173846	173854	173862	173870	173878	173886	
	3'	173839	173831	173847	173855	173863	173871	173879	173887	
	2'	173840	173832	173848	173856	173864	173872	173880	173888	
	ROLL	100-00501-10	163441	163442	163443	163444	163445	163446	163447	

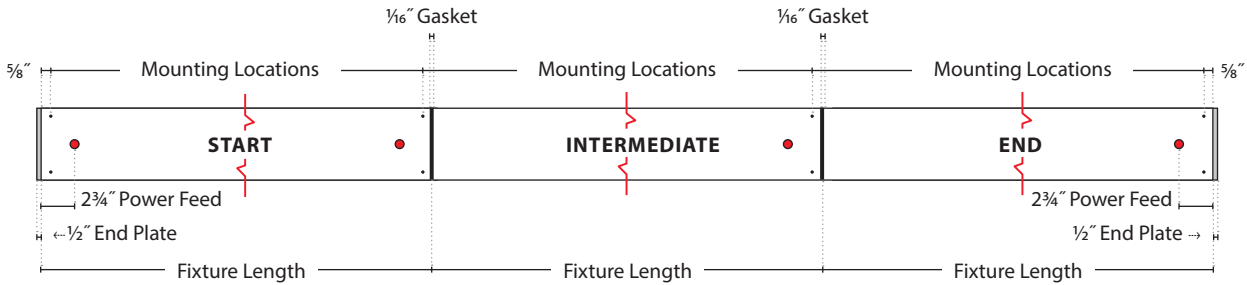
WARNING: Ground fixture in accordance with local and national electrical codes. Failure to do so may result in serious personal injury.



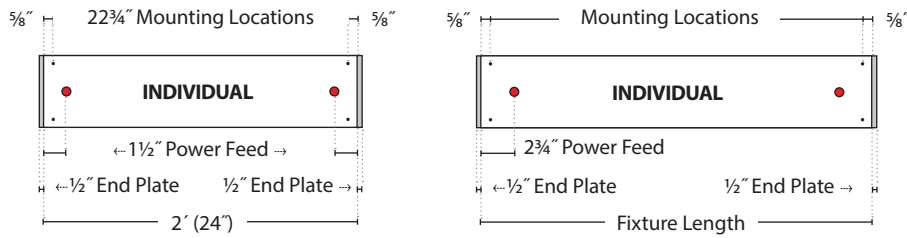
CABLE (CA) — MOUNTING

NOTE: 2' ROW FIXTURES NOT AVAILABLE

● POWER FEED

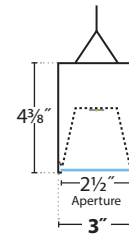


INDIVIDUAL (2')



FIXTURE LENGTHS	MOUNTING LOCATIONS			
	All	Start	Intermediate / End	Individual
2'	24"	—	—	22 3/4"
3'	36"	34 3/4"	36 1/16"	34 3/4"
4'	48"	46 3/4"	48 1/16"	46 3/4"
5'	60"	58 3/4"	60 1/16"	58 3/4"
6'	72"	70 3/4"	72 1/16"	70 3/4"
7'	84"	82 3/4"	84 1/16"	82 3/4"
8'	96"	94 3/4"	96 1/16"	94 3/4"

CA — CABLE MOUNT

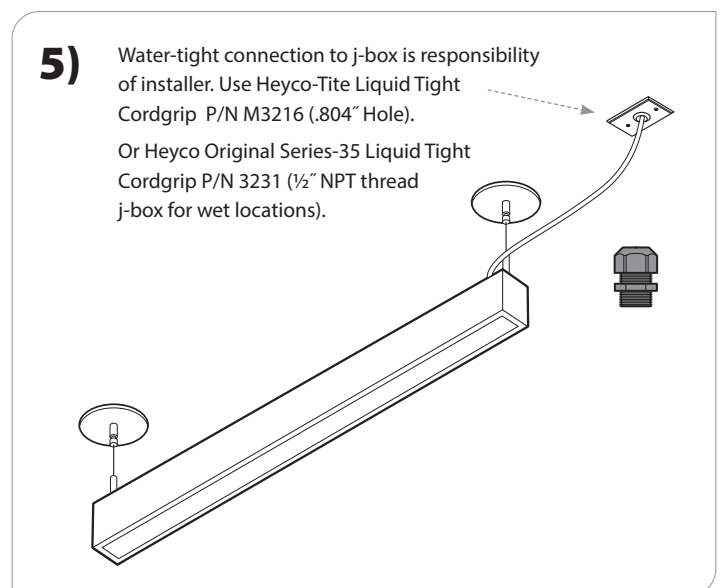
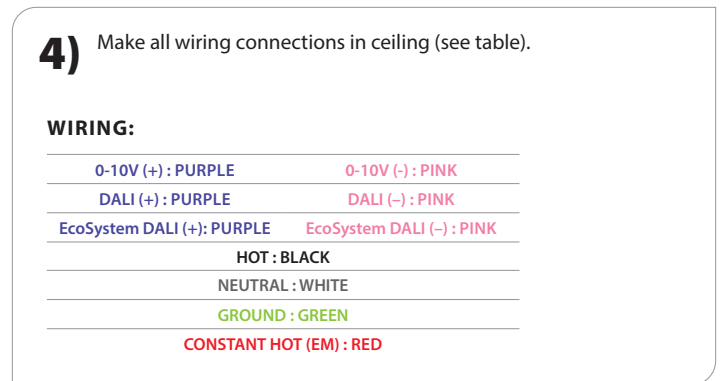
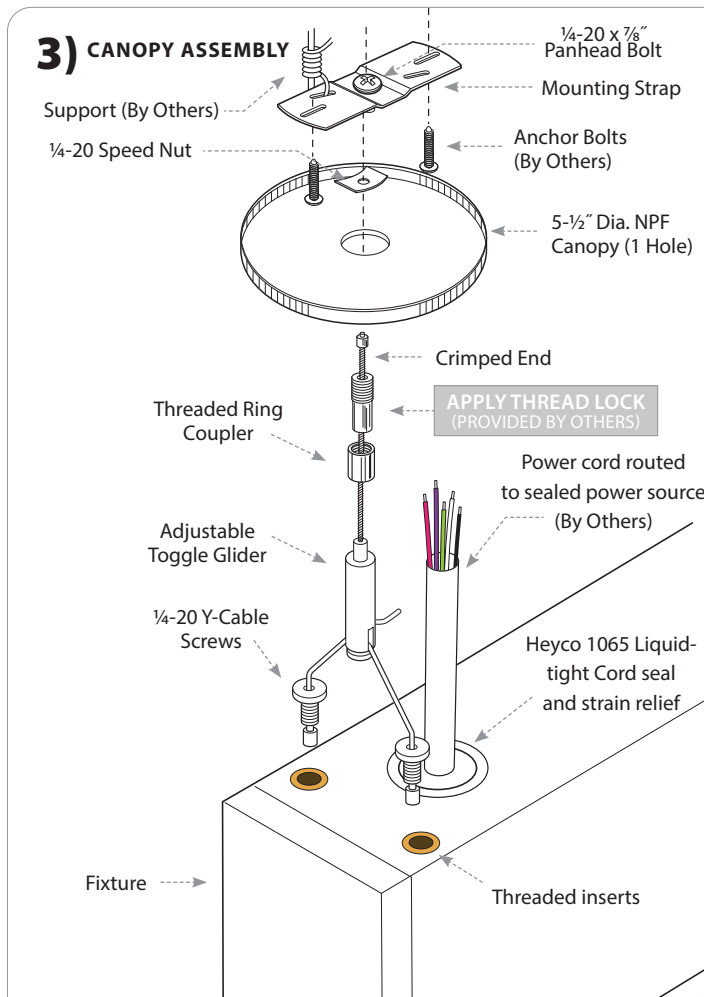
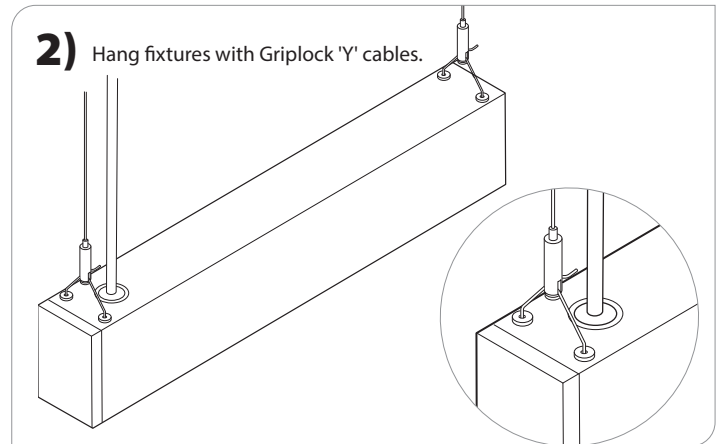
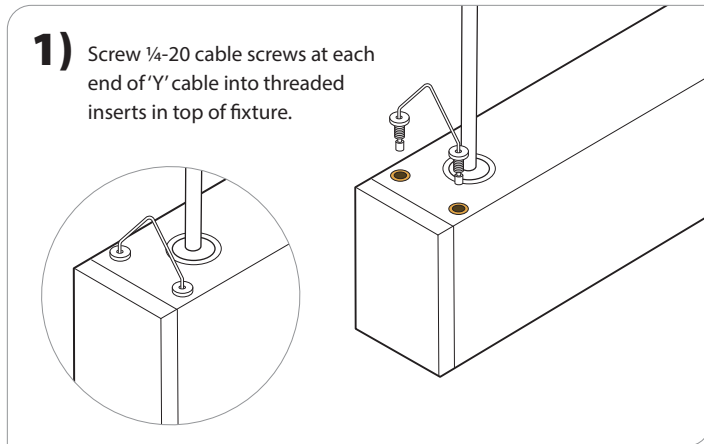


WARNING: Ground fixture in accordance with local and national electrical codes. Failure to do so may result in serious personal injury.



INDIVIDUAL FIXTURE

REQUIRES TWO PEOPLE TO INSTALL



WARNING: Ground fixture in accordance with local and national electrical codes. Failure to do so may result in serious personal injury.

Wet BionicPro | Linear Cable Hung

INSTALLATION INSTRUCTIONS



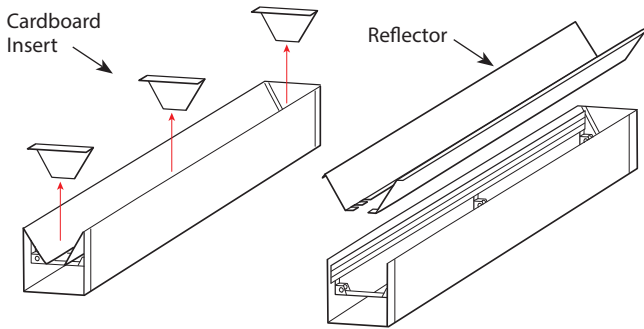
PRUDENTIAL LTG.

PRULITE.COM 213.746.0360

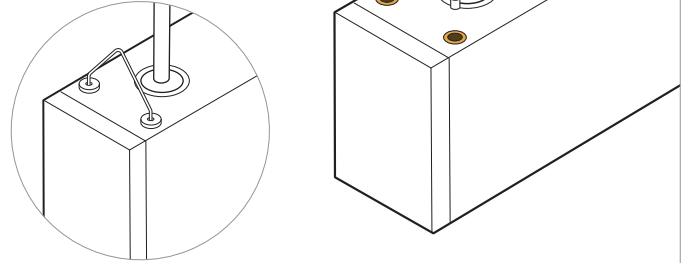
X1, X3, X6 — ROWS

⚠ DO NOT BUILD ROWS ON FLOOR TO HOIST **👤👤 REQUIRES TWO PEOPLE TO INSTALL** **CORD SHIPPED INSTALLED**

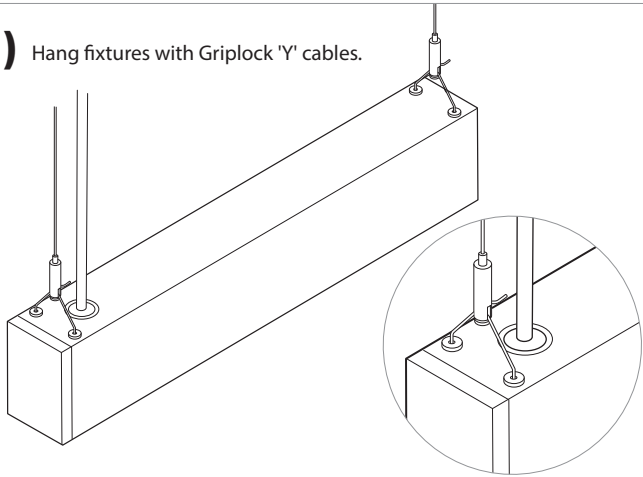
- 1)** Remove cardboard inserts and reflectors.
Leave LED assembly in place.



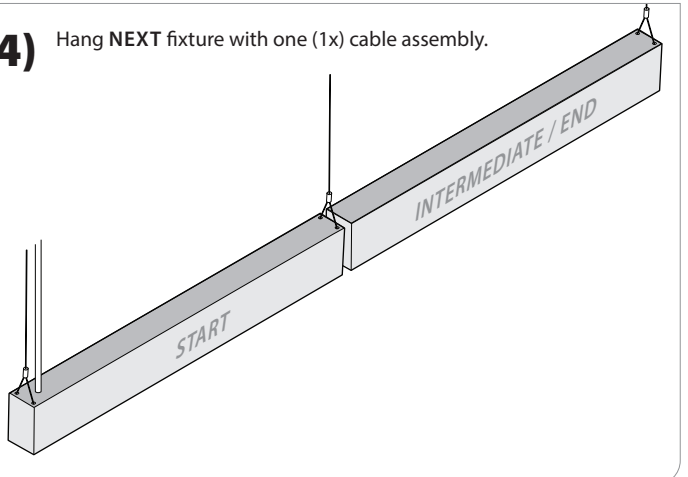
- 2)** Screw 1/4-20 cable screws at each end of 'Y' cable into threaded inserts in top of fixture.



- 3)** Hang fixtures with Griplock 'Y' cables.



- 4)** Hang NEXT fixture with one (1x) cable assembly.



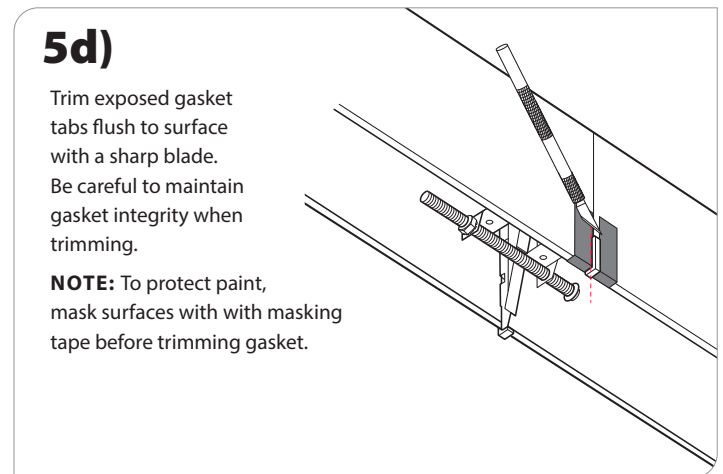
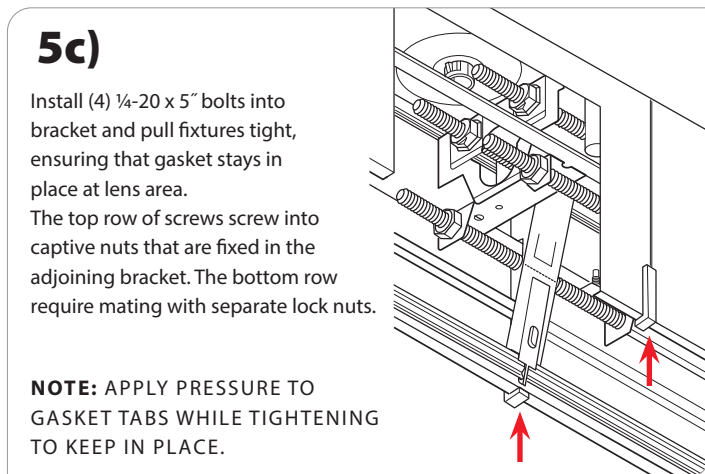
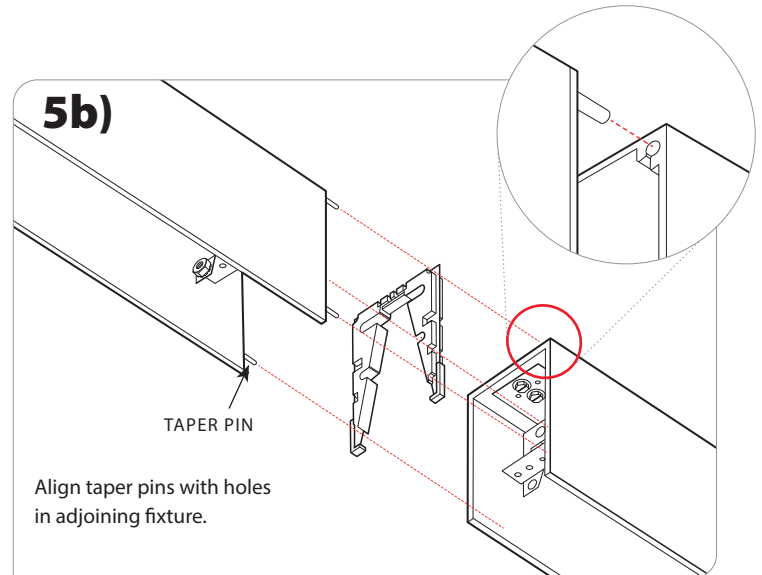
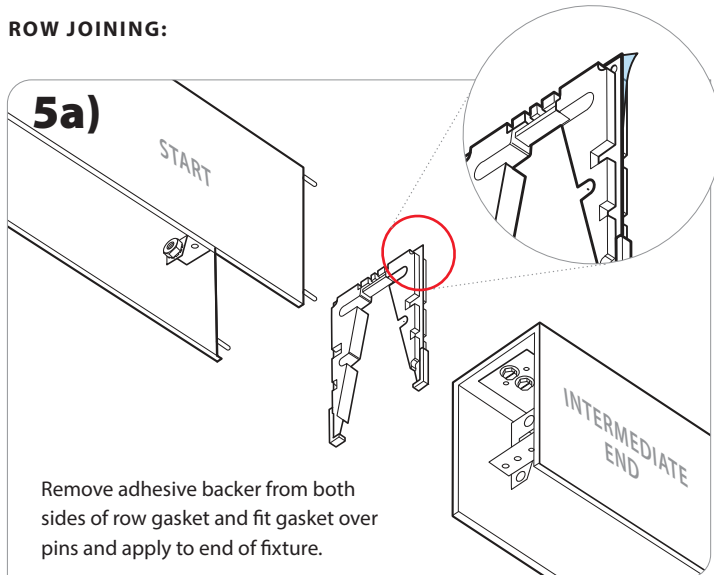
WARNING: Ground fixture in accordance with local and national electrical codes. Failure to do so may result in serious personal injury.



X1, X3, X6 — ROWS

⚠ DO NOT BUILD ROWS ON FLOOR TO HOIST **👤👤 REQUIRES TWO PEOPLE TO INSTALL** **CORD SHIPPED INSTALLED**

ROW JOINING:



WARNING: Ground fixture in accordance with local and national electrical codes. Failure to do so may result in serious personal injury.

Wet BionicPro | Linear

Cable Hung

INSTALLATION INSTRUCTIONS

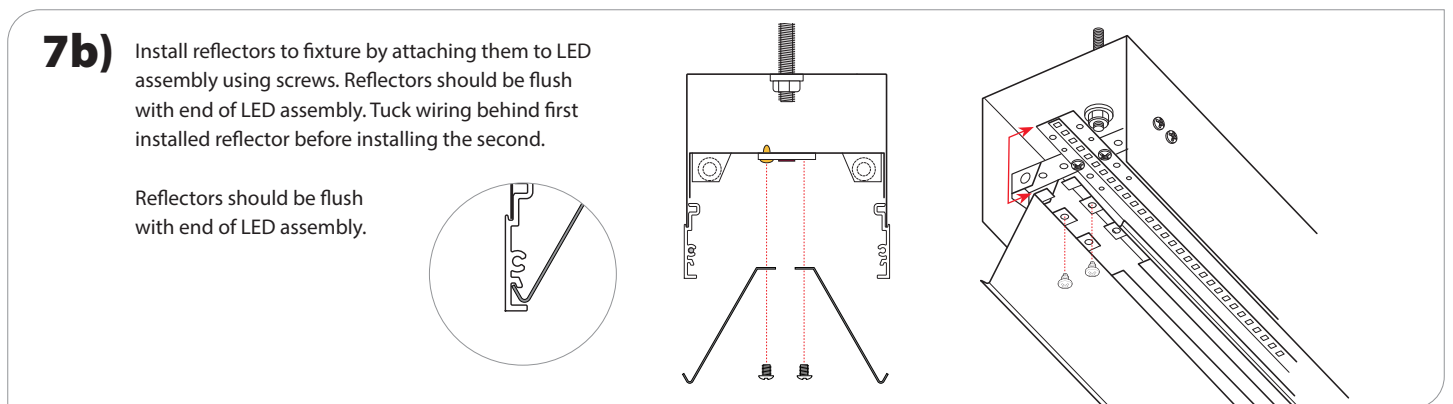
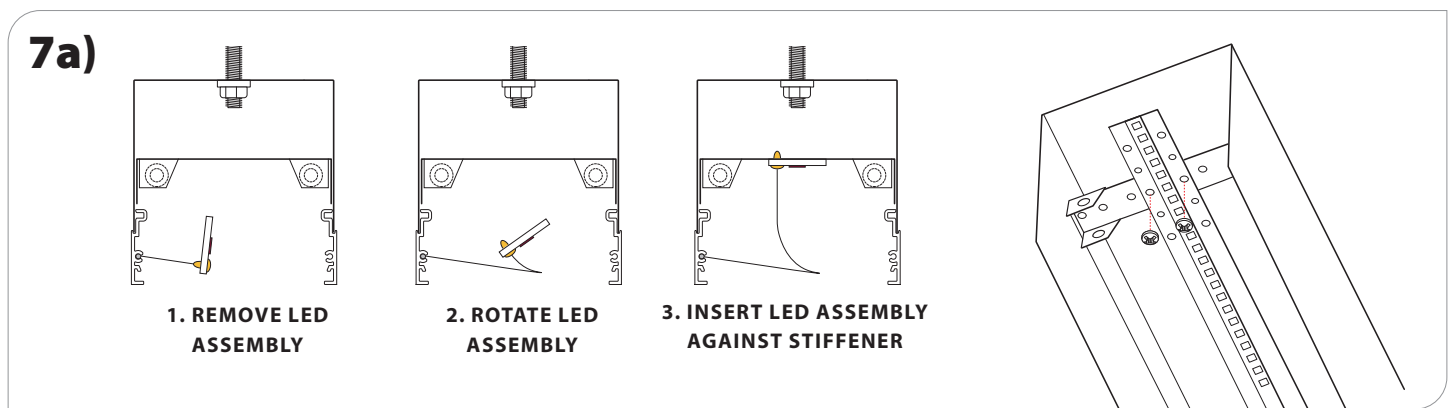
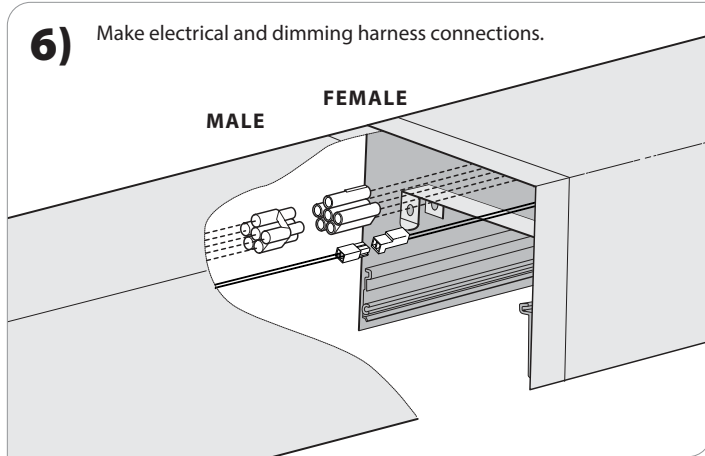


PRUDENTIAL LTG.

PRULITE.COM 213.746.0360

X1, X3, X6 — ROWS

⚠ DO NOT BUILD ROWS ON FLOOR TO HOIST **👤 REQUIRES TWO PEOPLE TO INSTALL** **CORD SHIPPED INSTALLED**



WARNING: Ground fixture in accordance with local and national electrical codes. Failure to do so may result in serious personal injury.

Wet BionicPro | Linear Cable Hung

INSTALLATION INSTRUCTIONS



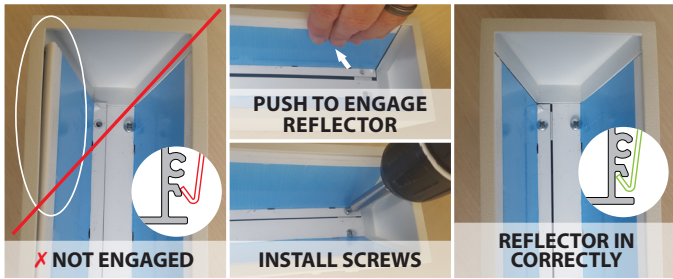
PRUDENTIAL LTG.

PRULITE.COM 213.746.0360

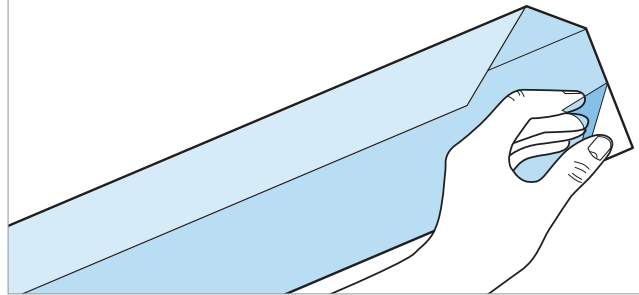
X1, X3, X6 — ROWS

⚠ DO NOT BUILD ROWS ON FLOOR TO HOIST **👤 REQUIRES TWO PEOPLE TO INSTALL** **CORD SHIPPED INSTALLED**

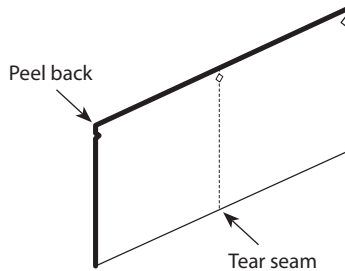
8) Snap reflectors into place.



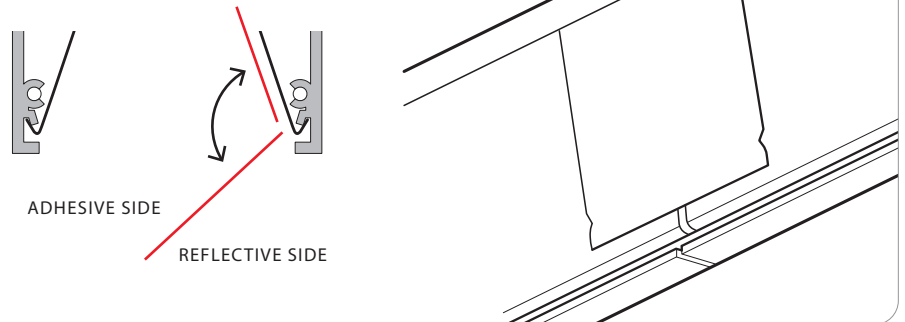
9) Peel blue protective covering off reflectors.



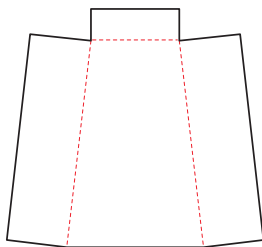
10a) Tear seam reflector at perforation. Peel film to reveal adhesive.



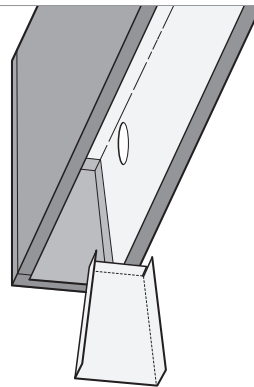
10b) Insert seam reflector above break in reflector.



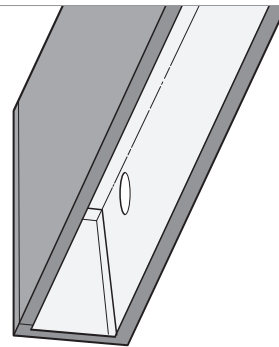
11)



FOLD END REFLECTORS AT PERFORATIONS



Align folded reflector with end cap interior.



Install end reflector so it covers the seam between the end cap and reflector.

WARNING: Ground fixture in accordance with local and national electrical codes. Failure to do so may result in serious personal injury.

Wet BionicPro | Linear

Cable Hung

INSTALLATION INSTRUCTIONS

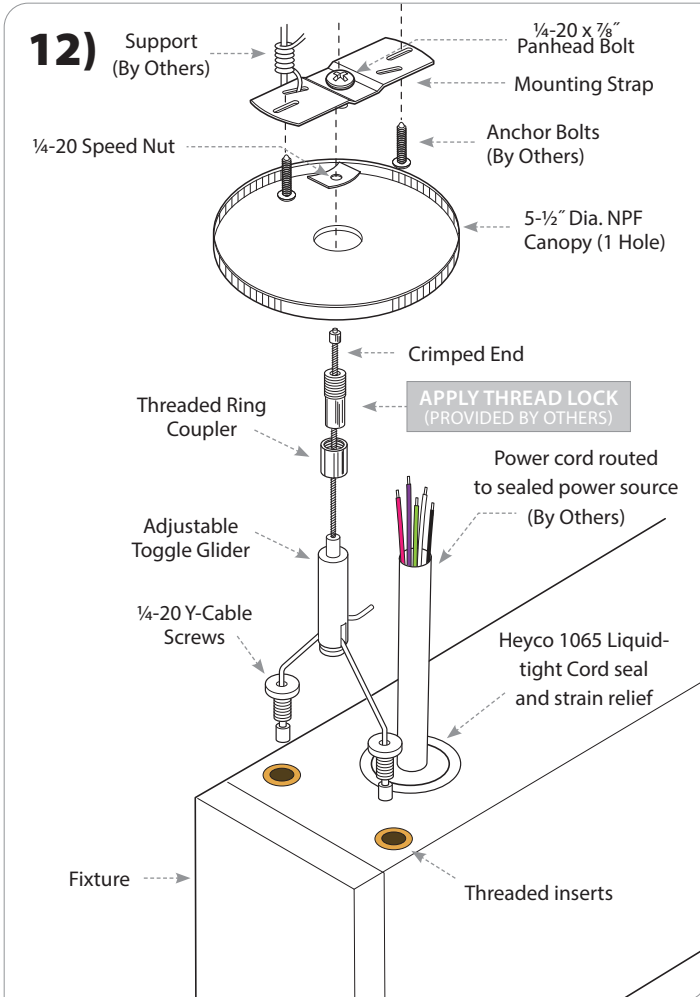


PRUDENTIAL LTG.

PRULITE.COM 213.746.0360

X1, X3, X6 — ROWS

⚠️ DO NOT BUILD ROWS ON FLOOR TO HOIST **👤 REQUIRES TWO PEOPLE TO INSTALL** **CORD SHIPPED INSTALLED**

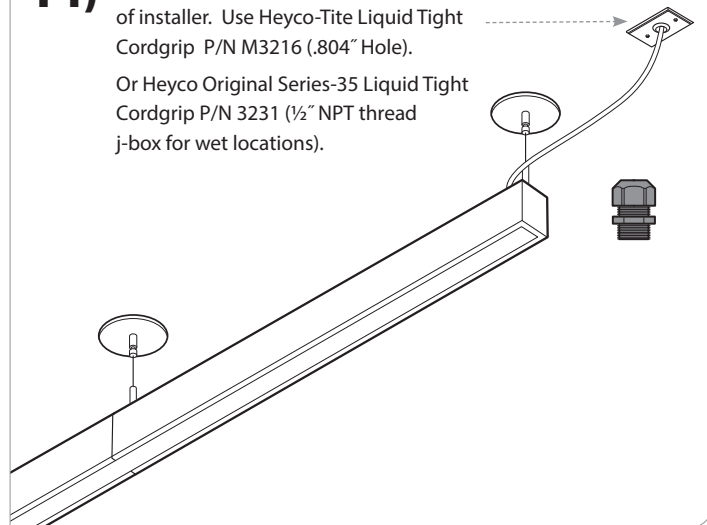


13) Make all wiring connections in ceiling (see table).

WIRING:

0-10V (+) : PURPLE	0-10V (-) : PINK
DALI (+) : PURPLE	DALI (-) : PINK
EcoSystem DALI (+) : PURPLE	EcoSystem DALI (-) : PINK
HOT : BLACK	
NEUTRAL : WHITE	
GROUND : GREEN	
CONSTANT HOT (EM) : RED	

14) Water-tight connection to j-box is responsibility of installer. Use Heyco-Tite Liquid Tight Cordgrip P/N M3216 (.804" Hole). Or Heyco Original Series-35 Liquid Tight Cordgrip P/N 3231 (1/2" NPT thread j-box for wet locations).



WARNING: Ground fixture in accordance with local and national electrical codes. Failure to do so may result in serious personal injury.



INSTALLATION
VIDEO



LENS INSTALLATION

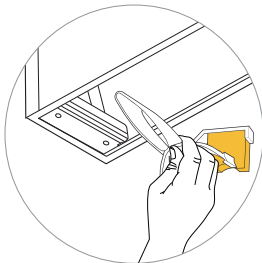
REQUIRES TWO PEOPLE TO INSTALL

⚠️ PRIOR TO INSTALLING LENS, ENERGIZE LEDS AND CONFIRM ALL ARE PROPERLY LIT BEFORE INSTALLING LENS

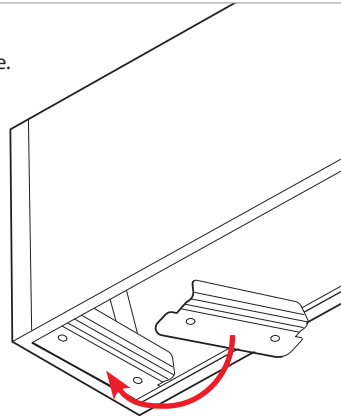
RECOMMENDED: Start lens installation from *LEFT* to *RIGHT*.



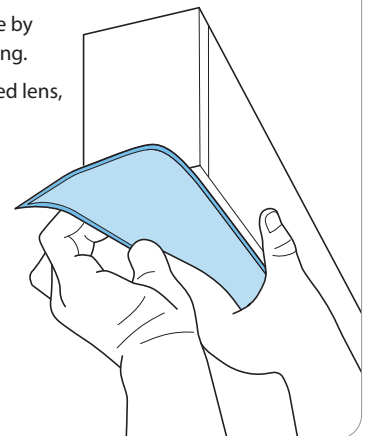
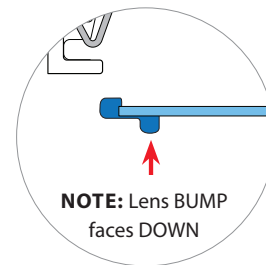
1) Insert clamp brackets at the **START** and **END** of the fixture.



Use handle of 'Lens Tool' to tap bracket into place.



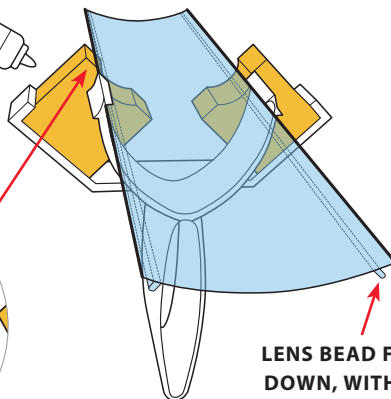
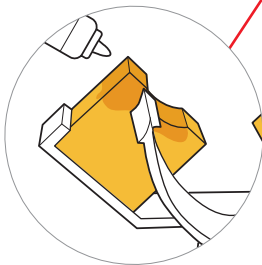
2) Insert lens into start of fixture by hand with an extra 3" overhang. Squeeze one edge of gasketed lens, then the other.



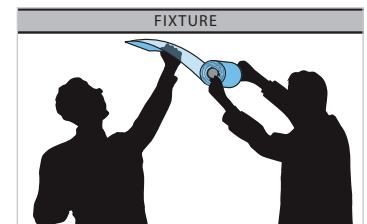
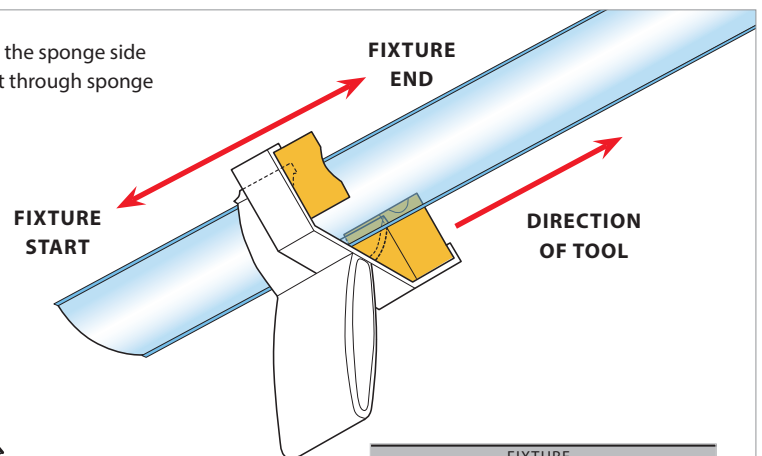
3) With lens partially inserted into fixture, snap lens into lens tool with the sponge side of tool facing the opposite end of fixture. Guide edges of lens gasket through sponge grooves. Apply lens lube liberally to sponge grooves on both sides.

Lens Lube

APPLY LENS LUBE TO SPONGE IN GROOVED AREAS



LENS BEAD FACING DOWN, WITH LENS BOWED OUT



WARNING: Ground fixture in accordance with local and national electrical codes. Failure to do so may result in serious personal injury.





INSTALLATION
VIDEO



PRUDENTIAL LTG.

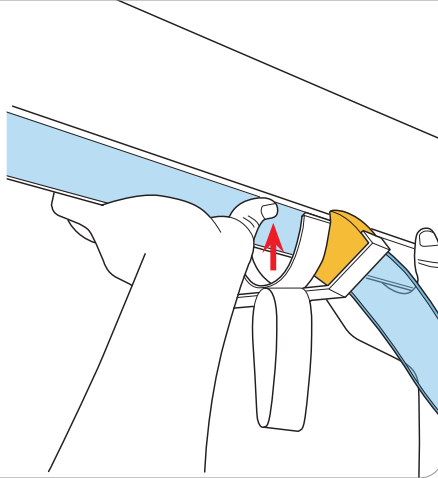
PRULITE.COM 213.746.0360

LENS INSTALLATION

REQUIRES TWO PEOPLE TO INSTALL

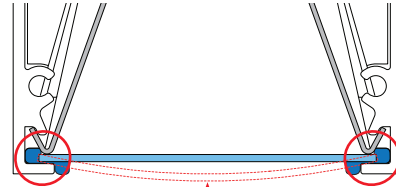
4a)

With lens inserted into tool, squeeze and push tool tabs into slots in fixture opening.



4b)

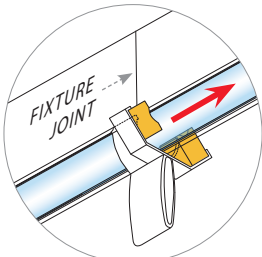
Apply pressure to the middle of the lens where it is bowed out. This will push the gasket into the lens slot. Ensure that the gasket is pressed firmly against the inside fixture lip.



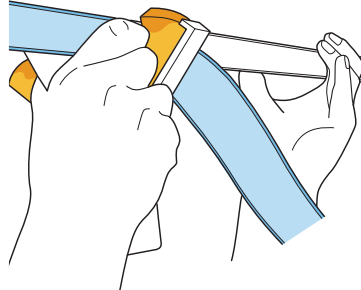
PUSH LENS FLAT WHERE IT IS BOWED OUT
GASKET BEAD MUST BE PRESSED UP
AGAINST INSIDE FIXTURE LIP

5) Slide Lens Tool forward to insert lens.

NOTE: Keep Lens Tool square, **DO NOT** twist.

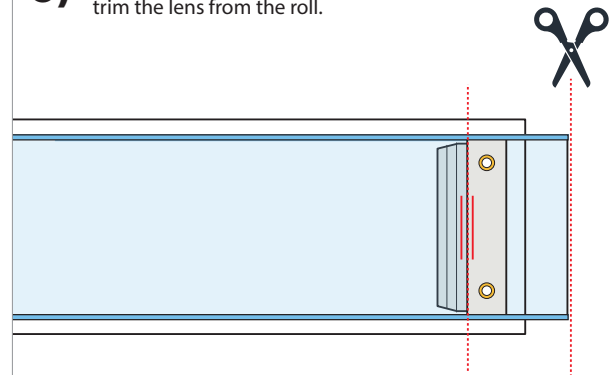


NOTE: Slow down sliding at fixture joints.



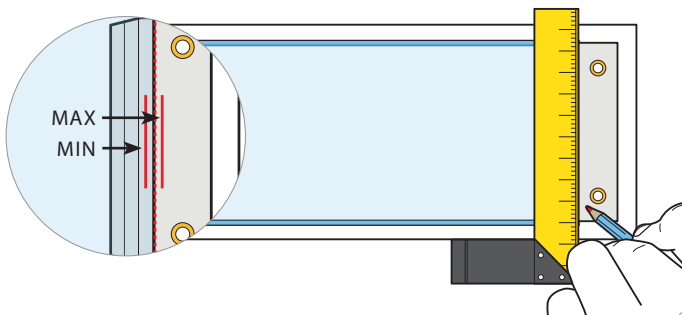
REAPPLY LUBRICANT TO SPONGES AS NEEDED.

6) Leaving an inch of lens at the END of the fixture, trim the lens from the roll.



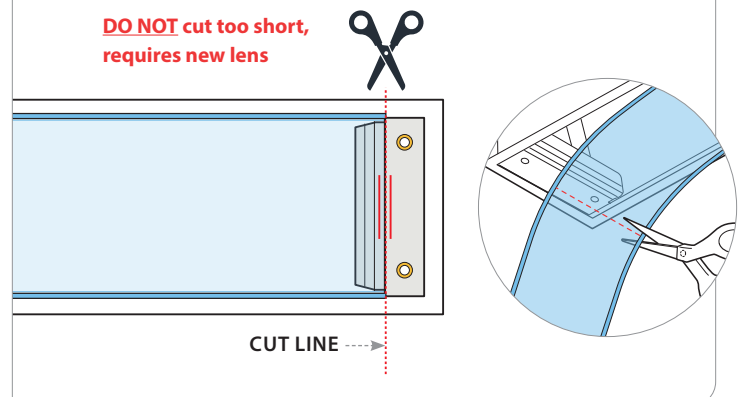
7) Using Square, mark side of fixture where to cut lens within 1/8" safety zone. Transfer CUT LINE to Lens, using square draw CUT LINE across lens.

NOTE: Mark as close to end cap as possible (max line).



8) CUT LENS: In order to not cut lens too short, it is easier to make multiple cuts that are gradually closer to marked line.

DO NOT cut too short, requires new lens



WARNING: Ground fixture in accordance with local and national electrical codes. Failure to do so may result in serious personal injury.



Prudential Ltg. reserves the right to change design specifications or materials without notice. Please visit prulite.com for most current data.
© 2014 All rights reserved - All products manufactured at: Prudential Ltg. 1774 E. 21st Street, Los Angeles, CA 90058



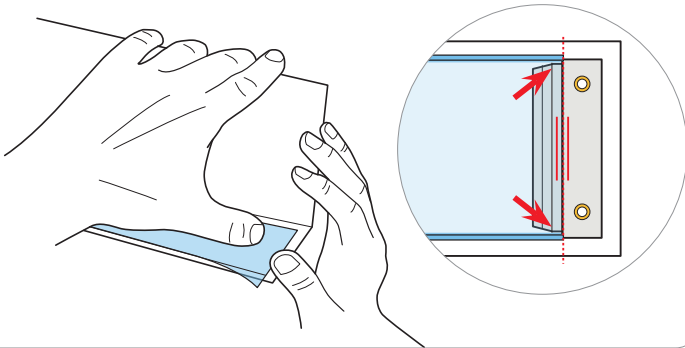
INSTALLATION
VIDEO



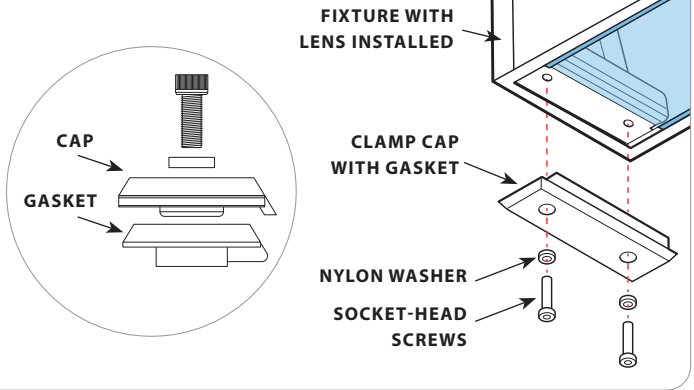
LENS INSTALLATION

REQUIRES TWO PEOPLE TO INSTALL

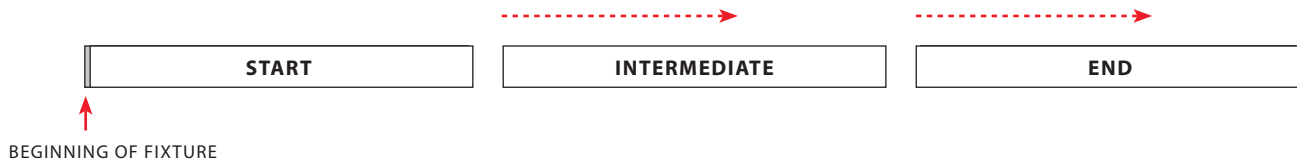
- 9)** As you near the end of the fixture, remove lens tool and install remaining lens by hand. Tuck the end sections of gasket between the bracket and the inside of the lens opening.



- 10)** Install Clamp cap with gasket using $\frac{7}{64}$ " HEX socket. Hand tighten screws.



- 10)** Repeat lens trimming and clamp cap installation at beginning of fixture.



WARNING: Ground fixture in accordance with local and national electrical codes. Failure to do so may result in serious personal injury.

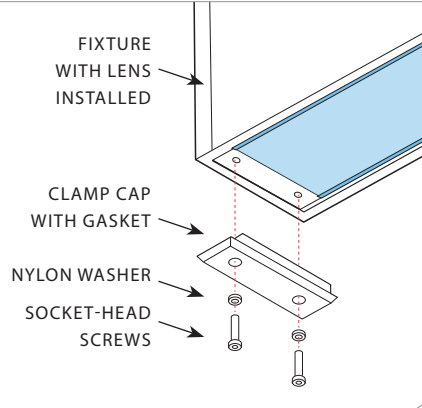


LENS REMOVAL

REQUIRES TWO PEOPLE TO INSTALL

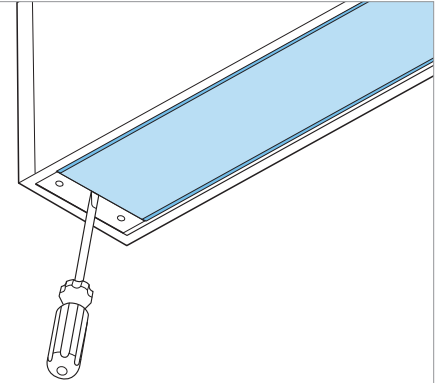
1)

Use a $\frac{7}{64}$ " hex wrench to remove socket head screws to release Clamp Caps from both ends of fixture.



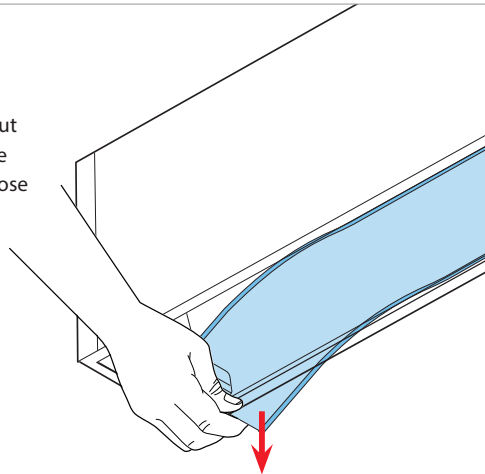
2)

Pry the lens loose at the end with a small slotted screwdriver just enough to make some space between the lens and the bracket



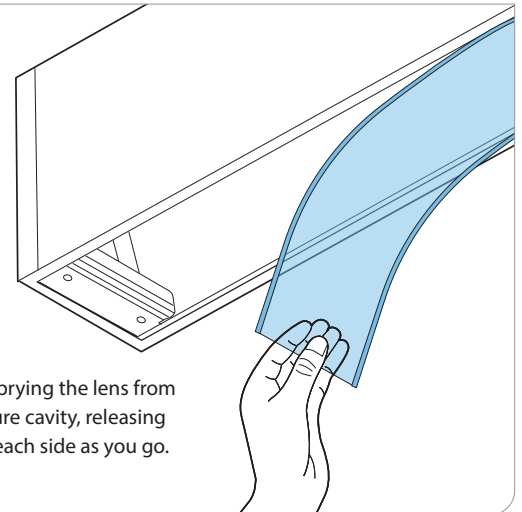
3)

Use your fingers to gently pry the lens out from the center while pulling the gasket loose from the lens slot.



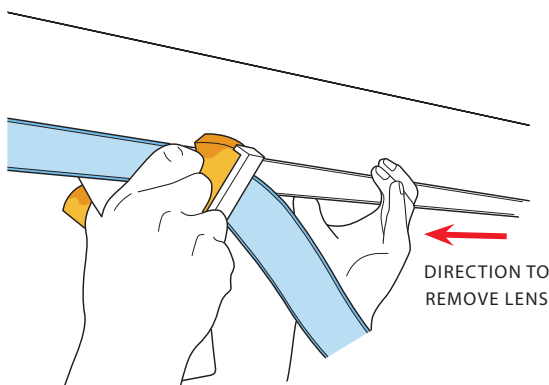
4)

Continue slowly prying the lens from inside of the fixture cavity, releasing the gasket from each side as you go.



5)

Feed lens into lubricated tool and slowly reverse direction of install, pulling lens out as you go.



WARNING: Ground fixture in accordance with local and national electrical codes. Failure to do so may result in serious personal injury.