



BionicPro delivers again. You're welcome!

Continuous lines of clean, seamless light with an IP65 & 66 wet listed rating. No door frames or broken lines of light. Gasketed lens for fully protected fixture (not just LED array). Indoor aesthetics taken outdoors for a consistent look.

Batwing, Wall Wash, Graze, Room Fill Distributions with just a lens change. Wash walkways with light from the perimeter, wash or graze a building facade, with seamless lines of light.



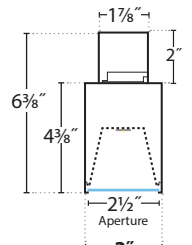
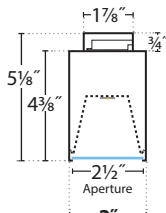
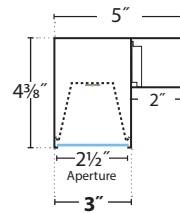
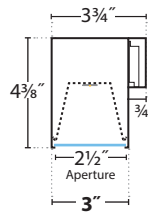
CHANNELS:

WMC — WALL

WMC2 — WALL

WMC — SURFACE

WMC2 — SURFACE



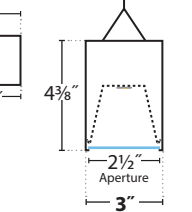
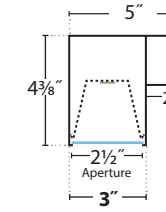
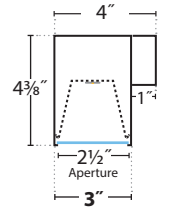
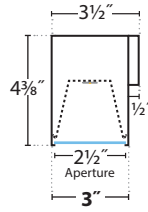
BRACKETS:

WMU — WALL

WMU1 — WALL

WMU2 — WALL

CA



Lumen output may vary +/- 5%
Light Loss Factor (LLF) for CCTs other than 3500K:
 4000K +2%, 3000K -5%, 2700K -20% 90 CRI -15%
 (3K, 3500K, 4K & 5K)

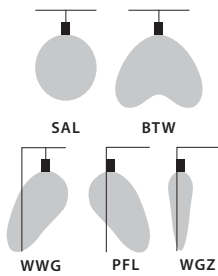
See LED Details PDF for more info

LUMEN CHART:

	LO	MO	SO	HO
SAL Lm/Ft	475	700	975	1225
BTW Lm/Ft	475	700	975	1225
WWG Lm/Ft	475	700	975	1225
PFL Lm/Ft	475	700	975	1225
WGZ Lm/Ft	475	700	975	1225
W	3.8	5.6	7.8	10.5



SERIES	LENS POS.	LED COLOR	OUT-PUT	LENGTH	FINISH COLOR	DISTRI-BUTION	CIRCU-ITING	VOLT-AGE	MOUNT-ING	MOUNTING LOCATION	CEILING SYSTEMS	DRIVERS & CONTROLS	OP-TIONS
WETBPRO3-LIN	FLSH						SC				X3		
BionicPro 3" Linear	FLSH Flush Lens	LED27 2700K (90CRI) LED3 3000K LED35 3500K LED4 4000K LED3-90 3000K (90CRI) LED35-90 3500K (90CRI) LED4-90 4000K (90CRI) LED5-90 5000K (90CRI) PRUHUES: BLU3S Static BLU3D* Dynamic BLU35S BLU35D* BLU4S BLU4D* TU TuHue 2700-6500K Tunable White TU2 TuHue 2200-5000K Tunable White AMB AmberHue Warm Dim 2200K-5000K CHR ChromaHue RGBW (DMX at HO only)	LO Low MO Me-dium SO Stan-dard HO High R (Row Length, 1" increments) PROG Pro-gram-mable Light Output (Specify desired lm/ft or w/ft) SRL Sym-metric Row Length	2' 3' 4' 5' 6' 7' 8'	WetTMW Wet Textured White Semi-gloss WetYBB Wet Black Semi-gloss WetYPE Wet Pewter Matte WetYBR Wet Bronze Semi-gloss	SAL Satin Lens BTW Batwing PFL Perimeter Room Fill WWG Focal Glow Wall Wash WGZ Wide Wall Graze	SC Single Circuit	UNV (120-277) 347 (Emergency battery requires remote driver box)	(SPECIFY MOUNTING LOCATION IN NEXT COLUMN →) WMC (Channel) .75" Tall Continuous Channel WMC2 (Channel) 2" Tall Continuous Channel WMU (Bracket) .5" Tall Bracket WMU1 (Bracket) 1" Tall Bracket WMU2 (Bracket) 2" Tall Bracket CA96" Aircraft Cable (NOT for outside installs where wind can swing fixtures)	WALL (For Wall or Mullion Mount) SUR Ceiling (NA on CA)	X3 Hard Ceiling	ND Non-Dimming DM01 0-10v, 1% Dimming (Standard) LDE1 Hi-lume 1% EcoSystem LED (Soft fade on, fade-to-black dimming) ECO 1% 0-10v, EldoLED (Logarithmic dimming std) ECDA 1% DALI, EldoLED (Logarithmic dimming std) nLight-Air includes rIO nLight-Wired Acuity nLight Drivers SOLO 0.1% 0-10v, EldoLED (Dim-to-dark, Logarithmic dimming std) SODA 0.1% DALI, EldoLED (Dim-to-dark, Logarithmic dimming std) STEP Signify Advance Step Dimming 2WIRE ELV/Forward/Reverse Phase Driver PRUHUES: E10V 2 Channel Color Control EDALI 2 Channel Color Control EDMX ChromaHue or Static White	EMC Emergency Circuiting EF Power End Feed (NA: CA Aircraft Cable) COS Custom On-Center Spacing for Wall/Surface Brackets (See pages 7+8)





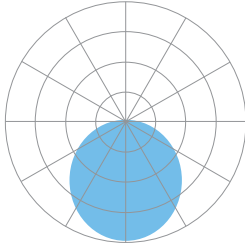
FLSH:

SATIN LENS

STANDARD OUTPUT:

WETBIOPRO3-LIN-FLSH-LED35-SO-04-SAL

3859 Delivered Lumens
32 Watts
122 lm/w
3500 CCT



1619

Zonal Lumen Summary:
0-90 = 100%

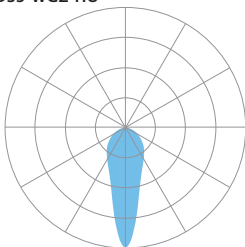
Vertical Angle	0°	25°	45°	65°	90°
0°	1619	1619	1619	1619	1619
5°	1614	1607	1600	1607	1610
15°	1538	1523	1502	1495	1493
25°	1393	1367	1326	1302	1294
35°	1192	1160	1103	1070	1059
45°	960	922	869	838	827
55°	715	685	644	618	609
65°	478	445	420	402	397
75°	247	224	212	205	203
85°	53	50	51	49	48
90°	0	0	0	0	0

WIDE WALL GRAZE

HIGH OUTPUT:

WETBIOPRO3-LIN-FLSH-LED35-WGZ-HO

4983 Delivered Lumens
42 Watts
119 lm/w
3500 CCT



2442

Zonal Lumen Summary:
0-90 = 100%

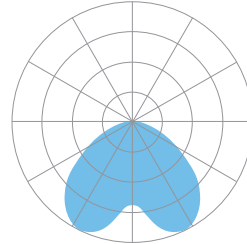
Vertical Angle	0°	25°	45°	65°	90°
0°	1907	1907	1907	1907	1907
5°	2107	2099	2035	1962	1811
15°	2429	2385	2221	1998	1723
25°	2442	2408	2254	1915	1553
35°	1192	1160	1103	1070	1059
45°	1339	1409	1595	1381	1051
55°	832	887	1082	989	767
65°	479	506	639	609	495
75°	221	233	297	297	257
85°	38	40	61	49	51
90°	0	0	0	0	0

BATWING

HIGH OUTPUT:

WETBIOPRO3-LIN-FLSH-LED35-BTW-HO

4931 Delivered Lumens
42 Watts
117 lm/w
3500 CCT



1399

Zonal Lumen Summary:
0-90 = 100%

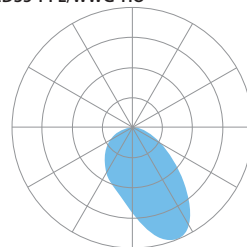
Vertical Angle	0°	22.5°	45°	67.5°	90°
0°	1327	1327	1327	1327	1327
5°	1323	1332	1360	1377	1399
15°	1212	1320	1535	1690	1759
25°	1030	1264	1651	1847	1894
35°	837	1152	1605	1767	1781
45°	674	982	1417	1500	1459
55°	536	771	729	673	615
65°	391	536	420	402	397
75°	222	293	368	330	298
85°	60	79	83	77	58
90°	0	0	0	0	0

ROOM FILL / FOCAL GLOW WALL WASH

HIGH OUTPUT:

WETBIOPRO3-LIN-FLSH-LED35-PFL/WWG-HO

4983 Delivered Lumens
42 Watts
119 lm/w
3500 CCT



2442

Zonal Lumen Summary:
0-90 = 100%

Vertical Angle	0°	25°	45°	65°	90°
0°	1907	1907	1907	1907	1907
5°	2107	2099	2035	1962	1811
15°	2429	2385	2221	1998	1723
25°	2442	2408	2254	1915	1553
35°	1192	1160	1103	1070	1059
45°	1339	1409	1595	1381	1051
55°	832	887	1082	989	767
65°	479	506	639	609	495
75°	221	233	297	297	257
85°	38	40	61	49	51
90°	0	0	0	0	0

LUMEN MAINTENANCE

L70 — 200,000+ Hours
L90 — 100,000+ Hours
(LO, MO & SO)
L90 — 60,000+ Hours (HO)

LED SYSTEM LED modules and drivers are field replaceable.

PROG (OPTIONAL) Programmable light output. Specify desired lumens or watts per linear foot.

BINNING Standard binning (all Prudential LED boards) includes testing at the chip level and board integration to provide consistent color temperature within a 3-step MacAdams ellipse, with +/- 5% lumen output range and +/- .004 Duv.

LABELS CSA and ETL wet labeled (downlight only), IP65 for continuous rows, IP66 for individual fixtures (up to 8'), and I.B.E.W. manufactured. Impact rating of IK08.

ELECTRICAL Must specify LED dimming controls. LED fixtures have constant current driver(s) with less than 20% THD when loaded to a minimum of 60%. Drivers sink a maximum of 6mA per driver. DM01 LED drivers are 0-10V dimmable and are compatible with most 0-10V wall slide dimmers and direct 0-10V analog signal dimmers. Max driver size 1.65" w x 1.25" h.

CONSTRUCTION

Housing Extruded aluminum housing and side wall >25% PC recycled, 100% recyclable.

Lens Seamless lens up to 200". Consult factory for longer lengths. Polymer, 100% recyclable.

Weight 3.5 lbs/ft

MOUNTING

Surface standoff mounted to walls or ceilings (downlight only) via channel or mullion, suspended by cable.

WARRANTY

Single-source, 5 year limited warranty covers standard components and construction.

FINISH COLORS

WetTMW – White (Semi Gloss)

WetYBB – Black (Semi Gloss)

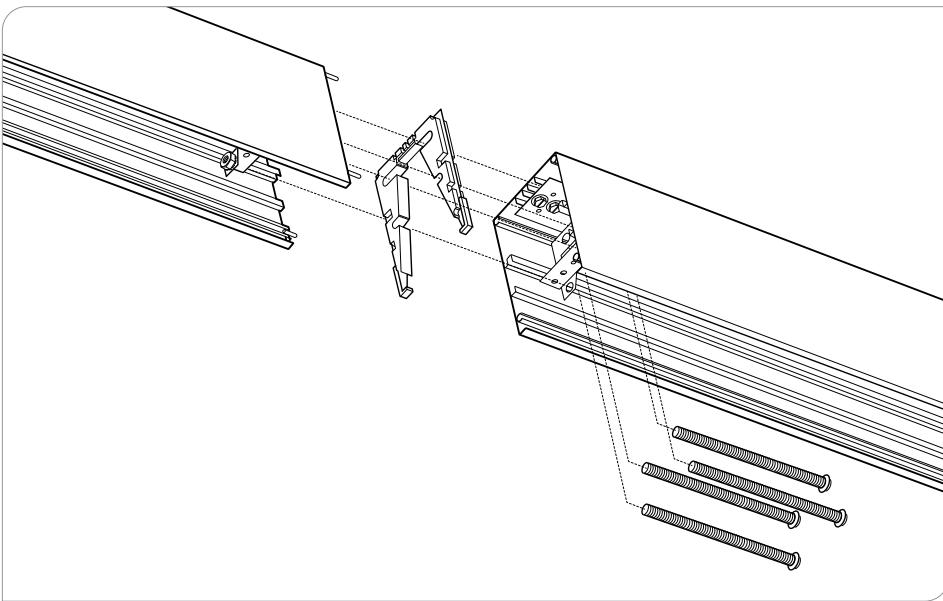
WetYPE – Pewter (Matte)

WetYBR – Bronze (Semi Gloss)

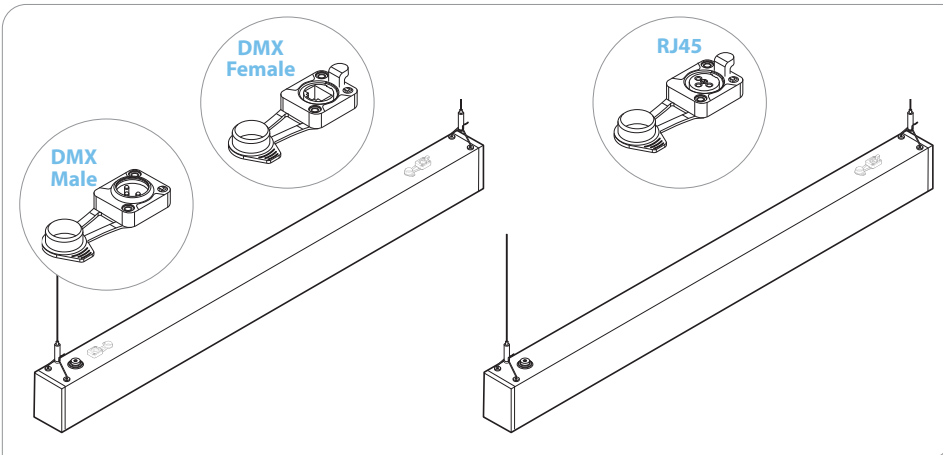
For paint chip samples, please email: info@prulite.com



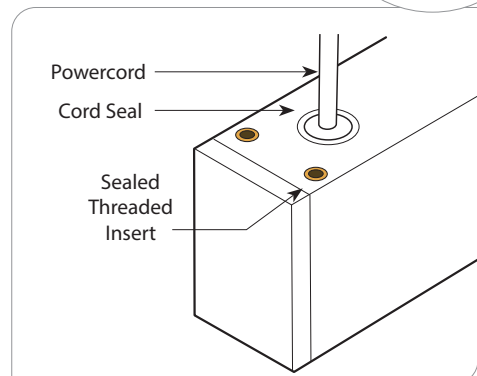
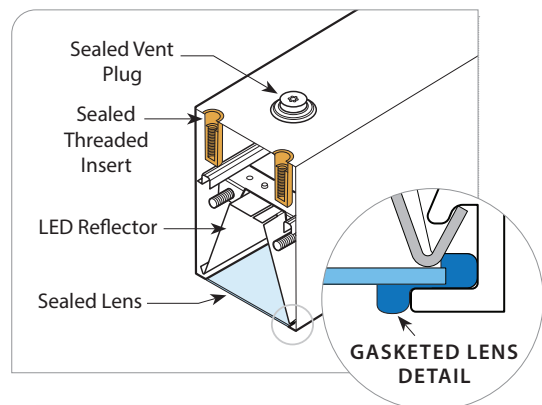
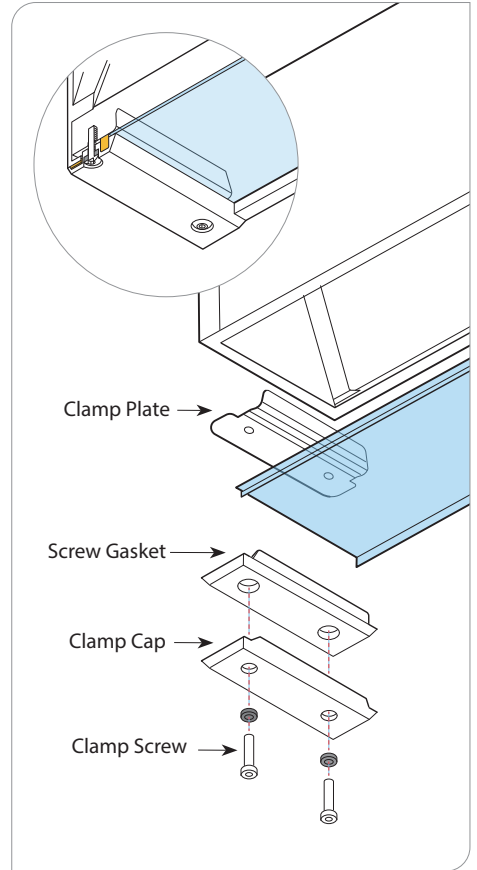
ADJOINING DETAIL



DMX / CAT5 CONNECTORS



RUGGED DURABILITY

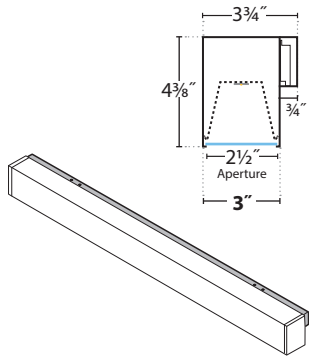




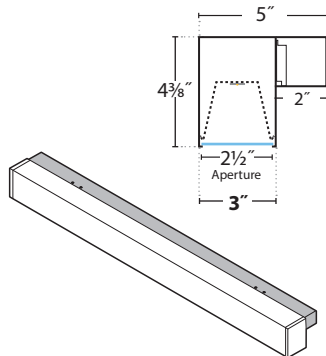
Why Channels?

Channels provide maximum flexibility in mounting points on the ceiling/wall (drilled in the field into structure).
 2 mounting points per channel required, all channels are the length of the fixture. .75" Channel accommodates Wet SOOW cord (8 foot, 6 conductor cord), 2" Channel accommodates Iquittite Flex with sealed connectors (6' long 6' conductor cord).

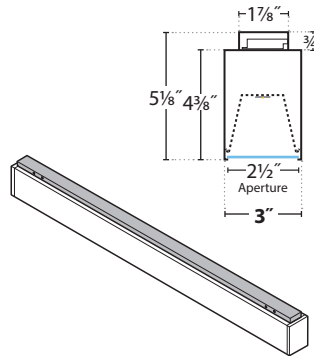
WMC — WALL



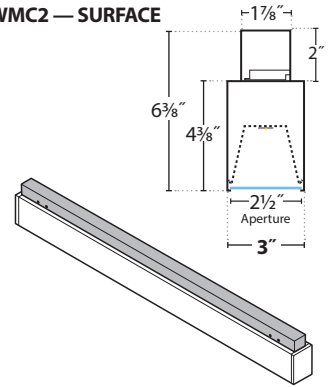
WMC2 — WALL



WMC — SURFACE



WMC2 — SURFACE



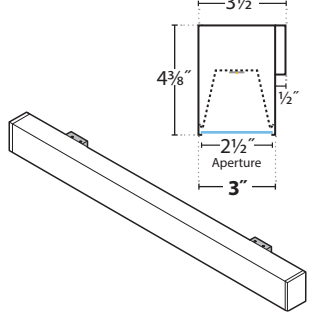
Why Brackets?

Clean look. Two options.

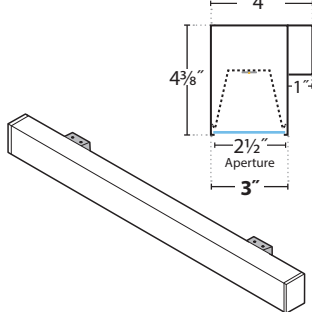
1. Installed at our standard dimensions (see page 8).
2. COS (Custom on-center spacing) — Provide dimensions and our factory will install bracket cleats at provided dimensions.



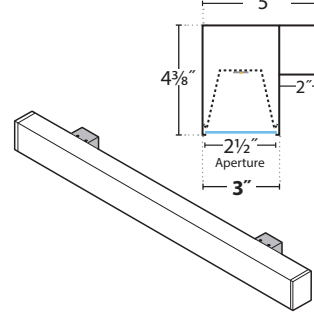
WMU — WALL



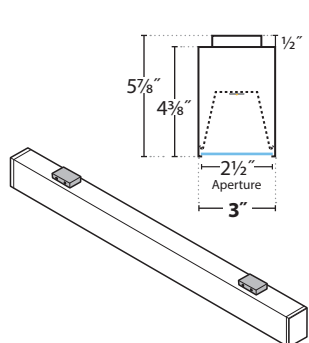
WMU1 — WALL



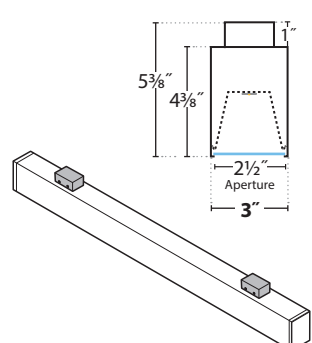
WMU2 — WALL



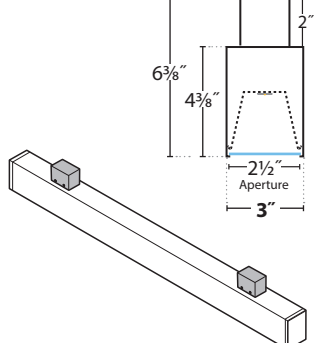
WMU — SURFACE



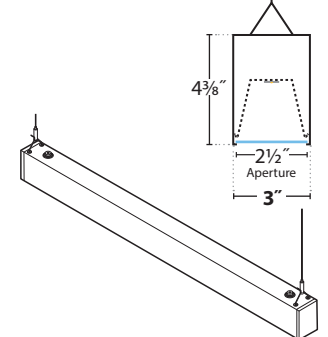
WMU1 — SURFACE



WMU2 — SURFACE



CA — CABLE MOUNT



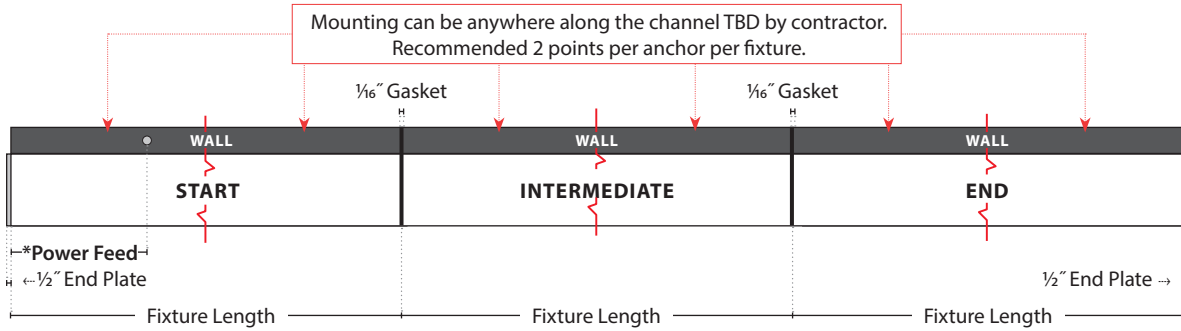
See page 9 for mounting dimensions.



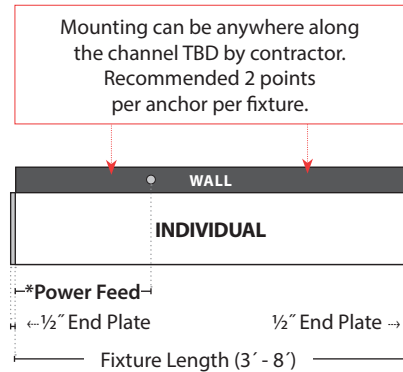
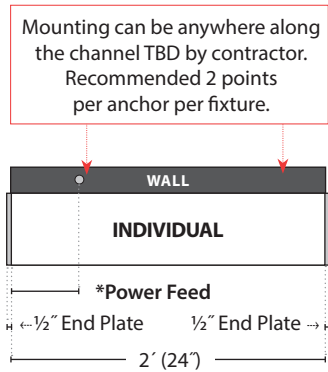
WMC/WMC2 (CHANNELS): WALL — MOUNTING

NOTE: 2' ROW FIXTURES NOT AVAILABLE

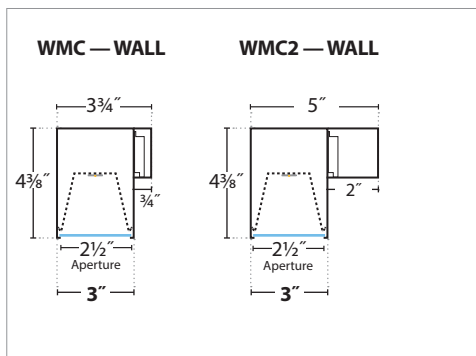
○ POWER FEED



INDIVIDUAL (2'):



	FIXTURE LENGTHS	
	*Power Feed	All
2'	4"	24"
3'	10"	36"
4'	10"	48"
5'	10"	60"
6'	36"	72"
7'	42"	84"
8'	48"	96"

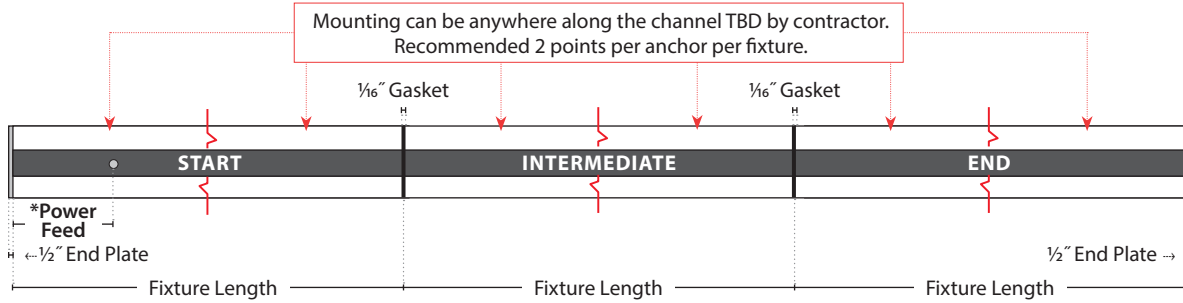




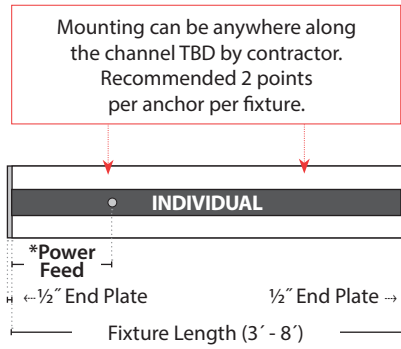
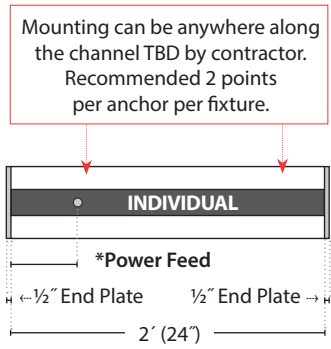
WMC/WMC2 (CHANNELS): SURFACE — MOUNTING

NOTE: 2' ROW FIXTURES NOT AVAILABLE

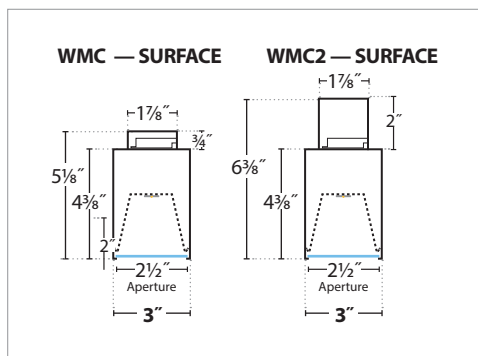
○ POWER FEED



INDIVIDUAL (2'):



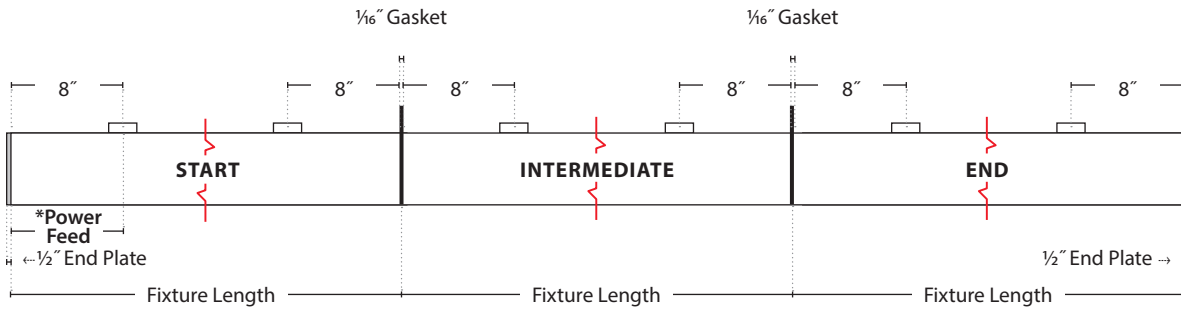
	FIXTURE LENGTHS	
	*Power Feed	All
2'	4"	24"
3'	6"	36"
4'	6"	48"
5'	6"	60"
6'	36"	72"
7'	42"	84"
8'	48"	96"



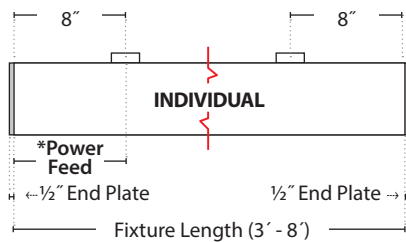
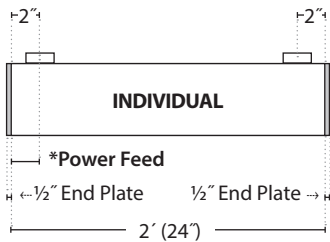


WMU/WMU1/WMU2 (BRACKETS): WALL — MOUNTING

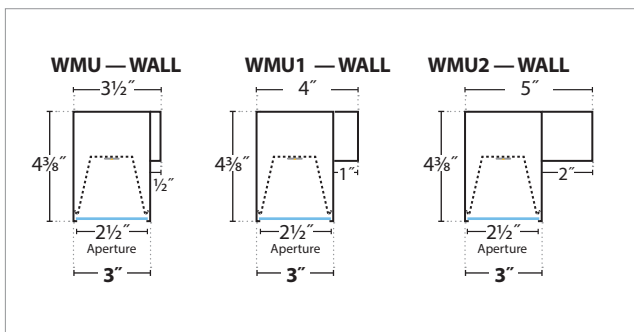
NOTE: 2' ROW FIXTURES NOT AVAILABLE



INDIVIDUAL (2')



	FIXTURE LENGTHS		MOUNTING LOCATIONS		COS (Custom On-Center Spacing)
	*Power Feed	All	Start / Intermediate / End	Individual	
2'	2"	24"	—	20"	Customer to provide on-center mounting dimensions, PRU will pre-drill and mount Brackets
3'	8"	36"	20"	20"	
4'	8"	48"	32"	32"	
5'	8"	60"	44"	44"	
6'	8"	72"	56"	56"	
7'	8"	84"	68"	68"	
8'	8"	96"	80"	80"	

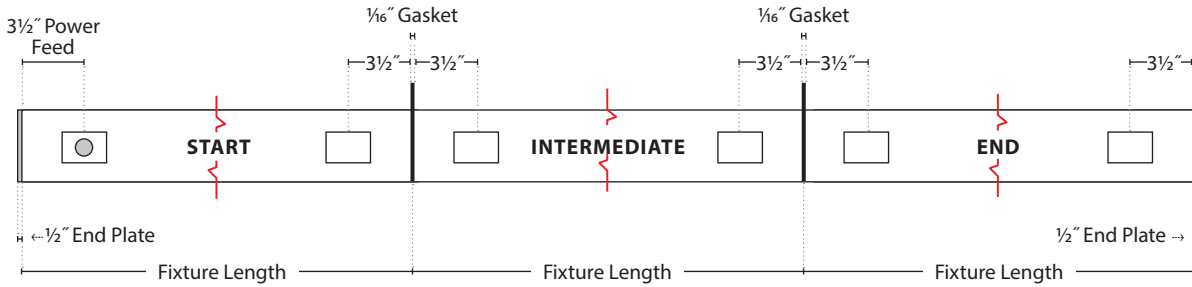




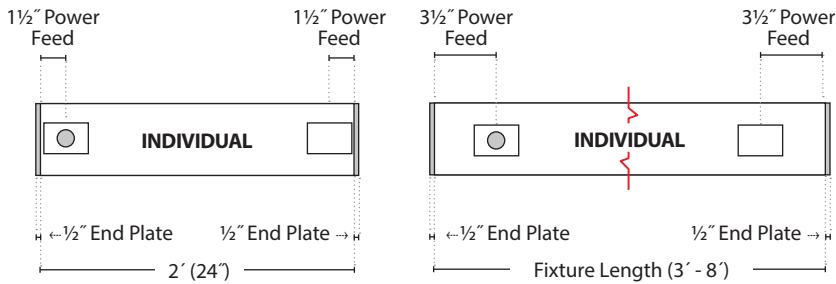
WMU/WMU1/WMU2 (BRACKETS): SURFACE — MOUNTING

NOTE: 2' ROW FIXTURES NOT AVAILABLE

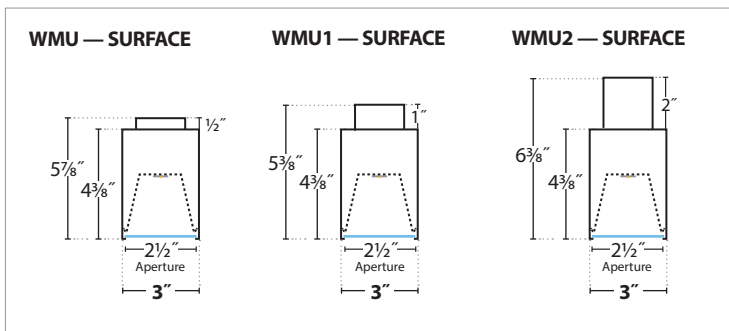
○ POWER FEED



INDIVIDUAL (2'):



FIXTURE LENGTHS	MOUNTING LOCATIONS			COS (Custom On-Center Spacing)
	All	Start / Intermediate / End	Individual	
2'	24"	—	21"	Customer to provide on-center mounting dimensions, PRU will pre-drill and mount Brackets
3'	36"	29"	29"	
4'	48"	41"	41"	
5'	60"	53"	53"	
6'	72"	65"	65"	
7'	84"	77"	77"	
8'	96"	89"	89"	

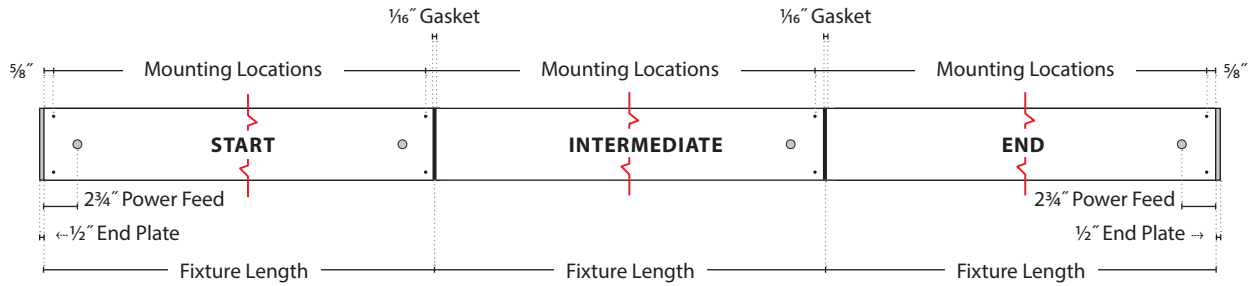




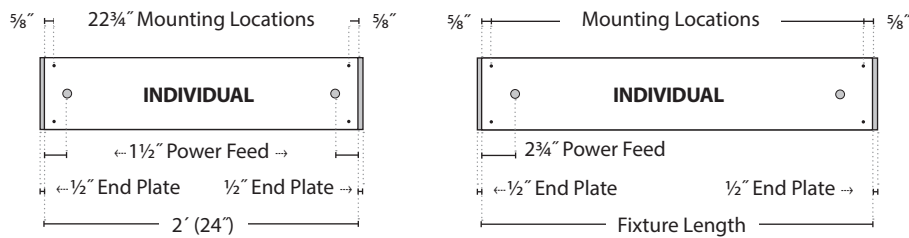
CABLE (CA) — MOUNTING

NOTE: 2' ROW FIXTURES NOT AVAILABLE

○ POWER FEED

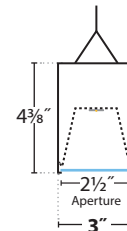


INDIVIDUAL (2')



FIXTURE LENGTHS	MOUNTING LOCATIONS			
	All	Start	Intermediate / End	Individual
2'	24"	—	—	22 3/4"
3'	36"	34 3/4"	36 1/16"	34 3/4"
4'	48"	46 3/4"	48 1/16"	46 3/4"
5'	60"	58 3/4"	60 1/16"	58 3/4"
6'	72"	70 3/4"	72 1/16"	70 3/4"
7'	84"	82 3/4"	84 1/16"	82 3/4"
8'	96"	94 3/4"	96 1/16"	94 3/4"

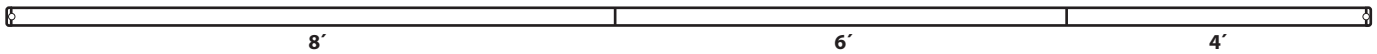
CA — CABLE MOUNT



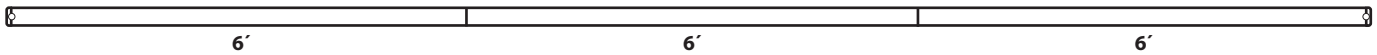


ROW BUILDER

18' STANDARD ROW LENGTH:



18' SYMMETRIC ROW LENGTH (SRL):



STANDARD

ROW LENGTH		
9'	5+4	5FT STR + 4FT END
10'	6+4	6FT STR + 4FT END
11'	7+4	7FT STR + 4FT END
12'	8+4	8FT STR + 4FT END
13'	8+5	8FT STR + 5FT END
14'	8+6	8FT STR + 6FT END
15'	8+7	8FT STR + 7FT END
16'	8+8	8FT STR + 8FT END
17'	8+5+4	8FT STR + 5FT INT + 4FT END
18'	8+6+4	8FT STR + 6FT INT + 4FT END
19'	8+7+4	8FT STR + 7FT INT + 4FT END
20'	8+8+4	8FT STR + 8FT INT + 4FT END
21'	8+8+5	8FT STR + 8FT INT + 5FT END
22'	8+8+6	8FT STR + 8FT INT + 6FT END
23'	8+8+7	8FT STR + 8FT INT + 7FT END
24'	8+8+8	8FT STR + 8FT INT + 8FT END
25'	8+8+5+4	8FT STR + 8FT INT + 5FT INT + 4FT END
26'	8+8+6+4	8FT STR + 8FT INT + 6FT INT + 4FT END
27'	8+8+7+4	8FT STR + 8FT INT + 7FT INT + 4FT END
28'	8+8+8+4	8FT STR + (2) 8FT INT + 4FT END
29'	8+8+8+5	8FT STR + (2) 8FT INT + 5FT END
30'	8+8+8+6	8FT STR + (2) 8FT INT + 6FT END
31'	8+8+8+7	8FT STR + (2) 8FT INT + 7FT END
32'	8+8+8+8	8FT STR + (2) 8FT INT + 8FT END
33'	8+8+8+5+4	8FT STR + (2) 8FT INT + 5FT INT + 4FT END
34'	8+8+8+6+4	8FT STR + (2) 8FT INT + 6FT INT + 4FT END
35'	8+8+8+7+4	8FT STR + (2) 8FT INT + 7FT INT + 4FT END
36'	8+8+8+8+4	8FT STR + (3) 8FT INT + 4FT END
37'	8+8+8+8+5	8FT STR + (3) 8FT INT + 5FT END
38'	8+8+8+8+6	8FT STR + (3) 8FT INT + 6FT END
39'	8+8+8+8+7	8FT STR + (3) 8FT INT + 7FT END
40'	8+8+8+8+8	8FT STR + (3) 8FT INT + 8FT END
41'	8+8+8+8+5+4	8FT STR + (3) 8FT INT + 5FT INT + 4FT END
42'	8+8+8+8+6+4	8FT STR + (3) 8FT INT + 6FT INT + 4FT END
43'	8+8+8+8+7+4	8FT STR + (3) 8FT INT + 7FT INT + 4FT END
44'	8+8+8+8+8+4	8FT STR + (4) 8FT INT + 4FT END
45'	8+8+8+8+8+5	8FT STR + (4) 8FT INT + 5FT END
46'	8+8+8+8+8+6	8FT STR + (4) 8FT INT + 6FT END
47'	8+8+8+8+8+7	8FT STR + (4) 8FT INT + 7FT END
48'	8+8+8+8+8+8	8FT STR + (4) 8FT INT + 8FT END
49'	8+8+8+8+8+5+4	8FT STR + (4) 8FT INT + 5FT INT + 4FT END
50'	8+8+8+8+8+6+4	8FT STR + (4) 8FT INT + 6FT INT + 4FT END

SYMMETRICAL

ROW LENGTH		
9'	3+3+3	3FT STR + 3FT INT + 3FT END
10'	5+5	5FT STR + 5FT END
11'	4+3+4	4FT STR + 3FT INT + 4FT END
12'	6+6	6FT STR + 6FT END
13'	4+5+4	4FT STR + 5FT INT + 4FT END
14'	7+7	7FT STR + 7FT END
15'	5+5+5	5FT STR + 5FT INT + 5FT END
16'	8+8	8FT STR + 8FT END
17'	6+5+6	6FT STR + 5FT INT + 6FT END
18'	6+6+6	6FT STR + 6FT INT + 6FT END
19'	6+7+6	6FT STR + 7FT INT + 6FT END
20'	8+4+8	8FT STR + 4FT INT + 8FT END
21'	8+5+8	8FT STR + 5FT INT + 8FT END
22'	8+6+8	8FT STR + 6FT INT + 8FT END
23'	8+7+8	8FT STR + 7FT INT + 8FT END
24'	8+8+8	8FT STR + 8FT INT + 8FT END
25'	6+4+5+4+6	6FT STR + 4FT INT + 5FT INT + 4FT INT + 6FT END
26'	8+5+5+8	8FT STR + (2) 5FT INT + 8FT END
27'	6+5+5+5+6	6FT STR + (3) 5FT INT + 6FT END
28'	8+6+6+8	8FT STR + (2) 6FT INT + 8FT END
29'	8+4+5+4+8	8FT STR + 4FT INT + 5FT INT + 4FT INT + 8FT END
30'	8+7+7+8	8FT STR + (2) 7FT INT + 8FT END
31'	8+5+5+5+8	8FT STR + (3) 5FT INT + 8FT END
32'	8+8+8+8	8FT STR + (2) 8FT INT + 8FT END
33'	8+6+5+6+8	8FT STR + 6FT INT + 5FT INT + 6FT INT + 8FT END
34'	8+6+6+6+8	8FT STR + 6FT INT + 6FT INT + 6FT INT + 8FT END
35'	8+6+7+6+8	8FT STR + 6FT INT + 7FT INT + 6FT INT + 8FT END
36'	8+8+4+8+8	8FT STR + 8FT INT + 4FT INT + 8FT INT + 8FT END
37'	8+8+5+8+8	8FT STR + 8FT INT + 5FT INT + 8FT INT + 8FT END
38'	8+8+6+8+8	8FT STR + 8FT INT + 6FT INT + 8FT INT + 8FT END
39'	8+8+7+8+8	8FT STR + 8FT INT + 7FT INT + 8FT INT + 8FT END
40'	8+8+8+8+8	8FT STR + (3) 8FT INT + 8FT END
41'	8+6+4+5+4+6+8	8FT STR + 6FT INT + 4FT INT + 5FT INT + 4FT INT + 6FT INT + 8FT END
42'	8+8+5+5+8+8	8FT STR + 8FT INT + (2) 5FT INT + 8FT INT + 8FT END
43'	8+6+5+5+5+6+8	8FT STR + 6FT INT + (3) 5FT INT + 6FT INT + 8FT END
44'	8+8+6+6+8+8	8FT STR + 8FT INT + (2) 6FT INT + 8FT INT + 8FT END
45'	8+8+4+5+4+8+8	8FT STR + 8FT INT + 4FT INT + 5FT INT + 4FT INT + 8FT INT + 8FT END
46'	8+8+7+7+8+8	8FT STR + 8FT INT + (2) 7FT INT + 8FT INT + 8FT END
47'	8+8+5+5+5+8+8	8FT STR + 8FT INT + (3) 5FT INT + 8FT INT + 8FT END
48'	8+8+8+8+8+8	8FT STR + (4) 8FT INT + 8FT END
49'	8+8+6+5+6+8+8	8FT STR + 8FT INT + 6FT INT + 5FT INT + 6FT INT + 8FT INT + 8FT END
50'	8+8+6+6+6+8+8	8FT STR + 8FT INT + (3) 6FT INT + 8FT INT + 8FT END

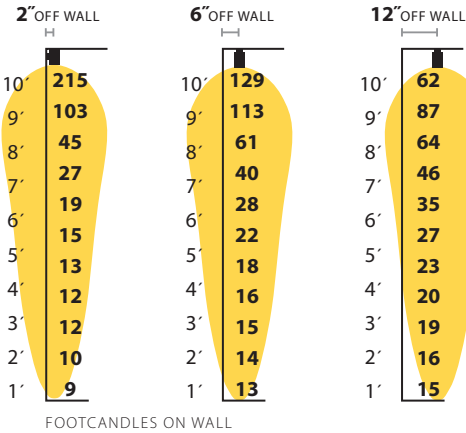


DISTRIBUTIONS

ALL FIXTURES AT 50 OUTPUT, 10' MOUNTING HEIGHT

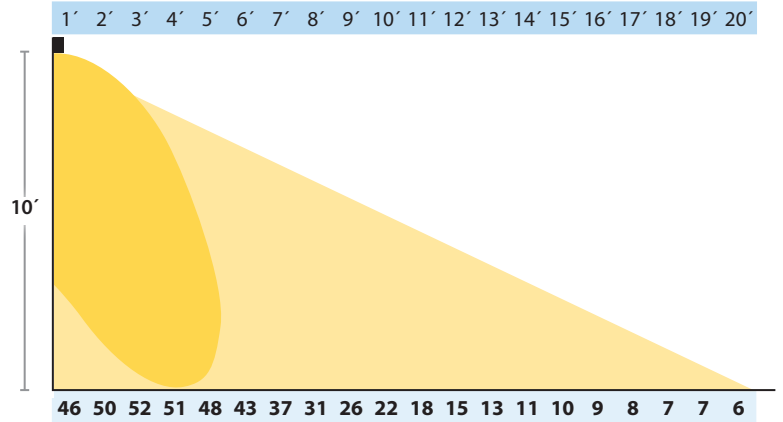
Wide Wall Graze (WWG)

Wall grazing performance often better just off a wall.



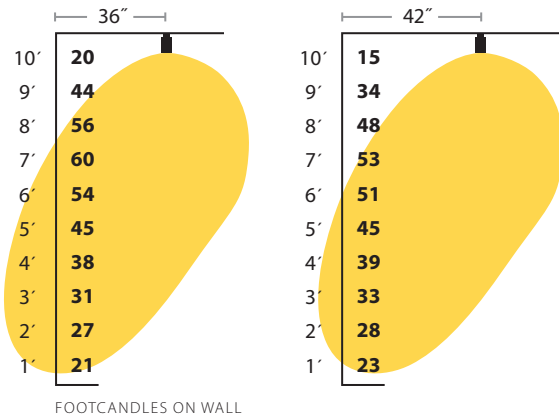
Perimeter Fill (PFL)

Wash a space in light from one side of the perimeter.

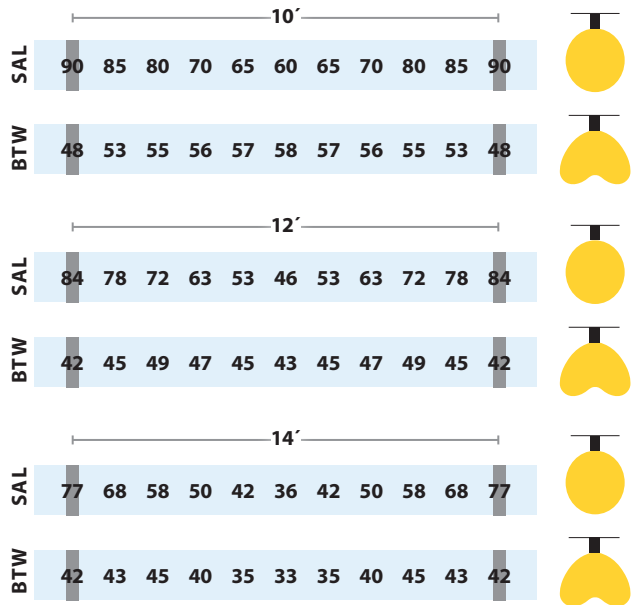


Focal Glow Wall Wash (WWG)

Pique interest by giving works of art 'pop' — more light at eye level.



Satin (SAL) Vs. Batwing (BTW)



Lumen Outputs:

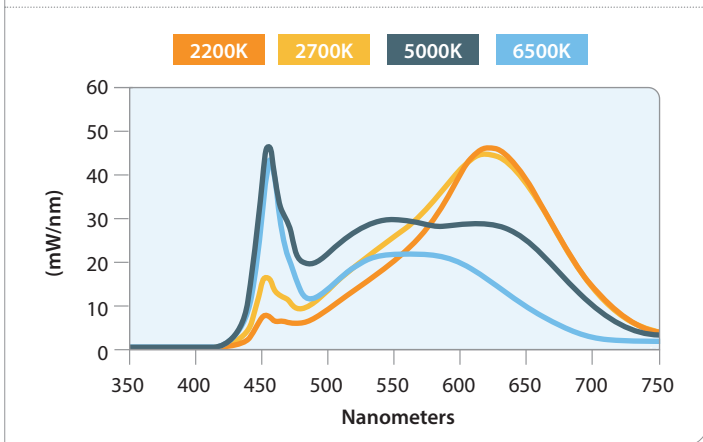
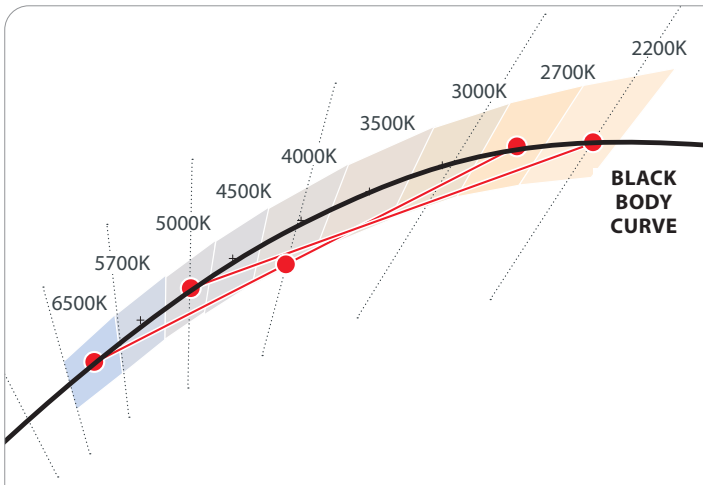
		BLUHUE, TUHUE, TUHUE2, AMBERHUE			
DIRECT:	SAL	LO	MO	SO	HO*
	Lm/Ft	200	375	500	715
	W/Ft	3.8	5.6	7.8	10.5

* TU2 + AMB NOT AVAILABLE HO / CHROMAHUE ONLY AVAILABLE ON HO



Prudential Lighting's **TuHue** Tunable White provides warm to cool white light simulating sunlight. Controlling the light source color temperature offers differing design aesthetics with potential benefits via circadian rhythm support. Blue light for alertness while warm light conveys tranquility.

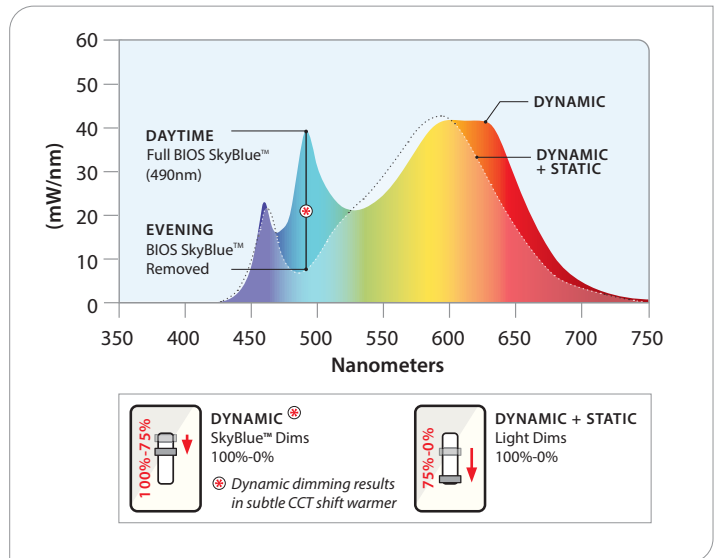
- 2700K-6500K or 2200K-5000K.
- Adjust the color temperate and brightness separately.
- Simulates warm to cool to warm transition of sunlight.



BluHue BIOS SkyBlue™ circadian LED lighting brings the benefits of blue skies inside. Newly discovered blue-sky receptors in our eyes drive improved daytime alertness, mood, brain function, and strengthens circadian rhythms leading to overall better health and well-being.

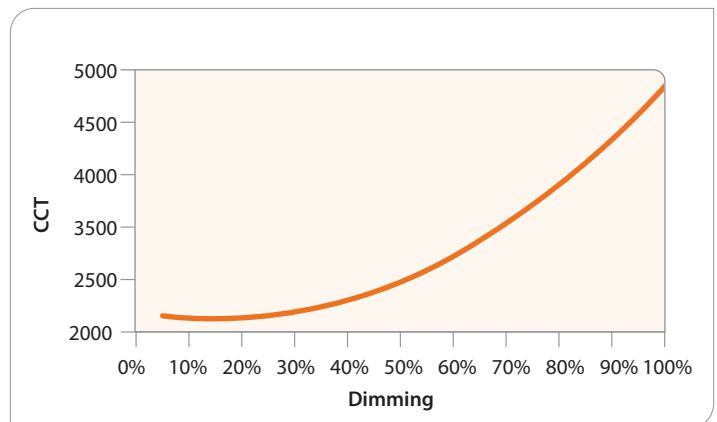


- Circadian rhythms play an integral role in physical and mental health.
- BluHue BIOS SkyBlue pinpoints peak 490nm sensitivity to provide the most benefit from an electric light source.
- At night, simply dim the lights to remove SkyBlue™ wavelengths (specify "Blu_D" to dim Cyan SkyBlue spike separately [night mode]).



AmberHue is Prudential Lighting's Warm Dim offering. It transitions bright white light to warm amber light as brightness is dimmed, reflecting sunlight's transitioning from intense blue midday light to a dimmed golden hue near sunset, also reminiscent of soft glowing candlelight.

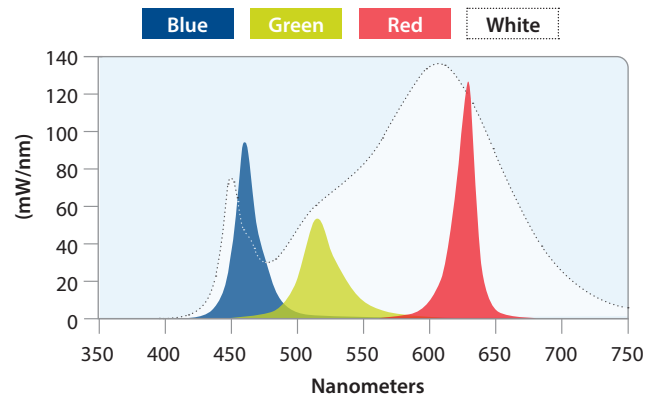
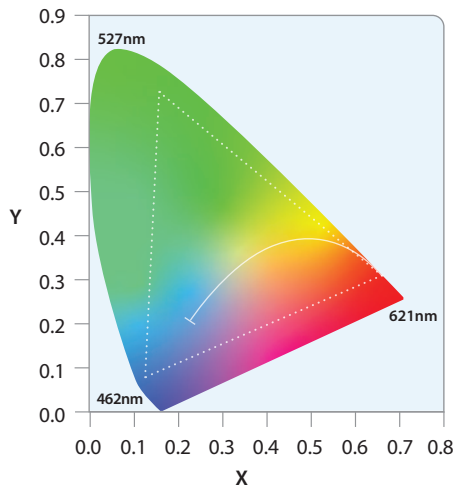
- Warm Dim 2200K-5000K.
- Color temperature warms as the luminaire is dimmed.
- Calm, relaxing mood communicated – hospitality, residential feel.



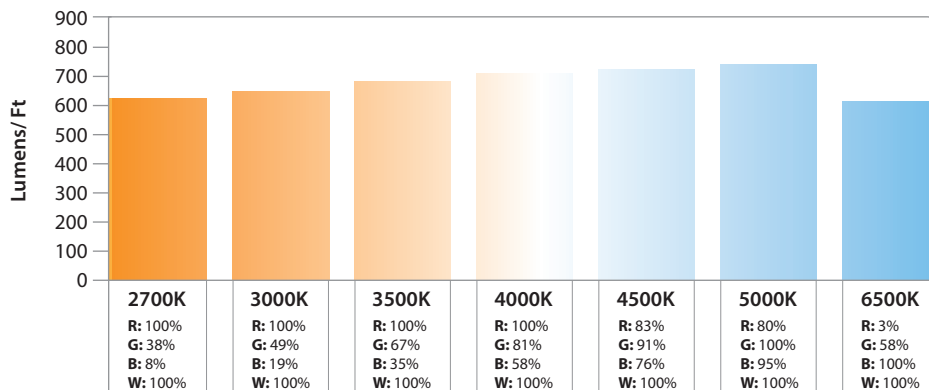


ChromaHue offers a vibrant full gamut of colors for seemingly endless architectural interior applications. Rich color-changing light offers tremendous design flexibility while white light can be achieved with the White chip, or mixing of Red, Green and Blue light. No longer just for the entertainment industry, ChromaHue can be intermixed on BionicPro luminaires for mood-creating indirect illumination combined with static white direct light.

- RGBW LED array (Red, Green, Blue, White) with full spectrum color and white light on the black body curve.
- Four-channel control, DMX drivers.
- Any color point within the triangle can be reached by setting the proper output levels for each individual red, green, blue and white channels.
- Standard DMX is one zone with one XLR drop at start, one XLR return at the end.



CONSTRUCTED WHITES





LM79 & TM30 DATA:

	MEASURED CCT	MEASURED LUMENS	CRI	R9	DuV	SPD	TM30 — COLOR VECTOR	TM30 — COLOR DISTORTION
LED27	2680	80%	93	58	0.001		89 Rf	97 Rg
LED3	3042	95%	82	6	0.001		81 Rf	92 Rg
LED3-90	3016	85%	93	61	0.000		88 Rf	96 Rg
LED35	3482	100%	82	3	0.002		81 Rf	92 Rg
LED35-90	3417	85%	93	67	0.000		88 Rf	96 Rg
LED4	3952	102%	82	4	0.003		81 Rf	92 Rg
LED4-90	3882	85%	92	67	0.003		87 Rf	96 Rg
LED5-90	4889	85%	94	84	0.002		86 Rf	95 Rg