

BionicPro Squares

Surface Mount

INSTALLATION INSTRUCTIONS

X3 — HARD CEILING

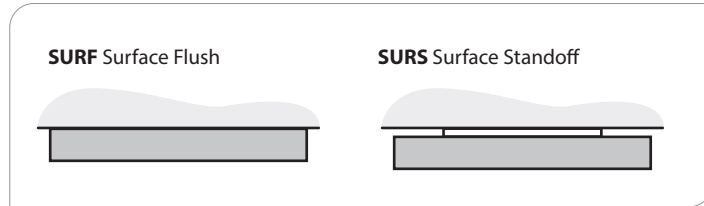


PRUDENTIAL LTG.

PRULITE.COM 213.746.0360

MAY REQUIRE TWO PEOPLE TO INSTALL

MOUNTING OPTIONS



FIXTURE WEIGHTS:

	22	33	44	55
BIONICPRO2	20lbs	30lbs	40lbs	50lbs
BIONICPRO3	24lbs	36lbs	48lbs	55lbs
BIONICPRO4	28lbs	42lbs	56lbs	70lbs
BIONICPRO5	32lbs	48lbs	64lbs	80lbs

PART	PART NO.	DESCRIPTION	QTY
STRAIN RELIEF:			
	100-00228-14	WHITE	1
	100-00309-14	BLACK	2

WARNING: Ground fixture in accordance with local and national electrical codes. Failure to do so may result in serious personal injury. Fixture Installations should ONLY be done by a qualified licensed electrical professional.

BionicPro Squares

SPM Pendant Mount

INSTALLATION INSTRUCTIONS

X3 — SURFACE



PRUDENTIAL LTG.

PRULITE.COM 213.746.0360

LENS SUMMARY

NO DOWNLIGHTS

	APERTURE:	END				MID				END			
		2"	3"	4"	5"	2"	3"	4"	5"	2"	3"	4"	5"
22 (2x2)	SAL	—	—	—	—	170548	170549	170550	170551	—	—	—	—
	BTW	—	—	—	—	170564	170565	170566	170567	—	—	—	—
	WWF	—	—	—	—	170580	170581	170582	170583	—	—	—	—
	WWG	—	—	—	—	170596	170597	170598	170599	—	—	—	—
	NGZ	—	—	—	—	170612	170613	170614	170615	—	—	—	—
	MGZ	—	—	—	—	170628	170629	170630	170631	—	—	—	—
	WGZ	—	—	—	—	170644	170645	170646	170647	—	—	—	—
	LGP	—	—	—	—	170660	170661	170662	170663	—	—	—	—
33 (3x3)	SAL	—	—	—	—	170544	170545	170546	170547	—	—	—	—
	BTW	—	—	—	—	170560	170561	170562	170563	—	—	—	—
	WWF	—	—	—	—	170576	170577	170578	170579	—	—	—	—
	WWG	—	—	—	—	170592	170593	170594	170595	—	—	—	—
	NGZ	—	—	—	—	170608	170609	170610	170611	—	—	—	—
	MGZ	—	—	—	—	170624	170625	170626	170627	—	—	—	—
	WGZ	—	—	—	—	170640	170641	170642	170643	—	—	—	—
	LGP	—	—	—	—	170656	170657	170658	170659	—	—	—	—
44 (4x4)	SAL	—	—	—	—	170540	170541	170542	170543	—	—	—	—
	BTW	—	—	—	—	170556	170557	170558	170559	—	—	—	—
	WWF	—	—	—	—	170572	170573	170574	170575	—	—	—	—
	WWG	—	—	—	—	170588	170589	170590	170591	—	—	—	—
	NGZ	—	—	—	—	170604	170605	170606	170607	—	—	—	—
	MGZ	—	—	—	—	170620	170621	170622	170623	—	—	—	—
	WGZ	—	—	—	—	170636	170637	170638	170639	—	—	—	—
	LGP	—	—	—	—	170652	170653	170654	170655	—	—	—	—
44 (4x4)	SAL	—	—	—	—	170536	170537	170538	170539	—	—	—	—
	BTW	—	—	—	—	170552	170553	170554	170555	—	—	—	—
	WWF	—	—	—	—	170568	170569	170570	170571	—	—	—	—
	WWG	—	—	—	—	170584	170585	170586	170587	—	—	—	—
	NGZ	—	—	—	—	170600	170601	170602	170603	—	—	—	—
	MGZ	—	—	—	—	170616	170617	170618	170619	—	—	—	—
	WGZ	—	—	—	—	170632	170633	170634	170635	—	—	—	—
	LGP	—	—	—	—	170648	170649	170650	170651	—	—	—	—

WARNING: Ground fixture in accordance with local and national electrical codes. Failure to do so may result in serious personal injury. Fixture Installations should ONLY be done by a qualified licensed electrical professional.

BionicPro Squares

SPM Pendant Mount

INSTALLATION INSTRUCTIONS

X3 — SURFACE



PRUDENTIAL LTG.

PRULITE.COM 213.746.0360

LENS SUMMARY

ONE DOWNLIGHT

	APERTURE:	END				MID				END			
		2"	3"	4"	5"	2"	3"	4"	5"	2"	3"	4"	5"
22 (2x2)	SAL	170676	170677	170678	170679	—	—	—	—	170804	170805	170806	170807
	BTW	170692	170693	170694	170695	—	—	—	—	170820	170821	170822	170823
	WWF	170708	170709	170710	170711	—	—	—	—	170836	170837	170838	170839
	WWG	170724	170725	170726	170727	—	—	—	—	170852	170853	170854	170855
	NGZ	170740	170741	170742	170743	—	—	—	—	170868	170869	170870	170871
	MGZ	170756	170757	170758	170759	—	—	—	—	170884	170885	170886	170887
	WGZ	170772	170773	170774	170775	—	—	—	—	170900	170901	170902	170903
	LGP	170788	170789	170790	170791	—	—	—	—	170916	170917	170918	170919
33 (3x3)	SAL	170672	170673	170674	170675	—	—	—	—	170800	170801	170802	170803
	BTW	170688	170689	170690	170691	—	—	—	—	170816	170817	170818	170819
	WWF	170704	170705	170706	170707	—	—	—	—	170832	170833	170834	170835
	WWG	170720	170721	170722	170723	—	—	—	—	170848	170849	170850	170851
	NGZ	170736	170737	170738	170739	—	—	—	—	170864	170865	170866	170867
	MGZ	170752	170753	170754	170755	—	—	—	—	170880	170881	170882	170883
	WGZ	170768	170769	170770	170771	—	—	—	—	170896	170897	170898	170899
	LGP	170784	170785	170786	170787	—	—	—	—	170912	170913	170914	170915
44 (4x4)	SAL	170668	170669	170670	170671	—	—	—	—	170796	170797	170798	170799
	BTW	170684	170685	170686	170687	—	—	—	—	170812	170813	170814	170815
	WWF	170700	170701	170702	170703	—	—	—	—	170828	170829	170830	170831
	WWG	170716	170717	170718	170719	—	—	—	—	170844	170845	170846	170847
	NGZ	170732	170733	170734	170735	—	—	—	—	170860	170861	170862	170863
	MGZ	170748	170749	170750	170751	—	—	—	—	170876	170877	170878	170879
	WGZ	170764	170765	170766	170767	—	—	—	—	170892	170893	170894	170895
	LGP	170780	170781	170782	170783	—	—	—	—	170908	170909	170910	170911
44 (4x4)	SAL	170664	170665	170666	170667	—	—	—	—	170792	170793	170794	170795
	BTW	170680	170681	170682	170683	—	—	—	—	170808	170809	170810	170811
	WWF	170696	170697	170698	170699	—	—	—	—	170824	170825	170826	170827
	WWG	170712	170713	170714	170715	—	—	—	—	170840	170841	170842	170843
	NGZ	170728	170729	170730	170731	—	—	—	—	170856	170857	170858	170859
	MGZ	170744	170745	170746	170747	—	—	—	—	170872	170873	170874	170875
	WGZ	170760	170761	170762	170763	—	—	—	—	170888	170889	170890	170891
	LGP	170776	170777	170778	170779	—	—	—	—	170904	170905	170906	170907

WARNING: Ground fixture in accordance with local and national electrical codes. Failure to do so may result in serious personal injury. Fixture Installations should ONLY be done by a qualified licensed electrical professional.

BionicPro Squares

SPM Pendant Mount

INSTALLATION INSTRUCTIONS



X3 — SURFACE

LENS SUMMARY

TWO DOWNLIGHTS

	APERTURE:	END				MID				END			
		2"	3"	4"	5"	2"	3"	4"	5"	2"	3"	4"	5"
22 (2x2)	SAL	N/A	N/A	N/A	N/A	N/A	N/A	N/A	N/A	N/A	N/A	N/A	N/A
	BTW	N/A	N/A	N/A	N/A	N/A	N/A	N/A	N/A	N/A	N/A	N/A	N/A
	WWF	N/A	N/A	N/A	N/A	N/A	N/A	N/A	N/A	N/A	N/A	N/A	N/A
	WWG	N/A	N/A	N/A	N/A	N/A	N/A	N/A	N/A	N/A	N/A	N/A	N/A
	NGZ	N/A	N/A	N/A	N/A	N/A	N/A	N/A	N/A	N/A	N/A	N/A	N/A
	MGZ	N/A	N/A	N/A	N/A	N/A	N/A	N/A	N/A	N/A	N/A	N/A	N/A
	WGZ	N/A	N/A	N/A	N/A	N/A	N/A	N/A	N/A	N/A	N/A	N/A	N/A
	LGP	N/A	N/A	N/A	N/A	N/A	N/A	N/A	N/A	N/A	N/A	N/A	N/A
33 (3x3)	SAL	N/A	N/A	N/A	N/A	N/A	N/A	N/A	N/A	N/A	N/A	N/A	N/A
	BTW	N/A	N/A	N/A	N/A	N/A	N/A	N/A	N/A	N/A	N/A	N/A	N/A
	WWF	N/A	N/A	N/A	N/A	N/A	N/A	N/A	N/A	N/A	N/A	N/A	N/A
	WWG	N/A	N/A	N/A	N/A	N/A	N/A	N/A	N/A	N/A	N/A	N/A	N/A
	NGZ	N/A	N/A	N/A	N/A	N/A	N/A	N/A	N/A	N/A	N/A	N/A	N/A
	MGZ	N/A	N/A	N/A	N/A	N/A	N/A	N/A	N/A	N/A	N/A	N/A	N/A
	WGZ	N/A	N/A	N/A	N/A	N/A	N/A	N/A	N/A	N/A	N/A	N/A	N/A
	LGP	N/A	N/A	N/A	N/A	N/A	N/A	N/A	N/A	N/A	N/A	N/A	N/A
44 (4x4)	SAL	170924	170925	170926	170927	171052	171053	171054	171055	170796	170797	170798	170799
	BTW	170932	170933	170934	170935	171060	171061	171062	171063	170812	170813	170814	170815
	WWF	170940	170941	170942	170943	171068	171069	171070	171071	170828	170829	170830	170831
	WWG	170948	170949	170950	170951	171076	171077	171078	171079	170844	170845	170846	170847
	NGZ	170956	170957	170958	170959	171084	171085	171086	171087	170860	170861	170862	170863
	MGZ	170964	170965	170966	170967	171092	171093	171094	171095	170876	170877	170878	170879
	WGZ	170972	170973	170974	170975	171100	171101	171102	171103	170892	170893	170894	170895
	LGP	170980	170981	170982	170983	171108	171109	171110	171111	170908	170909	170910	170911
44 (4x4)	SAL	170920	170921	170922	170923	171048	171049	171050	171051	170792	170793	170794	170795
	BTW	170928	170929	170930	170931	171056	171057	171058	171059	170808	170809	170810	170811
	WWF	170936	170937	170938	170939	171064	171065	171066	171067	170824	170825	170826	170827
	WWG	170944	170945	170946	170947	171072	171073	171074	171075	170840	170841	170842	170843
	NGZ	170952	170953	170954	170955	171080	171081	171082	171083	170856	170857	170858	170859
	MGZ	170960	170961	170962	170963	171088	171089	171090	171091	170872	170873	170874	170875
	WGZ	170968	170969	170970	170971	171096	171097	171098	171099	170888	170889	170890	170891
	LGP	170976	170977	170978	170979	171104	171105	171106	171107	170904	170905	170906	170907

WARNING: Ground fixture in accordance with local and national electrical codes. Failure to do so may result in serious personal injury. Fixture Installations should ONLY be done by a qualified licensed electrical professional.

BionicPro Squares

SPM Pendant Mount

INSTALLATION INSTRUCTIONS

X3 — SURFACE



PRUDENTIAL LTG.

PRULITE.COM 213.746.0360

LGP DIFFUSER

NO DOWNLIGHTS

APERTURE:	END				MID				END			
	2"	3"	4"	5"	2"	3"	4"	5"	2"	3"	4"	5"
22	—	—	—	—	171129	171129	171129	171129	—	—	—	—
33	—	—	—	—	171128	171128	171128	171128	—	—	—	—
44	—	—	—	—	171127	171127	171127	171127	—	—	—	—
55	—	—	—	—	171126	171126	171126	171126	—	—	—	—

ONE DOWNLIGHTS

APERTURE:	LEFT MITER				MID				RIGHT MITER			
	2"	3"	4"	5"	2"	3"	4"	5"	2"	3"	4"	5"
22	171133	171133	171133	171133	—	—	—	—	171137	171137	171137	171137
33	171132	171132	171132	171132	—	—	—	—	171136	171136	171136	171136
44	171131	171131	171131	171131	—	—	—	—	171135	171135	171135	171135
55	171130	171130	171130	171130	—	—	—	—	171134	171134	171134	171134

TWO DOWNLIGHTS

APERTURE:	LEFT MITER				MID				RIGHT MITER			
	2"	3"	4"	5"	2"	3"	4"	5"	2"	3"	4"	5"
22	N/A	N/A	N/A	N/A	N/A	N/A	N/A	N/A	N/A	N/A	N/A	N/A
33	N/A	N/A	N/A	N/A	N/A	N/A	N/A	N/A	N/A	N/A	N/A	N/A
44	171139	171139	171139	171139	171143	171143	171143	171143	171141	171141	171141	171141
55	171138	171138	171138	171138	171142	171142	171142	171142	171140	171140	171140	171140

WARNING: Ground fixture in accordance with local and national electrical codes. Failure to do so may result in serious personal injury. Fixture Installations should ONLY be done by a qualified licensed electrical professional.

BionicPro Squares

SPM Pendant Mount

INSTALLATION INSTRUCTIONS

X3 — SURFACE



PRUDENTIAL LTG.

PRULITE.COM 213.746.0360

LOUVERS

CORNER MODULES

2"	3"	4"	5"
100-00390-07	100-00391-07	100-00392-07	100-00393-07

NO DOWNLIGHTS

APERTURE:	END				MID				END			
	2"	3"	4"	5"	2"	3"	4"	5"	2"	3"	4"	5"
22	170490	170496	170502	170508	—	—	—	—	170490	170496	170502	170508
33	—	—	—	—	170489	170495	170501	170507	—	—	—	—
44	—	—	—	—	170488	170494	170500	170506	—	—	—	—
55	170486	170492	170498	170504	—	—	—	—	170486	170492	170498	170504

ONE DOWNLIGHTS

APERTURE:	LEFT MITER				MID				RIGHT MITER			
	2"	3"	4"	5"	2"	3"	4"	5"	2"	3"	4"	5"
22	169972	169976	169980	169984	—	—	—	—	169972	169976	169980	169984
33	169971	169975	169979	169983	—	—	—	—	169971	169975	169979	169983
44	169970	169974	169978	169982	—	—	—	—	169970	169974	169978	169982
55	170510	169973	169977	169981	—	—	—	—	170510	169973	169977	169981

TWO DOWNLIGHTS

APERTURE:	LEFT MITER				MID				RIGHT MITER			
	2"	3"	4"	5"	2"	3"	4"	5"	2"	3"	4"	5"
22	N/A	N/A	N/A	N/A	N/A	N/A	N/A	N/A	N/A	N/A	N/A	N/A
33	N/A	N/A	N/A	N/A	N/A	N/A	N/A	N/A	N/A	N/A	N/A	N/A
44	169986	169988	169990	169992	169994	169996	169998	170000	169986	169988	169990	169992
55	169985	169987	169989	169991	169993	169995	169997	169999	169985	169987	169989	169991

WARNING: Ground fixture in accordance with local and national electrical codes. Failure to do so may result in serious personal injury. Fixture Installations should ONLY be done by a qualified licensed electrical professional.

BionicPro Squares

SPM Pendant Mount

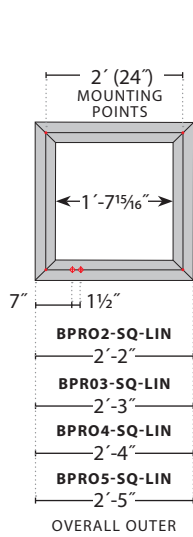
INSTALLATION INSTRUCTIONS

X3 — SURFACE

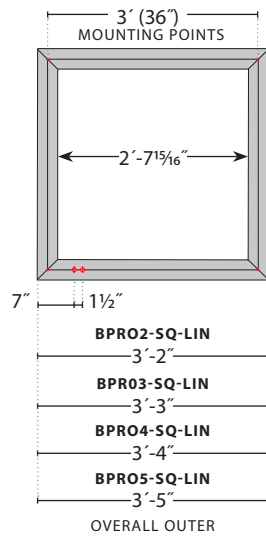


- Mounting Points
- ⊕ 7/8" Ø Power Feed

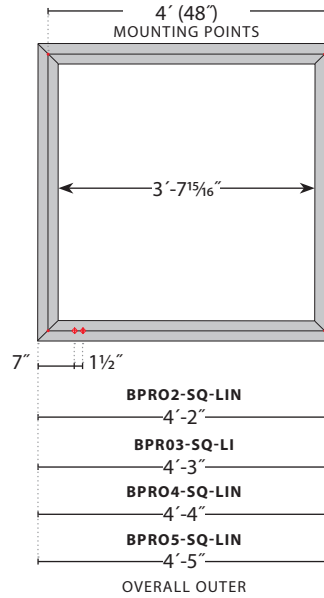
22 (2x2)



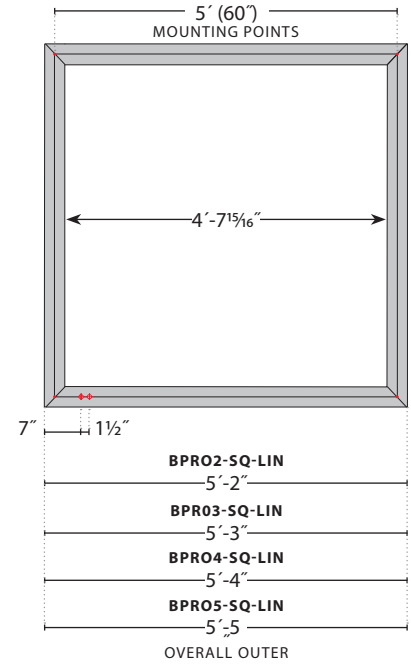
33 (3x3)



44 (4x4)



55 (5x5)



WARNING: Ground fixture in accordance with local and national electrical codes. Failure to do so may result in serious personal injury. Fixture Installations should ONLY be done by a qualified licensed electrical professional.

BionicPro Squares

Surface Mount

INSTALLATION INSTRUCTIONS

X3 — HARD CEILING

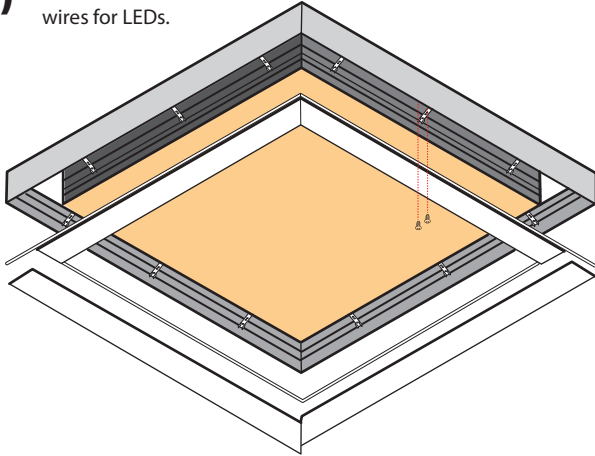


PRUDENTIAL LTG.

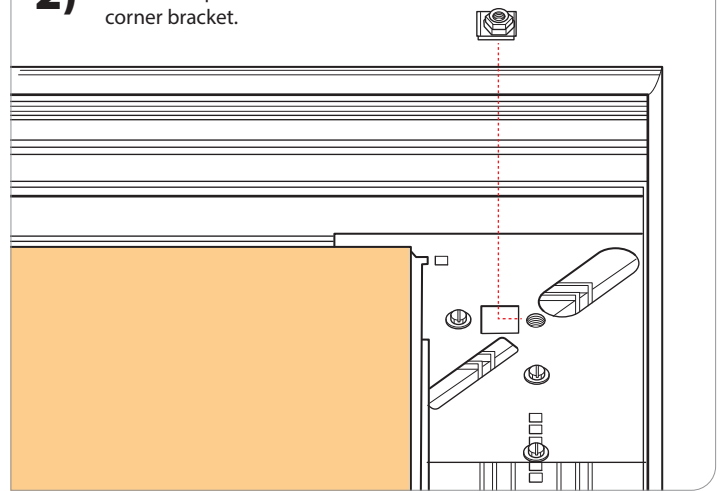
PRULITE.COM 213.746.0360

MAY REQUIRE TWO PEOPLE TO INSTALL

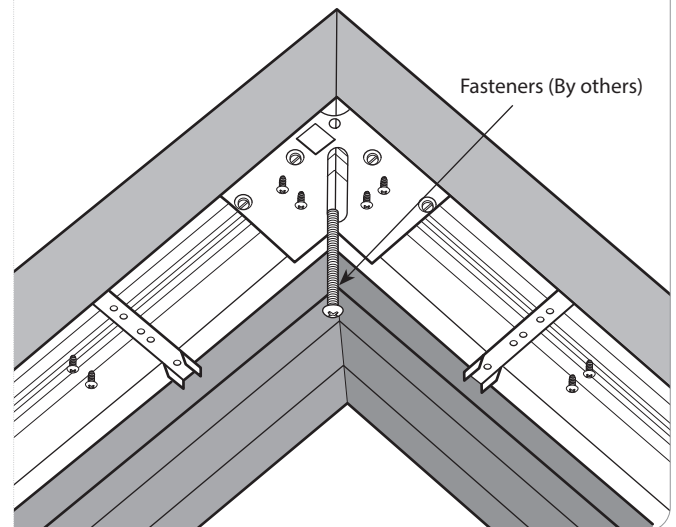
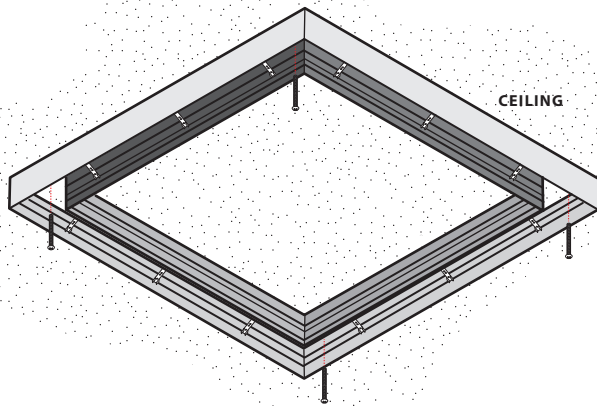
- 1)** Remove screws and reflectors from all fixtures and disconnect wires for LEDs.



- 2)** Remove Clip On Nut from the corner bracket.

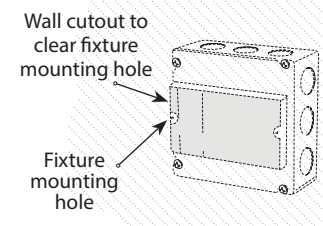
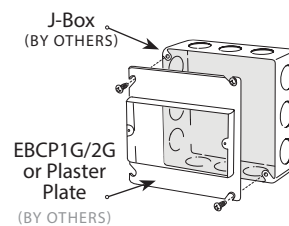


- 3)** Feed wires through holes and secure to ceiling with fasteners (by others).



WITH 4" x 4" J BOXES (STEP-DOWN PLASTER RING REQUIRED / EBCP1G/2G OR PLASTER PLATE BY OTHERS)

1. Recess J Box into wall with space for plaster ring to be flush with outer space.
2. Install plaster ring (by others) with #8 screws (by others).
3. Install wall or surface mount fixtures to plaster ring as specified.



WARNING: Ground fixture in accordance with local and national electrical codes. Failure to do so may result in serious personal injury. Fixture Installations should ONLY be done by a qualified licensed electrical professional.

BionicPro Squares

Surface Mount

INSTALLATION INSTRUCTIONS

X3 — HARD CEILING

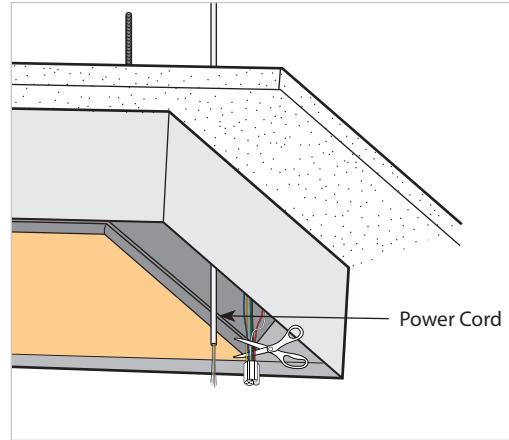
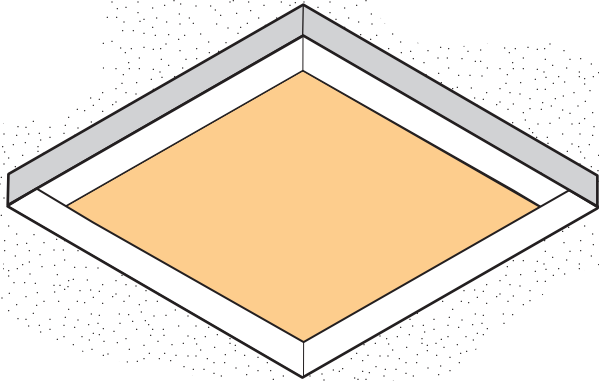


PRUDENTIAL LTG.

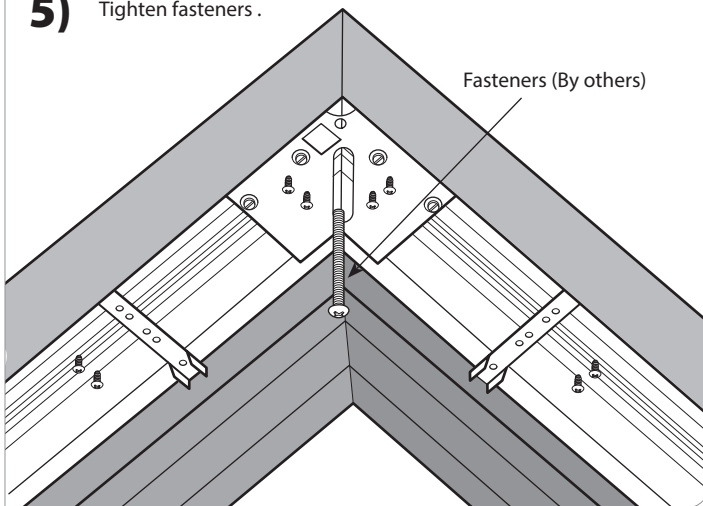
PRULITE.COM 213.746.0360

MAY REQUIRE TWO PEOPLE TO INSTALL

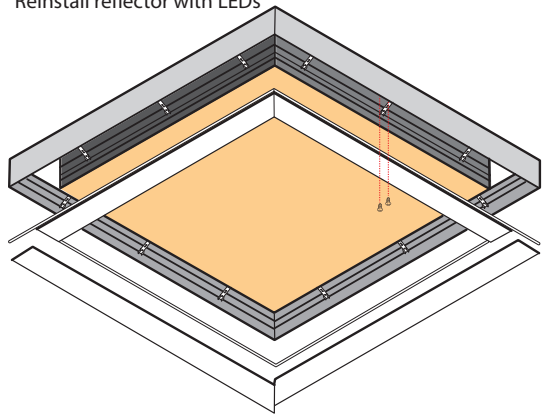
4) Make electrical connections.



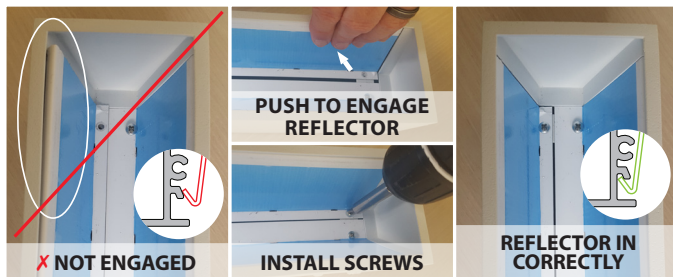
5) Tighten fasteners.



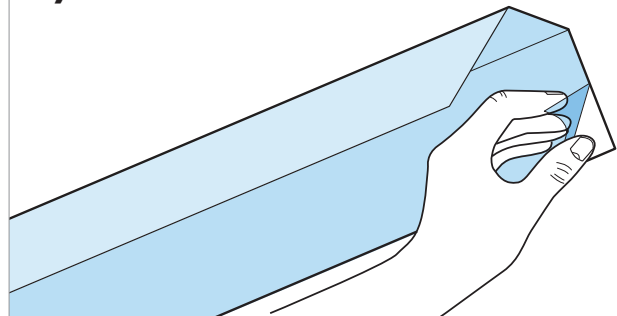
6) Reinstall the reflectors without LEDs. Make electrical connections to LEDs. Tuck all loose wires behind reflectors without LEDs. Reinstall reflector with LEDs



7) Snap reflectors into place.



8) Peel blue protective covering off reflectors.



WARNING: Ground fixture in accordance with local and national electrical codes. Failure to do so may result in serious personal injury. Fixture Installations should ONLY be done by a qualified licensed electrical professional.

BionicPro Squares

Surface Mount

INSTALLATION INSTRUCTIONS

X3 — HARD CEILING

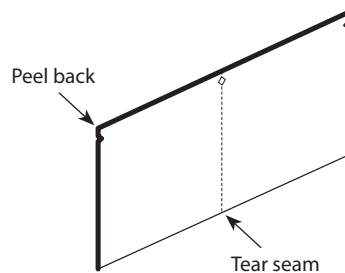
 **MAY REQUIRE TWO PEOPLE TO INSTALL**



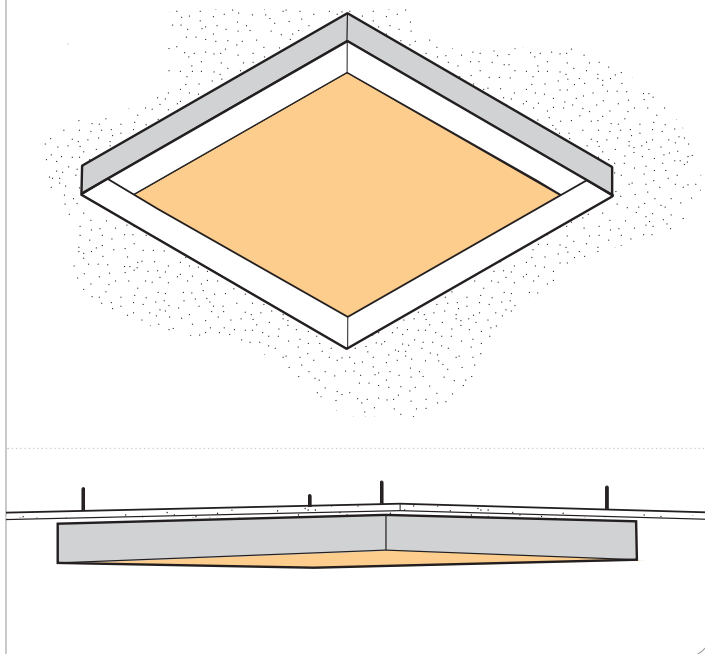
PRUDENTIAL LTG.

PRULITE.COM 213.746.0360

- 9)** Tear seam reflector at perforation. Peel film to reveal adhesive.



- 10)** Fully Installed With Fasteners to Ceiling.
NOTE: BPROSQ Fixture is flushed to ceiling with the installation screws and installed with LGP diffuser and lens.



WARNING: Ground fixture in accordance with local and national electrical codes. Failure to do so may result in serious personal injury. Fixture Installations should ONLY be done by a qualified licensed electrical professional.