



INSTALLATION INSTRUCTIONS

X7 (MUD-OVER)

PART	PART NO.	DESCRIPTION
	See Order	Louvers
	100-00359-14	#4-40 x 1/4" Flat Head Phil Machine Screw
	100-00283-14	1/4"-20 x 5" Round Head Combination Drive Machine Screw
	100-00255-14	1/4"-20 KEPS Hex Nut
	100-00040-20	Tape Strips
	100-00299-14	#6 Reflector Screws
	100-00311-14	Taper Pin (Shipped Installed)
	100-00486-10	Seam Reflector
	100-00199-03	Regress Trim Aligner

APERTURE GUIDES (X7):

SHIPPED ATTACHED ON START/INDIVIDUAL FIXTURES

	2" — 100-00509-10		4" — 100-00511-10
	White		Black
	3" — 100-00510-10		5" — 100-00512-10
	Grey		White

LTR (LINEAR TO RECESSED TRANSITION PLATES):

	DIRECT TO REC/PER	DIRECT/INDIRECT TO REC/PER
	2" — 135770	135774
	3" — 135771	135775
	4" — 135772	135776
	5" — 135773	135777

PART	SIZE	PART NO.	DESCRIPTION
------	------	----------	-------------

LENS TOOL:

	2" —	100-00462-10	White
		100-00508-10	BPRO2 Lens Tool Clamp (REGRESS 3 ONLY)
	3" —	100-00510-10	Grey
	4" —	100-00465-10	Black
	5" —	100-00463-10	White

STIFFENER:

	2" —	106695	
	3" —	106694	
	4" —	106693	FOR FILLER FIXTURES ONLY
	5" —	106692	
		100-00212-14	#6-32 x 1/4" Flat Phillips Head Undercut Screw, Type F (4 SCREWS PER STIFFENER)

END PLATE REFLECTOR:

	2" —	100-00482-10	
	3" —	100-00483-10	
	4" —	100-00484-10	For Non-White Painted Fixtures Only
	5" —	100-00485-10	

END PLATES:

	2" —	111067	
	3" —	111068	
	4" —	111069	Wall-to-Wall
	5" —	111070	
		100-00212-14	#6-32 x 1/4" Flat Phillips Head Undercut Screw, Type F
	See Page 2		Light Pocket
		100-00300-14	End Cap Counter Sink #6-32 x 3/4" Screw

FTR (FEATHERING DIFFUSER):

	100-00843-10	Diffuser
	100-00374-14	Nylon Spacer Washer
	100-00182-14	6-32 x 1/2" Screw

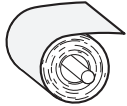
WARNING: Ground fixture in accordance with local and national electrical codes. Failure to do so may result in serious personal injury. Fixture Installations should ONLY be done by a qualified licensed electrical professional.

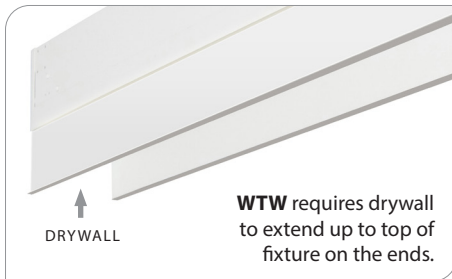


INSTALLATION INSTRUCTIONS

X7 (MUD-OVER)

END CAPS		FLUSH	REGRESS 0.5"	REGRESS 1"	REGRESS 3"
	BPRO2	100-00085-03	100-00139-03	100-00159-03	100-00179-03
	BPRO3	100-00086-03	100-00144-03	100-00164-03	100-00184-03
	BPRO4	100-00087-03	100-00149-03	100-00169-03	100-00189-03
X7	BPRO5	100-00088-03	100-00154-03	100-00174-03	100-00194-03

PARTS LIST	SIZE	PART NO.				
LENS OPTIONS:		SAL	BTW	WWF	WWG	MGZ
	2" —	100-00966-18	100-00961-18	100-00973-18	100-00978-18	100-01004-18
	3" —	100-00967-18	100-00962-18	100-00974-18	100-00979-18	100-01005-18
	4" —	100-00968-18	100-00963-18	100-00975-18	100-00980-18	100-01006-08
	5" —	100-00969-18	100-00964-18	100-00976-18	100-00981-18	100-01007-18



WARNING: Ground fixture in accordance with local and national electrical codes. Failure to do so may result in serious personal injury. Fixture Installations should ONLY be done by a qualified licensed electrical professional.



INSTALLATION INSTRUCTIONS

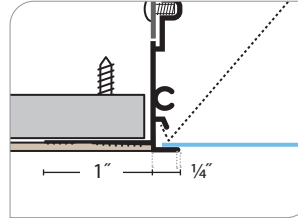
X7 (MUD-OVER)

CEILING OPENING DIMENSIONS:

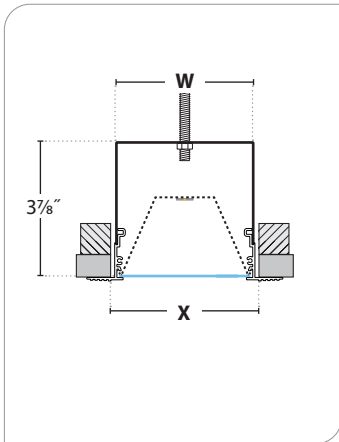
APERTURE	BPRO2	BPRO3	BPRO4	BPRO5
W = FIXTURE WIDTH	2"	3"	4"	5"
X = CEILING OPENING (FLUSH)	2¼"	3¼"	4¼"	5¼"
(LVR, REG.5, LVR1, REG1, LVR3, REG3)	2¾"	3¾"	4¾"	5¾"
FIXTURE ROUGH IN LENGTH =	Fixture Length + 1½"			

CEILING SYSTEMS:

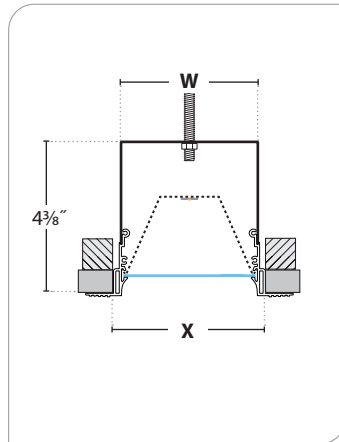
X7: Mud-Over Flange



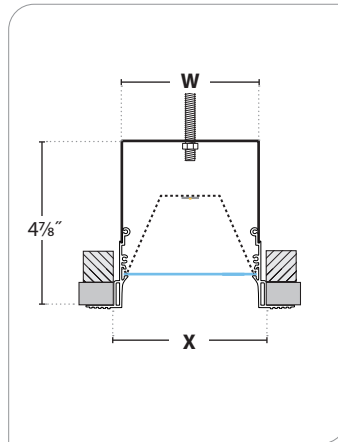
FLSH:



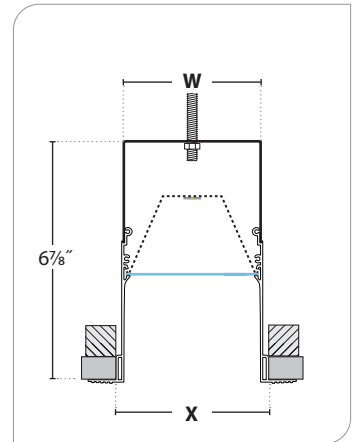
REG.5:



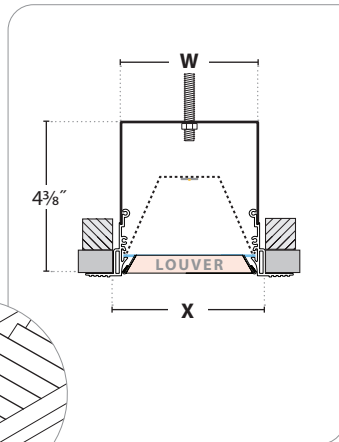
REG1:



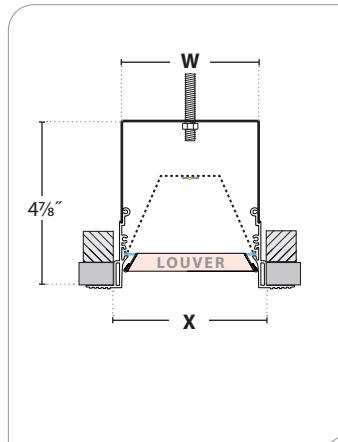
REG3:



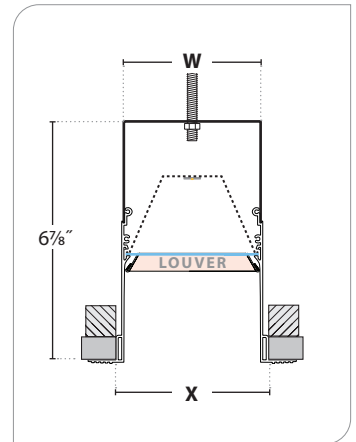
LVR:



LVR1:



LVR3:



WARNING: Ground fixture in accordance with local and national electrical codes. Failure to do so may result in serious personal injury. Fixture installations should ONLY be done by a qualified licensed electrical professional.

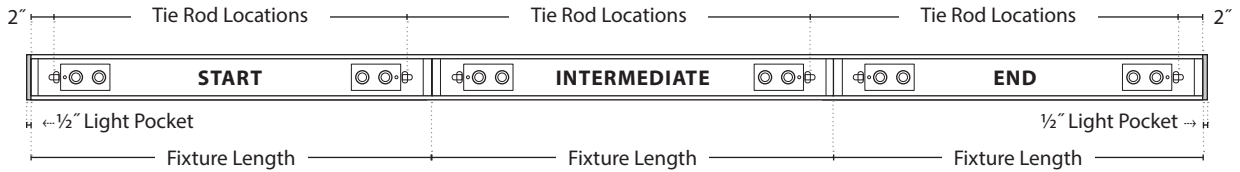


INSTALLATION INSTRUCTIONS

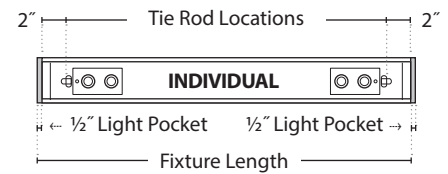
X7 (MUD-OVER)

BPRO2

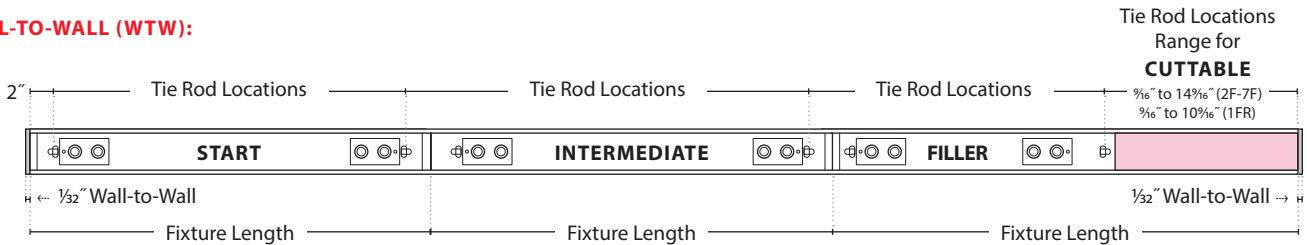
LIGHT POCKET (LP):



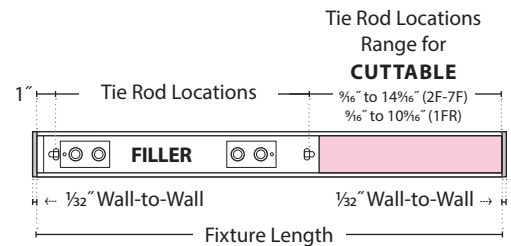
	FIXTURE LENGTHS		TIE ROD LOCATIONS		
	Start / Intermediate	End / Individual	Start / Individual	Intermediate	End
2'	24"	24"	20"	24"	24"
3'	36"	36"	32"	36"	36"
4'	48"	48"	44"	48"	48"
5'	60"	60"	56"	60"	60"
6'	72"	72"	68"	72"	72"
7'	84"	84"	80"	84"	84"
8'	96"	96"	92"	96"	96"



WALL-TO-WALL (WTW):

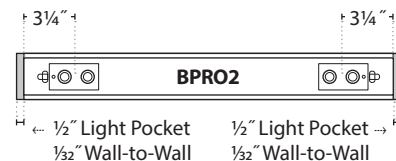


	FIXTURE LENGTH	TIE ROD LOCATIONS	
		Start	Intermediate
—	—	—	—
2'	24"	20"	24"
3'	36"	32"	36"
4'	48"	44"	48"
5'	60"	56"	60"
6'	72"	68"	72"
7'	84"	80"	84"
8'	96"	92"	96"



	FIXTURE LENGTH	TIE ROD LOCATIONS	
		Filler	Filler Individual
1FR	16" - 26"	17 1/16"	14 7/16"
2F	24" - 38"	25 7/16"	22 7/16"
3F	36" - 50"	37 7/16"	34 7/16"
4F	48" - 62"	49 7/16"	46 7/16"
5F	60" - 74"	61 7/16"	58 7/16"
6F	72" - 86"	73 7/16"	70 7/16"
7F	84" - 98"	85 7/16"	82 7/16"
—	—	—	—

POWER FEED LOCATIONS:



WARNING: Ground fixture in accordance with local and national electrical codes. Failure to do so may result in serious personal injury. Fixture installations should ONLY be done by a qualified licensed electrical professional.



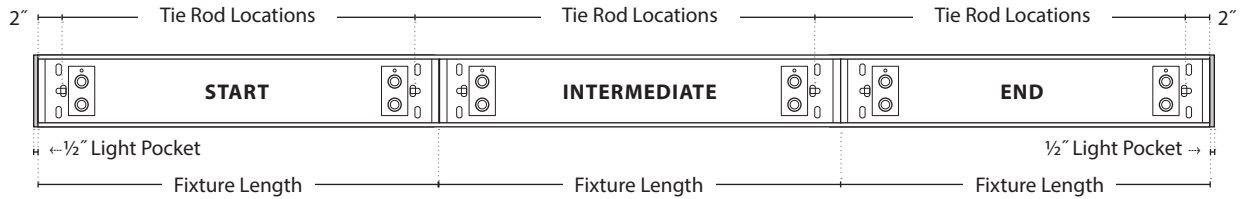
INSTALLATION INSTRUCTIONS

PRULITE.COM 213.746.0360

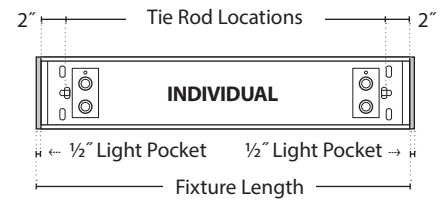
X7 (MUD-OVER)

BPRO3/4/5

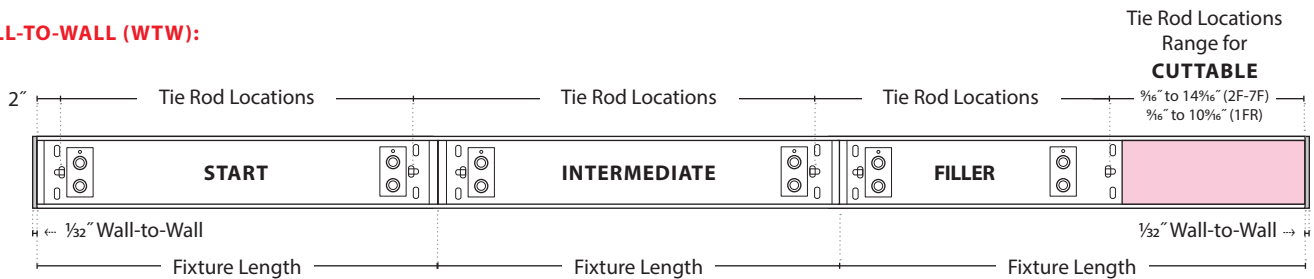
LIGHT POCKET (LP):



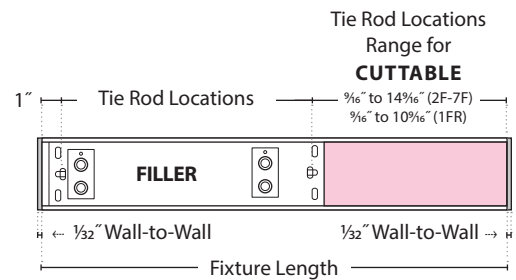
	FIXTURE LENGTHS		TIE ROD LOCATIONS		
	Start / Intermediate	End / Individual	Start / Individual	Intermediate	End
2'	24"	24"	20"	24"	24"
3'	36"	36"	32"	36"	36"
4'	48"	48"	44"	48"	48"
5'	60"	60"	56"	60"	60"
6'	72"	72"	68"	72"	72"
7'	84"	84"	80"	84"	84"
8'	96"	96"	92"	96"	96"



WALL-TO-WALL (WTW):

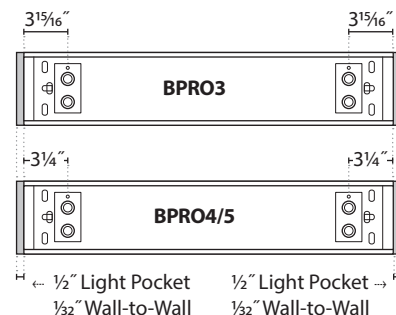


	FIXTURE LENGTH	TIE ROD LOCATIONS	
		Start	Intermediate
—	—	—	—
2'	24"	20"	24"
3'	36"	32"	36"
4'	48"	44"	48"
5'	60"	56"	60"
6'	72"	68"	72"
7'	84"	80"	84"
8'	96"	92"	96"



	FIXTURE LENGTH	TIE ROD LOCATIONS	
		Filler	Filler Individual
1FR	16" - 26"	17 ¹ / ₁₆ "	14 ⁷ / ₁₆ "
2F	24" - 38"	25 ⁷ / ₁₆ "	22 ⁷ / ₁₆ "
3F	36" - 50"	37 ⁷ / ₁₆ "	34 ⁷ / ₁₆ "
4F	48" - 62"	49 ⁷ / ₁₆ "	46 ⁷ / ₁₆ "
5F	60" - 74"	61 ⁷ / ₁₆ "	58 ⁷ / ₁₆ "
6F	72" - 86"	73 ⁷ / ₁₆ "	70 ⁷ / ₁₆ "
7F	84" - 98"	85 ⁷ / ₁₆ "	82 ⁷ / ₁₆ "
—	—	—	—

POWER FEED LOCATIONS:



WARNING: Ground fixture in accordance with local and national electrical codes. Failure to do so may result in serious personal injury. Fixture installations should ONLY be done by a qualified licensed electrical professional.



INSTALLATION INSTRUCTIONS

X7 (MUD-OVER)

ROW BUILDER

LIGHT POCKET (LP):

ROW LENGTH	FIXTURE ROW
9'	4FT STR + 5FT END
10'	4FT STR + 6FT END
11'	4FT STR + 7FT END
12'	8FT STR + 4FT END
13'	8FT STR + 5FT END
14'	8FT STR + 6FT END
15'	8FT STR + 7FT END
16'	8FT STR + 8FT END
17'	4FT STR + (1) 8FT INT + 5FT END
18'	4FT STR + (1) 8FT INT + 6FT END
19'	4FT STR + (1) 8FT INT + 7FT END
20'	8FT STR + (1) 8FT INT + 4FT END
21'	8FT STR + (1) 8FT INT + 5FT END
22'	8FT STR + (1) 8FT INT + 6FT END
23'	8FT STR + (1) 8FT INT + 7FT END
24'	8FT STR + (1) 8FT INT + 8FT END
25'	4FT STR + (2) 8FT INT + 5FT END
26'	4FT STR + (2) 8FT INT + 6FT END
27'	4FT STR + (2) 8FT INT + 7FT END
28'	8FT STR + (2) 8FT INT + 4FT END
29'	8FT STR + (2) 8FT INT + 5FT END
30'	8FT STR + (2) 8FT INT + 6FT END
31'	8FT STR + (2) 8FT INT + 7FT END
32'	8FT STR + (2) 8FT INT + 8FT END
33'	4FT STR + (3) 8FT INT + 5FT END
34'	4FT STR + (3) 8FT INT + 6FT END
35'	4FT STR + (3) 8FT INT + 7FT END
36'	8FT STR + (3) 8FT INT + 4FT END
37'	8FT STR + (3) 8FT INT + 5FT END
38'	8FT STR + (3) 8FT INT + 6FT END
39'	8FT STR + (3) 8FT INT + 7FT END
40'	8FT STR + (3) 8FT INT + 8FT END
41'	4FT STR + (4) 8FT INT + 5FT END
42'	4FT STR + (4) 8FT INT + 6FT END
43'	4FT STR + (4) 8FT INT + 7FT END
44'	8FT STR + (4) 8FT INT + 4FT END
45'	8FT STR + (4) 8FT INT + 5FT END
46'	8FT STR + (4) 8FT INT + 6FT END
47'	8FT STR + (4) 8FT INT + 7FT END
48'	8FT STR + (4) 8FT INT + 8FT END
49'	4FT STR + (5) 8FT INT + 5FT END
50'	4FT STR + (5) 8FT INT + 6FT END

WALL-TO-WALL (WTW):

ROW LENGTH	FIXTURE ROW	MINIMUM FILLER LENGTH	MAXIMUM FILLER LENGTH
9'	4FT STR + 4FT FILLER	8' - 0" (96")	9' - 2" (110")
10'	4FT STR + 5FT FILLER	9' - 0" (108")	10' - 2" (122")
11'	4FT STR + 6FT FILLER	10' - 0" (120")	11' - 2" (134")
12'	4FT STR + 7FT FILLER	11' - 0" (132")	12' - 2" (146")
13'	8FT STR + 4FT FILLER	12' - 0" (144")	13' - 2" (158")
14'	8FT STR + 5FT FILLER	13' - 0" (156")	14' - 2" (170")
15'	8FT STR + 6FT FILLER	14' - 0" (168")	15' - 2" (182")
16'	8FT STR + 7FT FILLER	15' - 0" (180")	16' - 2" (194")
17'	4FT STR + (1) 8FT INT + 4FT FILLER	16' - 0" (192")	17' - 2" (206")
18'	4FT STR + (1) 8FT INT + 5FT FILLER	17' - 0" (204")	18' - 2" (218")
19'	4FT STR + (1) 8FT INT + 6FT FILLER	18' - 0" (216")	19' - 2" (230")
20'	4FT STR + (1) 8FT INT + 7FT FILLER	19' - 0" (228")	20' - 2" (242")
21'	8FT STR + (1) 8FT INT + 4FT FILLER	20' - 0" (240")	21' - 2" (254")
22'	8FT STR + (1) 8FT INT + 5FT FILLER	21' - 0" (252")	22' - 2" (266")
23'	8FT STR + (1) 8FT INT + 6FT FILLER	22' - 0" (264")	23' - 2" (278")
24'	8FT STR + (1) 8FT INT + 7FT FILLER	23' - 0" (276")	24' - 2" (290")
25'	4FT STR + (2) 8FT INT + 4FT FILLER	24' - 0" (288")	25' - 2" (302")
26'	4FT STR + (2) 8FT INT + 5FT FILLER	25' - 0" (300")	26' - 2" (314")
27'	4FT STR + (2) 8FT INT + 6FT FILLER	26' - 0" (312")	27' - 2" (326")
28'	4FT STR + (2) 8FT INT + 7FT FILLER	27' - 0" (324")	28' - 2" (338")
29'	8FT STR + (2) 8FT INT + 4FT FILLER	28' - 0" (336")	29' - 2" (350")
30'	8FT STR + (2) 8FT INT + 5FT FILLER	29' - 0" (348")	30' - 2" (362")
31'	8FT STR + (2) 8FT INT + 6FT FILLER	30' - 0" (360")	31' - 2" (374")
32'	8FT STR + (2) 8FT INT + 7FT FILLER	31' - 0" (372")	32' - 2" (386")
33'	4FT STR + (3) 8FT INT + 4FT FILLER	32' - 0" (384")	33' - 2" (398")
34'	4FT STR + (3) 8FT INT + 5FT FILLER	33' - 0" (396")	34' - 2" (410")
35'	4FT STR + (3) 8FT INT + 6FT FILLER	34' - 0" (408")	35' - 2" (422")
36'	4FT STR + (3) 8FT INT + 7FT FILLER	35' - 0" (420")	36' - 2" (434")
37'	8FT STR + (3) 8FT INT + 4FT FILLER	36' - 0" (432")	37' - 2" (446")
38'	8FT STR + (3) 8FT INT + 5FT FILLER	37' - 0" (444")	38' - 2" (458")
39'	8FT STR + (3) 8FT INT + 6FT FILLER	38' - 0" (456")	39' - 2" (470")
40'	8FT STR + (3) 8FT INT + 7FT FILLER	39' - 0" (468")	40' - 2" (482")
41'	4FT STR + (4) 8FT INT + 4FT FILLER	40' - 0" (480")	41' - 2" (494")
42'	4FT STR + (4) 8FT INT + 5FT FILLER	41' - 0" (492")	42' - 2" (506")
43'	4FT STR + (4) 8FT INT + 6FT FILLER	42' - 0" (504")	43' - 2" (518")
44'	4FT STR + (4) 8FT INT + 7FT FILLER	43' - 0" (516")	44' - 2" (530")
45'	8FT STR + (4) 8FT INT + 4FT FILLER	44' - 0" (528")	45' - 2" (542")
46'	8FT STR + (4) 8FT INT + 5FT FILLER	45' - 0" (540")	46' - 2" (554")
47'	8FT STR + (4) 8FT INT + 6FT FILLER	46' - 0" (552")	47' - 2" (566")
48'	8FT STR + (4) 8FT INT + 7FT FILLER	47' - 0" (564")	48' - 2" (578")
49'	4FT STR + (5) 8FT INT + 4FT FILLER	48' - 0" (576")	49' - 2" (590")
50'	4FT STR + (5) 8FT INT + 5FT FILLER	49' - 0" (588")	50' - 2" (602")

WARNING: Ground fixture in accordance with local and national electrical codes. Failure to do so may result in serious personal injury. Fixture installations should ONLY be done by a qualified licensed electrical professional.



INSTALLATION INSTRUCTIONS

X7 (MUD-OVER)

1a) Run ¼-20 All-thread from structure to fixture mounting locations for support and joists for flange mounting. Install rough electrical.

See mounting locations (pages 4-5).

1b) OPTIONAL
Screw Overhead Mounting Brackets (OMB) to joists (screws by others). Install rough-in electrical.

2) — Install drywall.
— Cut rough-in holes.

See mounting locations (pages 4-5).

3) Remove cardboard inserts and reflectors. Leave LED assembly in place.

Cardboard Insert

Reflector

4) Run power into access plate.

WIRING:

0-10V (+) : PURPLE	0-10V (-) : GREY
DALI (+) : PURPLE	DALI (-) : GREY
EcoSystem DALI (+) : PURPLE	EcoSystem DALI (-) : GREY
HOT : BLACK	
NEUTRAL : WHITE	
GROUND : GREEN	
CONSTANT HOT (EM) / DIMMING : RED	
EXTRA HOT / DIMMING : BLUE	
EXTRA HOT / DIMMING : ORANGE	

5) BPRO2 + 3 EMHE EMERGENCY AND LUTRON AT SO ONLY.

Insert insulation detector into knockout. (REFER TO PAGE 20-21).

NOTE: BPRO2 & 3 are not IC-rated for insulation with emergency.

WARNING: Warranty voided if insulation detector is removed or not snapped into place.

6) Slide fixture into slot.

Insert washers and nuts.

WARNING: Ground fixture in accordance with local and national electrical codes. Failure to do so may result in serious personal injury. Fixture Installations should ONLY be done by a qualified licensed electrical professional.



INSTALLATION INSTRUCTIONS

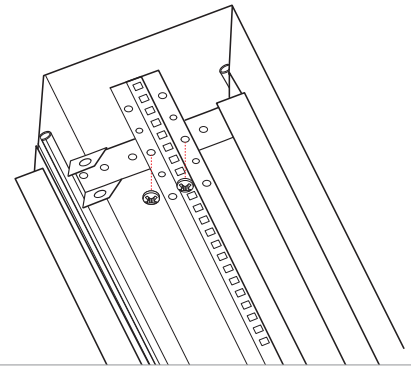
X7 (MUD-OVER)

STEPS 7-9 FOR ROWS ONLY, FOR INDIVIDUALS CONTINUE TO STEP 10

- 7)** Install next fixture (M) MALE (F) FEMALE
NOTE: Taper Pins (→) are installed on **MALE** side of electrical power connections for easy alignment of continuous rows



- 8)**
1. REMOVE LED ASSEMBLY
 2. ROTATE LED ASSEMBLY
 3. INSERT LED ASSEMBLY AGAINST STIFFENER

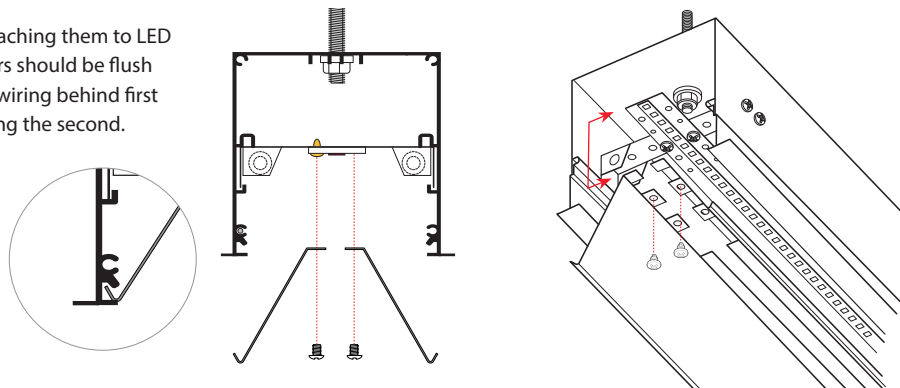


- 9a)**
- (M) MALE (F) FEMALE
- Make electrical and dimming harness connections and slide fixtures together — making sure Taper pins are aligned.
- TAPER PINS DETAIL**
- REGRESS ALIGNER DETAIL**

- 9b)**
- Leave LED assembly in place.
- Install Bolt & Nut to both sides until snug

- 10)** Install reflectors to fixture by attaching them to LED assembly using screws. Reflectors should be flush with end of LED assembly. Tuck wiring behind first installed reflector before installing the second.

Reflectors should be flush with end of LED assembly.



WARNING: Ground fixture in accordance with local and national electrical codes. Failure to do so may result in serious personal injury. Fixture Installations should ONLY be done by a qualified licensed electrical professional.



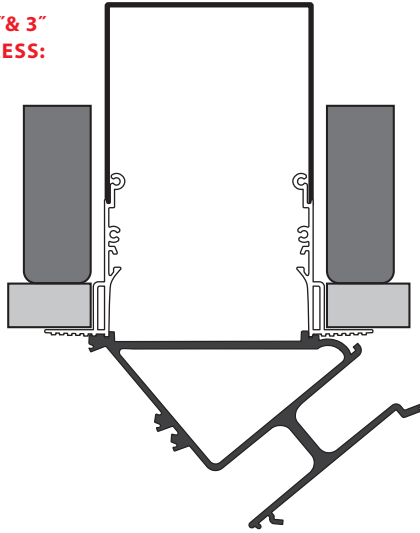
INSTALLATION INSTRUCTIONS

X7 (MUD-OVER)

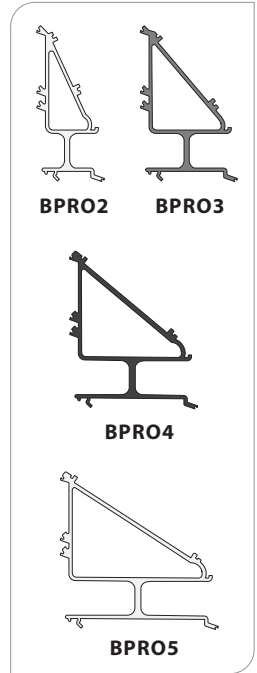
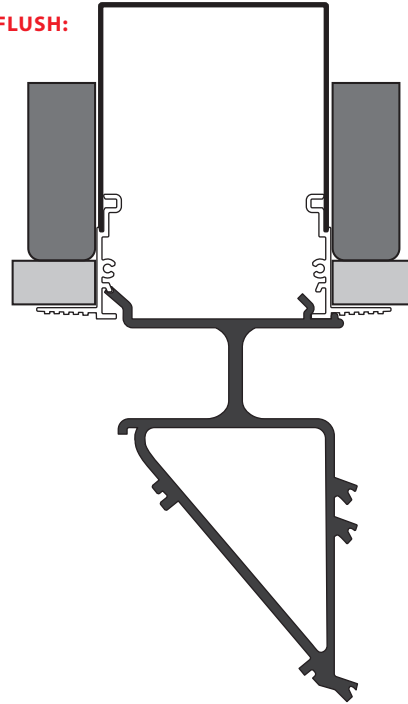
APERTURE GUIDES:

11) Use the provided X7 Aperture Guide to insure that the X7 trim is installed at the correct width so that the lens fits correctly. Depending on the lens position (FLSH, REG.5, REG1, REG3), the tool will use a specific setting for the wall-side locking feature.

½", 1" & 3" REGRESS:



FLUSH:

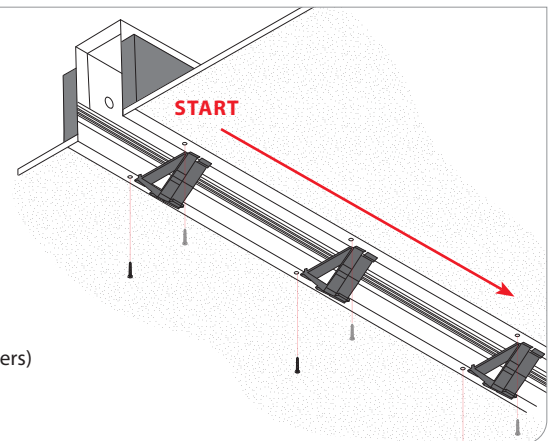
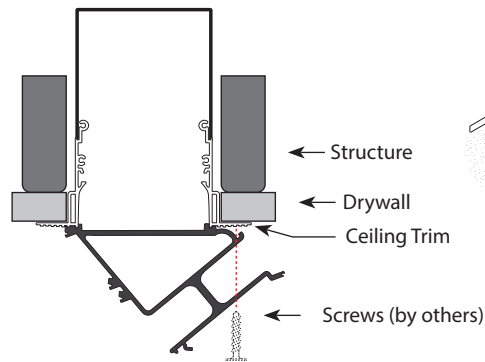


12) Remove aperture guide and safety cable from fixture.

— Install the aperture guide at the location where the screws are to be installed.

— Once you finish with that pair of screws, slide the aperture guide to the next screw location.

— Repeat until all screws are installed.



WARNING: Ground fixture in accordance with local and national electrical codes. Failure to do so may result in serious personal injury. Fixture Installations should ONLY be done by a qualified licensed electrical professional.

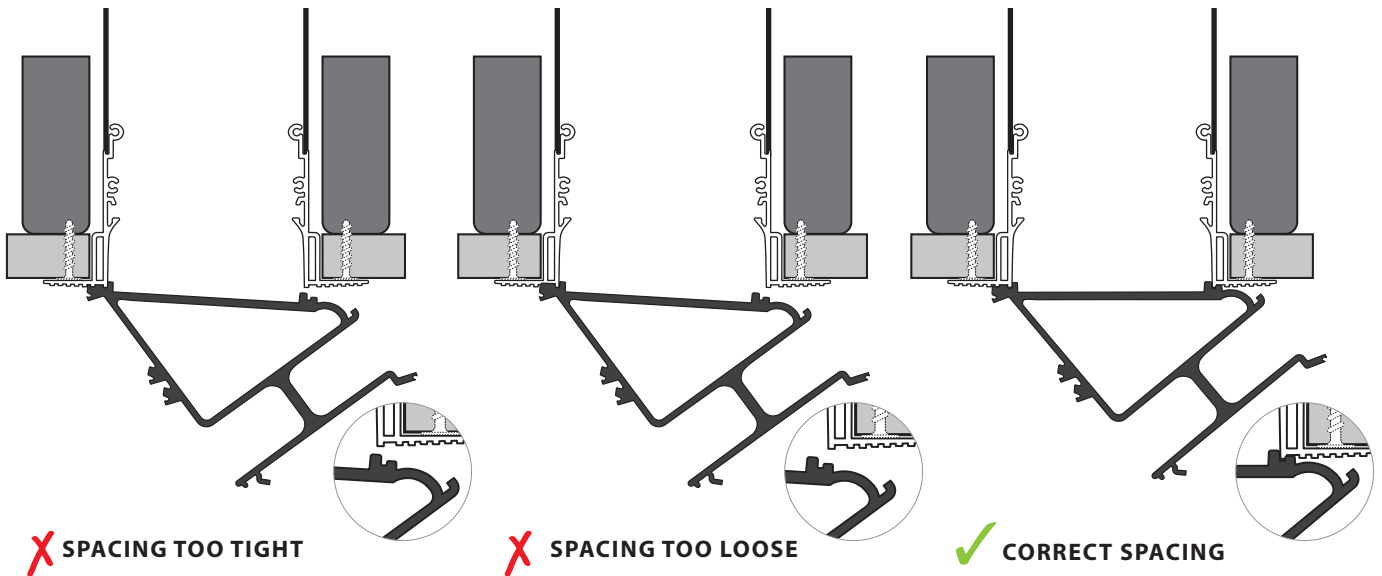


INSTALLATION INSTRUCTIONS

X7 (MUD-OVER)

12) Slide the aperture guide along the length of the fixture to ensure that there is continuous engagement between the guide and fixture aperture. If there is any disengagement, or the aperture guide gets stuck or hard to slide, remove screws in that area, adjust width, and reattach screws.

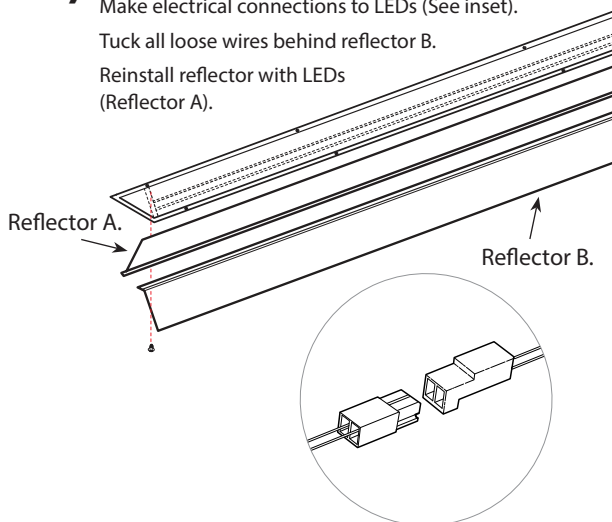
Check again with the aperture guide and make adjustments until the guide slides easily along the length of the fixture.



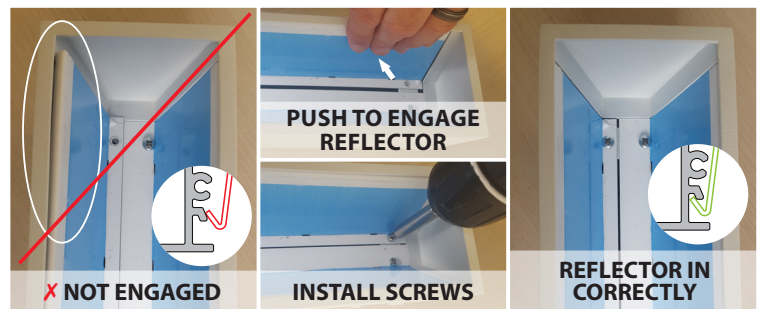
WARNING: Failure to follow this step will result in lens fit issues in the final assembly.

13) Finish ceiling (tape, mud, sand, paint).

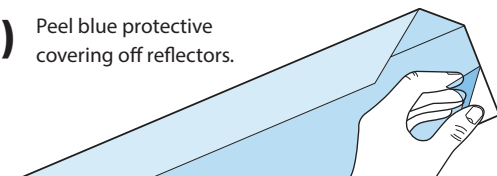
14) Reinstall the reflectors without LEDs (Reflector B). Make electrical connections to LEDs (See inset). Tuck all loose wires behind reflector B. Reinstall reflector with LEDs (Reflector A).



15) Snap reflectors into place.



16) Peel blue protective covering off reflectors.



SEE PAGE 14 FOR LENS INSTALLATION

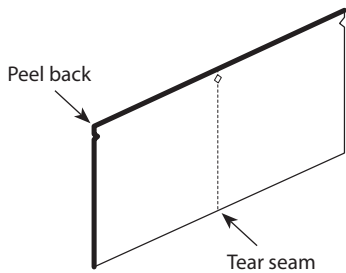
WARNING: Ground fixture in accordance with local and national electrical codes. Failure to do so may result in serious personal injury. Fixture Installations should ONLY be done by a qualified licensed electrical professional.



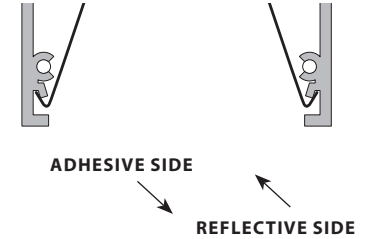
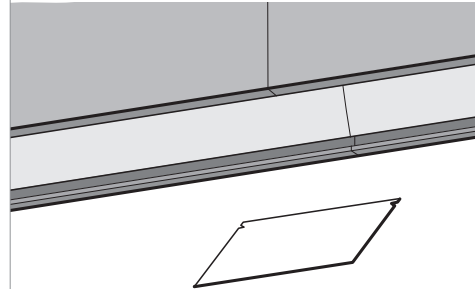
INSTALLATION INSTRUCTIONS

X7 (MUD-OVER)

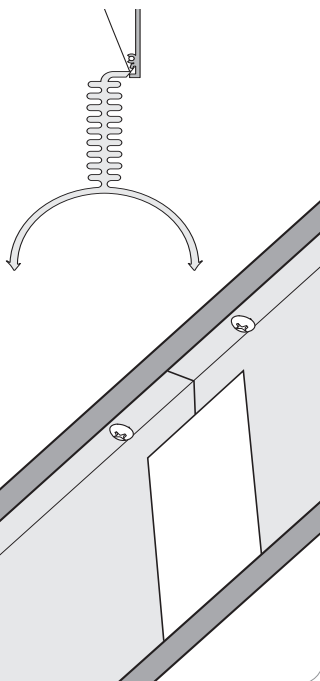
17a) Tear seam reflector at perforation. Peel film to reveal adhesive.



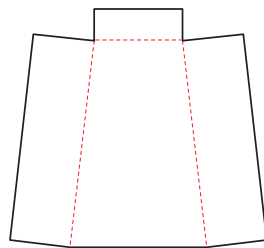
17b) Insert seam reflector under brake.



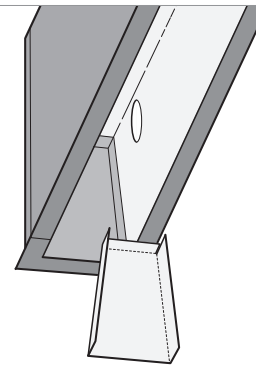
17c) Secure the seam reflector.



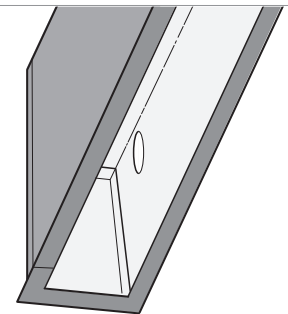
18)



FOLD END REFLECTORS AT PERFORATIONS



Align folded reflector with end cap interior.



Install end reflector so it covers the seam between the end cap and reflector

19) Install Lens (see page 14).

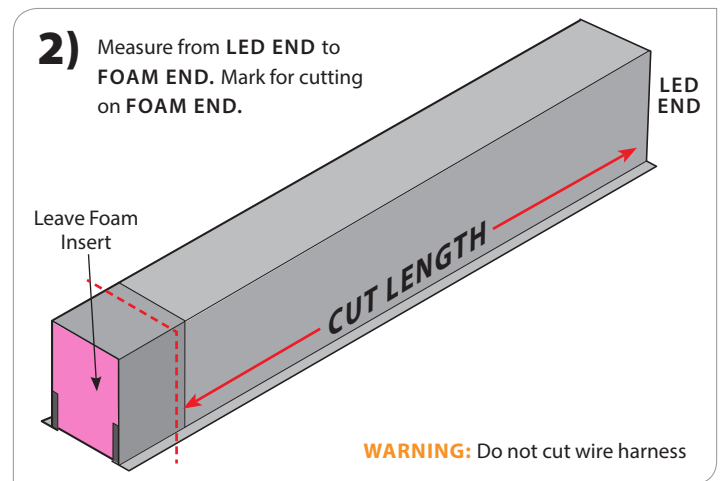
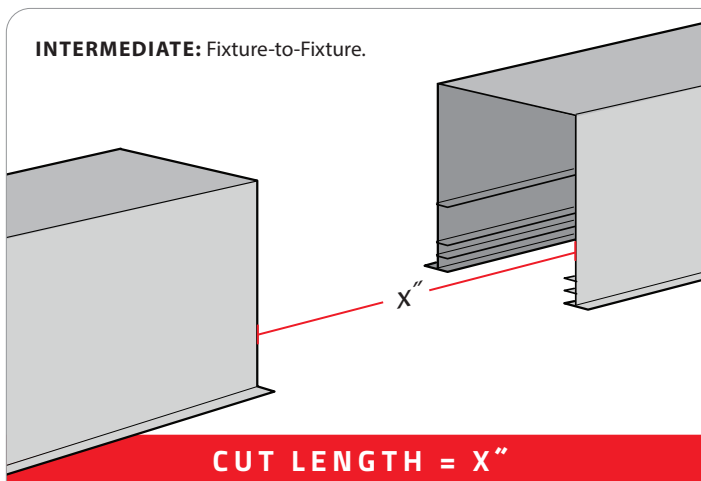
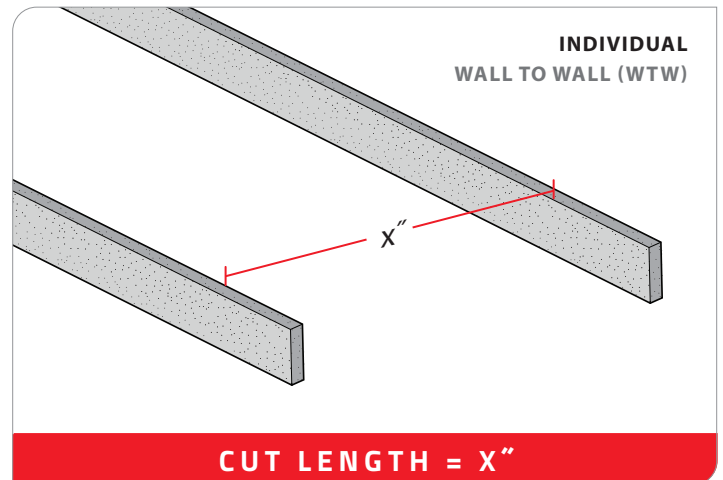
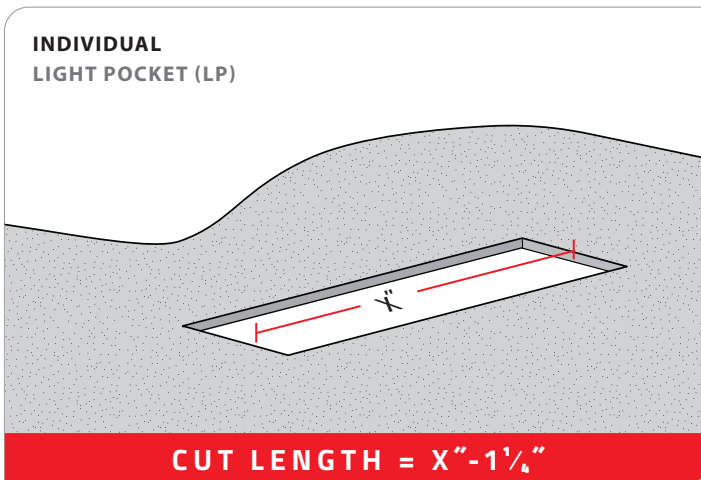
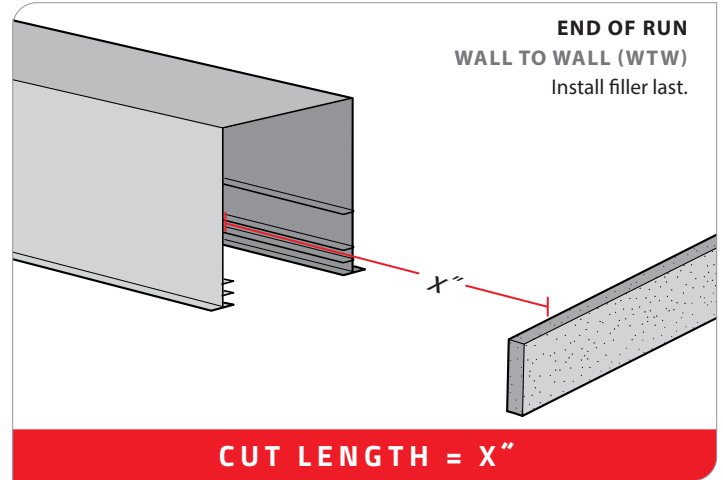
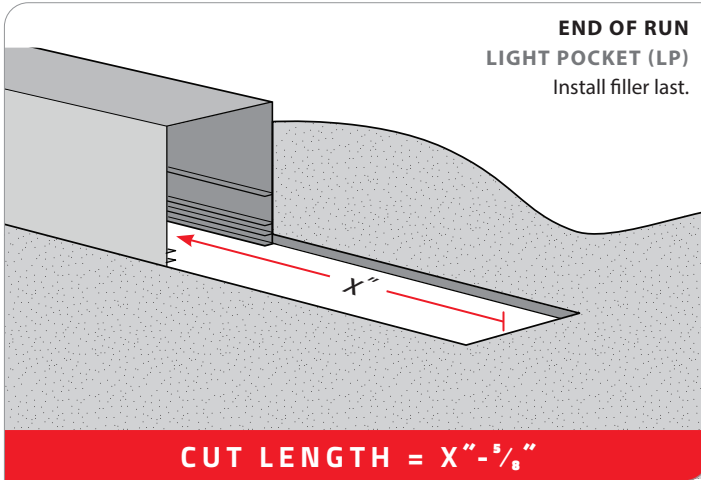
WARNING: Ground fixture in accordance with local and national electrical codes. Failure to do so may result in serious personal injury. Fixture Installations should ONLY be done by a qualified licensed electrical professional.



INSTALLATION INSTRUCTIONS

X7 (MUD-OVER)

1) Determine cut length of filler fixture.



WARNING: Ground fixture in accordance with local and national electrical codes. Failure to do so may result in serious personal injury. Fixture Installations should ONLY be done by a qualified licensed electrical professional.



INSTALLATION INSTRUCTIONS

X7 (MUD-OVER)

3) Cut foam insert side of fixture with chop saw (move screws if needed).
IF SCREW IS IN THE WAY, MOVE TO NEXT LOWEST COMPLETE HOLE PAIR

Pan Head #6-32- $\frac{3}{16}$ "

For **REGRESS 3** use Jigsaw.

4) Remove foam insert, install stiffener at first available holes.

#6-32 x $\frac{1}{4}$ " Flat Phillips Head Undercut Screw, Type F

USE MIDDLE "ANGLED" HOLES

5a) END OF RUN:
Previous fixture to wall

#6-32 x $\frac{1}{4}$ " Flat Phillips Head Undercut Screw, Type F

Install Wall End Plate

5b) END OF RUN:
Previous fixture to end of run

End Cap Counter Sink #6-32 x $\frac{3}{4}$ " Screw

Install Light Pocket Diecast End

5c) INDIVIDUAL:
Wall to Wall

#6-32 x $\frac{1}{4}$ " Flat Phillips Head Undercut Screw, Type F

Install (2) Wall End Plates

5d) INDIVIDUAL:
Ceiling Opening

End Cap Counter Sink #6-32 x $\frac{3}{4}$ " Screw

Install (2) Light Pocket End Caps

5e) INTERMEDIATE:

Install Taper Pins

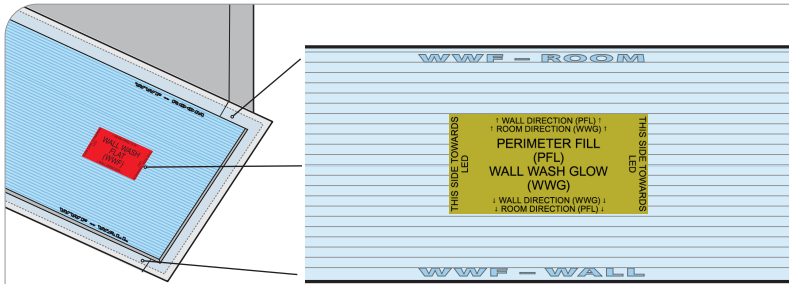
6) Pull telescoping LED reflector to end of fixture.

7) Return to step 17, page 11.

WARNING: Ground fixture in accordance with local and national electrical codes. Failure to do so may result in serious personal injury. Fixture Installations should ONLY be done by a qualified licensed electrical professional.



⚠ ENERGIZE ROWS TO ENSURE ALL LEDS ARE WORKING BEFORE INSTALL **👤 LENS REQUIRES TWO PEOPLE TO INSTALL**



LENS ORIENTATION

SAL – Satin lens has both sides the same, reversible, no orientation

BTW – Batwing shiny side UP, matte frosted side DOWN.

MGZ/WWF/WWG/PFL – Wall Wash and Perimeter lenses, ribbed side UP (they can be seen and felt).

NOTE: WWG and PFL are the same with opposite orientation

Stickers indicate **WALL** and **ROOM** sides, but the lens also has engraving indicating each as shown.

RECOMMENDED: Start lens installation from **LEFT** to **RIGHT**.



LENS INSTALLATION — IF ALL FIXTURES ARE ALREADY INSTALLED

1) Measure 18" from end cap. Using a pencil, place a small mark on the fixture.

2) Make sure lens is square.

3) Install tape strip **TIGHTLY** approximately 16" from start.

4) Insert lens into lens tool, then place just before **TIGHT** tape strip.

FOR BPRO2-REG3

Install clamp before inserting into fixture. Once installed in fixture, remove clamp and proceed to step 5.

→ Lens tool with clamp installed into fixture

→ Clamp removed

WARNING: Ground fixture in accordance with local and national electrical codes. Failure to do so may result in serious personal injury. Fixture Installations should **ONLY** be done by a qualified licensed electrical professional.



5) Install **LOOSE** tape strip about 12" from start to hold lens parallel to fixture (easier to pull).

6) Pull lens through channel with fingers or non-marring pliers.

NOTE: Hold lens roll near ceiling, close to horizontal with fixture.

7) Use tape strip to pull lens into end cap.

END OF ROW

8) Make sure lens is tucked inside end cap.

END OF ROW

9) At start of fixture, remove tape strips and as a rough cut trim lens 1" past end cap.

! **MAKE SURE LENS IS TUCKED INTO END CAP AT END OF ROW AS SHOWN IN STEP 8**

10) Mark lens with pencil where you made the mark 18" from start of row inside fixture.

! **MAKE SURE LENS IS TUCKED INTO END CAP AT END OF ROW AS SHOWN IN STEP 8**

11) Measure 18 1/16" from mark on lens to near end of lens. Mark and trim lens.

12) Slide lens tool end cap to insert remaining lens, using other end of tool or fingers to insert at end cap.

WARNING: Ground fixture in accordance with local and national electrical codes. Failure to do so may result in serious personal injury. Fixture Installations should **ONLY** be done by a qualified licensed electrical professional.



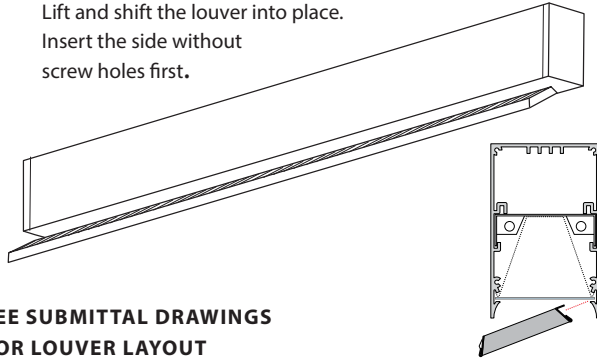
INSTALLATION INSTRUCTIONS

X7 (MUD-OVER)

LOUVERS

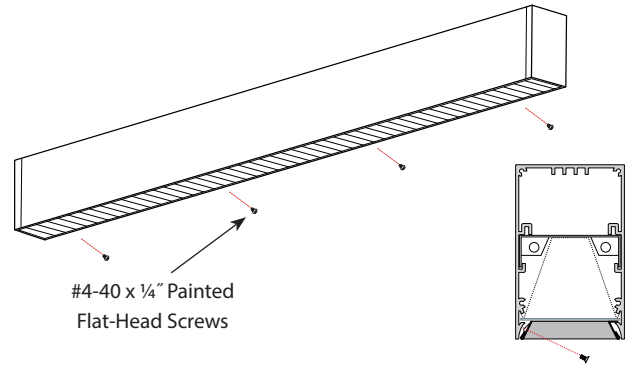
1) INSTALL LENS FIRST (SEE PAGE 14).

Match the louver holes with the body holes. Lift and shift the louver into place. Insert the side without screw holes first.



SEE SUBMITTAL DRAWINGS FOR LOUVER LAYOUT

2) Hold louver in place and install with included screws.



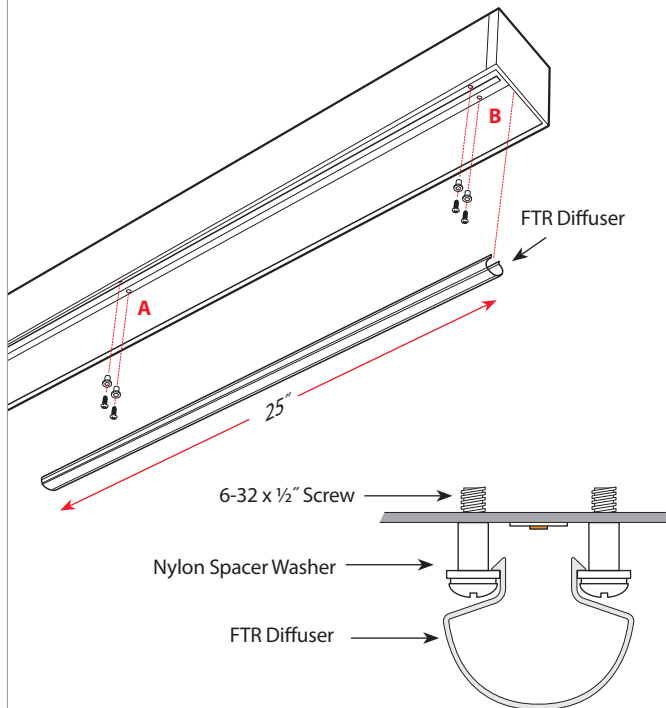
#4-40 x 1/4" Painted Flat-Head Screws

FTR (FEATHERING DIFFUSER) DETAIL

STANDARD FIXTURES

Before installing lens, replace the 1/4" screws at locations **A** and **B** with 1/2" screws, placing the provided spacer under the screws as shown.

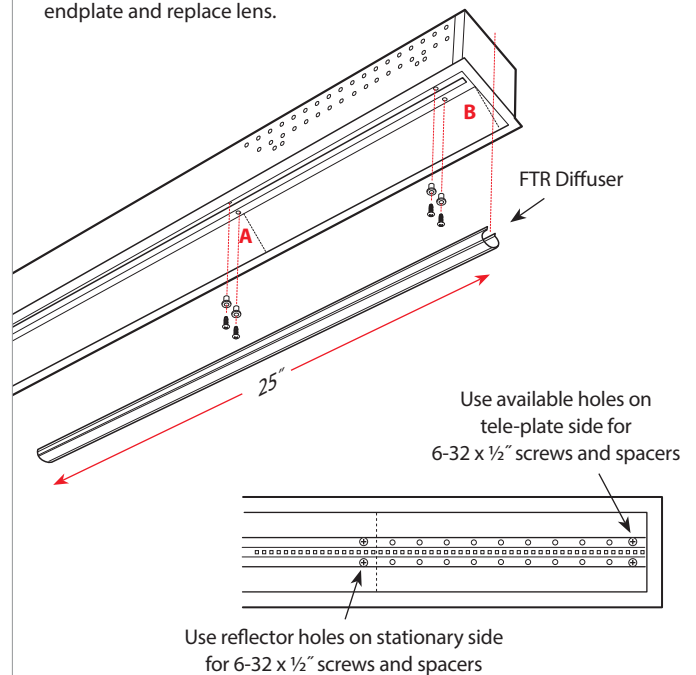
With screws and spacers installed, snap the FTR Diffuser over the LEDs at locations **A** and **B**, making sure that the hooks in the diffuser catch on the lip of the spacers. Push the FTR diffuser against the fixture endplate and install lens.



FILLER FIXTURES

After cutting the filler body to the desired length, at location **A**, replace the 1/4" screws with 1/2" screws, placing the provided spacer under the screws as shown. At location **B**, use available holes in tele-plate to attach screws and spacers.

With screws and spacers installed, snap the FTR Diffuser over the LEDs at locations **A** and **B**, making sure that the hooks in the diffuser catch on the lip of the spacers. Push the FTR diffuser against the fixture endplate and replace lens.



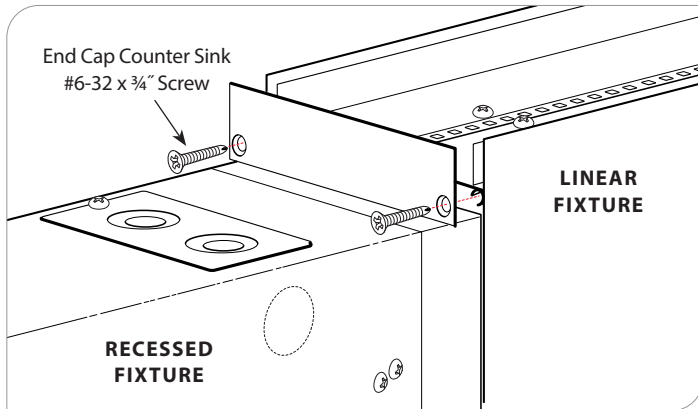
WARNING: Ground fixture in accordance with local and national electrical codes. Failure to do so may result in serious personal injury. Fixture Installations should ONLY be done by a qualified licensed electrical professional.



INSTALLATION INSTRUCTIONS

X7 (MUD-OVER)

LTR (LINEAR TO RECESSED) DETAIL

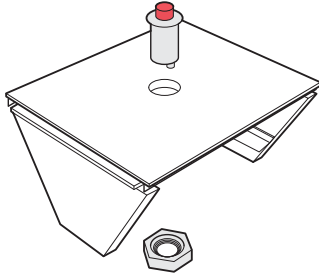


WARNING: Ground fixture in accordance with local and national electrical codes. Failure to do so may result in serious personal injury. Fixture Installations should ONLY be done by a qualified licensed electrical professional.

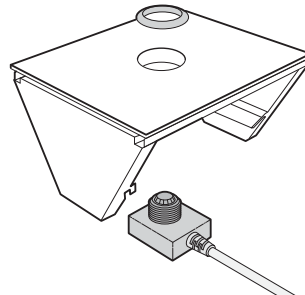


INSTALLATION INSTRUCTIONS

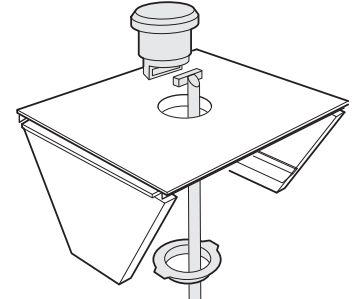
Emergency Light/Test Switch



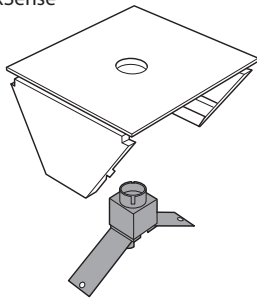
Wattstopper FS-205



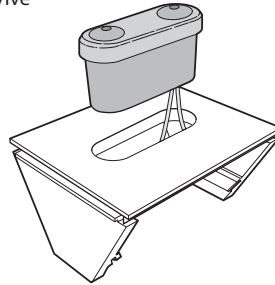
Enlighted



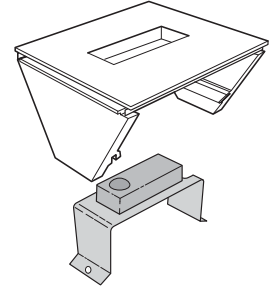
Phillips LuxSense



Lutron Vive



Hubbell NXSMP-SMI



SENSORS NA REG3. TILE MOUNT (BY OTHERS).

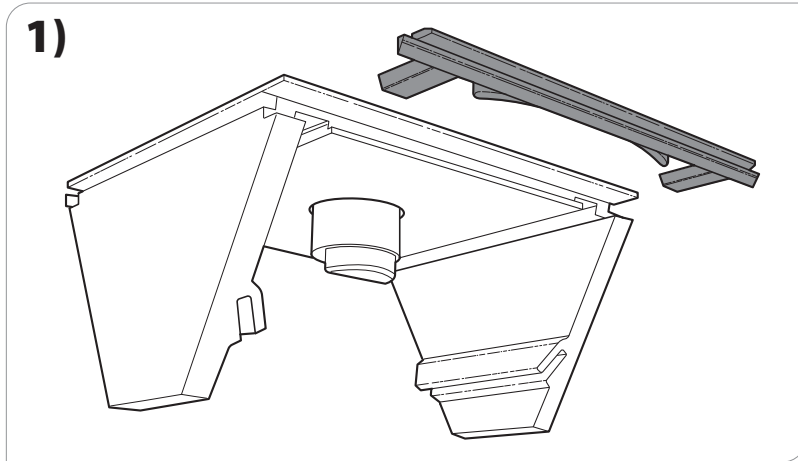
WARNING: Ground fixture in accordance with local and national electrical codes. Failure to do so may result in serious personal injury. Fixture Installations should ONLY be done by a qualified licensed electrical professional.



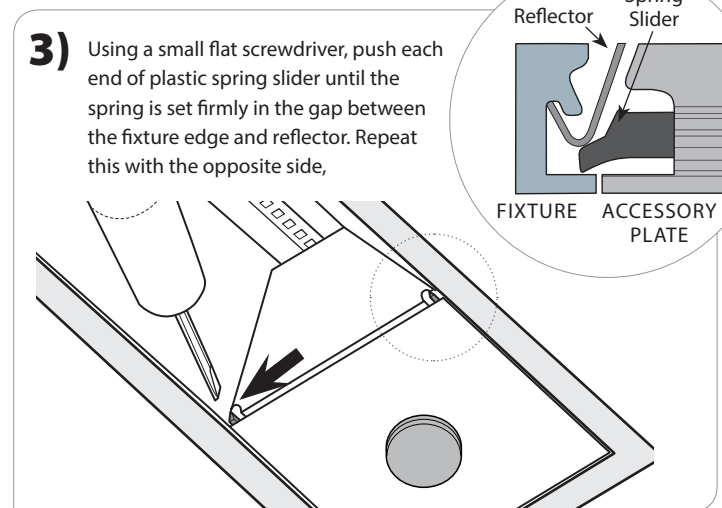
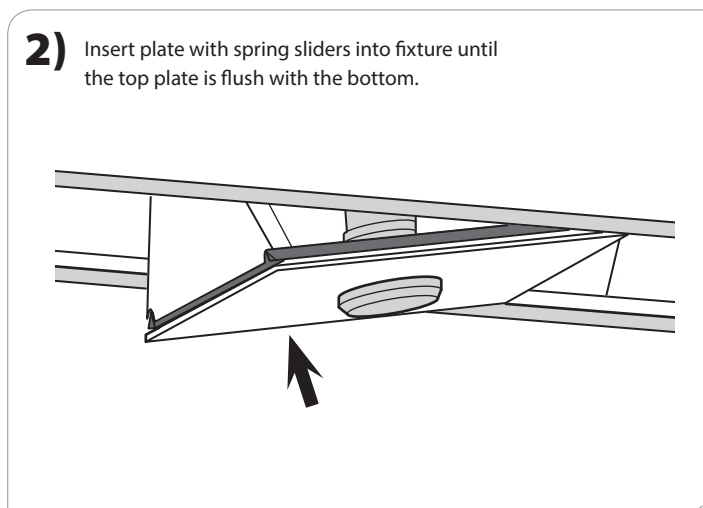
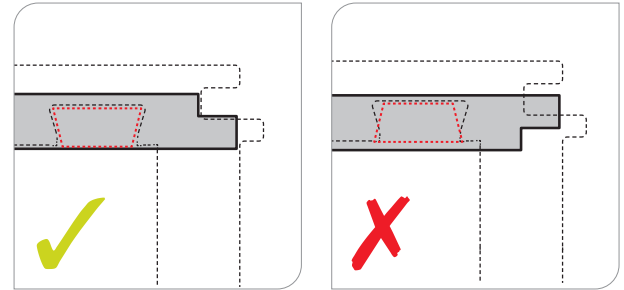
INSTALLATION INSTRUCTIONS

ACCESSORY PLATE ASSEMBLY

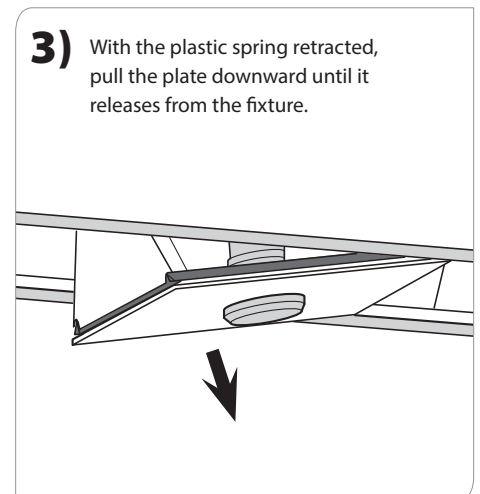
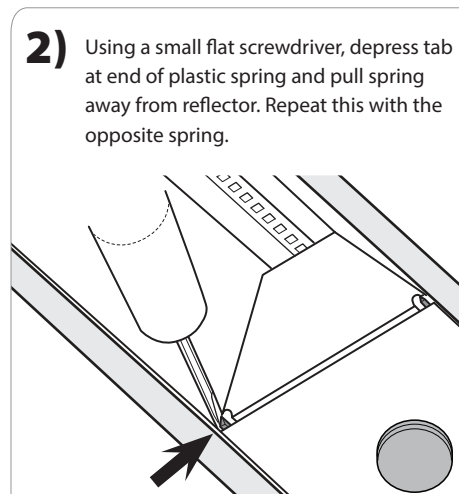
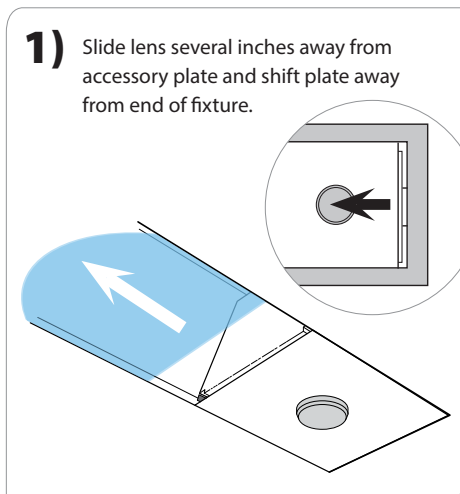
Insert slider spring tabs into dovetail slots in the bottom of plate



Spring tabs must be oriented to match dovetails in plate



ACCESSORY PLATE REMOVAL

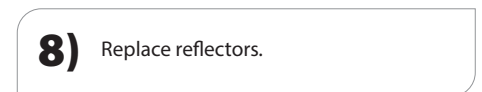
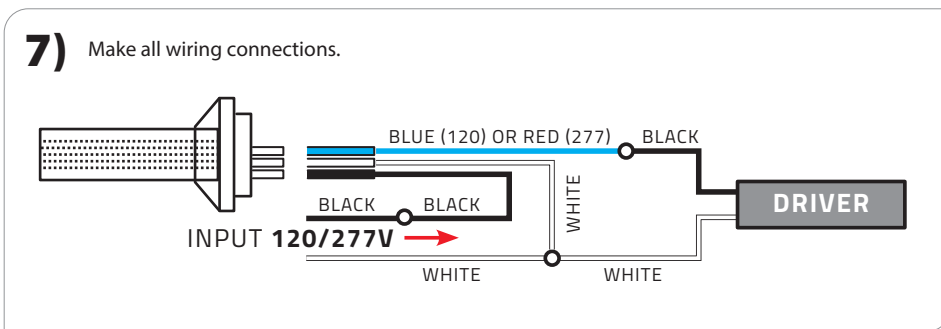
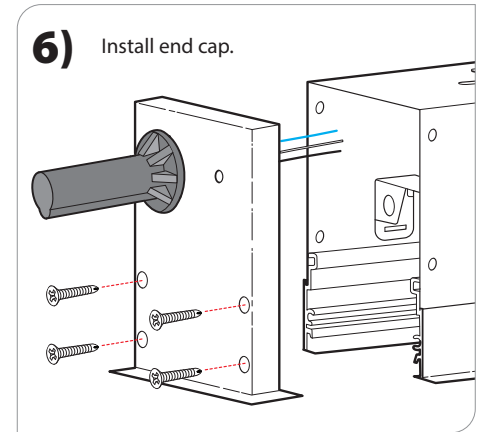
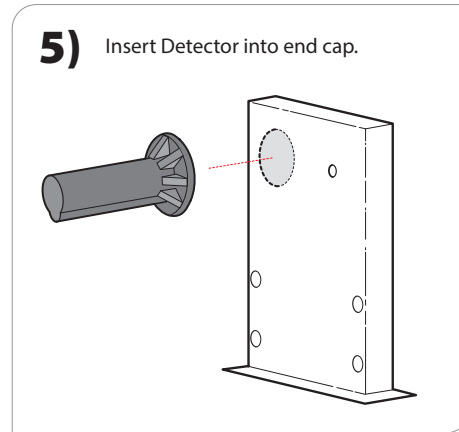
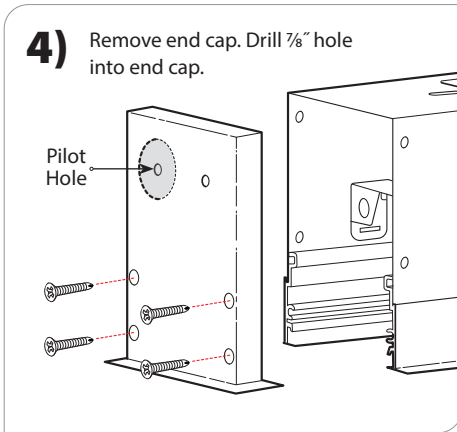
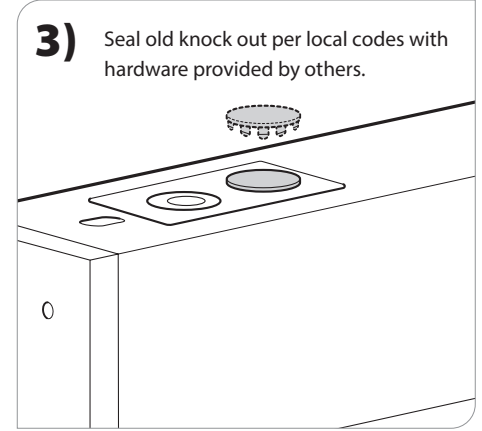
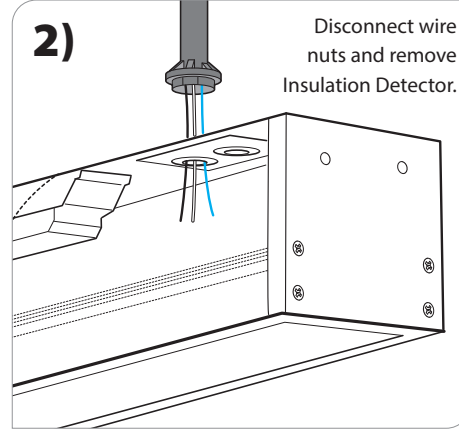
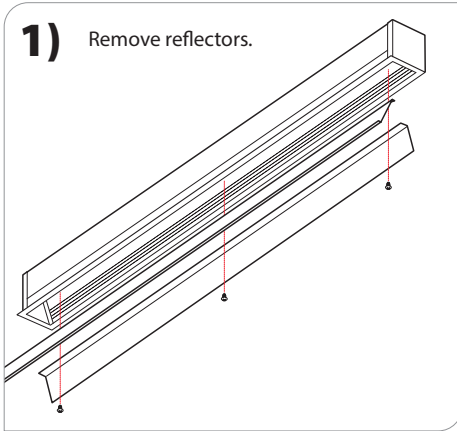


WARNING: Ground fixture in accordance with local and national electrical codes. Failure to do so may result in serious personal injury. Fixture Installations should ONLY be done by a qualified licensed electrical professional.



INSTALLATION INSTRUCTIONS

OPTIONAL: RELOCATE INSULATION DETECTOR FOR END CAP MOUNT

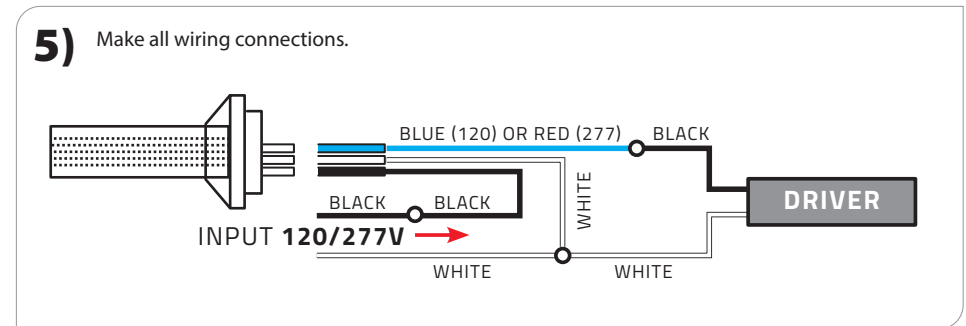
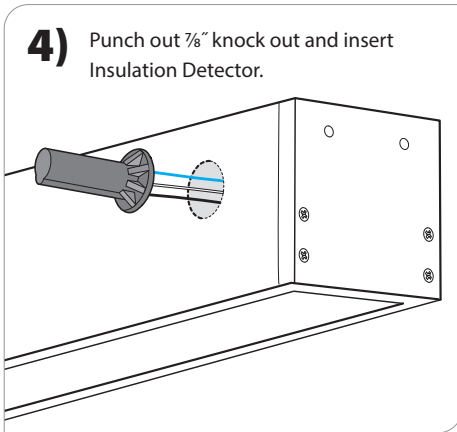
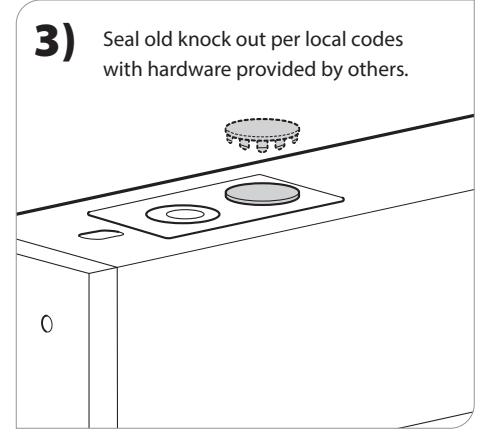
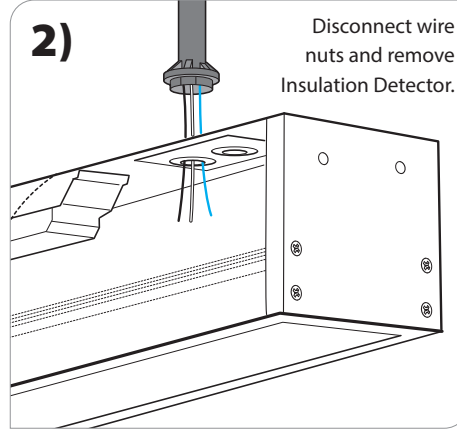
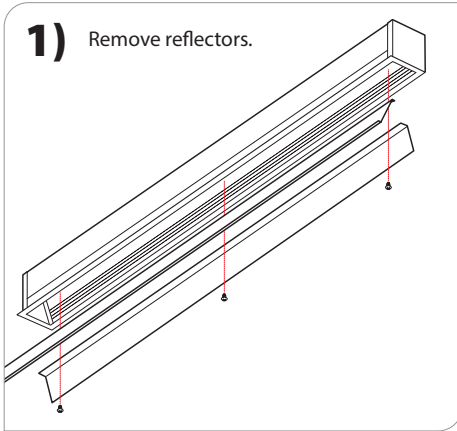


WARNING: Ground fixture in accordance with local and national electrical codes. Failure to do so may result in serious personal injury. Fixture Installations should ONLY be done by a qualified licensed electrical professional.



INSTALLATION INSTRUCTIONS

OPTIONAL: RELOCATE INSULATION DETECTOR FOR SIDE MOUNT



WARNING: Ground fixture in accordance with local and national electrical codes. Failure to do so may result in serious personal injury. Fixture Installations should ONLY be done by a qualified licensed electrical professional.