

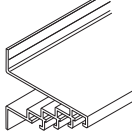






## INSTALLATION INSTRUCTIONS




### X9 (T-BAR)

PART	PART NO.	DESCRIPTION
------	----------	-------------

#### RAIL EXTRUSION:

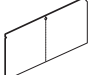
	100-00389-02	Hard Ceiling Rail
	100-00367-14	1/4"-20 Locknut
	100-00337-14	1/4" Washer 5/32 ID - 5/8" OD
	100-00365-14	1/4"-20 x 3" Hex Head Screw (FOR BPRO 2 & 3)
	100-00366-14	1/4"-20 x 3 1/2" Hex Head Screw (FOR BPRO 4 & 5)

	See Order	Louvers
---	-----------	---------

	100-00359-14	#4-40 x 1/4" Flat Head Phil Machine Screw
	100-00283-14	1/4"-20 x 5" Round Head Combination Drive Machine Screw
	100-00255-14	1/4"-20 KEPS Hex Nut

	100-00040-20	Tape Strips
	100-00299-14	#6 Reflector Screws



	100-00311-14	Taper Pin (Shipped Installed)
---	--------------	-------------------------------

	100-00486-10	Seam Reflector
---	--------------	----------------



	100-00199-03	Regress Trim Aligner
---	--------------	----------------------

#### UNTHREADED BUMPERS:

FOR NON-LOUVER FIXTURES —

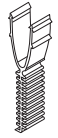

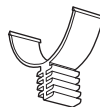
	100-00368-14	1/2" OD 3/16" High
	100-00363-14	#4-40 x 1/4" Phil Round Head Screw

FOR LOUVER FIXTURES —

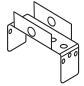
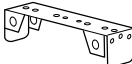

	100-00369-14	1/2" OD 3/8" High
	100-00364-14	#4-40 x 5/16" Phil Round Head Screw

PART	SIZE	PART NO.	DESCRIPTION
------	------	----------	-------------

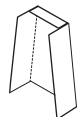
#### LENS TOOL:

	2"	100-00462-10	White
		100-00508-10	BPRO2 Lens Tool Clamp (REGRESS 3 ONLY)
	3"	100-00464-10	Natural
	4"	100-00465-10	Black
	5"	100-00463-10	White

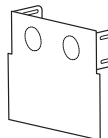

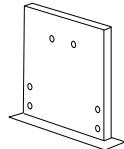

#### STIFFENER:

	2"	106695	
	3"	106694	FOR FILLER FIXTURES ONLY
	4"	106693	
	5"	106692	
		100-00212-14	#6-32 x 1/4" Flat Phillips Head Undercut Screw, Type F (4 SCREWS PER STIFFENER)

#### END PLATE REFLECTOR:

	2"	100-00482-10	
	3"	100-00483-10	For Non-White Painted Fixtures Only
	4"	100-00484-10	
	5"	100-00485-10	

#### END PLATES:

	2"	111067	
	3"	111068	Wall-to-Wall
	4"	111069	
	5"	111070	
		100-00212-14	#6-32 x 1/4" Flat Phillips Head Undercut Screw, Type F
	See Page 2		Light Pocket
		100-00300-14	End Cap Counter Sink #6-32 x 3/4" Screw

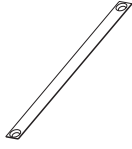
**WARNING:** Ground fixture in accordance with local and national electrical codes. Failure to do so may result in serious personal injury. Fixture installations should ONLY be done by a qualified licensed electrical professional.






## INSTALLATION INSTRUCTIONS

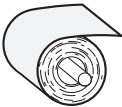
### X9 (T-BAR)

#### LRT (LINEAR TO RECESSED TRANSITION PLATES):

	DIRECT TO REC/PER	DIRECT/INDIRECT TO REC/PER
	2" — 135770	135774
	3" — 135771	135775
	4" — 135772	135776
	5" — 135773	135777

#### FTR (FEATHERING DIFFUSER):

	100-00843-10 Diffuser
	100-00374-14 Nylon Spacer Washer
	100-00182-14 6-32 x 1/2" Screw

PARTS LIST	SIZE	PART NO.			
<b>LENS OPTIONS:</b>		<b>SAL (SATIN ACRYLIC)</b>	<b>PFL (PERIMETER FILL)</b>	<b>MGZ (MEDIUM WALL GRAZE)</b>	
	2" —	100-00966-18	100-00978-18	100-01004-18	
	3" —	100-00967-18	100-00979-18	100-01005-18	
	4" —	100-00968-18	100-00980-18	100-01006-08	
	5" —	100-00969-18	100-00981-18	100-01007-18	

#### END CAPS (NO LOUVERS):

		FLUSH		REGRESS 0.5"		REGRESS 1"		REGRESS 3"	
		START	END	START	END	START	END	START	END
X9	BPRO2	100-00081-03		139579	139580	138505	138506	135738	135739
	BPRO3	100-00082-03		139599	139600	138525	138526	135748	135749
	BPRO4	100-00083-03		139619	139620	138545	138546	135758	135759
	BPRO5	100-00084-03		139639	139640	138565	138566	135768	135769

#### END CAPS FOR LOUVERS:

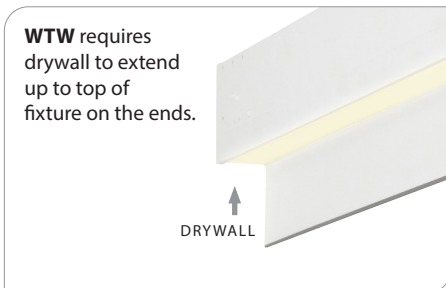
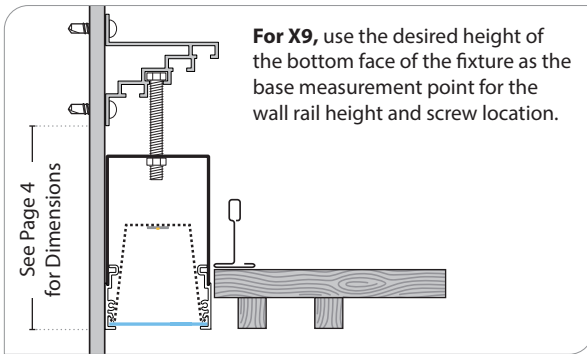
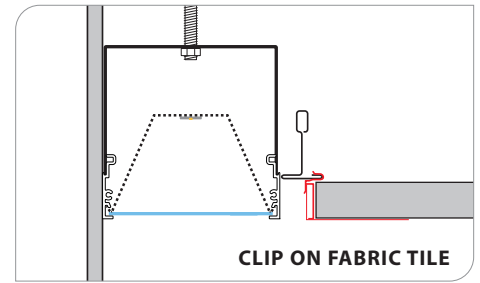
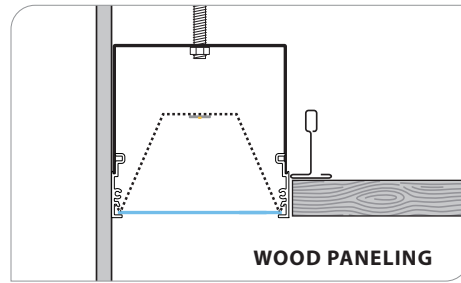
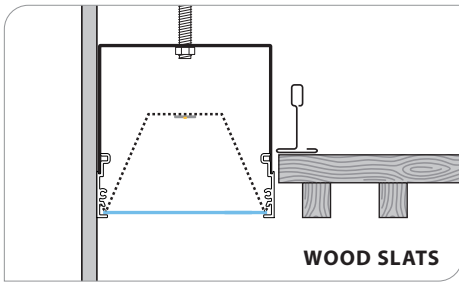
		FLUSH		REGRESS 1"		REGRESS 3"	
		START	END	START	END	START	END
X9	BPRO2	139581	139582	138507	138508	138135	138136
	BPRO3	139601	139602	138527	138528	138145	138146
	BPRO4	139621	139622	138547	138548	138155	138156
	BPRO5	139641	139642	138567	138568	138165	138166

**WARNING:** Ground fixture in accordance with local and national electrical codes. Failure to do so may result in serious personal injury. Fixture Installations should ONLY be done by a qualified licensed electrical professional.



## INSTALLATION INSTRUCTIONS

### X9 (T-BAR)



**WARNING:** Ground fixture in accordance with local and national electrical codes. Failure to do so may result in serious personal injury. Fixture Installations should ONLY be done by a qualified licensed electrical professional.



## INSTALLATION INSTRUCTIONS

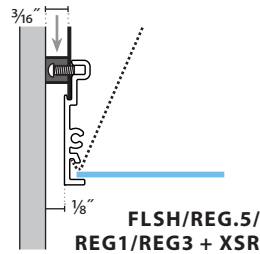
PRULITE.COM 213.746.0360

### X9 (T-BAR)

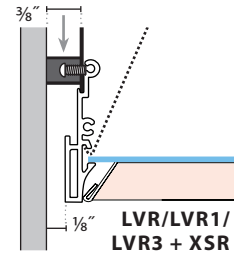
#### WALL TO GRID DIMENSIONS:

APERTURE	FLUSH TO WALL				XSR SHADOW REVEAL (OPTIONAL)			
	X = CEILING OPENING							
NO LOUVERS	2 <sup>3</sup> / <sub>16</sub> "	3 <sup>3</sup> / <sub>16</sub> "	4 <sup>3</sup> / <sub>16</sub> "	5 <sup>3</sup> / <sub>16</sub> "	2 <sup>5</sup> / <sub>16</sub> "	3 <sup>5</sup> / <sub>16</sub> "	4 <sup>5</sup> / <sub>16</sub> "	5 <sup>5</sup> / <sub>16</sub> "
WITH LOUVERS	2 <sup>5</sup> / <sub>16</sub> "	3 <sup>5</sup> / <sub>16</sub> "	4 <sup>5</sup> / <sub>16</sub> "	5 <sup>5</sup> / <sub>16</sub> "	2 <sup>1</sup> / <sub>2</sub> "	3 <sup>1</sup> / <sub>2</sub> "	4 <sup>1</sup> / <sub>2</sub> "	5 <sup>1</sup> / <sub>2</sub> "

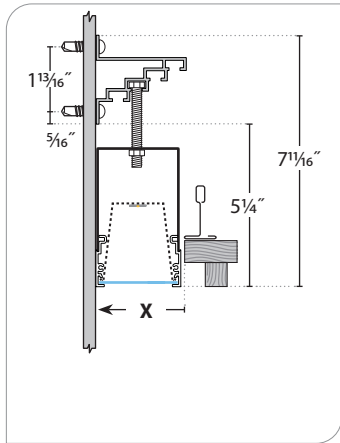
UNTHREADED BUMPER  
P/N: 100-00368-14



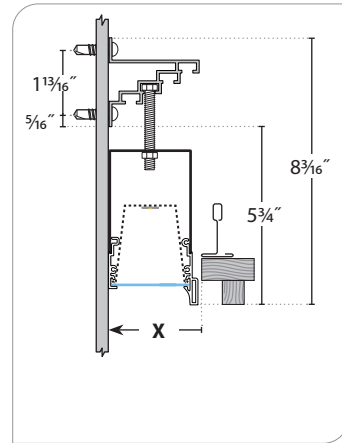
UNTHREADED BUMPER  
P/N: 100-00369-14



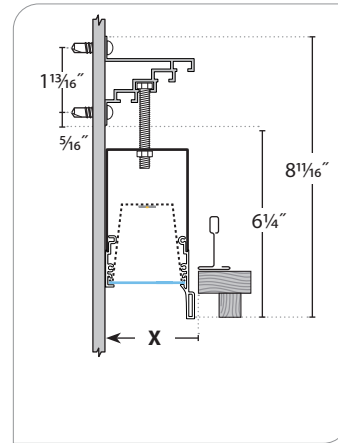
**FLSH:**



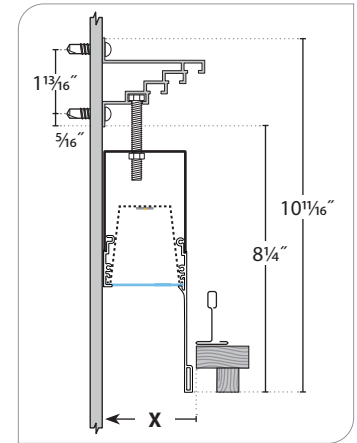
**REG.5:**



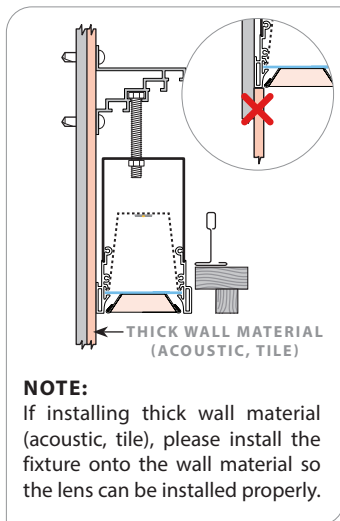
**REG1:**



**REG3:**



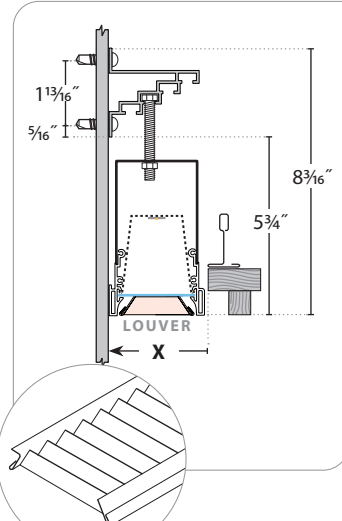
**THICK WALL MATERIALS:**



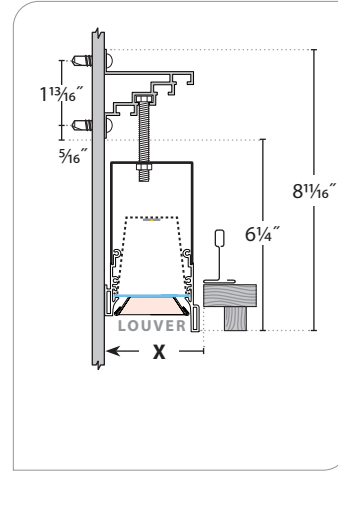
**NOTE:**

If installing thick wall material (acoustic, tile), please install the fixture onto the wall material so the lens can be installed properly.

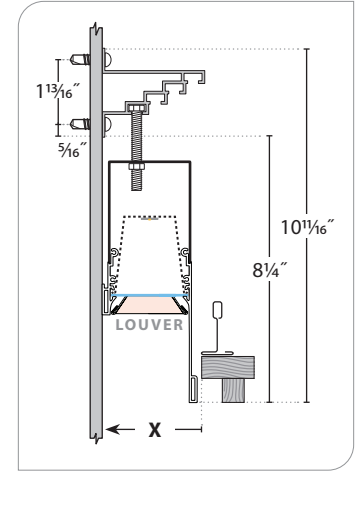
**LVR:**



**LVR1:**



**LVR3:**



**WARNING:** Ground fixture in accordance with local and national electrical codes. Failure to do so may result in serious personal injury. Fixture Installations should ONLY be done by a qualified licensed electrical professional.



Prudential Ltg. reserves the right to change design specifications or materials without notice. Please visit prulite.com for most current data. © 2025 All rights reserved—All products manufactured at: Prudential Ltg. 1774 E. 21<sup>st</sup> Street, Los Angeles, CA 90058



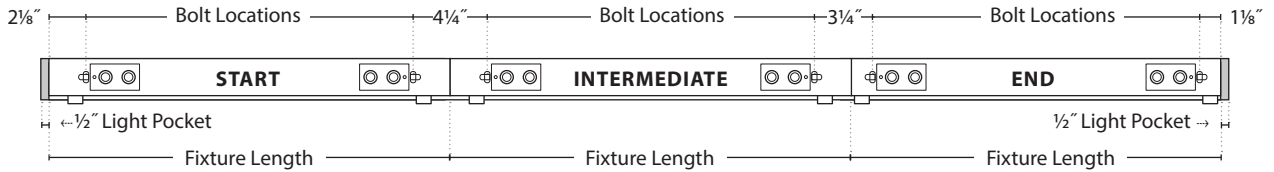
## INSTALLATION INSTRUCTIONS

PRULITE.COM 213.746.0360

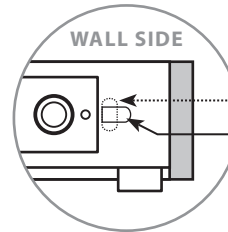
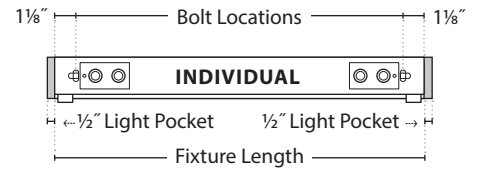
### X9 (T-BAR)

#### BPRO2

#### LIGHT POCKET (LP):



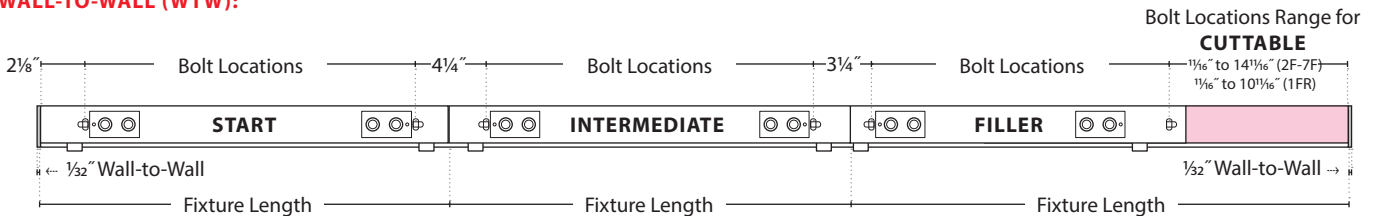
	FIXTURE LENGTHS		BOLT LOCATIONS
	Start / Intermediate	End / Individual	
2'	24"	22"	19 3/4"
3'	36"	34"	31 3/4"
4'	48"	46"	43 3/4"
5'	60"	58"	55 3/4"
6'	72"	70"	67 3/4"
7'	84"	82"	79 3/4"
8'	96"	94"	91 3/4"



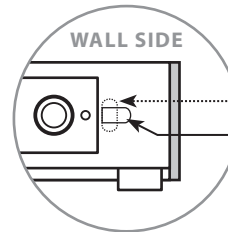
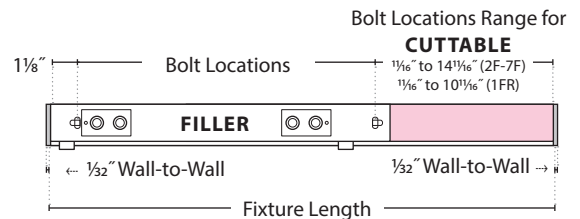
#### BOLT LOCATIONS

XSR / LOUVER  
NON XSR / NON LOUVER

#### WALL-TO-WALL (WTW):



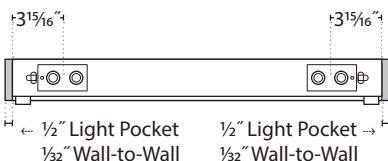
	FIXTURE LENGTH		BOLT LOCATIONS	
	Start / Intermediate	Filler	Start / Intermediate	Filler
—	—	—	—	—
2'	24"	16" - 26"	19 3/4"	14 1/8"
3'	36"	24" - 38"	31 3/4"	22 1/8"
4'	48"	36" - 50"	43 3/4"	34 1/8"
5'	60"	48" - 62"	55 3/4"	46 1/8"
6'	72"	60" - 74"	67 3/4"	58 1/8"
7'	84"	72" - 86"	79 3/4"	70 1/8"
8'	96"	84" - 98"	91 3/4"	82 1/8"



#### BOLT LOCATIONS

XSR / LOUVER  
NON XSR / NON LOUVER

#### POWER FEED LOCATIONS:





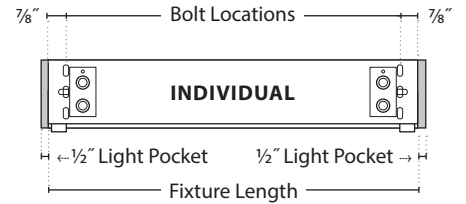
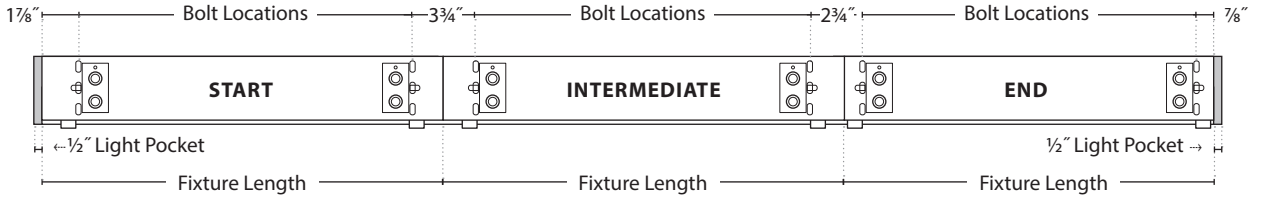
## INSTALLATION INSTRUCTIONS

PRULITE.COM 213.746.0360

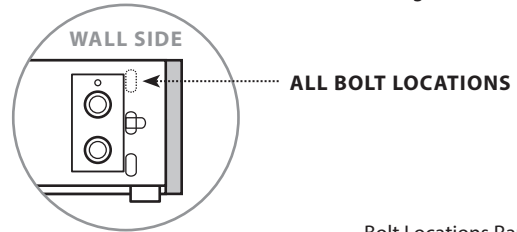
### X9 (T-BAR)

**BPRO3/4/5**

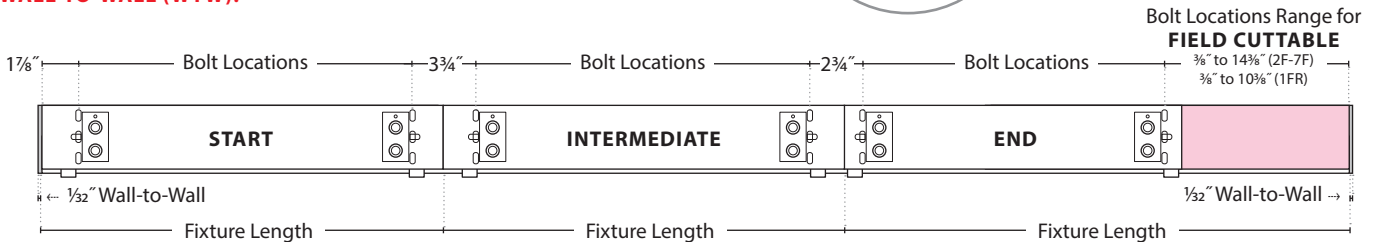
**LIGHT POCKET (LP):**



	FIXTURE LENGTHS		BOLT LOCATIONS
	Start / Intermediate	End / Individual	
2'	24"	22"	20 1/4"
3'	36"	34"	32 1/4"
4'	48"	46"	44 1/4"
5'	60"	58"	56 1/4"
6'	72"	70"	68 1/4"
7'	84"	82"	80 1/4"
8'	96"	94"	92 1/4"

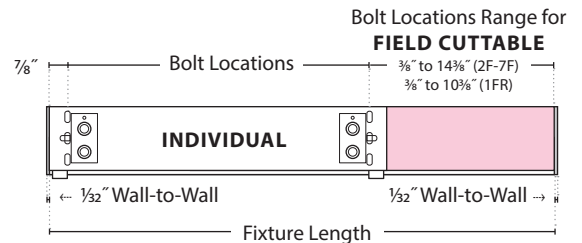


**WALL-TO-WALL (WTW):**

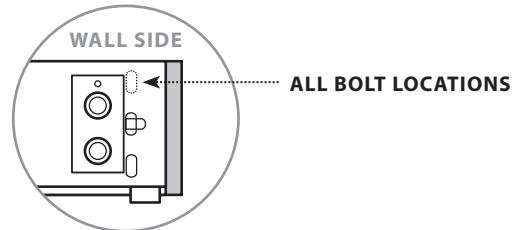


Bolt Locations Range for **FIELD CUTTABLE**  
 3/8" to 14 3/8" (2F-7F)  
 3/8" to 10 3/8" (1FR)

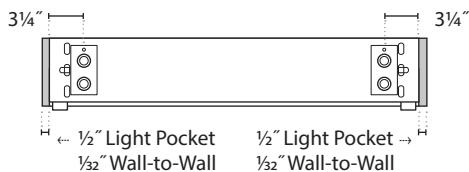
	FIXTURE LENGTH		BOLT LOCATIONS	
	Start / Intermediate	Filler	Start / Intermediate	Filler
—	—	—	—	—
2'	24"	16" - 26"	20 1/4"	14 3/4"
3'	36"	24" - 38"	32 1/4"	22 3/4"
4'	48"	36" - 50"	44 1/4"	34 3/4"
5'	60"	48" - 62"	56 1/4"	46 3/4"
6'	72"	60" - 74"	68 1/4"	58 3/4"
7'	84"	72" - 86"	80 1/4"	70 3/4"
8'	96"	84" - 98"	92 1/4"	82 3/4"



Bolt Locations Range for **FIELD CUTTABLE**  
 3/8" to 14 3/8" (2F-7F)  
 3/8" to 10 3/8" (1FR)



**POWER FEED LOCATIONS:**





## INSTALLATION INSTRUCTIONS

### X9 (T-BAR)

#### ROW BUILDER

##### LIGHT POCKET (LP):

ROW LENGTH	FIXTURE ROW
9'	4FT STR + 5FT END
10'	4FT STR + 6FT END
11'	4FT STR + 7FT END
12'	8FT STR + 4FT END
13'	8FT STR + 5FT END
14'	8FT STR + 6FT END
15'	8FT STR + 7FT END
16'	8FT STR + 8FT END
17'	4FT STR + (1) 8FT INT + 5FT END
18'	4FT STR + (1) 8FT INT + 6FT END
19'	4FT STR + (1) 8FT INT + 7FT END
20'	8FT STR + (1) 8FT INT + 4FT END
21'	8FT STR + (1) 8FT INT + 5FT END
22'	8FT STR + (1) 8FT INT + 6FT END
23'	8FT STR + (1) 8FT INT + 7FT END
24'	8FT STR + (1) 8FT INT + 8FT END
25'	4FT STR + (2) 8FT INT + 5FT END
26'	4FT STR + (2) 8FT INT + 6FT END
27'	4FT STR + (2) 8FT INT + 7FT END
28'	8FT STR + (2) 8FT INT + 4FT END
29'	8FT STR + (2) 8FT INT + 5FT END
30'	8FT STR + (2) 8FT INT + 6FT END
31'	8FT STR + (2) 8FT INT + 7FT END
32'	8FT STR + (2) 8FT INT + 8FT END
33'	4FT STR + (3) 8FT INT + 5FT END
34'	4FT STR + (3) 8FT INT + 6FT END
35'	4FT STR + (3) 8FT INT + 7FT END
36'	8FT STR + (3) 8FT INT + 4FT END
37'	8FT STR + (3) 8FT INT + 5FT END
38'	8FT STR + (3) 8FT INT + 6FT END
39'	8FT STR + (3) 8FT INT + 7FT END
40'	8FT STR + (3) 8FT INT + 8FT END
41'	4FT STR + (4) 8FT INT + 5FT END
42'	4FT STR + (4) 8FT INT + 6FT END
43'	4FT STR + (4) 8FT INT + 7FT END
44'	8FT STR + (4) 8FT INT + 4FT END
45'	8FT STR + (4) 8FT INT + 5FT END
46'	8FT STR + (4) 8FT INT + 6FT END
47'	8FT STR + (4) 8FT INT + 7FT END
48'	8FT STR + (4) 8FT INT + 8FT END
49'	4FT STR + (5) 8FT INT + 5FT END
50'	4FT STR + (5) 8FT INT + 6FT END

##### WALL-TO-WALL (WTW):

ROW LENGTH	FIXTURE ROW	MINIMUM FILLER LENGTH	MAXIMUM FILLER LENGTH
9'	4FT STR + 4FT FILLER	8' - 0" (96")	9' - 2" (110")
10'	4FT STR + 5FT FILLER	9' - 0" (108")	10' - 2" (122")
11'	4FT STR + 6FT FILLER	10' - 0" (120")	11' - 2" (134")
12'	4FT STR + 7FT FILLER	11' - 0" (132")	12' - 2" (146")
13'	8FT STR + 4FT FILLER	12' - 0" (144")	13' - 2" (158")
14'	8FT STR + 5FT FILLER	13' - 0" (156")	14' - 2" (170")
15'	8FT STR + 6FT FILLER	14' - 0" (168")	15' - 2" (182")
16'	8FT STR + 7FT FILLER	15' - 0" (180")	16' - 2" (194")
17'	4FT STR + (1) 8FT INT + 4FT FILLER	16' - 0" (192")	17' - 2" (206")
18'	4FT STR + (1) 8FT INT + 5FT FILLER	17' - 0" (204")	18' - 2" (218")
19'	4FT STR + (1) 8FT INT + 6FT FILLER	18' - 0" (216")	19' - 2" (230")
20'	4FT STR + (1) 8FT INT + 7FT FILLER	19' - 0" (228")	20' - 2" (242")
21'	8FT STR + (1) 8FT INT + 4FT FILLER	20' - 0" (240")	21' - 2" (254")
22'	8FT STR + (1) 8FT INT + 5FT FILLER	21' - 0" (252")	22' - 2" (266")
23'	8FT STR + (1) 8FT INT + 6FT FILLER	22' - 0" (264")	23' - 2" (278")
24'	8FT STR + (1) 8FT INT + 7FT FILLER	23' - 0" (276")	24' - 2" (290")
25'	4FT STR + (2) 8FT INT + 4FT FILLER	24' - 0" (288")	25' - 2" (302")
26'	4FT STR + (2) 8FT INT + 5FT FILLER	25' - 0" (300")	26' - 2" (314")
27'	4FT STR + (2) 8FT INT + 6FT FILLER	26' - 0" (312")	27' - 2" (326")
28'	4FT STR + (2) 8FT INT + 7FT FILLER	27' - 0" (324")	28' - 2" (338")
29'	8FT STR + (2) 8FT INT + 4FT FILLER	28' - 0" (336")	29' - 2" (350")
30'	8FT STR + (2) 8FT INT + 5FT FILLER	29' - 0" (348")	30' - 2" (362")
31'	8FT STR + (2) 8FT INT + 6FT FILLER	30' - 0" (360")	31' - 2" (374")
32'	8FT STR + (2) 8FT INT + 7FT FILLER	31' - 0" (372")	32' - 2" (386")
33'	4FT STR + (3) 8FT INT + 4FT FILLER	32' - 0" (384")	33' - 2" (398")
34'	4FT STR + (3) 8FT INT + 5FT FILLER	33' - 0" (396")	34' - 2" (410")
35'	4FT STR + (3) 8FT INT + 6FT FILLER	34' - 0" (408")	35' - 2" (422")
36'	4FT STR + (3) 8FT INT + 7FT FILLER	35' - 0" (420")	36' - 2" (434")
37'	8FT STR + (3) 8FT INT + 4FT FILLER	36' - 0" (432")	37' - 2" (446")
38'	8FT STR + (3) 8FT INT + 5FT FILLER	37' - 0" (444")	38' - 2" (458")
39'	8FT STR + (3) 8FT INT + 6FT FILLER	38' - 0" (456")	39' - 2" (470")
40'	8FT STR + (3) 8FT INT + 7FT FILLER	39' - 0" (468")	40' - 2" (482")
41'	4FT STR + (4) 8FT INT + 4FT FILLER	40' - 0" (480")	41' - 2" (494")
42'	4FT STR + (4) 8FT INT + 5FT FILLER	41' - 0" (492")	42' - 2" (506")
43'	4FT STR + (4) 8FT INT + 6FT FILLER	42' - 0" (504")	43' - 2" (518")
44'	4FT STR + (4) 8FT INT + 7FT FILLER	43' - 0" (516")	44' - 2" (530")
45'	8FT STR + (4) 8FT INT + 4FT FILLER	44' - 0" (528")	45' - 2" (542")
46'	8FT STR + (4) 8FT INT + 5FT FILLER	45' - 0" (540")	46' - 2" (554")
47'	8FT STR + (4) 8FT INT + 6FT FILLER	46' - 0" (552")	47' - 2" (566")
48'	8FT STR + (4) 8FT INT + 7FT FILLER	47' - 0" (564")	48' - 2" (578")
49'	4FT STR + (5) 8FT INT + 4FT FILLER	48' - 0" (576")	49' - 2" (590")
50'	4FT STR + (5) 8FT INT + 5FT FILLER	49' - 0" (588")	50' - 2" (602")

**WARNING:** Ground fixture in accordance with local and national electrical codes. Failure to do so may result in serious personal injury. Fixture Installations should ONLY be done by a qualified licensed electrical professional.



## INSTALLATION INSTRUCTIONS

### X9 (T-BAR)

**1)** Measure & mark bottom of ceiling to bottom of wall rail (Install for full fixture length).

**X =**  
 FLSH = 5 1/4"  
 REG.5 / LVR FLSH = 5 3/4"  
 REG1 / LVR1 (1/2" Regress) = 6 1/4"  
 REG3 / LVR3 = 8 1/4"

**X9**

**2a)**

Field trim the last rail.  
 If Wall-to-Wall, leave 5/8" gap between rail and wall for 1/4-20 bolts to be inserted.

**2b)** Drill Mounting holes on wall rail and secure to structure using appropriate screws (by others).

**3) PERIMETER RAIL EXTRUSION**  
 Slots in rail are aperture specific. Please make sure to select the correct slot based on product being installed.

Insert 1/4-20 bolts into wall rail (2x per fixture).  
 3" = BPRO 2 & 3  
 3 1/2" = BPRO 4 & 5

**4)**

- Complete rough electrical.
- Install ceiling.
- Cut Rough-in holes.

**6)** Remove cardboard inserts and reflectors. Leave LED assembly in place.

Cardboard Insert

Reflector

**7)** If XSR, install **CORRECT** rubber bumpers (2x per fixture wall side).

**UNTHREADED BUMPERS**  
 3/16" for NON-LOUVER Fixtures  
 3/8" for LOUVER Fixtures

**WARNING:** Ground fixture in accordance with local and national electrical codes. Failure to do so may result in serious personal injury. Fixture Installations should ONLY be done by a qualified licensed electrical professional.



## INSTALLATION INSTRUCTIONS

### X9 (T-BAR)

**8)** Punch out correct mounting knockouts on wall side (for 1/4-20 bolts).  
SEE BOLT LOCATIONS FOR DETAILS (PAGES 5-6)

**9)** Wire power to access plate. If provided, snap Insulation Detector (ID) into place.

**WIRING:**

0-10V (+): PURPLE	0-10V (-): PINK
DALI (+): PURPLE	DALI (-): PINK
EcoSystem DALI (+): PURPLE	EcoSystem DALI (-): PINK
HOT: BLACK	
NEUTRAL: WHITE	
GROUND: GREEN	
CONSTANT HOT (EM): RED	

**10)** Install fixture from below.

**11)** Attach washer and 1/4-20 lock nuts to bolts on inside of fixture and **TIGHTEN UNTIL LEVEL.**

**12)** For rows install next fixture in row by first repeating steps 6-11. Join fixture to previous fixture using 1/4-20 phillips head bolts and 1/4-20 KEPS nuts.  
If last fixture is filler, see filler instructions (pages 11-12).

**BPRO2: 1x BOLT**

Install Bolt & Nut to both sides until snug

**13)**

- 1. REMOVE LED ASSEMBLY**
- 2. ROTATE LED ASSEMBLY**
- 3. INSERT LED ASSEMBLY AGAINST STIFFENER**

**WARNING:** Ground fixture in accordance with local and national electrical codes. Failure to do so may result in serious personal injury. Fixture Installations should ONLY be done by a qualified licensed electrical professional.

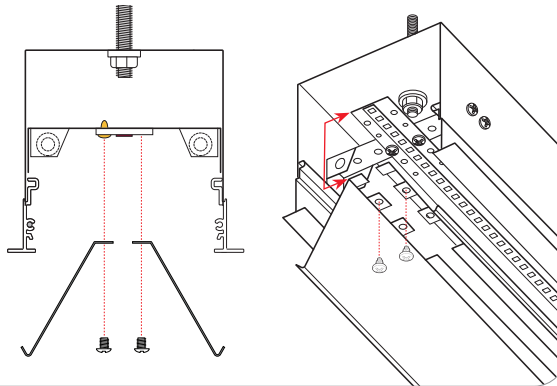
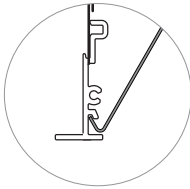


## INSTALLATION INSTRUCTIONS

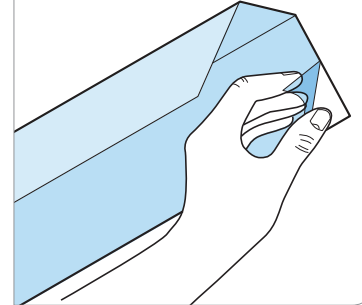
### X9 (T-BAR)

**14)** Install reflectors to fixture by attaching them to LED assembly using screws. Reflectors should be flush with end of LED assembly. Tuck wiring behind first installed reflector before installing the second.

Reflectors should be flush with end of LED assembly.



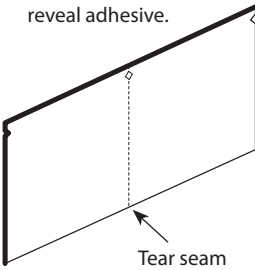
**15)** Peel blue protective covering off reflectors.



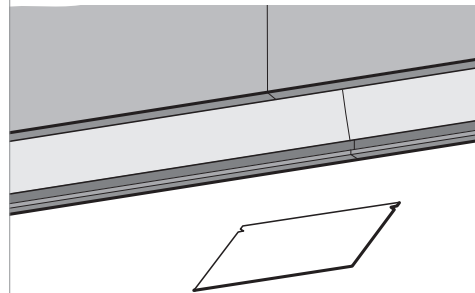
**16a)** Tear seam reflector at perforation. Peel film to reveal adhesive.

Peel back

Tear seam



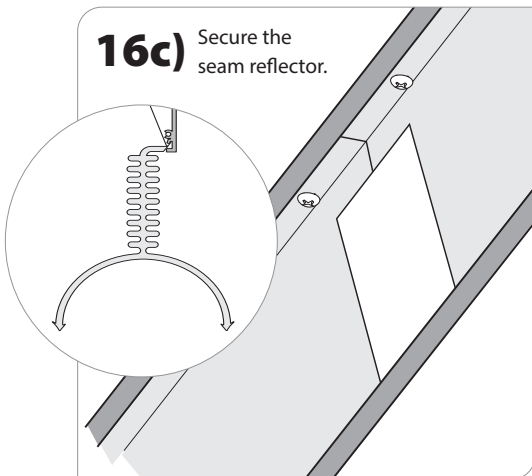
**16b)** Insert seam reflector under brake.



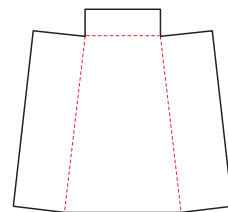
ADHESIVE SIDE

REFLECTIVE SIDE

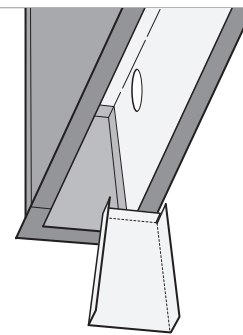
**16c)** Secure the seam reflector.



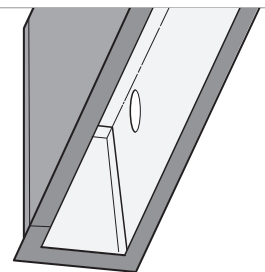
**17) OPTIONAL**  
Only for non-white painted fixtures.



**FOLD END REFLECTORS AT PERFORATIONS**



Align folded cap reflector with end cap interior.



Install end reflector so it covers the seam between the end cap and reflector.

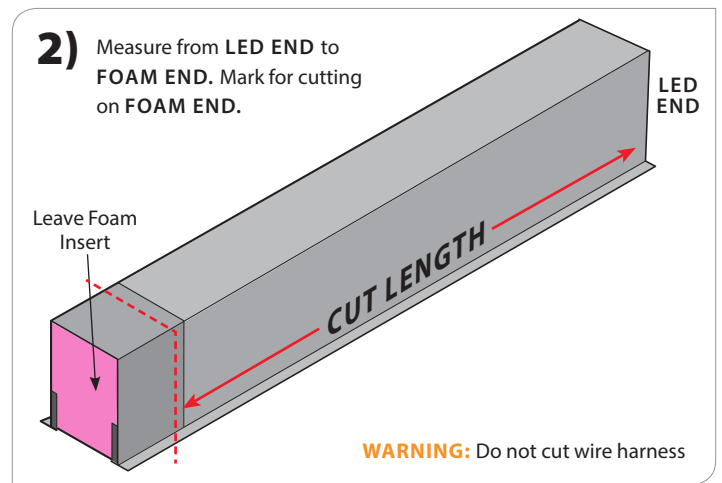
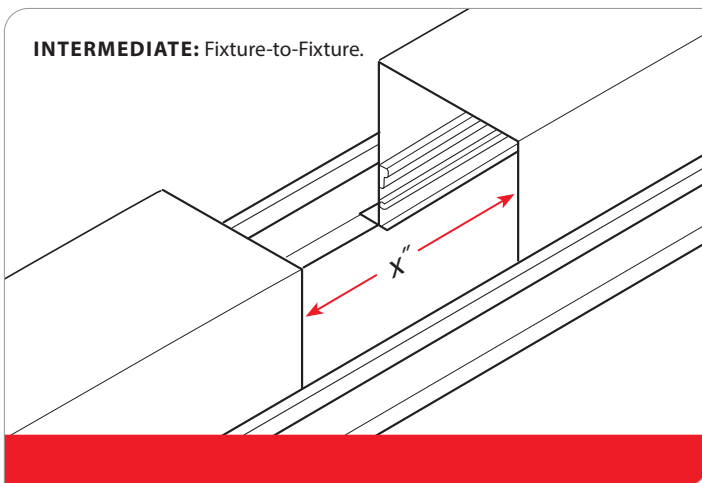
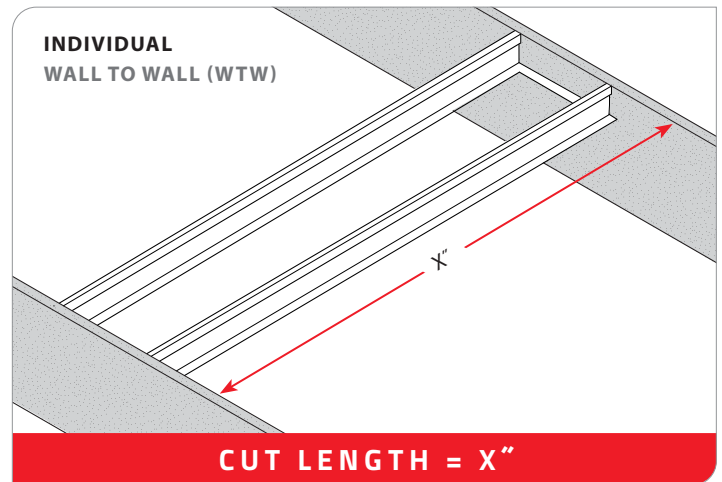
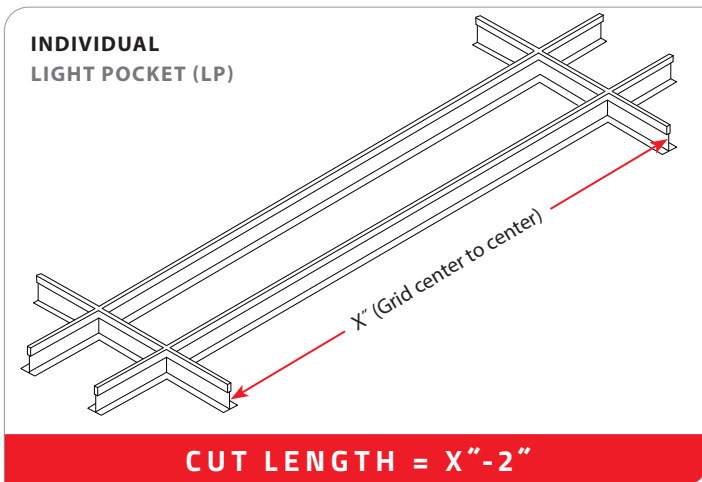
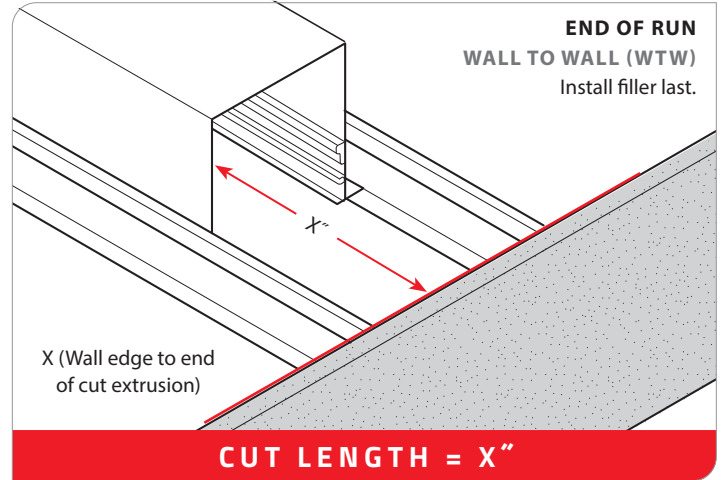
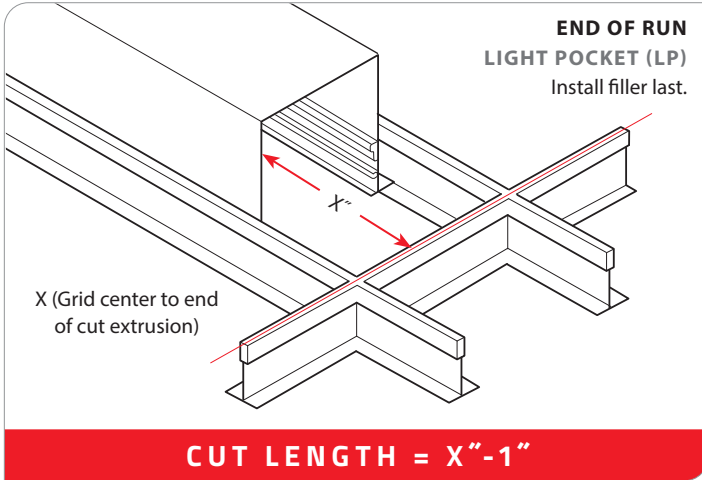
**WARNING:** Ground fixture in accordance with local and national electrical codes. Failure to do so may result in serious personal injury. Fixture Installations should ONLY be done by a qualified licensed electrical professional.



## INSTALLATION INSTRUCTIONS

### X9 (T-BAR)

**1)** Determine cut length of filler fixture.



**WARNING:** Ground fixture in accordance with local and national electrical codes. Failure to do so may result in serious personal injury. Fixture Installations should ONLY be done by a qualified licensed electrical professional.



## INSTALLATION INSTRUCTIONS

PRULITE.COM 213.746.0360

### X9 (T-BAR)

**3)** Cut foam insert side of fixture with chop saw (move screws if needed).  
**IF SCREW IS IN THE WAY, MOVE TO NEXT LOWEST COMPLETE HOLE PAIR**

Pan Head #6-32-3/16"

For **REGRESS 3** use Jigsaw.

**4)** Remove foam insert, install stiffener at first available holes.

#6-32 x 1/4" Flat Phillips Head Undercut Screw, Type F

**USE MIDDLE "ANGLED" HOLES**

BPRO2

**5a) END OF RUN:**  
Previous fixture to wall

#6-32 x 1/4" Flat Phillips Head Undercut Screw, Type F

Install Wall End Plate

**5b) END OF RUN:**  
Previous fixture to end of run

End Cap Counter Sink #6-32 x 3/4" Screw

Install Light Pocket Diecast End

**5c) INDIVIDUAL:**  
Wall to Wall

Install (2) Wall End Plates

#6-32 x 1/4" Flat Phillips Head Undercut Screw, Type F

**5d) INDIVIDUAL:**  
Ceiling Opening

End Cap Counter Sink #6-32 x 3/4" Screw

Install (2) Light Pocket End Caps

**5e) INTERMEDIATE:**

Install Taper Pins

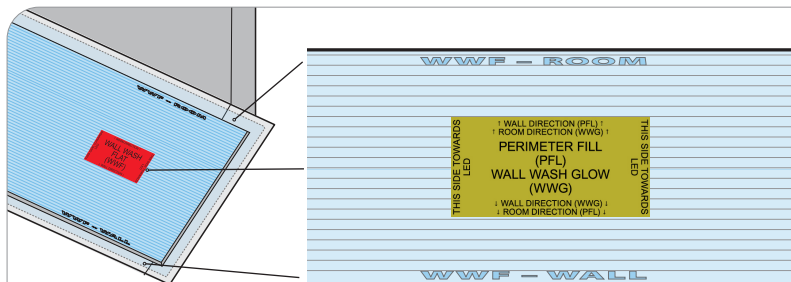
**6)** Pull telescoping LED reflector to end of fixture.

**7)** Return to step 13, page 9.

**WARNING:** Ground fixture in accordance with local and national electrical codes. Failure to do so may result in serious personal injury. Fixture Installations should ONLY be done by a qualified licensed electrical professional.



**⚠ ENERGIZE ROWS TO ENSURE ALL LEDS ARE WORKING BEFORE INSTALL**    **👤 LENS REQUIRES TWO PEOPLE TO INSTALL**



### LENS ORIENTATION

**SAL** – Satin lens has both sides the same, reversible, no orientation

**BTW** – Batwing shiny side UP, matte frosted side DOWN.

**MGZ/WWF/WWG/PFL** – Wall Wash and Perimeter lenses, ribbed side UP (they can be seen and felt).

NOTE: WWG and PFL are the same with opposite orientation

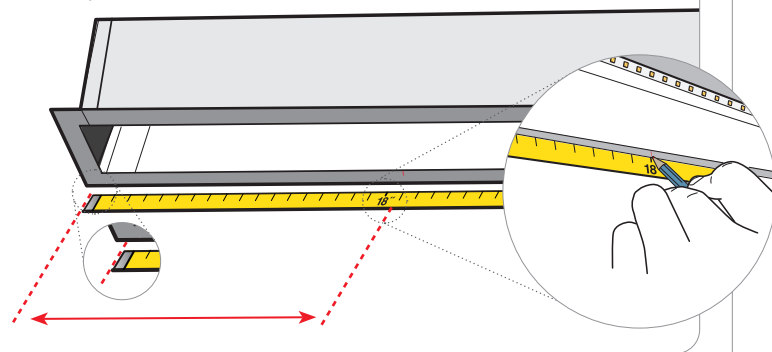
**Stickers** indicate **WALL** and **ROOM** sides, but the lens also has engraving indicating each as shown.

**RECOMMENDED:** Start lens installation from **LEFT** to **RIGHT**.

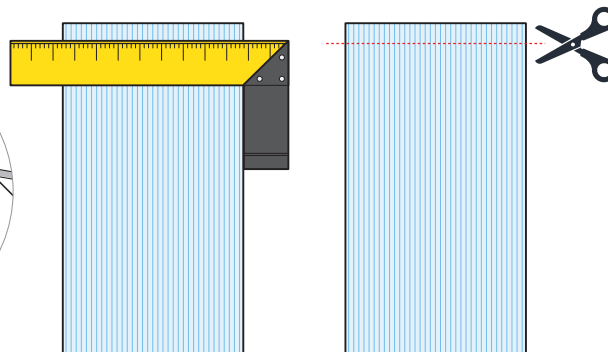


## LENS INSTALLATION — IF ALL FIXTURES ARE ALREADY INSTALLED

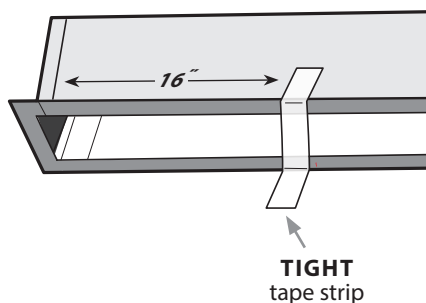
**1)** Measure 18" from end cap. Using a pencil, place a small mark on the fixture.



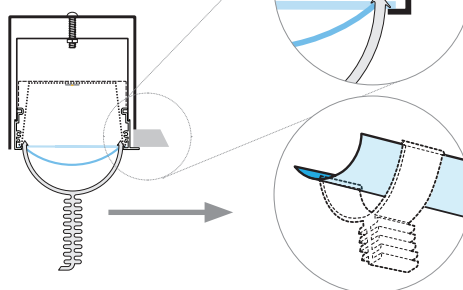
**2)** Make sure lens is square.



**3)** Install tape strip **TIGHTLY** approximately 16" from start.

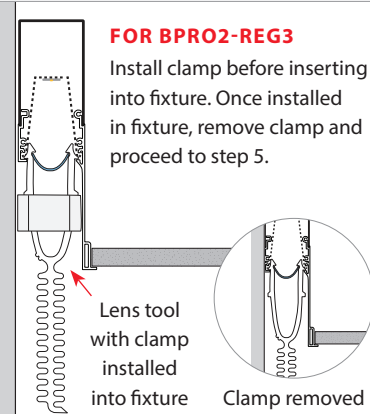


**4)** Insert lens into lens tool, then place just before **TIGHT** tape strip.



### FOR BPRO2-REG3

Install clamp before inserting into fixture. Once installed in fixture, remove clamp and proceed to step 5.



**WARNING:** Ground fixture in accordance with local and national electrical codes. Failure to do so may result in serious personal injury. Fixture Installations should ONLY be done by a qualified licensed electrical professional.



## INSTALLATION INSTRUCTIONS

**5)** Install **LOOSE** tape strip about 12" from start to hold lens parallel to fixture (easier to pull).

**6)** Pull lens through channel with fingers or non-marring pliers.

**NOTE:** Hold lens roll near ceiling, close to horizontal with fixture.

**7)** Use tape strip to pull lens into end cap.

**END OF ROW**

**8)** Make sure lens is tucked inside end cap.

**END OF ROW**

**9)** At start of fixture, remove tape strips and as a rough cut trim lens 1" past end cap.

**⚠ MAKE SURE LENS IS TUCKED INTO END CAP AT END OF ROW AS SHOWN IN STEP 8**

**10)** Mark lens with pencil where you made the mark 18" from start of row inside fixture.

**⚠ MAKE SURE LENS IS TUCKED INTO END CAP AT END OF ROW AS SHOWN IN STEP 8**

**11)** Measure 18 1/16" from mark on lens to near end of lens. Mark and trim lens.

**12)** Slide lens tool end cap to insert remaining lens, using other end of tool or fingers to insert at end cap.

**WARNING:** Ground fixture in accordance with local and national electrical codes. Failure to do so may result in serious personal injury. Fixture Installations should **ONLY** be done by a qualified licensed electrical professional.



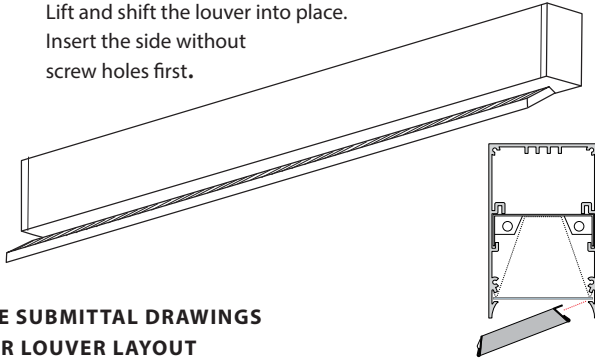
## INSTALLATION INSTRUCTIONS

### X9 (T-BAR)

#### LOUVERS

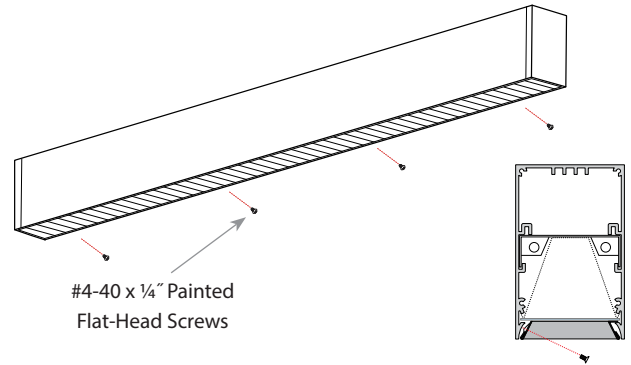
#### 1) INSTALL LENS FIRST (SEE PAGE 13).

Match the louver holes with the body holes. Lift and shift the louver into place. Insert the side without screw holes first.



SEE SUBMITTAL DRAWINGS FOR LOUVER LAYOUT

#### 2) Hold louver in place and install with included screws.



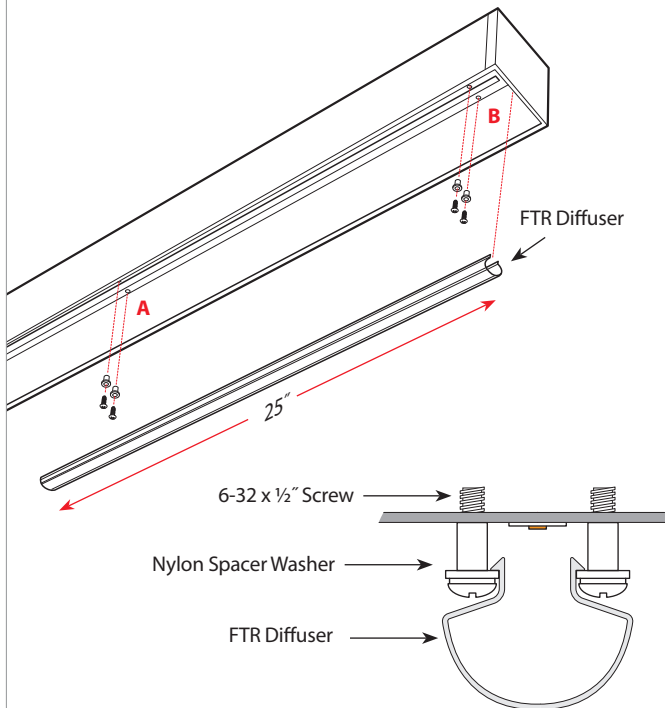
#4-40 x 1/4" Painted Flat-Head Screws

#### FTR (FEATHERING DIFFUSER) DETAIL

##### STANDARD FIXTURES

Before installing lens, replace the 1/4" screws at locations **A** and **B** with 1/2" screws, placing the provided spacer under the screws as shown.

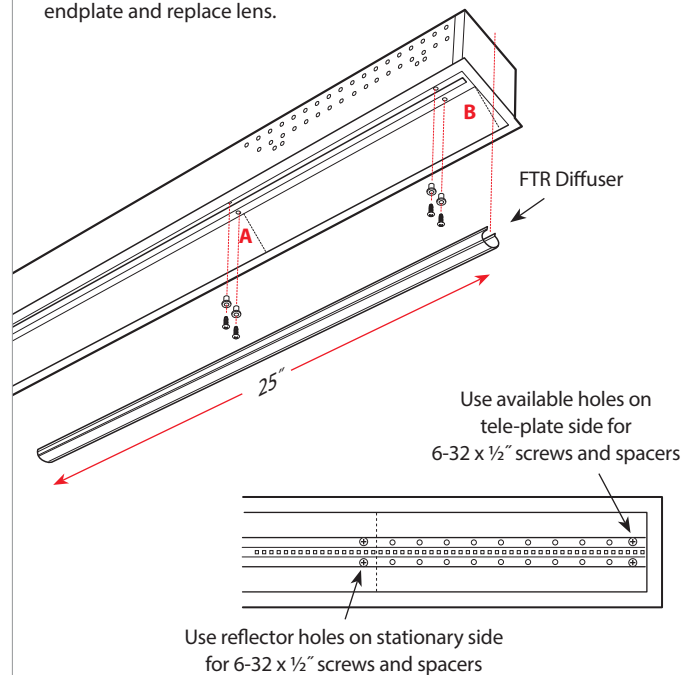
With screws and spacers installed, snap the FTR Diffuser over the LEDs at locations **A** and **B**, making sure that the hooks in the diffuser catch on the lip of the spacers. Push the FTR diffuser against the fixture endplate and install lens.



##### FILLER FIXTURES

After cutting the filler body to the desired length, at location **A**, replace the 1/4" screws with 1/2" screws, placing the provided spacer under the screws as shown. At location **B**, use available holes in tele-plate to attach screws and spacers.

With screws and spacers installed, snap the FTR Diffuser over the LEDs at locations **A** and **B**, making sure that the hooks in the diffuser catch on the lip of the spacers. Push the FTR diffuser against the fixture endplate and replace lens.



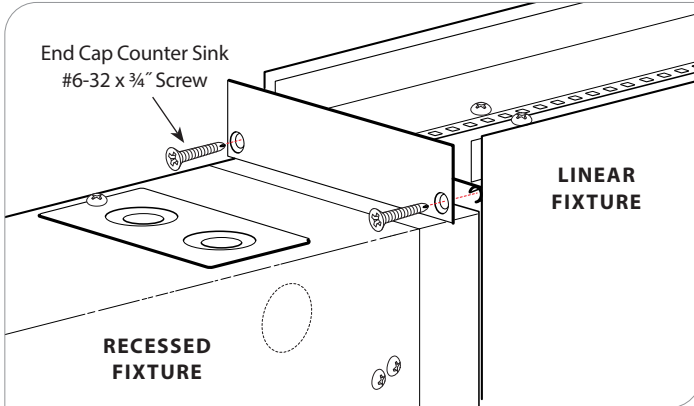
**WARNING:** Ground fixture in accordance with local and national electrical codes. Failure to do so may result in serious personal injury. Fixture Installations should ONLY be done by a qualified licensed electrical professional.



## INSTALLATION INSTRUCTIONS

### X9 (T-BAR)

#### LRT (LINEAR TO RECESSED) DETAIL

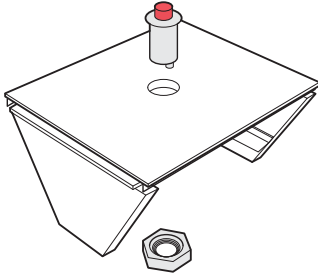


**WARNING:** Ground fixture in accordance with local and national electrical codes. Failure to do so may result in serious personal injury  
Fixture Installations should ONLY be done by a qualified licensed electrical professional..

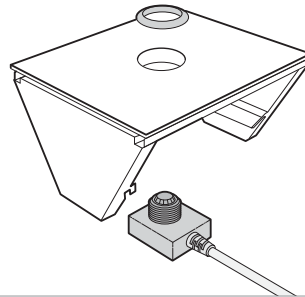


## INSTALLATION INSTRUCTIONS

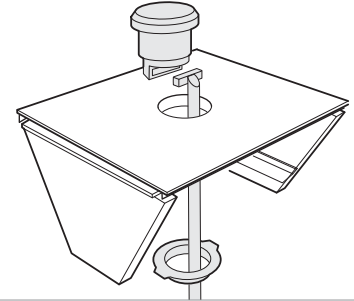
Emergency Light/Test Switch



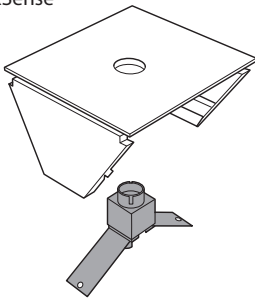
Wattstopper FS-205



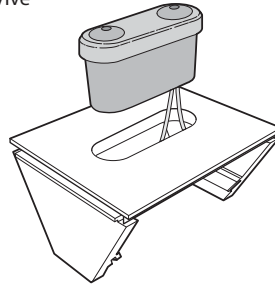
Enlighted



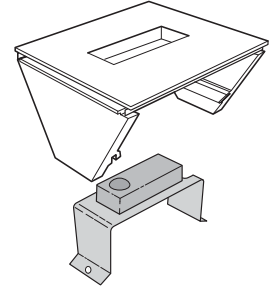
Phillips LuxSense



Lutron Vive



Hubbell NXSMP-SMI



**SENSORS NA REG3. TILE MOUNT (BY OTHERS).**

**WARNING:** Ground fixture in accordance with local and national electrical codes. Failure to do so may result in serious personal injury. Fixture Installations should ONLY be done by a qualified licensed electrical professional..



Prudential Ltg. reserves the right to change design specifications or materials without notice. Please visit [prulite.com](http://prulite.com) for most current data.  
© 2025 All rights reserved—All products manufactured at: Prudential Ltg. 1774 E. 21<sup>st</sup> Street, Los Angeles, CA 90058

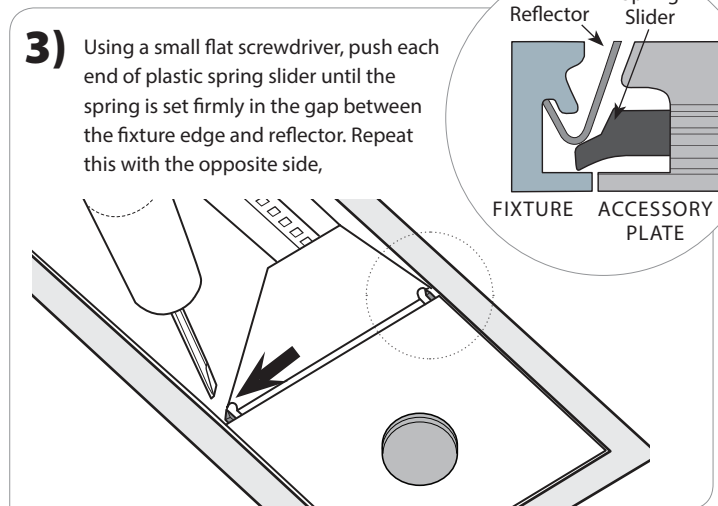
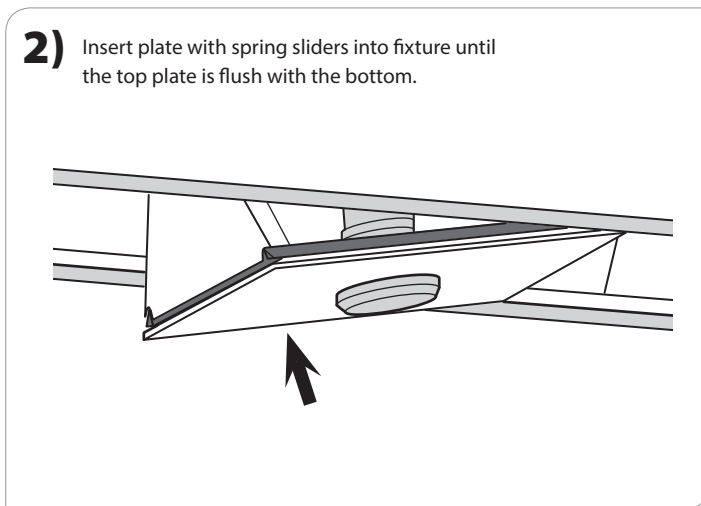
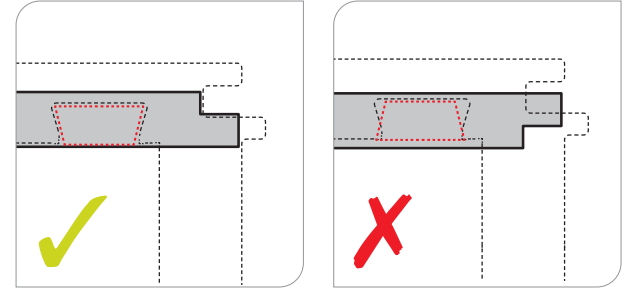
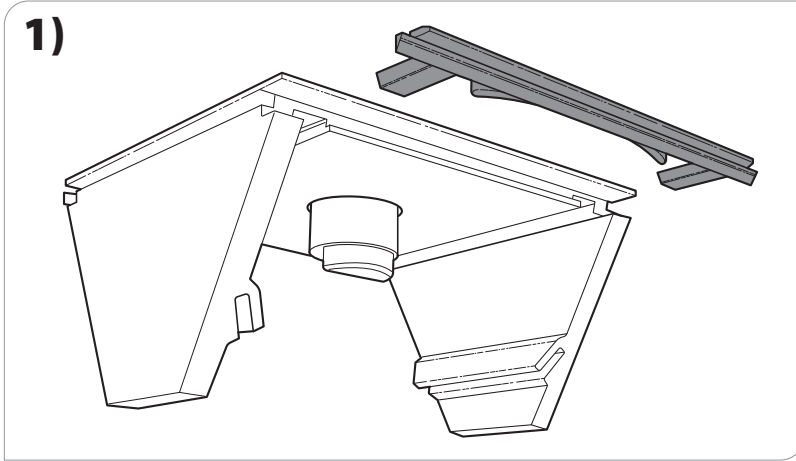


## INSTALLATION INSTRUCTIONS

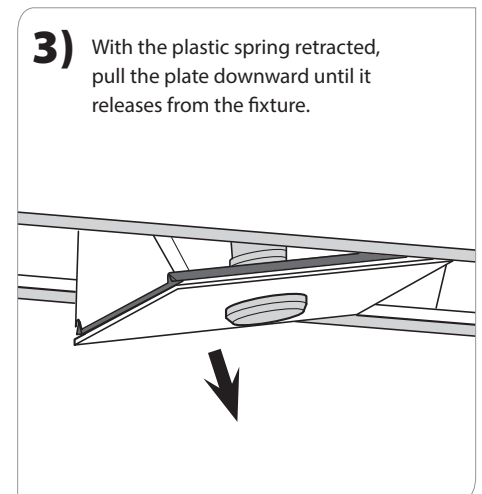
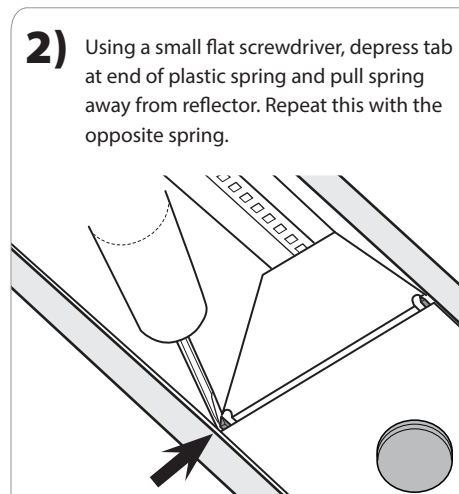
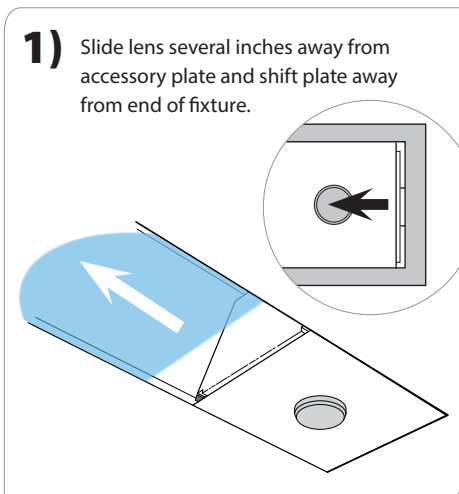
### ACCESSORY PLATE ASSEMBLY

Insert slider spring tabs into dovetail slots in the bottom of plate

Spring tabs must be oriented to match dovetails in plate



### ACCESSORY PLATE REMOVAL



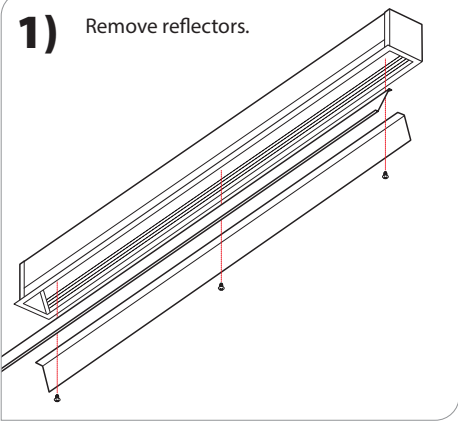
**WARNING:** Ground fixture in accordance with local and national electrical codes. Failure to do so may result in serious personal injury. Fixture Installations should ONLY be done by a qualified licensed electrical professional.

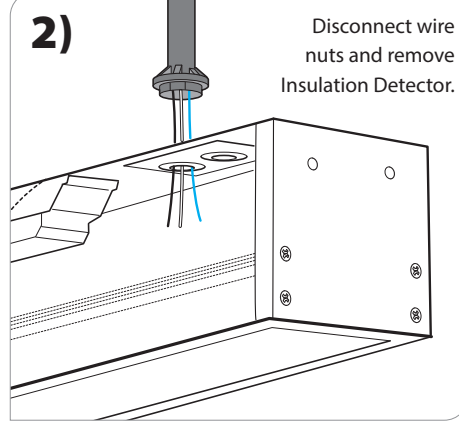


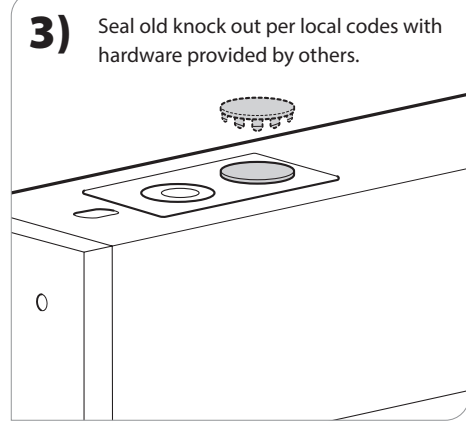
## INSTALLATION INSTRUCTIONS

### OPTIONAL: RELOCATE INSULATION DETECTOR FOR END CAP MOUNT

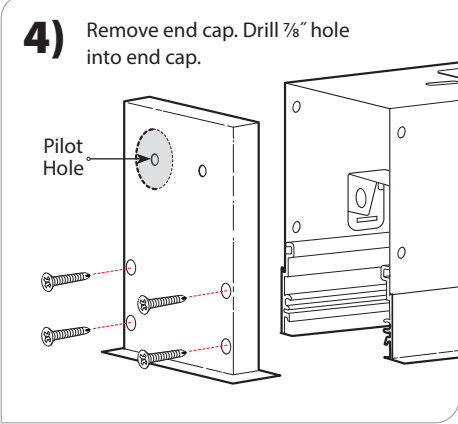
- 1)** Remove reflectors.

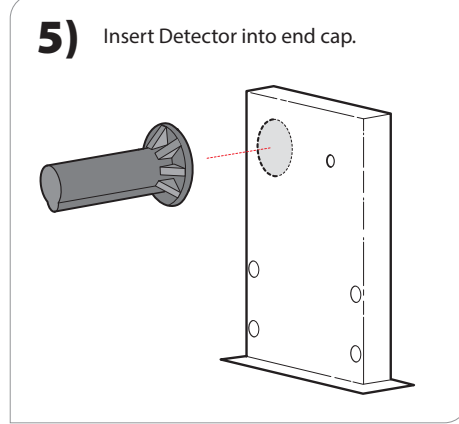

- 2)** Disconnect wire nuts and remove Insulation Detector.

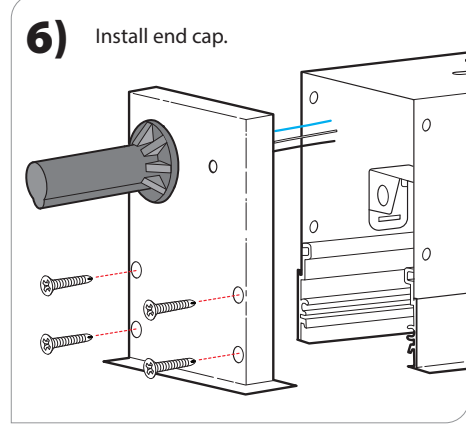

- 3)** Seal old knock out per local codes with hardware provided by others.

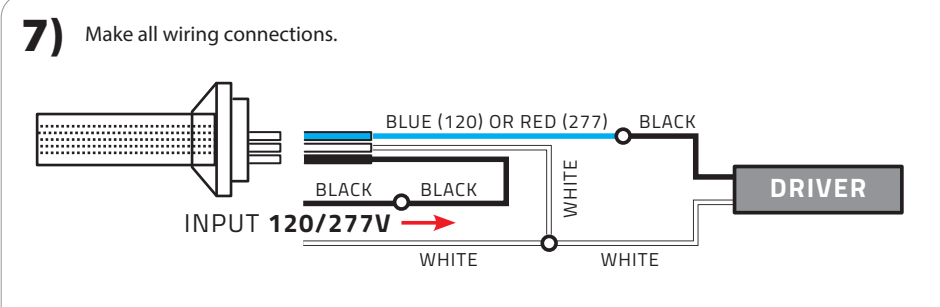

- 4)** Remove end cap. Drill  $\frac{7}{8}$ " hole into end cap.

Pilot Hole


- 5)** Insert Detector into end cap.


- 6)** Install end cap.


- 7)** Make all wiring connections.

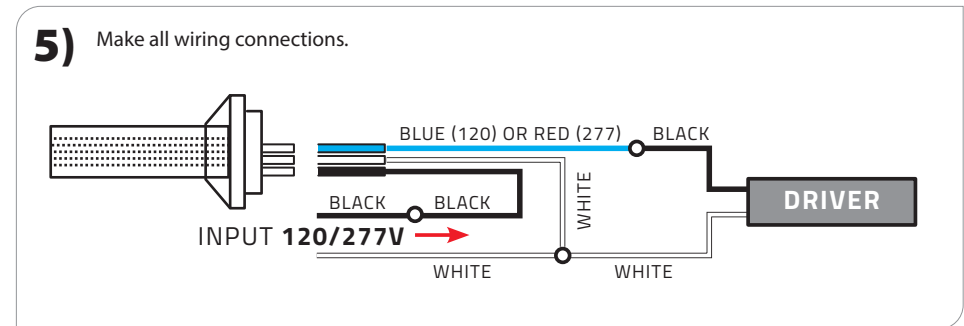
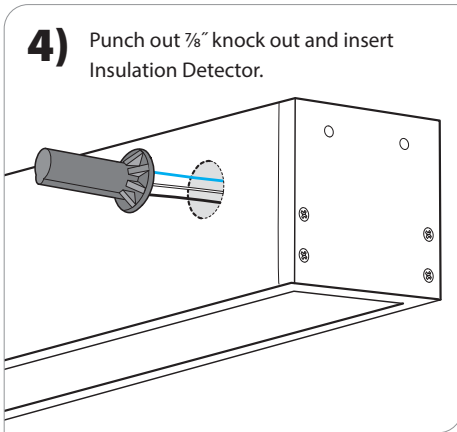
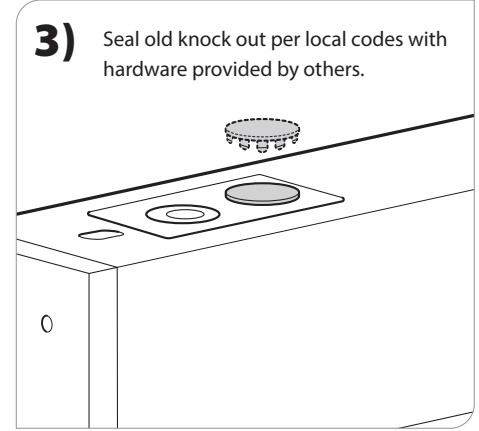
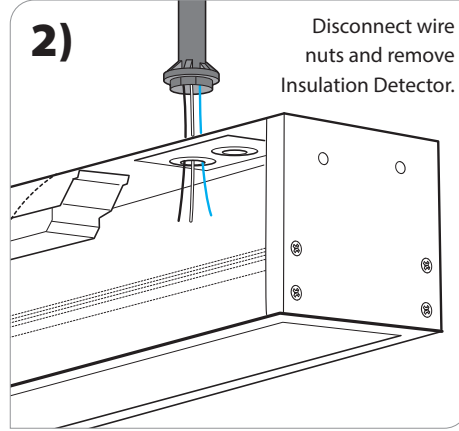
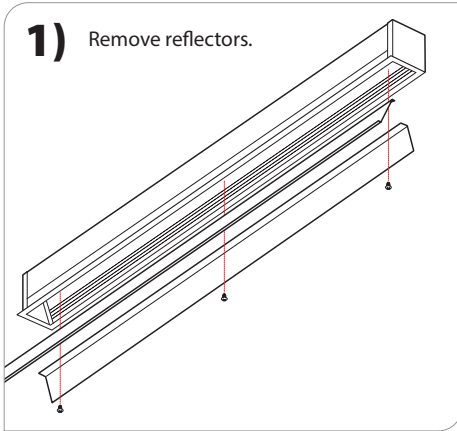

- 8)** Replace reflectors.

**WARNING:** Ground fixture in accordance with local and national electrical codes. Failure to do so may result in serious personal injury. Fixture Installations should ONLY be done by a qualified licensed electrical professional.



## INSTALLATION INSTRUCTIONS

### OPTIONAL: RELOCATE INSULATION DETECTOR FOR SIDE MOUNT



**WARNING:** Ground fixture in accordance with local and national electrical codes. Failure to do so may result in serious personal injury. Fixture Installations should ONLY be done by a qualified licensed electrical professional.