

Gaze | Round & Square

SSC Stem Mount

INSTALLATION INSTRUCTIONS

X1 — T-BAR — ON-GRID



PRUDENTIAL LTG.

PRULITE.COM 213.746.0360

PART	PART NO.	DESCRIPTION	QTY
CANOPY ASSEMBLY:			
	100-00025-29	Canopy Body	1
	100-00277-03	Canopy Cover	
	100-01163-10 BLACK	Flex Boot	
	100-01164-10 WHITE		
	100-00273-03	Canopy Yoke	
	100-00274-03	Canopy Center Block	
	100-00275-03	Canopy Stem Yoke	
	100-00120-07	Install Assist Hook	2
	169515	Gaze SSC X1 Adaptor Yoke	2
	169516	Gaze SSC X1 Adaptor Sub Plate	1
	100-00050-14	Screw 8-32 x 7/8 TH MS Phil	4
	100-00128-14	Screw 8-32 x 5/8 Flat Phil Type F	8
		3/8" IPS Threaded Stem (Stems ordered over 8' will be provided in two pieces connected by a coupler)	1
	100-00058-20	Stem Coupler	1
	100-00010-14	Hex Nut 8-32 Plated	4
	100-00068-14	Washer 1/4" Internal Tooth	4
	100-00141-14	Screw 8 x 1/4 Slotted SMS Type B	2
	100-00005-14	Screw 1/4-20 x 3/8 Round HD	2
	100-00255-14	Lock Washer 1/4-20 Keps	2

FIXTURE WEIGHTS:

	12"	18"	24"	36"	48"
ROUND LED	8lbs	17lbs	23lbs	44lbs	75lbs
SQUARE LED	9lbs	21lbs	28lbs	54lbs	100lbs

WARNING: Ground fixture in accordance with local and national electrical codes. Failure to do so may result in serious personal injury. Fixture installations should ONLY be done by a qualified licensed electrical professional.

Gaze | Round & Square SSC Stem Mount

INSTALLATION INSTRUCTIONS

X1 — T-BAR — ON-GRID

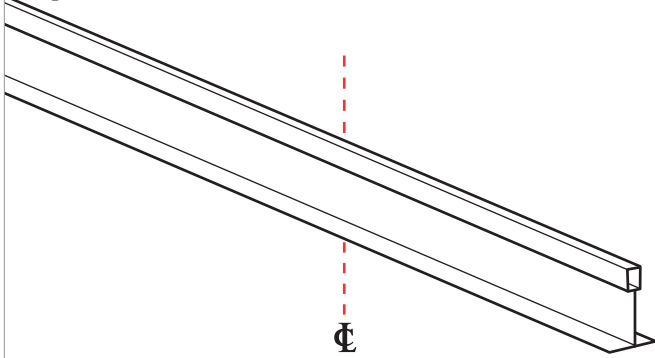


PRUDENTIAL LTG.

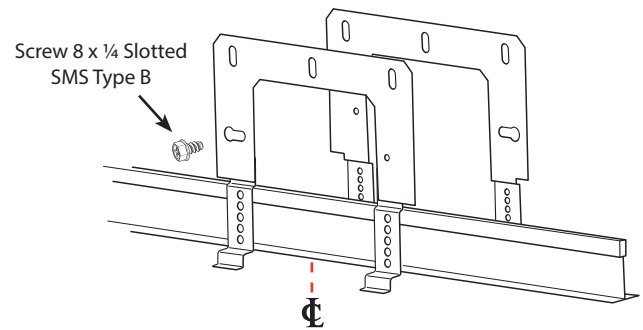
PRULITE.COM 213.746.0360

MAY REQUIRE TWO PEOPLE TO INSTALL

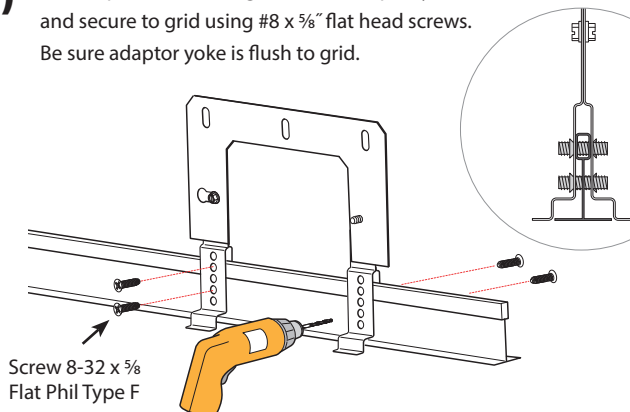
- 1)** Locate mounting point on t-bar and remove acoustic panels.



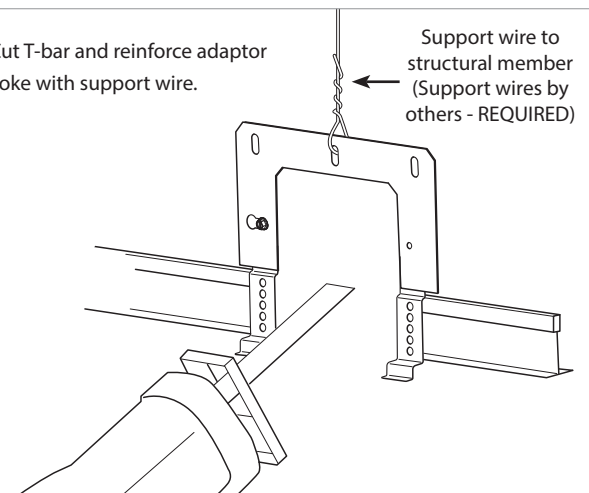
- 2)** Attach Adaptor Yoke brackets to T-bar using #8 x ¼ sheet metal screws. Light fixture will be centered between legs of yoke bracket.



- 3)** Drill ⅛" pilot hole through holes in adaptor yoke brackets and secure to grid using #8 x ⅝" flat head screws. Be sure adaptor yoke is flush to grid.



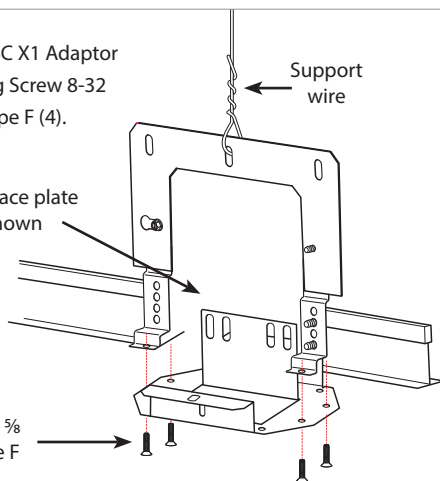
- 4)** Cut T-bar and reinforce adaptor yoke with support wire.



- 5)** Attach Gaze SSC X1 Adaptor Sub Plate using Screw 8-32 x ⅝ Flat Phil Type F (4).

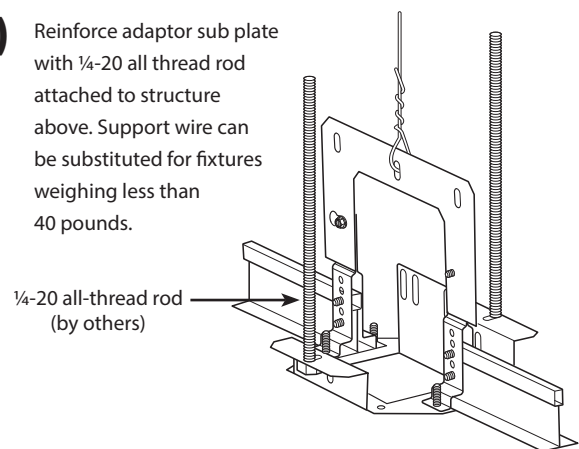
Be sure J-Box surface plate is formed up as shown

Screw 8-32 x ⅝ Flat Phil Type F



- 6)** Reinforce adaptor sub plate with ¼-20 all thread rod attached to structure above. Support wire can be substituted for fixtures weighing less than 40 pounds.

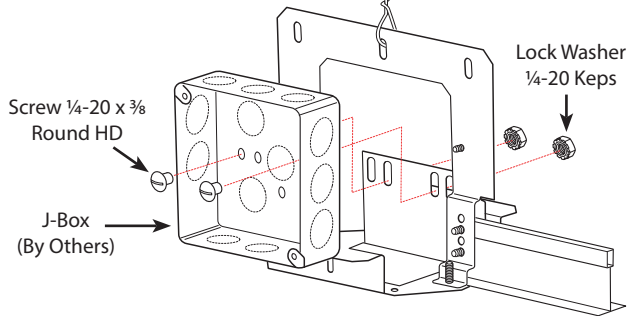
¼-20 all-thread rod (by others)



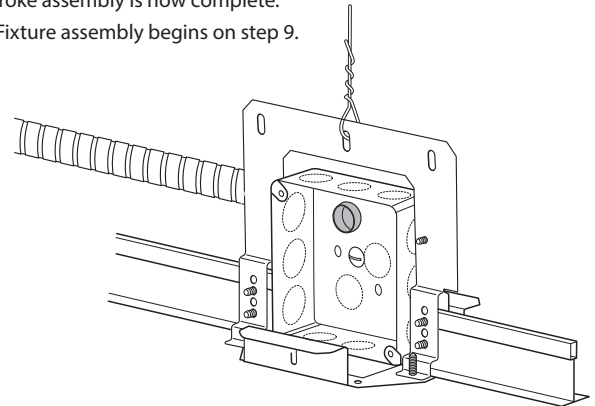
WARNING: Ground fixture in accordance with local and national electrical codes. Failure to do so may result in serious personal injury. Fixture installations should ONLY be done by a qualified licensed electrical professional.



- 7)** Assemble J-Box to adaptor Sub Plate using ¼-20 screws and nuts. Connect building wiring to J-Box.

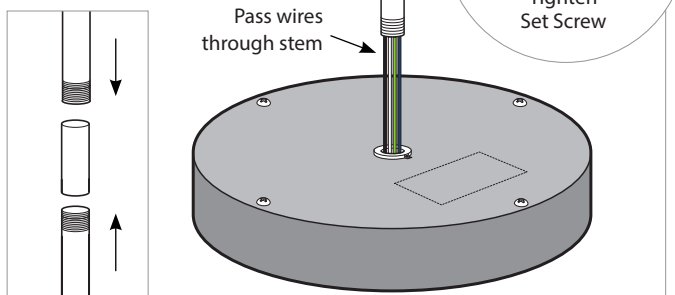


- 8)** Yoke assembly is now complete. Fixture assembly begins on step 9.

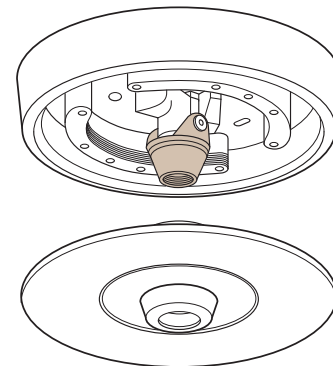


- 9)** Assemble Stem to fixture.

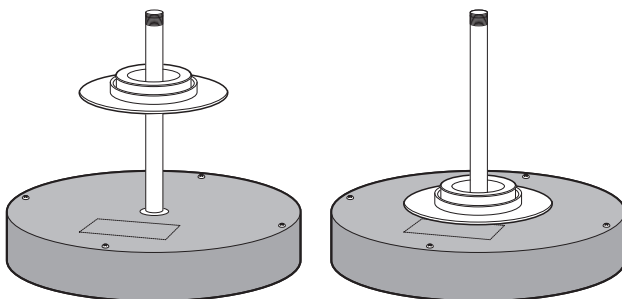
If total stem is longer than 8' join stems together with coupler provided.



- 10)** Remove Canopy Cover & Silicone Boot from Canopy.



- 11)** Place 'Canopy Cover' over stem and rest on top of fixture.



- 12)** Attach Canopy to Stem.

Pass wires through Canopy.
Screw on completely until tight.

WARNING: Ground fixture in accordance with local and national electrical codes. Failure to do so may result in serious personal injury. Fixture Installations should ONLY be done by a qualified licensed electrical professional.

Gaze | Round & Square

SSC Stem Mount

INSTALLATION INSTRUCTIONS

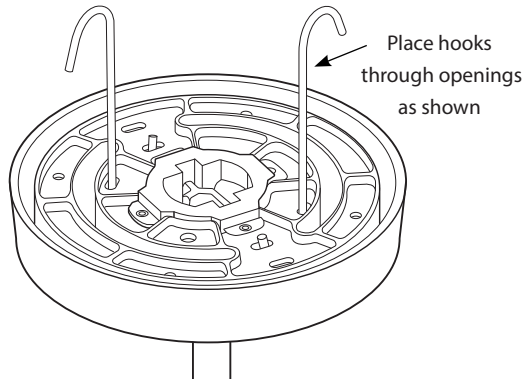
X1 — T-BAR — ON-GRID



PRUDENTIAL LTG.

PRULITE.COM 213.746.0360

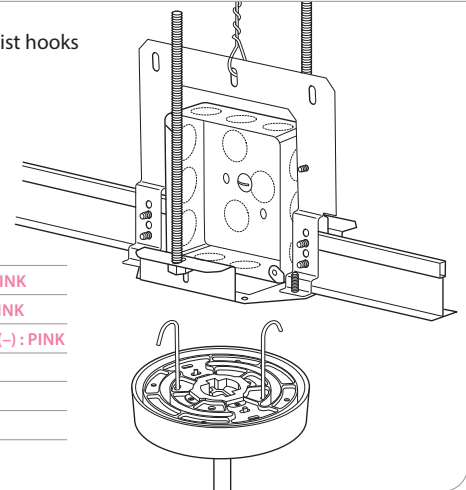
13) Insert installation hooks.



14) Hang fixture using install assist hooks & perform wire makeups.

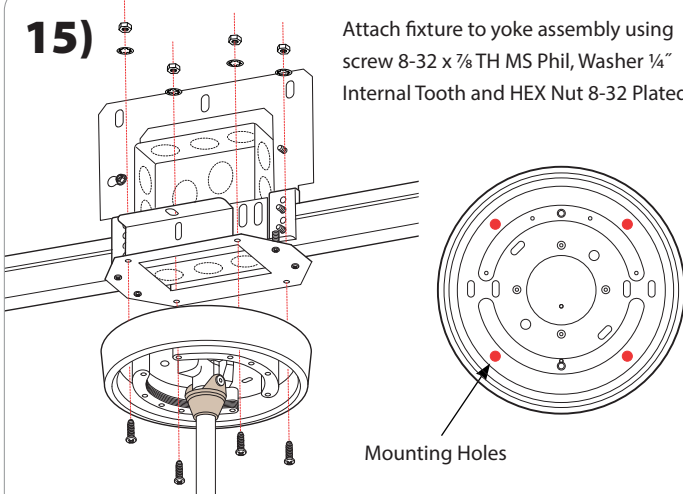
WIRING:

0-10V (+) : PURPLE	0-10V (-) : PINK
DALI (+) : PURPLE	DALI (-) : PINK
EcoSystem DALI (+) : PURPLE	EcoSystem DALI (-) : PINK
HOT : BLACK	
NEUTRAL : WHITE	
GROUND : GREEN	
CONSTANT HOT (EM) : RED	



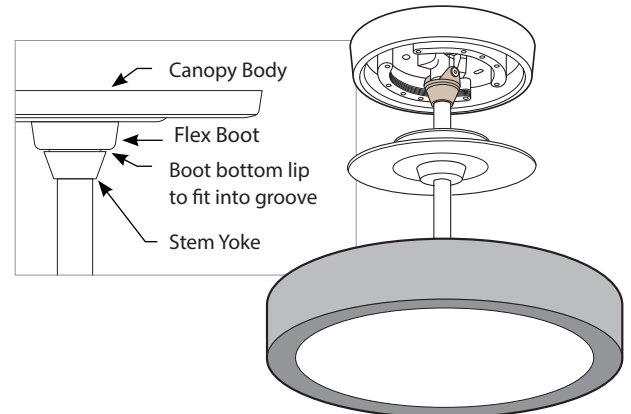
15)

Attach fixture to yoke assembly using screw 8-32 x 7/8 TH MS Phil, Washer 1/4" Internal Tooth and HEX Nut 8-32 Plated.



16)

Set Flex Boot in place and screw on canopy.



WARNING: Ground fixture in accordance with local and national electrical codes. Failure to do so may result in serious personal injury. Fixture Installations should ONLY be done by a qualified licensed electrical professional.