



Gaze | Round & Square

SSC Stem Mount


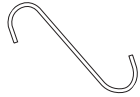
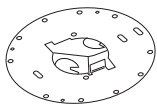



INSTALLATION INSTRUCTIONS



PRUDENTIAL LTG.

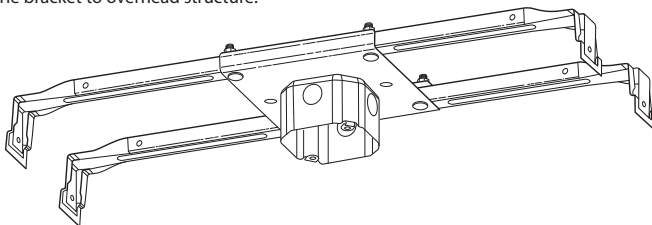
PRULITE.COM 213.746.0360

X1 — T-BAR — OFF-GRID / X3 — HARD CEILING

PART	PART NO.	DESCRIPTION	QTY
CANOPY ASSEMBLY:			
	100-00025-29	Canopy Body	1
	100-00277-03	Canopy Cover	
	100-01163-10	BLACK Flex Boot	
	100-01164-10	WHITE Flex Boot	
	100-00273-03	Canopy Yoke	
	100-00274-03	Canopy Center Block	
	100-00275-03	Canopy Stem Yoke	
	100-00120-07	Install Assist Hook	2
	169332	Installation Sub Plate	1
	100-00134-14	#10 x 3/4" Screw	4
		3/8" IPS Threaded Stem (Stems ordered over 8' will be provided in two pieces connected by a coupler)	1
	100-00058-20	Stem Coupler	1

CADDY FAN-FIXTURE ASSEMBLY FOR T-BAR CEILING (BY OTHERS):

Use appropriate bracket for weights shown on this page. Tie bracket to overhead structure.



FIXTURE WEIGHTS:

	12"	18"	24"	36"	48"
ROUND LED	8lbs	17lbs	23lbs	44lbs	75lbs
SQUARE LED	9lbs	21lbs	28lbs	54lbs	100lbs





Gaze | Round & Square

SSC Stem Mount

INSTALLATION INSTRUCTIONS



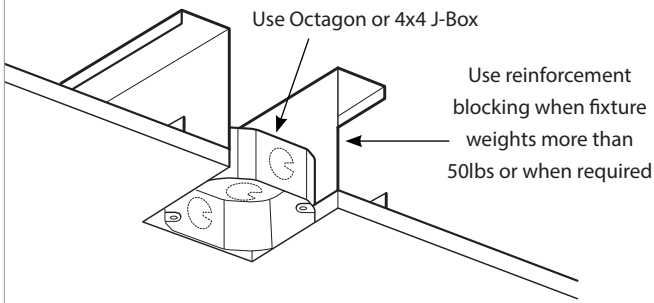
PRUDENTIAL LTG.

PRULITE.COM 213.746.0360

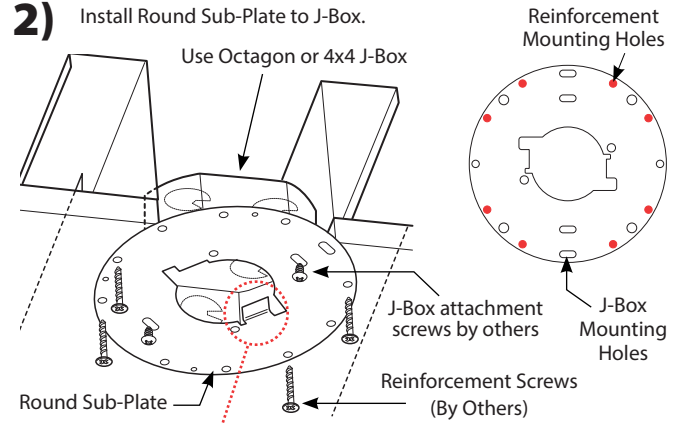
X1 — T-BAR — OFF-GRID / X3 — HARD CEILING

MAY REQUIRE TWO PEOPLE TO INSTALL

1) Check Ceiling Condition.



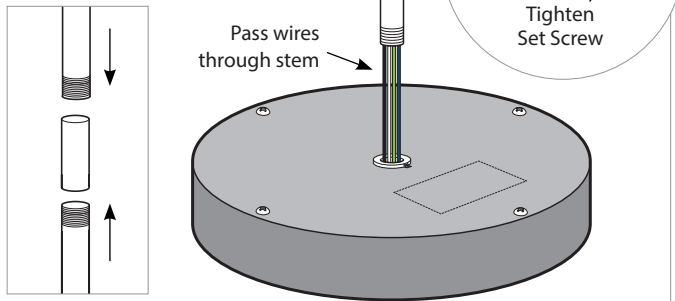
2) Install Round Sub-Plate to J-Box.



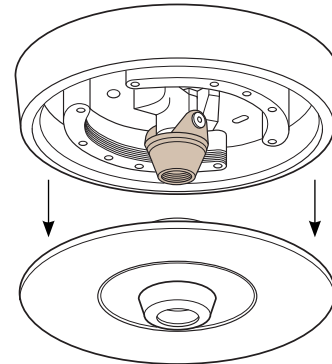
BE SURE TABS ARE POINTING UP

3) Assemble Stem to fixture.

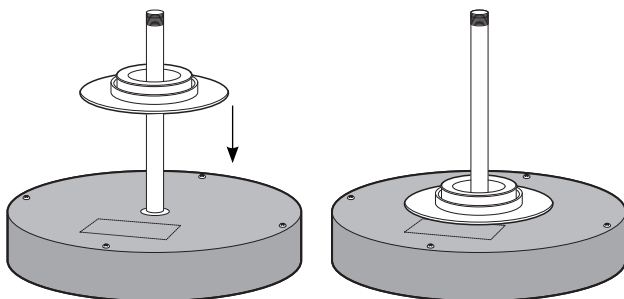
If total stem is longer than 8' join stems together with coupler provided.



4) Remove Canopy Cover & Silicone Boot from Canopy.

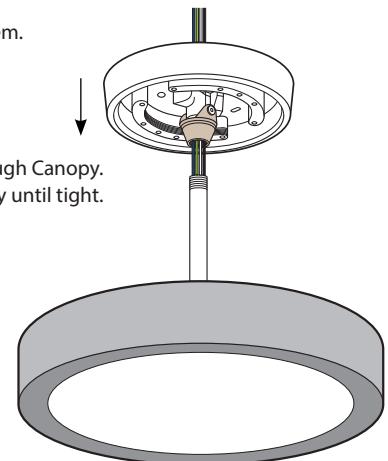


5) Place 'Canopy Cover' over stem and rest on top of fixture.



6) Attach Canopy to Stem.

Pass wires through Canopy. Screw on completely until tight.





Gaze | Round & Square

SSC Stem Mount

INSTALLATION INSTRUCTIONS

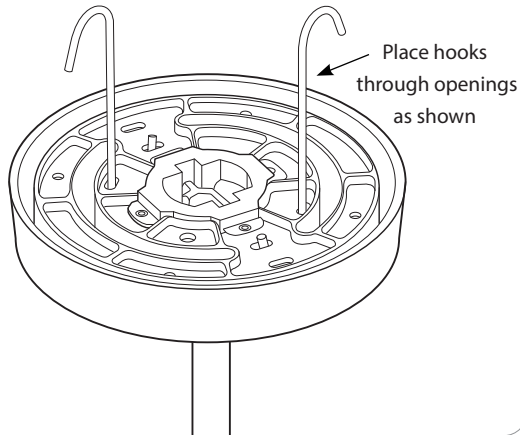


PRUDENTIAL LTG.

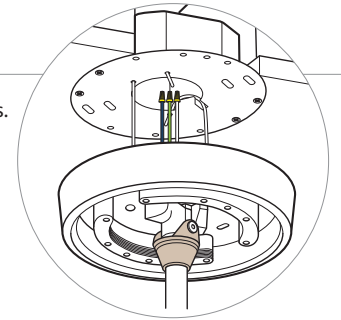
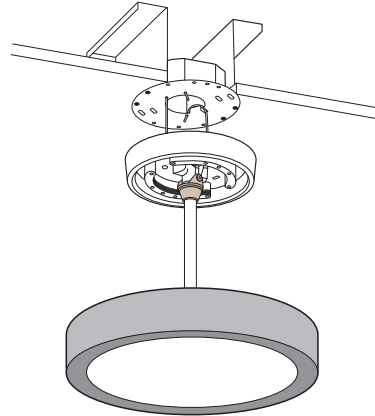
PRULITE.COM 213.746.0360

X1 — T-BAR — OFF-GRID / X3 — HARD CEILING

7) Insert installation hooks.



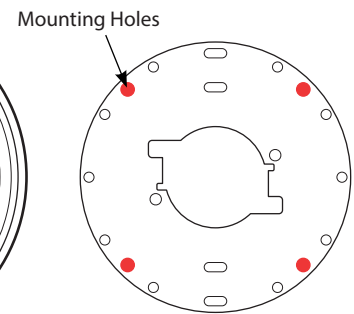
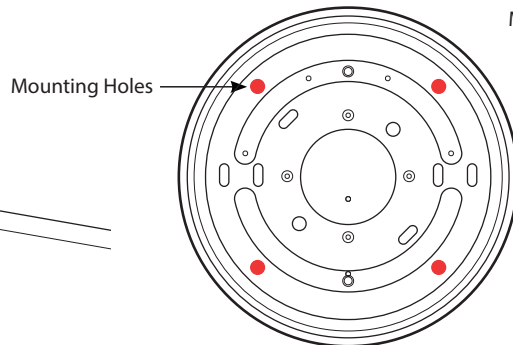
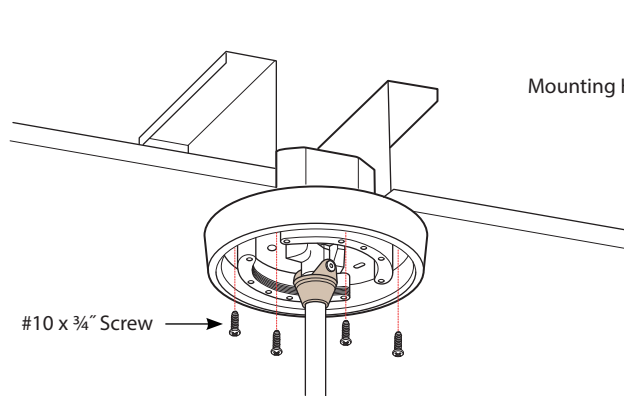
8) Hang fixture from hooks & perform wire makeups.



WIRING:

0-10V (+) : PURPLE	0-10V (-) : GREY
DALI (+) : PURPLE	DALI (-) : GREY
EcoSystem DALI (+) : PURPLE	EcoSystem DALI (-) : GREY
HOT : BLACK	
NEUTRAL : WHITE	
GROUND : GREEN	
CONSTANT HOT (EM) : RED	

9) Remove hooks and attach fixture to ceiling.



10) Set Flex Boot in place and screw on canopy.

