

# Gaze | Round & Square

## RPM & SPM Pendant Mount

### INSTALLATION INSTRUCTIONS





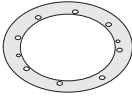












### X1 — T-BAR — ON-GRID




PRUDENTIAL LTG.

PRULITE.COM 213.746.0360

**👤👤 MAY REQUIRE TWO PEOPLE TO INSTALL**

PART	PART NO.	DESCRIPTION	
<b>CANOPY BODIES:</b>			
	100-00071-03	Round	
	100-00072-03	Square	
<b>CANOPY COVERS:</b>			
	105760	Single Feed	
	105892	Dual Feed	
	105597	Support Ring	
	100-00183-10	Insulation Ring	
	100-00144-09	Romex Clamp — NPT 1/2"	
	105717	Romex Clamp Bracket — NPT 1/2"	
	100-00145-09	Romex Clamp — NPT 3/4" (Dual Feed)	
	106029	Romex Clamp Bracket — NPT 3/4" (Dual Feed)	
<b>DUAL FEED BUSHINGS:</b>			
	100-00338-14	Black	
	100-00339-14	White	
	100-00010-14	Hex Nut 8-32 Plated	4
	100-00068-14	Washer 1/4" Internal Tooth	4
	100-00141-14	Screw 8 x 1/4 Slotted SMS Type B	2
	100-00005-14	Screw 1/4-20 x 3/8 Round HD	2
	100-00255-14	Lock Washer 1/4-20 Keps	2

PART	PART NO.	DESCRIPTION			
<b>POWER CORDS:</b>					
	100-00023-09	3-Wire			
	100-00024-09	4-Wire			
	100-00912-09	5-Wire			
	100-01002-09	6-Wire			
<b>SUPPORT CABLE: (CABLE GRIPPER WILL BE INSTALLED BY FACTORY)</b>					
	100-00563-09	48"			
	100-00564-09	96" 1/16" Galvanized Cable & 1/4" Ball Nut & Gripper			
	100-00565-09	144"			
	100-00449-09	Grounding Wire 7"			
	100-00187-14	#8-32 x 3/8" HHWSL <b>GREEN</b> Ground Screw			
	100-00047-14	#8-32 x 3/8" HWH SL Self-Tap Screws			
	100-00334-14	8 x #6-32 x 3/8" Phillips Pan Head, Type F Screw			
<b>PLASTIC STRAIN RELIEF:</b>					
	100-00228-14	WHITE			
	100-00309-14	BLACK			
	100-00346-14	WHITE			
	100-00308-14	BLACK			
		3/4 Wire			
		5/6 Wire			
	169515	Gaze SSC X1 Adaptor Yoke	2		
	169516	Gaze SSC X1 Adaptor Sub Plate	1		
	100-00050-14	Screw 8-32 x 7/8 TH MS Phil	4		
	100-00128-14	Screw 8-32 x 3/8 Flat Phil Type F	8		
<b>FIXTURE WEIGHTS:</b>					
	12"	18"	24"	36"	48"
<b>ROUND LED</b>	8lbs	17lbs	23lbs	44lbs	75lbs
<b>SQUARE LED</b>	9lbs	21lbs	28lbs	54lbs	100lbs

**WARNING:** Ground fixture in accordance with local and national electrical codes. Failure to do so may result in serious personal injury. Fixture Installations should ONLY be done by a qualified licensed electrical professional.

# Gaze | Round & Square

## RPM & SPM Pendant Mount

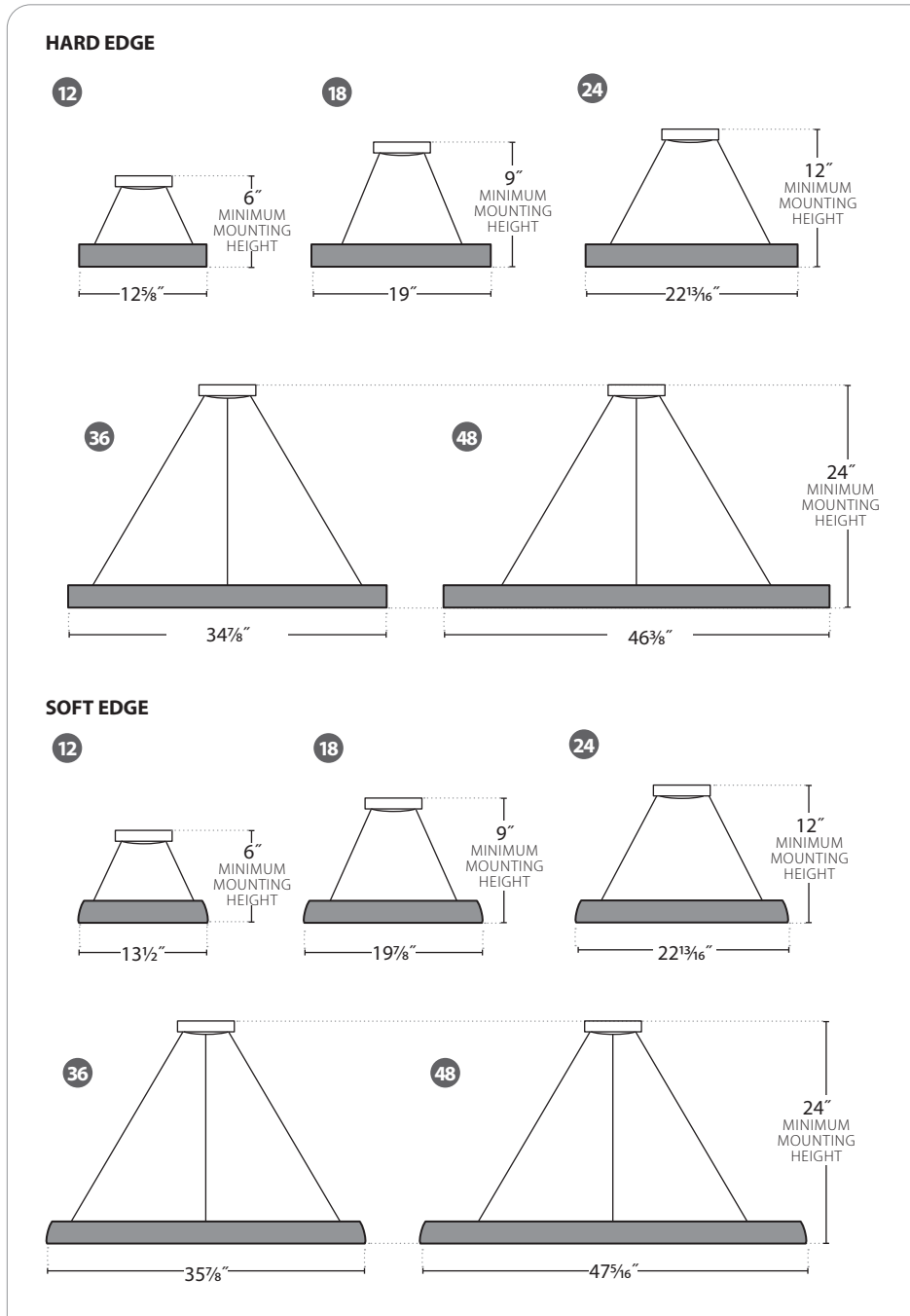
### INSTALLATION INSTRUCTIONS

#### X1 — T-BAR — ON-GRID



**👤👤 MAY REQUIRE TWO PEOPLE TO INSTALL**

#### RPM/SPM CANOPY MINIMUM MOUNTING HEIGHT



**WARNING:** Ground fixture in accordance with local and national electrical codes. Failure to do so may result in serious personal injury. Fixture Installations should ONLY be done by a qualified licensed electrical professional.

# Gaze | Round & Square

## RPM & SPM Pendant Mount

### INSTALLATION INSTRUCTIONS

#### X1 — T-BAR — ON-GRID

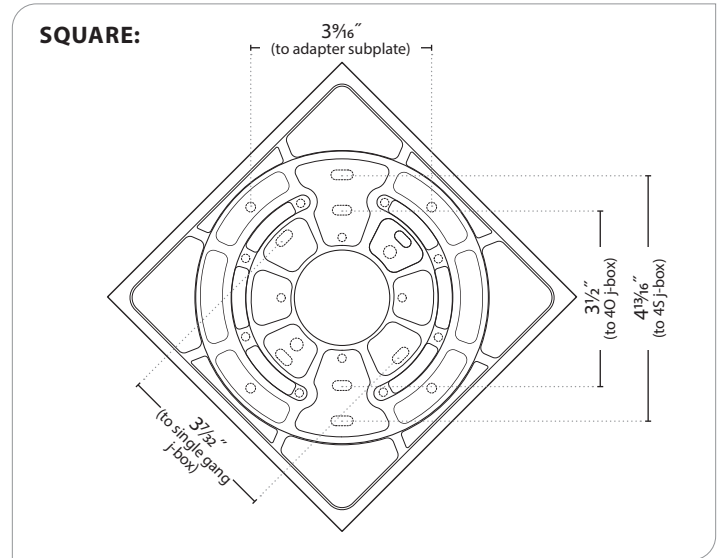
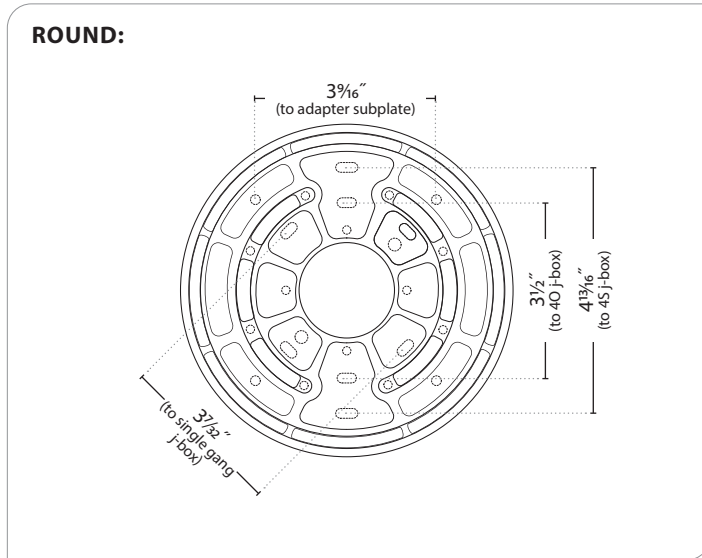


PRUDENTIAL LTG.

PRULITE.COM 213.746.0360

**MAY REQUIRE TWO PEOPLE TO INSTALL**

#### MOUNTING LOCATIONS



**WARNING:** Ground fixture in accordance with local and national electrical codes. Failure to do so may result in serious personal injury. Fixture Installations should ONLY be done by a qualified licensed electrical professional.

# Gaze | Round & Square RPM & SPM Pendant Mount

## INSTALLATION INSTRUCTIONS

### X1 — T-BAR — ON-GRID

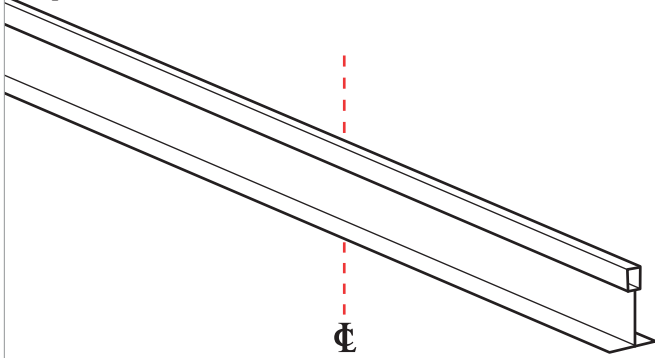


PRUDENTIAL LTG.

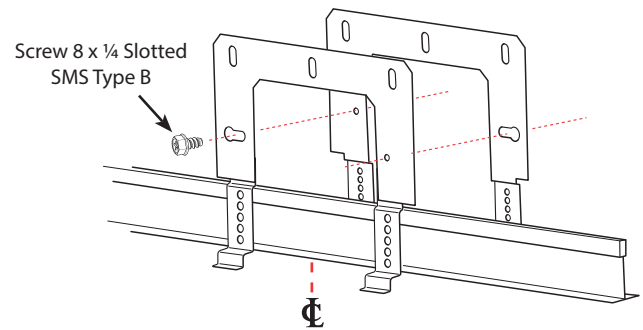
PRULITE.COM 213.746.0360

**MAY REQUIRE TWO PEOPLE TO INSTALL**

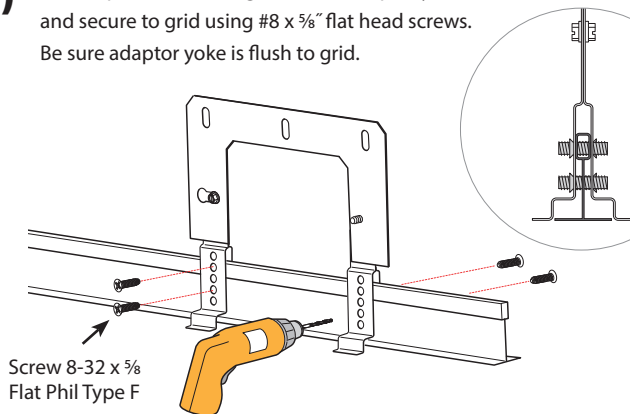
- 1)** Locate mounting point on t-bar and remove acoustic panels.



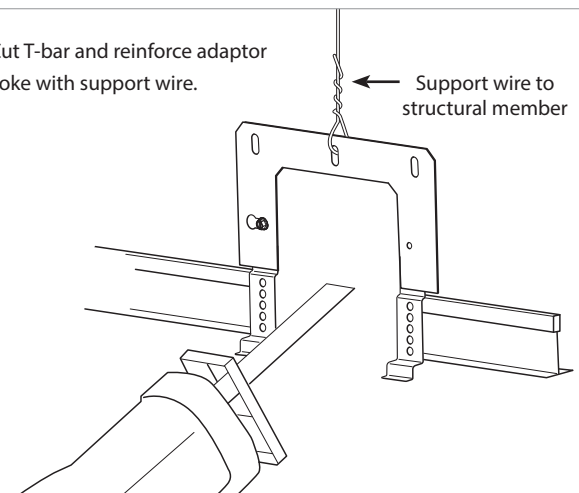
- 2)** Attach Adaptor Yoke brackets to T-bar using #8 x ¼ sheet metal screws. Light fixture will be centered between legs of yoke bracket.



- 3)** Drill ⅛" pilot hole through holes in adaptor yoke brackets and secure to grid using #8 x ⅝" flat head screws. Be sure adaptor yoke is flush to grid.



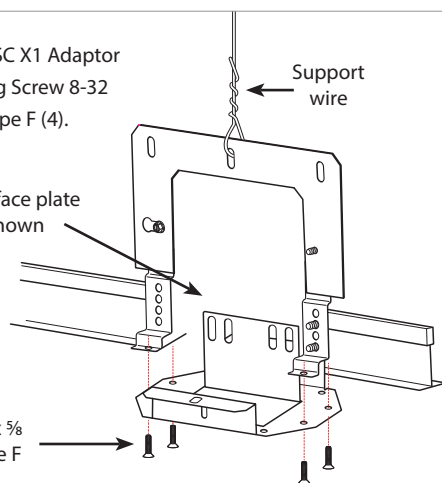
- 4)** Cut T-bar and reinforce adaptor yoke with support wire.



- 5)** Attach Gaze SSC X1 Adaptor Sub Plate using Screw 8-32 x ⅝ Flat Phil Type F (4).

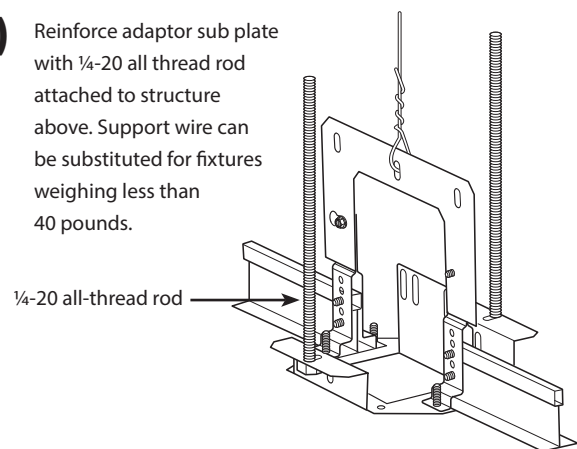
Be sure J-Box surface plate is formed up as shown

Screw 8-32 x ⅝ Flat Phil Type F



- 6)** Reinforce adaptor sub plate with ¼-20 all thread rod attached to structure above. Support wire can be substituted for fixtures weighing less than 40 pounds.

¼-20 all-thread rod



**WARNING:** Ground fixture in accordance with local and national electrical codes. Failure to do so may result in serious personal injury. Fixture Installations should ONLY be done by a qualified licensed electrical professional.

# Gaze | Round & Square RPM & SPM Pendant Mount

## INSTALLATION INSTRUCTIONS

### X1 — T-BAR — ON-GRID

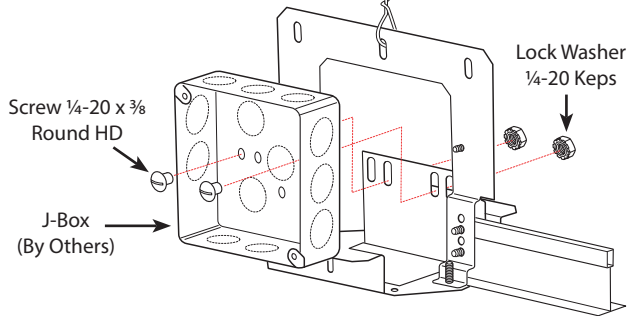


PRUDENTIAL LTG.

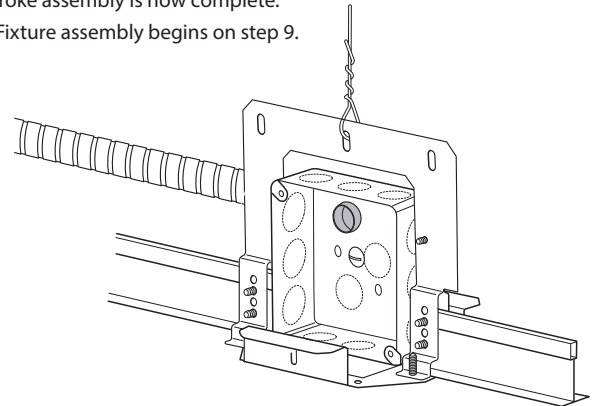
PRULITE.COM 213.746.0360

**MAY REQUIRE TWO PEOPLE TO INSTALL**

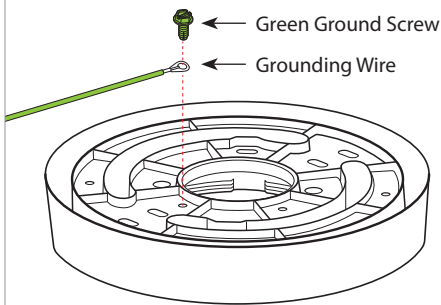
- 7)** Assemble J-Box to adaptor Sub Plate using 1/4-20 screws and nuts. Connect building wiring to J-Box.



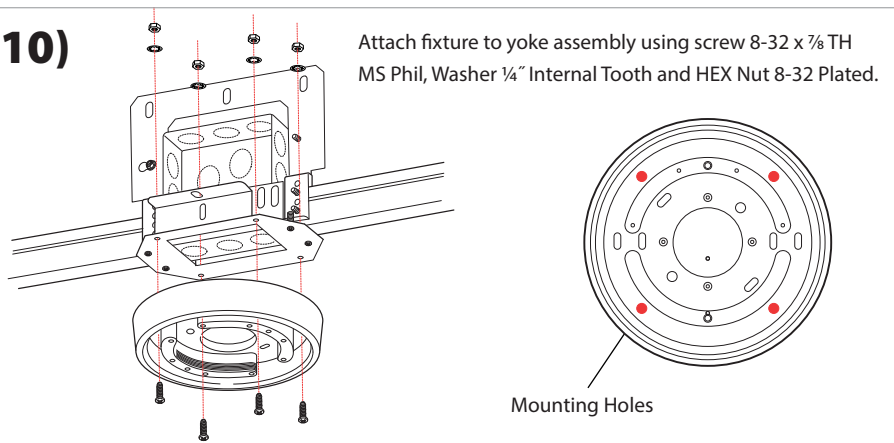
- 8)** Yoke assembly is now complete. Fixture assembly begins on step 9.



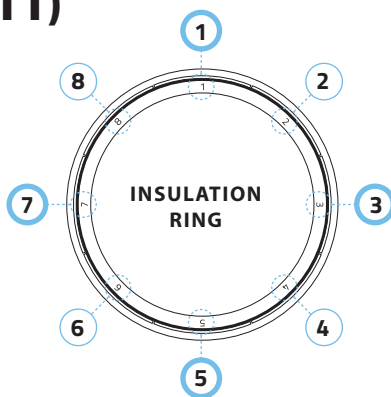
- 9)**



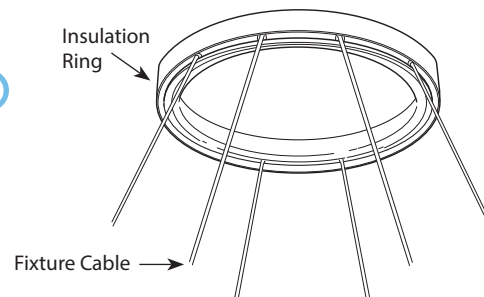
- 10)**



- 11)**

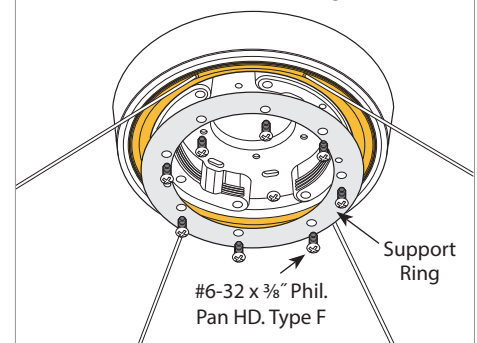


- 18" & 24"** – 4 cables. Pass cables through ring. Use chambers 1, 3, 5, 7 evenly spaced around ring.  
**36" & 48"** – 6 cables. Pass cables through ring. Use chambers 1, 2, 3, 5, 6, 7 evenly spaced around ring.



- 12)**

- Attach Insulation Ring. Make sure cables will keep the fixture in the desired orientation / alignment.



**WARNING:** Ground fixture in accordance with local and national electrical codes. Failure to do so may result in serious personal injury. Fixture Installations should ONLY be done by a qualified licensed electrical professional.

# Gaze | Round & Square RPM & SPM Pendant Mount

## INSTALLATION INSTRUCTIONS

### X1 — T-BAR — ON-GRID

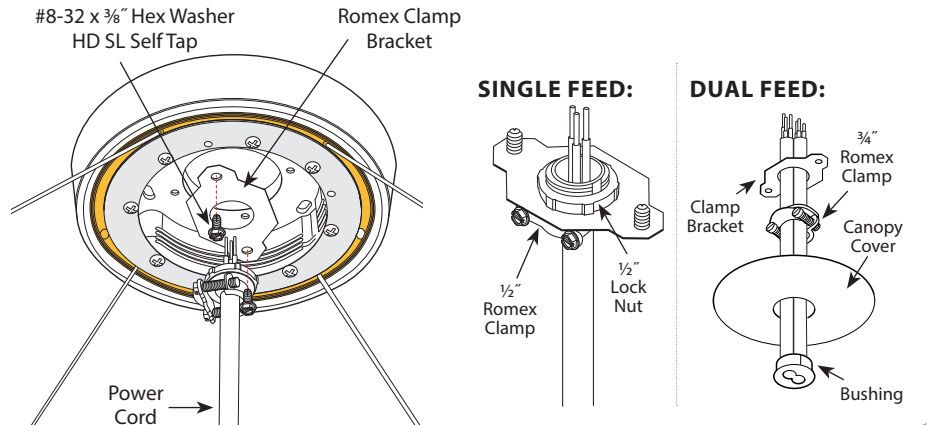


PRUDENTIAL LTG.

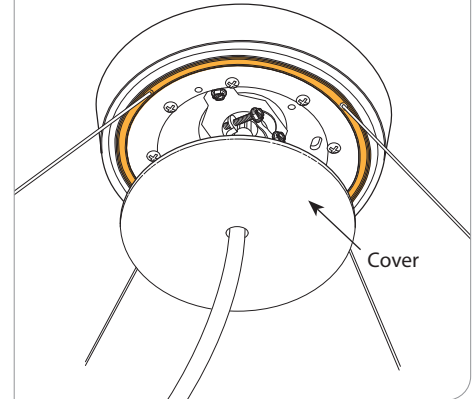
PRULITE.COM 213.746.0360

**👤👤 MAY REQUIRE TWO PEOPLE TO INSTALL**

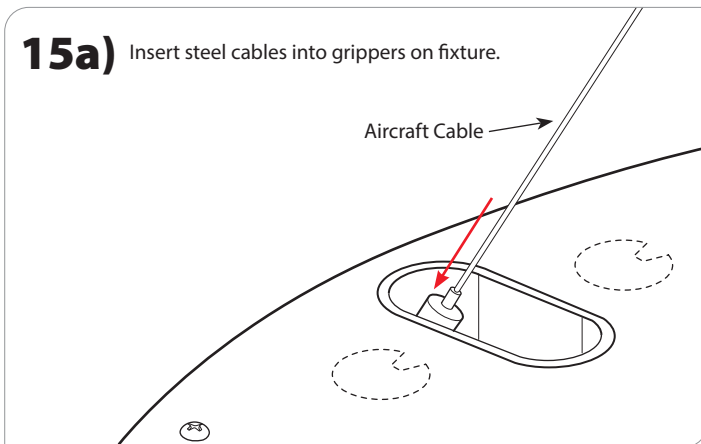
**13)** Make all power connections. Attach power cord to canopy with the Romex Clamp.



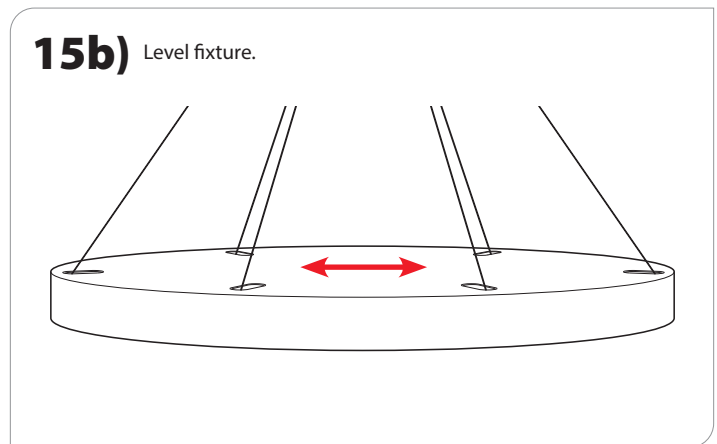
**14)** Screw on cover. **DO NOT** overtighten.



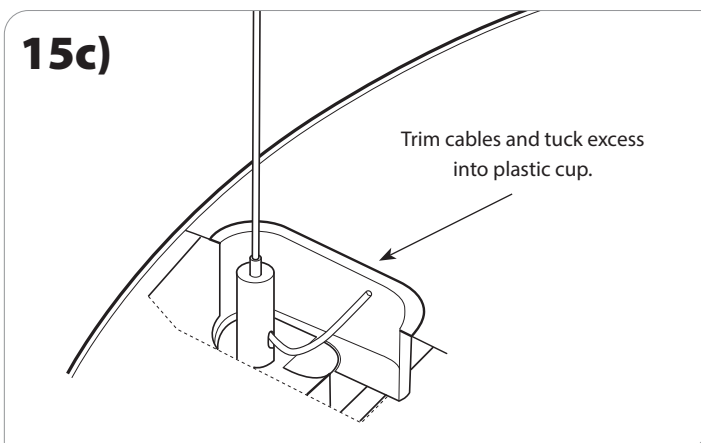
**15a)** Insert steel cables into grippers on fixture.



**15b)** Level fixture.



**15c)**



**WARNING:** Ground fixture in accordance with local and national electrical codes. Failure to do so may result in serious personal injury. Fixture Installations should **ONLY** be done by a qualified licensed electrical professional.

# Gaze | Round & Square RPM & SPM Pendant Mount

## INSTALLATION INSTRUCTIONS

### X1 — T-BAR — ON-GRID

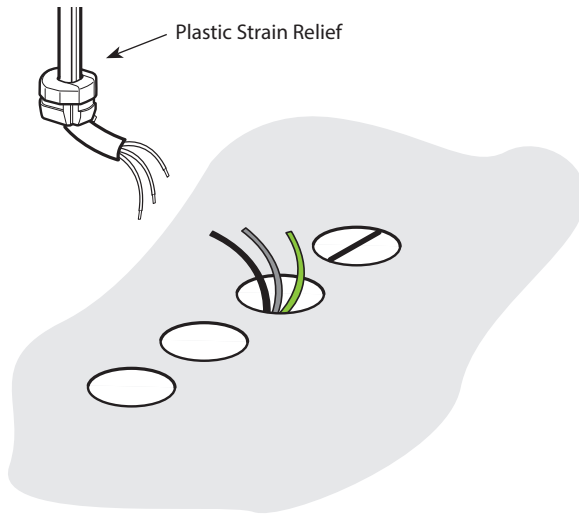


PRUDENTIAL LTG.

PRULITE.COM 213.746.0360

**👤👤 MAY REQUIRE TWO PEOPLE TO INSTALL**

**16)** Field cut SJT cord to proper length and strip back portion of outer insulation. Perform wire makeups above fixture (see color diagram below) and press wire nuts (by others) individually through  $\frac{7}{8}$ " hole. Use plastic strain relief provided to secure cord in place.



#### WIRING:

0-10V (+) : Purple	0-10V (-) : Grey
DALI (+) : Purple	DALI (-) : GREY
EcoSystem DALI (+) : Purple	EcoSystem DALI (-) : GREY
HOT : BLACK	
NEUTRAL : WHITE	
GROUND : GREEN	
CONSTANT HOT (EM) : RED	

**NOTE:** If drivers are installed remotely, connect low voltage (red & blue) wires only.

**WARNING:** Ground fixture in accordance with local and national electrical codes. Failure to do so may result in serious personal injury. Fixture Installations should ONLY be done by a qualified licensed electrical professional.