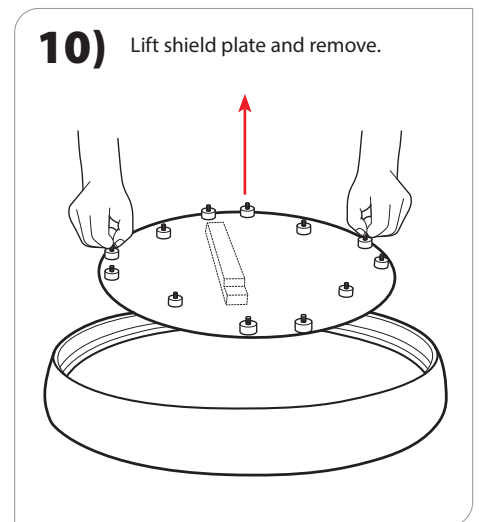
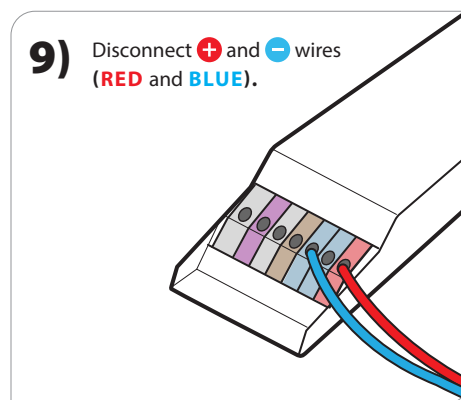
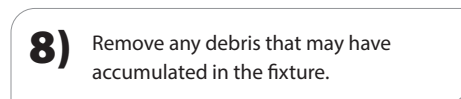
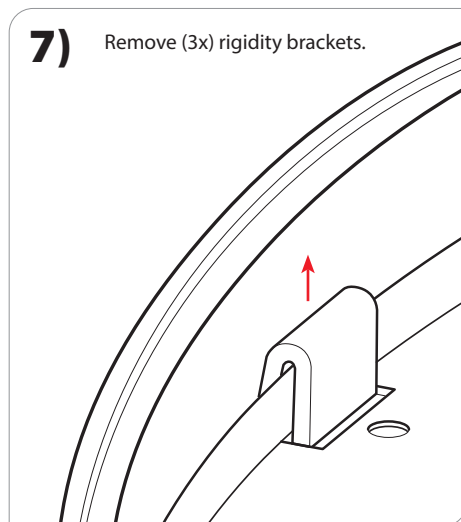
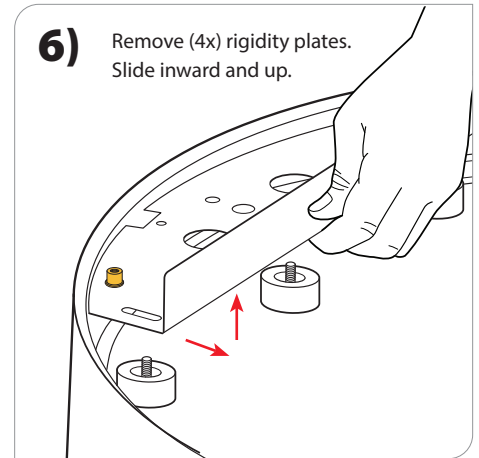
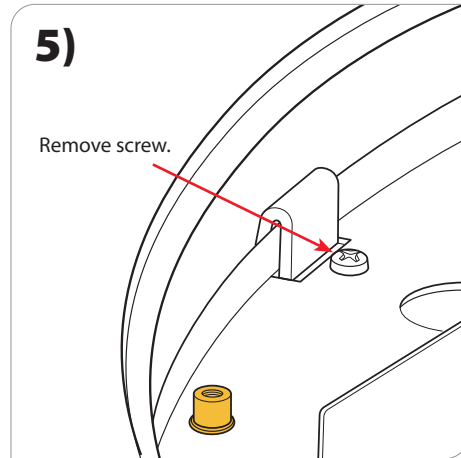
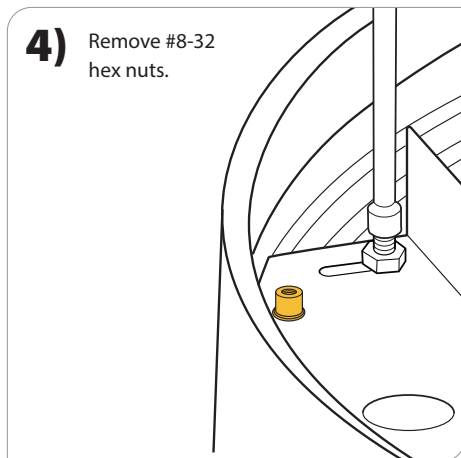


3) Replace driver if required (skip to step 4 if not required).

WIRING:

0-10V (+) : PURPLE	0-10V (-) : GREY
DALI (+) : PURPLE	DALI (-) : GREY
EcoSystem DALI (+) : PURPLE	EcoSystem DALI (-) : GREY
HOT : BLACK	
NEUTRAL : WHITE	
GROUND : GREEN	
CONSTANT HOT (EM) / DIMMING : RED	
EXTRA HOT / DIMMING : BLUE	
EXTRA HOT / DIMMING : ORANGE	

LED REPLACEMENT:



WARNING: Ground fixture in accordance with local and national electrical codes. Failure to do so may result in serious personal injury. Fixture Installations should ONLY be done by a qualified licensed electrical professional.



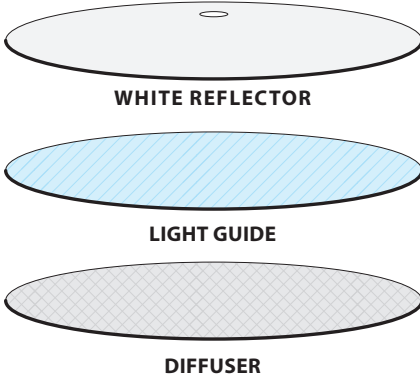
11a) 

GLOVES REQUIRED

Press diffuser from bottom and gently remove all three layers. (Detail on step 11).

NOTE: Any scratch, scuff or dirt on any of these items will show up as a dark spot. Store in safe clean environment when not installed in fixture housing.

11b) Light guide assembly consist of reflector, light guide, and diffuser (in that order).

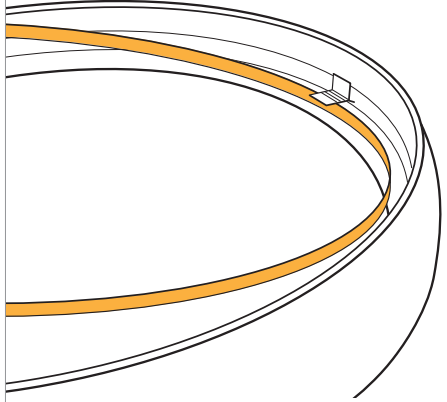


WHITE REFLECTOR

LIGHT GUIDE

DIFFUSER

12) Remove LED ring. Gently flex, **DO NOT** twist/bend.



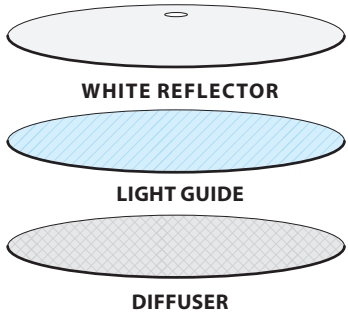
13a) Install new LED ring.



13b) Flex LED ring in middle when half way installed to insert last half.



14a) Install diffuser, light guide, and reflector (in that order) one at a time.

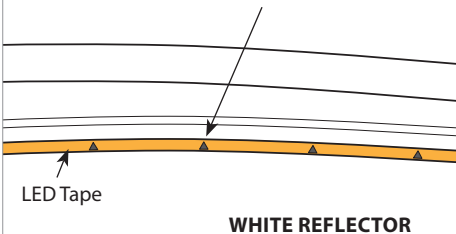


WHITE REFLECTOR

LIGHT GUIDE

DIFFUSER

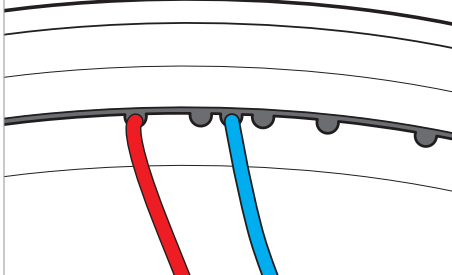
14b) After diffuser and light guide are installed, black arrows on LED tape should be visible to ensure light guide is fully seated in the fixture.



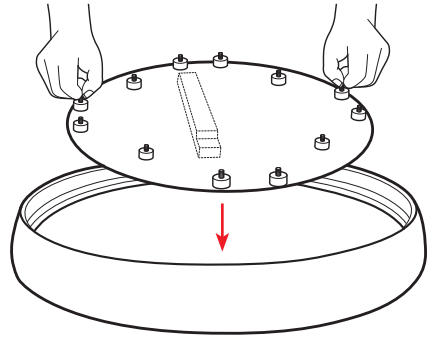
LED Tape

WHITE REFLECTOR

15) Align clearance notches in white reflector with one set of connectors on LED tape. Connect **+** and **-** wires (**RED** and **BLUE**).



16) Gently install shield plate back in place.

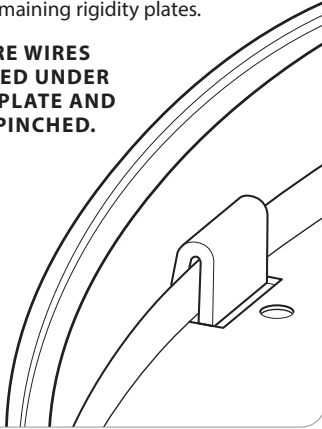


WARNING: Ground fixture in accordance with local and national electrical codes. Failure to do so may result in serious personal injury. Fixture Installations should **ONLY** be done by a qualified licensed electrical professional.

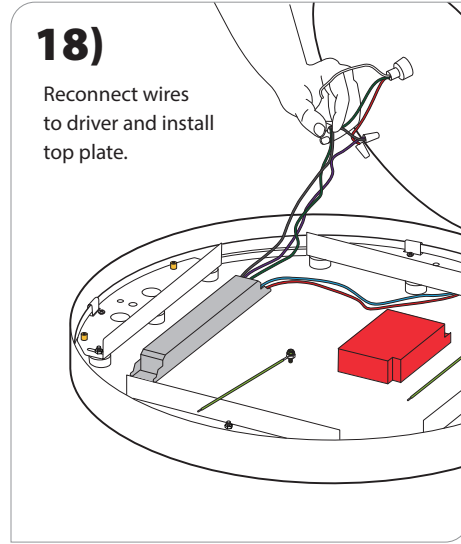


17) Install rigidity plates. First to welded bracket. Place removable rigidity brackets in place and install remaining rigidity plates.

MAKE SURE WIRES ARE TUCKED UNDER RIGIDITY PLATE AND ARE NOT PINCHED.



18) Reconnect wires to driver and install top plate.



WIRING:

0-10V (+) : PURPLE	0-10V (-) : GREY
DALI (+) : PURPLE	DALI (-) : GREY
EcoSystem DALI (+) : PURPLE	EcoSystem DALI (-) : GREY
HOT : BLACK	
NEUTRAL : WHITE	
GROUND : GREEN	
CONSTANT HOT (EM) / DIMMING : RED	
EXTRA HOT / DIMMING : BLUE	
EXTRA HOT / DIMMING : ORANGE	

WARNING: Ground fixture in accordance with local and national electrical codes. Failure to do so may result in serious personal injury. Fixture Installations should ONLY be done by a qualified licensed electrical professional.