

# Gaze | Round & Square

## Surface Flush / Standoff EXCP

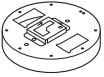
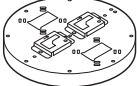
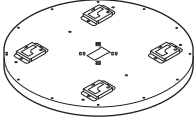
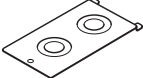

### INSTALLATION INSTRUCTIONS

### X3 — HARD CEILING



PRUDENTIAL LTG.

PRULITE.COM 213.746.0360

PART	PART NO.	DESCRIPTION	QTY
<b>SUB ASSY:</b>			
	196600	Gaze RD/SQ 12 EXCPS Canopy	
	196601	Gaze RD/SQ 12 EXCPF Canopy	
	196602	Gaze RD/SQ 18/24 EXCPS Canopy	
	196603	Gaze RD/SQ 18/24 EXCPF Canopy	
	196604	Gaze RD/SQ 36/48 EXCPS Canopy	
	196605	Gaze RD/SQ 36/48 EXCPF Canopy	
	111588	Universal Access Plate <b>(SURF + SURS)</b>	1
	100-00018-14	6-32 x 1/4" Phil Pan Head Screw <b>(SURF + SURS)</b>	1

#### STRAIN RELIEF:



	100-00228-14	Surface <b>(SURF)</b>	1
		Surface Standoff <b>(SURS)</b>	2

#### MOUNTING OPTIONS

##### EXCPF Surface Flush



##### EXCPS Surface Standoff



#### FIXTURE WEIGHTS:

	12"	18"	24"	36"	48"
<b>ROUND LED</b>	8lbs	17lbs	23lbs	44lbs	75lbs
<b>SQUARE LED</b>	9lbs	21lbs	28lbs	54lbs	100lbs

#### HARDWARE NOT INCLUDED

##### MOUNTING SCREWS

(1/4" X 2" lag bolts recommended for mounting to wood studs. Contractor to determine appropriate hardware for specific conditions)

12": 2 per Installation    18" & 24": 3 per Installation    36" & 48": 6 per Installation

##### MASKING TAPE

To aid in fixture installation

**WARNING:** Ground fixture in accordance with local and national electrical codes. Failure to do so may result in serious personal injury. Fixture Installations should ONLY be done by a qualified licensed electrical professional.



Prudential Ltg. reserves the right to change design specifications or materials without notice. Please visit prulite.com for most current data.  
© 2026 All rights reserved—All products manufactured at: Prudential Ltg. 1774 E. 21<sup>st</sup> Street, Los Angeles, CA 90058



## INSTALLATION INSTRUCTIONS

### X3 — HARD CEILING

**MAY REQUIRE TWO PEOPLE TO INSTALL**

**NOTE:** These instructions apply to round and square fixtures. Images may vary slightly based on fixture size.

**CAUTION:**  
Gaze surface installation is achieved by "shift and lock" technique. 2½" of clearance from wall is needed to ensure that there is no interference.

**FIXTURE SIZES:**

	12"	18"	24"	36"	48"
<b>ROUND LED</b>	12 <sup>5</sup> / <sub>8</sub> "	19"	22 <sup>3</sup> / <sub>4</sub> "	34 <sup>7</sup> / <sub>8</sub> "	46 <sup>3</sup> / <sub>8</sub> "
<b>SQUARE LED</b>	13"	19"	22 <sup>3</sup> / <sub>4</sub> "	34 <sup>7</sup> / <sub>8</sub> "	46 <sup>7</sup> / <sub>8</sub> "

### MOUNTING POINTS

● RD/SQ 36/48 EXCPS Canopy SUB ASSY  
(6x) Mounting Points

● RD/SQ 18/24 EXCPS Canopy SUB ASSY  
(3x) Mounting Points

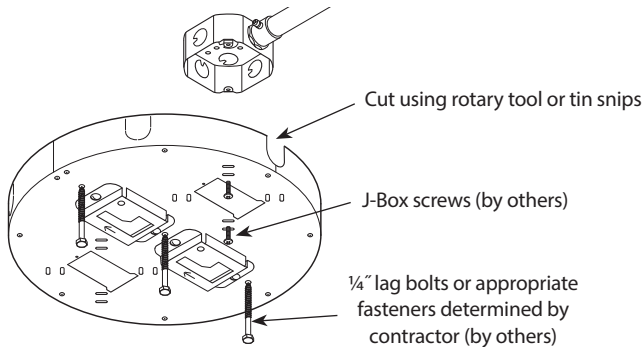
● RD/SQ 12 EXCPS Canopy SUB ASSY  
(2x) Mounting Points

If mounting to wall, arrows must point down towards floor

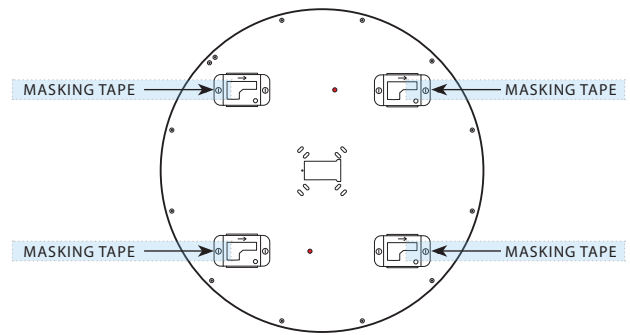
**WARNING:** Ground fixture in accordance with local and national electrical codes. Failure to do so may result in serious personal injury. Fixture Installations should ONLY be done by a qualified licensed electrical professional.



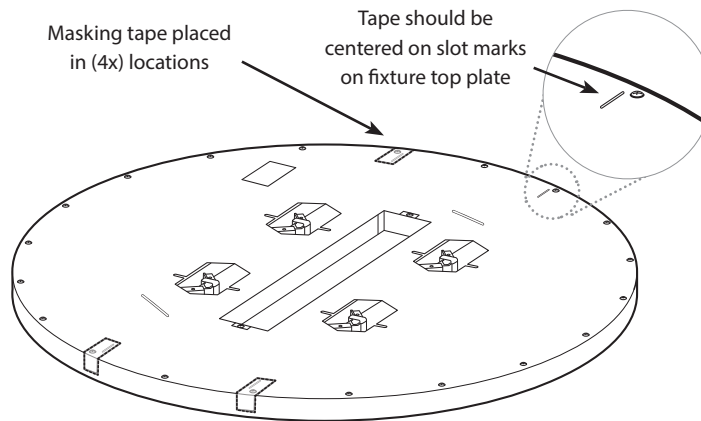
- 1)** Install canopy sub-assembly to ceiling or wall. Align J-Box with access opening on canopy sub-assembly. Use ¼" lag bolts, or appropriate fasteners determined by contractor, to secure canopy sub-assembly.



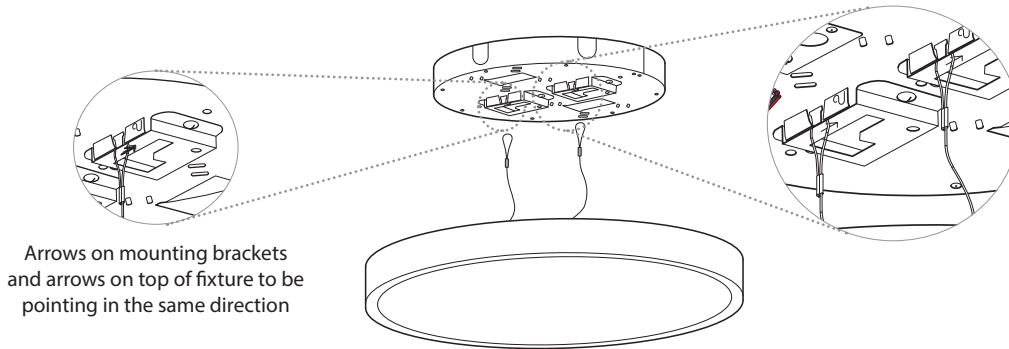
- 2)** Apply masking tape as shown. This will help to position the fixture during final installation. Without the masking tape as a guide, aligning fixture with mounting brackets may be difficult.  
**NOTE:** Remove masking tape after final installation.



- 3)** Apply masking tape on 36" & 48" fixtures as shown below. This will help align fixture during final installation.



- 4)** Hang fixture by hooking safety cables to mounting brackets.



**WARNING:** Ground fixture in accordance with local and national electrical codes. Failure to do so may result in serious personal injury. Fixture Installations should ONLY be done by a qualified licensed electrical professional.

# Gaze | Round & Square

## Surface Flush / Standoff EXCP

### INSTALLATION INSTRUCTIONS

### X3 — HARD CEILING

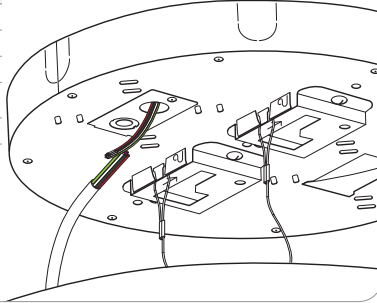


PRUDENTIAL LTG.

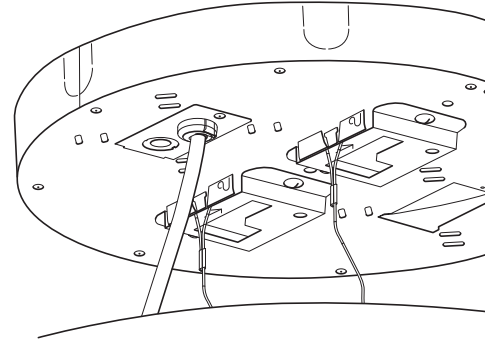
PRULITE.COM 213.746.0360

**5)** Perform wire makeups between SJT cord(s) and J-Box. Route wires through Universal Access Plate as shown. Attach universal access plate with 6-32 x 1/4 phil pan head screw.

WIRING COLOR CODE (FIXTURE)	CORD
LINE VOLTAGE HOT : BLACK	BLACK
NEUTRAL : WHITE	WHITE
GROUND : GREEN	GREEN
CONSTANT OR SECOND CIRCUIT HOT (EM) : RED	RED
LOW VOLTAGE (+) : PURPLE	ORANGE
LOW VOLTAGE (-) : PINK	BLUE



**6)** Use Strain Relief to secure cord to universal access plate. Fixture can be powered up to test.



**7)** Surface mount light fixture to wall or ceiling using “shift and lock” technique. Read all notes on diagram shown below before attempting surface mount.

**For 36” & 48” fixtures, use masking tape guides to align fixture to mounting brackets.**

**WARNING:** Ground fixture in accordance with local and national electrical codes. Failure to do so may result in serious personal injury. Fixture Installations should ONLY be done by a qualified licensed electrical professional.