

Remote Box



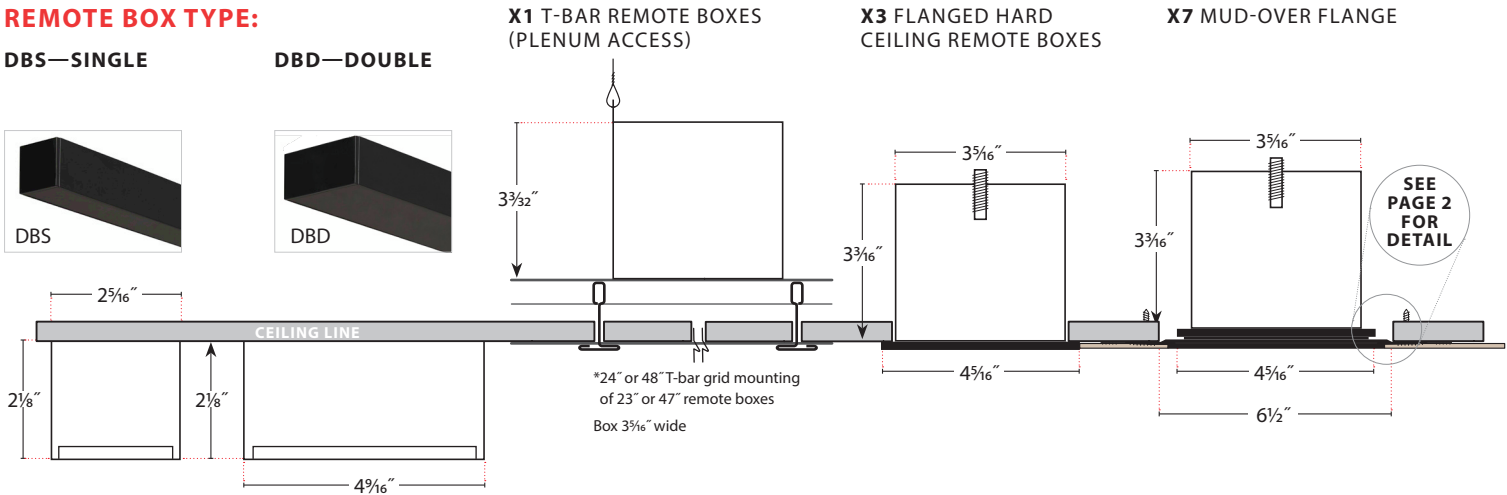
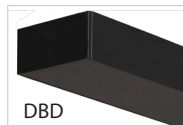
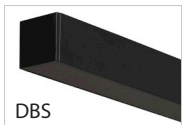
PRUDENTIAL LTG.

PRULITE.COM (213) 746-0360

REMOTE BOX TYPE:

DBS—SINGLE

DBD—DOUBLE



PLEASE INCLUDE THIS SPEC WHEN ORDERING A FIXTURE REQUIRING A REMOTE BOX:

- MicroCove/Wash Remote
- PruCove Remote
- Stream Oval
- Stream Square Remote
- Any fixture where a remote box is needed

REQUIRED FOR QUOTING:

PRU WILL COMPLETE:

SERIES	REMOTE BOX TYPE	REMOTE BOX COLOR	EMERGENCY	OPTIONS	LENGTH	LINE VOLTAGE LOCATION	POWER FEED (NOT FOR X1)	MOUNTING
REMBOX						—		
Remote Box	DBS Deco Surface Box Single DBD Deco Surface Box Double NOTE: Double used when drivers & Emergency don't fit in Single, factory will typically determine when ordering X1 All T-Bar Ceilings X3 Hard Ceilings with Flange (Does not typically need this spec sheet filled out) X7 Hard Ceilings with Mud-over Flange	NA X1 T-bar boxes are pre-painted, DO NOT designate paint color TMW Textured Matte White (Standard) YGW Gloss White Y__ Premium Color CC Custom Color LUXE METALLICS: YBZ Bronze YCP Copper Penny YGN Gold Nugget NOTE: Visible parts only	EMHE CA T20 Emergency Battery ETS-DR Iota ETS-DR Emergency Transfer Switch EMC Emergency Circuiting	OMB Over-head Mounting Bracket (X3 & X7 Only, see page 2) Consult factory for Sensors installed in Remote Box	2' (Standard) 4' Custom	(DBS/DBD ONLY) LEFT: RIGHT: 0 0 1 1 2 2 NOTE: Left is indicated by power or mount holes on cover See page 3	0 1 (Standard) 2 See page 4	NOMT (Fixture DOES NOT mount to remote box, X1 T-Bar always NOMT) MT (Fixture mounts to remote box) See page 5

Remote Box



PRUDENTIAL LTG.

PRULITE.COM (213) 746-0360

FINISH COLORS

STANDARD:

TMW — Textured Matte White	YGW — Gloss White
----------------------------	-------------------

PREMIUM:

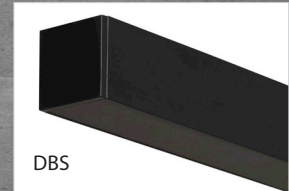
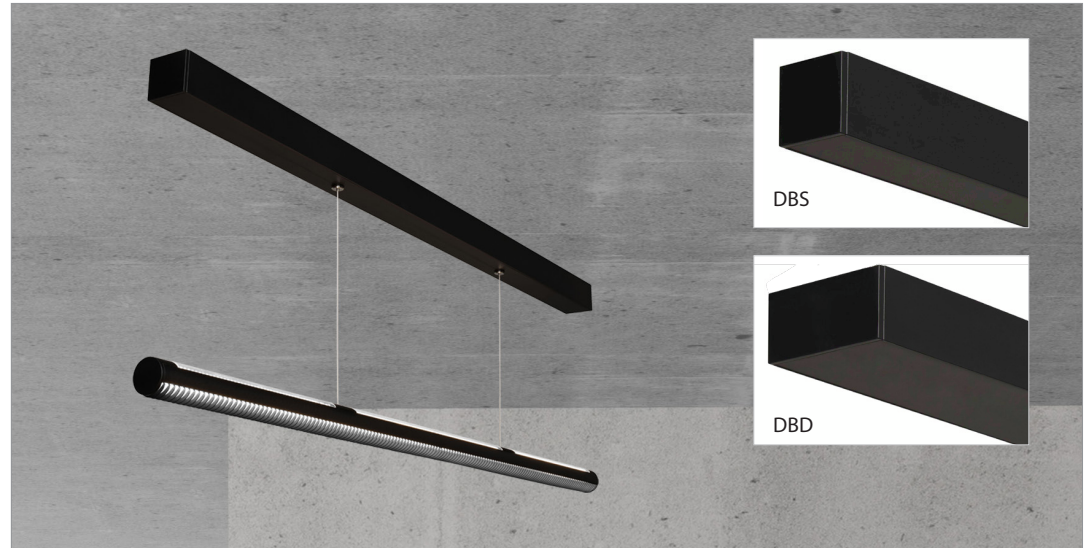
YSW — Seashell White (Matte)	YRG — Rain Grey (Gloss)
YPE — Pewter (Matte)	YSTM — Storm Grey (Matte)
YBK — Black (Matte)	YBB — Black (Semi Gloss)
YSKM — Sky (Matte)	YMB — Military Blue (Matte)
YSAM — Sapphire (Matte)	YIB — Interstate Blue (Matte)
YBR — Bronze (Matte)	YSRM — Sunset Red (Matte)
YOR — Orange (Matte)	YGAM — Daffodil (Matte)
YFGM — Forest Green (Matte)	YSL — Silver (Metallic)

LUXE METALLICS:

YCP — Copper Penny (Metallic)	YGN — Gold Nugget (Metallic)
YBZ — Bronze (Metallic)	

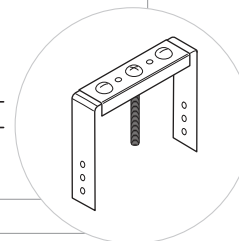
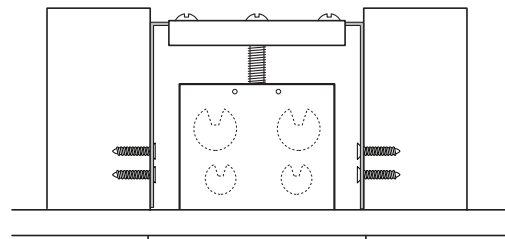
Choose from one of our Premium Colors with no set-up fee.

For paint chip samples, please email: info@prulite.com

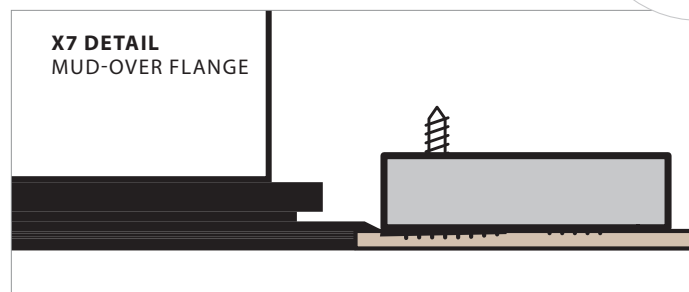


OMB (OVERHEAD MOUNTING BRACKET)

(2 Per Remote Box) Optional mounting for hard ceiling installs (X3, X7)



X7 DETAIL MUD-OVER FLANGE



Line Voltage Location for Surface Mount

DBS/DBD Only

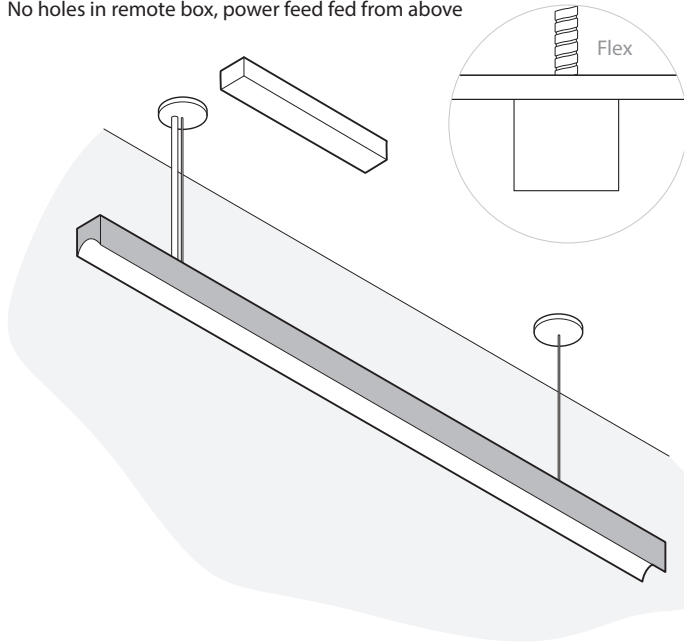


PRUDENTIAL LTG.

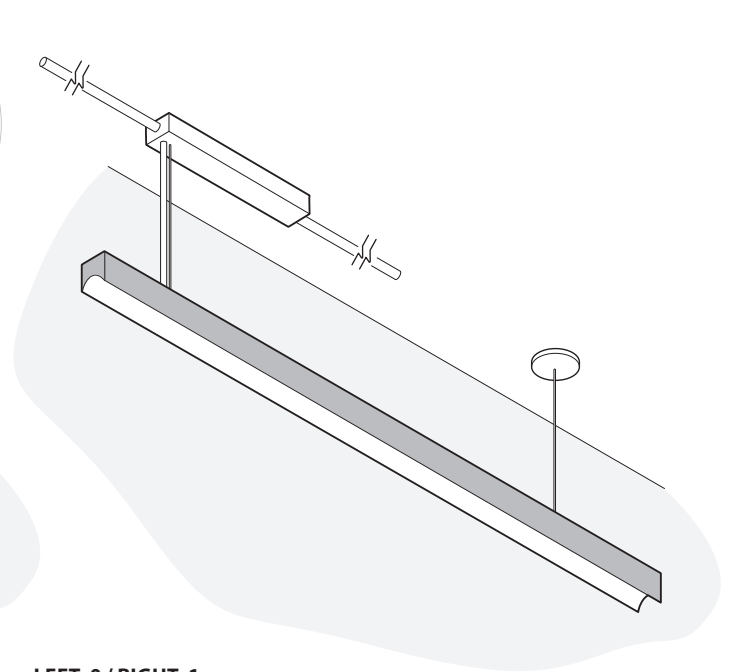
PRULITE.COM (213) 746-0360

LEFT: 0 / RIGHT: 0

No holes in remote box, power feed fed from above

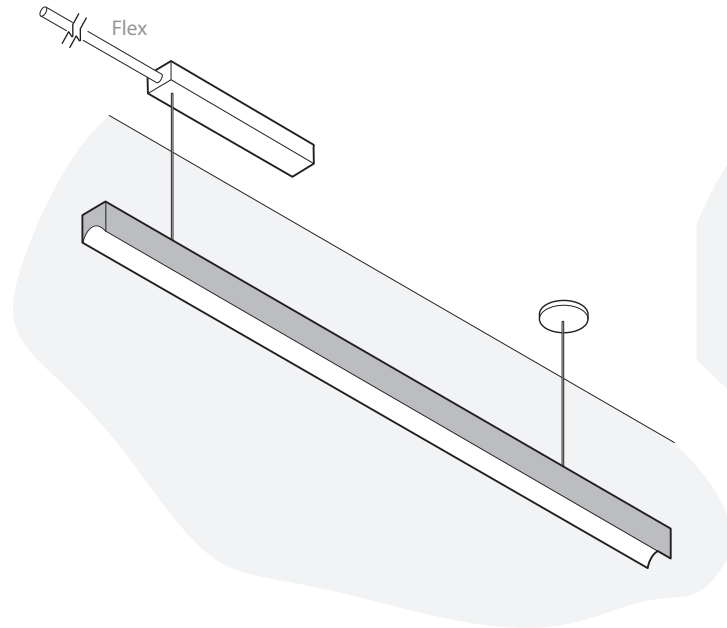


LEFT: 1 / RIGHT: 1



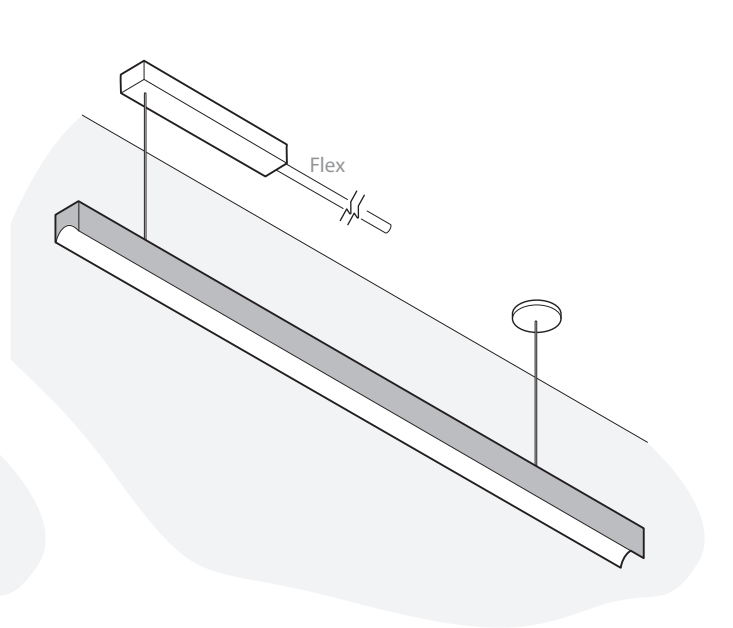
LEFT: 1 / RIGHT: 0

Fixture cable hung from remote box, flex to LEFT
(typically for concrete ceilings)



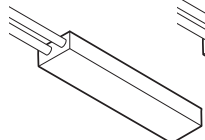
LEFT: 0 / RIGHT: 1

Fixture cable hung, flex to RIGHT of cable

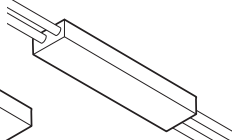


NOTE: DBD will be needed for most driver + Emergency, two power feeds possible L2 (left) or R2 (right) side.

LEFT: 2 / RIGHT: 0



LEFT: 2 / RIGHT: 2

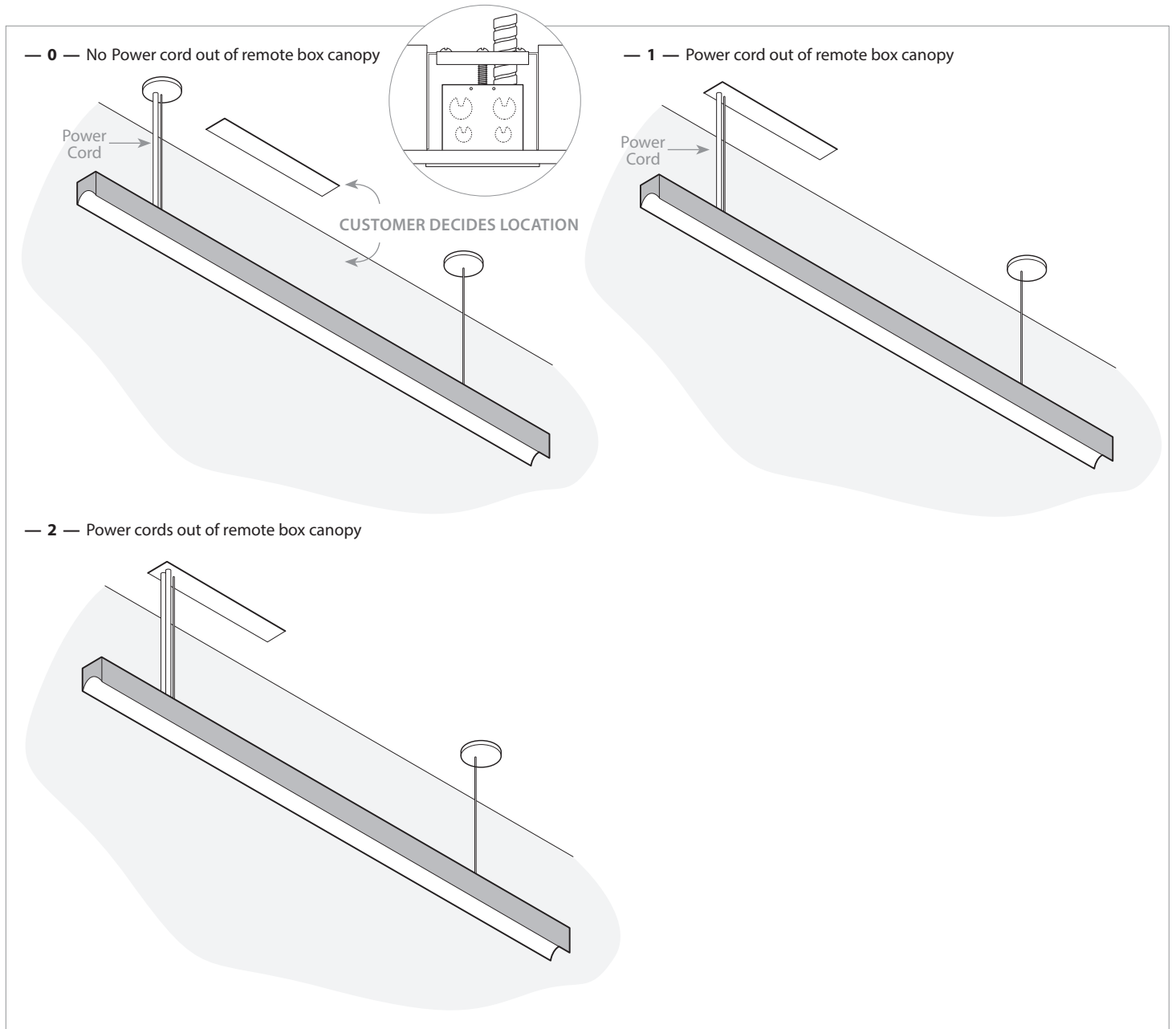


Power Feed



PRUDENTIAL LTG.

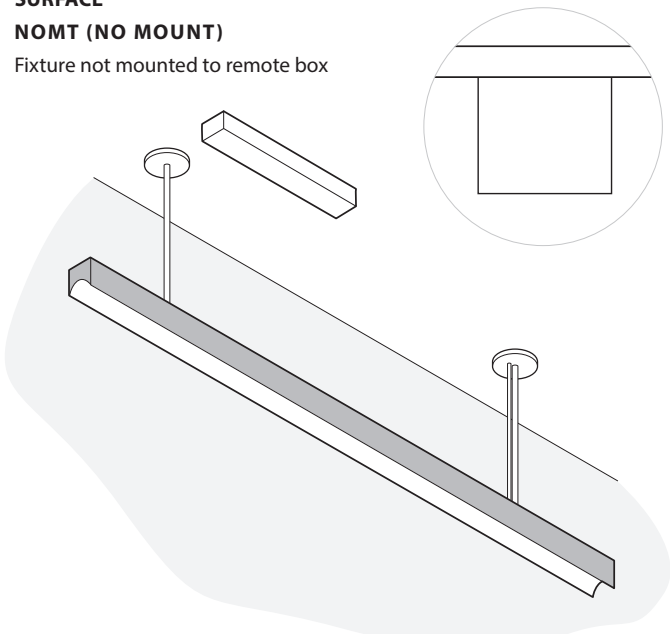
PRULITE.COM (213) 746-0360



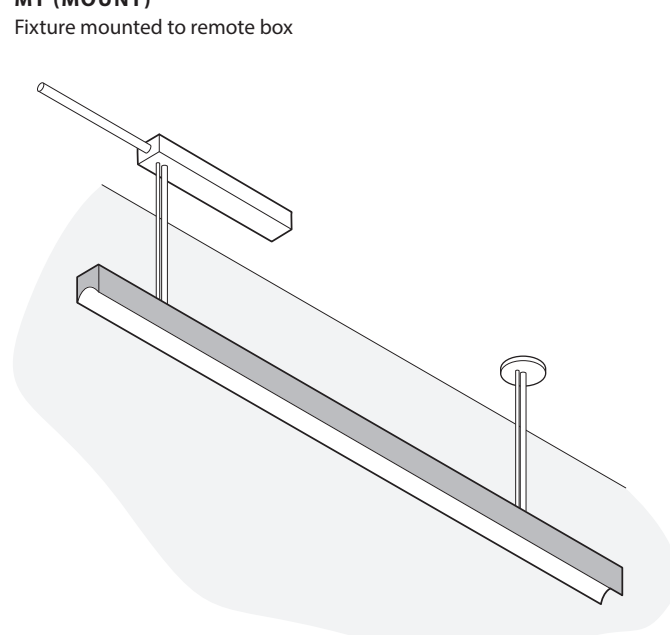
Mounting



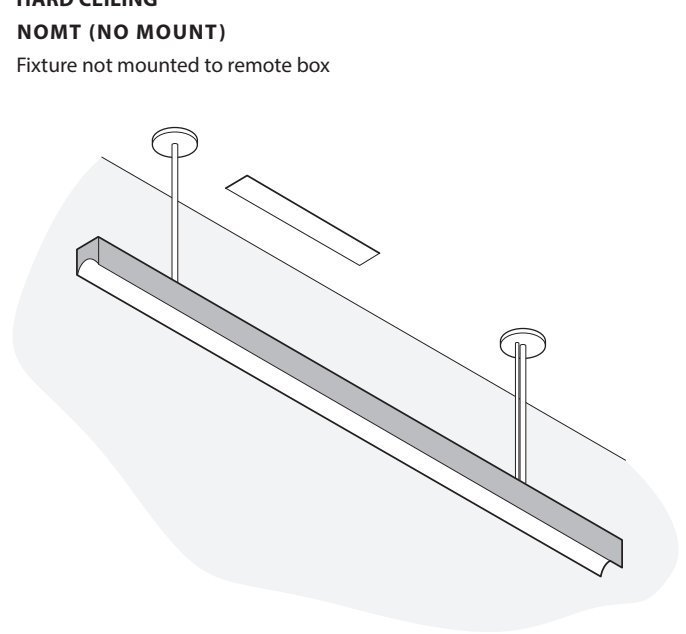
SURFACE
NOMT (NO MOUNT)
Fixture not mounted to remote box



MT (MOUNT)
Fixture mounted to remote box



HARD CEILING
NOMT (NO MOUNT)
Fixture not mounted to remote box



MT (MOUNT)
Fixture mounted to remote box

