

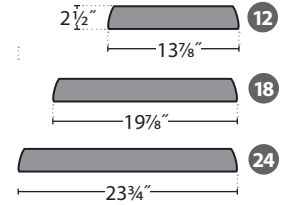
# Gaze | Pendant, Surface & Wall

## Soft Edge, Square



PRUDENTIAL LTG.

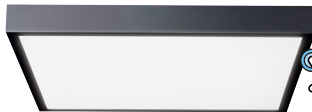
PRULITE.COM 213.746.0360



### LAMINATE FINISH OPTIONS



SPOOL



HARD EDGE

CLICK TO LEARN MORE

### SINGLE STEM (SSC)



### LUMEN OUTPUT:

D1 DIRECT		LO	MO	SO	HO
12:	lm	800	1250	1700	2300
	w	11	17	24	30
18:	lm	1550	2900	4225	5550
	w	13	24	35	48
24:	lm	2200	4050	5875	7675
	w	19	35	52	69

D9 INDIRECT ONLY (12" D9 NOT AVAILABLE EXCEPT SURS-LO)		LO	MO	SO	HO
18 & 24:	lm	550	1425	2200	2825
	w	7.5	18	30	41

SMART SPECS

### Gaze Soft Edge, distinctively curved, undeniably refined.

Gaze promises smooth, even diffusion of light, and is also available in a clean Hard Edge or the elegantly soft form of Spool with a subtle .75" regress. Gaze Soft Edge has a 2.5" profile, with just a hint of regress. Round and Square.



Lumen output may vary +/- 5%  
3500K used for lm/ft estimates above  
4000K +2% llf, 3000K -2%, 2700K -4%  
-10% llf for 90 CRI (4K, 3500K and 3K)

NOTE: Combine D1 and D9 IES files or see page 3 lumen chart

SE-RIES	SIZE	LED COLOR	OUTPUT	FIXTURE COLOR / LAMINATE FINISH	LAMINATE CANOPY COLOR	DISTRI-BUTION	CIRCU-ITING	VOLT-AGE	MOUNTING	CEILING SYSTEMS	DRIVERS	OPTIONS	
Gaz-eSQS			—										
Square Soft Edge	12	LED27 2700K (90CRI)	LO Low	TMW Textured Matte White (Standard)	<b>(SKIP THIS COLUMN IF LAMINATE FINISH IS NOT SELECTED)</b> TMW Textured Matte White (Standard) YGW Gloss White Y__ Premium Color CC__ Custom Color  <b>LUXE METALLICS:</b> YBZ Bronze Y__ Premium Color CC__ Custom Color  <b>LUXE METALLICS:</b> YBZ Bronze YCP Copper Penny YGN Gold Nugget  <b>LAMINATE FINISHES (SPECIFY CANOPY COLOR IN NEXT COLUMN =&gt;)</b> LOK Vara Oak LEW Evreux Walnut LOG Oxidized Gold LOB Oxidized Black L__ Special Order Laminate (EXTENDED LEAD TIMES)  <b>NOTE:</b> For Laminate finishes Top Plate + Stem is YBK Matte Black except for LOK and LLW it will be TMW White.	D1 Direct	SC Single Circuit	UNV (120-277)	CA48", 96" or 144" Aircraft Cable (Adjustable)	X1-ON T-Bar	ND Non-Dimming	EMHE CA T20 Emergency Battery (800 delivered lumens) 12+18: Remote Only RPAC-EMHE often requires TWO Remote boxes, consult factory EMHE-RTK Remote EMHE with Remote Test Kit ETS-DR Iota ETS-DR Emergency Transfer Switch	
	18	LED3 3000K	MO Medium	Y__ Premium Color		D9 Direct / indirect or Semi-Direct (SURS-D9: Indirect LO Output ONLY; 12" available as SURS ONLY - MUST BE SOLO or SODA)	DC Dual Circuit (NA - 12")	347	RPM 48", 96" or 144" Round Cast Aluminum Canopy SPM 48", 96" or 144" Square Cast Aluminum Canopy	X1-OFF T-Bar	DMO1 0-10v, 1% Dimming (Standard)	EMHE-RTK Remote EMHE with Remote Test Kit	
	24	LED35 3500K	SO Standard	CC__ Custom Color						SURF Surface Flush (D1 only)	X3 Hard Ceiling	LDE1 Lutron Hi-lume 1% EcoSystem LED (Soft fade on, fade-to-black dimming)	EMHE-RTK Remote EMHE with Remote Test Kit
		LED4 4000K	HO High (Static White Only)	YBZ Bronze						SURS Surface Stand-off (SURS-D9: LO Output ONLY)		ECO 1% 0-10v, EIdoLED (Logarithmic dimming std)	EMHE-RTK Remote EMHE with Remote Test Kit
		LED3-90 90CRI	PROG Programmable Light Output (Specify desired lm or w/ fixture)	YCP Copper Penny						PAC-R/S 96" Powered Aircraft Cable Round/Square Canopy, Direct canopy mount, X3 only NA with some configurations		ECDA 1% DALI, EIdoLED (Logarithmic dimming std)	EMHE-RTK Remote EMHE with Remote Test Kit
		LED35-90 90CRI	NOTE: Specify separate output Down/Up if desired eg. LO/HO (Low Down, High Up)	YGN Gold Nugget						RPAC-R/S Remote Powered Aircraft Cable Round/Square Canopy NA with some configurations or 2 Remote Boxes may be needed.		SOLO 0.1% 0-10v, EIdoLED (Dim-to-dark, Logarithmic dimming std)	EMHE-RTK Remote EMHE with Remote Test Kit
		LED4-90 90CRI		YCN Copper Penny						SSC Center Stem (Specify length (Length refers to actual stem length not overall length); SSC Canopy Round ONLY; NA 12" D9) See pages 4-6 for mounting dimensions.		SODA 0.1% DALI, EIdoLED (Dim-to-dark, Logarithmic dimming std)	EMHE-RTK Remote EMHE with Remote Test Kit
		LED5-90 90CRI		YGN Gold Nugget									EMHE-RTK Remote EMHE with Remote Test Kit
													EMHE-RTK Remote EMHE with Remote Test Kit
													EMHE-RTK Remote EMHE with Remote Test Kit

### SEE PAGE 2 FOR REMOTE BOX OPTIONS

Prudential Ltg. reserves the right to change design specifications or materials without notice. Please visit prulite.com for most current data.  
© 2026 All rights reserved—All products manufactured at: Prudential Lighting, 1774 E. 21<sup>st</sup> Street, Los Angeles, CA 90058.

Pendant

1

04-30-2026

## REMOTE BOX FOR RPAC — REMOTE POWER OVER AIRCRAFT CABLES

### REMOTE BOX TYPE:

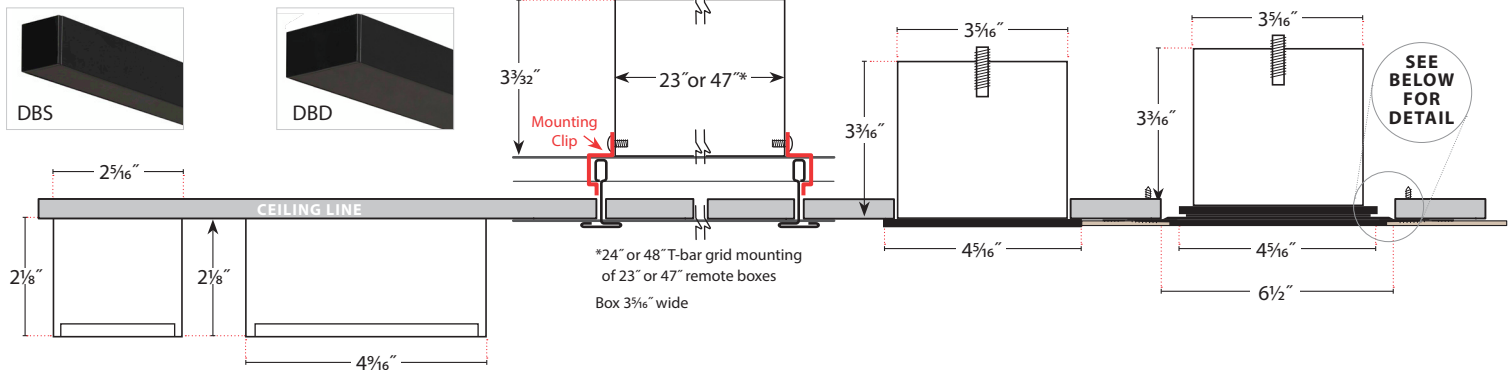
**DBS - SINGLE**

**DBD - DOUBLE**

**X1 T-BAR REMOTE BOXES (PLENUM ACCESS)**

**X3 FLANGED HARD CEILING REMOTE BOXES**

**X7 MUD-OVER FLANGE**



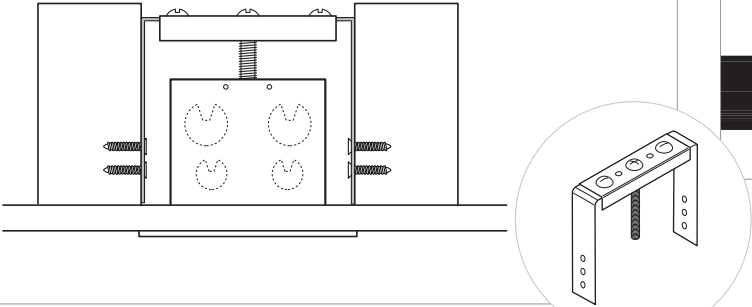
### REQUIRED FOR QUOTING:

### PRU WILL COMPLETE:

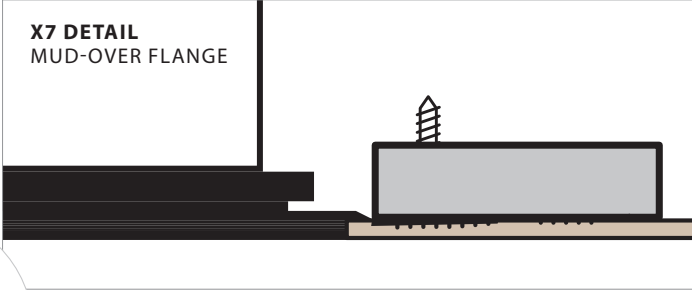
SERIES	REMOTE BOX TYPE	REMOTE BOX COLOR	EMERGENCY	OPTIONS	LENGTH	LINE VOLTAGE LOCATION	POWER FEED (NOT FOR X1)	MOUNTING
REMBOX						—	0	NOMT
Remote Box	DBS Deco Surface Box Single DBD Deco Surface Box Double NOTE: Double used when drivers & Emergency don't fit in Single, factory will typically determine when ordering X1 All T-Bar Ceilings X3 Hard Ceilings with Flange (Does not typically need this spec sheet filled out) X7 Hard Ceilings with Mud-over Flange	NA X1 T-bar boxes are pre-painted, <b>DO NOT</b> designate paint color TMW Textured Matte White (Standard) YGW Gloss White Y__ Premium Color CC Custom Color NOTE: Visible parts only	EMHE CA T20 Emergency Battery ETS-DR Iota ETS-DR Emergency Transfer Switch EMC Emergency Circuiting	OMB Overhead Mounting Bracket (X3 & X7 Only) Consult factory for Sensors installed in Remote Box	2' (Standard) 4' Custom	(DBS/DBD ONLY) LEFT: 0 RIGHT: 0 1 1 2 2 NOTE: Left is indicated by power or mount holes on cover	0	NOMT (Fixture <b>DOES NOT</b> mount to remote box, X1 T-Bar always NOMT)

### REMOTE BOX OPTIONS

**OMB (OVERHEAD MOUNTING BRACKET)**  
(2 Per Remote Box) Optional mounting for hard ceiling installs (X3, X7)



**X7 DETAIL MUD-OVER FLANGE**



# Gaze | Pendant, Surface & Wall

## Soft Edge, Square

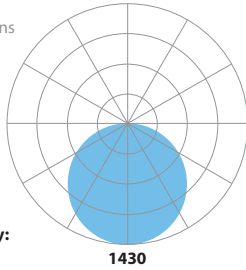


PRUDENTIAL LTG.

PRULITE.COM 213.746.0360

### D1 — DIRECT

**GAZESQ-24-LED35-MO**  
4058 Delivered Lumens  
35 Watts  
118 lm/w



**Zonal Lumen Summary:**  
0-90 (Down) = 100%

Vertical Angle	0°	25°	45°	65°	90°
0°	1430	1430	1430	1430	1430
5°	1423	1423	1422	1423	1422
15°	1372	1372	1371	1372	1371
25°	1271	1272	1271	1271	1270
35°	1126	1127	1126	1126	1125
45°	947	947	946	946	946
55°	736	736	735	735	736
65°	389	389	390	389	389
75°	206	206	206	206	206
85°	51	51	52	52	52
90°	0	0	0	0	0

### D9 DIRECT/INDIRECT ONLY (12" D9 NOT AVAILABLE EXCEPT SURS-LO)

		LO	MO	SO	HO
<b>18:</b>	lm	2100	4325	6425	8375
	w	20.5	42	65	89
<b>24:</b>	lm	2750	5475	8075	10500
	w	26.5	53	82	110

### LUMEN MAINTENANCE

**L70** — 200,000+ Hours  
**L90** — 100,000+ Hours  
( LO, MO & SO)  
**L90** — 60,000+ Hours (HO)

**LED SYSTEM** Drivers are field replaceable.

**PROG**  
(OPTIONAL) Programmable light output. Specify desired lumens or watts per fixture.

**LABELS** CSA and ETL damp labeled and I.B.E.W. manufactured.

**MOUNTING** Surface or suspended by aircraft cables, cast aluminum canopy or stem mounted.

### ELECTRICAL

Must specify LED dimming controls. LED fixtures have constant current driver(s) with less than 20% THD when loaded to a minimum of 60%. Drivers sink a maximum of 6mA per driver. DM01 LED drivers are 0-10V dimmable and are compatible with most 0-10V wall slide dimmers and direct 0-10V analog signal dimmers. Max driver size 1.65" w x 1.25" h.

### CONSTRUCTION

**Housing** Extruded aluminum, rolled and welded, >25% PC recycled, 100% recyclable.

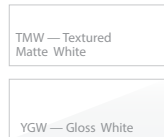
**Lens** Edge Lit Wave Guide with Secondary Acrylic Diffuser.

**Weight** 12: 9lbs 18: 21lbs 24: 28lbs

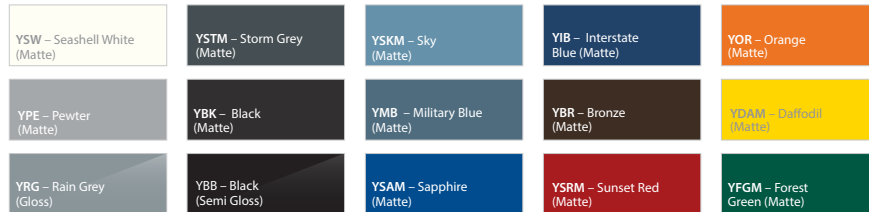
**WARRANTY** Single-source, 5 year limited warranty covers standard components and construction.

### FINISH COLORS

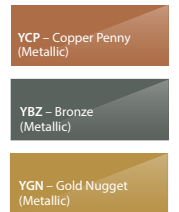
#### STANDARD:



#### PREMIUM:



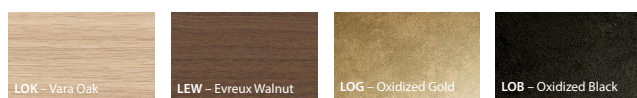
#### LUXE METALLICS:



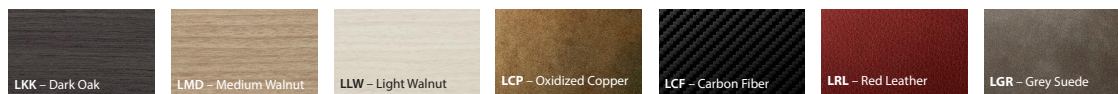
Choose from one of our Premium Colors with no set-up fee. For paint chip samples, please email: [info@prulite.com](mailto:info@prulite.com)

### LAMINATE FINISHES:

#### STANDARD:



#### SPECIAL ORDER (EXTENDED LEAD TIMES):



**NOTE:** For Laminate finishes Top Plate + Stem is YBK Matte Black except for LOK and LLW it will be TMW White.

# Gaze | Pendant, Surface & Wall

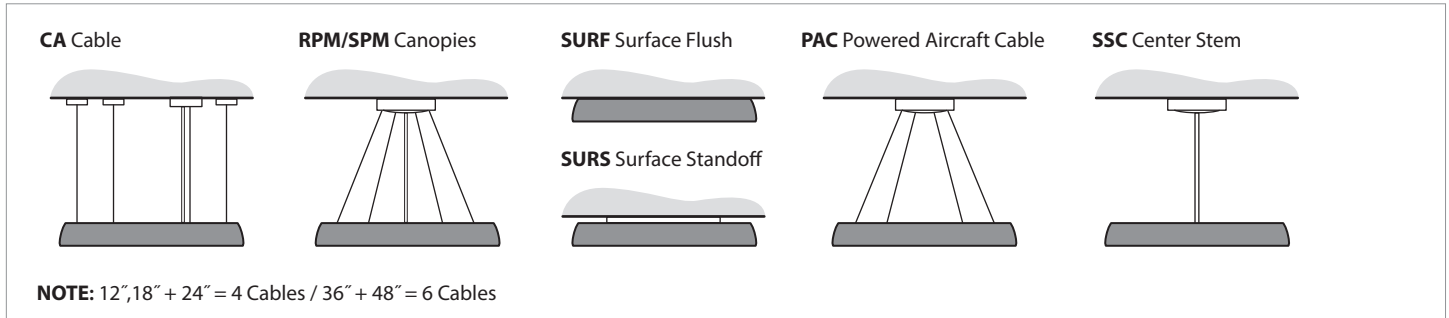
## Soft Edge, Square



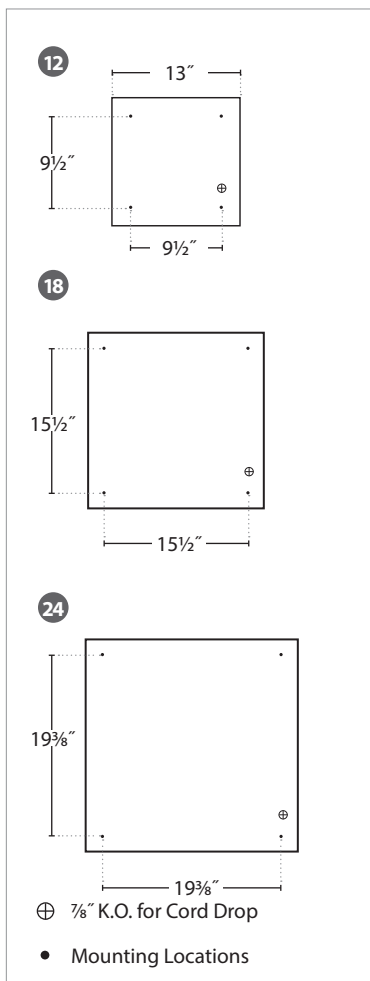
PRUDENTIAL LTG.

PRULITE.COM 213.746.0360

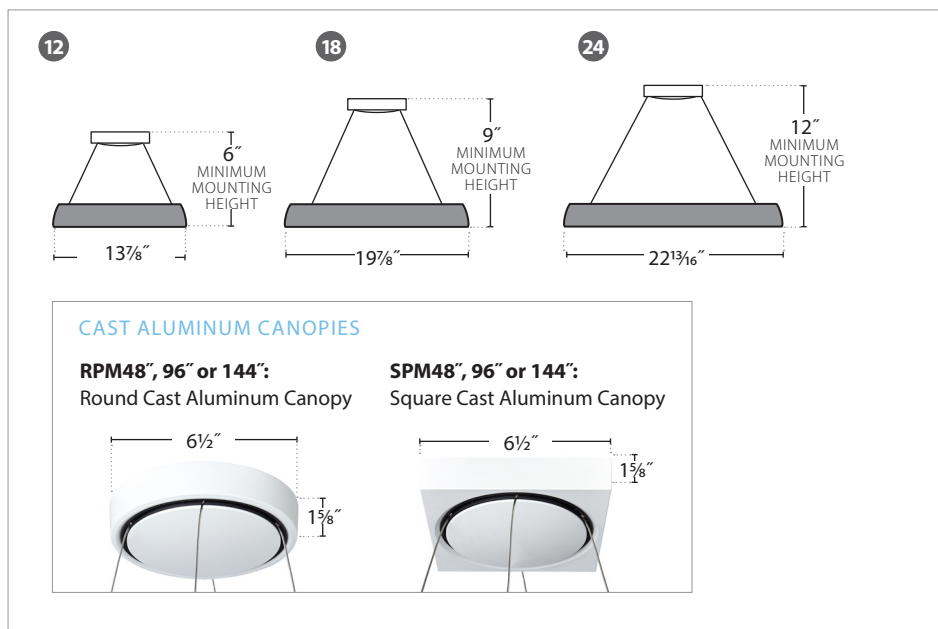
### MOUNTING OPTIONS



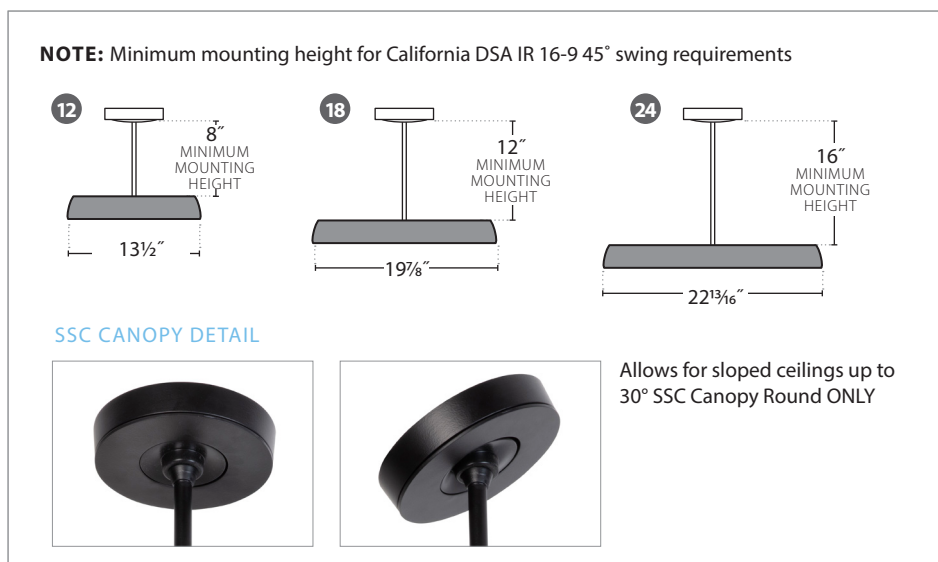
### CA CABLE MOUNTING DIMENSIONS



### RPM/SPM CANOPY MINIMUM MOUNTING HEIGHT

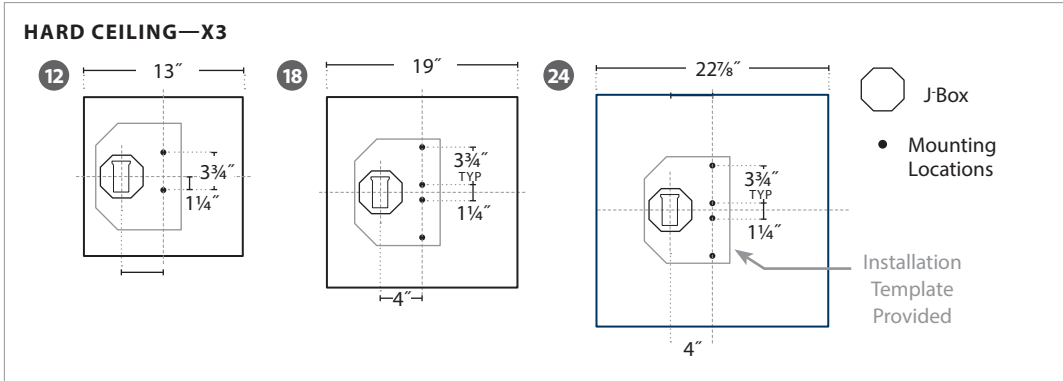


### SSC IR 16-9 MINIMUM MOUNTING HEIGHT

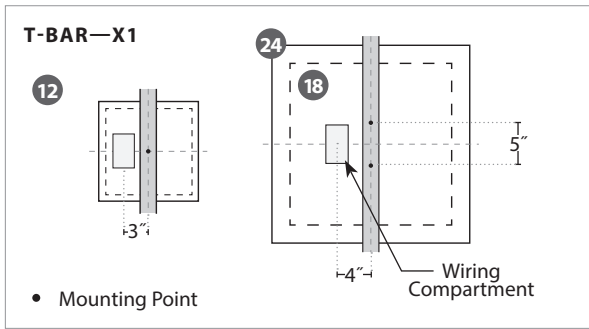




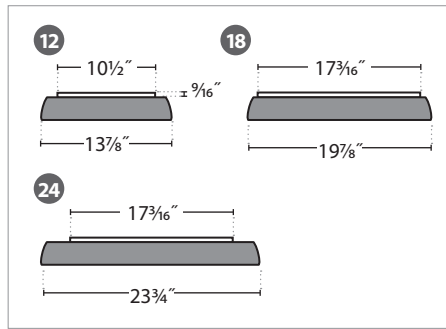
**SURFACE / SURFACE STANDOFF (CEILING OR WALL) MOUNTING DIMENSIONS**



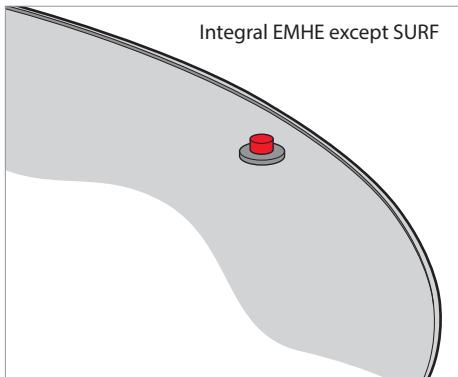
**SURFACE / SURFACE STANDOFF MOUNTING DIMENSIONS**



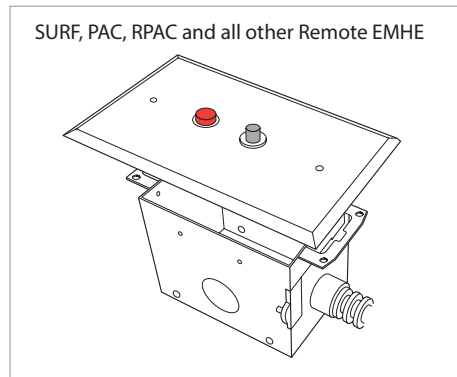
**SURFACE STANDOFF DIMENSIONS**



**EMHE TEST LIGHT**



**RTK: REMOTE TEST KIT**



# Gaze | Pendant, Surface & Wall

Soft Edge, Square

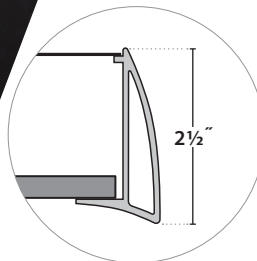


PRUDENTIAL LTG.

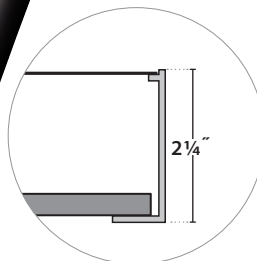
PRULITE.COM 213.746.0360



SOFT EDGE

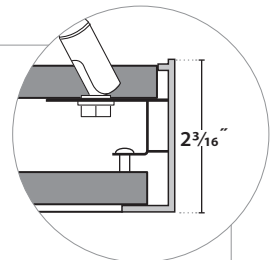


HARD EDGE

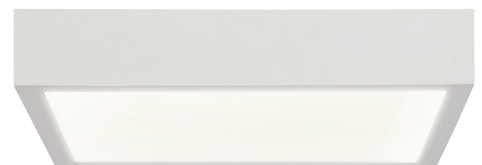


## Gaze Acoustic

Gaze Acoustic fixtures offer effective noise reduction with an intentional approach to design. Alternate with coordinating light fixtures for maximum visual appeal in open spaces.

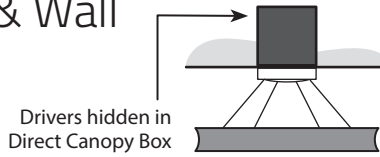


## 12" Available



# Gaze | Pendant, Surface & Wall

## Soft Edge, Square



**POWER CONFIGURATION:** POWER OVER AIRCRAFT CABLE (NO EMHE) **MOUNTING:** PAC-R/S

**REMOTE BOX TYPE:** DIRECT CANOPY MOUNT **TABLE:** SHOWS WHEN AVAILABLE AND DRIVER LIMITATIONS

DIRECT	LO	LO	LO	LO	LO	MO	MO	MO	MO	MO	SO	SO	SO	SO	SO	HO	HO	HO	HO	HO	
INDIRECT	—	LO	MO	SO	HO	—	LO	MO	SO	HO	—	LO	MO	SO	HO	—	LO	MO	SO	HO	
12	✓	✓	✓	✓	✓	✓	✓	✓	✓	✓	✓	✓	✓	✓	✓	✓	✓	✓	✓	✓	✓
18	✓	✓	✓	✓	✓	✓	✓	✓	✓	✓	✓	✓	✓	✓	✓	✓	—	—	—	—	—
24	✓	✓	✓	✓	✓	✓	✓	✓	✓	✓	✓	✓	✓	✓	✓	✗	—	—	✗	✗	✗

✓ AVAILABLE   ✗ NOT AVAILABLE   — AVAILABLE WITH OSRAM DRIVERS ONLY

**POWER CONFIGURATION:** EMERGENCY BATTERY **MOUNTING:** CA, RPM, SPM, SURFACE

**REMOTE BOX TYPE:** X1, X3, X7, DECO SURFACE BOX DOUBLE (DBD) **TABLE:** SHOWS WHEN REMOTE BOX IS REQUIRED AND BOX SIZE

DIRECT	LO	LO	LO	LO	LO	MO	MO	MO	MO	MO	SO	SO	SO	SO	SO	HO	HO	HO	HO	HO	
INDIRECT	—	LO	MO	SO	HO	—	LO	MO	SO	HO	—	LO	MO	SO	HO	—	LO	MO	SO	HO	
12	2'	2'	2'	2'	2'	2'	2'	2'	2'	2'	2'	2'	2'	2'	2'	2'	2'	2'	2'	2'	2'
18	2'	2'	2'	2'	2'	2'	2'	2'	2'	2'	2'	2'	2'	2'	2'	2'	2'	2'	2'	2'	2'
24	—	—	—	—	—	—	—	—	—	—	—	—	—	—	—	—	—	—	—	—	—

**POWER CONFIGURATION:** POWER OVER AIRCRAFT CABLE (NO EMHE) **MOUNTING:** RPAC-R/S

**REMOTE BOX TYPE:** X1, X3, X7, DECO SURFACE BOX DOUBLE (DBD) **TABLE:** SHOWS BOX SIZE THAT IS REQUIRED

DIRECT	LO	LO	LO	LO	LO	MO	MO	MO	MO	MO	SO	SO	SO	SO	SO	HO	HO	HO	HO	HO
INDIRECT	—	LO	MO	SO	HO	—	LO	MO	SO	HO	—	LO	MO	SO	HO	—	LO	MO	SO	HO
12	2'	N/A <sup>a</sup>	N/A <sup>a</sup>	N/A <sup>a</sup>	N/A <sup>a</sup>	2'	N/A <sup>a</sup>	N/A <sup>a</sup>	N/A <sup>a</sup>	N/A <sup>a</sup>	2'	N/A <sup>a</sup>	N/A <sup>a</sup>	N/A <sup>a</sup>	N/A <sup>a</sup>	2'	N/A <sup>a</sup>	N/A <sup>a</sup>	N/A <sup>a</sup>	N/A <sup>a</sup>
18	2'	2'	2'	2'	2'	2'	2'	2'	2'	2'	2'	2'	2'	2'	2'	2'	2'	2'	2'	2'
24	2'	2'	2'	2'	2'	2'	2'	2'	2'	2'	2'	2'	2'	2'	2'	2'	2'	2'	2'	2'

**POWER CONFIGURATION:** POWER OVER AIRCRAFT CABLE WITH EMHE **MOUNTING:** RPAC-R/S

**REMOTE BOX TYPE:** X1, X3, X7, DECO SURFACE BOX DOUBLE (DBD) **TABLE:** SHOWS BOX SIZE THAT IS REQUIRED

DIRECT	LO	LO	LO	LO	LO	MO	MO	MO	MO	MO	SO	SO	SO	SO	SO	HO	HO	HO	HO	HO	
INDIRECT	—	LO	MO	SO	HO	—	LO	MO	SO	HO	—	LO	MO	SO	HO	—	LO	MO	SO	HO	
12	2'	N/A <sup>a</sup>	N/A <sup>a</sup>	N/A <sup>a</sup>	N/A <sup>a</sup>	2'	N/A <sup>a</sup>	N/A <sup>a</sup>	N/A <sup>a</sup>	N/A <sup>a</sup>	2'	N/A <sup>a</sup>	N/A <sup>a</sup>	N/A <sup>a</sup>	N/A <sup>a</sup>	2'	N/A <sup>a</sup>	N/A <sup>a</sup>	N/A <sup>a</sup>	N/A <sup>a</sup>	
18	2'	2'	2'	2'	2'	2'	2'	2'	2'	2'	2'	2'	2'	2'	2'	2'	2'	2'	2'	2'	4'
24	2'	2'	2'	2'	2'	2'	2'	2'	2'	2'	2'	2'	2'	2'	4'	2'	2'	4'	4'	4'	

**POWER CONFIGURATION:** POWER OVER AIRCRAFT CABLE (NO EMHE) **MOUNTING:** RPAC-R/S

**REMOTE BOX TYPE:** DECO SURFACE BOX SINGLE (DBS) **TABLE:** SHOWS BOX SIZE THAT IS REQUIRED

DIRECT	LO	LO	LO	LO	LO	MO	MO	MO	MO	MO	SO	SO	SO	SO	SO	HO	HO	HO	HO	HO	
INDIRECT	—	LO	MO	SO	HO	—	LO	MO	SO	HO	—	LO	MO	SO	HO	—	LO	MO	SO	HO	
12	2'	N/A <sup>a</sup>	N/A <sup>a</sup>	N/A <sup>a</sup>	N/A <sup>a</sup>	2'	N/A <sup>a</sup>	N/A <sup>a</sup>	N/A <sup>a</sup>	N/A <sup>a</sup>	2'	N/A <sup>a</sup>	N/A <sup>a</sup>	N/A <sup>a</sup>	N/A <sup>a</sup>	2'	N/A <sup>a</sup>	N/A <sup>a</sup>	N/A <sup>a</sup>	N/A <sup>a</sup>	
18	2'	2'	2'	2'	2'	2'	2'	2'	2'	2'	2'	2'	2'	2'	2'	2'	2'	2'	2'	2'	4'
24	2'	2'	2'	2'	2'	2'	2'	2'	2'	2'	2'	2'	2'	2'	4'	2'	2'	4'	4'	4'	

**POWER CONFIGURATION:** POWER OVER AIRCRAFT CABLE (WITH EMHE) **MOUNTING:** RPAC-R/S

**REMOTE BOX TYPE:** DECO SURFACE BOX SINGLE (DBS) **TABLE:** SHOWS BOX SIZE THAT IS REQUIRED

DIRECT	LO	LO	LO	LO	LO	MO	MO	MO	MO	MO	SO	SO	SO	SO	SO	HO	HO	HO	HO	HO
INDIRECT	—	LO	MO	SO	HO	—	LO	MO	SO	HO	—	LO	MO	SO	HO	—	LO	MO	SO	HO
12	4'	N/A <sup>a</sup>	N/A <sup>a</sup>	N/A <sup>a</sup>	N/A <sup>a</sup>	4'	N/A <sup>a</sup>	N/A <sup>a</sup>	N/A <sup>a</sup>	N/A <sup>a</sup>	4'	N/A <sup>a</sup>	N/A <sup>a</sup>	N/A <sup>a</sup>	N/A <sup>a</sup>	4'	N/A <sup>a</sup>	N/A <sup>a</sup>	N/A <sup>a</sup>	N/A <sup>a</sup>
18	4'	4'	4'	4'	4'	4'	4'	4'	4'	4'	4'	4'	4'	4'	4'	4'	4'	4'	4'	N/A
24	4'	4'	4'	4'	4'	4'	4'	4'	4'	4'	4'	4'	4'	4'	N/A <sup>c</sup>	4'	4'	N/A <sup>c</sup>	N/A <sup>c</sup>	N/A <sup>c</sup>

N/A<sup>a</sup> — Indirect Not Available

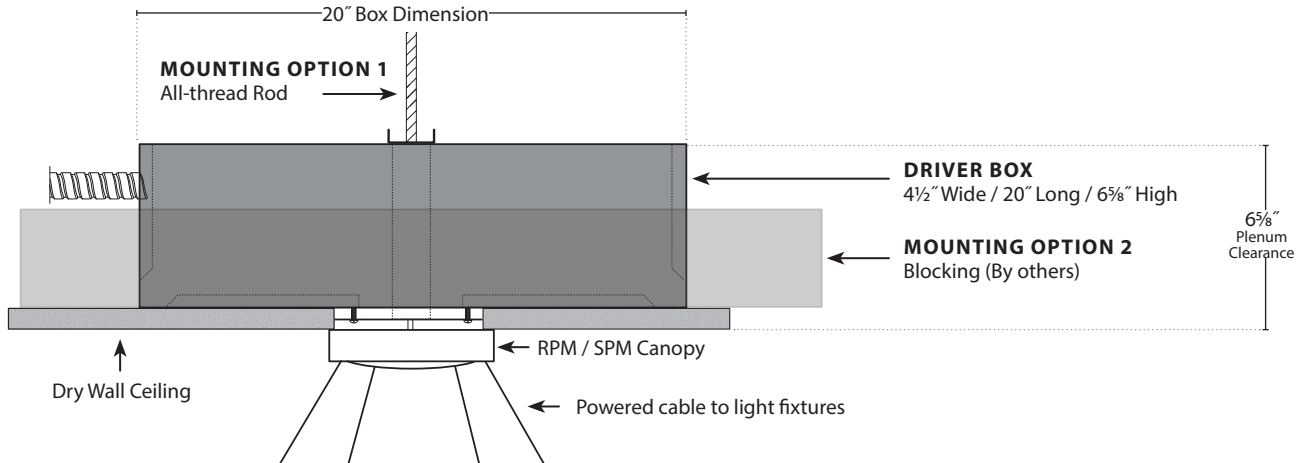
N/A<sup>b</sup> — Exceeds Number of Drivers Allowed for RPAC

N/A<sup>c</sup> — Exceeds Amperage Allowed for this Configuration

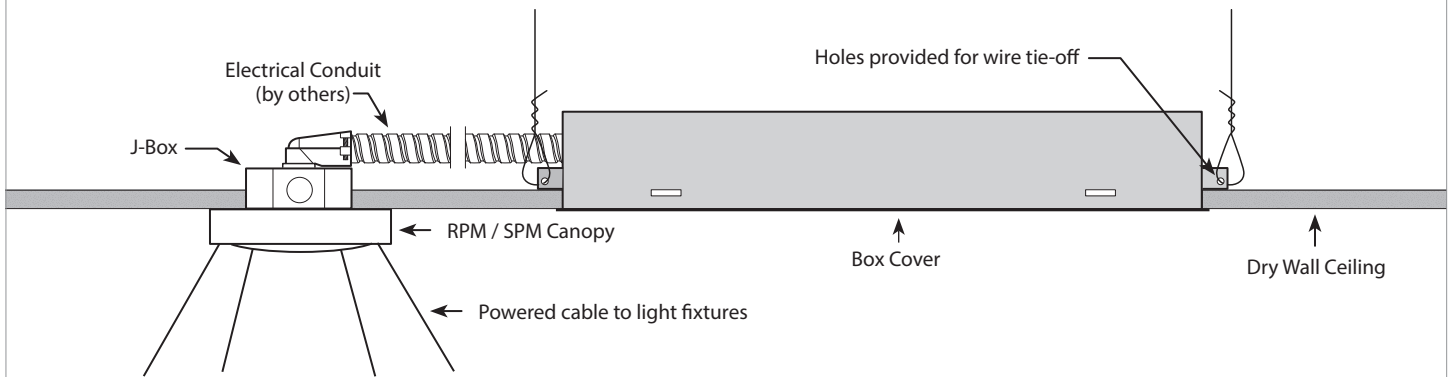


## PACS AND RPACR CROSS SECTIONS

### DIRECT CANOPY MOUNT (PAC) Canopy Driver Box — Driver access behind canopy

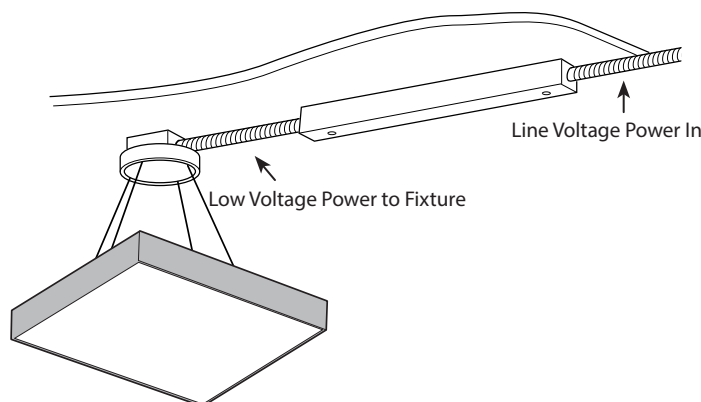


### REMOTE (RPAC - X7, X3, X1): Remote Driver Box — Remote access required

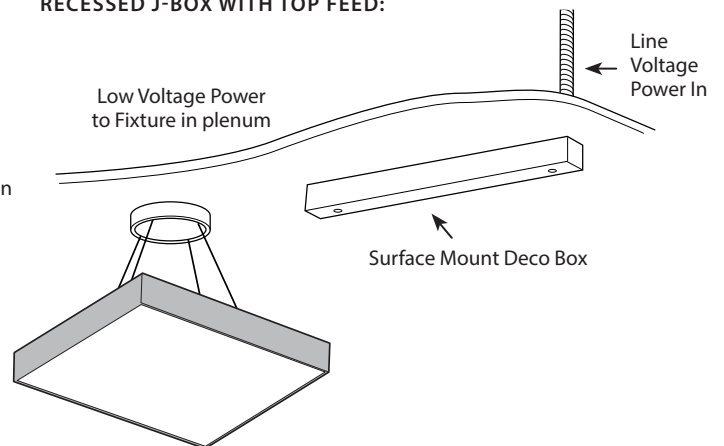


## DECO BOX DETAIL (DBS OR DBD)

### SURFACE MOUNT J-BOX WITH SIDE FEED:



### RECESSED J-BOX WITH TOP FEED:



# Gaze | Pendant, Surface & Wall

## Soft Edge, Square



PRUDENTIAL LTG.

PRULITE.COM 213.746.0360

### LM79 & TM30 DATA:

	MEASURED CCT	MEASURED LUMENS	CRI	R9	DuV	SPD	TM30 — COLOR VECTOR	TM30 — COLOR DISTORTION
<b>LED27</b>	2680	80%	93	58	0.001		 89 Rf	 97 Rg
<b>LED3</b>	3042	95%	82	6	0.001		 81 Rf	 92 Rg
<b>LED3-90</b>	3016	85%	93	61	0.000		 88 Rf	 96 Rg
<b>LED35</b>	3482	100%	82	3	0.002		 81 Rf	 92 Rg
<b>LED35-90</b>	3417	85%	93	67	0.000		 88 Rf	 96 Rg
<b>LED4</b>	3952	102%	82	4	0.003		 81 Rf	 92 Rg
<b>LED4-90</b>	3882	85%	92	67	0.003		 87 Rf	 96 Rg
<b>LED5-90</b>	4889	85%	94	84	0.002		 86 Rf	 95 Rg