

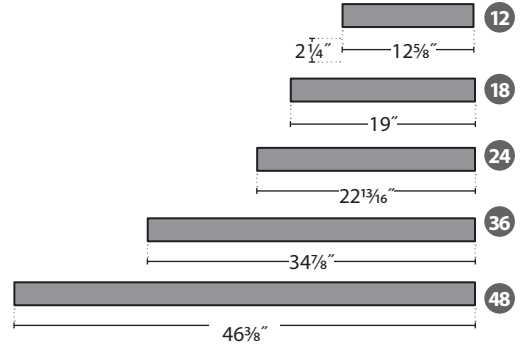
Gaze | Pendant, Surface & Wall

Hard Edge, Round



PRUDENTIAL LTG.

PRULITE.COM 213.746.0360



LAMINATE FINISH OPTIONS



SPOOL



SOFT EDGE

CLICK TO LEARN MORE

SINGLE STEM (SSC)



Lumen output may vary +/- 5% 3500K used for lm/ft estimates above 4000K +2% llf, 3000K -2%, 2700K -4% -10% LLF for 90 CRI (4K, 3500K and 3K)

See LED Details PDF for more info

LUMEN OUTPUT:

D1 DIRECT	LO	MO	SO	HO
12:	lm 600	1050	1450	2000
	w 7	13	18	24
18:	lm 1250	2300	3375	4450
	w 11	19	28	38
24:	lm 1700	3125	4525	5700
	w 15	27	41	53
36:	lm 4150	7450	10625	13425
	w 35	65	100	133
48:	lm 5450	8800	13350	16200
	w 47	79	127	160

D9 INDIRECT ONLY (12" D9 NOT AVAILABLE EXCEPT SURS-LO)				
	LO	MO	SO	HO
18 & 24:	lm 550	1425	2200	2825
	w 7.5	18	30	41
36 & 48:	lm 1200	2400	4800	6650
	w 16	34	69	99



Gaze Soft Edge, distinctively curved, undeniably refined.

Gaze promises smooth, even diffusion of light, and is also available in a clean Hard Edge or the elegantly soft form of Spool with a subtle 3/4" regress. Gaze Soft Edge has a 2 1/2" profile, with just a hint of regress. Round and Square.

NOTE: Combine D1 and D9 IES files or see page 3 Lumen chart



SE-RIES	SIZE	LED COLOR	OUT-PUT	FIXTURE COLOR / LAMINATE FINISH	LAMINATE CANOPY COLOR	DISTRI-BUTION	CIRCUITING	VOLT-AGE	MOUNTING	CEILING SYSTEMS	DRIVERS	OPTIONS
Gaz-RDH												
Round Hard Edge	12 18 24 36 48	LED27 2700K (90CRI) LED3 3000K LED35 3500K LED4 4000K LED3-90 90CRI LED35-90 90CRI LED4-90 90CRI LED5-90 90CRI	LO Low MO Me- dium SO Stan- dard HO High (Static White Only) PROG Pro-gram-mable Light Output (Specify desired lm or w/ fixture) NOTE: Specify separate output Down/Up if desired eg. LO/HO (Low Down, High Up)	TMW Textured Matte White (Standard) YGW Gloss White Y__ Premium Color CC__ Custom Color LUXE METALLICS: YBZ Bronze YCP Copper Penny YGN Gold Nugget NOTE: All canopies painted White (TMW) unless specified otherwise. LAMINATE FINISHES (SPECIFY CANOPY COLOR IN NEXT COLUMN =>) LOK Vara Oak LEW Evreux Walnut LOG Oxidized Gold LOB Oxidized Black L__ Special Order Laminate (EXTENDED LEAD TIMES) NOTE: For Laminate finishes Top Plate + Stem is YBK Matte Black except for LOK and LLW it will be TMW White.	(SKIP THIS COLUMN IF LAMINATE FINISH IS NOT SELECTED) TMW Textured Matte White (Standard) YGW Gloss White Y__ Premium Color CC__ Custom Color LUXE METALLICS: YBZ Bronze YCP Copper Penny YGN Gold Nugget NOTE: All canopies painted White (TMW) unless specified otherwise.	D1 Direct D9 Direct / Indirect or Semi-Direct (SURS-D9: Indirect LO Output ONLY; 12" available as SURS ONLY - MUST BE SOLO or SODA)	SC Single Circuit DC Dual Circuit (NA - 12")	UNV (120-277) 347	CA48", 96" or 144" Aircraft Cable (Adjustable) RPM 48", 96" or 144" Round Cast Aluminum Canopy SPM 48", 96" or 144" Square Cast Aluminum Canopy SURF Surface Flush (D1 only) SURS Surface Stand-off (SURS-D9: LO Output ONLY) PAC-R/S 96" Powered Aircraft Cable Round/Square Canopy, Direct canopy mount, X3 only (See page 8) NA with some configurations RPAC-R/S Remote Powered Aircraft Cable Round/Square Canopy (See page 8) NA with some configurations or 2 Remote Boxes may be needed. SSC Stem Center (Specify length [Length refers to actual stem length not overall length]; SSC Canopy Round ONLY; NA 12" D9) EXCPF Exposed Conduit Surface (X3 Only) EXCPS Exposed Conduit Surface Standoff (X3 Only)	X1-ON T-Bar X1-OFF T-Bar X3 Hard Ceiling	ND Non-Dimming DMO1 0-10v, 1% Dimming (Standard) LDE1 Lutron Hi-Lume 1% EcoSystem LED (Soft fade on, fade-to-black dimming) ECO 1% 0-10v, EldoLED (Logarithmic dimming std) ECDA 1% DALI, EldoLED (Logarithmic dimming std) SOLO 0.1% 0-10v, EldoLED (Dim-to-dark, Logarithmic dimming std) SODA 0.1% DALI, EldoLED (Dim-to-dark, Logarithmic dimming std)	EMHE CA T20 Emergency Battery (800 delivered lumens) 12+18: Remote ONLY RPAC-EMHE often requires T/WO Remote boxes, consult factory (See page 8) EMHE-RTK Remote EMHE with Remote Test Kit ETS-DR Iota ETS-DR Emergency Transfer Switch SENSORS: FM-105 Wattstopper H164 Hidden Frequency Occupancy Sensor (NA - 12")

SEE PAGE 2 FOR REMOTE BOX OPTIONS

Prudential Ltg. reserves the right to change design specifications or materials without notice. Please visit prulite.com for most current data.
 © 2026 All rights reserved—All products manufactured at: Prudential Lighting, 1774 E. 21st Street, Los Angeles, CA 90058.

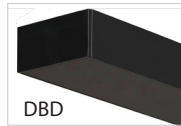
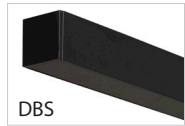


REMOTE BOX FOR RPAC — REMOTE POWER OVER AIRCRAFT CABLES

REMOTE BOX TYPE:

DBS - SINGLE

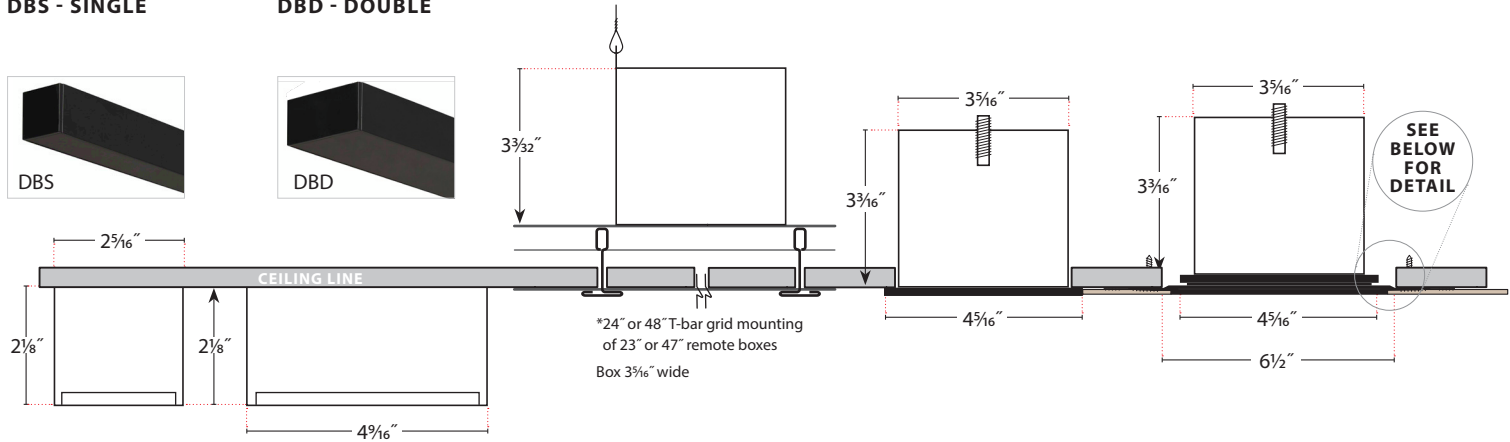
DBD - DOUBLE



X1 T-BAR REMOTE BOXES (PLENUM ACCESS)

X3 FLANGED HARD CEILING REMOTE BOXES

X7 MUD-OVER FLANGE

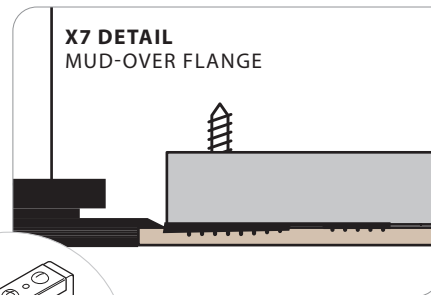
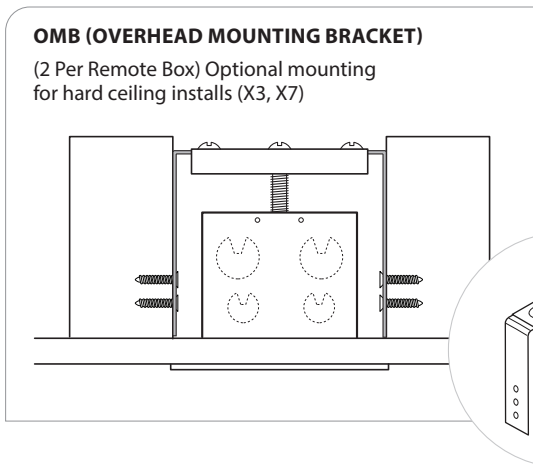


REQUIRED FOR QUOTING:

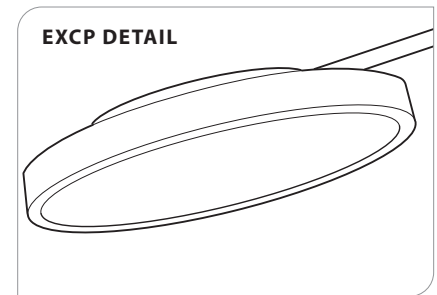
PRU WILL COMPLETE:

SERIES	REMOTE BOX TYPE	REMOTE BOX COLOR	EMERGENCY	OPTIONS	LENGTH	LINE VOLTAGE LOCATION	POWER FEED (NOT FOR X1)	MOUNTING
REMBOX						—	0	NOMT
Remote Box	DBS Deco Surface Box Single DBD Deco Surface Box Double NOTE: Double used when drivers & Emergency don't fit in Single, factory will typically determine when ordering X1 All T-Bar Ceilings X3 Hard Ceilings with Flange (Does not typically need this spec sheet filled out) X7 Hard Ceilings with Mud-over Flange	NA X1 T-bar boxes are pre-painted, DO NOT designate paint color TMW Textured Matte White (Standard) YGW Gloss White Y__ Premium Color CC Custom Color NOTE: Visible parts only	EMHE CA T20 Emergency Battery ETS-DR Iota ETS-DR Emergency Transfer Switch EMC Emergency Circuiting	OMB Overhead Mounting Bracket (X3 & X7 Only) Consult factory for Sensors installed in Remote Box	2' (Standard) 4' Custom	(DBS/DBD ONLY) LEFT: 0 RIGHT: 0 1 1 2 2 NOTE: Left is indicated by power or mount holes on cover	0	NOMT (Fixture DOES NOT mount to remote box, X1 T-Bar always NOMT)

REMOTE BOX OPTIONS



EXPOSED CONDUIT



Gaze | Pendant, Surface & Wall

Hard Edge, Round



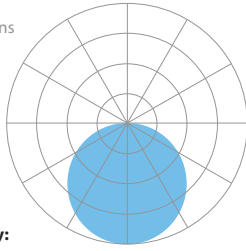
PRUDENTIAL LTG.

PRULITE.COM 213.746.0360

D1 — DIRECT

GAZERD-24-LED35-MO

3126 Delivered Lumens
27 Watts
115 lm/w



Zonal Lumen Summary:

0-90 (Down) = 100%

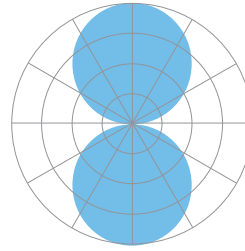
1101

Vertical Angle	0°	25°	45°	65°	90°
0°	1101	1101	1101	1101	1101
5°	1095	1095	1095	1095	1095
15°	1055	1055	1055	1055	1055
25°	979	979	979	979	979
35°	867	867	867	867	867
45°	728	728	728	728	728
55°	566	567	567	566	566
65°	389	389	390	389	389
75°	206	206	206	206	206
85°	51	51	52	52	52
90°	0	0	0	0	0

D9 — DIRECT / INDIRECT

GAZERD-36-LED35-MO-D9

9889 Delivered Lumens
99 Watts
76 lm/w



Zonal Lumen Summary:

0-90 (Down) = 76%
90-180 (Up) = 24%

2630

Vertical Angle	0°	25°	45°	65°	90°
0°	2630	2630	2630	2630	2630
5°	2618	2618	2618	2618	2618
15°	2522	2524	2523	2524	2524
25°	2338	2339	2340	2340	2339
35°	2072	2074	2074	2075	2074
45°	1741	1743	1742	1744	1743
55°	1355	1356	1356	1358	1358
65°	930	931	931	933	933
75°	488	490	490	491	491
85°	112	113	114	114	114
90°	0	0	0	0	0
95°	25	24	23	21	21
115°	230	229	235	246	248
125°	375	377	379	392	396
135°	519	524	524	529	535
145°	653	655	656	654	656
155°	757	759	760	757	756
165°	825	829	830	828	827
175°	860	862	862	861	861
180°	865	865	865	865	865

LUMEN MAINTENANCE

- L70** — 200,000+ Hours
- L90** — 100,000+ Hours (LO, MO & SO)
- L90** — 60,000+ Hours (HO)

LED SYSTEM

Drivers are field replaceable.

PROG

(OPTIONAL)

Programmable light output. Specify desired lumens or watts per fixture.

LABELS

CSA and ETL damp labeled and I.B.E.W. manufactured.

MOUNTING

Surface or suspended by aircraft cables, cast aluminum canopy or stem mounted.

ELECTRICAL

Must specify LED dimming controls. LED fixtures have constant current driver(s) with less than 20% THD when loaded to a minimum of 60%. Drivers sink a maximum of 6mA per driver. DM01 LED drivers are 0-10V dimmable and are compatible with most 0-10V wall slide dimmers and direct 0-10V analog signal dimmers. Max driver size 1.65" w x 1.25" h.

CONSTRUCTION

Housing

Extruded aluminum, rolled and welded, >25% PC recycled, 100% recyclable.

Lens

Edge Lit Wave Guide with Secondary Acrylic Diffuser.

Weight

12: 8lbs 8: 17lbs 24: 23lbs 36: 44lbs 48: 75lbs

WARRANTY

Single-source, 5 year limited warranty covers standard components and construction.

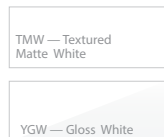
D9 DIRECT/INDIRECT ONLY

(12" D9 NOT AVAILABLE EXCEPT SURS-LO)

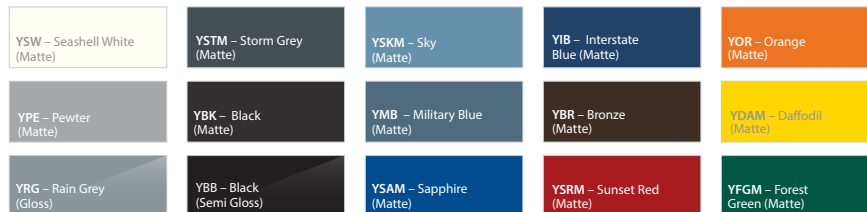
		LO	MO	SO	HO
18:	lm	1800	3725	5575	7275
	w	18.5	37	58	79
24:	lm	2250	4550	6725	8525
	w	22.5	45	71	53
36:	lm	5350	9850	15425	20075
	w	51	99	169	232
48:	lm	6650	11200	18350	22850
	w	63	113	196	259

FINISH COLORS

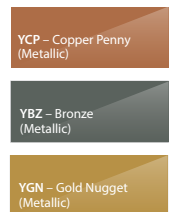
STANDARD:



PREMIUM:



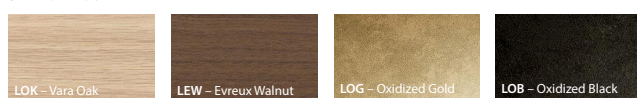
LUXE METALLICS:



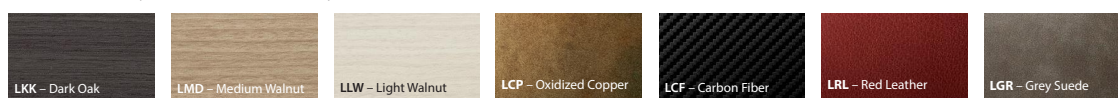
Choose from one of our Premium Colors with no set-up fee. For paint chip samples, please email: info@prulite.com

LAMINATE FINISHES:

STANDARD:



SPECIAL ORDER (EXTENDED LEAD TIMES):



NOTE: For Laminate finishes Top Plate + Stem is YBK Matte Black except for LOK and LLW it will be TMW White.

Gaze | Pendant, Surface & Wall

Hard Edge, Round

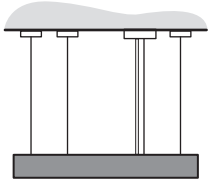


PRUDENTIAL LTG.

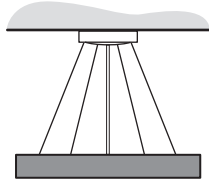
PRULITE.COM 213.746.0360

MOUNTING OPTIONS

CA Cable



RPM/SPM Canopies



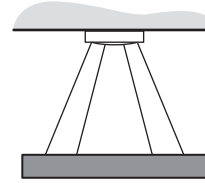
SURF Surface Flush



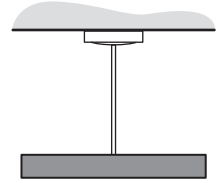
SURS Surface Standoff



PAC Powered Aircraft Cable

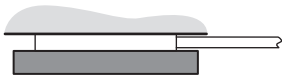


SSC Center Stem



NOTE: 12", 18" + 24" = 4 Cables / 36" + 48" = 6 Cables

EXCPF Exposed Conduit Surface



EXCPS Exposed Conduit Surface Standoff

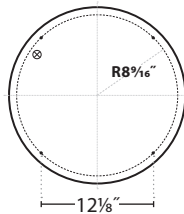


CA CABLE MOUNTING DIMENSIONS

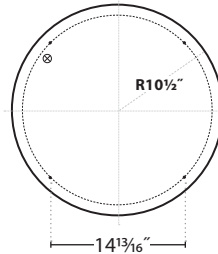
12



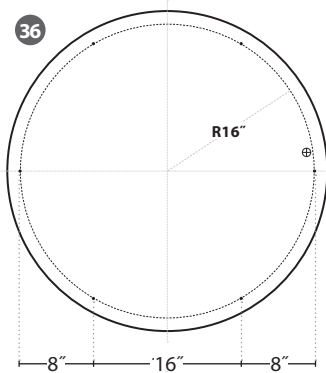
18



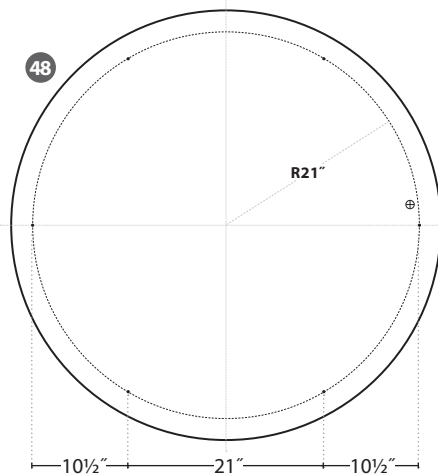
24



36



48



⊕ 7/8" K.O. for Cord Drop

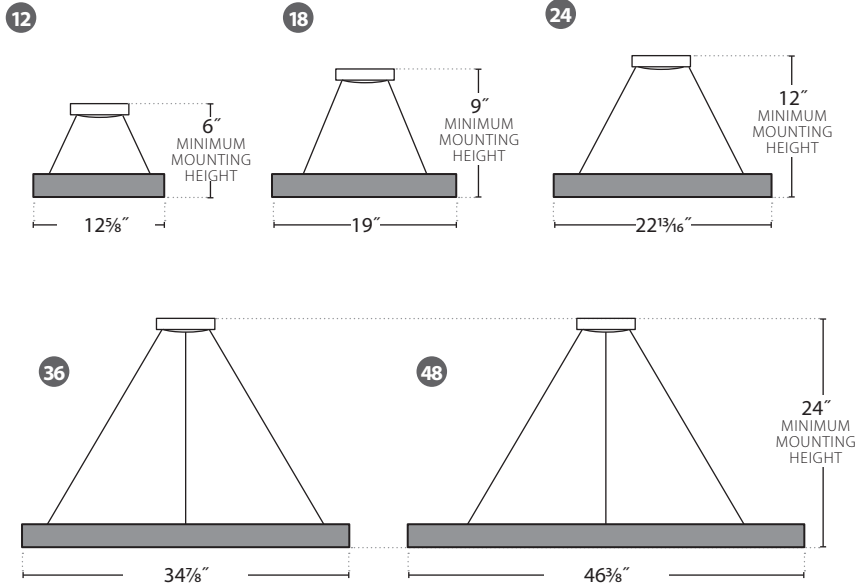
• Mounting Locations





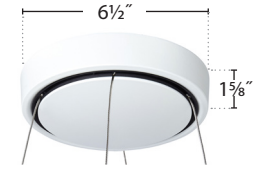
RPM/SPM CANOPY MINIMUM MOUNTING HEIGHT

HARD EDGE

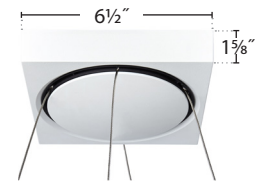


CAST ALUMINUM CANOPIES

RPM48", 96" or 144":
Round Cast Aluminum Canopy

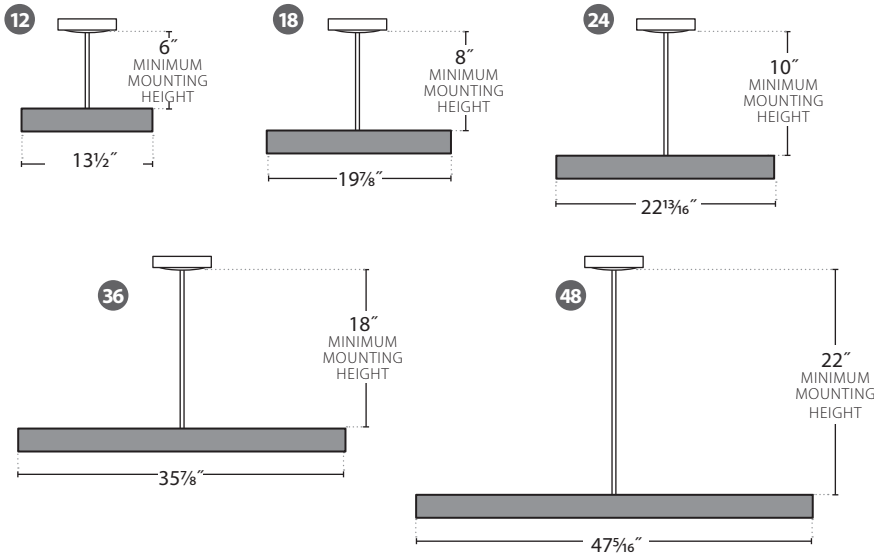


SPM48", 96" or 144":
Square Cast Aluminum Canopy



SSC IR 16-9 MINIMUM MOUNTING HEIGHT

NOTE: Minimum mounting height for California DSA IR 16-9 45° swing requirements



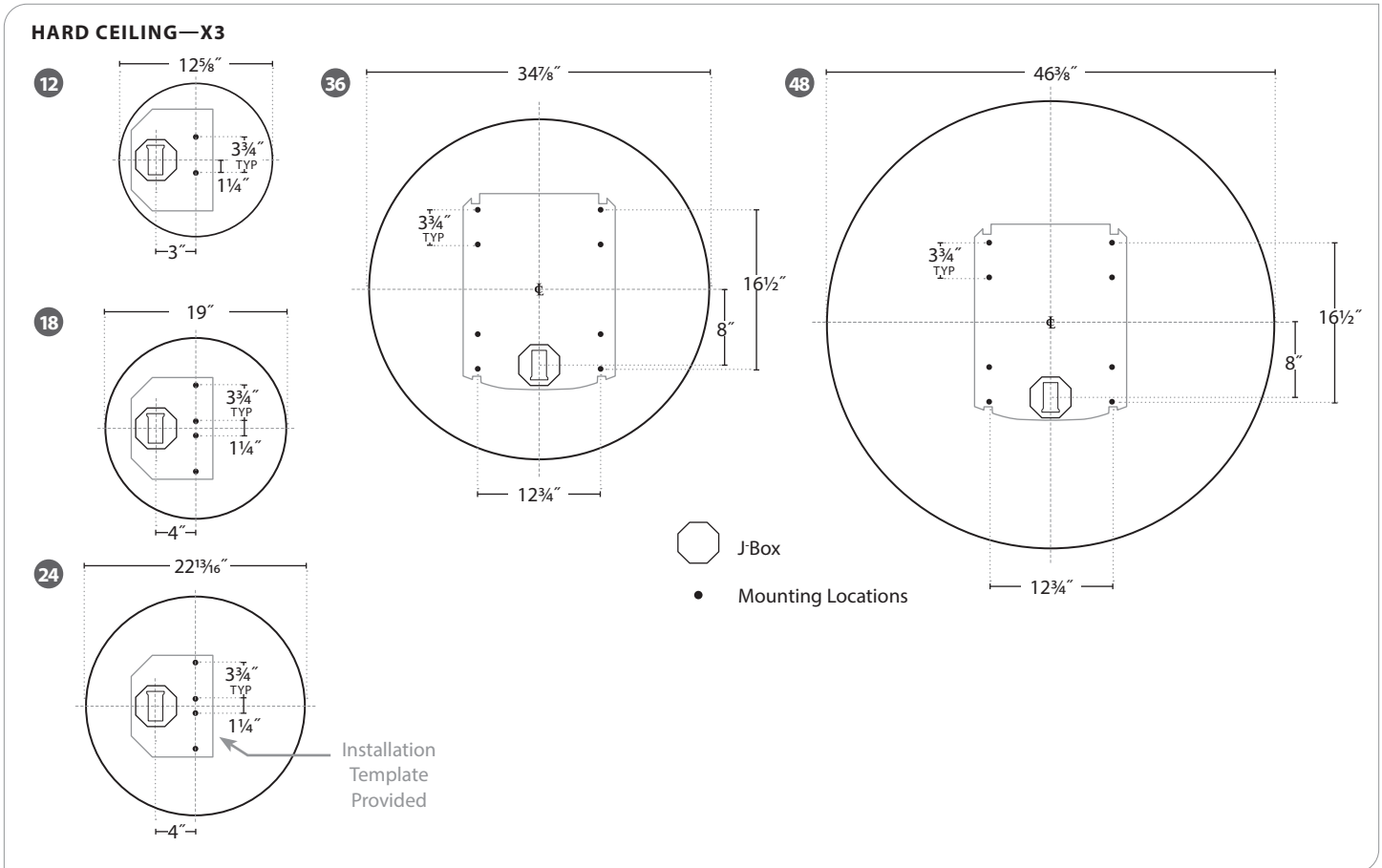
SSC CANOPY DETAIL



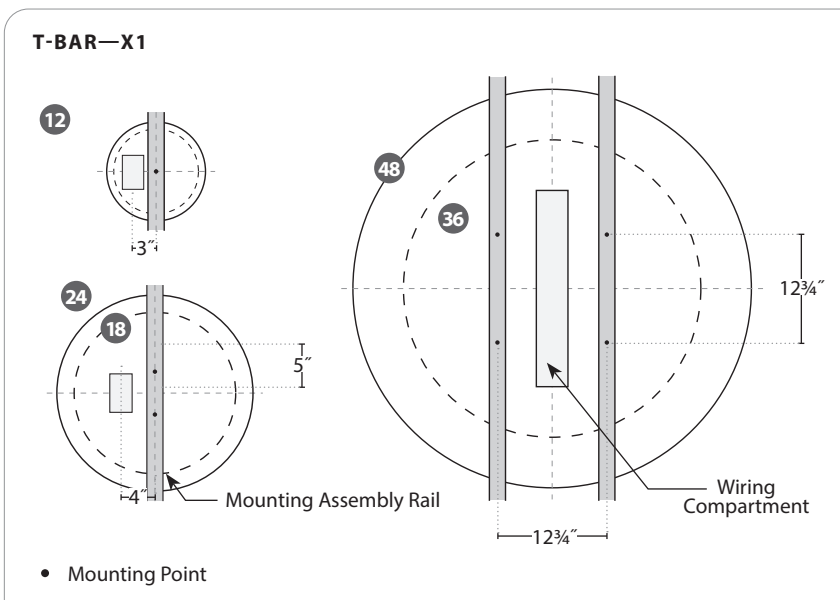
Allows for sloped ceilings up to 30°
SSC Canopy Round ONLY



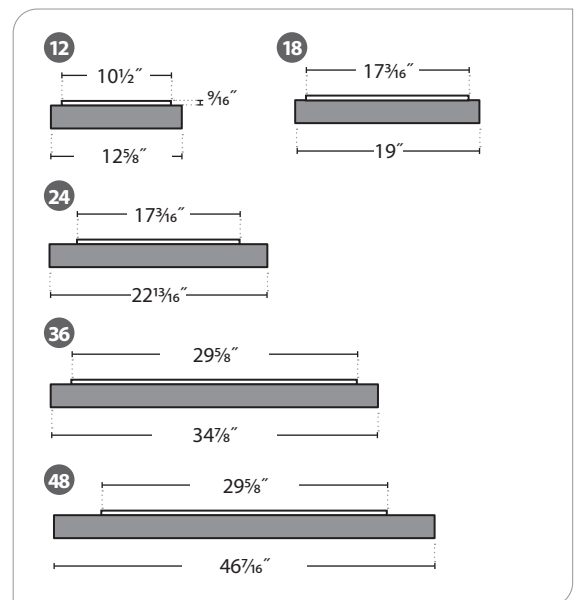
SURFACE / SURFACE STANDOFF (CEILING OR WALL) MOUNTING DIMENSIONS (SUR, SURF, EXCPF, EXCPS)



SURFACE / SURFACE STANDOFF (CEILING OR WALL) MOUNTING DIMENSIONS



SURFACE STANDOFF DIMENSIONS



Gaze | Pendant, Surface & Wall

Hard Edge, Round

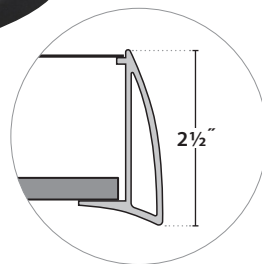


PRUDENTIAL LTG.

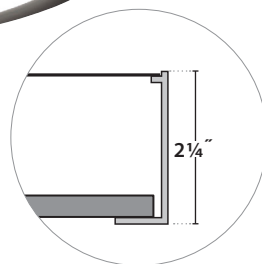
PRULITE.COM 213.746.0360



SOFT EDGE

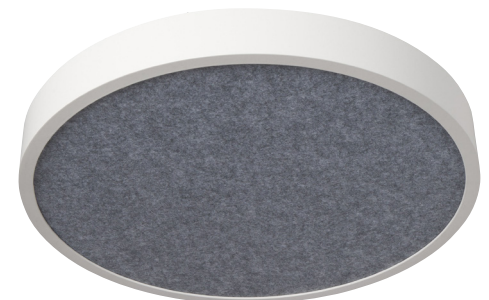
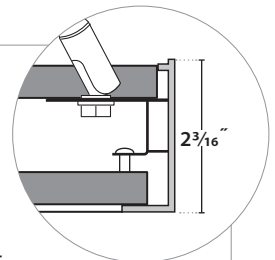


HARD EDGE



Gaze Acoustic

Gaze Acoustic fixtures offer effective noise reduction with an intentional approach to design. Alternate with coordinating light fixtures for maximum visual appeal in open spaces.



12" Available



Gaze | Pendant, Surface & Wall

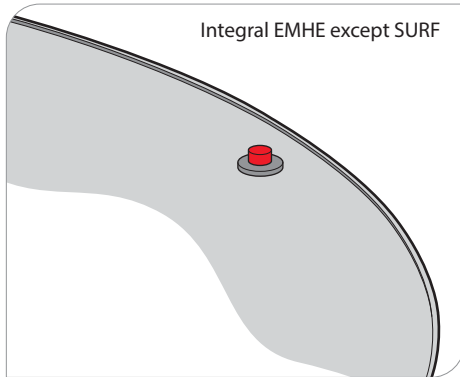
Hard Edge, Round



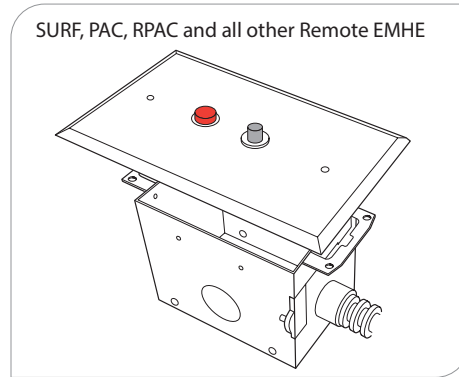
PRUDENTIAL LTG.

PRULITE.COM 213.746.0360

EMHE TEST LIGHT

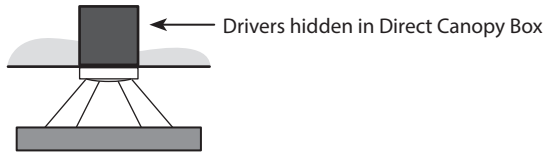


RTK: REMOTE TEST KIT



Gaze | Pendant, Surface & Wall

Hard Edge, Round



POWER CONFIGURATION: POWER OVER AIRCRAFT CABLE (NO EMHE) **MOUNTING:** PAC-R/S

REMOTE BOX TYPE: DIRECT CANOPY MOUNT **TABLE:** SHOWS WHEN AVAILABLE AND DRIVER LIMITATIONS

DIRECT	LO	LO	LO	LO	LO	MO	MO	MO	MO	MO	SO	SO	SO	SO	SO	HO	HO	HO	HO	HO	
INDIRECT	—	LO	MO	SO	HO	—	LO	MO	SO	HO	—	LO	MO	SO	HO	—	LO	MO	SO	HO	
12	✓	✓	✓	✓	✓	✓	✓	✓	✓	✓	✓	✓	✓	✓	✓	✓	✓	✓	✓	✓	✓
18	✓	✓	✓	✓	✓	✓	✓	✓	✓	✓	✓	✓	✓	✓	✓	✓	✓	✓	✓	✓	✓
24	✓	✓	✓	✓	✓	✓	✓	✓	✓	✓	✓	✓	✓	✓	✓	✓	—	—	—	—	—
36	✓	✓	✓	✓	✓	✓	—	—	—	—	✗	✗	✗	✗	✗	✗	✗	✗	✗	✗	✗
48	✓	✓	✓	—	✗	✓	—	—	—	—	✗	✗	✗	✗	✗	✗	✗	✗	✗	✗	✗

✓ AVAILABLE
✗ NOT AVAILABLE
— AVAILABLE WITH OSRAM DRIVERS ONLY

POWER CONFIGURATION: EMERGENCY BATTERY **MOUNTING:** CA, RPM, SPM, SURFACE

REMOTE BOX TYPE: X1, X3, X7, DECO SURFACE BOX DOUBLE (DBD) **TABLE:** SHOWS WHEN REMOTE BOX IS REQUIRED AND BOX SIZE

DIRECT	LO	LO	LO	LO	LO	MO	MO	MO	MO	MO	SO	SO	SO	SO	SO	HO	HO	HO	HO	HO	
INDIRECT	—	LO	MO	SO	HO	—	LO	MO	SO	HO	—	LO	MO	SO	HO	—	LO	MO	SO	HO	
12	2'	2'	2'	2'	2'	2'	2'	2'	2'	2'	2'	2'	2'	2'	2'	2'	2'	2'	2'	2'	2'
18	2'	2'	2'	2'	2'	2'	2'	2'	2'	2'	2'	2'	2'	2'	2'	2'	2'	2'	2'	2'	2'
24	—	—	—	—	—	—	—	—	—	—	—	—	—	—	—	—	—	—	—	—	—
36	—	—	—	—	—	—	—	—	—	—	—	—	—	—	—	—	—	—	—	—	—
48	—	—	—	—	—	—	—	—	—	—	—	—	—	—	—	—	—	—	—	—	—

POWER CONFIGURATION: POWER OVER AIRCRAFT CABLE (NO EMHE) **MOUNTING:** RPAC-R/S

REMOTE BOX TYPE: X1, X3, X7, DECO SURFACE BOX DOUBLE (DBD) **TABLE:** SHOWS BOX SIZE THAT IS REQUIRED

DIRECT	LO	LO	LO	LO	LO	MO	MO	MO	MO	MO	SO	SO	SO	SO	SO	HO	HO	HO	HO	HO	
INDIRECT	—	LO	MO	SO	HO	—	LO	MO	SO	HO	—	LO	MO	SO	HO	—	LO	MO	SO	HO	
12	2'	N/A ^a	N/A ^a	N/A ^a	N/A ^a	2'	N/A ^a	N/A ^a	N/A ^a	N/A ^a	2'	N/A ^a	N/A ^a	N/A ^a	N/A ^a	2'	N/A ^a	N/A ^a	N/A ^a	N/A ^a	N/A ^a
18	2'	2'	2'	2'	2'	2'	2'	2'	2'	2'	2'	2'	2'	2'	2'	2'	2'	2'	2'	2'	2'
24	2'	2'	2'	2'	2'	2'	2'	2'	2'	2'	2'	2'	2'	2'	2'	2'	2'	2'	2'	2'	2'
36	2'	2'	2'	2'	2'	2'	2'	2'	4'	4'	2'	2'	2'	4'	N/A ^b	2'	4'	4'	4'	4'	N/A ^b
48	2'	2'	2'	2'	4'	2'	2'	2'	4'	4'	2'	N/A ^b	N/A ^b	N/A ^b	N/A ^b	4'	N/A ^b	N/A ^b	N/A ^b	N/A ^b	N/A ^b

POWER CONFIGURATION: POWER OVER AIRCRAFT CABLE WITH EMHE **MOUNTING:** RPAC-R/S

REMOTE BOX TYPE: X1, X3, X7, DECO SURFACE BOX DOUBLE (DBD) **TABLE:** SHOWS BOX SIZE THAT IS REQUIRED

DIRECT	LO	LO	LO	LO	LO	MO	MO	MO	MO	MO	SO	SO	SO	SO	SO	HO	HO	HO	HO	HO	
INDIRECT	—	LO	MO	SO	HO	—	LO	MO	SO	HO	—	LO	MO	SO	HO	—	LO	MO	SO	HO	
12	2'	N/A ^a	N/A ^a	N/A ^a	N/A ^a	2'	N/A ^a	N/A ^a	N/A ^a	N/A ^a	2'	N/A ^a	N/A ^a	N/A ^a	N/A ^a	2'	N/A ^a	N/A ^a	N/A ^a	N/A ^a	N/A ^a
18	2'	2'	2'	2'	2'	2'	2'	2'	2'	2'	2'	2'	2'	2'	2'	2'	2'	2'	2'	2'	2'
24	2'	2'	2'	2'	2'	2'	2'	2'	2'	2'	2'	2'	2'	2'	2'	4'	2'	2'	2'	2'	4'
36	2'	2'	2'	4'	4'	2'	2'	4'	4'	4'	4'	4'	4'	N/A ^c	N/A ^b	4'	4'	4'	4'	N/A ^c	N/A ^b
48	2'	2'	2'	4'	4'	2'	4'	4'	4'	N/A ^c	4'	N/A ^c	N/A ^c	N/A ^c	N/A ^c	4'	N/A ^b	N/A ^b	N/A ^b	N/A ^b	N/A ^b

N/A^a — Indirect Not Available
N/A^b — Exceeds Number of Drivers Allowed for RPAC
N/A^c — Exceeds Amperage Allowed for this Configuration

Gaze | Pendant, Surface & Wall

Hard Edge, Round



POWER CONFIGURATION: POWER OVER AIRCRAFT CABLE (NO EMHE) **MOUNTING:** RPAC-R/S

REMOTE BOX TYPE: DECO SURFACE BOX SINGLE (DBS)

TABLE: SHOWS BOX SIZE THAT IS REQUIRED

DIRECT	LO	LO	LO	LO	LO	MO	MO	MO	MO	MO	SO	SO	SO	SO	SO	HO	HO	HO	HO	HO
INDIRECT	—	LO	MO	SO	HO	—	LO	MO	SO	HO	—	LO	MO	SO	HO	—	LO	MO	SO	HO
12	2'	N/A ^a	N/A ^a	N/A ^a	N/A ^a	2'	N/A ^a	N/A ^a	N/A ^a	N/A ^a	2'	N/A ^a	N/A ^a	N/A ^a	N/A ^a	2'	N/A ^a	N/A ^a	N/A ^a	N/A ^a
18	2'	2'	2'	2'	2'	2'	2'	2'	2'	2'	2'	2'	2'	2'	2'	2'	2'	2'	2'	2'
24	2'	2'	2'	2'	2'	2'	2'	2'	2'	2'	2'	2'	2'	2'	2'	2'	2'	2'	2'	4'
36	2'	2'	2'	4'	4'	2'	2'	4'	4'	4'	4'	4'	4'	4'	N/A ^b	4'	4'	4'	N/A ^b	N/A ^b
48	2'	2'	2'	4'	4'	2'	4'	4'	4'	4'	2'	N/A ^b	N/A ^b	N/A ^b	N/A ^b	4'	N/A ^b	N/A ^b	N/A ^b	N/A ^b

POWER CONFIGURATION: POWER OVER AIRCRAFT CABLE (WITH EMHE) **MOUNTING:** RPAC-R/S

REMOTE BOX TYPE: DECO SURFACE BOX SINGLE (DBS)

TABLE: SHOWS BOX SIZE THAT IS REQUIRED

DIRECT	LO	LO	LO	LO	LO	MO	MO	MO	MO	MO	SO	SO	SO	SO	SO	HO	HO	HO	HO	HO
INDIRECT	—	LO	MO	SO	HO	—	LO	MO	SO	HO	—	LO	MO	SO	HO	—	LO	MO	SO	HO
12	4'	N/A ^a	N/A ^a	N/A ^a	N/A ^a	4'	N/A ^a	N/A ^a	N/A ^a	N/A ^a	4'	N/A ^a	N/A ^a	N/A ^a	N/A ^a	4'	N/A ^a	N/A ^a	N/A ^a	N/A ^a
18	4'	4'	4'	4'	4'	4'	4'	4'	4'	4'	4'	4'	4'	4'	4'	4'	4'	4'	4'	4'
24	4'	4'	4'	4'	4'	4'	4'	4'	4'	4'	4'	4'	4'	4'	4'	4'	4'	4'	4'	N/A ^c
36	4'	4'	4'	N/A ^c	N/A ^c	4'	4'	N/A ^c	N/A ^c	N/A ^c	N/A ^c	N/A ^c	N/A ^c	N/A ^c	N/A ^c	N/A ^c	N/A ^c	N/A ^c	N/A ^c	N/A ^b
48	4'	4'	4'	N/A ^c	N/A ^c	4'	N/A ^c	N/A ^c	N/A ^c	N/A ^c	N/A ^c	N/A ^b	N/A ^b	N/A ^b	N/A ^b	N/A ^b	N/A ^b	N/A ^b	N/A ^b	N/A ^b

N/A^a — Indirect Not Available

N/A^b — Exceeds Number of Drivers Allowed for RPAC

N/A^c — Exceeds Amperage Allowed for this Configuration

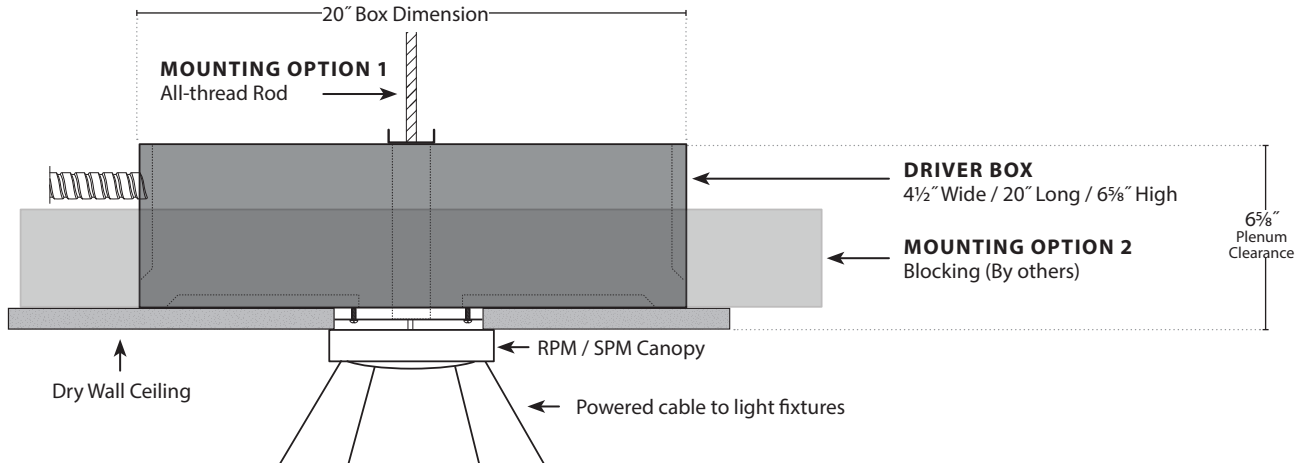
Gaze | Pendant, Surface & Wall

Hard Edge, Round

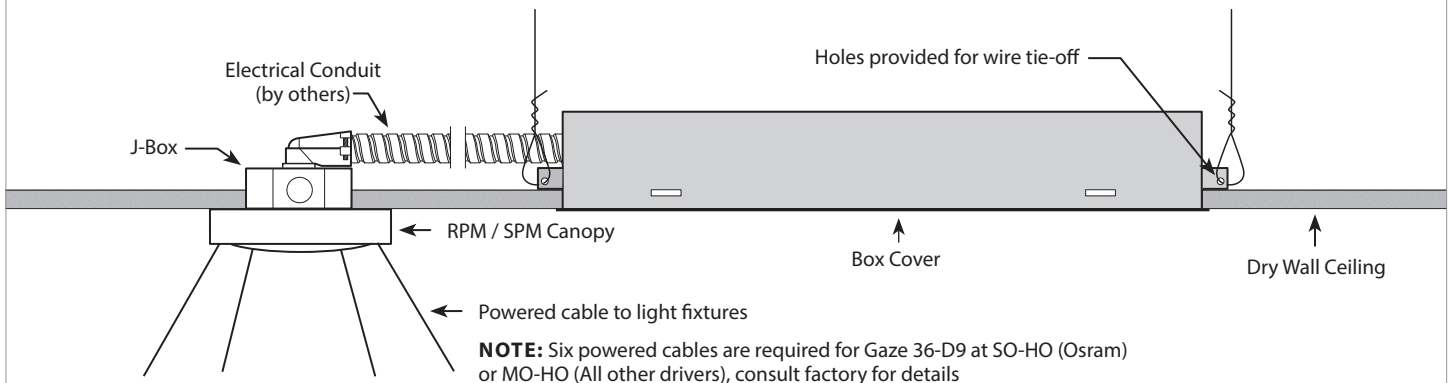


PACS AND RPACR CROSS SECTIONS

DIRECT CANOPY MOUNT (PAC) Canopy Driver Box — Driver access behind canopy

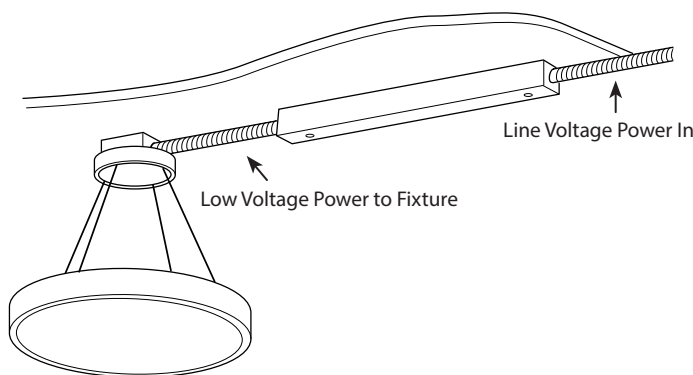


REMOTE (RPAC - X7, X3, X1): Remote Driver Box — Remote access required

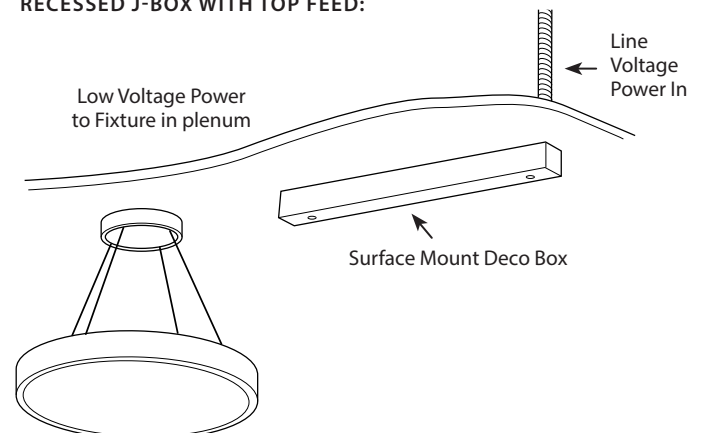


DECO BOX DETAIL (DBS OR DBD)

SURFACE MOUNT J-BOX WITH SIDE FEED:



RECESSED J-BOX WITH TOP FEED:



Gaze | Pendant, Surface & Wall

Hard Edge, Round



PRUDENTIAL LTG.

PRULITE.COM 213.746.0360

LM79 & TM30 DATA:

	MEASURED CCT	MEASURED LUMENS	CRI	R9	DuV	SPD	TM30 — COLOR VECTOR	TM30 — COLOR DISTORTION
LED27	2680	80%	93	58	0.001		89 Rf	97 Rg
LED3	3042	95%	82	6	0.001		81 Rf	92 Rg
LED3-90	3016	85%	93	61	0.000		88 Rf	96 Rg
LED35	3482	100%	82	3	0.002		81 Rf	92 Rg
LED35-90	3417	85%	93	67	0.000		88 Rf	96 Rg
LED4	3952	102%	82	4	0.003		81 Rf	92 Rg
LED4-90	3882	85%	92	67	0.003		87 Rf	96 Rg
LED5-90	4889	85%	94	84	0.002		86 Rf	95 Rg