


BoltPro Shapes-OUT | Pendant

Cable Mount










INSTALLATION INSTRUCTIONS

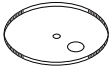


X3 — HARD CEILING

PART	PART NO.	DESCRIPTION
	—	Lens (SHIPPED INSTALLED)
	19031	Mounting Strap (X3)


PRU CABLE ASSEMBLY:

	100-00039-08	53"	
	100-00085-08	100"	Aircraft Cable
	100-00042-08	200"	
	100-00262-14	3/4 WIRE	Metal Strain Relief Bushing
	100-00264-14	5/6 WIRE	
	100-00319-14	WHITE	Threaded Bushing
	100-00316-14	BLACK	
	100-00318-14	WHITE	5/8" Universal Bushing
	100-00321-14	BLACK	
	100-00284-14		1/2" x 1 1/8" IPT Brass Threaded Nipple
	100-00239-14		1/2" IP Knurled Nut
	100-00228-14	3/4 WIRE	Plastic Strain Relief Bushing
	100-00346-14	5/6 WIRE	

CANOPIES:

	28975		5 1/2" Ø SPF Canopy (2 Hole)
	65392		5 1/2" Ø DPF Canopy (3 Hole)
	100-00006-08		5 1/2" Ø NPF Canopy (X3)

18GA SJT CORD:

	3 WIRE	4 WIRE	5 WIRE	6 WIRE
	WHITE 100-00023-09	100-00024-09	100-00912-09	100-01002-09
	WHITE 600v 100-00059-09	100-00060-09	100-00919-09	100-00604-09
	BLACK 100-00956-09	100-00025-09	100-00933-09	100-00317-09
	BLACK 600v 100-00318-09	100-00606-09	100-00457-09	100-00607-09

FOR RPM/SPM MOUNTING, SEE SEPARATE INSTALLATION SPEC

WARNING: Ground fixture in accordance with local and national electrical codes. Failure to do so may result in serious personal injury. Fixture Installations should ONLY be done by a qualified licensed electrical professional.

BoltPro Shapes-OUT | Pendant Cable Mount



PRUDENTIAL LTG.

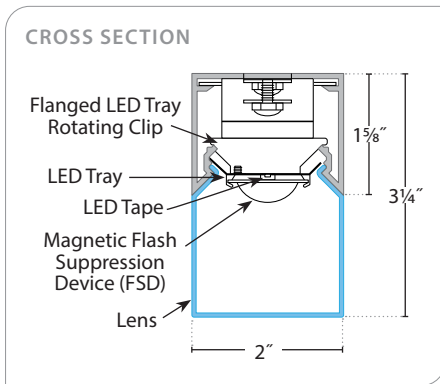
PRULITE.COM 213.746.0360

INSTALLATION INSTRUCTIONS

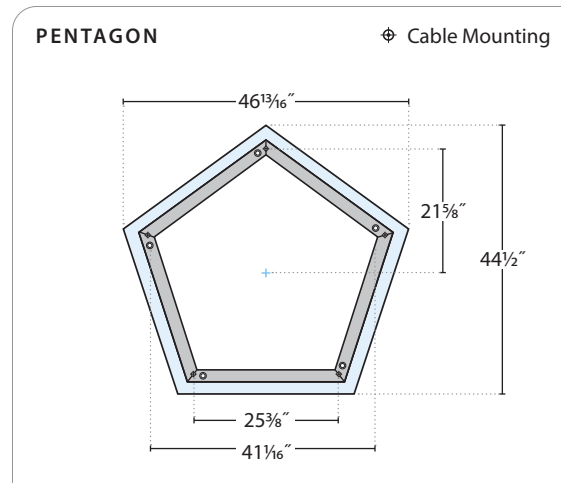
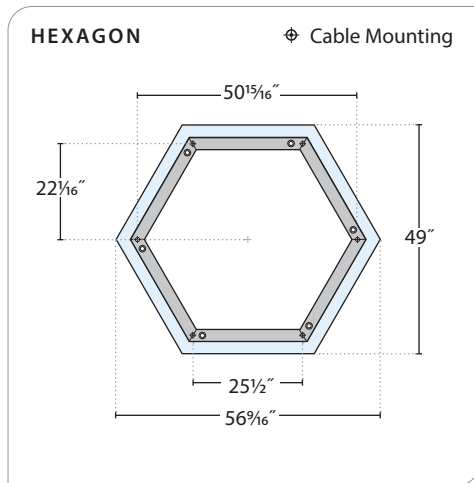
X3 — HARD CEILING

GENERAL NOTES

- Depending upon ceiling construction, structural reinforcement required at mounting locations.
- Fixture dis-assembly not required for installation.
- Power cord provided in bulk and is to be cut to length and stripped by installer unless "PIF" is specified.



MOUNTING DIMENSIONS



WARNING: Ground fixture in accordance with local and national electrical codes. Failure to do so may result in serious personal injury. Fixture Installations should ONLY be done by a qualified licensed electrical professional.

BoltPro Shapes-OUT | Pendant

Cable Mount



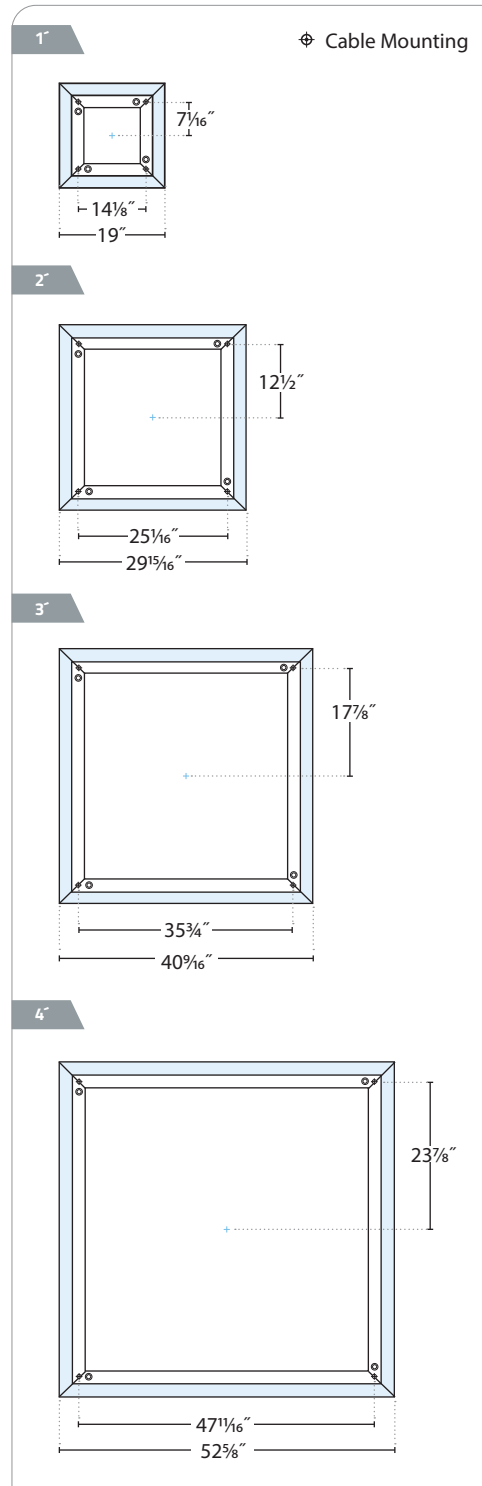
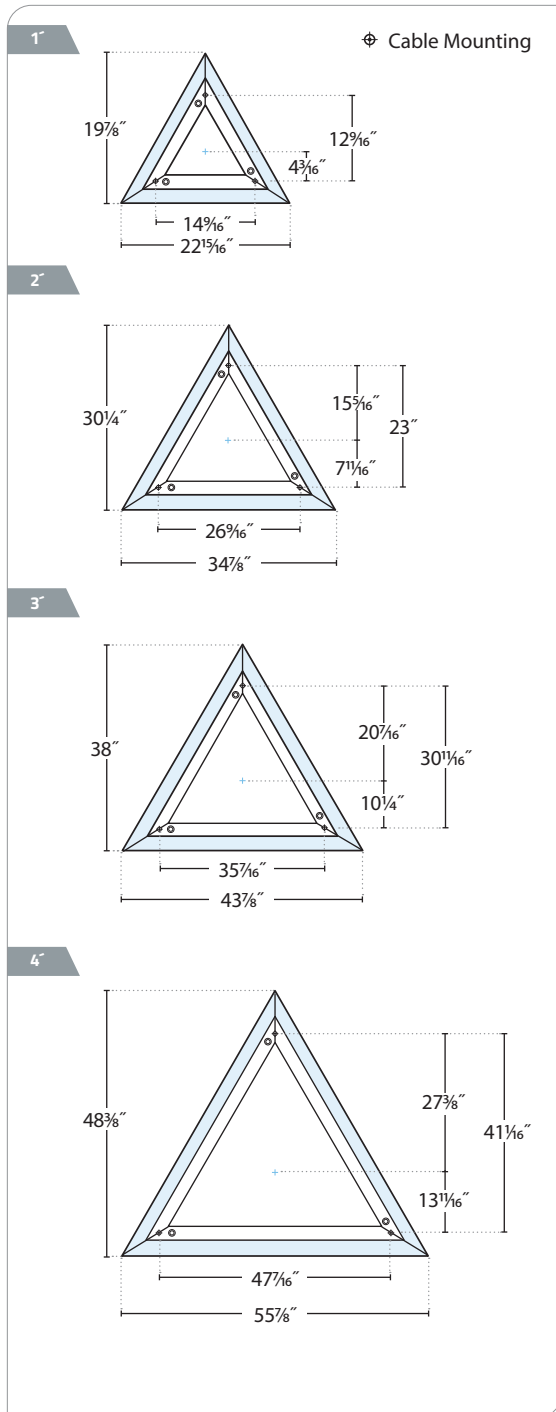
PRUDENTIAL LTG.

PRULITE.COM 213.746.0360

INSTALLATION INSTRUCTIONS

X3 — HARD CEILING

MOUNTING DIMENSIONS



WARNING: Ground fixture in accordance with local and national electrical codes. Failure to do so may result in serious personal injury. Fixture Installations should ONLY be done by a qualified licensed electrical professional.

BoltPro Shapes-OUT | Pendant Cable Mount



PRUDENTIAL LTG.

PRULITE.COM 213.746.0360

INSTALLATION INSTRUCTIONS

X3 — HARD CEILING

1. Install cable hardware on ceiling (see separate cable installation instructions).
2. Attach plastic strain relief bushing to end of power cord (figure 2).
3. Attach aircraft cables to housing by screwing the cable gripper into housing at mounting location.
4. Wire power cord to fixture wires protruding the back of fixture housing. For fixtures with internal EM drivers, **DO NOT** plug the connectors until after normal power has been applied to the fixture.
5. Secure power cord to housing by pushing cord into exposed hole until strain relief bushing snaps into place (figure 3).

FIGURE 2

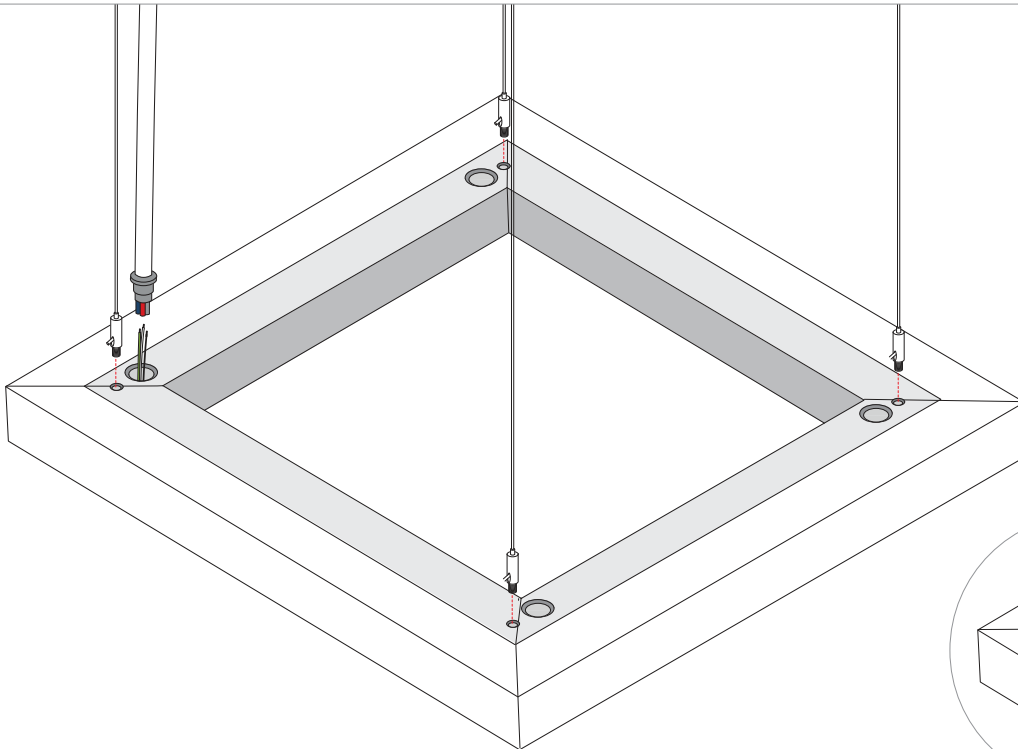


FIGURE 3

WIRING:

0-10V (+) : PURPLE	0-10V (-) : PINK
DALI (+) : PURPLE	DALI (-) : PINK
EcoSystem DALI (+) : PURPLE	EcoSystem DALI (-) : PINK
HOT : BLACK	
NEUTRAL : WHITE	
GROUND : GREEN	
CONSTANT HOT (EM) : RED	

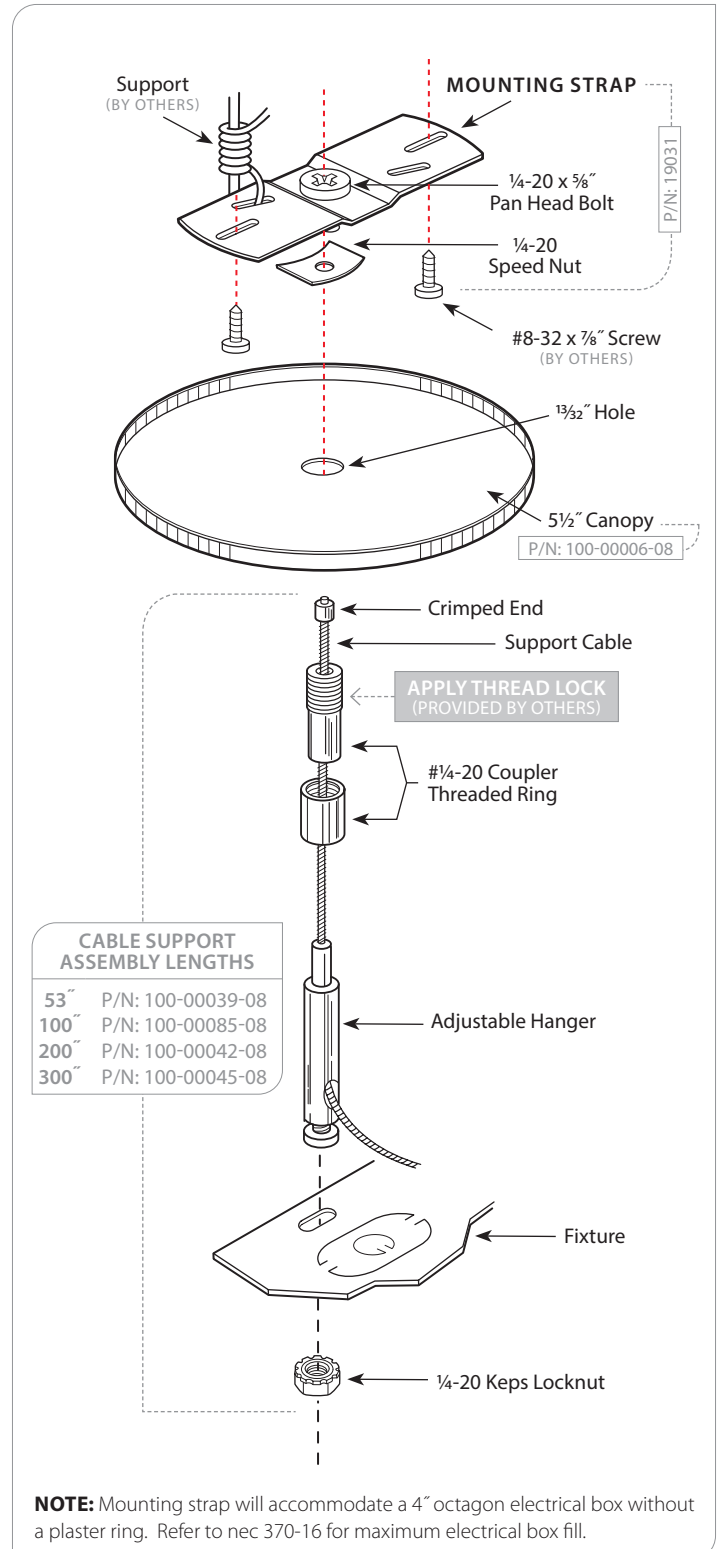
WARNING: Ground fixture in accordance with local and national electrical codes. Failure to do so may result in serious personal injury. Fixture Installations should ONLY be done by a qualified licensed electrical professional.

INSTALLATION

1. Anchor mounting straps to ceiling at cable locations. If mounting plan drawings is provided follow dimensions specified in row or pattern layout. (Contractor is to determine best anchoring hardware to be used in securing mounting strap to ceiling)
2. Insert non-crimped end of support cable through top threaded end of 1/4-20 coupling. Pull cable until crimp stops inside threaded end of coupling.
3. Push non-crimped end of cable through top (smooth end adjustable glider). Insert cable completely through glider. Glider will engage by pressing top smooth end down. Hold in place and pull back for adjustment.
4. Insert threaded barrel of adjustable glider through fixture. Securely attach glider to fixture with nutkeys lock (do not tighten with excessive force). Trim excess cable no less than 3" beyond cable outlet.
5. Unscrew threaded ring from top of 1/4-20 coupling. Insert 1/4-20 coupling through 1 3/32" dia. center hole on canopy and let threaded ring and canopy rest on fixture end. Lift coupling/cable to ceiling with fixture attached and thread 1/4-20 coupler onto strap bolt (be sure coupling is secure). Adjust cable to required distance from ceiling surface. Lift canopy against ceiling surface and secure in place with threaded ring.

NOTE: Depending on ceiling construction, reinforcement may be required at each mounting location.

CAUTION: Do not remove crimp from cable. Crimps are factory pressed onto cable for maximum strength. Prudential Lighting will not be responsible for damage or injuries which occur due to cable/crimp alterations. If different cable lengths are required, contact Prudential Lighting immediately.



WARNING: Ground fixture in accordance with local and national electrical codes. Failure to do so may result in serious personal injury. Fixture Installations should ONLY be done by a qualified licensed electrical professional.

Hard Ceiling (X3) | CAX

Adjustable Cord / Cable Support

INSTALLATION INSTRUCTIONS

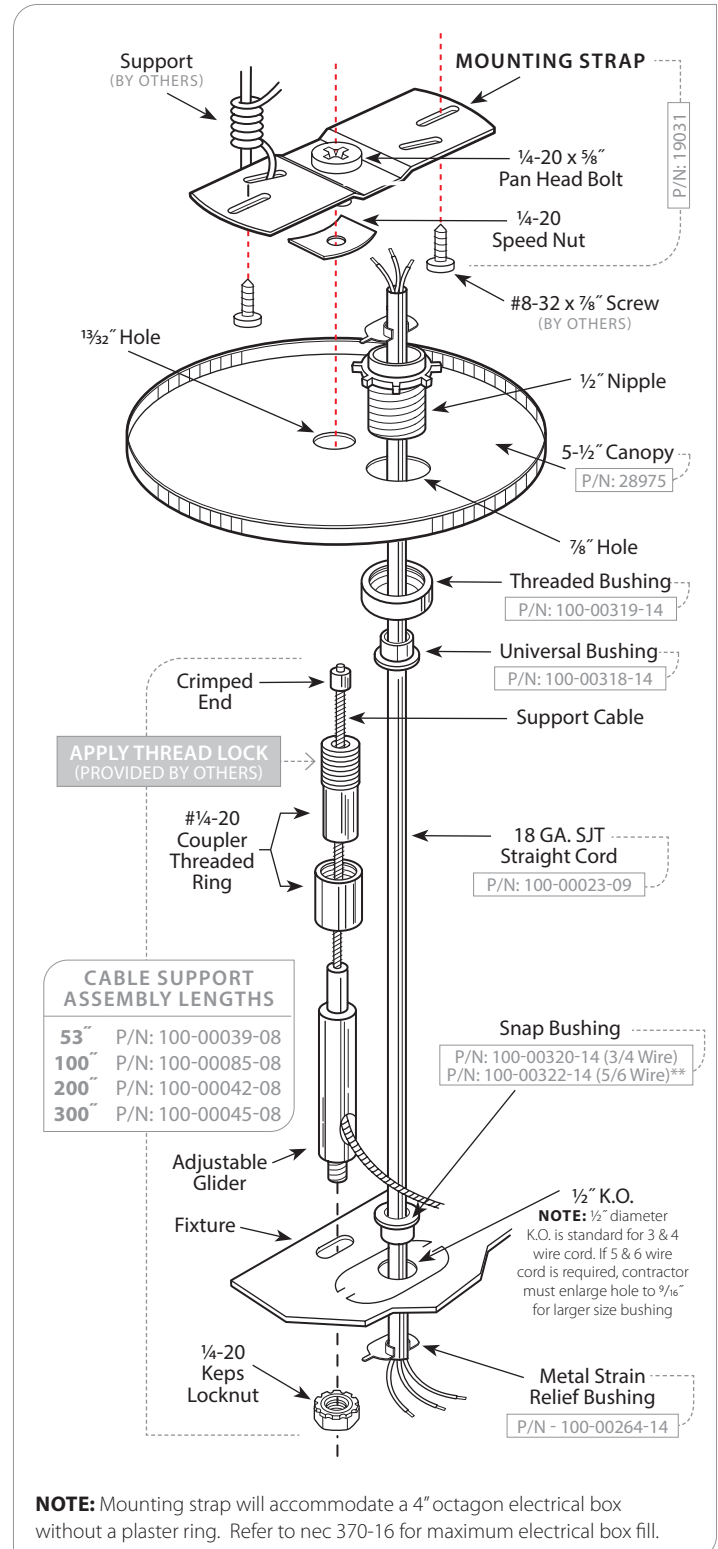
PRUDENTIAL LTG.

PRULITE.COM 213.746.0360

INSTALLATION

1. Use #8-32 x 7/8" screws (provided by others) to fasten the mounting strap to the J-box. If weight exceeds 50 pounds, reinforce mounting strap with support wire secured to structural material (support wire provided by others).
2. Insert non-crimped end of support cable through top threaded end of coupling. Pull cable until crimp stops inside threaded end of coupling, push non-crimped end of cable through top (smooth end of adjustable glider). Insert cable completely through glider. Glider will engage around cable to prevent slipping. Disengage glider by pressing top smooth end down. Hold in place and pull cable back for adjustment.
3. Insert threaded barrel of adjustable glider through fixture. Attach glider to fixture with lock washer and hex nut. (**DO NOT TIGHTEN WITH EXCESSIVE FORCE**) Trim excess cable no less than 3" beyond cable outlet.
4. Remove 1/2" round K.O. located on surface of fixture end. Contractor to field cut SJT cord at specified lengths and strip back a portion of outer insulation from one end of SJT cord (contractor to determine amount to be stripped). Insert stripped end of cord through snap bushing. Press snap bushing & cord into 1/2" round opening. Place metal strain relief bushing around cord under fixture end and crimp with pliers. Cord should be secured to fixture end. Insert top end of cord through universal bushing, and threaded bushing. Trim cord to required length and secure to canopy with strain relief through 1/2" nipple. Make all wire connection.
5. Unscrew threaded ring from top of 1/4-20 coupling. Insert 1/4-20 coupling through center hole on canopy. Apply small amount of thread lock on mounting stud. Lift coupling/canopy, and fixture to mounting strap and screw coupling to bolt (be sure coupling is secure). Adjust cable to required distance from ceiling surface.

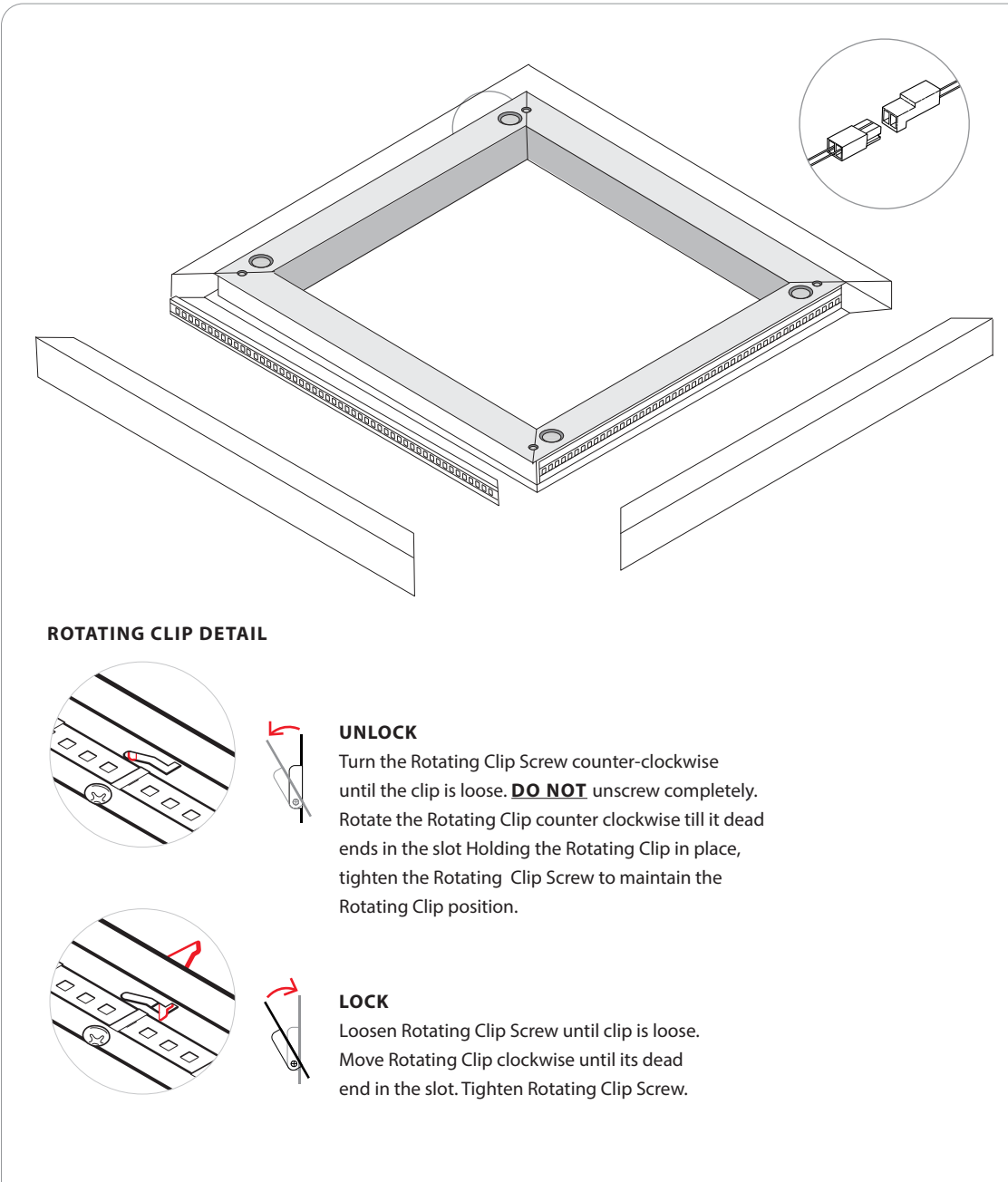
CAUTION: Do not remove crimp from cable. Crimps are factory pressed onto cable for maximum strength. Prudential Lighting will not be responsible for damage or injuries which occur due to cable/crimp alterations. If different cable lengths are required, contact Prudential Lighting immediately.



WARNING: Ground fixture in accordance with local and national electrical codes. Failure to do so may result in serious personal injury. Fixture Installations should ONLY be done by a qualified licensed electrical professional.



1. Disconnect power from fixture (for an emergency disconnect the couple as well).
2. Remove the lens.
3. Remove the LED Trays.
4. Replace LED Tray and/or driver with new part.
5. Replace lens.
6. Power Fixture.



WARNING: Ground fixture in accordance with local and national electrical codes. Failure to do so may result in serious personal injury. Fixture Installations should ONLY be done by a qualified licensed electrical professional.