

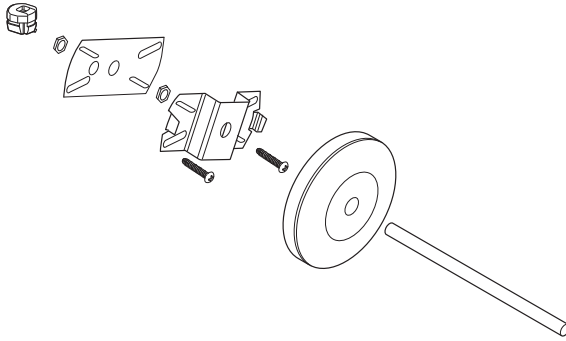


INSTALLATION INSTRUCTIONS

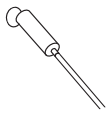
WALL MOUNT — WRM9/36

PART	PART NO.	DESCRIPTION
------	----------	-------------

SHIP KIT:



9" WALL ARM	163473	CUSTOM 6"-9"	166691
36" WALL ARM	166692	CUSTOM 10"-36"	166693



91022	MicroLinear GripLock Kit Arm
-------	------------------------------

BLANK COVER (ROWS ONLY):



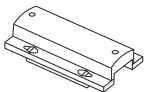
100-00128-03	Standard
--------------	----------

FINISH COLOR MATCHES FIXTURE

100-00132-03	Louver
--------------	--------



100-00375-14	18-8 SS #2 3/8" Flat Head Screw
--------------	---------------------------------



100-00491-10	Pru1 Aligner
--------------	--------------

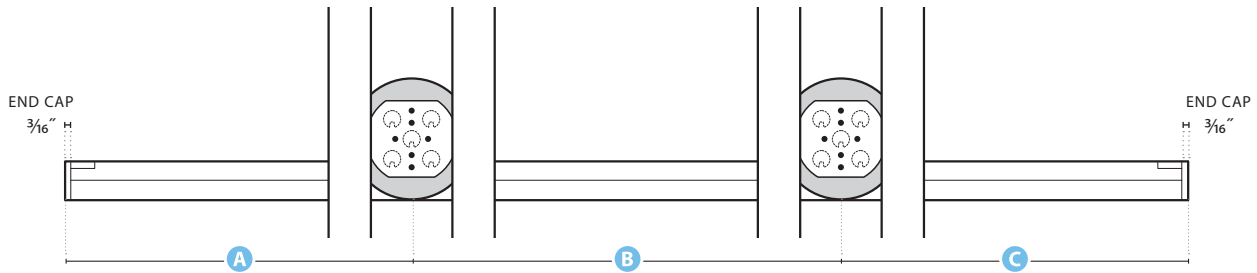
WARNING: Ground fixture in accordance with local and national electrical codes. Failure to do so may result in serious personal injury. Fixture Installations should ONLY be done by a qualified licensed electrical professional.



INSTALLATION INSTRUCTIONS

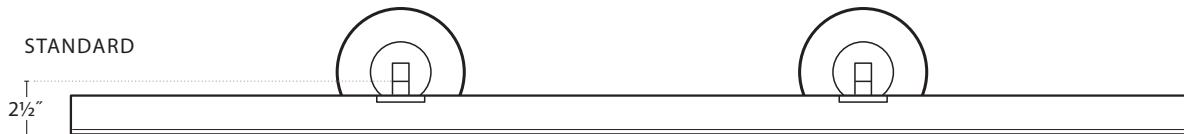
WALL MOUNT — WRM9/36

BACK VIEW

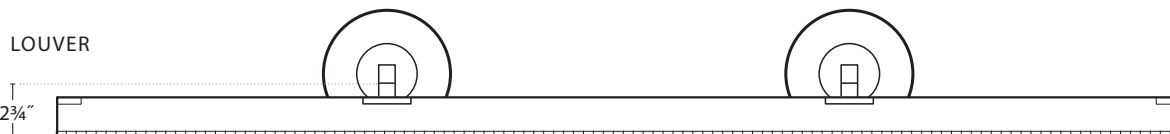


Box Length	Dim "A"	Dim "B"	Dim "C"
2' (24")	2"	20"	2"
3' (36")	8"	20"	8"
4' (48")	14"	20"	14"
5' (60")	9"	42"	9"
6' (72")	15"	42"	15"
7' (84")	21"	42"	21"
8' (96")	27"	42"	27"

FRONT VIEW



Measured from center of wall mount to bottom of fixture.



Measured from center of wall mount to bottom of fixture.

WARNING: Ground fixture in accordance with local and national electrical codes. Failure to do so may result in serious personal injury. Fixture Installations should ONLY be done by a qualified licensed electrical professional.



INSTALLATION INSTRUCTIONS

WALL MOUNT — WRM9/36

ROW FIXTURE MOUNT

STANDARD FIXTURE ROW LAYOUT

ROW LENGTH	FIXTURE ROW
9'	5+4
10'	6+4
11'	7+4
12'	8+4
13'	8+5
14'	8+6
15'	8+7
16'	8+8
17'	8+5+4
18'	8+6+4
19'	8+7+4
20'	8+8+4
21'	8+8+5
22'	8+8+6
23'	8+8+7
24'	8+8+8
25'	8+8+5+4
26'	8+8+6+4
27'	8+8+7+4
28'	8+8+8+4
29'	8+8+8+5
30'	8+8+8+6
31'	8+8+8+7
32'	8+8+8+8
33'	8+8+8+5+4
34'	8+8+8+6+4
35'	8+8+8+7+4
36'	8+8+8+8+4
37'	8+8+8+8+5
38'	8+8+8+8+6
39'	8+8+8+8+7
40'	8+8+8+8+8
41'	8+8+8+8+5+4
42'	8+8+8+8+6+4
43'	8+8+8+8+7+4
44'	8+8+8+8+8+4
45'	8+8+8+8+8+5
46'	8+8+8+8+8+6
47'	8+8+8+8+8+7
48'	8+8+8+8+8+8
49'	8+8+8+8+8+5+4
50'	8+8+8+8+8+6+4

SYMMETRIC FIXTURE ROW LAYOUT

ROW LENGTH	FIXTURE ROW
9'	3+3+3
10'	5+5
11'	4+3+4
12'	6+6
13'	4+5+4
14'	7+7
15'	5+5+5
16'	8+8
17'	6+5+6
18'	6+6+6
19'	6+7+6
20'	8+4+8
21'	8+5+8
22'	8+6+8
23'	8+7+8
24'	8+8+8
25'	6+4+5+4+6
26'	8+5+5+8
27'	6+5+5+5+6
28'	8+6+6+8
29'	8+5+3+5+8
30'	8+7+7+8
31'	8+5+5+5+8
32'	8+8+8+8
33'	8+6+5+6+8
34'	8+6+6+6+8
35'	8+7+5+7+8
36'	8+8+4+8+8
37'	8+8+5+8+8
38'	8+8+6+8+8
39'	8+8+7+8+8
40'	8+8+8+8+8
41'	8+6+4+5+4+6+8
42'	8+8+5+5+8+8
43'	8+6+5+5+5+6+8
44'	8+8+6+6+8+8
45'	8+8+5+3+5+8+8
46'	8+8+7+7+8+8
47'	8+8+5+5+5+8+8
48'	8+8+8+8+8+8
49'	8+8+6+5+6+8+8
50'	8+8+6+6+6+8+8

WARNING: Ground fixture in accordance with local and national electrical codes. Failure to do so may result in serious personal injury. Fixture Installations should ONLY be done by a qualified licensed electrical professional.



INSTALLATION INSTRUCTIONS

WALL MOUNT — WRM9/36

FIXTURE MOUNT LOCATIONS

STANDARD FIXTURE ROW LAYOUT DIMENSIONS

ROW LENGTH	DROP													
	1	2	3	4	5	6	7	8	9	10	11	12	13	14
9'	9"	51"	74"	94"	—	—	—	—	—	—	—	—	—	—
10'	15"	57"	86"	106"	—	—	—	—	—	—	—	—	—	—
11'	21"	63"	98"	118"	—	—	—	—	—	—	—	—	—	—
12'	27"	69"	110"	130"	—	—	—	—	—	—	—	—	—	—
13'	27"	69"	105"	147"	—	—	—	—	—	—	—	—	—	—
14'	27"	69"	111"	153"	—	—	—	—	—	—	—	—	—	—
15'	21"	69"	117"	159"	—	—	—	—	—	—	—	—	—	—
16'	27"	69"	123"	165"	—	—	—	—	—	—	—	—	—	—
17'	27"	69"	105"	147"	170"	190"	—	—	—	—	—	—	—	—
18'	27"	69"	111"	153"	182"	202"	—	—	—	—	—	—	—	—
19'	21"	69"	117"	159"	194"	214"	—	—	—	—	—	—	—	—
20'	27"	69"	123"	165"	206"	226"	—	—	—	—	—	—	—	—
21'	27"	69"	123"	165"	201"	243"	—	—	—	—	—	—	—	—
22'	27"	69"	123"	165"	207"	249"	—	—	—	—	—	—	—	—
23'	21"	69"	123"	165"	213"	255"	—	—	—	—	—	—	—	—
24'	27"	69"	123"	165"	219"	261"	—	—	—	—	—	—	—	—
25'	27"	69"	123"	165"	201"	243"	266"	286"	—	—	—	—	—	—
26'	27"	69"	123"	165"	207"	249"	278"	298"	—	—	—	—	—	—
27'	27"	69"	123"	165"	213"	255"	290"	310"	—	—	—	—	—	—
28'	27"	69"	123"	165"	219"	261"	302"	322"	—	—	—	—	—	—
29'	27"	69"	123"	165"	219"	261"	297"	339"	—	—	—	—	—	—
30'	27"	69"	123"	165"	219"	261"	303"	345"	—	—	—	—	—	—
31'	27"	69"	123"	165"	219"	261"	309"	351"	—	—	—	—	—	—
32'	27"	69"	123"	165"	219"	261"	315"	357"	—	—	—	—	—	—
33'	27"	69"	123"	165"	219"	261"	297"	339"	362"	382"	—	—	—	—
34'	27"	69"	123"	165"	219"	261"	303"	345"	374"	394"	—	—	—	—
35'	27"	69"	123"	165"	219"	261"	309"	351"	386"	406"	—	—	—	—
36'	27"	69"	123"	165"	219"	261"	315"	357"	398"	418"	—	—	—	—
37'	27"	69"	123"	165"	219"	261"	315"	357"	393"	435"	—	—	—	—
38'	27"	69"	123"	165"	219"	261"	315"	357"	399"	441"	—	—	—	—
39'	27"	69"	123"	165"	219"	261"	315"	357"	405"	447"	—	—	—	—
40'	27"	69"	123"	165"	219"	261"	315"	357"	411"	453"	—	—	—	—
41'	27"	69"	123"	165"	219"	261"	315"	357"	393"	435"	458"	478"	—	—
42'	27"	69"	123"	165"	219"	261"	315"	357"	399"	441"	470"	490"	—	—
43'	27"	69"	123"	165"	219"	261"	315"	357"	405"	447"	482"	502"	—	—
44'	27"	69"	123"	165"	219"	261"	315"	357"	411"	453"	494"	514"	—	—
45'	27"	69"	123"	165"	219"	261"	315"	357"	411"	453"	489"	531"	—	—
46'	27"	69"	123"	165"	219"	261"	315"	357"	411"	453"	495"	537"	—	—
47'	27"	69"	123"	165"	219"	261"	315"	357"	411"	453"	501"	543"	—	—
48'	27"	69"	123"	165"	219"	261"	315"	357"	411"	453"	507"	549"	—	—
49'	27"	69"	123"	165"	219"	261"	315"	357"	411"	453"	489"	531"	554"	574"
50'	27"	69"	123"	165"	219"	261"	315"	357"	411"	453"	495"	537"	566"	586"

WARNING: Ground fixture in accordance with local and national electrical codes. Failure to do so may result in serious personal injury. Fixture Installations should ONLY be done by a qualified licensed electrical professional.



INSTALLATION INSTRUCTIONS

WALL MOUNT — WRM9/36

FIXTURE MOUNT LOCATIONS

SYMMETRIC FIXTURE ROW LAYOUT DIMENSIONS

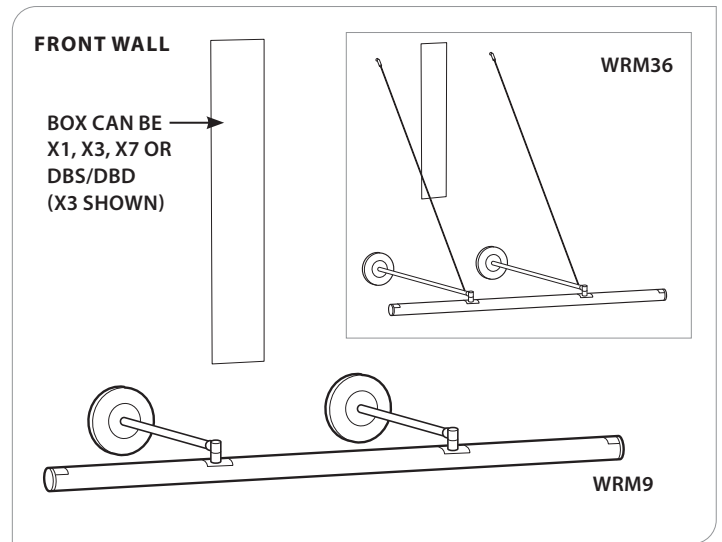
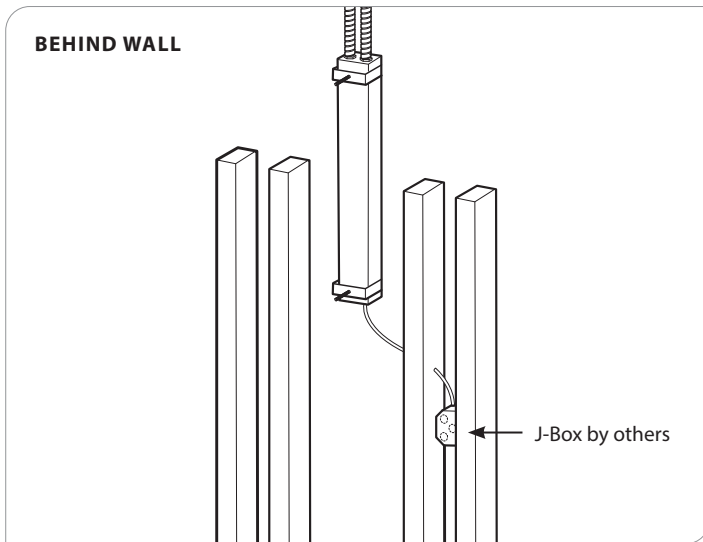
ROW LENGTH	DROP													
	1	2	3	4	5	6	7	8	9	10	11	12	13	14
9'	8"	28"	44"	64"	80"	100"	—	—	—	—	—	—	—	—
10'	9"	51"	69"	111"	—	—	—	—	—	—	—	—	—	—
11'	14"	34"	56"	76"	98"	118"	—	—	—	—	—	—	—	—
12'	15"	57"	87"	129"	—	—	—	—	—	—	—	—	—	—
13'	14"	34"	57"	99"	122"	142"	—	—	—	—	—	—	—	—
14'	21"	63"	105"	147"	—	—	—	—	—	—	—	—	—	—
15'	9"	51"	69"	111"	129"	171"	—	—	—	—	—	—	—	—
16'	27"	69"	123"	165"	—	—	—	—	—	—	—	—	—	—
17'	15"	57"	81"	123"	147"	189"	—	—	—	—	—	—	—	—
18'	15"	57"	87"	129"	159"	201"	—	—	—	—	—	—	—	—
19'	15"	57"	93"	135"	171"	213"	—	—	—	—	—	—	—	—
*20'	27"	69"	110"	130"	171"	213"	—	—	—	—	—	—	—	—
21'	27"	69"	105"	147"	183"	225"	—	—	—	—	—	—	—	—
22'	27"	69"	111"	153"	195"	237"	—	—	—	—	—	—	—	—
23'	27"	69"	117"	159"	207"	249"	—	—	—	—	—	—	—	—
24'	27"	69"	123"	165"	219"	261"	—	—	—	—	—	—	—	—
25'	15"	57"	86"	106"	129"	171"	194"	214"	243"	285"	—	—	—	—
26'	27"	69"	105"	147"	165"	207"	243"	285"	—	—	—	—	—	—
27'	15"	57"	81"	123"	141"	183"	201"	243"	267"	309"	—	—	—	—
28'	27"	69"	111"	153"	183"	225"	267"	309"	—	—	—	—	—	—
29'	27"	69"	105"	147"	164"	184"	201"	243"	279"	321"	—	—	—	—
30'	27"	69"	117"	159"	201"	243"	291"	333"	—	—	—	—	—	—
31'	27"	69"	105"	147"	165"	207"	225"	267"	303"	345"	—	—	—	—
32'	27"	69"	123"	165"	219"	261"	315"	357"	—	—	—	—	—	—
33'	27"	69"	111"	153"	177"	219"	243"	285"	327"	369"	—	—	—	—
34'	27"	69"	111"	153"	183"	225"	255"	297"	339"	381"	—	—	—	—
35'	27"	69"	117"	159"	189"	231"	261"	303"	351"	393"	—	—	—	—
36'	27"	69"	123"	165"	206"	226"	267"	309"	363"	405"	—	—	—	—
37'	27"	69"	123"	165"	201"	243"	279"	321"	375"	417"	—	—	—	—
38'	27"	69"	123"	165"	207"	249"	291"	333"	387"	429"	—	—	—	—
39'	27"	69"	123"	165"	213"	255"	303"	345"	399"	441"	—	—	—	—
40'	27"	69"	123"	165"	219"	261"	315"	357"	411"	453"	—	—	—	—
41'	27"	69"	111"	153"	182"	202"	225"	267"	290"	310"	339"	381"	423"	465"
42'	27"	69"	123"	165"	201"	243"	261"	303"	339"	381"	435"	477"	—	—
43'	27"	69"	111"	153"	177"	219"	237"	279"	297"	339"	363"	405"	447"	489"
44'	27"	69"	123"	165"	207"	249"	279"	321"	363"	405"	459"	501"	—	—
45'	27"	69"	123"	165"	201"	243"	260"	280"	297"	339"	375"	417"	471"	513"
46'	27"	69"	123"	165"	213"	255"	297"	339"	387"	429"	483"	525"	—	—
47'	27"	69"	123"	165"	201"	243"	261"	303"	321"	363"	399"	441"	495"	537"
48'	27"	69"	123"	165"	219"	261"	315"	357"	411"	453"	507"	549"	—	—
49'	27"	69"	123"	165"	207"	249"	273"	315"	339"	381"	423"	465"	519"	561"
50'	27"	69"	123"	165"	207"	249"	279"	321"	351"	393"	435"	477"	531"	573"

WARNING: Ground fixture in accordance with local and national electrical codes. Failure to do so may result in serious personal injury. Fixture Installations should ONLY be done by a qualified licensed electrical professional.

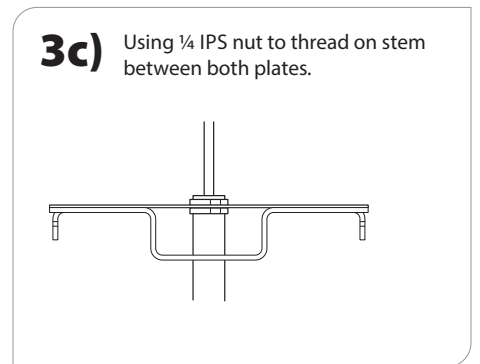
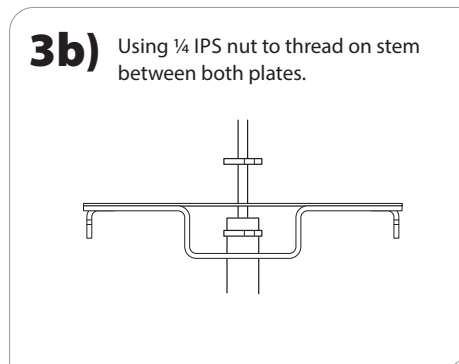
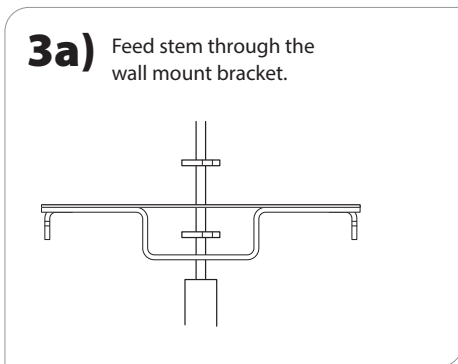
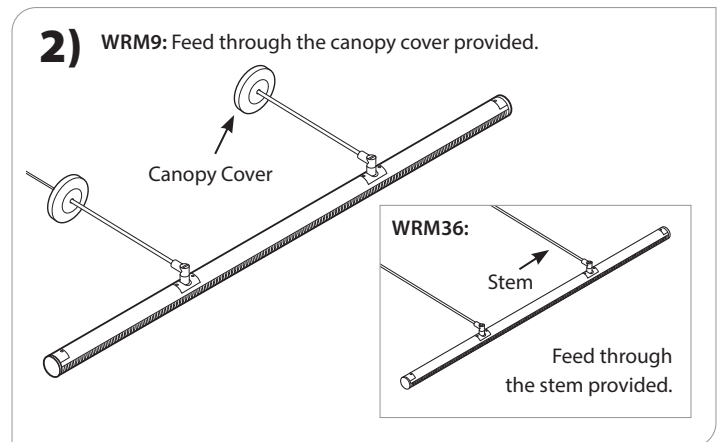
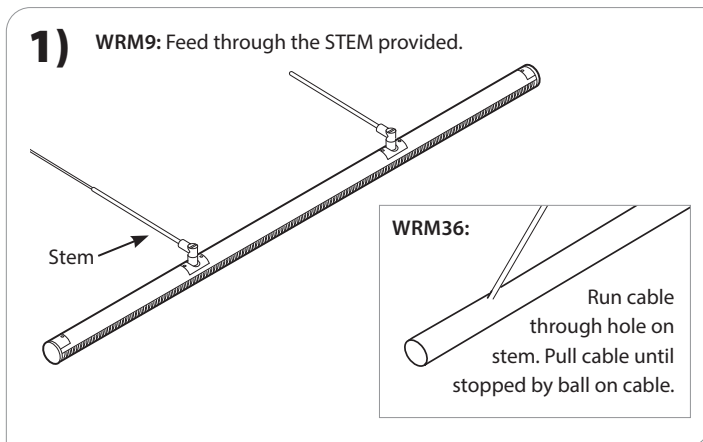


INSTALLATION INSTRUCTIONS

WALL MOUNT — WRM9/36



INSTALLATION



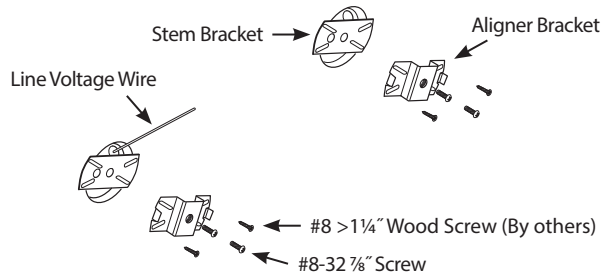
WARNING: Ground fixture in accordance with local and national electrical codes. Failure to do so may result in serious personal injury. Fixture Installations should ONLY be done by a qualified licensed electrical professional.



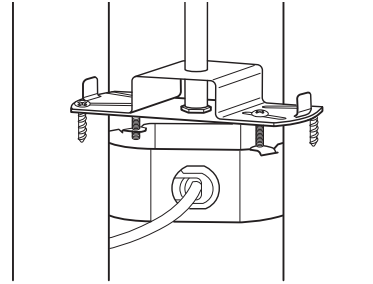
INSTALLATION INSTRUCTIONS

WALL MOUNT — WRM9/36

- 4)** Pull wires from J-Box out of hole.
Attach stem mount and back plate to j-box and screws into anchors or supported studs.

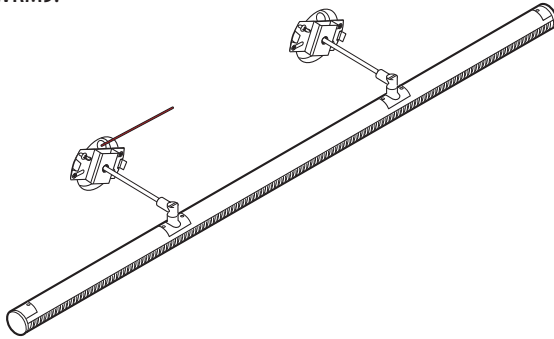


- 5)** First screw brackets j-box. Second use wood screws to screw and secure to frame.

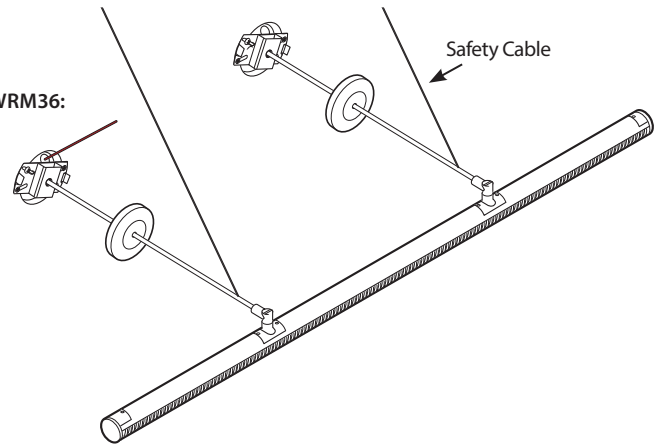


- 6)** Connect wires according to labels.

WRM9:



WRM36:



WARNING: Ground fixture in accordance with local and national electrical codes. Failure to do so may result in serious personal injury. Fixture Installations should ONLY be done by a qualified licensed electrical professional.