

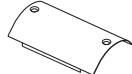


INSTALLATION INSTRUCTIONS

ON-GRID — T-BAR

PART	PART NO.	DESCRIPTION
------	----------	-------------

BLANK COVER (ROWS ONLY):



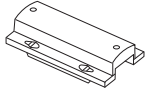
100-00128-03 Standard

FINISH COLOR MATCHES FIXTURE

100-00132-03 Louver



100-00375-14 18-8 SS #2 3/8" Flat Head Screw



100-00491-10 Pru1 Aligner

POWER OVER AIRCRAFT (POA) KIT:



100-00158-08 106"

STRAIN RELIEF:



100-00400-14 Black

100-00401-14 White

STEM BALL & SET SCREW:

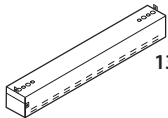


100-00103-08 1/4 Swivel Stem Ball & 1/4-20 x .250 Socket Hd. Set Screw



100-00250-14 1/4-20 3/8" Screw

REMOTE BOX TOP KIT:



135721 Recessed Remote Box (with Lid)



100-00326-14 Heyco Strain Relief 1853

SPOA SHIP KIT: 166681

PVC SLEEVE 105C VW-1 STRIPED CUT 5.5":



DUAL CIRCUIT:

100-01120-09 White with Red Stripe

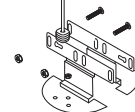
100-01121-09 White with Blue Stripe



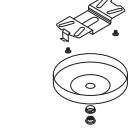
100-00126-09 2 Conductor Wago Compact Connector

PART	PART NO.	DESCRIPTION
------	----------	-------------

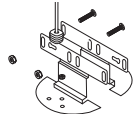
CANOPY MOUNT KIT: (SEE APPENDIX FOR DETAILS, PAGE 20)



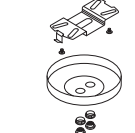
163464 SPOA



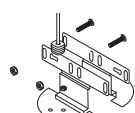
163465 DPOA



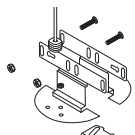
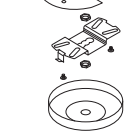
163466 SJT



163467 Stem <98"



166680 Stem >98"



DPOA SHIP KIT: 166682

PVC SLEEVE 105C VW-1 STRIPED CUT 5.5":

SINGLE CIRCUIT:

100-01122-09 Red

100-01123-09 Blue

DUAL CIRCUIT:

100-01120-09 White with Red Stripe

100-01121-09 White with Blue Stripe



100-00126-09 2 Conductor Wago Compact Connector



WARNING: Ground fixture in accordance with local and national electrical codes. Failure to do so may result in serious personal injury. Fixture Installations should ONLY be done by a qualified licensed electrical professional.

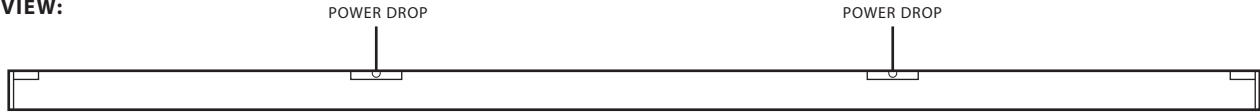


INSTALLATION INSTRUCTIONS

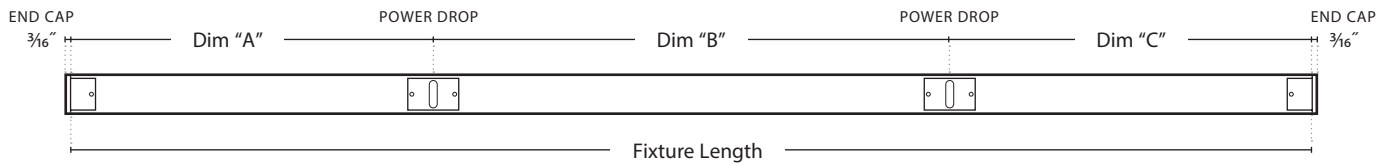
ON-GRID — T-BAR

MOUNTING DIMENSIONS

SIDE VIEW:



TOP VIEW:



Fixture Length	Drop From Center	Dim "A"	Dim "B"	Dim "C"
2' (24")	10"	2"	20"	2"
3' (36")	10"	8"	20"	8"
4' (48")	10"	14"	20"	14"
5' (60")	21"	9"	42"	9"
6' (72")	21"	15"	42"	15"
7' (84")	21"	21"	42"	21"
8' (96")	21"	27"	42"	27"

WARNING: Ground fixture in accordance with local and national electrical codes. Failure to do so may result in serious personal injury. Fixture Installations should ONLY be done by a qualified licensed electrical professional.



INSTALLATION INSTRUCTIONS

ON-GRID — T-BAR

FIXTURE MOUNT

STANDARD FIXTURE ROW LAYOUT

ROW LENGTH	FIXTURE ROW
9'	5+4
10'	6+4
11'	7+4
12'	8+4
13'	8+5
14'	8+6
15'	8+7
16'	8+8
17'	8+5+4
18'	8+6+4
19'	8+7+4
20'	8+8+4
21'	8+8+5
22'	8+8+6
23'	8+8+7
24'	8+8+8
25'	8+8+5+4
26'	8+8+6+4
27'	8+8+7+4
28'	8+8+8+4
29'	8+8+8+5
30'	8+8+8+6
31'	8+8+8+7
32'	8+8+8+8
33'	8+8+8+5+4
34'	8+8+8+6+4
35'	8+8+8+7+4
36'	8+8+8+8+4
37'	8+8+8+8+5
38'	8+8+8+8+6
39'	8+8+8+8+7
40'	8+8+8+8+8
41'	8+8+8+8+5+4
42'	8+8+8+8+6+4
43'	8+8+8+8+7+4
44'	8+8+8+8+8+4
45'	8+8+8+8+8+5
46'	8+8+8+8+8+6
47'	8+8+8+8+8+7
48'	8+8+8+8+8+8
49'	8+8+8+8+8+5+4
50'	8+8+8+8+8+6+4

SYMMETRIC FIXTURE ROW LAYOUT

ROW LENGTH	FIXTURE ROW
9'	3+3+3
10'	5+5
11'	4+3+4
12'	6+6
13'	4+5+4
14'	7+7
15'	5+5+5
16'	8+8
17'	6+5+6
18'	6+6+6
19'	6+7+6
20'	8+4+8
21'	8+5+8
22'	8+6+8
23'	8+7+8
24'	8+8+8
25'	6+4+5+4+6
26'	8+5+5+8
27'	6+5+5+5+6
28'	8+6+6+8
29'	8+5+3+5+8
30'	8+7+7+8
31'	8+5+5+5+8
32'	8+8+8+8
33'	8+6+5+6+8
34'	8+6+6+6+8
35'	8+7+5+7+8
36'	8+8+4+8+8
37'	8+8+5+8+8
38'	8+8+6+8+8
39'	8+8+7+8+8
40'	8+8+8+8+8
41'	8+6+4+5+4+6+8
42'	8+8+5+5+8+8
43'	8+6+5+5+5+6+8
44'	8+8+6+6+8+8
45'	8+8+5+3+5+8+8
46'	8+8+7+7+8+8
47'	8+8+5+5+5+8+8
48'	8+8+8+8+8+8
49'	8+8+6+5+6+8+8
50'	8+8+6+6+6+8+8

WARNING: Ground fixture in accordance with local and national electrical codes. Failure to do so may result in serious personal injury. Fixture Installations should ONLY be done by a qualified licensed electrical professional.



INSTALLATION INSTRUCTIONS

FIXTURE & END CAP MOUNT LOCATIONS

STANDARD FIXTURE ROW LAYOUT DIMENSIONS

ROW LENGTH	DROP													
	1	2	3	4	5	6	7	8	9	10	11	12	13	14
9'	9"	51"	74"	94"	—	—	—	—	—	—	—	—	—	—
10'	15"	57"	86"	106"	—	—	—	—	—	—	—	—	—	—
11'	21"	63"	98"	118"	—	—	—	—	—	—	—	—	—	—
12'	27"	69"	110"	130"	—	—	—	—	—	—	—	—	—	—
13'	27"	69"	105"	147"	—	—	—	—	—	—	—	—	—	—
14'	27"	69"	111"	153"	—	—	—	—	—	—	—	—	—	—
15'	21"	69"	117"	159"	—	—	—	—	—	—	—	—	—	—
16'	27"	69"	123"	165"	—	—	—	—	—	—	—	—	—	—
17'	27"	69"	105"	147"	170"	190"	—	—	—	—	—	—	—	—
18'	27"	69"	111"	153"	182"	202"	—	—	—	—	—	—	—	—
19'	21"	69"	117"	159"	194"	214"	—	—	—	—	—	—	—	—
20'	27"	69"	123"	165"	206"	226"	—	—	—	—	—	—	—	—
21'	27"	69"	123"	165"	201"	243"	—	—	—	—	—	—	—	—
22'	27"	69"	123"	165"	207"	249"	—	—	—	—	—	—	—	—
23'	21"	69"	123"	165"	213"	255"	—	—	—	—	—	—	—	—
24'	27"	69"	123"	165"	219"	261"	—	—	—	—	—	—	—	—
25'	27"	69"	123"	165"	201"	243"	266"	286"	—	—	—	—	—	—
26'	27"	69"	123"	165"	207"	249"	278"	298"	—	—	—	—	—	—
27'	27"	69"	123"	165"	213"	255"	290"	310"	—	—	—	—	—	—
28'	27"	69"	123"	165"	219"	261"	302"	322"	—	—	—	—	—	—
29'	27"	69"	123"	165"	219"	261"	297"	339"	—	—	—	—	—	—
30'	27"	69"	123"	165"	219"	261"	303"	345"	—	—	—	—	—	—
31'	27"	69"	123"	165"	219"	261"	309"	351"	—	—	—	—	—	—
32'	27"	69"	123"	165"	219"	261"	315"	357"	—	—	—	—	—	—
33'	27"	69"	123"	165"	219"	261"	297"	339"	362"	382"	—	—	—	—
34'	27"	69"	123"	165"	219"	261"	303"	345"	374"	394"	—	—	—	—
35'	27"	69"	123"	165"	219"	261"	309"	351"	386"	406"	—	—	—	—
36'	27"	69"	123"	165"	219"	261"	315"	357"	398"	418"	—	—	—	—
37'	27"	69"	123"	165"	219"	261"	315"	357"	393"	435"	—	—	—	—
38'	27"	69"	123"	165"	219"	261"	315"	357"	399"	441"	—	—	—	—
39'	27"	69"	123"	165"	219"	261"	315"	357"	405"	447"	—	—	—	—
40'	27"	69"	123"	165"	219"	261"	315"	357"	411"	453"	—	—	—	—
41'	27"	69"	123"	165"	219"	261"	315"	357"	393"	435"	458"	478"	—	—
42'	27"	69"	123"	165"	219"	261"	315"	357"	399"	441"	470"	490"	—	—
43'	27"	69"	123"	165"	219"	261"	315"	357"	405"	447"	482"	502"	—	—
44'	27"	69"	123"	165"	219"	261"	315"	357"	411"	453"	494"	514"	—	—
45'	27"	69"	123"	165"	219"	261"	315"	357"	411"	453"	489"	531"	—	—
46'	27"	69"	123"	165"	219"	261"	315"	357"	411"	453"	495"	537"	—	—
47'	27"	69"	123"	165"	219"	261"	315"	357"	411"	453"	501"	543"	—	—
48'	27"	69"	123"	165"	219"	261"	315"	357"	411"	453"	507"	549"	—	—
49'	27"	69"	123"	165"	219"	261"	315"	357"	411"	453"	489"	531"	554"	574"
50'	27"	69"	123"	165"	219"	261"	315"	357"	411"	453"	495"	537"	566"	586"

WARNING: Ground fixture in accordance with local and national electrical codes. Failure to do so may result in serious personal injury. Fixture Installations should ONLY be done by a qualified licensed electrical professional.



INSTALLATION INSTRUCTIONS

FIXTURE & END CAP MOUNT LOCATIONS

SYMMETRIC FIXTURE ROW LAYOUT DIMENSIONS

ROW LENGTH	DROP													
	1	2	3	4	5	6	7	8	9	10	11	12	13	14
9'	8"	28"	44"	64"	80"	100"	—	—	—	—	—	—	—	—
10'	9"	51"	69"	111"	—	—	—	—	—	—	—	—	—	—
11'	14"	34"	56"	76"	98"	118"	—	—	—	—	—	—	—	—
12'	15"	57"	87"	129"	—	—	—	—	—	—	—	—	—	—
13'	14"	34"	57"	99"	122"	142"	—	—	—	—	—	—	—	—
14'	21"	63"	105"	147"	—	—	—	—	—	—	—	—	—	—
15'	9"	51"	69"	111"	129"	171"	—	—	—	—	—	—	—	—
16'	27"	69"	123"	165"	—	—	—	—	—	—	—	—	—	—
17'	15"	57"	81"	123"	147"	189"	—	—	—	—	—	—	—	—
18'	15"	57"	87"	129"	159"	201"	—	—	—	—	—	—	—	—
19'	15"	57"	93"	135"	171"	213"	—	—	—	—	—	—	—	—
*20'	27"	69"	110"	130"	171"	213"	—	—	—	—	—	—	—	—
21'	27"	69"	105"	147"	183"	225"	—	—	—	—	—	—	—	—
22'	27"	69"	111"	153"	195"	237"	—	—	—	—	—	—	—	—
23'	27"	69"	117"	159"	207"	249"	—	—	—	—	—	—	—	—
24'	27"	69"	123"	165"	219"	261"	—	—	—	—	—	—	—	—
25'	15"	57"	86"	106"	129"	171"	194"	214"	243"	285"	—	—	—	—
26'	27"	69"	105"	147"	165"	207"	243"	285"	—	—	—	—	—	—
27'	15"	57"	81"	123"	141"	183"	201"	243"	267"	309"	—	—	—	—
28'	27"	69"	111"	153"	183"	225"	267"	309"	—	—	—	—	—	—
29'	27"	69"	105"	147"	164"	184"	201"	243"	279"	321"	—	—	—	—
30'	27"	69"	117"	159"	201"	243"	291"	333"	—	—	—	—	—	—
31'	27"	69"	105"	147"	165"	207"	225"	267"	303"	345"	—	—	—	—
32'	27"	69"	123"	165"	219"	261"	315"	357"	—	—	—	—	—	—
33'	27"	69"	111"	153"	177"	219"	243"	285"	327"	369"	—	—	—	—
34'	27"	69"	111"	153"	183"	225"	255"	297"	339"	381"	—	—	—	—
35'	27"	69"	117"	159"	189"	231"	261"	303"	351"	393"	—	—	—	—
36'	27"	69"	123"	165"	206"	226"	267"	309"	363"	405"	—	—	—	—
37'	27"	69"	123"	165"	201"	243"	279"	321"	375"	417"	—	—	—	—
38'	27"	69"	123"	165"	207"	249"	291"	333"	387"	429"	—	—	—	—
39'	27"	69"	123"	165"	213"	255"	303"	345"	399"	441"	—	—	—	—
40'	27"	69"	123"	165"	219"	261"	315"	357"	411"	453"	—	—	—	—
41'	27"	69"	111"	153"	182"	202"	225"	267"	290"	310"	339"	381"	423"	465"
42'	27"	69"	123"	165"	201"	243"	261"	303"	339"	381"	435"	477"	—	—
43'	27"	69"	111"	153"	177"	219"	237"	279"	297"	339"	363"	405"	447"	489"
44'	27"	69"	123"	165"	207"	249"	279"	321"	363"	405"	459"	501"	—	—
45'	27"	69"	123"	165"	201"	243"	260"	280"	297"	339"	375"	417"	471"	513"
46'	27"	69"	123"	165"	213"	255"	297"	339"	387"	429"	483"	525"	—	—
47'	27"	69"	123"	165"	201"	243"	261"	303"	321"	363"	399"	441"	495"	537"
48'	27"	69"	123"	165"	219"	261"	315"	357"	411"	453"	507"	549"	—	—
49'	27"	69"	123"	165"	207"	249"	273"	315"	339"	381"	423"	465"	519"	561"
50'	27"	69"	123"	165"	207"	249"	279"	321"	351"	393"	435"	477"	531"	573"

* See page 6 for row layout example

WARNING: Ground fixture in accordance with local and national electrical codes. Failure to do so may result in serious personal injury. Fixture Installations should ONLY be done by a qualified licensed electrical professional.

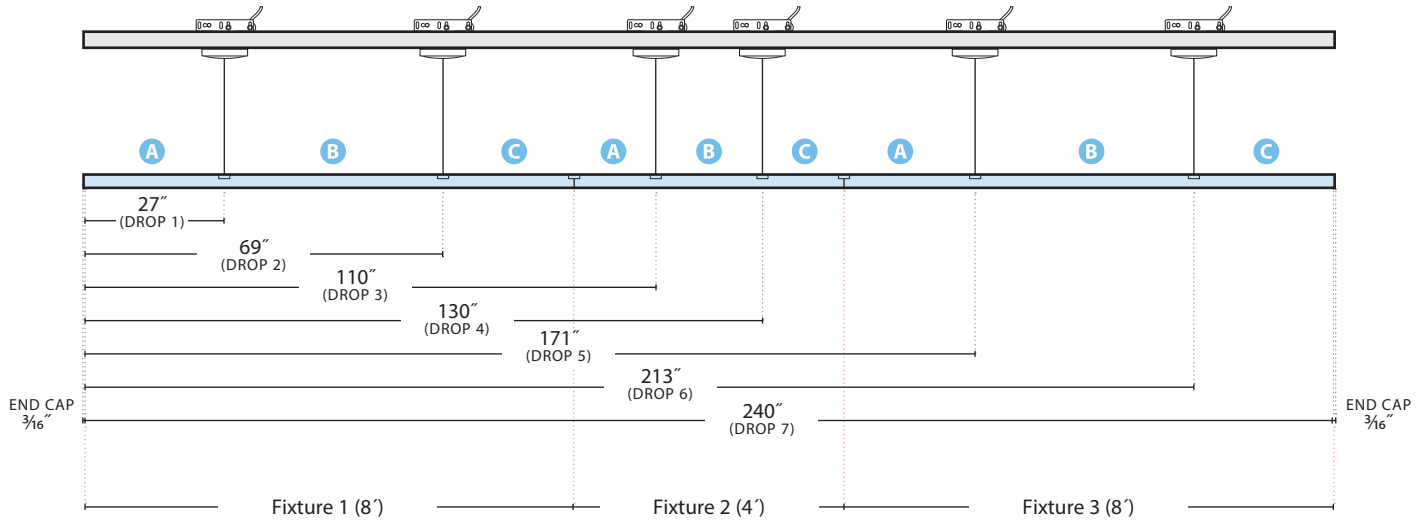


INSTALLATION INSTRUCTIONS

ON-GRID — T-BAR

ROW LAYOUT

20' SYMMETRIC EXAMPLE:



Fixture Length	Dim "A"	Dim "B"	Dim "C"
2' (24")	2"	20"	2"
3' (36")	8"	20"	8"
4' (48")	14"	20"	14"
5' (60")	9"	42"	9"
6' (72")	15"	42"	15"
7' (84")	21"	42"	21"
8' (96")	27"	42"	27"

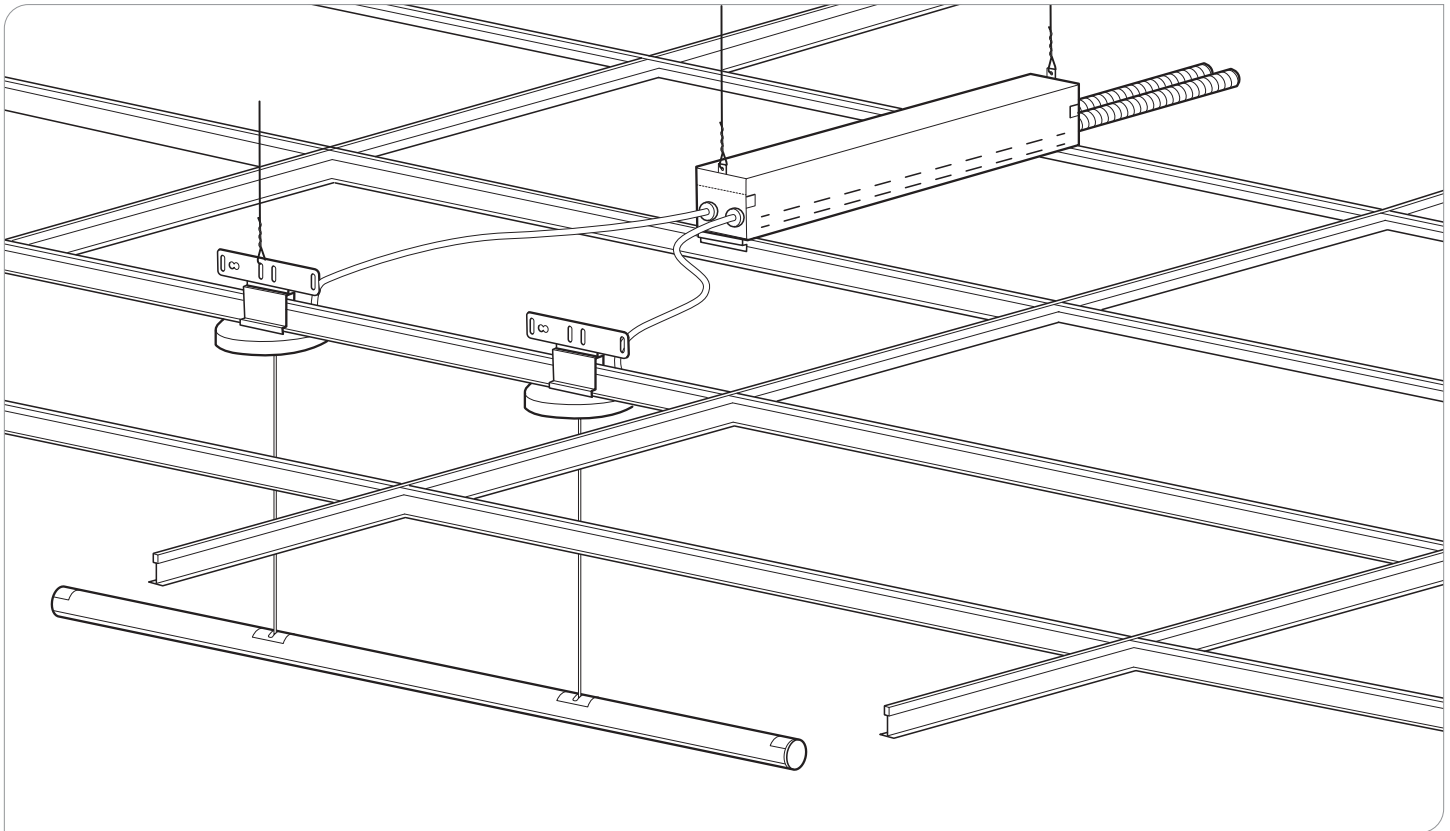
WARNING: Ground fixture in accordance with local and national electrical codes. Failure to do so may result in serious personal injury. Fixture Installations should ONLY be done by a qualified licensed electrical professional.



INSTALLATION INSTRUCTIONS

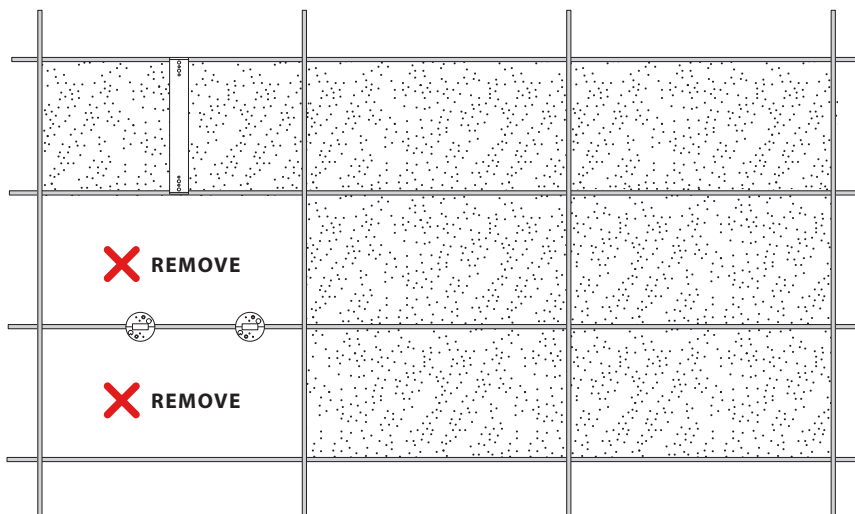
ON-GRID — T-BAR

EXPLODED VIEW



INSTALLATION

- 1) Remove all tiles surrounding the 't-bar' where fixture will be mounted.



WARNING: Ground fixture in accordance with local and national electrical codes. Failure to do so may result in serious personal injury. Fixture Installations should ONLY be done by a qualified licensed electrical professional.

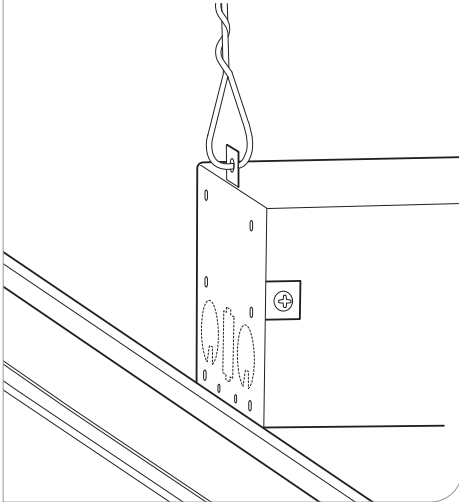


INSTALLATION INSTRUCTIONS

ON-GRID — T-BAR

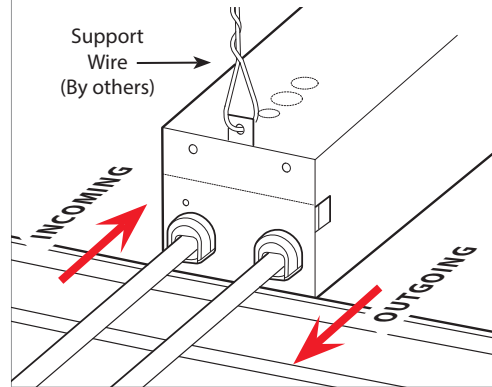
REMOTE BOX INSTALLATION

- 2)** Secure RRB to structure using tie back mount box no more than 4' away from fixture mount bar.



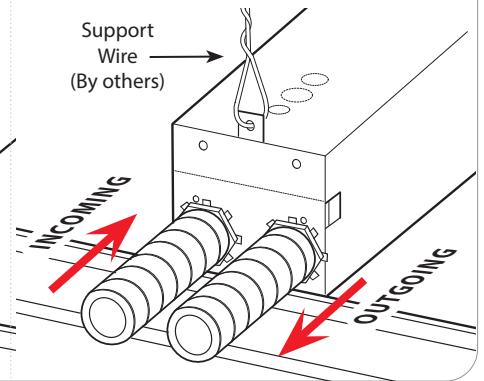
- 3) LINE VOLTAGE PLENUM**

Connect incoming line voltage with plenum rated cord (by others) to box. — Not for use in HVAC areas
FOR MULTIPLE BOXES: Connect outgoing line voltage with plenum rated cord.

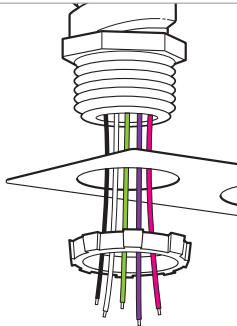


PLENUM

Connect incoming line voltage with flex (by others) to box.
FOR MULTIPLE BOXES: Connect outgoing line voltage with flex (by others).



- 4)** Attach flex to box via KO, and connect correct wires (see table below).

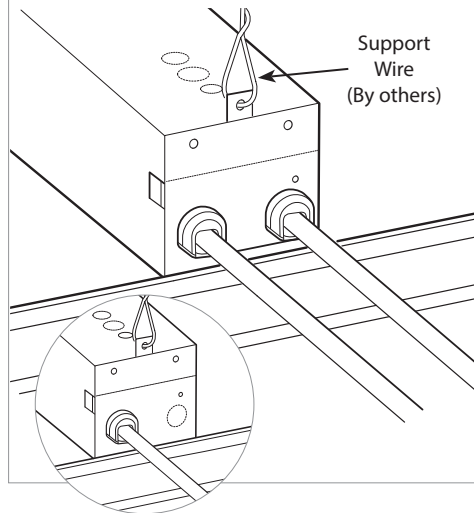


WIRING:

0-10V (+) : PURPLE	0-10V (-) : PINK
DALI (+) : PURPLE	DALI (-) : PINK
EcoSystem DALI (+) : PURPLE	EcoSystem DALI (-) : PINK
HOT : BLACK	
NEUTRAL : WHITE	
GROUND : GREEN	
CONSTANT HOT (EM) : RED	

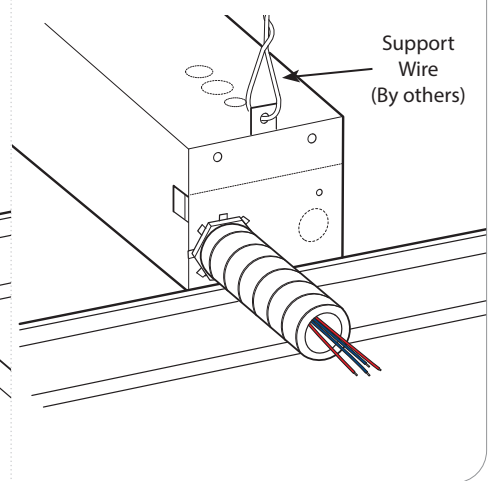
- 5) LOW VOLTAGE PLENUM**

Use 8' cable provided to connect box to fixture mount bar.



PLENUM

For plenum use flex or plenum rated cord to connect box to fixture mount bar.



WARNING: Ground fixture in accordance with local and national electrical codes. Failure to do so may result in serious personal injury. Fixture Installations should ONLY be done by a qualified licensed electrical professional.

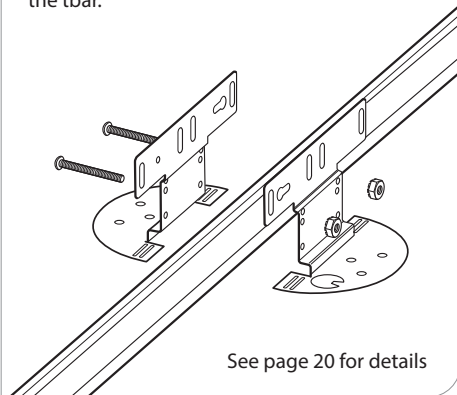
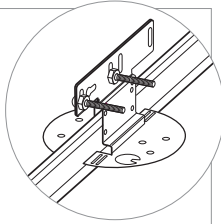


INSTALLATION INSTRUCTIONS

ON-GRID — T-BAR

6)

Attach canopy caddy clips to t-bar leave slack to allow for adjustability along the tbar.

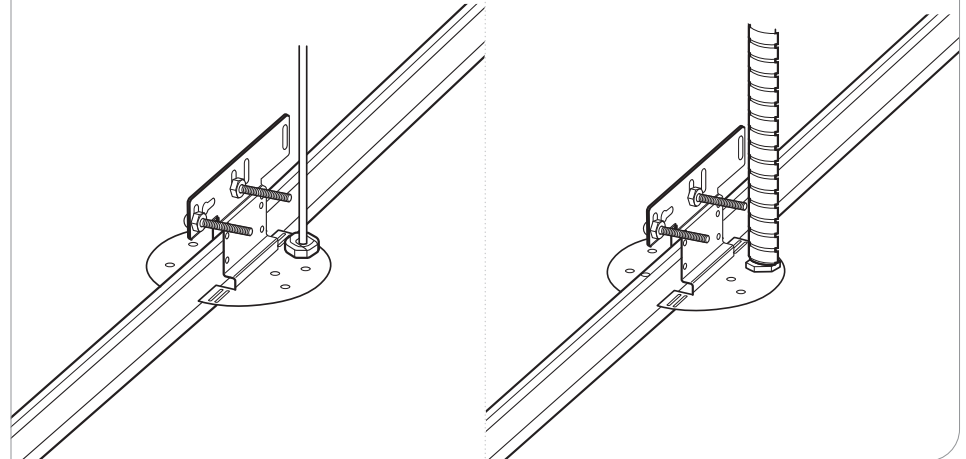


7)

Insert flex/power cord from remote box with strain relief in to knockout.

POA — POWER OVER AIRCRAFT

SJT — STEM



WARNING: Ground fixture in accordance with local and national electrical codes. Failure to do so may result in serious personal injury. Fixture Installations should ONLY be done by a qualified licensed electrical professional.



INSTALLATION INSTRUCTIONS

ON-GRID — T-BAR

CONTINUE TO THE FOLLOWING PAGES FOR...

PAGE 11. SPOA — SINGLE POWER OVER AIRCRAFT

PAGE 13. DPOA — DOUBLE POWER OVER AIRCRAFT

PAGE 15. CORD

PAGE 17. STEM

WARNING: Ground fixture in accordance with local and national electrical codes. Failure to do so may result in serious personal injury. Fixture Installations should ONLY be done by a qualified licensed electrical professional.

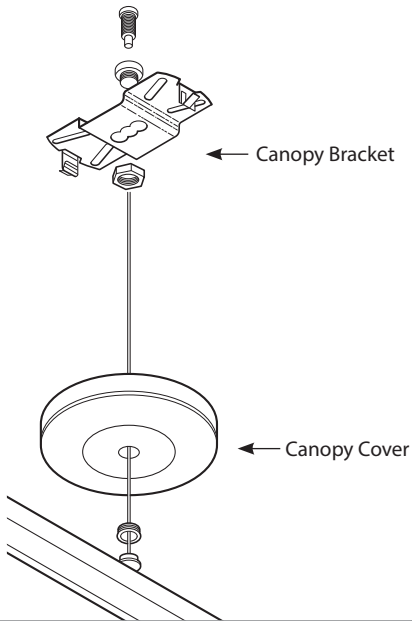


INSTALLATION INSTRUCTIONS

ON-GRID — T-BAR

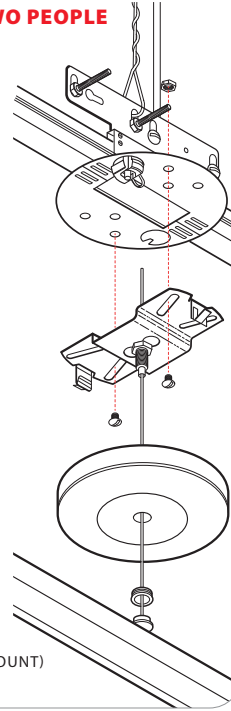
SPOA — SINGLE POWER OVER AIRCRAFT

8a) Install the finishing trim, plastic grommet (black/white), and canopy cover onto cable for both sides.



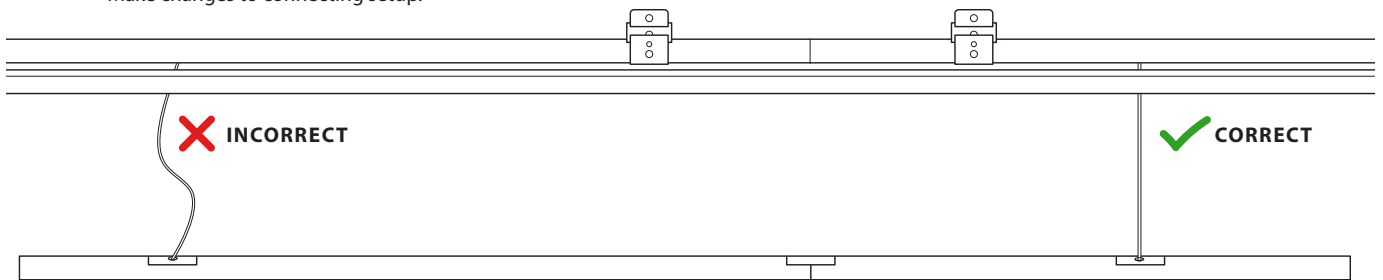
8b) **REQUIRES TWO PEOPLE**

Using the bracket mount screws and nuts attach to canopy caddy clip.

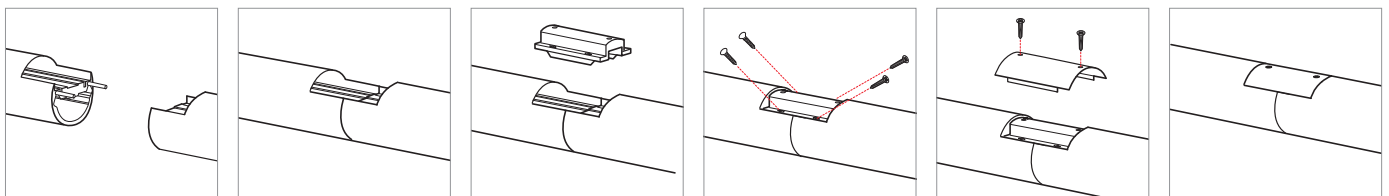


8c) To level all fixtures in a row, make sure cables/SJT is approximately the same length and taut after joining fixtures, then fine adjustments of the cables/SJT can be made to make sure all fixtures are level.

- Show cross section of mounting setup for leveling purposes level fixtures adjusting aircraft cable length with grippers.
- Join fixtures.
- Make sure all cables are taut.
- Make changes to connecting setup.



CONNECTING SETUP



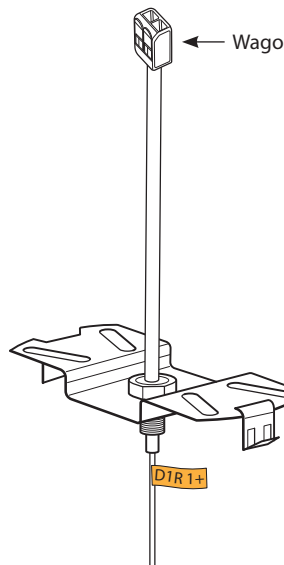
WARNING: Ground fixture in accordance with local and national electrical codes. Failure to do so may result in serious personal injury. Fixture Installations should ONLY be done by a qualified licensed electrical professional.



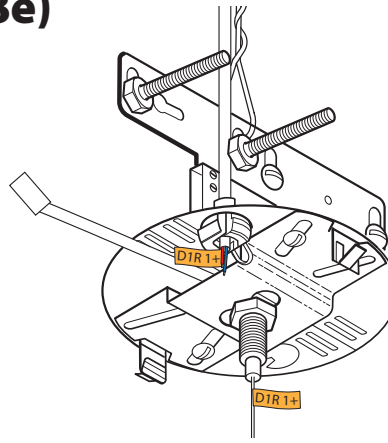
INSTALLATION INSTRUCTIONS

ON-GRID — T-BAR

8d) Pull cable after Griplock holder 6" or more, then place PVC sleeve (heatshrink) over cable and attach Wago to end.



8e)



- Make sure the cable is fully covered by the PVC sleeve after it comes out the Griplock.
- Position fixture to correct height and level.
- Cut the PVC sleeve and leave ½" of the cable out of sleeve and attach Wago.
- Tighten cady clip in position.
- Connect correct label from wire to wire (DIR 1+ to DIR 1+).

DC POWER WIRES (LOW VOLTAGE):

LABEL	COLOR	DESCRIPTION
DIR 1 +	RED	DIRECT LIGHT DRIVER 1 POSITIVE +
—	BLUE	DO NOT USE
—	RED	DO NOT USE
DIR 1 -	BLUE	DIRECT LIGHT DRIVER 1 NEGATIVE -

WARNING: Ground fixture in accordance with local and national electrical codes. Failure to do so may result in serious personal injury. Fixture Installations should ONLY be done by a qualified licensed electrical professional.



INSTALLATION INSTRUCTIONS

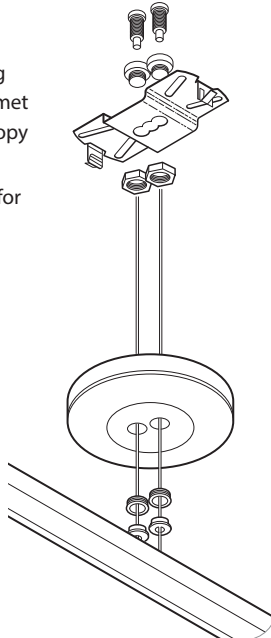
ON-GRID — T-BAR

DPOA — DUAL POWER OVER AIRCRAFT

9a)

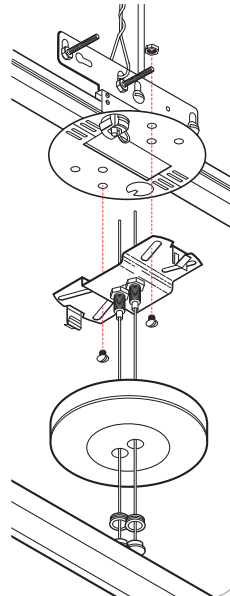
Install the finishing trim, plastic grommet (black/white), canopy cover and canopy.

Cover on to cable for both sides.



9b) **REQUIRES TWO PEOPLE**

Using the bracket mount screws and nuts attach to canopy caddy clip.

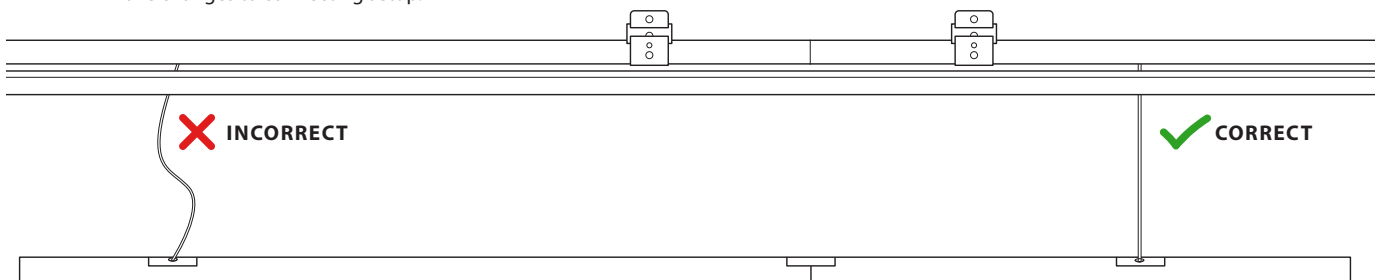


REQUIRES TWO PEOPLE
(ONE PER MOUNT)
TO AVOID DAMAGE

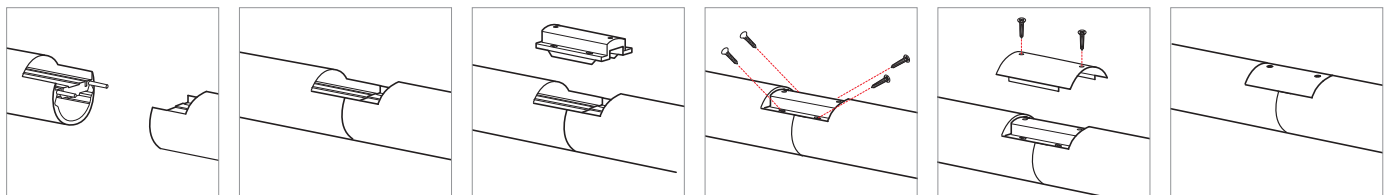
9c)

To level all fixtures in a row, make sure cables/SJT is approximately the same length and taut after joining fixtures, then fine adjustments of the cables/SJT can be made to make sure all fixtures are level.

- Show cross section of mounting setup for leveling purposes level fixtures adjusting aircraft cable length with grippers.
- Join fixtures.
- Make sure all cables are taut.
- Make changes to connecting setup.



CONNECTING SETUP



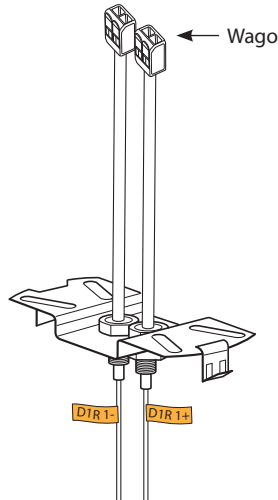
WARNING: Ground fixture in accordance with local and national electrical codes. Failure to do so may result in serious personal injury. Fixture Installations should ONLY be done by a qualified licensed electrical professional.



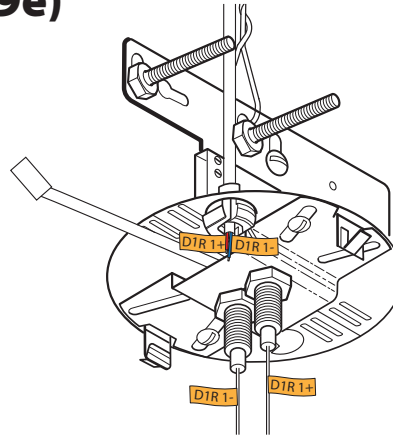
INSTALLATION INSTRUCTIONS

ON-GRID — T-BAR

9d) Pull cable after Griplock holder 6" or more, then place PVC sleeve (heatshrink) over cable and attach Wago to end.



9e)



- Make sure the cable is fully covered by the PVC sleeve after it comes out the Griplock.
- Position fixture to correct height and level.
- Cut the PVC sleeve and leave ½" of the cable out of sleeve and attach Wago.
- Tighten cady clip in position.
- Connect correct label from wire to wire (DIR 1+ to DIR 1+).

DC POWER WIRES (LOW VOLTAGE):

LABEL	COLOR	DESCRIPTION
DIR 1 +	RED	DIRECT LIGHT DRIVER 1 POSITIVE +
DIR 1 -	BLUE	DIRECT LIGHT DRIVER 1 NEGATIVE +
INDIR 1 +	RED	INDIRECT LIGHT DRIVER 2 POSITIVE -
INDIR 1 -	BLUE	INDIRECT LIGHT DRIVER 2 NEGATIVE -

WARNING: Ground fixture in accordance with local and national electrical codes. Failure to do so may result in serious personal injury. Fixture Installations should ONLY be done by a qualified licensed electrical professional.



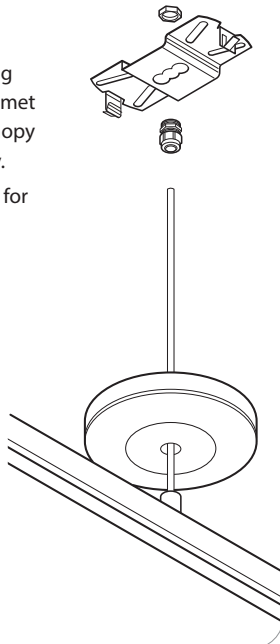
INSTALLATION INSTRUCTIONS

ON-GRID — T-BAR

SJT

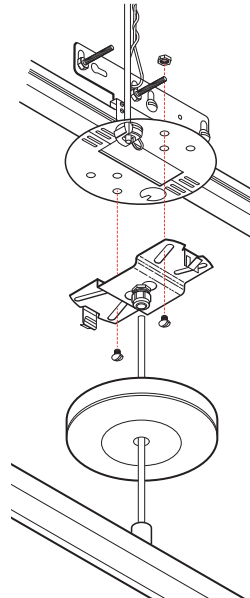
10a)

Install the finishing trim, plastic grommet (black/white), canopy cover and canopy. Cover on to cable for both sides.



10b) 👤 👤 REQUIRES TWO PEOPLE

Using the bracket mount screws and nuts attach to canopy caddy clip.

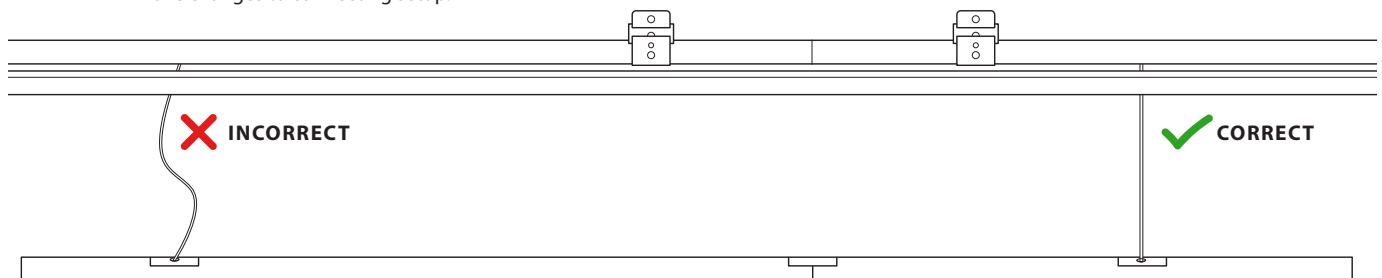


REQUIRES TWO PEOPLE
(ONE PER MOUNT)
TO AVOID DAMAGE

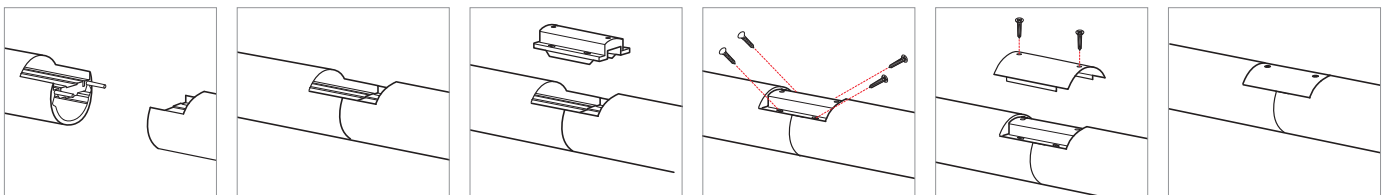
10c)

To level all fixtures in a row, make sure cables/SJT is approximately the same length and taut after joining fixtures, then fine adjustments of the cables/SJT can be made to make sure all fixtures are level.

- Show cross section of mounting setup for leveling purposes level fixtures adjusting aircraft cable length with grippers.
- Join fixtures.
- Make sure all cables are taut.
- Make changes to connecting setup.



CONNECTING SETUP



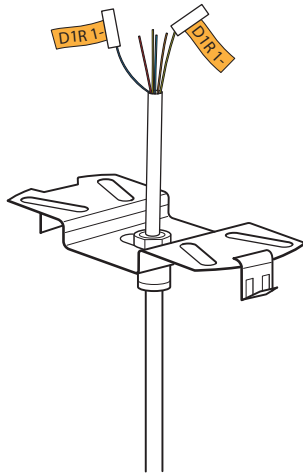
WARNING: Ground fixture in accordance with local and national electrical codes. Failure to do so may result in serious personal injury. Fixture Installations should ONLY be done by a qualified licensed electrical professional.



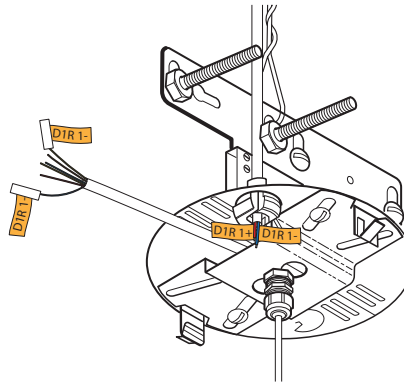
INSTALLATION INSTRUCTIONS

ON-GRID — T-BAR

10d) Pull cable after Griplock holder 6" or more, then place PVC sleeve (heatshrink) over cable and attach Wago to end.



10e)



- Once bracket is attached to cady clip, make sure fixture is in correct position, and cable is vertical.
- Position fixture to correct height and level.
- Tighten cady clip in position.
- Connect correct label from wire to wire (DIR 1+ to DIR 1+).

DC POWER WIRES (LOW VOLTAGE):

LABEL	COLOR	DESCRIPTION
DIR 1 +	RED	DIRECT LIGHT DRIVER 1 POSITIVE +
DIR 1 -	BLUE	DIRECT LIGHT DRIVER 1 POSITIVE -
INDIR 1 +	RED/WHITE	INDIRECT LIGHT DRIVER 1 POSITIVE +
INDIR 1 -	BLUE/WHITE	INDIRECT LIGHT DRIVER 1 POSITIVE -

WARNING: Ground fixture in accordance with local and national electrical codes. Failure to do so may result in serious personal injury. Fixture Installations should ONLY be done by a qualified licensed electrical professional.



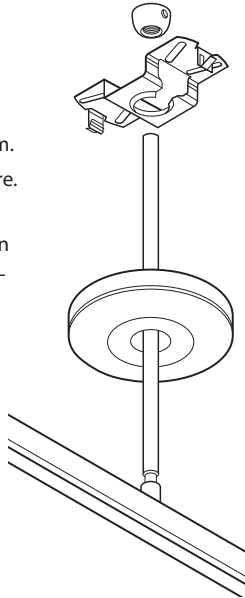
INSTALLATION INSTRUCTIONS

ON-GRID — T-BAR

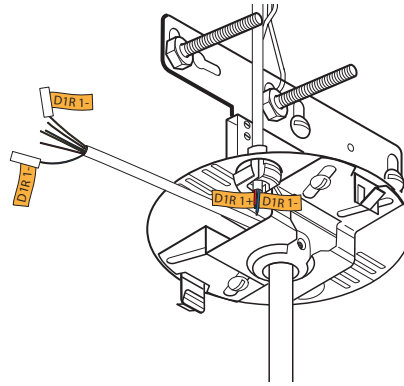
STEM

11a)

Pass SJT cord out of fixture through stem.
 Pass canopy over stem.
 Screw stem into fixture.
 Pass stem through stem bracket and then install swivel-ball pulling SJT through.



11b)



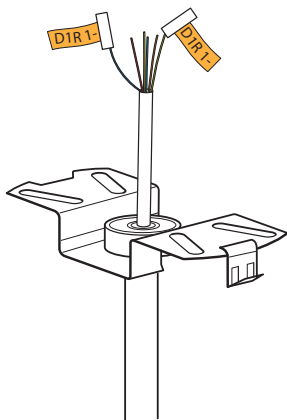
- Once bracket is attached to cady clip, make sure fixture is in correct position, and cable is vertical.
- Position fixture to correct height and level.
- Tighten cady clip in position.
- Connect correct label from wire to wire (DIR 1+ to DIR 1+).

DC POWER WIRES (LOW VOLTAGE):

LABEL	COLOR	DESCRIPTION
DIR 1 +	RED	DIRECT LIGHT DRIVER 1 POSITIVE +
DIR 1 -	BLUE	DIRECT LIGHT DRIVER 1 POSITIVE -
INDIR 1 +	RED/WHITE	INDIRECT LIGHT DRIVER 1 POSITIVE +
INDIR 1 -	BLUE/WHITE	INDIRECT LIGHT DRIVER 1 POSITIVE -

11c)

SJT will have 10" of extra wire more than the stem.



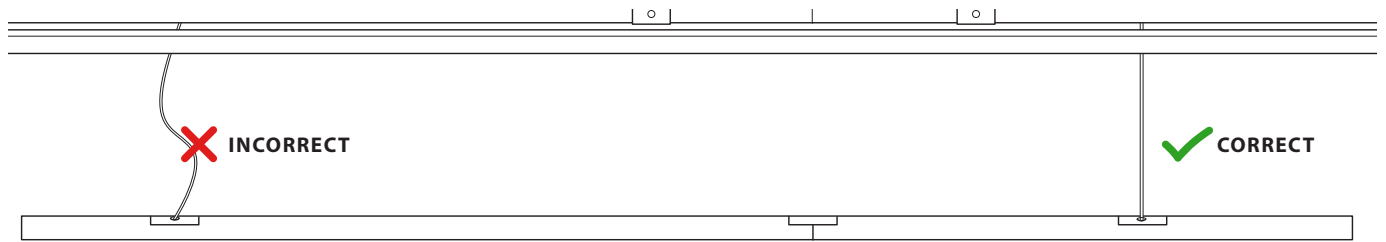
WARNING: Ground fixture in accordance with local and national electrical codes. Failure to do so may result in serious personal injury. Fixture Installations should ONLY be done by a qualified licensed electrical professional.



INSTALLATION INSTRUCTIONS

ON-GRID — T-BAR

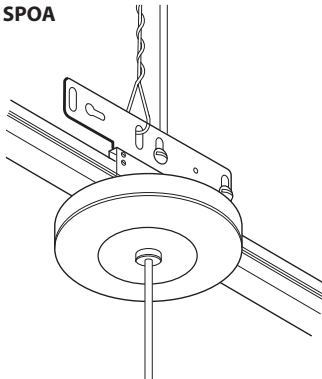
12) Adjust caddy clips so mount caddy are vertical?



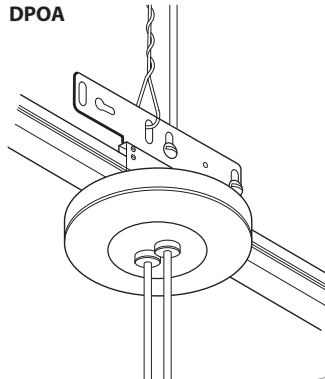
13a) POA — POWER OVER AIRCRAFT

After installing both power mounts test light.
Attach canopy cover, a grommets, and griplock finished plates.

SPOA

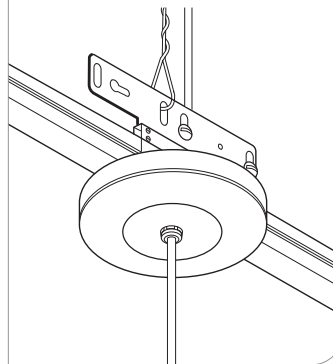


DPOA



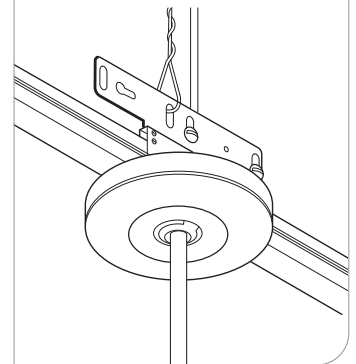
13b) SJT

After installing both power mounts test light.
Attach canopy cover.



13c) STEM

After installing both power mounts test light.
Attach canopy cover.



14) Reinstall the tiles, make sure to cut out necessary sections to fit tile correctly.

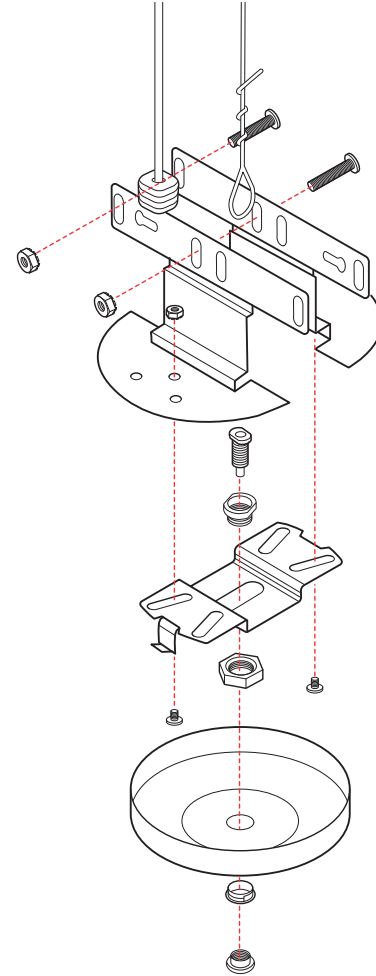
WARNING: Ground fixture in accordance with local and national electrical codes. Failure to do so may result in serious personal injury.
Fixture Installations should ONLY be done by a qualified licensed professional.



POA — POWER OVER AIRCRAFT

SPOA

- Prepare area on grid for canopy mount adaptor
- Cut tile to have access under canopy mount adaptor
- Bolt canopy mount adaptor together
- Attach wire and secure canopy mount adaptor to structure
- Insert power from driver box to canopy mount adaptor (plenum rated wire or flex)
- Place Griplock grommet and Griplock holder with nut to POA/SJT bracket.
- Use Wago to connect to powered wire from driver box
- Place POA/SJT bracket and secure to canopy mount adaptor
- Feed POA cable from fixture through finished grommet, plastic grommet, and canopy cover and secure in to Griplock holder
- Make sure fixture at correct height and level
- Cutting all but one/two inches of cable after Griplock holder
- Cover with pvc (heat shrink) tube and connect to correctly label power wire
- Install canopy cover and plastic grommet and finished grommet



DC POWER WIRES (LOW VOLTAGE):

LABEL	COLOR	DESCRIPTION
DIR 1 +	RED	DIRECT LIGHT DRIVER 1 POSITIVE +
—	BLUE	DO NOT USE
—	RED	DO NOT USE
DIR 1 -	BLUE	DIRECT LIGHT DRIVER 1 NEGATIVE -

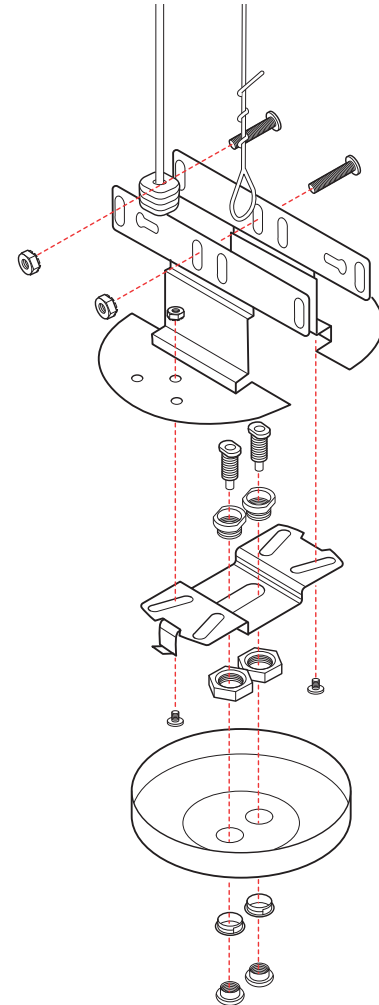
WARNING: Ground fixture in accordance with local and national electrical codes. Failure to do so may result in serious personal injury. Fixture Installations should ONLY be done by a qualified licensed electrical professional.



POA — POWER OVER AIRCRAFT

DPOA

- Prepare area on grid for canopy mount adaptor.
- Cut tile to have access under canopy mount adaptor.
- Bolt canopy mount adaptor together.
- Attach wire and secure canopy mount adaptor to structure.
- Insert power from driver box to canopy mount adaptor (plenum rated wire or flex).
- Place griplock grommet and griplock holder with nut to POA/SJT bracket.
- Use wago to connect to powered wire from driver box.
- Place poa/sjt bracket and secure to canopy mount adaptor.
- Feed poa cable from fixture through finished grommet, plastic grommet, and canopy cover and secure in to griplock holder.
- Make sure fixture at correct height and level.
- Cutting all but one/two inches of cable after griplock holder.
- Cover with pvc (heat shrink) tube and connect to correctly label power wire.
- Install canopy cover and plastic grommet and finished grommet.



DC POWER WIRES (LOW VOLTAGE):

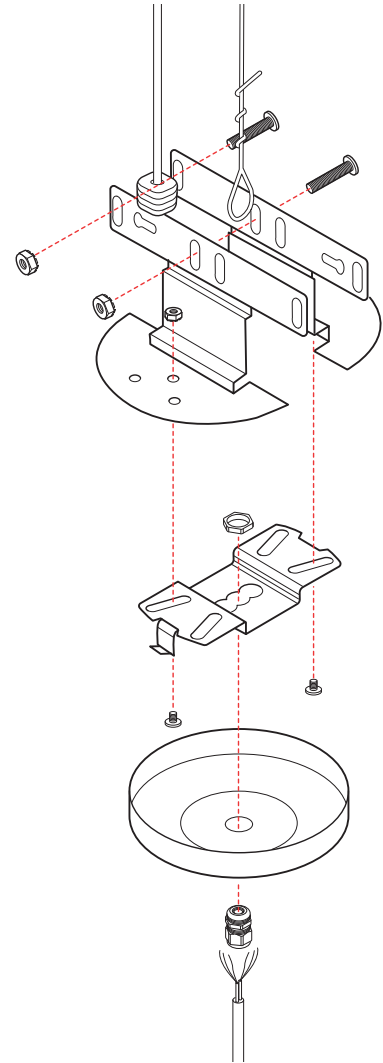
LABEL	COLOR	DESCRIPTION
DIR 1 +	RED	DIRECT LIGHT DRIVER 1 POSITIVE +
DIR 1 -	BLUE	DIRECT LIGHT DRIVER 1 NEGATIVE -
INDIR 1 +	RED	INDIRECT LIGHT DRIVER 2 POSITIVE -
INDIR 1 -	BLUE	INDIRECT LIGHT DRIVER 2 NEGATIVE -

WARNING: Ground fixture in accordance with local and national electrical codes. Failure to do so may result in serious personal injury. Fixture Installations should ONLY be done by a qualified licensed electrical professional.



CORD

- Prepare area on grid for canopy mount adaptor.
- Cut tile to have access under canopy mount adaptor.
- Bolt canopy mount adaptor together.
- Attach wire and secure canopy mount adaptor to structure.
- Insert power from driver box to canopy mount adaptor (plenum rated wire or flex).
- Place strain relieve with nut to POA/SJT bracket.
- Use wago to connect to powered wire from driver box.
- Place poa/sjt bracket and secure to canopy mount adaptor.
- Feed sjt cable from fixture through canopy cover and secure in to strain relief.
- Make sure fixture at correct height and level.
- Cutting all but three to four inches of SJT after strain relief.
- Cover with PVC (heat shrink) tube and connect to correctly label power wire.
- Install canopy cover and make sure strain relieve is completely secure.



DC POWER WIRES (LOW VOLTAGE):

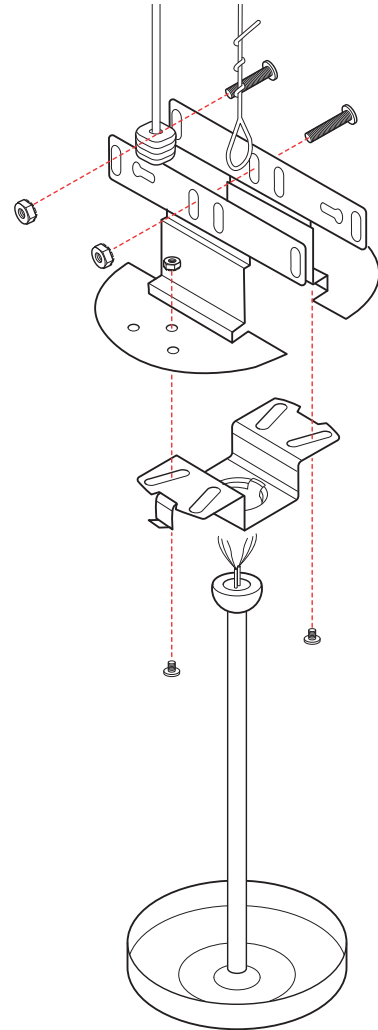
LABEL	COLOR	DESCRIPTION
DIR 1 +	RED	DIRECT LIGHT DRIVER 1 POSITIVE +
DIR 1 -	BLUE	DIRECT LIGHT DRIVER 1 POSITIVE -
INDIR 1 +	RED/WHITE	INDIRECT LIGHT DRIVER 1 POSITIVE +
INDIR 1 -	BLUE/WHITE	INDIRECT LIGHT DRIVER 1 POSITIVE -

WARNING: Ground fixture in accordance with local and national electrical codes. Failure to do so may result in serious personal injury. Fixture Installations should ONLY be done by a qualified licensed electrical professional.



STEM

- Prepare area on grid for canopy mount adaptor.
- Cut tile to have access under canopy mount adaptor.
- Bolt canopy mount adaptor together.
- Attach wire and secure canopy mount adaptor to structure.
- Insert power from driver box to canopy mount adaptor (plenum rated wire or flex)
- Attach stem bracket to canopy mount adaptor.
- Attach stem to fixture making sure wire is going through stem.
- Place canopy cover through stem.
- Attach swivel half ball on to stem and set with set screw.
- Attach wires from fixture to power incoming from remote box, matching correct labels while attaching using wagos.
- Position fixture into bracket and lift canopy to attach.
- Test fixture.



DC POWER WIRES (LOW VOLTAGE):

LABEL	COLOR	DESCRIPTION
DIR 1 +	RED	DIRECT LIGHT DRIVER 1 POSITIVE +
DIR 1 -	BLUE	DIRECT LIGHT DRIVER 1 POSITIVE -
INDIR 1 +	RED/WHITE	INDIRECT LIGHT DRIVER 1 POSITIVE +
INDIR 1 -	BLUE/WHITE	INDIRECT LIGHT DRIVER 1 POSITIVE -

WARNING: Ground fixture in accordance with local and national electrical codes. Failure to do so may result in serious personal injury. Fixture Installations should ONLY be done by a qualified licensed electrical professional.