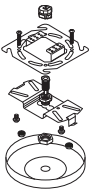
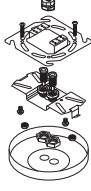
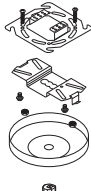











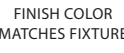

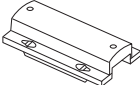
INSTALLATION INSTRUCTIONS

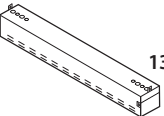
OFF-GRID — T-BAR CABLE MOUNT (CA-OFF)


PART	PART NO.	DESCRIPTION
CANOPY MOUNT KIT: (SEE APPENDIX FOR DETAILS, PAGE 20)		
	163468	SPOA — Single Power Over Aircraft
	163469	DPOA — Dual Power Over Aircraft
	163470	SJT Cord
	163471	Stem <98"
	166680	Stem >98"


SPOA SHIP KIT: 166681		
PVC SLEEVE 105C VW-1 STRIPED CUT 5.5":		
	DUAL CIRCUIT:	
	100-01120-09	White with Red Stripe
	100-01121-09	White with Blue Stripe
	100-00126-09	2 Conductor Wago Compact Connector

DPOA SHIP KIT: 166682		
PVC SLEEVE 105C VW-1 STRIPED CUT 5.5":		
	SINGLE CIRCUIT:	
	100-01122-09	Red
	100-01123-09	Blue
	DUAL CIRCUIT:	
	100-01120-09	White with Red Stripe
	100-01121-09	White with Blue Stripe
	100-00126-09	2 Conductor Wago Compact Connector

PART	PART NO.	DESCRIPTION
BLANK COVER (ROWS ONLY):		
	100-00128-03	Standard
	100-00132-03	Louver
	100-00375-14	18-8 SS #2 3/8" Flat Head Screw
	100-00491-10	Pru1 Aligner

REMOTE BOX TOP KIT:		
	135721	Recessed Remote Box (with Lid)

POWER OVER AIRCRAFT (POA) KIT		
	100-00158-08	106"

STRAIN RELIEF:		
	100-00400-14	Black
	100-00401-14	White

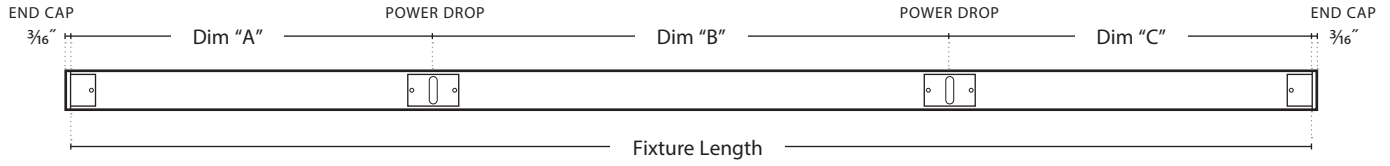
WARNING: Ground fixture in accordance with local and national electrical codes. Failure to do so may result in serious personal injury. Fixture Installations should ONLY be done by a qualified licensed electrical professional.



INSTALLATION INSTRUCTIONS

OFF-GRID — T-BAR CABLE MOUNT (CA-OFF)

MOUNTING DIMENSIONS



Fixture Length	Drop From Center	Dim "A"	Dim "B"	Dim "C"
2' (24")	10"	2"	20"	2"
3' (36")	10"	8"	20"	8"
4' (48")	10"	14"	20"	14"
5' (60")	21"	9"	42"	9"
6' (72")	21"	15"	42"	15"
7' (84")	21"	21"	42"	21"
8' (96")	21"	27"	42"	27"

WARNING: Ground fixture in accordance with local and national electrical codes. Failure to do so may result in serious personal injury. Fixture Installations should ONLY be done by a qualified licensed electrical professional.



INSTALLATION INSTRUCTIONS

OFF-GRID — T-BAR CABLE MOUNT (CA-OFF)

FIXTURE MOUNT

STANDARD FIXTURE ROW LAYOUT

ROW LENGTH	FIXTURE ROW
9'	5+4
10'	6+4
11'	7+4
12'	8+4
13'	8+5
14'	8+6
15'	8+7
16'	8+8
17'	8+5+4
18'	8+6+4
19'	8+7+4
20'	8+8+4
21'	8+8+5
22'	8+8+6
23'	8+8+7
24'	8+8+8
25'	8+8+5+4
26'	8+8+6+4
27'	8+8+7+4
28'	8+8+8+4
29'	8+8+8+5
30'	8+8+8+6
31'	8+8+8+7
32'	8+8+8+8
33'	8+8+8+5+4
34'	8+8+8+6+4
35'	8+8+8+7+4
36'	8+8+8+8+4
37'	8+8+8+8+5
38'	8+8+8+8+6
39'	8+8+8+8+7
40'	8+8+8+8+8
41'	8+8+8+8+5+4
42'	8+8+8+8+6+4
43'	8+8+8+8+7+4
44'	8+8+8+8+8+4
45'	8+8+8+8+8+5
46'	8+8+8+8+8+6
47'	8+8+8+8+8+7
48'	8+8+8+8+8+8
49'	8+8+8+8+8+5+4
50'	8+8+8+8+8+6+4

SYMMETRIC FIXTURE ROW LAYOUT

ROW LENGTH	FIXTURE ROW
9'	3+3+3
10'	5+5
11'	4+3+4
12'	6+6
13'	4+5+4
14'	7+7
15'	5+5+5
16'	8+8
17'	6+5+6
18'	6+6+6
19'	6+7+6
20'	8+4+8
21'	8+5+8
22'	8+6+8
23'	8+7+8
24'	8+8+8
25'	6+4+5+4+6
26'	8+5+5+8
27'	6+5+5+5+6
28'	8+6+6+8
29'	8+5+3+5+8
30'	8+7+7+8
31'	8+5+5+5+8
32'	8+8+8+8
33'	8+6+5+6+8
34'	8+6+6+6+8
35'	8+7+5+7+8
36'	8+8+4+8+8
37'	8+8+5+8+8
38'	8+8+6+8+8
39'	8+8+7+8+8
40'	8+8+8+8+8
41'	8+6+4+5+4+6+8
42'	8+8+5+5+8+8
43'	8+6+5+5+5+6+8
44'	8+8+6+6+8+8
45'	8+8+5+3+5+8+8
46'	8+8+7+7+8+8
47'	8+8+5+5+5+8+8
48'	8+8+8+8+8+8
49'	8+8+6+5+6+8+8
50'	8+8+6+6+6+8+8

WARNING: Ground fixture in accordance with local and national electrical codes. Failure to do so may result in serious personal injury. Fixture Installations should ONLY be done by a qualified licensed electrical professional.

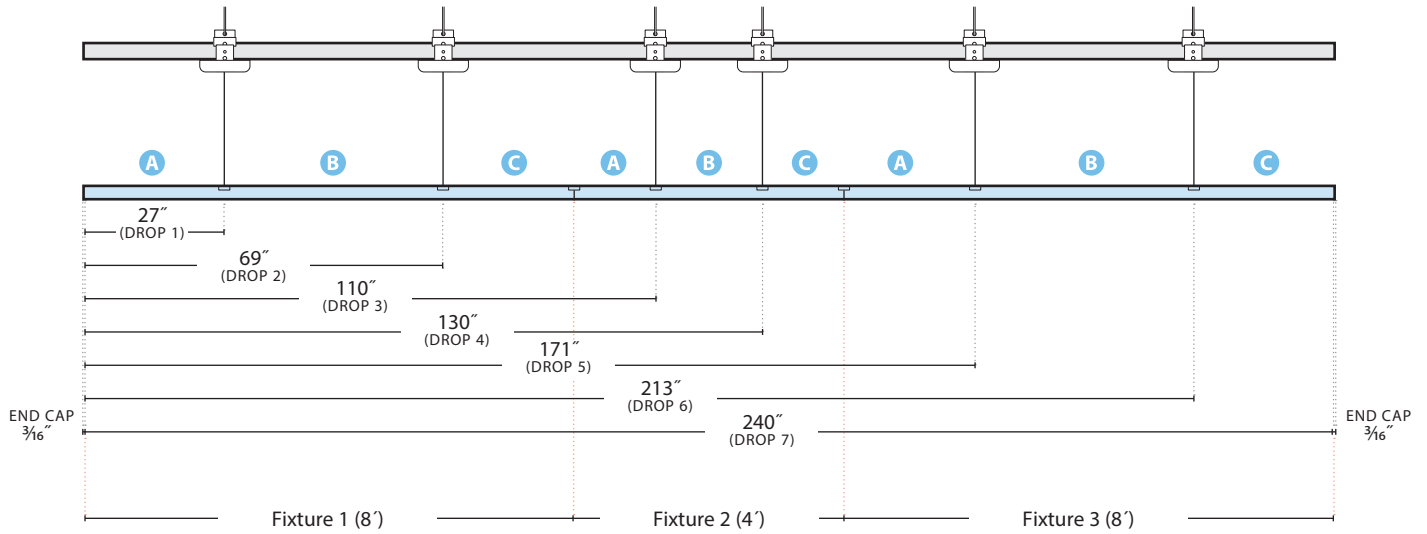


INSTALLATION INSTRUCTIONS

OFF-GRID — T-BAR CABLE MOUNT (CA-OFF)

ROW LAYOUT

20' SYMMETRIC EXAMPLE:



Fixture Length	Dim "A"	Dim "B"	Dim "C"
2' (24")	2"	20"	2"
3' (36")	8"	20"	8"
4' (48")	14"	20"	14"
5' (60")	9"	42"	9"
6' (72")	15"	42"	15"
7' (84")	21"	42"	21"
8' (96")	27"	42"	27"

WARNING: Ground fixture in accordance with local and national electrical codes. Failure to do so may result in serious personal injury. Fixture Installations should ONLY be done by a qualified licensed electrical professional.



INSTALLATION INSTRUCTIONS

OFF-GRID — T-BAR CABLE MOUNT (CA-OFF)

FIXTURE & END CAP MOUNT LOCATIONS

STANDARD FIXTURE ROW LAYOUT DIMENSIONS

ROW LENGTH	DROP													
	1	2	3	4	5	6	7	8	9	10	11	12	13	14
9'	9"	51"	74"	94"	—	—	—	—	—	—	—	—	—	—
10'	15"	57"	86"	106"	—	—	—	—	—	—	—	—	—	—
11'	21"	63"	98"	118"	—	—	—	—	—	—	—	—	—	—
12'	27"	69"	110"	130"	—	—	—	—	—	—	—	—	—	—
13'	27"	69"	105"	147"	—	—	—	—	—	—	—	—	—	—
14'	27"	69"	111"	153"	—	—	—	—	—	—	—	—	—	—
15'	21"	69"	117"	159"	—	—	—	—	—	—	—	—	—	—
16'	27"	69"	123"	165"	—	—	—	—	—	—	—	—	—	—
17'	27"	69"	105"	147"	170"	190"	—	—	—	—	—	—	—	—
18'	27"	69"	111"	153"	182"	202"	—	—	—	—	—	—	—	—
19'	21"	69"	117"	159"	194"	214"	—	—	—	—	—	—	—	—
20'	27"	69"	123"	165"	206"	226"	—	—	—	—	—	—	—	—
21'	27"	69"	123"	165"	201"	243"	—	—	—	—	—	—	—	—
22'	27"	69"	123"	165"	207"	249"	—	—	—	—	—	—	—	—
23'	21"	69"	123"	165"	213"	255"	—	—	—	—	—	—	—	—
24'	27"	69"	123"	165"	219"	261"	—	—	—	—	—	—	—	—
25'	27"	69"	123"	165"	201"	243"	266"	286"	—	—	—	—	—	—
26'	27"	69"	123"	165"	207"	249"	278"	298"	—	—	—	—	—	—
27'	27"	69"	123"	165"	213"	255"	290"	310"	—	—	—	—	—	—
28'	27"	69"	123"	165"	219"	261"	302"	322"	—	—	—	—	—	—
29'	27"	69"	123"	165"	219"	261"	297"	339"	—	—	—	—	—	—
30'	27"	69"	123"	165"	219"	261"	303"	345"	—	—	—	—	—	—
31'	27"	69"	123"	165"	219"	261"	309"	351"	—	—	—	—	—	—
32'	27"	69"	123"	165"	219"	261"	315"	357"	—	—	—	—	—	—
33'	27"	69"	123"	165"	219"	261"	297"	339"	362"	382"	—	—	—	—
34'	27"	69"	123"	165"	219"	261"	303"	345"	374"	394"	—	—	—	—
35'	27"	69"	123"	165"	219"	261"	309"	351"	386"	406"	—	—	—	—
36'	27"	69"	123"	165"	219"	261"	315"	357"	398"	418"	—	—	—	—
37'	27"	69"	123"	165"	219"	261"	315"	357"	393"	435"	—	—	—	—
38'	27"	69"	123"	165"	219"	261"	315"	357"	399"	441"	—	—	—	—
39'	27"	69"	123"	165"	219"	261"	315"	357"	405"	447"	—	—	—	—
40'	27"	69"	123"	165"	219"	261"	315"	357"	411"	453"	—	—	—	—
41'	27"	69"	123"	165"	219"	261"	315"	357"	393"	435"	458"	478"	—	—
42'	27"	69"	123"	165"	219"	261"	315"	357"	399"	441"	470"	490"	—	—
43'	27"	69"	123"	165"	219"	261"	315"	357"	405"	447"	482"	502"	—	—
44'	27"	69"	123"	165"	219"	261"	315"	357"	411"	453"	494"	514"	—	—
45'	27"	69"	123"	165"	219"	261"	315"	357"	411"	453"	489"	531"	—	—
46'	27"	69"	123"	165"	219"	261"	315"	357"	411"	453"	495"	537"	—	—
47'	27"	69"	123"	165"	219"	261"	315"	357"	411"	453"	501"	543"	—	—
48'	27"	69"	123"	165"	219"	261"	315"	357"	411"	453"	507"	549"	—	—
49'	27"	69"	123"	165"	219"	261"	315"	357"	411"	453"	489"	531"	554"	574"
50'	27"	69"	123"	165"	219"	261"	315"	357"	411"	453"	495"	537"	566"	586"

WARNING: Ground fixture in accordance with local and national electrical codes. Failure to do so may result in serious personal injury. Fixture Installations should ONLY be done by a qualified licensed electrical professional.



INSTALLATION INSTRUCTIONS

FIXTURE & END CAP MOUNT LOCATIONS

SYMMETRIC FIXTURE ROW LAYOUT DIMENSIONS

ROW LENGTH	DROP													
	1	2	3	4	5	6	7	8	9	10	11	12	13	14
9'	8"	28"	44"	64"	80"	100"	—	—	—	—	—	—	—	—
10'	9"	51"	69"	111"	—	—	—	—	—	—	—	—	—	—
11'	14"	34"	56"	76"	98"	118"	—	—	—	—	—	—	—	—
12'	15"	57"	87"	129"	—	—	—	—	—	—	—	—	—	—
13'	14"	34"	57"	99"	122"	142"	—	—	—	—	—	—	—	—
14'	21"	63"	105"	147"	—	—	—	—	—	—	—	—	—	—
15'	9"	51"	69"	111"	129"	171"	—	—	—	—	—	—	—	—
16'	27"	69"	123"	165"	—	—	—	—	—	—	—	—	—	—
17'	15"	57"	81"	123"	147"	189"	—	—	—	—	—	—	—	—
18'	15"	57"	87"	129"	159"	201"	—	—	—	—	—	—	—	—
19'	15"	57"	93"	135"	171"	213"	—	—	—	—	—	—	—	—
*20'	27"	69"	110"	130"	171"	213"	—	—	—	—	—	—	—	—
21'	27"	69"	105"	147"	183"	225"	—	—	—	—	—	—	—	—
22'	27"	69"	111"	153"	195"	237"	—	—	—	—	—	—	—	—
23'	27"	69"	117"	159"	207"	249"	—	—	—	—	—	—	—	—
24'	27"	69"	123"	165"	219"	261"	—	—	—	—	—	—	—	—
25'	15"	57"	86"	106"	129"	171"	194"	214"	243"	285"	—	—	—	—
26'	27"	69"	105"	147"	165"	207"	243"	285"	—	—	—	—	—	—
27'	15"	57"	81"	123"	141"	183"	201"	243"	267"	309"	—	—	—	—
28'	27"	69"	111"	153"	183"	225"	267"	309"	—	—	—	—	—	—
29'	27"	69"	105"	147"	164"	184"	201"	243"	279"	321"	—	—	—	—
30'	27"	69"	117"	159"	201"	243"	291"	333"	—	—	—	—	—	—
31'	27"	69"	105"	147"	165"	207"	225"	267"	303"	345"	—	—	—	—
32'	27"	69"	123"	165"	219"	261"	315"	357"	—	—	—	—	—	—
33'	27"	69"	111"	153"	177"	219"	243"	285"	327"	369"	—	—	—	—
34'	27"	69"	111"	153"	183"	225"	255"	297"	339"	381"	—	—	—	—
35'	27"	69"	117"	159"	189"	231"	261"	303"	351"	393"	—	—	—	—
36'	27"	69"	123"	165"	206"	226"	267"	309"	363"	405"	—	—	—	—
37'	27"	69"	123"	165"	201"	243"	279"	321"	375"	417"	—	—	—	—
38'	27"	69"	123"	165"	207"	249"	291"	333"	387"	429"	—	—	—	—
39'	27"	69"	123"	165"	213"	255"	303"	345"	399"	441"	—	—	—	—
40'	27"	69"	123"	165"	219"	261"	315"	357"	411"	453"	—	—	—	—
41'	27"	69"	111"	153"	182"	202"	225"	267"	290"	310"	339"	381"	423"	465"
42'	27"	69"	123"	165"	201"	243"	261"	303"	339"	381"	435"	477"	—	—
43'	27"	69"	111"	153"	177"	219"	237"	279"	297"	339"	363"	405"	447"	489"
44'	27"	69"	123"	165"	207"	249"	279"	321"	363"	405"	459"	501"	—	—
45'	27"	69"	123"	165"	201"	243"	260"	280"	297"	339"	375"	417"	471"	513"
46'	27"	69"	123"	165"	213"	255"	297"	339"	387"	429"	483"	525"	—	—
47'	27"	69"	123"	165"	201"	243"	261"	303"	321"	363"	399"	441"	495"	537"
48'	27"	69"	123"	165"	219"	261"	315"	357"	411"	453"	507"	549"	—	—
49'	27"	69"	123"	165"	207"	249"	273"	315"	339"	381"	423"	465"	519"	561"
50'	27"	69"	123"	165"	207"	249"	279"	321"	351"	393"	435"	477"	531"	573"

* See page 4 for row layout example

WARNING: Ground fixture in accordance with local and national electrical codes. Failure to do so may result in serious personal injury. Fixture Installations should ONLY be done by a qualified licensed electrical professional.

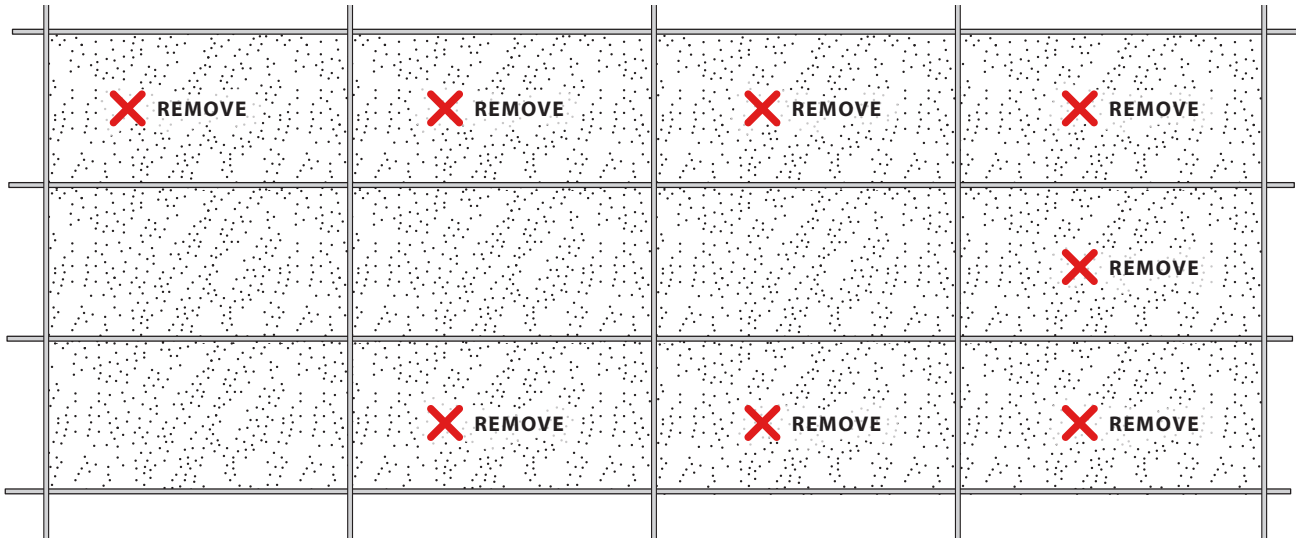


INSTALLATION INSTRUCTIONS

OFF-GRID — T-BAR CABLE MOUNT (CA-OFF)

INSTALLATION

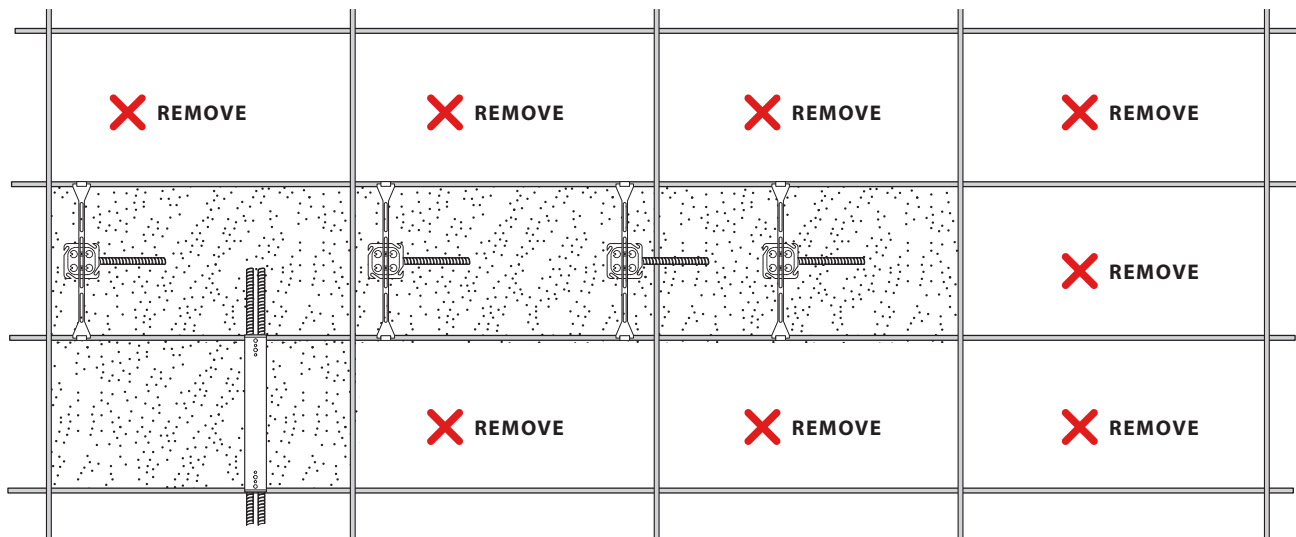
- 1) Determine where fixture will go and place tiles where fan brackets (by others) will be over.
 Remove all surrounding tiles for ease of access.
 Make sure power drops are 2" away from grid.
 Place fan brackets center to center in accordance with the symmetric fixture row layout.



When fixtures are in rows replace tiles that the fan bracket is above
 The fan bracket can be adjusted along the tbar in adjacent squares
 Sequence of fixture lengths have to match the layout of fan brackets laid out

CORRECT: 20' = 8' + 4' + 8' (per symmetric table layout)

INCORRET: 20' = 4' + 8' + 8'



WARNING: Ground fixture in accordance with local and national electrical codes. Failure to do so may result in serious personal injury.
 Fixture Installations should ONLY be done by a qualified licensed electrical professional.

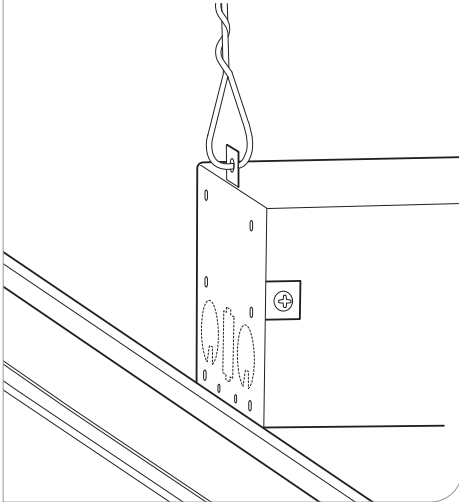


INSTALLATION INSTRUCTIONS

ON-GRID — T-BAR

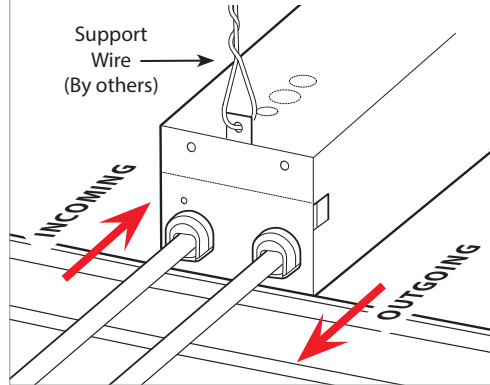
REMOTE BOX INSTALLATION

2) Secure RRB to structure using tie back mount box no more than 4' away from fixture mount bar.



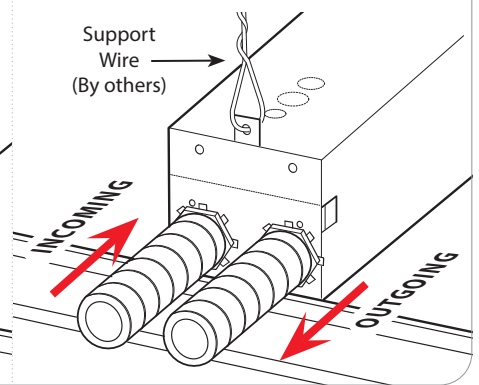
3) LINE VOLTAGE PLENUM

Connect incoming line voltage with plenum rated cord (by others) to box. — Not for use in HVAC areas
FOR MULTIPLE BOXES: Connect outgoing line voltage with plenum rated cord.

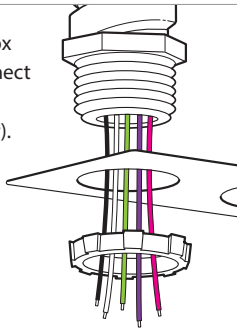


PLENUM

Connect incoming line voltage with flex (by others) to box.
FOR MULTIPLE BOXES: Connect outgoing line voltage with flex (by others).



4) Attach flex to box via KO, and connect correct wires. (see table below).

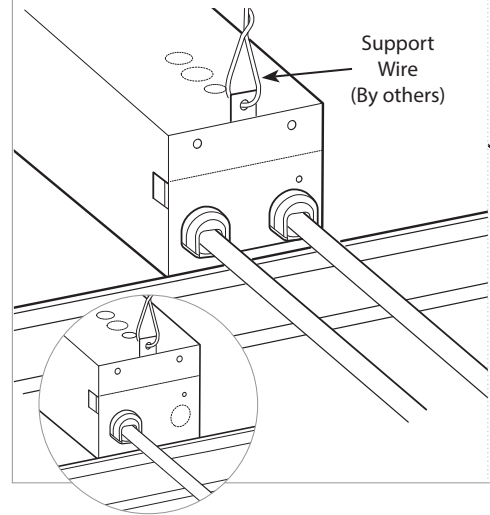


WIRING:

0-10V (+) : PURPLE	0-10V (-) : PINK
DALI (+) : PURPLE	DALI (-) : PINK
EcoSystem DALI (+) : PURPLE	EcoSystem DALI (-) : PINK
HOT : BLACK	
NEUTRAL : WHITE	
GROUND : GREEN	
CONSTANT HOT (EM) : RED	

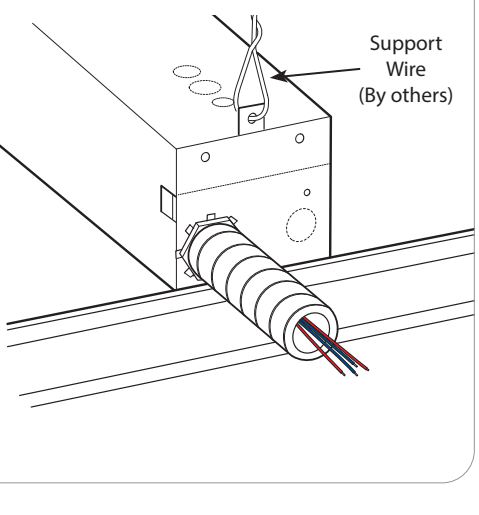
5) LOW VOLTAGE PLENUM

Use 8' cable provided to connect box to fixture mount bar.



PLENUM

For plenum use flex or plenum rated cord to connect box to fixture mount bar.



WARNING: Ground fixture in accordance with local and national electrical codes. Failure to do so may result in serious personal injury. Fixture installations should ONLY be done by a qualified licensed electrical professional.



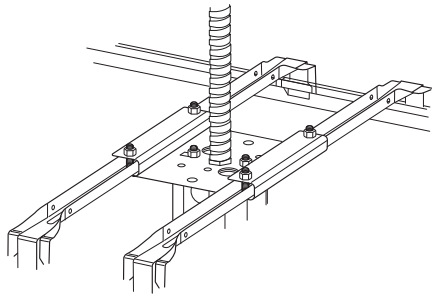
INSTALLATION INSTRUCTIONS

OFF-GRID — T-BAR CABLE MOUNT (CA-OFF)

6 LINE VOLTAGE

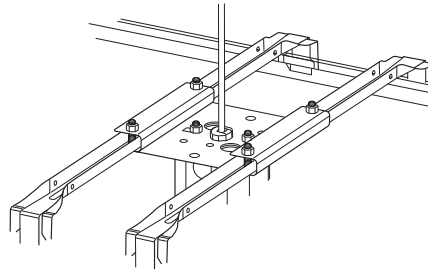
PLENUM

Connect low voltage cable provided to spanner bracket in the appropriate locations and connectors.

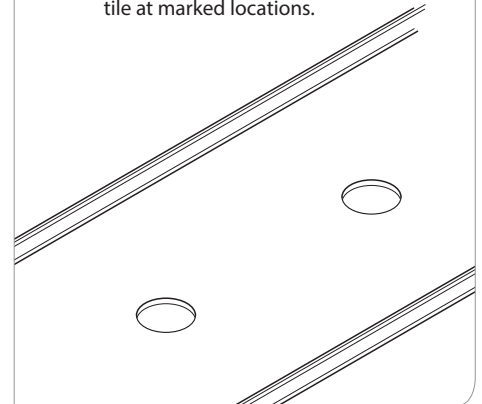


PLENUM

Connect low voltage flex/plenum rated wire with proper strain relief to spanner bracket in the appropriate locations and connectors.

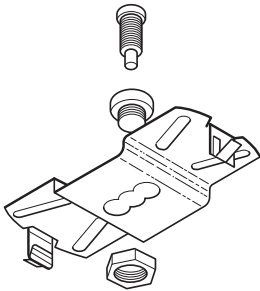


7) Mark position of each fixture power drop on to the tile according to drop table cut 4" to 5" diameter holes in tile at marked locations.

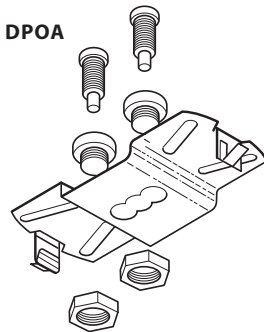


8) Attach the griplock connector, insulation grommet and nut to POA/SJT bracket.

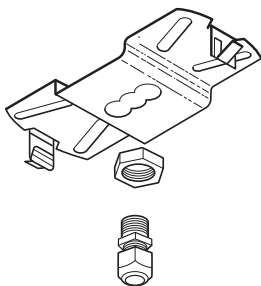
SPOA



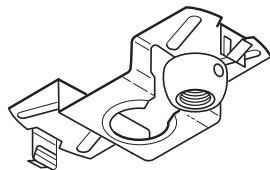
DPOA



SJT



STEM

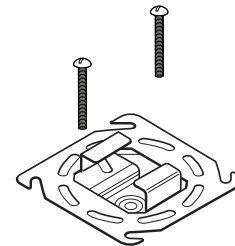


9) Use bolts provided from the top of mount and the nuts provided to attach bracket from the bottom to the plaster plate loosely on to the tile.

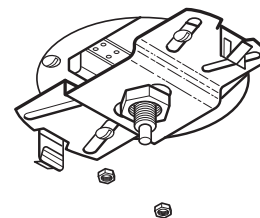
Allow for some adjustment.

This step is the same for all mounting types.

ABOVE CEILING VIEW:



BELOW CEILING VIEW:



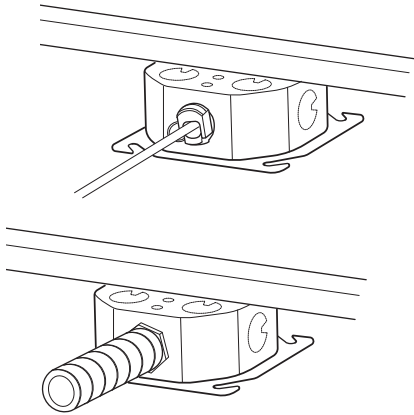
WARNING: Ground fixture in accordance with local and national electrical codes. Failure to do so may result in serious personal injury. Fixture Installations should ONLY be done by a qualified licensed electrical professional.



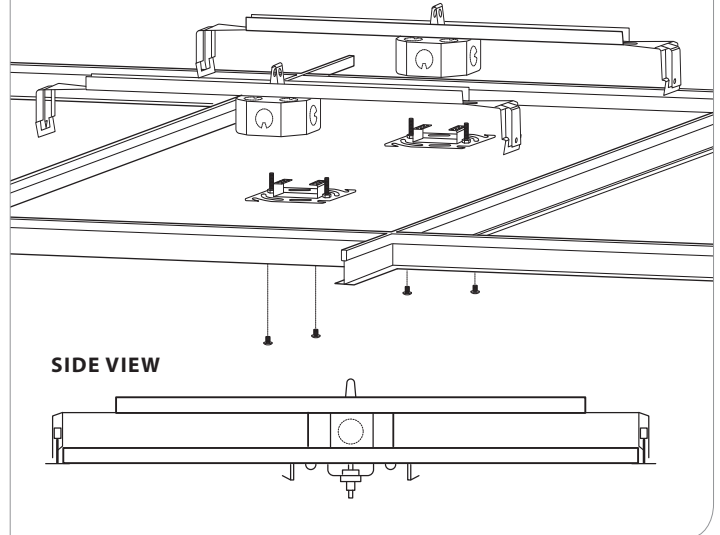
INSTALLATION INSTRUCTIONS

OFF-GRID — T-BAR CABLE MOUNT (CA-OFF)

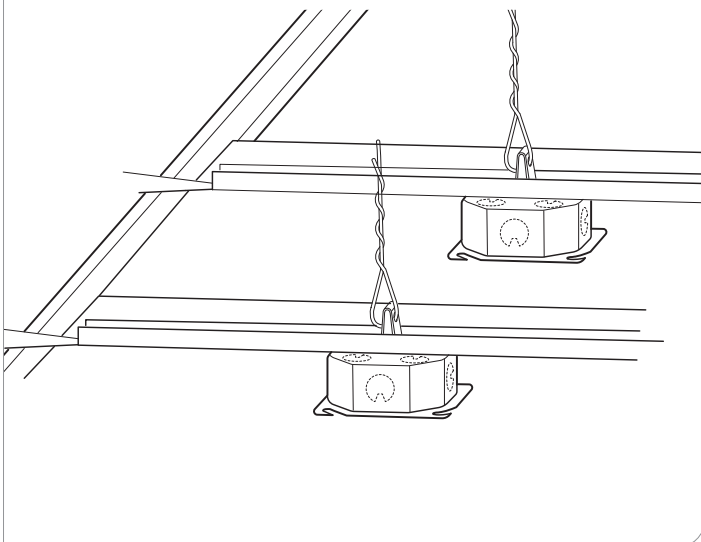
- 10)** Place fan bracket (by others and with connected j-box (4x4 preferred) on top of plaster plate. Attach fan bracket to t-bar and connect.



- 11)** Place fan bracket (by others and with connected J-box (4x4 preferred) on top of plaster plate. Attach fan bracket to t-bar and connect.



- 12)** Secure fan bracket to structure using wire tie.



WARNING: Ground fixture in accordance with local and national electrical codes. Failure to do so may result in serious personal injury. Fixture Installations should ONLY be done by a qualified licensed electrical professional.

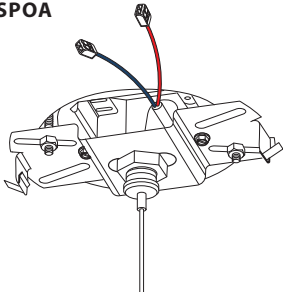


INSTALLATION INSTRUCTIONS

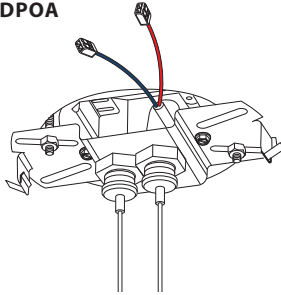
OFF-GRID — T-BAR CABLE MOUNT (CA-OFF)

- 13)** Run POA cable from fixture through griplock holder. Pull POA cable and wires from flex/SJT (remote box outside for ease of connect). Place PVC/heat shrink over POA cable making sure it is covering the cable back to the base of the griplock. Attach wago, and **MAKE SURE NONE OF THE POA CABLE IS EXPOSED AFTER THE GRIPLOCK HOLDER.** Connect correct wire to wago. After you connect and ensure power to fixture tuck wires back in to box. Make sure all screws and nuts are secured tightly.

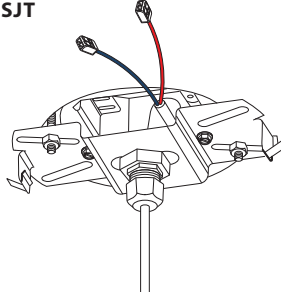
SPOA



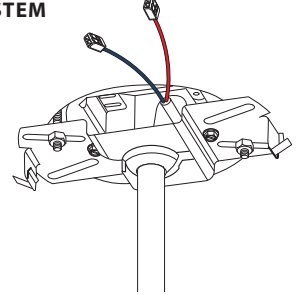
DPOA



SJT

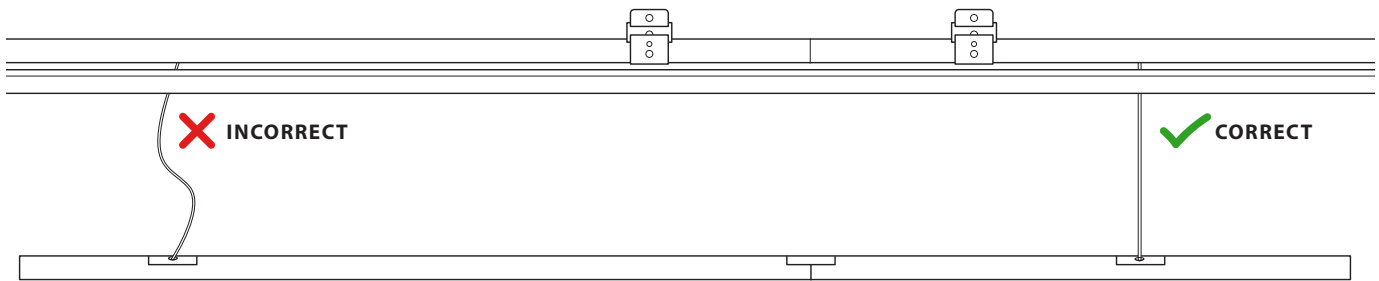


STEM

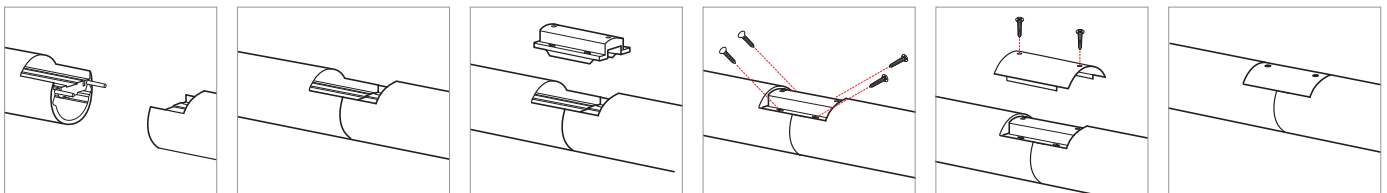


- 14)** To level all fixtures in a row, make sure cables/SJT is approximately the same length and taut after joining fixtures, then fine adjustments of the cables/SJT can be made to make sure all fixtures are level.

- Show cross section of mounting setup for leveling purposes level fixtures adjusting aircraft cable length with grippers.
- Join fixtures.
- Make sure all cables are taut.
- Make changes to connecting setup.



CONNECTING SETUP



WARNING: Ground fixture in accordance with local and national electrical codes. Failure to do so may result in serious personal injury. Fixture Installations should ONLY be done by a qualified licensed electrical professional.

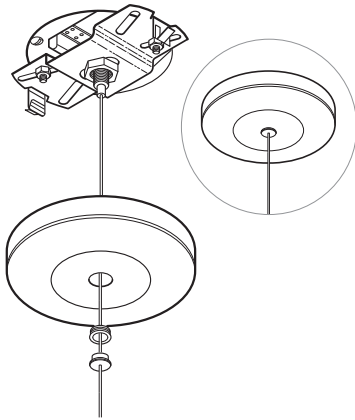


INSTALLATION INSTRUCTIONS

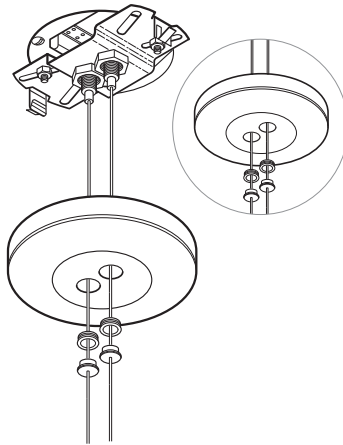
OFF-GRID — T-BAR CABLE MOUNT (CA-OFF)

15) Lift the canopy cover and insert the plastic grommet and POA finish plate.

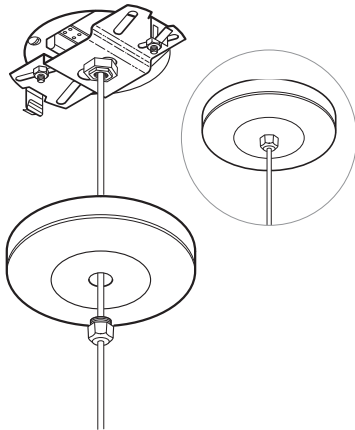
SPOA



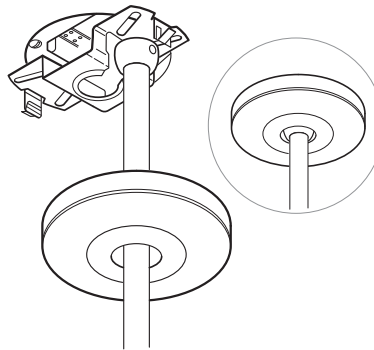
DPOA



SJT



STEM



WARNING: Ground fixture in accordance with local and national electrical codes. Failure to do so may result in serious personal injury. Fixture Installations should ONLY be done by a qualified licensed electrical professional.



INSTALLATION INSTRUCTIONS

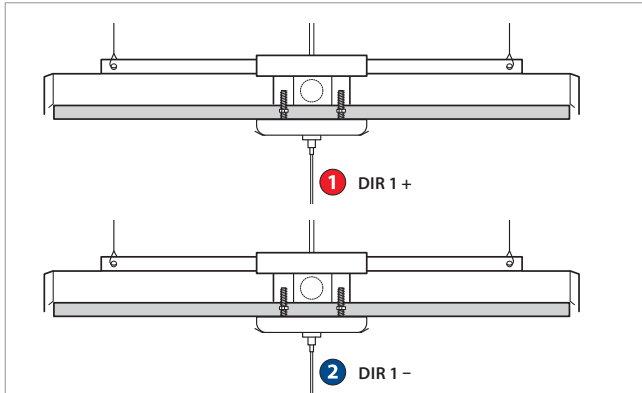
OFF-GRID — T-BAR CABLE MOUNT (CA-OFF)

- 15)** — Cut the cable leaving 2" of exposed cable.
 — Cover using PVC sleeve (supplied).
 — Attach wago.

- Make sure no cable is exposed after griplock.
 — Run SJT from remote box to correct grip lock through cover and match labels and make connection to wago.
 — Test light.

Connect the SJT cord coming into cover to wagos (extend with correctly rated wire if needed)
 Make sure to connect the corresponding labels to eachother

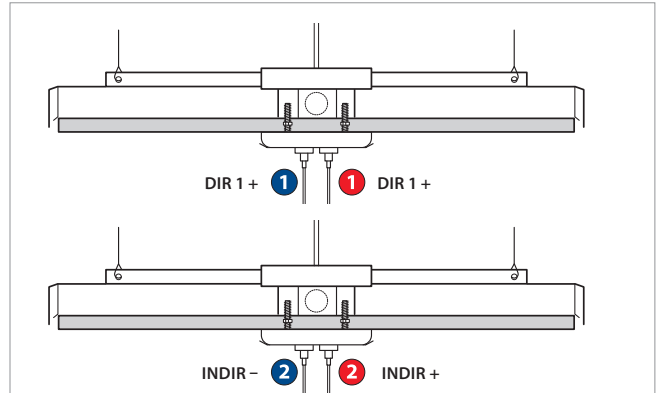
SPOA — POWER OVER AIRCRAFT



DC POWER WIRES (LOW VOLTAGE):

CABLE	LABEL	COLOR	DESCRIPTION
1	DIR 1 +	RED	DIRECT LIGHT DRIVER 1 POSITIVE +
—	—	BLUE	DO NOT USE
—	—	RED	DO NOT USE
2	DIR1 -	BLUE	DIRECT LIGHT DRIVER 1 NEGATIVE -

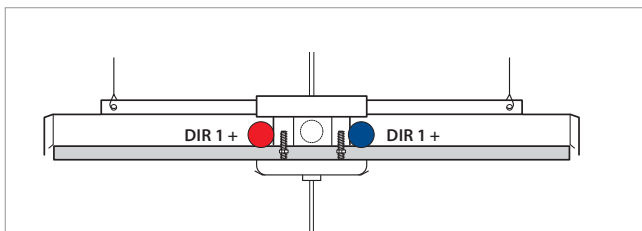
DPOA — POWER OVER AIRCRAFT



DC POWER WIRES (LOW VOLTAGE):

CABLE	LABEL	COLOR	DESCRIPTION
1	DIR 1 +	RED	DIRECT LIGHT DRIVER 1 POSITIVE +
1	DIR 1 -	BLUE	DIRECT LIGHT DRIVER 1 NEGATIVE -
2	INDIR +	RED	INDIRECT LIGHT DRIVER POSITIVE +
2	INDIR -	BLUE	INDIRECT LIGHT DRIVER NEGATIVE -

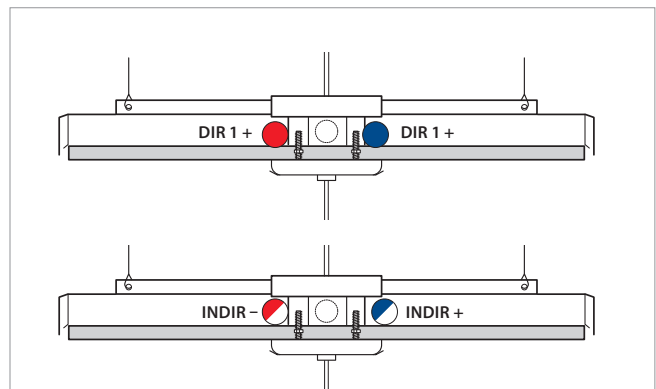
SJT



DC POWER WIRES (LOW VOLTAGE):

CABLE	LABEL	COLOR	DESCRIPTION
●	DIR 1 +	RED	DIRECT LIGHT DRIVER 1 POSITIVE +
●	DIR 1 -	BLUE	DIRECT LIGHT DRIVER 1 NEGATIVE +

STEM



DC POWER WIRES (LOW VOLTAGE):

CABLE	LABEL	COLOR	DESCRIPTION
1	DIR 1 +	RED	DIRECT LIGHT DRIVER 1 POSITIVE +
1	DIR 1 -	BLUE	DIRECT LIGHT DRIVER 1 NEGATIVE +
2	INDIR +	RED/WHITE	INDIRECT LIGHT DRIVER POSITIVE +
2	INDIR -	BLUE/WHITE	INDIRECT LIGHT DRIVER NEGATIVE -

WARNING: Ground fixture in accordance with local and national electrical codes. Failure to do so may result in serious personal injury.
 Fixture Installations should ONLY be done by a qualified licensed electrical professional.