



INSTALLATION INSTRUCTIONS

GPT — PIERCED TILE

PART	PART NO.	DESCRIPTION
FIXTURE MOUNT SHIP KIT:		
	135377	2' —
	135378	3' —
	135379	4' —
	135380	5' — Fixture Mount Bar
	135381	6' —
	135382	7' —
	135383	8' —
FIXTURE MOUNT COVER:		
	154739	Long For 2', 3' & 4' Fixtures
	154740	Short For 5', 6', 7' & 8' Fixtures
	163472	Mount Rail
	100-00326-14	White Heyco Strain Relief
	100-00018-14	#6-32 1/4" Phillips Pan Head, Type F
	100-00047-014	#8-32 3/8" HWH SL Self Tap
	135720	Fixture Mount Retaining Plate

GROMMETS:		
SPOA		100-00408-14 Single Power Over Aircraft (SPOA)
		100-00413-14 #5/16-18 Plastic Hex Nut
DPOA+SJT		100-00409-14 Universal Power Over Aircraft (DPOA + SJT)
		100-00412-14 #3/4-10 Plastic Hex Nut

PVC SLEEVE 105C VW-1 STRIPED CUT 5.5":

SINGLE CIRCUIT:		
	100-01122-09	Red
	100-01123-09	Blue
DUAL CIRCUIT:		
	100-01120-09	White with Red Stripe
	100-01121-09	White with Blue Stripe
	100-00126-09	2 Conductor Wago Compact Connector

PART	PART NO.	DESCRIPTION
REMOTE BOX TOP KIT:		
	135721	Recessed Remote Box (with Lid)

POWER OVER AIRCRAFT (POA) KIT:

	100-00158-08	106"
--	--------------	------

STRAIN RELIEF:

	100-00400-14	Black
	100-00401-14	White

BLANK COVER (ROWS ONLY):

	100-00128-03	Standard
	100-00132-03	Louver
	100-00375-14	#18-8 SS 2 3/8" Flat Head Screw
	100-00491-10	Pru1 Aligner

FINISH COLOR MATCHES FIXTURE

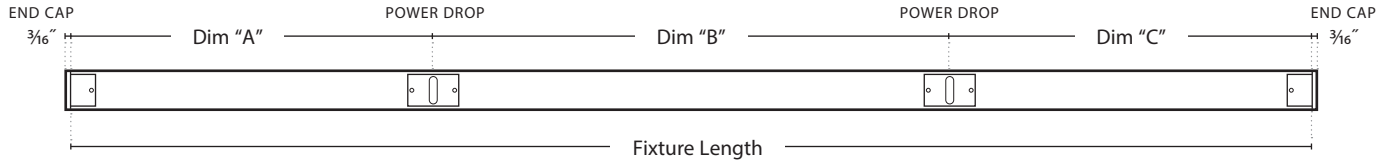
WARNING: Ground fixture in accordance with local and national electrical codes. Failure to do so may result in serious personal injury. Fixture Installations should ONLY be done by a qualified licensed electrical professional.



INSTALLATION INSTRUCTIONS

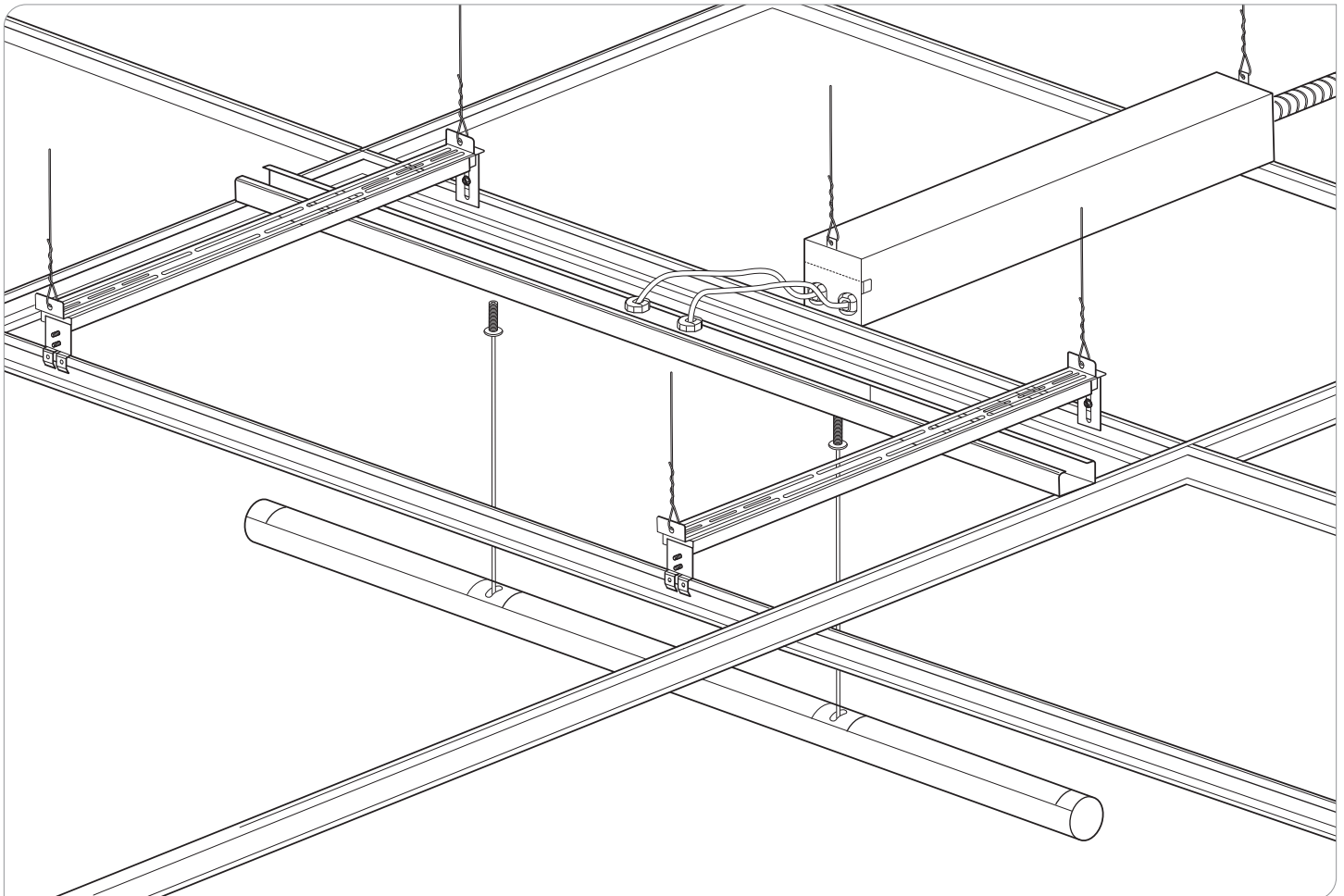
GPT — PIERCED TILE

INDIVIDUAL MOUNTING DIMENSIONS



Fixture Length	Dim "A"	Dim "B"	Dim "C"
2' (24")	2"	20"	2"
3' (36")	8"	20"	8"
4' (48")	14"	20"	14"
5' (60")	9"	42"	9"
6' (72")	15"	42"	15"
7' (84")	21"	42"	21"
8' (96")	27"	42"	27"

EXPLODED VIEW



WARNING: Ground fixture in accordance with local and national electrical codes. Failure to do so may result in serious personal injury. Fixture Installations should ONLY be done by a qualified licensed electrical professional.



INSTALLATION INSTRUCTIONS

GPT — PIERCED TILE

ROW FIXTURE MOUNT

STANDARD FIXTURE ROW LAYOUT

ROW LENGTH	FIXTURE ROW
9'	5+4
10'	6+4
11'	7+4
12'	8+4
13'	8+5
14'	8+6
15'	8+7
16'	8+8
17'	8+5+4
18'	8+6+4
19'	8+7+4
20'	8+8+4
21'	8+8+5
22'	8+8+6
23'	8+8+7
24'	8+8+8
25'	8+8+5+4
26'	8+8+6+4
27'	8+8+7+4
28'	8+8+8+4
29'	8+8+8+5
30'	8+8+8+6
31'	8+8+8+7
32'	8+8+8+8
33'	8+8+8+5+4
34'	8+8+8+6+4
35'	8+8+8+7+4
36'	8+8+8+8+4
37'	8+8+8+8+5
38'	8+8+8+8+6
39'	8+8+8+8+7
40'	8+8+8+8+8
41'	8+8+8+8+5+4
42'	8+8+8+8+6+4
43'	8+8+8+8+7+4
44'	8+8+8+8+8+4
45'	8+8+8+8+8+5
46'	8+8+8+8+8+6
47'	8+8+8+8+8+7
48'	8+8+8+8+8+8
49'	8+8+8+8+8+5+4
50'	8+8+8+8+8+6+4

SYMMETRIC FIXTURE ROW LAYOUT

ROW LENGTH	FIXTURE ROW
9'	3+3+3
10'	5+5
11'	4+3+4
12'	6+6
13'	4+5+4
14'	7+7
15'	5+5+5
16'	8+8
17'	6+5+6
18'	6+6+6
19'	6+7+6
20'	8+4+8
21'	8+5+8
22'	8+6+8
23'	8+7+8
24'	8+8+8
25'	6+4+5+4+6
26'	8+5+5+8
27'	6+5+5+5+6
28'	8+6+6+8
29'	8+5+3+5+8
30'	8+7+7+8
31'	8+5+5+5+8
32'	8+8+8+8
33'	8+6+5+6+8
34'	8+6+6+6+8
35'	8+7+5+7+8
36'	8+8+4+8+8
37'	8+8+5+8+8
38'	8+8+6+8+8
39'	8+8+7+8+8
40'	8+8+8+8+8
41'	8+6+4+5+4+6+8
42'	8+8+5+5+8+8
43'	8+6+5+5+5+6+8
44'	8+8+6+6+8+8
45'	8+8+5+3+5+8+8
46'	8+8+7+7+8+8
47'	8+8+5+5+5+8+8
48'	8+8+8+8+8+8
49'	8+8+6+5+6+8+8
50'	8+8+6+6+6+8+8

WARNING: Ground fixture in accordance with local and national electrical codes. Failure to do so may result in serious personal injury. Fixture Installations should ONLY be done by a qualified licensed electrical professional.

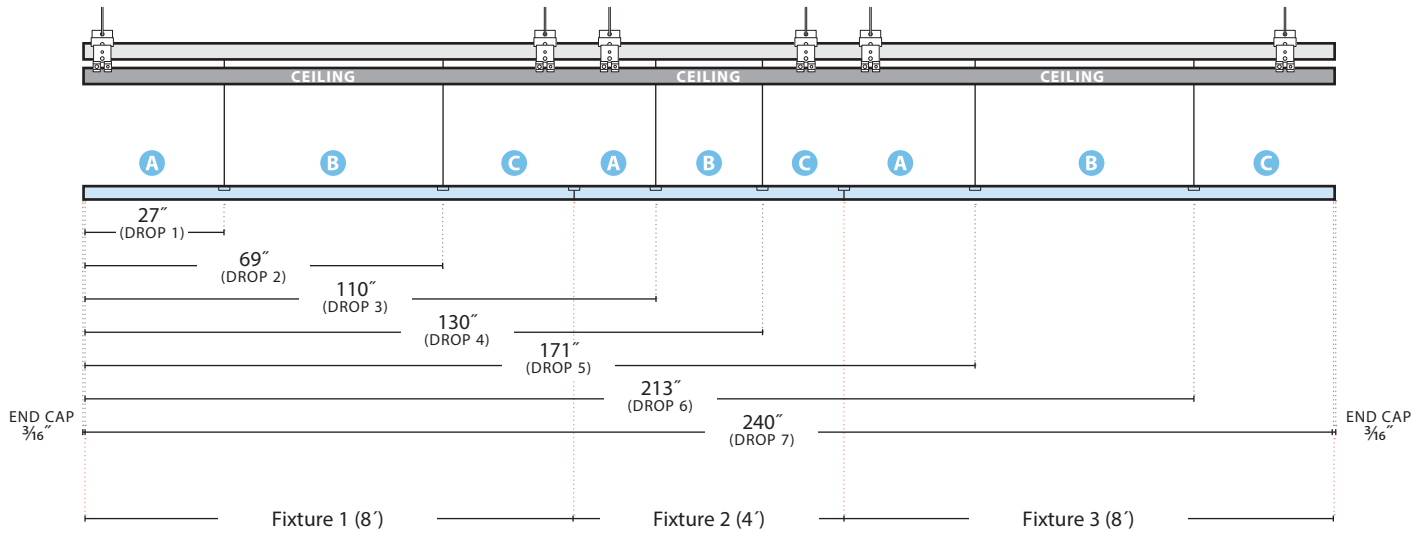


INSTALLATION INSTRUCTIONS

GPT — PIERCED TILE

ROW LAYOUT

20' SYMMETRIC EXAMPLE:



Fixture Length	Dim "A"	Dim "B"	Dim "C"
2' (24")	2"	20"	2"
3' (36")	8"	20"	8"
4' (48")	14"	20"	14"
5' (60")	9"	42"	9"
6' (72")	15"	42"	15"
7' (84")	21"	42"	21"
8' (96")	27"	42"	27"

WARNING: Ground fixture in accordance with local and national electrical codes. Failure to do so may result in serious personal injury. Fixture Installations should ONLY be done by a qualified licensed electrical professional.



INSTALLATION INSTRUCTIONS

FIXTURE & END CAP MOUNT LOCATIONS

STANDARD FIXTURE ROW LAYOUT DIMENSIONS

ROW LENGTH	DROP													
	1	2	3	4	5	6	7	8	9	10	11	12	13	14
9'	9"	51"	74"	94"	—	—	—	—	—	—	—	—	—	—
10'	15"	57"	86"	106"	—	—	—	—	—	—	—	—	—	—
11'	21"	63"	98"	118"	—	—	—	—	—	—	—	—	—	—
12'	27"	69"	110"	130"	—	—	—	—	—	—	—	—	—	—
13'	27"	69"	105"	147"	—	—	—	—	—	—	—	—	—	—
14'	27"	69"	111"	153"	—	—	—	—	—	—	—	—	—	—
15'	21"	69"	117"	159"	—	—	—	—	—	—	—	—	—	—
16'	27"	69"	123"	165"	—	—	—	—	—	—	—	—	—	—
17'	27"	69"	105"	147"	170"	190"	—	—	—	—	—	—	—	—
18'	27"	69"	111"	153"	182"	202"	—	—	—	—	—	—	—	—
19'	21"	69"	117"	159"	194"	214"	—	—	—	—	—	—	—	—
20'	27"	69"	123"	165"	206"	226"	—	—	—	—	—	—	—	—
21'	27"	69"	123"	165"	201"	243"	—	—	—	—	—	—	—	—
22'	27"	69"	123"	165"	207"	249"	—	—	—	—	—	—	—	—
23'	21"	69"	123"	165"	213"	255"	—	—	—	—	—	—	—	—
24'	27"	69"	123"	165"	219"	261"	—	—	—	—	—	—	—	—
25'	27"	69"	123"	165"	201"	243"	266"	286"	—	—	—	—	—	—
26'	27"	69"	123"	165"	207"	249"	278"	298"	—	—	—	—	—	—
27'	27"	69"	123"	165"	213"	255"	290"	310"	—	—	—	—	—	—
28'	27"	69"	123"	165"	219"	261"	302"	322"	—	—	—	—	—	—
29'	27"	69"	123"	165"	219"	261"	297"	339"	—	—	—	—	—	—
30'	27"	69"	123"	165"	219"	261"	303"	345"	—	—	—	—	—	—
31'	27"	69"	123"	165"	219"	261"	309"	351"	—	—	—	—	—	—
32'	27"	69"	123"	165"	219"	261"	315"	357"	—	—	—	—	—	—
33'	27"	69"	123"	165"	219"	261"	297"	339"	362"	382"	—	—	—	—
34'	27"	69"	123"	165"	219"	261"	303"	345"	374"	394"	—	—	—	—
35'	27"	69"	123"	165"	219"	261"	309"	351"	386"	406"	—	—	—	—
36'	27"	69"	123"	165"	219"	261"	315"	357"	398"	418"	—	—	—	—
37'	27"	69"	123"	165"	219"	261"	315"	357"	393"	435"	—	—	—	—
38'	27"	69"	123"	165"	219"	261"	315"	357"	399"	441"	—	—	—	—
39'	27"	69"	123"	165"	219"	261"	315"	357"	405"	447"	—	—	—	—
40'	27"	69"	123"	165"	219"	261"	315"	357"	411"	453"	—	—	—	—
41'	27"	69"	123"	165"	219"	261"	315"	357"	393"	435"	458"	478"	—	—
42'	27"	69"	123"	165"	219"	261"	315"	357"	399"	441"	470"	490"	—	—
43'	27"	69"	123"	165"	219"	261"	315"	357"	405"	447"	482"	502"	—	—
44'	27"	69"	123"	165"	219"	261"	315"	357"	411"	453"	494"	514"	—	—
45'	27"	69"	123"	165"	219"	261"	315"	357"	411"	453"	489"	531"	—	—
46'	27"	69"	123"	165"	219"	261"	315"	357"	411"	453"	495"	537"	—	—
47'	27"	69"	123"	165"	219"	261"	315"	357"	411"	453"	501"	543"	—	—
48'	27"	69"	123"	165"	219"	261"	315"	357"	411"	453"	507"	549"	—	—
49'	27"	69"	123"	165"	219"	261"	315"	357"	411"	453"	489"	531"	554"	574"
50'	27"	69"	123"	165"	219"	261"	315"	357"	411"	453"	495"	537"	566"	586"

WARNING: Ground fixture in accordance with local and national electrical codes. Failure to do so may result in serious personal injury. Fixture Installations should ONLY be done by a qualified licensed electrical professional.



INSTALLATION INSTRUCTIONS

GPT — PIERCED TILE

FIXTURE & END CAP MOUNT LOCATIONS

SYMMETRIC FIXTURE ROW LAYOUT DIMENSIONS

ROW LENGTH	DROP													
	1	2	3	4	5	6	7	8	9	10	11	12	13	14
9'	8"	28"	44"	64"	80"	100"	—	—	—	—	—	—	—	—
10'	9"	51"	69"	111"	—	—	—	—	—	—	—	—	—	—
11'	14"	34"	56"	76"	98"	118"	—	—	—	—	—	—	—	—
12'	15"	57"	87"	129"	—	—	—	—	—	—	—	—	—	—
13'	14"	34"	57"	99"	122"	142"	—	—	—	—	—	—	—	—
14'	21"	63"	105"	147"	—	—	—	—	—	—	—	—	—	—
15'	9"	51"	69"	111"	129"	171"	—	—	—	—	—	—	—	—
16'	27"	69"	123"	165"	—	—	—	—	—	—	—	—	—	—
17'	15"	57"	81"	123"	147"	189"	—	—	—	—	—	—	—	—
18'	15"	57"	87"	129"	159"	201"	—	—	—	—	—	—	—	—
19'	15"	57"	93"	135"	171"	213"	—	—	—	—	—	—	—	—
*20'	27"	69"	110"	130"	171"	213"	—	—	—	—	—	—	—	—
21'	27"	69"	105"	147"	183"	225"	—	—	—	—	—	—	—	—
22'	27"	69"	111"	153"	195"	237"	—	—	—	—	—	—	—	—
23'	27"	69"	117"	159"	207"	249"	—	—	—	—	—	—	—	—
24'	27"	69"	123"	165"	219"	261"	—	—	—	—	—	—	—	—
25'	15"	57"	86"	106"	129"	171"	194"	214"	243"	285"	—	—	—	—
26'	27"	69"	105"	147"	165"	207"	243"	285"	—	—	—	—	—	—
27'	15"	57"	81"	123"	141"	183"	201"	243"	267"	309"	—	—	—	—
28'	27"	69"	111"	153"	183"	225"	267"	309"	—	—	—	—	—	—
29'	27"	69"	105"	147"	164"	184"	201"	243"	279"	321"	—	—	—	—
30'	27"	69"	117"	159"	201"	243"	291"	333"	—	—	—	—	—	—
31'	27"	69"	105"	147"	165"	207"	225"	267"	303"	345"	—	—	—	—
32'	27"	69"	123"	165"	219"	261"	315"	357"	—	—	—	—	—	—
33'	27"	69"	111"	153"	177"	219"	243"	285"	327"	369"	—	—	—	—
34'	27"	69"	111"	153"	183"	225"	255"	297"	339"	381"	—	—	—	—
35'	27"	69"	117"	159"	189"	231"	261"	303"	351"	393"	—	—	—	—
36'	27"	69"	123"	165"	206"	226"	267"	309"	363"	405"	—	—	—	—
37'	27"	69"	123"	165"	201"	243"	279"	321"	375"	417"	—	—	—	—
38'	27"	69"	123"	165"	207"	249"	291"	333"	387"	429"	—	—	—	—
39'	27"	69"	123"	165"	213"	255"	303"	345"	399"	441"	—	—	—	—
40'	27"	69"	123"	165"	219"	261"	315"	357"	411"	453"	—	—	—	—
41'	27"	69"	111"	153"	182"	202"	225"	267"	290"	310"	339"	381"	423"	465"
42'	27"	69"	123"	165"	201"	243"	261"	303"	339"	381"	435"	477"	—	—
43'	27"	69"	111"	153"	177"	219"	237"	279"	297"	339"	363"	405"	447"	489"
44'	27"	69"	123"	165"	207"	249"	279"	321"	363"	405"	459"	501"	—	—
45'	27"	69"	123"	165"	201"	243"	260"	280"	297"	339"	375"	417"	471"	513"
46'	27"	69"	123"	165"	213"	255"	297"	339"	387"	429"	483"	525"	—	—
47'	27"	69"	123"	165"	201"	243"	261"	303"	321"	363"	399"	441"	495"	537"
48'	27"	69"	123"	165"	219"	261"	315"	357"	411"	453"	507"	549"	—	—
49'	27"	69"	123"	165"	207"	249"	273"	315"	339"	381"	423"	465"	519"	561"
50'	27"	69"	123"	165"	207"	249"	279"	321"	351"	393"	435"	477"	531"	573"

* See page 4 for row layout example

WARNING: Ground fixture in accordance with local and national electrical codes. Failure to do so may result in serious personal injury. Fixture Installations should ONLY be done by a qualified licensed electrical professional.

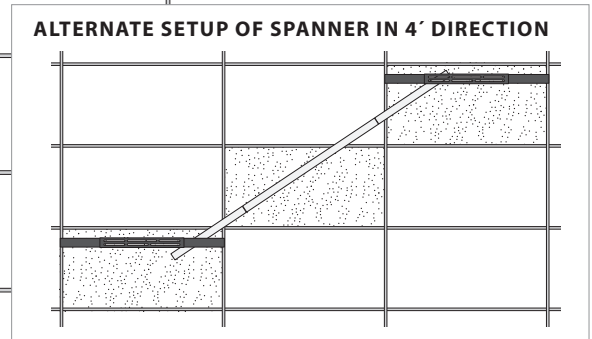
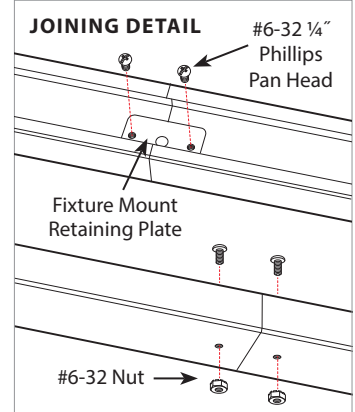
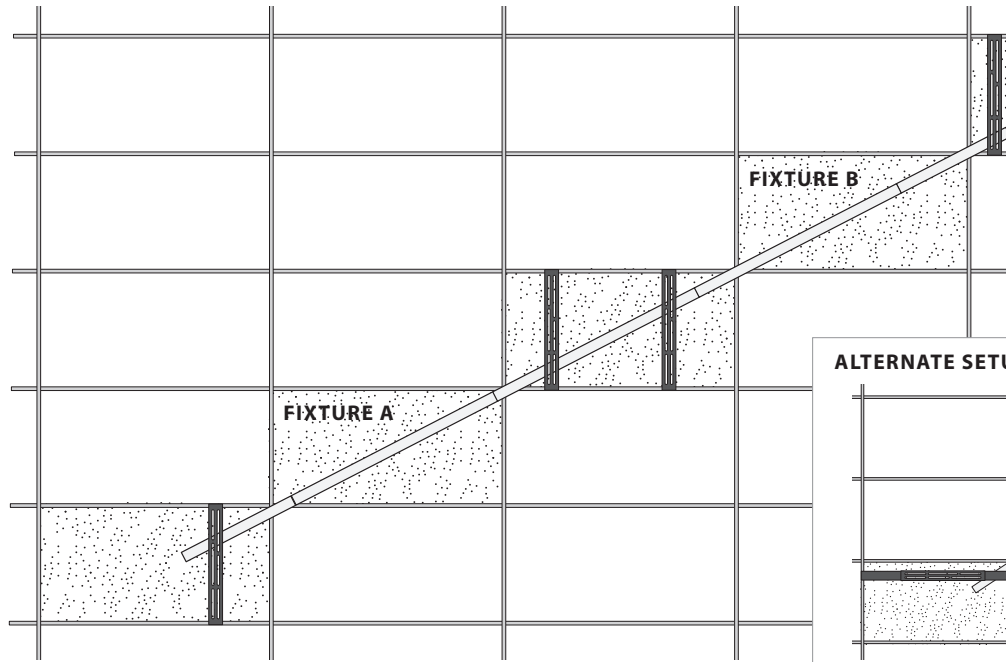


INSTALLATION INSTRUCTIONS

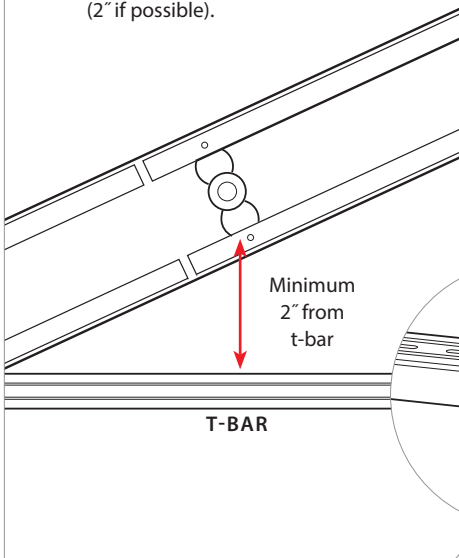
GPT — PIERCED TILE

INSTALLATION

- 1)** Place fixture mount bars in ceiling.
- Make sure tiles beneath fixture mount bar are in place.
 - Lay fixture mount bars on the ceiling grid series according to fixture row layout.

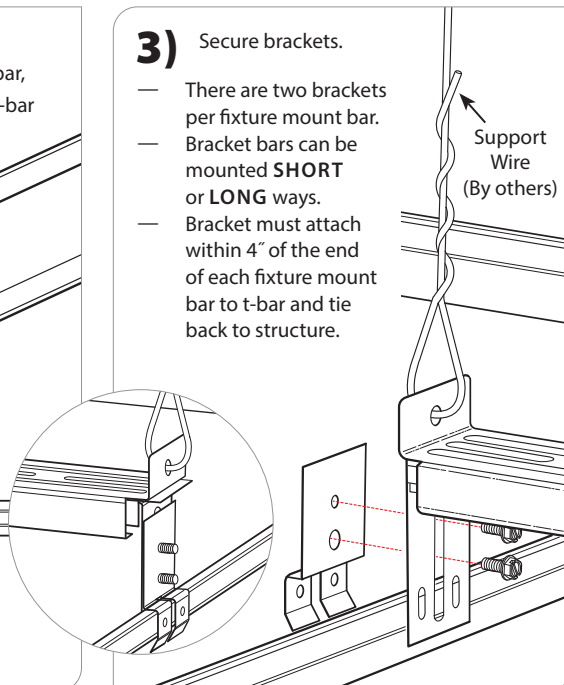


- 2) FOR ROWS:**
- When placing the fixture mount bar, make sure drops are clear of the t-bar (2" if possible).

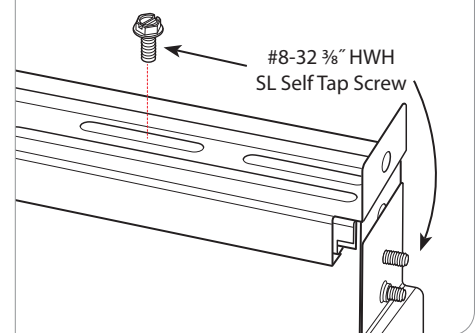


- 3)** Secure brackets.

- There are two brackets per fixture mount bar.
- Bracket bars can be mounted **SHORT** or **LONG** ways.
- Bracket must attach within 4" of the end of each fixture mount bar to t-bar and tie back to structure.



- 4)** Lock bracket bar length.



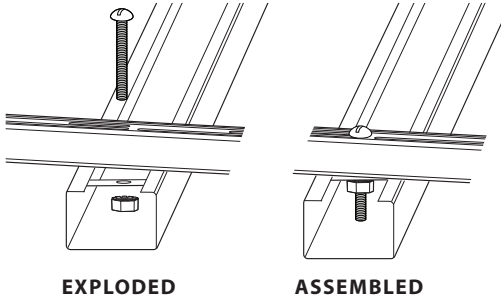
WARNING: Ground fixture in accordance with local and national electrical codes. Failure to do so may result in serious personal injury. Fixture Installations should ONLY be done by a qualified licensed electrical professional.



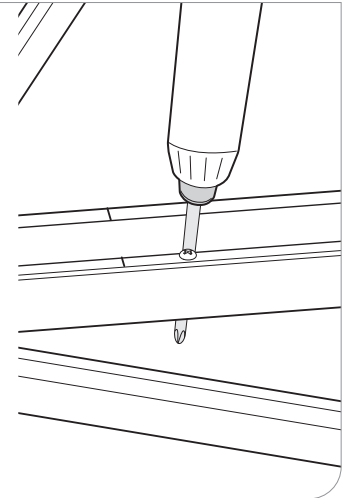
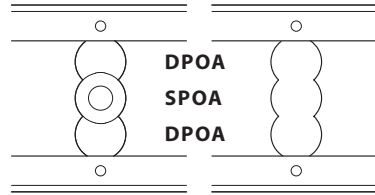
INSTALLATION INSTRUCTIONS

GPT — PIERCED TILE

- 5)** Secure the fixture mount bar to the brackets.
- Spanner must attach within 4" of the end of each fixture mount bar.
 - When placing the fixture mount bar, make sure drops are clear of the T-Bar (2" if possible).



- 6)** Using #2 phillips screwdriver to mark hole in acoustic tile make holes in tile using fixture mount bar as guide (SPOA, DPOA, SJT).



WARNING: Ground fixture in accordance with local and national electrical codes. Failure to do so may result in serious personal injury. Fixture Installations should ONLY be done by a qualified licensed electrical professional.



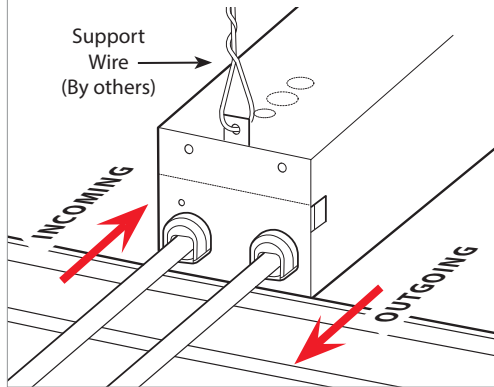
INSTALLATION INSTRUCTIONS

GPT — PIERCED TILE

REMOTE BOX INSTALLATION (RRB)

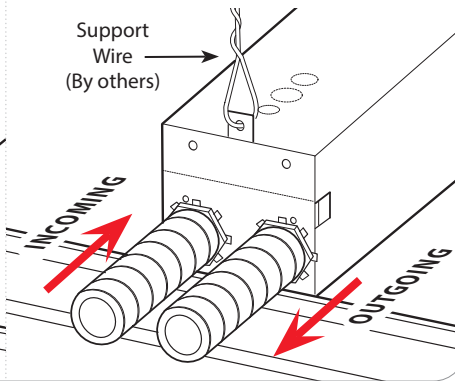
7) LINE VOLTAGE PLENUM

Connect incoming line voltage with plenum rated cord (by others) to box. — Not for use in HVAC areas
FOR MULTIPLE BOXES: Connect outgoing line voltage with plenum rated cord.



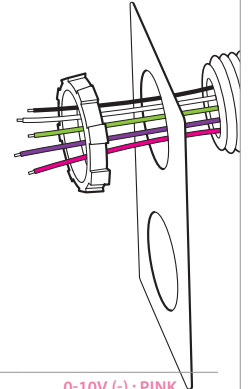
PLENUM

Connect incoming line voltage with flex (by others) to box.
FOR MULTIPLE BOXES: Connect outgoing line voltage with flex (by others).



8)

Bring flex into box via KO, and connect correct wires as directed below.

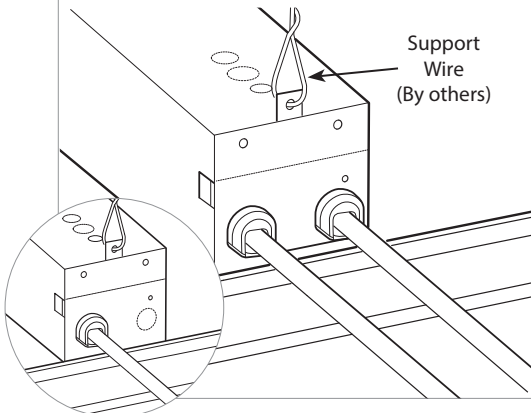


WIRING:

0-10V (+) : PURPLE	0-10V (-) : PINK
DALI (+) : PURPLE	DALI (-) : PINK
EcoSystem DALI (+) : PURPLE	EcoSystem DALI (-) : PINK
HOT : BLACK	
NEUTRAL : WHITE	
GROUND : GREEN	
CONSTANT HOT (EM) : RED	

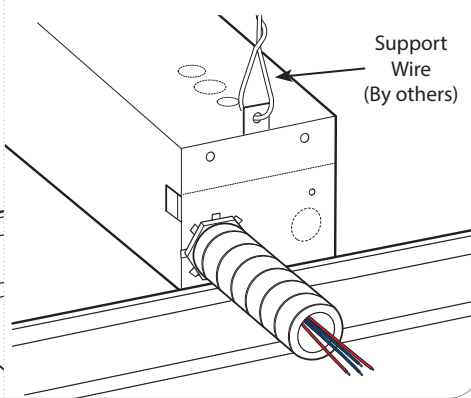
9) LOW VOLTAGE PLENUM

Use 8' cable provided to connect box to fixture mount bar.



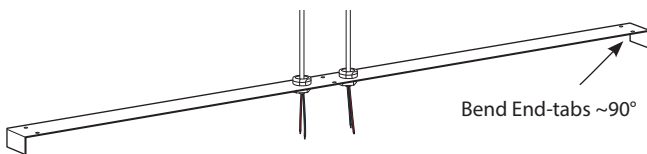
PLENUM

For plenum use flex or plenum rated cord to connect box to fixture mount bar.



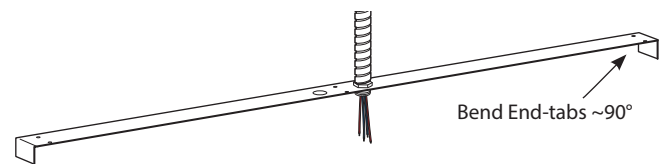
10) PLENUM

Connect low voltage cable provided to fixture mount cover using appropriate connectors.



PLENUM

Connect low voltage flex/plenum rated wire to fixture mount cover using appropriate connectors.



WARNING: Ground fixture in accordance with local and national electrical codes. Failure to do so may result in serious personal injury. Fixture Installations should ONLY be done by a qualified licensed electrical professional.



INSTALLATION INSTRUCTIONS

GPT — PIERCED TILE

CONTINUE TO THE FOLLOWING PAGES FOR...

PAGE 11. SPOA — SINGLE POWER OVER AIRCRAFT

PAGE 13. DPOA — DOUBLE POWER OVER AIRCRAFT

PAGE 15. CORD

PAGE 17. STEM

WARNING: Ground fixture in accordance with local and national electrical codes. Failure to do so may result in serious personal injury. Fixture Installations should ONLY be done by a qualified licensed electrical professional.

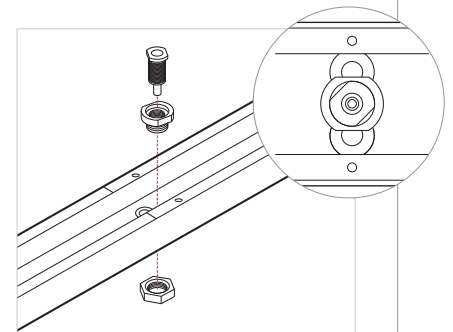
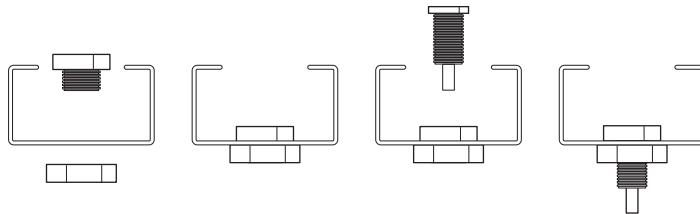


INSTALLATION INSTRUCTIONS

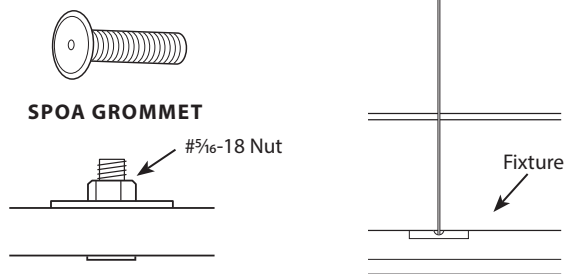
GPT — PIERCED TILE

SPOA — SINGLE POWER OVER AIRCRAFT

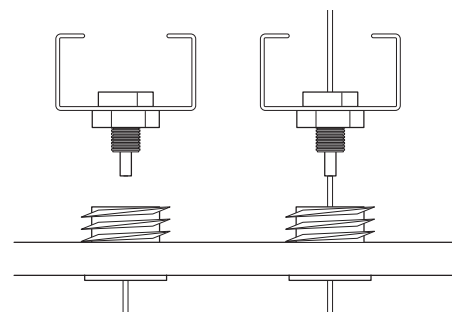
- 11)** Connect insulating grommet to fixture mount bar and secure using supplied nut to correct location.
Insert griplock connector into insulating grommet.



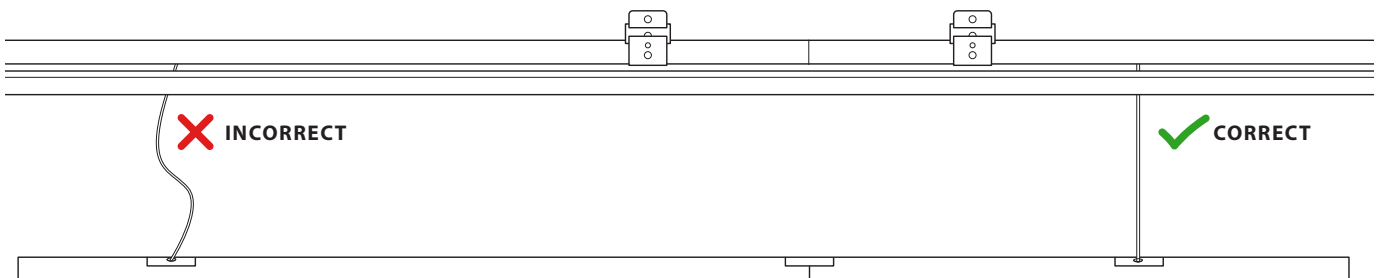
- 12) TILE FEED THROUGH GROMMETS**
Use a 1/4" drill bit to make hole in tile.



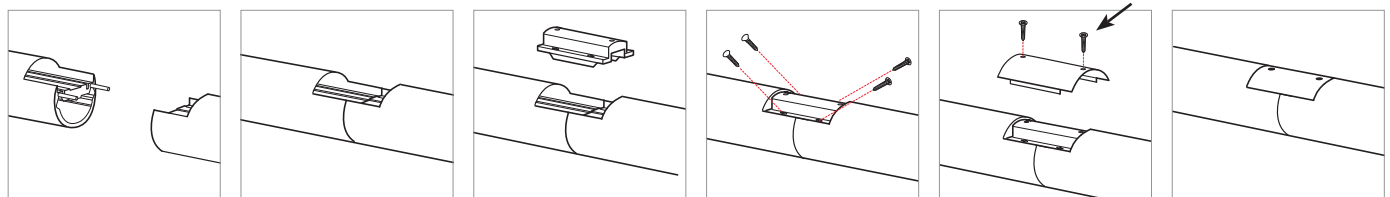
- 13)** Insert POA cables through tile and grommet and grip-lock.



- 14)** To level all fixtures in a row, make sure cables/SJT is approximately the same length and taut after joining fixtures, then fine adjustments of the cables/SJT can be made to make sure all fixtures are level.
- Show cross section of mounting setup for leveling purposes level fixtures adjusting aircraft cable length with grippers.
 - Join fixtures. — Make sure all cables are taut.



FIXTURE JOINING:



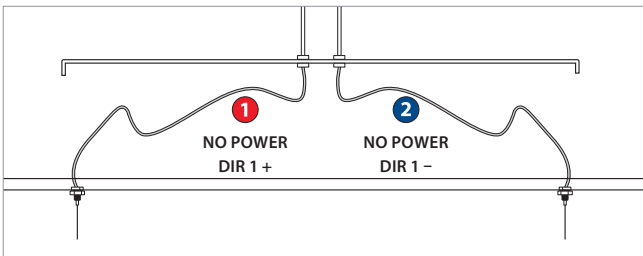
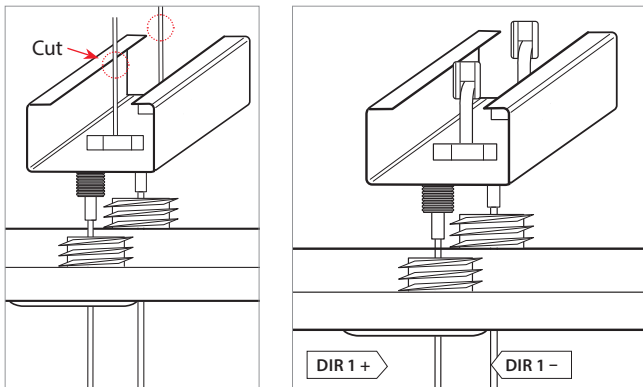
WARNING: Ground fixture in accordance with local and national electrical codes. Failure to do so may result in serious personal injury.
Fixture Installations should ONLY be done by a qualified licensed electrical professional.



INSTALLATION INSTRUCTIONS

GPT — PIERCED TILE

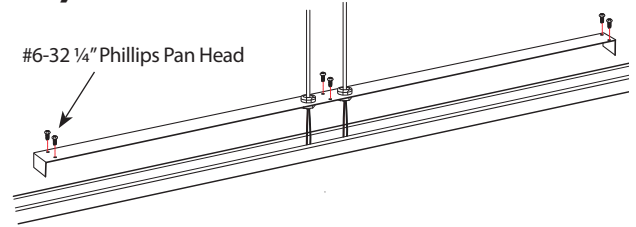
- 15)** Cut the cable leaving 2" of exposed cable cover using PVC sleeve (supplied).
- Attach wago.
 - Make sure no cable is exposed after griplock.
 - Run SJT to correct grip lock through cover and match labels and make connection to wago.
 - Test light.
 - Connect the SJT cord coming into cover to wagos (extend with correctly rated wire if needed).
 - Make sure to connect the corresponding labels to each other.



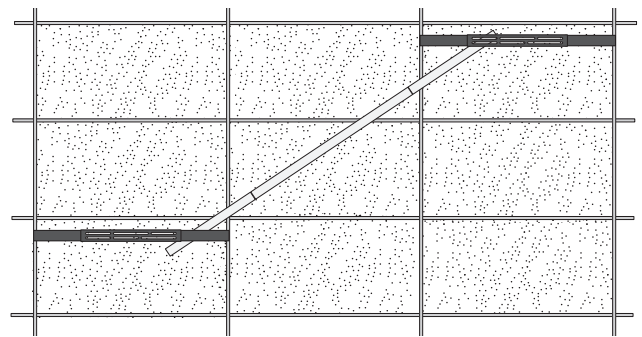
DC POWER WIRES (LOW VOLTAGE):

CABLE	LABEL	COLOR	DESCRIPTION
1	DIR 1 +	RED	DIRECT LIGHT DRIVER 1 POSITIVE +
2	DIR 1 -	BLUE	DIRECT LIGHT DRIVER 1 NEGATIVE -
—	—	BLUE/WHITE	DO NOT USE
—	—	RED/WHITE	DO NOT USE

- 16)** Attach fixture mount cover to fixture mount bar.



- 17)** Test power and install all tiles.



WARNING: Ground fixture in accordance with local and national electrical codes. Failure to do so may result in serious personal injury. Fixture Installations should ONLY be done by a qualified licensed electrical professional.

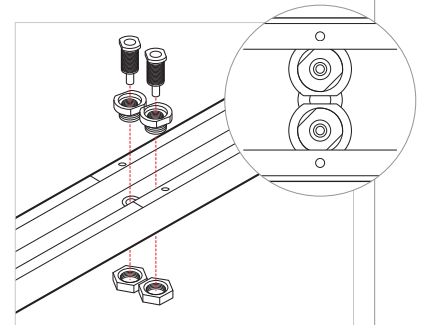
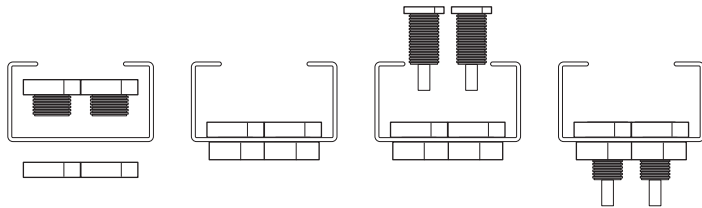


INSTALLATION INSTRUCTIONS

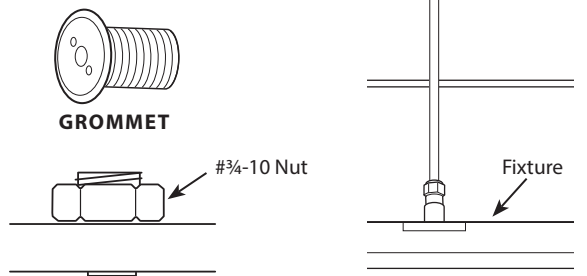
GPT — PIERCED TILE

DPOA — DOUBLE POWER OVER AIRCRAFT

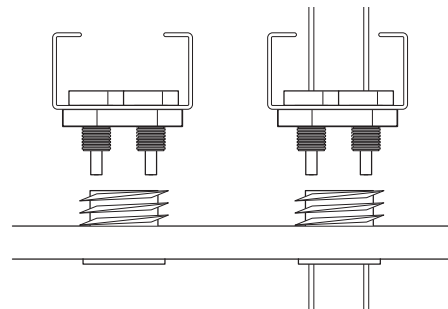
11) Connect insulating grommet to fixture mount bar and secure using supplied nut to correct location. Insert griplock connector into insulating grommet.



12) TILE FEED THROUGH GROMMETS
Use a 5/8" drill bit to make hole in tile.

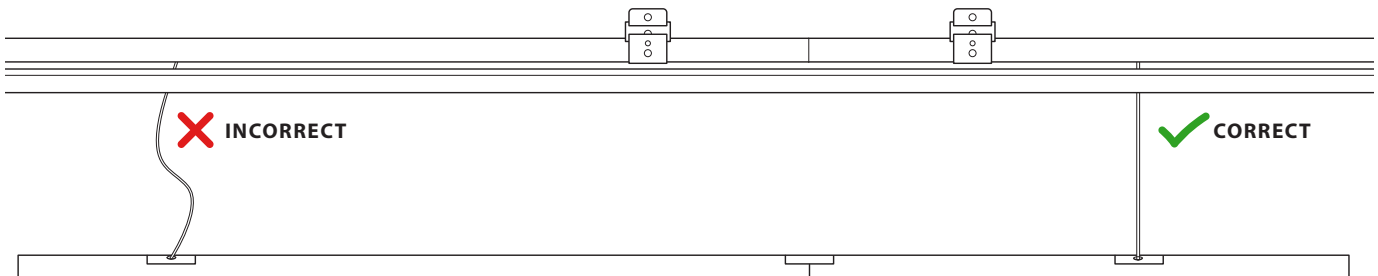


13) Insert POA cables through tile and grommet and grip-lock.



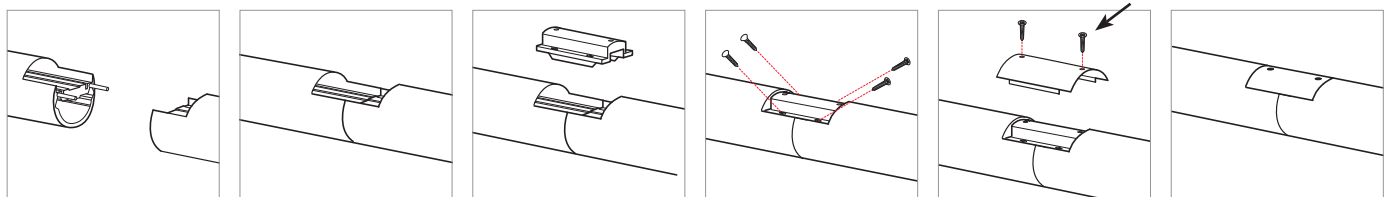
14) To level all fixtures in a row, make sure cables/SJT is approximately the same length and taut after joining fixtures, then fine adjustments of the cables/SJT can be made to make sure all fixtures are level.

- Show cross section of mounting setup for leveling purposes level fixtures adjusting aircraft cable length with grippers.
- Join fixtures. — Make sure all cables are taut.



FIXTURE JOINING:

18-8 SS #2 3/8" Flat Head Screw



WARNING: Ground fixture in accordance with local and national electrical codes. Failure to do so may result in serious personal injury. Fixture Installations should ONLY be done by a qualified licensed electrical professional.

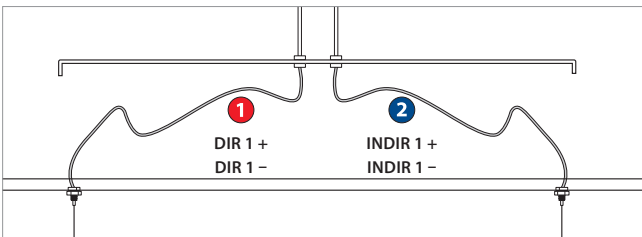
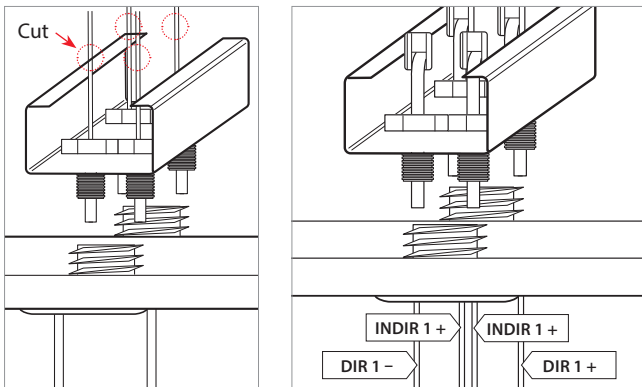


INSTALLATION INSTRUCTIONS

GPT — PIERCED TILE

15) Cut the cable leaving 2" of exposed cable cover using PVC sleeve (supplied).

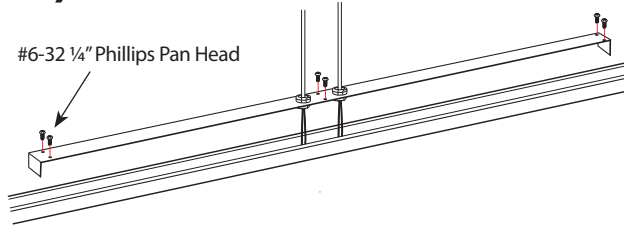
- Attach wago.
- Make sure no cable is exposed after griplock.
- Run SJT to correct grip lock through cover and match labels and make connection to wago.
- Test light.
- Connect the SJT cord coming into cover to wagos (extend with correctly rated wire if needed).
- Make sure to connect the corresponding labels to each other.



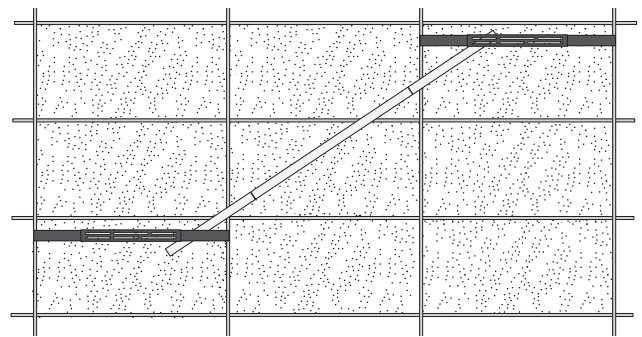
DC POWER WIRES (LOW VOLTAGE):

CABLE	LABEL	COLOR	DESCRIPTION
1	DIR 1 +	RED	DIRECT LIGHT DRIVER 1 POSITIVE +
	DIR 1 -	BLUE	DIRECT LIGHT DRIVER 1 NEGATIVE +
2	INDIR 1 +	RED/WHITE	INDIRECT LIGHT DRIVER 2 POSITIVE -
	INDIR 1 -	BLUE/WHITE	INDIRECT LIGHT DRIVER 2 NEGATIVE -

16) Attach fixture mount cover to fixture mount bar.



17) Test power and install all tiles.



WARNING: Ground fixture in accordance with local and national electrical codes. Failure to do so may result in serious personal injury. Fixture Installations should ONLY be done by a qualified licensed electrical professional.

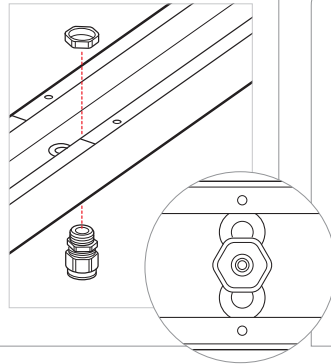
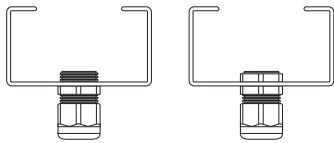


INSTALLATION INSTRUCTIONS

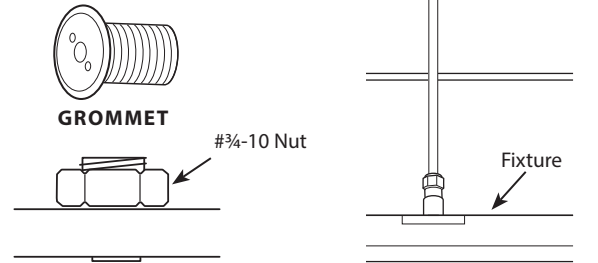
GPT — PIERCED TILE

SJT

- 11)** Insert strain relief in to center hole.
Secure to fixture mount using nut.



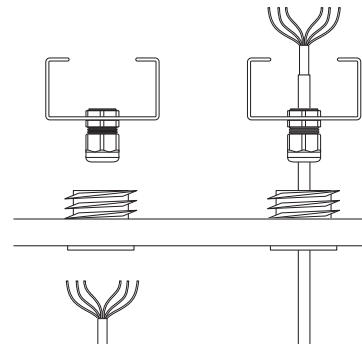
- 12)** **TILE FEED THROUGH GROMMETS**
Use a 5/8" drill bit to make hole in tile.



- 13)** Feed SJT cord from fixture through grommeted tile then through strain relief and hand tighten and make sure fixture is secured and cord does not slip.

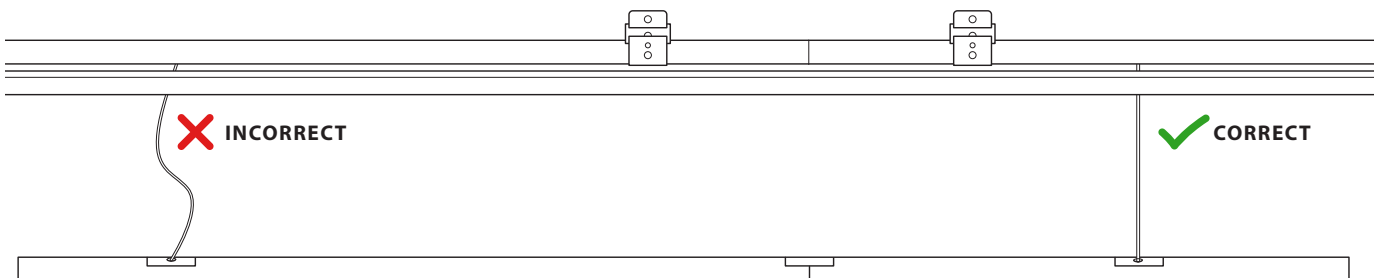
Extra SJT cord can be hidden in fixture mount bracket (does not need to be trimmed).

Show 6 wire SJT from fixture and wires with do not use strip SJT back 2" picture match SJT cord label with label on fixture mount.



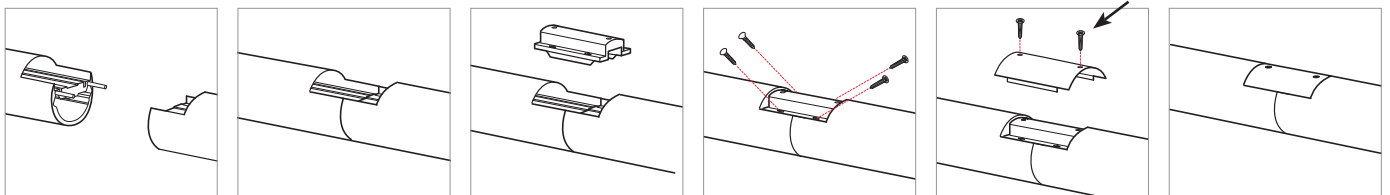
- 14)** To level all fixtures in a row, make sure cables/SJT is approximately the same length and taut after joining fixtures, then fine adjustments of the cables/SJT can be made to make sure all fixtures are level.

- Show cross section of mounting setup for leveling purposes level fixtures adjusting aircraft cable length with grippers.
- Join fixtures. — Make sure all cables are taut.



FIXTURE JOINING:

18-8 SS #2 3/8" Flat Head Screw



WARNING: Ground fixture in accordance with local and national electrical codes. Failure to do so may result in serious personal injury. Fixture Installations should ONLY be done by a qualified licensed electrical professional.

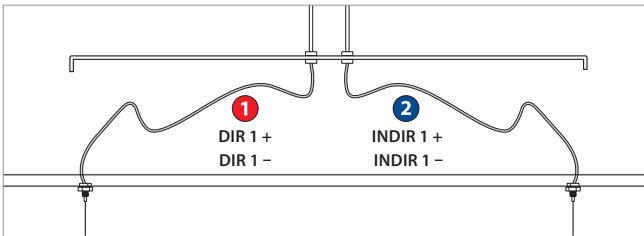
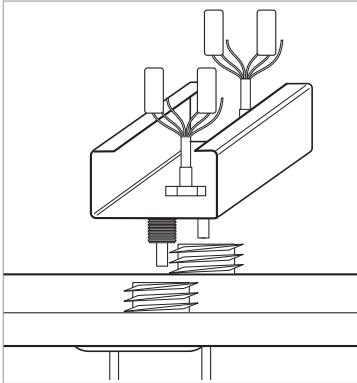


INSTALLATION INSTRUCTIONS

GPT — PIERCED TILE

15) Show 6 wire SJT from fixture and wires with do not use strip SJT back 2" picture.

Match SJT cord label with label on fixture mount.



DC POWER WIRES (LOW VOLTAGE):

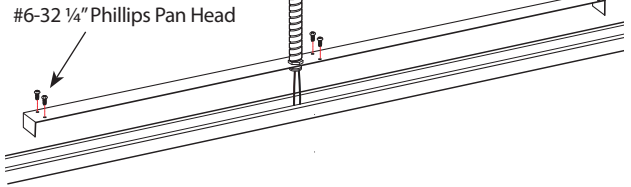
CABLE	LABEL	COLOR	DESCRIPTION
1	DIR 1 +	RED	DIRECT LIGHT DRIVER 1 POSITIVE +
	DIR 1 -	BLUE	DIRECT LIGHT DRIVER 1 NEGATIVE +
2	INDIR 1 +	RED/WHITE	INDIRECT LIGHT DRIVER 1 NEGATIVE -
	INDIR 1 -	BLUE/WHITE	INDIRECT LIGHT DRIVER 1 NEGATIVE -



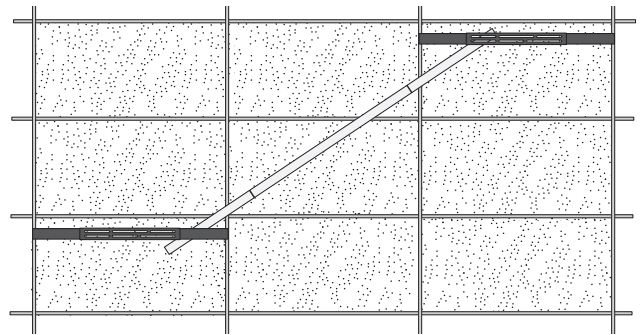
DC POWER WIRES (LOW VOLTAGE):

CABLE	LABEL	COLOR	DESCRIPTION
1	DIR 1 +	RED	DIRECT LIGHT DRIVER 1 POSITIVE +
2	DIR 1 -	BLUE	DIRECT LIGHT DRIVER 1 NEGATIVE -
—	—	BLUE/WHITE	DO NOT USE
—	—	RED/WHITE	DO NOT USE

16) Attach fixture mount cover to fixture mount bar.



17) Test power and install all tiles.



WARNING: Ground fixture in accordance with local and national electrical codes. Failure to do so may result in serious personal injury. Fixture Installations should ONLY be done by a qualified licensed electrical professional.