



INSTALLATION INSTRUCTIONS

HARD CEILING — X3 / X7

PART	PART NO.	DESCRIPTION
	165145	Overhead Mounting Bracket (OMB) (OPTIONAL)

BLANK COVER (ROWS ONLY):



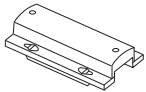
100-00128-03 Standard

FINISH COLOR MATCHES FIXTURE

100-00132-03 Louver



100-00375-14 18-8 SS #2 3/8" Flat Head Screw



100-00491-10 Pru1 Aligner

SPOA SHIP KIT: 166681

PVC SLEEVE 105C VW-1 STRIPED CUT 5.5":

DUAL CIRCUIT:



100-01120-09 Red Stripe

100-01121-09 Blue Stripe



100-00126-09 2 Conductor Wago Compact Connector (Qty 2)

DPOA SHIP KIT: 166682

PVC SLEEVE 105C VW-1 STRIPED CUT 5.5":

SINGLE CIRCUIT:



100-01122-09 Red

100-01123-09 Blue

DUAL CIRCUIT:

100-01120-09 White with Red Stripe

100-01121-09 White with Blue Stripe

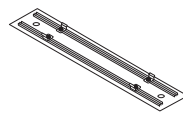


100-00126-09 2 Conductor Wago Compact Connector (Qty 4)



100-00158-08 106" x2 or x4

PART	SIZE	PART NO.	DESCRIPTION
(RRB) RECESSED REMOTE BOX COVER:			



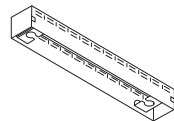
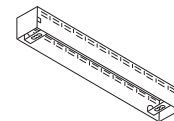
SIZE	SPOA	DPOA	SJT	STEM
— 2'	135568	135576	163505	147443
EMHE:	164703	164705	164707	164709
— 4'	135570	135578	163507	147445
EMHE:	164704	164706	164708	164710



100-00126-09 2 Conductor Wago Compact Connector

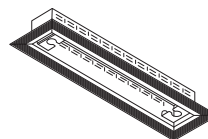
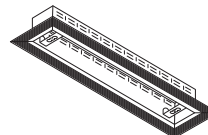
REMOTE BOX TOP KIT:

X3:	SIZE	PART NO.	DESCRIPTION
	— 2'	TOP-1293	POA/SJT
	— 4'	TOP-1488	



— 2' TOP-1293 STEM
— 4' TOP-1488

X7:	SIZE	PART NO.	DESCRIPTION
	— 2'	166208	POA/SJT
	— 4'	166209	



— 2' 166210 STEM
— 4' 166211

CORD SHIP KIT: 166683



100-00400-14 Black



100-00401-14 White



100-00103-08 1/4 Swivel Stem Ball & 1/4-20 x .250 Socket Hd. Set Screw



100-00101-08 1/4" IP X 1 1/2" Stem Coupler

NOTE: Stems ordered 98" – 144" are provided in 2 pieces attached by the coupler

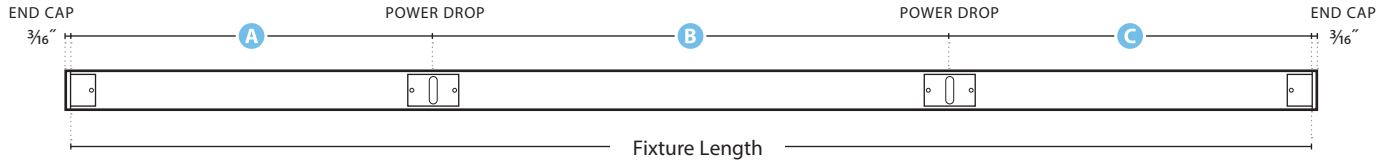
WARNING: Ground fixture in accordance with local and national electrical codes. Failure to do so may result in serious personal injury. Fixture Installations should ONLY be done by a qualified licensed electrical professional.



INSTALLATION INSTRUCTIONS

HARD CEILING — X3 / X7

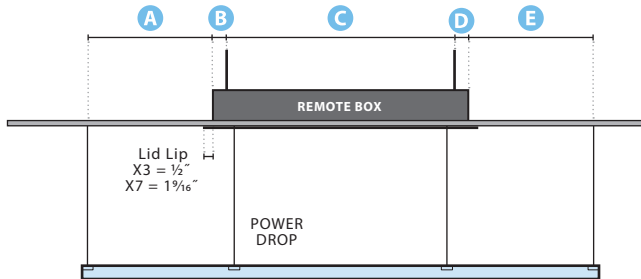
ROW LAYOUT



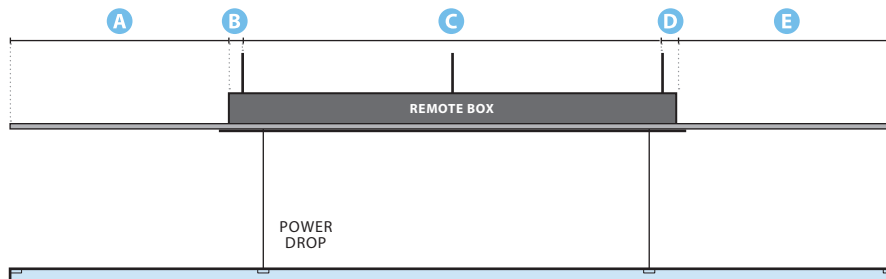
Fixture Length	A	B	C
2' (24")	2"	20"	2"
3' (36")	8"	20"	8"
4' (48")	14"	20"	14"
5' (60")	9"	42"	9"
6' (72")	15"	42"	15"
7' (84")	21"	42"	21"
8' (96")	27"	42"	27"

REMOTE BOX LAYOUT:

2' - 4' Fixtures



5' - 8' Fixtures



Fixture Length	Remote Box Length	Drop From Center	A	B	C	D	E
2' (24")	2' (23")	10"	0"	1½"	20"	1½"	0"
3' (36")	2' (23")	10"	6½"	1½"	20"	1½"	6½"
4' (48")	2' (23")	10"	12½"	1½"	20"	1½"	12½"
5' (60")	4' (47")	21"	6½"	1½"	44"	1½"	6½"
6' (72")	4' (47")	21"	12½"	1½"	44"	1½"	12½"
7' (84")	4' (47")	21"	18½"	1½"	44"	1½"	18½"
8' (96")	4' (47")	21"	24½"	1½"	44"	1½"	24½"

WARNING: Ground fixture in accordance with local and national electrical codes. Failure to do so may result in serious personal injury. Fixture Installations should ONLY be done by a qualified licensed electrical professional.



INSTALLATION INSTRUCTIONS

HARD CEILING — X3 / X7

RECESSED REMOTE BOX (FROM START OF FIXTURE TO START OF BOX THEN TO NEXT FIXTURE)

STANDARD ROW LAYOUT

ROW LENGTH	START	2ND	3RD	4TH	5TH	6TH	END
9'	6½"	42½"	78½"	—	—	—	—
10'	6½"	66½"	—	—	—	—	—
11'	12½"	54½"	96½"	—	—	—	—
12'	12½"	84½"	—	—	—	—	—
13'	12½"	54½"	54½"	—	—	—	—
14'	18½"	102½"	—	—	—	—	—
15'	6½"	66½"	126½"	—	—	—	—
16'	24½"	120½"	—	—	—	—	—
17'	12½"	78½"	144½"	—	—	—	—
18'	12½"	84½"	156½"	—	—	—	—
19'	12½"	90½"	168½"	—	—	—	—
20'	24½"	108½"	168½"	—	—	—	—
21'	24½"	102½"	180½"	—	—	—	—
22'	24½"	108½"	192½"	—	—	—	—
23'	24½"	114½"	204½"	—	—	—	—
24'	24½"	120½"	216½"	—	—	—	—
25'	12½"	84½"	126½"	192½"	240½"	—	—
26'	24½"	102½"	162½"	240½"	—	—	—
27'	12½"	78½"	138½"	198½"	264½"	—	—
28'	24½"	108½"	180½"	264½"	—	—	—
29'	24½"	102½"	162½"	198½"	276½"	—	—
30'	24½"	114½"	198½"	288½"	—	—	—
31'	24½"	102½"	162½"	222½"	300½"	—	—
32'	24½"	120½"	216½"	288½"	312½"	—	—
33'	24½"	108½"	174½"	240½"	324½"	—	—
34'	24½"	108½"	180½"	252½"	336½"	—	—
35'	24½"	114½"	186½"	258½"	348½"	—	—
36'	24½"	120½"	204½"	264½"	360½"	—	—
37'	24½"	120½"	198½"	276½"	372½"	—	—
38'	24½"	120½"	204½"	288½"	384½"	—	—
39'	24½"	120½"	210½"	300½"	396½"	—	—
40'	24½"	120½"	216½"	312½"	408½"	—	—
41'	24½"	108½"	180½"	222½"	288½"	336½"	420½"
42'	24½"	120½"	198½"	258½"	336½"	432½"	—
43'	24½"	108½"	174½"	234½"	294½"	360½"	444½"
44'	24½"	120½"	204½"	276½"	360½"	456½"	—
45'	24½"	120½"	198½"	258½"	294½"	372½"	390½"
46'	24½"	120½"	210½"	294½"	384½"	480½"	—
47'	24½"	120½"	198½"	258½"	318½"	396½"	492½"
48'	24½"	120½"	216½"	312½"	408½"	504½"	—
49'	24½"	120½"	204½"	270½"	336½"	420½"	516½"
50'	24½"	120½"	204½"	276½"	348½"	432½"	528½"

SYMMETRIC ROW LAYOUT

ROW LENGTH	START	2ND	3RD	4TH	5TH	6TH	END
9'	6½"	72½"	—	—	—	—	—
10'	6½"	84½"	—	—	—	—	—
11'	12½"	96½"	—	—	—	—	—
12'	12½"	108½"	—	—	—	—	—
13'	12½"	102½"	—	—	—	—	—
14'	18½"	108½"	—	—	—	—	—
15'	6½"	114½"	—	—	—	—	—
16'	24½"	120½"	—	—	—	—	—
17'	12½"	102½"	168½"	—	—	—	—
18'	12½"	108½"	180½"	—	—	—	—
19'	12½"	114½"	192½"	—	—	—	—
20'	12½"	120½"	204½"	—	—	—	—
21'	24½"	120½"	198½"	—	—	—	—
22'	24½"	120½"	204½"	—	—	—	—
23'	24½"	120½"	210½"	—	—	—	—
24'	24½"	120½"	216½"	—	—	—	—
25'	12½"	120½"	198½"	264½"	—	—	—
26'	24½"	120½"	204½"	276½"	—	—	—
27'	12½"	120½"	210½"	288½"	—	—	—
28'	24½"	120½"	216½"	300½"	—	—	—
29'	24½"	120½"	216½"	294½"	—	—	—
30'	24½"	120½"	216½"	300½"	—	—	—
31'	24½"	120½"	216½"	306½"	—	—	—
32'	24½"	120½"	216½"	312½"	—	—	—
33'	24½"	120½"	216½"	294½"	360½"	—	—
34'	24½"	120½"	216½"	300½"	372½"	—	—
35'	24½"	120½"	216½"	306½"	384½"	—	—
36'	24½"	120½"	216½"	312½"	396½"	—	—
37'	24½"	120½"	216½"	312½"	390½"	—	—
38'	24½"	120½"	216½"	312½"	396½"	—	—
39'	24½"	120½"	216½"	312½"	402½"	—	—
40'	24½"	120½"	216½"	312½"	408½"	—	—
41'	24½"	120½"	216½"	312½"	390½"	456½"	—
42'	24½"	120½"	216½"	312½"	396½"	468½"	—
43'	24½"	120½"	216½"	312½"	402½"	480½"	—
44'	24½"	120½"	216½"	312½"	408½"	492½"	—
45'	24½"	120½"	216½"	312½"	408½"	486½"	—
46'	24½"	120½"	216½"	312½"	408½"	492½"	—
47'	24½"	120½"	216½"	312½"	408½"	498½"	—
48'	24½"	120½"	216½"	312½"	408½"	504½"	—
49'	24½"	120½"	216½"	312½"	408½"	486½"	552½"
50'	24½"	120½"	216½"	312½"	408½"	492½"	564½"

WARNING: Ground fixture in accordance with local and national electrical codes. Failure to do so may result in serious personal injury. Fixture installations should ONLY be done by a qualified licensed electrical professional.



INSTALLATION INSTRUCTIONS

HARD CEILING — X3 / X7

FIXTURE & END CAP MOUNT LOCATIONS

STANDARD FIXTURE ROW LAYOUT DIMENSIONS

ROW LENGTH	DROP													
	1	2	3	4	5	6	7	8	9	10	11	12	13	14
9'	8"	52"	74"	94"	—	—	—	—	—	—	—	—	—	—
10'	14"	58"	86"	106"	—	—	—	—	—	—	—	—	—	—
11'	20"	64"	98"	118"	—	—	—	—	—	—	—	—	—	—
12'	26"	70"	110"	130"	—	—	—	—	—	—	—	—	—	—
13'	26"	70"	104"	148"	—	—	—	—	—	—	—	—	—	—
14'	26"	70"	110"	154"	—	—	—	—	—	—	—	—	—	—
15'	26"	70"	116"	160"	—	—	—	—	—	—	—	—	—	—
16'	26"	70"	122"	166"	—	—	—	—	—	—	—	—	—	—
17'	26"	70"	104"	148"	170"	190"	—	—	—	—	—	—	—	—
18'	26"	70"	110"	154"	182"	202"	—	—	—	—	—	—	—	—
19'	26"	70"	116"	160"	194"	214"	—	—	—	—	—	—	—	—
20'	26"	70"	122"	166"	206"	226"	—	—	—	—	—	—	—	—
21'	26"	70"	122"	166"	200"	244"	—	—	—	—	—	—	—	—
22'	26"	70"	122"	166"	206"	250"	—	—	—	—	—	—	—	—
23'	26"	70"	122"	166"	212"	256"	—	—	—	—	—	—	—	—
24'	26"	70"	122"	166"	218"	262"	—	—	—	—	—	—	—	—
25'	26"	70"	122"	166"	200"	244"	266"	286"	—	—	—	—	—	—
26'	26"	70"	122"	166"	206"	250"	278"	298"	—	—	—	—	—	—
27'	26"	70"	122"	166"	212"	256"	290"	310"	—	—	—	—	—	—
28'	26"	70"	122"	166"	218"	262"	302"	322"	—	—	—	—	—	—
29'	26"	70"	122"	166"	218"	262"	296"	340"	—	—	—	—	—	—
30'	26"	70"	122"	166"	218"	262"	302"	346"	—	—	—	—	—	—
31'	26"	70"	122"	166"	218"	262"	308"	352"	—	—	—	—	—	—
32'	26"	70"	122"	166"	218"	262"	314"	358"	—	—	—	—	—	—
33'	26"	70"	122"	166"	218"	262"	296"	340"	362"	382"	—	—	—	—
34'	26"	70"	122"	166"	218"	262"	302"	346"	374"	394"	—	—	—	—
35'	26"	70"	122"	166"	218"	262"	308"	352"	386"	406"	—	—	—	—
36'	26"	70"	122"	166"	218"	262"	314"	358"	398"	418"	—	—	—	—
37'	26"	70"	122"	166"	218"	262"	314"	358"	392"	436"	—	—	—	—
38'	26"	70"	122"	166"	218"	262"	314"	358"	398"	442"	—	—	—	—
39'	26"	70"	122"	166"	218"	262"	314"	358"	404"	448"	—	—	—	—
40'	26"	70"	122"	166"	218"	262"	314"	358"	410"	454"	—	—	—	—
41'	26"	70"	122"	166"	218"	262"	314"	358"	392"	436"	458"	478"	—	—
42'	26"	70"	122"	166"	218"	262"	314"	358"	398"	442"	470"	490"	—	—
43'	26"	70"	122"	166"	218"	262"	314"	358"	404"	448"	482"	502"	—	—
44'	26"	70"	122"	166"	218"	262"	314"	358"	410"	454"	494"	514"	—	—
45'	26"	70"	122"	166"	218"	262"	314"	358"	410"	454"	488"	532"	—	—
46'	26"	70"	122"	166"	218"	262"	314"	358"	410"	454"	494"	538"	—	—
47'	26"	70"	122"	166"	218"	262"	314"	358"	410"	454"	500"	544"	—	—
48'	26"	70"	122"	166"	218"	262"	314"	358"	410"	454"	506"	550"	—	—
49'	26"	70"	122"	166"	218"	262"	314"	358"	410"	454"	488"	532"	554"	574"
50'	26"	70"	122"	166"	218"	262"	314"	358"	410"	454"	494"	538"	566"	586"

WARNING: Ground fixture in accordance with local and national electrical codes. Failure to do so may result in serious personal injury. Fixture Installations should ONLY be done by a qualified licensed electrical professional.



INSTALLATION INSTRUCTIONS

HARD CEILING — X3 / X7

FIXTURE & END CAP MOUNT LOCATIONS

SYMMETRIC FIXTURE ROW LAYOUT DIMENSIONS

ROW LENGTH	DROP													
	1	2	3	4	5	6	7	8	9	10	11	12	13	14
9'	8"	28"	44"	64"	80"	100"	—	—	—	—	—	—	—	—
10'	8"	52"	68"	112"	—	—	—	—	—	—	—	—	—	—
11'	14"	34"	56"	76"	98"	118"	—	—	—	—	—	—	—	—
12'	14"	58"	72"	116"	—	—	—	—	—	—	—	—	—	—
13'	14"	34"	56"	100"	122"	142"	—	—	—	—	—	—	—	—
14'	20"	64"	104"	148"	—	—	—	—	—	—	—	—	—	—
15'	8"	52"	68"	112"	128"	172"	—	—	—	—	—	—	—	—
16'	26"	70"	96"	140"	—	—	—	—	—	—	—	—	—	—
17'	14"	58"	80"	124"	146"	190"	—	—	—	—	—	—	—	—
18'	14"	58"	86"	130"	158"	202"	—	—	—	—	—	—	—	—
19'	14"	58"	92"	136"	150"	194"	—	—	—	—	—	—	—	—
20'	26"	70"	110"	130"	170"	214"	—	—	—	—	—	—	—	—
21'	26"	70"	104"	148"	182"	226"	—	—	—	—	—	—	—	—
22'	26"	70"	110"	154"	194"	238"	—	—	—	—	—	—	—	—
23'	26"	70"	116"	160"	186"	230"	—	—	—	—	—	—	—	—
24'	26"	70"	122"	166"	218"	262"	—	—	—	—	—	—	—	—
25'	14"	58"	86"	106"	128"	172"	194"	214"	242"	286"	—	—	—	—
26'	26"	70"	104"	148"	164"	208"	242"	286"	—	—	—	—	—	—
27'	14"	58"	80"	124"	140"	184"	200"	244"	266"	310"	—	—	—	—
28'	26"	70"	110"	154"	182"	226"	266"	310"	—	—	—	—	—	—
29'	26"	70"	104"	148"	164"	184"	200"	244"	278"	322"	—	—	—	—
30'	26"	70"	116"	160"	200"	244"	290"	334"	—	—	—	—	—	—
31'	26"	70"	104"	148"	164"	208"	224"	268"	302"	346"	—	—	—	—
32'	26"	70"	122"	166"	218"	262"	314"	358"	—	—	—	—	—	—
33'	26"	70"	110"	154"	176"	220"	242"	286"	326"	370"	—	—	—	—
34'	26"	70"	110"	154"	182"	226"	254"	298"	338"	382"	—	—	—	—
35'	26"	70"	116"	160"	188"	232"	260"	304"	350"	394"	—	—	—	—
36'	26"	70"	122"	166"	206"	226"	266"	310"	362"	406"	—	—	—	—
37'	26"	70"	122"	166"	200"	244"	278"	322"	374"	418"	—	—	—	—
38'	26"	70"	122"	166"	206"	250"	290"	334"	386"	430"	—	—	—	—
39'	26"	70"	122"	166"	212"	256"	302"	346"	398"	442"	—	—	—	—
40'	26"	70"	122"	166"	218"	262"	314"	358"	410"	454"	—	—	—	—
41'	26"	70"	110"	154"	182"	202"	224"	268"	290"	310"	338"	382"	422"	466"
42'	26"	70"	122"	166"	200"	244"	260"	304"	338"	382"	434"	478"	—	—
43'	26"	70"	110"	154"	176"	220"	236"	280"	296"	340"	362"	406"	446"	490"
44'	26"	70"	122"	166"	206"	250"	278"	322"	362"	406"	458"	502"	—	—
45'	26"	70"	122"	166"	200"	244"	260"	280"	296"	340"	374"	418"	470"	514"
46'	26"	70"	122"	166"	212"	256"	296"	340"	386"	430"	482"	526"	—	—
47'	26"	70"	122"	166"	200"	244"	260"	304"	320"	364"	398"	442"	494"	538"
48'	26"	70"	122"	166"	218"	262"	314"	358"	410"	454"	506"	550"	—	—
49'	26"	70"	122"	166"	206"	250"	272"	316"	338"	382"	422"	466"	518"	562"
50'	26"	70"	122"	166"	206"	250"	278"	322"	350"	394"	434"	478"	530"	574"

* See page 4 for row layout example

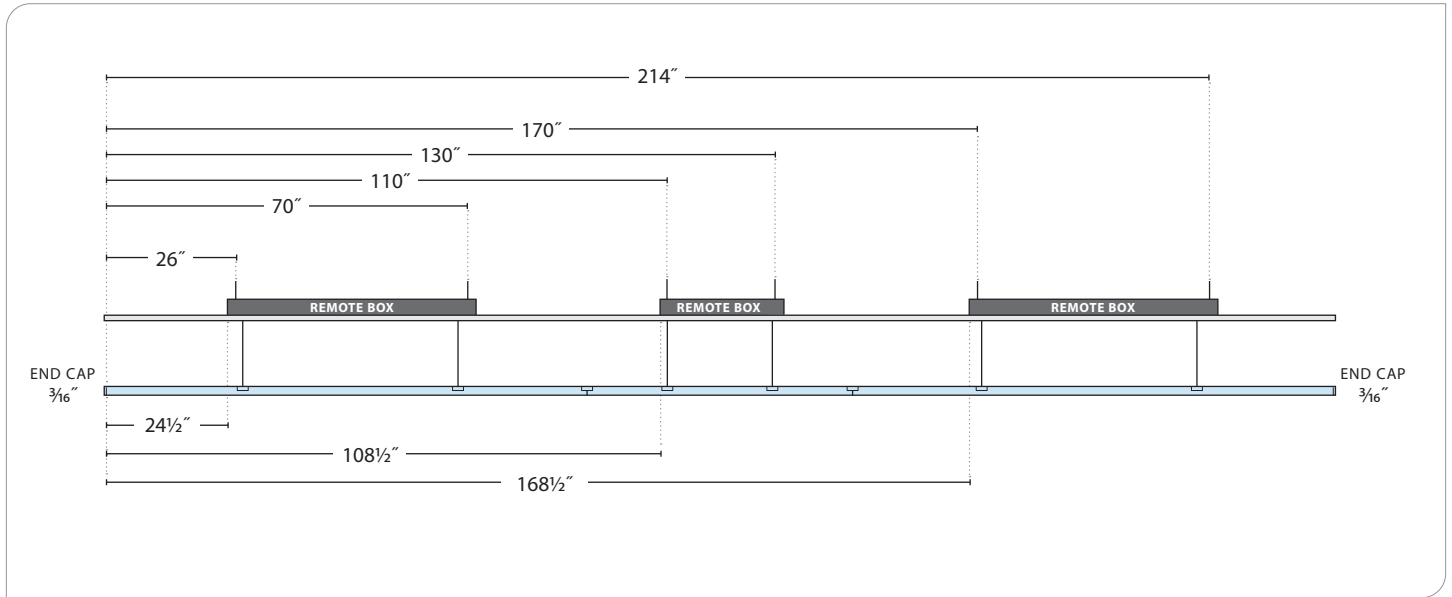
WARNING: Ground fixture in accordance with local and national electrical codes. Failure to do so may result in serious personal injury. Fixture Installations should ONLY be done by a qualified licensed electrical professional.



INSTALLATION INSTRUCTIONS

HARD CEILING — X3 / X7

ROW LAYOUT



WARNING: Ground fixture in accordance with local and national electrical codes. Failure to do so may result in serious personal injury. Fixture Installations should ONLY be done by a qualified licensed electrical professional.

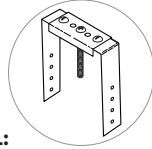
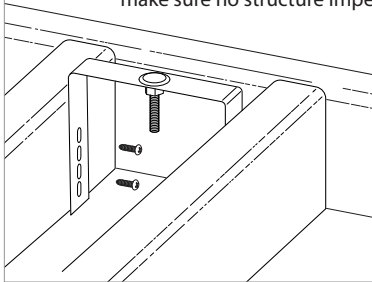


INSTALLATION INSTRUCTIONS

HARD CEILING — X3 / X7

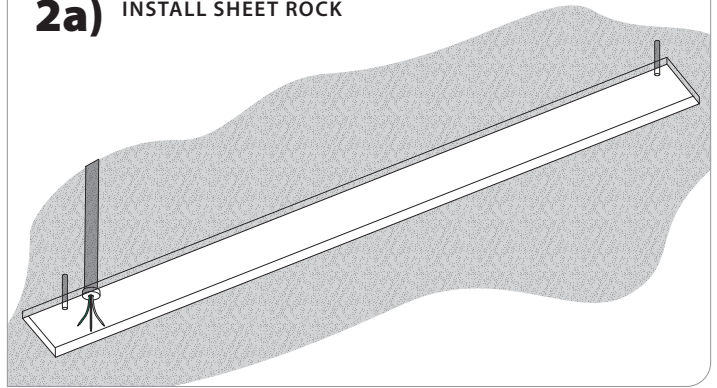
1) ROUGH ELECTRICAL

- Run/position flex close to each box potential location.
- If fixtures are in a row, you can jump from box to box, make sure no structure impedes wire routing.

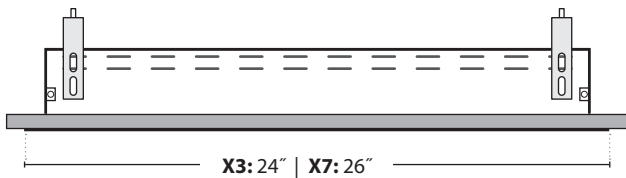
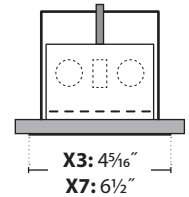
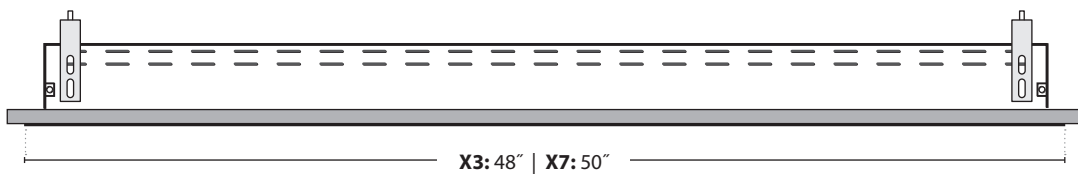


OPTIONAL:
Screw Overhead Mounting bracket to joist (screws by others). Install rough-electrical.

2a) INSTALL SHEET ROCK



2b) Make sure cut dimensions according to chart.

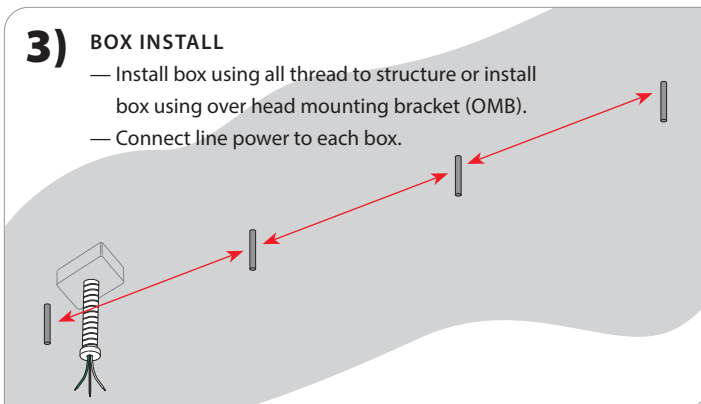


DRYWALL CUT:

	WIDTH	LENGTH
X3+X7 2'	4"	23 ³ / ₄ "
	4"	47 ³ / ₄ "

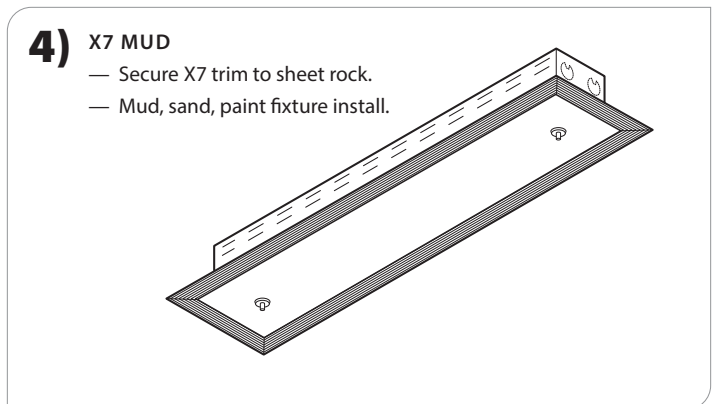
3) BOX INSTALL

- Install box using all thread to structure or install box using over head mounting bracket (OMB).
- Connect line power to each box.



4) X7 MUD

- Secure X7 trim to sheet rock.
- Mud, sand, paint fixture install.



WARNING: Ground fixture in accordance with local and national electrical codes. Failure to do so may result in serious personal injury. Fixture Installations should ONLY be done by a qualified licensed electrical professional.



INSTALLATION INSTRUCTIONS

HARD CEILING — X3 / X7

CONTINUE TO THE FOLLOWING PAGES FOR...

PAGE 09. SPOA — SINGLE POWER OVER AIRCRAFT

PAGE 11. DPOA — DOUBLE POWER OVER AIRCRAFT

PAGE 13. CORD

PAGE 15. STEM

WARNING: Ground fixture in accordance with local and national electrical codes. Failure to do so may result in serious personal injury. Fixture Installations should ONLY be done by a qualified licensed electrical professional.

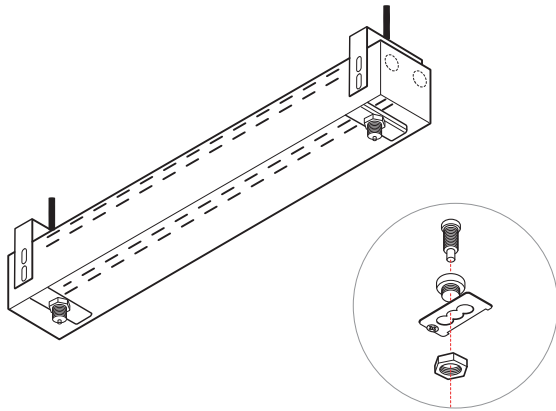


INSTALLATION INSTRUCTIONS

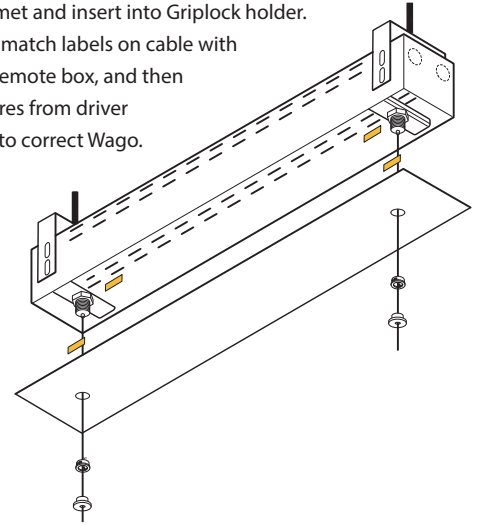
HARD CEILING — X3 / X7

SPOA — SINGLE POWER OVER AIRCRAFT

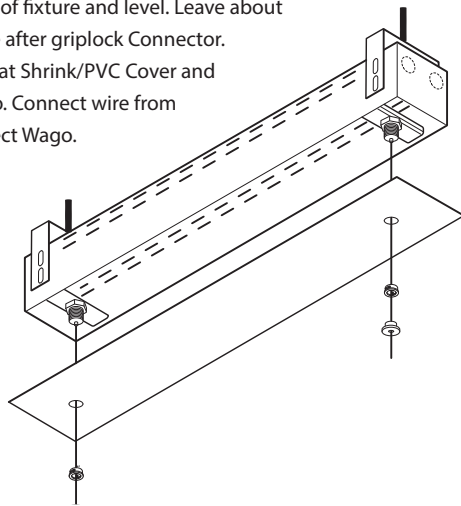
5) Install plastic insulation grommet and secure using nut, and insert griplock (adjust height of griplock holder if needed).



6) Insert POA cable through griplock face plate and plastic grommet and insert into Griplock holder. Make sure to match labels on cable with ones on the remote box, and then make sure wires from driver are attached to correct Wago.

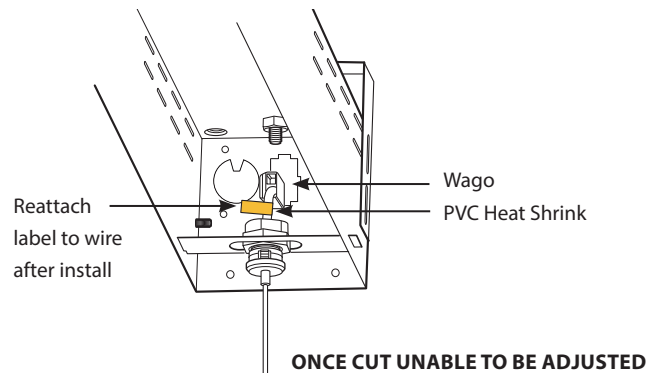


7) Adjust height of fixture and level. Leave about 1" - 2" of cable after griplock Connector. Cover with heat Shrink/PVC Cover and connect Wago. Connect wire from driver to correct Wago.



COLOR	
	RED
	BLUE
	WHITE/RED
	WHITE/BLUE

8) After correct height is set and leveled cut excess cable and leave 2" of cable after griplock. Cover with PVC (heat shrink) tubing and connect Wago. Make sure PVC tubing is covering any exposed cable (cut to fit). Connect correct power wires to correct Wago.



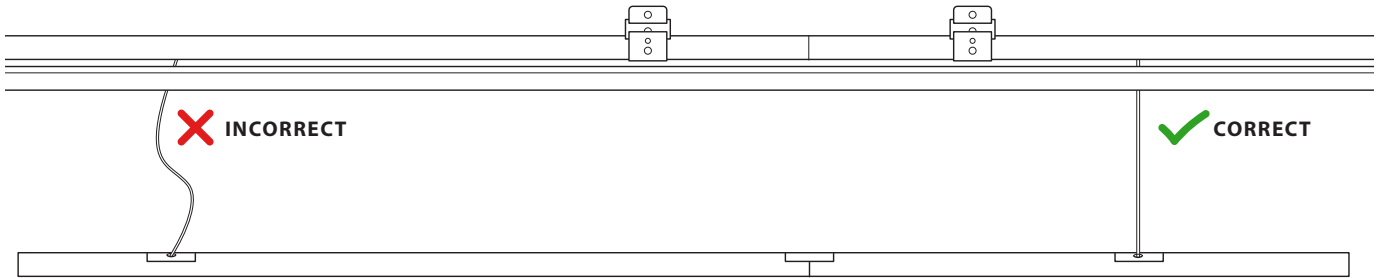
WARNING: Ground fixture in accordance with local and national electrical codes. Failure to do so may result in serious personal injury. Fixture Installations should ONLY be done by a qualified licensed electrical professional.



INSTALLATION INSTRUCTIONS

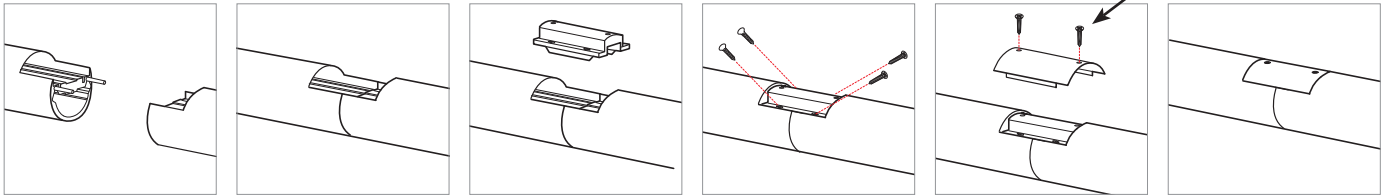
HARD CEILING — X3 / X7

- 9) To level all fixtures in a row, make sure cables/SJT is approximately the same length and taut after joining fixtures, then fine adjustments of the cables/SJT can be made to make sure all fixtures are level.
- Show cross section of mounting setup for leveling purposes level fixtures adjusting aircraft cable length with grippers.
 - Join fixtures. — Make sure all cables are taut.

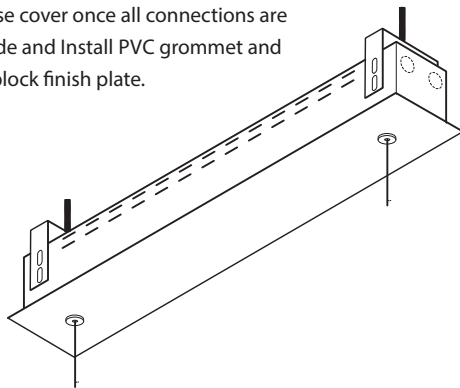


FIXTURE JOINING:

18-8 SS #2 3/8" Flat Head Screw



- 10) Close cover once all connections are made and Install PVC grommet and griplock finish plate.



WARNING: Ground fixture in accordance with local and national electrical codes. Failure to do so may result in serious personal injury. Fixture Installations should ONLY be done by a qualified licensed electrical professional.

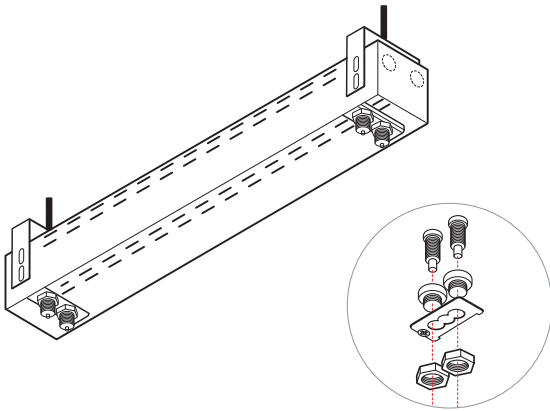


INSTALLATION INSTRUCTIONS

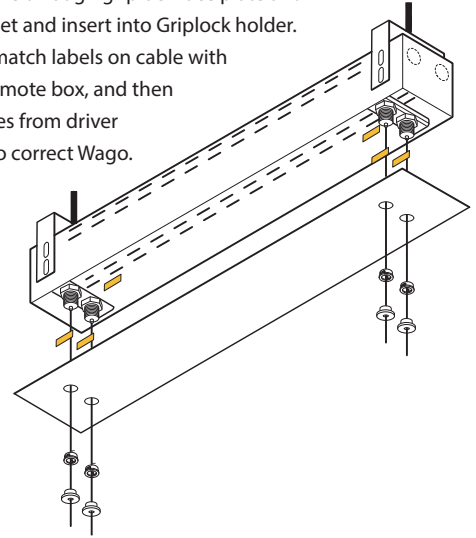
HARD CEILING — X3 / X7

DPOA — DOUBLE POWER OVER AIRCRAFT

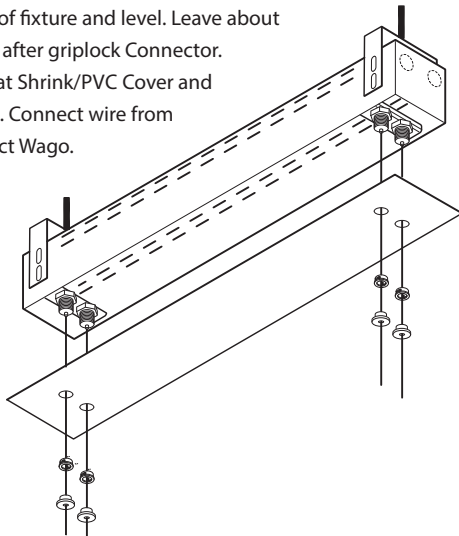
5) Install plastic insulation grommet and secure using nut, and insert griplock (adjust height of griplock holder if needed).



6) Insert POA cable through griplock face plate and plastic grommet and insert into Griplock holder. Make sure to match labels on cable with ones on the remote box, and then make sure wires from driver are attached to correct Wago.

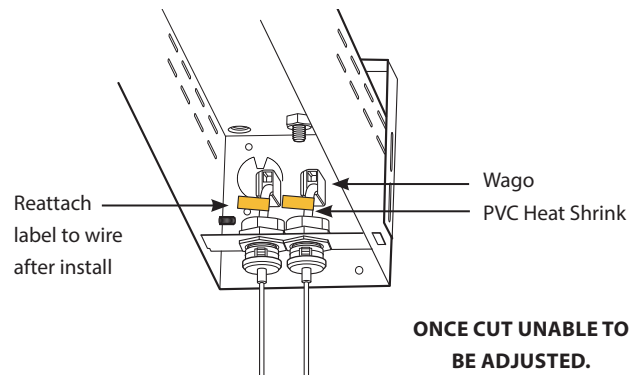


7) Adjust height of fixture and level. Leave about 1" - 2" of cable after griplock Connector. Cover with heat Shrink/PVC Cover and connect Wago. Connect wire from driver to correct Wago.



COLOR	
	RED
	BLUE
	WHITE/RED
	WHITE/BLUE

8) After correct height is set and leveled cut excess cable and leave 2" of cable after griplock. Cover with PVC (heat shrink) tubing and connect Wago. Make sure PVC tubing is covering any exposed cable (cut to fit). Connect correct power wires to correct Wago.



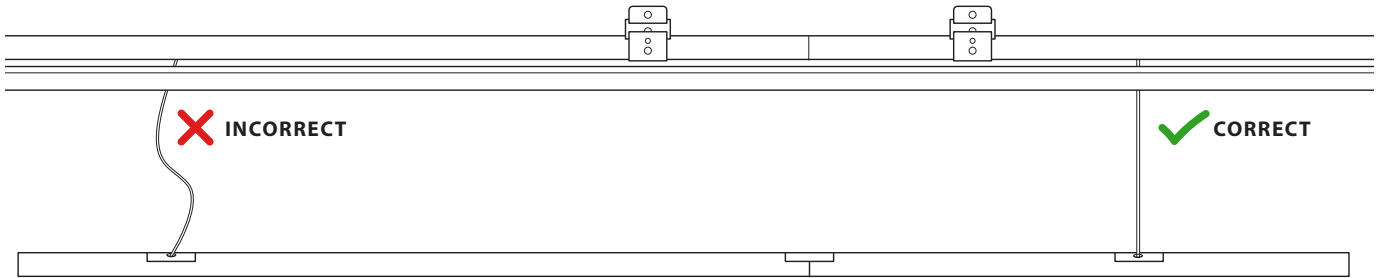
WARNING: Ground fixture in accordance with local and national electrical codes. Failure to do so may result in serious personal injury. Fixture Installations should ONLY be done by a qualified licensed electrical professional.



INSTALLATION INSTRUCTIONS

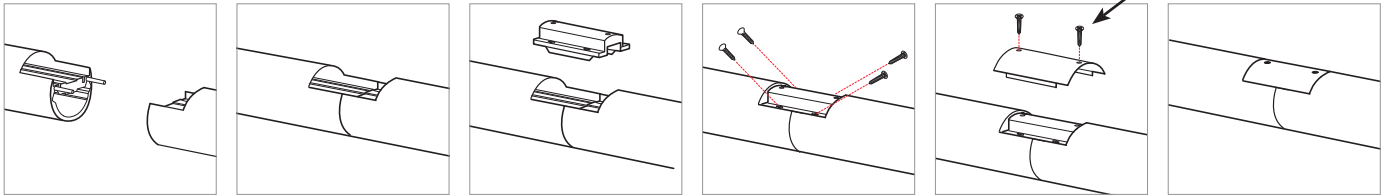
HARD CEILING — X3 / X7

- 9) To level all fixtures in a row, make sure cables/SJT is approximately the same length and taut after joining fixtures, then fine adjustments of the cables/SJT can be made to make sure all fixtures are level.
- Show cross section of mounting setup for leveling purposes level fixtures adjusting aircraft cable length with grippers.
 - Join fixtures. — Make sure all cables are taut.

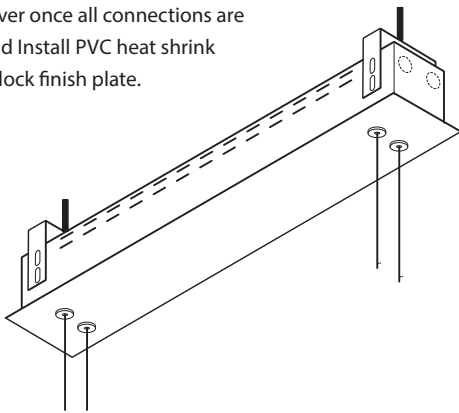


FIXTURE JOINING:

18-8 SS #2 3/8" Flat Head Screw



- 10) Close cover once all connections are made and Install PVC heat shrink and griplock finish plate.



WARNING: Ground fixture in accordance with local and national electrical codes. Failure to do so may result in serious personal injury. Fixture Installations should ONLY be done by a qualified licensed electrical professional.

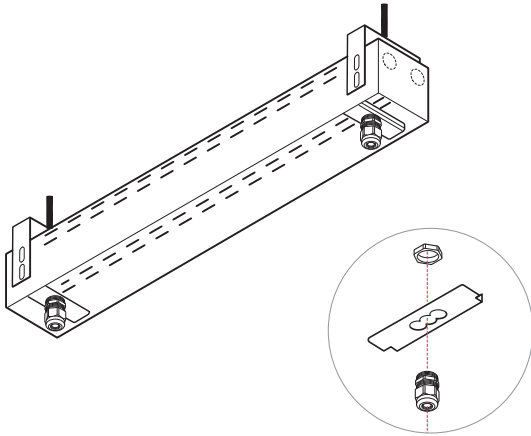


INSTALLATION INSTRUCTIONS

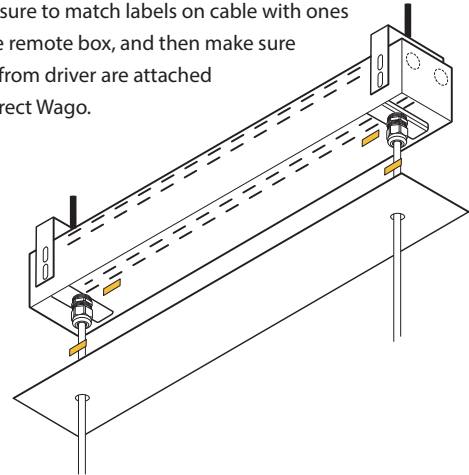
HARD CEILING — X3 / X7

CORD

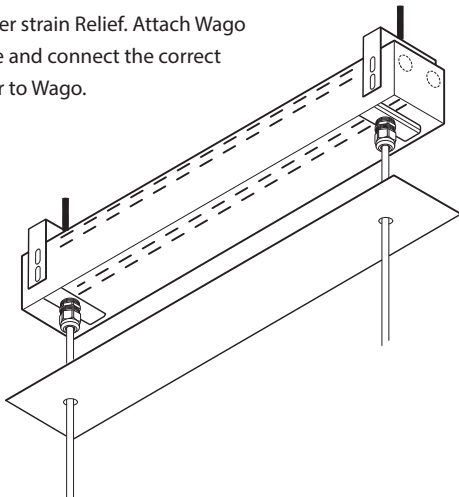
- 5)** Install strain relief cord grip in middle location of bracket. Tighten nut on bracket.



- 6)** Insert SJT cables through cover and in to Strain relief cord grip making sure correct labels match the labels on the driver box. Make sure to match labels on cable with ones on the remote box, and then make sure wires from driver are attached to correct Wago.

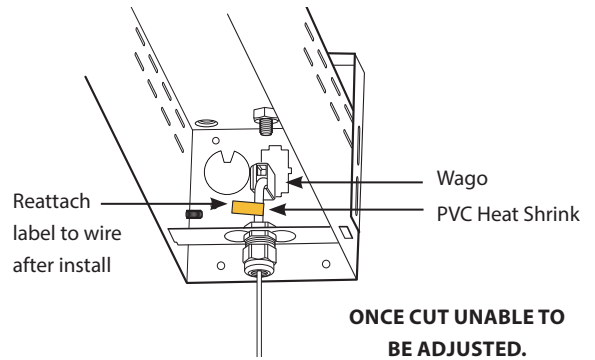


- 7)** Adjust height of fixture and level. Leave about 1" - 2" of SJT after strain Relief. Attach Wago to exposed wire and connect the correct wire from driver to Wago.



COLOR	
	RED
	BLUE
	WHITE/RED
	WHITE/BLUE

- 8)** After correct height is set and leveled cut excess cable and leave 2" of cable after griplock. Cover with PVC (heat shrink) tubing and connect Wago. Make sure PVC tubing is covering any exposed cable (cut to fit). Connect correct power wires to correct Wago. Tighten strain relief excessively



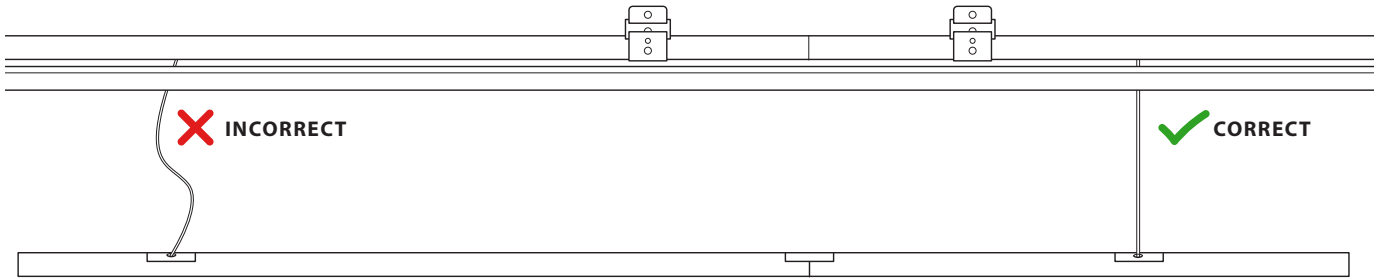
WARNING: Ground fixture in accordance with local and national electrical codes. Failure to do so may result in serious personal injury. Fixture Installations should ONLY be done by a qualified licensed electrical professional.



INSTALLATION INSTRUCTIONS

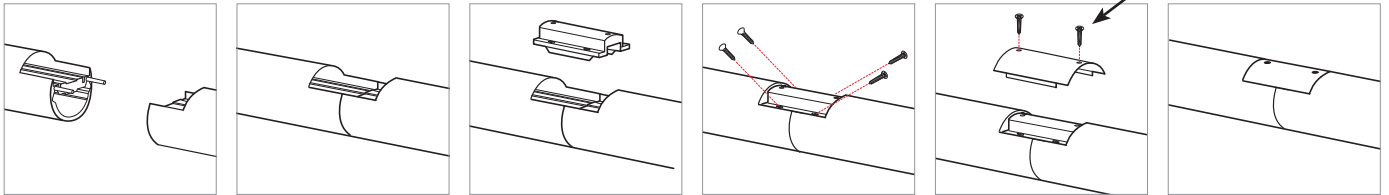
HARD CEILING — X3 / X7

- 9)** To level all fixtures in a row, make sure cables/SJT is approximately the same length and taut after joining fixtures, then fine adjustments of the cables/SJT can be made to make sure all fixtures are level.
- Show cross section of mounting setup for leveling purposes level fixtures adjusting aircraft cable length with grippers.
 - Join fixtures. — Make sure all cables are taut.

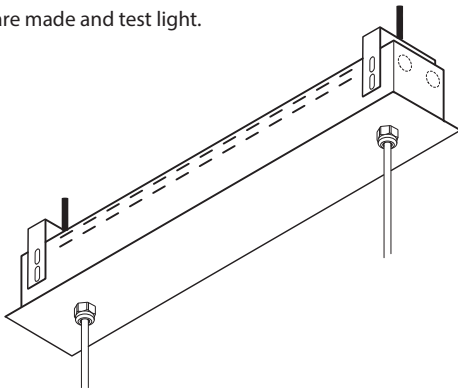


FIXTURE JOINING:

18-8 SS #2 3/8" Flat Head Screw



- 10)** Close cover once all connections are made and test light.



WARNING: Ground fixture in accordance with local and national electrical codes. Failure to do so may result in serious personal injury. Fixture Installations should ONLY be done by a qualified licensed electrical professional.

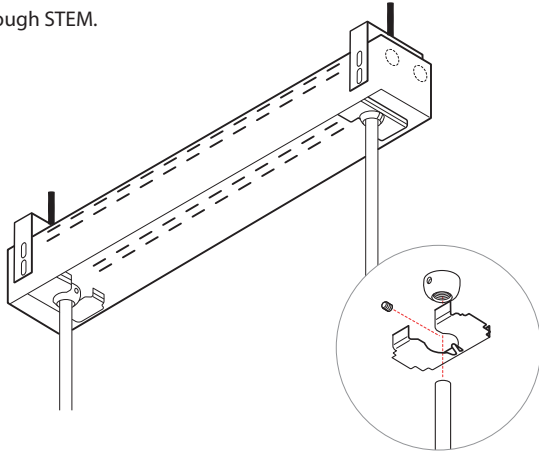


INSTALLATION INSTRUCTIONS

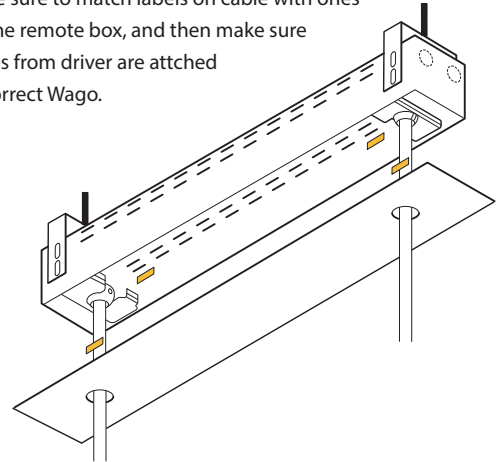
HARD CEILING — X3 / X7

STEM

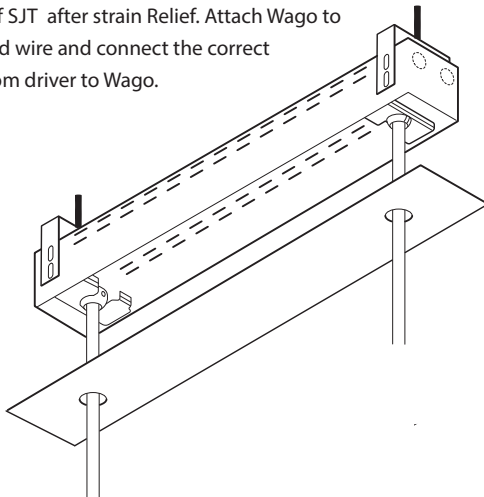
- 5)** Install strain relief cord grip in middle location of bracket. Tighten nut on bracket. Install STEM on fixture and run SJT through STEM.



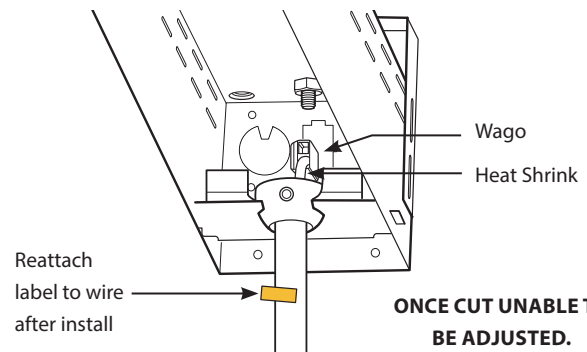
- 6)** Insert SJT cables through cover and in to Strain relief cord grip making sure correct labels match the labels on the driver box. Make sure to match labels on cable with ones on the remote box, and then make sure wires from driver are attached to correct Wago.



- 7)** Adjust height of fixture and level. Leave about 1" - 2" of SJT after strain Relief. Attach Wago to exposed wire and connect the correct wire from driver to Wago.



- 8)** After correct height is set and leveled cut excess cable and leave 2" of cable after griplock. Cover with PVC (heat shrink) tubing and connect Wago. Make sure PVC tubing is covering any exposed cable (cut to fit). Connect correct power wires to correct Wago.



WARNING: Ground fixture in accordance with local and national electrical codes. Failure to do so may result in serious personal injury. Fixture Installations should ONLY be done by a qualified licensed electrical professional.



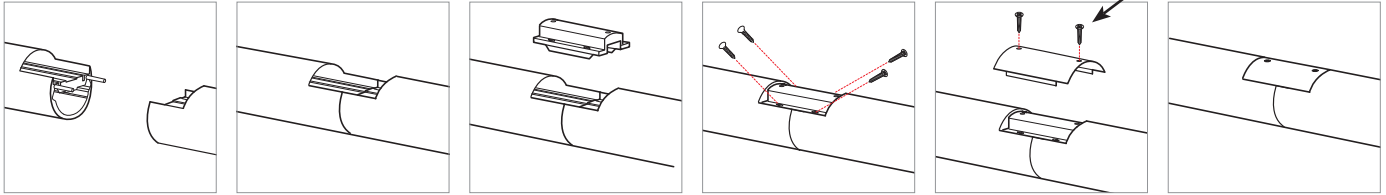
INSTALLATION INSTRUCTIONS

HARD CEILING — X3 / X7

9)

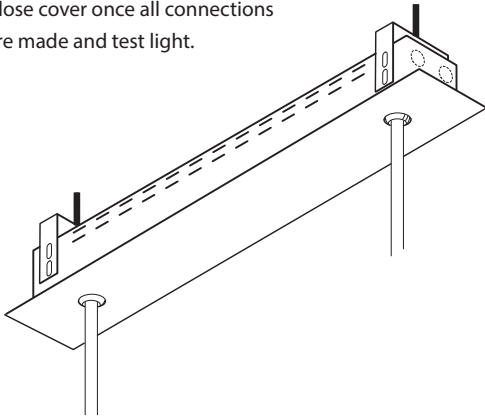
FIXTURE JOINING:

18-8 SS #2 3/8" Flat Head Screw



10)

Close cover once all connections are made and test light.



WARNING: Ground fixture in accordance with local and national electrical codes. Failure to do so may result in serious personal injury. Fixture Installations should ONLY be done by a qualified licensed electrical professional.