



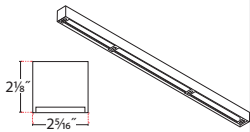
INSTALLATION INSTRUCTIONS

SURFACE WITH DECO REMOTE BOX (DBS/DBD)

SIZE	SPOA	DPOA	STEM	SJT
------	------	------	------	-----

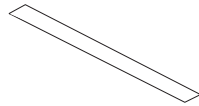
**SINGLE — DBS**

**BODY:**



— 2'	135396	135416	135434	147435	163474
— 3'	135397	135417	135435	147436	163475
— 4'	135398	135418	135436	147437	163476
— 5'	135399	135419	135437	147438	163477
— 6'	135400	135420	135438	147439	163478
— 7'	135401	135421	135439	147440	163479
— 8'	135402	135422	135440	147441	163480
CUSTOM	135403	135423	135441	147442	163481

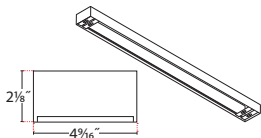
**COVER:**



SIZE	SPOA	DPOA	STEM	SJT
------	------	------	------	-----

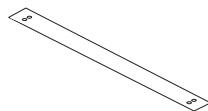
**DOUBLE — DBD**

**BODY:**



— 2'	135404	135424	135432	147423	163482
— 3'	135405	135425	135433	147424	163483
— 4'	135406	135426	135434	147425	163484
— 5'	135407	135427	135435	147426	163485
— 6'	135408	135428	135436	147427	163486
— 7'	135409	135429	135437	147428	163487
— 8'	135410	135430	135448	147429	163488
CUSTOM	135411	135431	135449	147430	163489

**COVER:**



**POWER OVER AIRCRAFT (POA) KIT:**



100-00158-08 106" POA Kit

PART	PART NO.	DESCRIPTION
------	----------	-------------

**SINGLE — DBS (SHIPPED INSTALLED)**

	135501	POA/SJT Bracket (Single)
	147403	Stem Bracket (Single)
	152197	Joiner Bracket (Single) — ROWS ONLY

**DOUBLE — DBD (SHIPPED INSTALLED)**

**BRACKETS:**

	135503	POA/SJT Bracket (Double)
	147404	Stem Bracket (Double)
	163381	Joiner Bracket (Double) — ROWS ONLY

<b>SHIP KIT:</b>	<b>DBSS/DBD — SPOA</b>	166694
	<b>DBSS/DBD — DPOA</b>	166695
	<b>DBSS/DBD — CORD</b>	166696
	<b>DBSS/DBD — SSC</b>	166696

**SSC ONLY:**



100-00103-08 ¼ Swivel Stem Ball & ¼-20 x .250 Socket Hd. Set Screw

**STRAIN RELIEF:**



100-00400-14 Black  
100-00401-14 White



100-00231-14 1/4"-20 IPS Hex lock Nut (Cord Only)

**BLANK COVER (ROWS ONLY):**

	100-00128-03	Standard
	100-00132-03	Louver
<b>FINISH COLOR MATCHES FIXTURE</b> 	100-00375-14	18-8 SS #2 3/8 Flat Head Screw
	100-00491-10	Pru1 Aligner

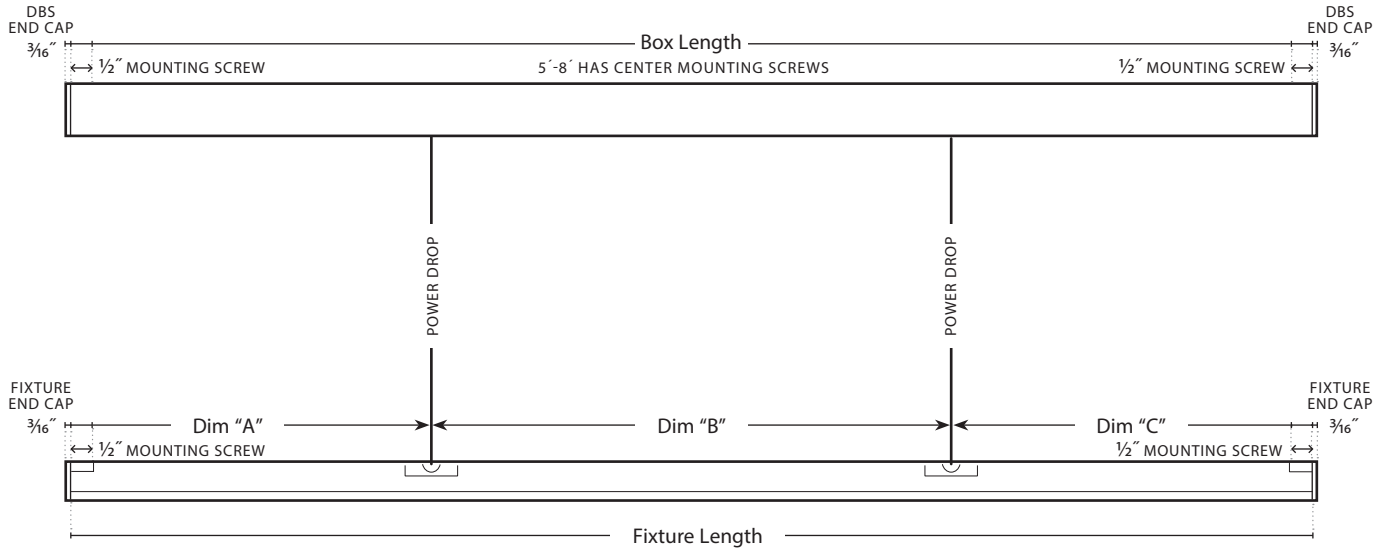
**WARNING:** Ground fixture in accordance with local and national electrical codes. Failure to do so may result in serious personal injury. Fixture Installations should ONLY be done by a qualified licensed electrical professional.



INSTALLATION INSTRUCTIONS

SURFACE WITH DECO REMOTE BOX (DBS/DBD)

INDIVIDUAL LAYOUT



Box Length	Dim "A"	Dim "B"	Dim "C"
2' (24")	2"	20"	2"
3' (36")	8"	20"	8"
4' (48")	14"	20"	14"
5' (60")	9"	42"	9"
6' (72")	15"	42"	15"
7' (84")	21"	42"	21"
8' (96")	27"	42"	27"

**WARNING:** Ground fixture in accordance with local and national electrical codes. Failure to do so may result in serious personal injury. Fixture Installations should ONLY be done by a qualified licensed electrical professional.



INSTALLATION INSTRUCTIONS

ROW FIXTURE MOUNT

STANDARD FIXTURE ROW LAYOUT

ROW LENGTH	FIXTURE ROW
9'	5+4
10'	6+4
11'	7+4
12'	8+4
13'	8+5
14'	8+6
15'	8+7
16'	8+8
17'	8+5+4
18'	8+6+4
19'	8+7+4
20'	8+8+4
21'	8+8+5
22'	8+8+6
23'	8+8+7
24'	8+8+8
25'	8+8+5+4
26'	8+8+6+4
27'	8+8+7+4
28'	8+8+8+4
29'	8+8+8+5
30'	8+8+8+6
31'	8+8+8+7
32'	8+8+8+8
33'	8+8+8+5+4
34'	8+8+8+6+4
35'	8+8+8+7+4
36'	8+8+8+8+4
37'	8+8+8+8+5
38'	8+8+8+8+6
39'	8+8+8+8+7
40'	8+8+8+8+8
41'	8+8+8+8+5+4
42'	8+8+8+8+6+4
43'	8+8+8+8+7+4
44'	8+8+8+8+8+4
45'	8+8+8+8+8+5
46'	8+8+8+8+8+6
47'	8+8+8+8+8+7
48'	8+8+8+8+8+8
49'	8+8+8+8+8+5+4
50'	8+8+8+8+8+6+4

SYMMETRIC FIXTURE ROW LAYOUT

ROW LENGTH	FIXTURE ROW
9'	3+3+3
10'	5+5
11'	4+3+4
12'	6+6
13'	4+5+4
14'	7+7
15'	5+5+5
16'	8+8
17'	6+5+6
18'	6+6+6
19'	6+7+6
20'	8+4+8
21'	8+5+8
22'	8+6+8
23'	8+7+8
24'	8+8+8
25'	6+4+5+4+6
26'	8+5+5+8
27'	6+5+5+5+6
28'	8+6+6+8
29'	8+5+3+5+8
30'	8+7+7+8
31'	8+5+5+5+8
32'	8+8+8+8
33'	8+6+5+6+8
34'	8+6+6+6+8
35'	8+7+5+7+8
36'	8+8+4+8+8
37'	8+8+5+8+8
38'	8+8+6+8+8
39'	8+8+7+8+8
40'	8+8+8+8+8
41'	8+6+4+5+4+6+8
42'	8+8+5+5+8+8
43'	8+6+5+5+5+6+8
44'	8+8+6+6+8+8
45'	8+8+5+3+5+8+8
46'	8+8+7+7+8+8
47'	8+8+5+5+5+8+8
48'	8+8+8+8+8+8
49'	8+8+6+5+6+8+8
50'	8+8+6+6+6+8+8

**WARNING:** Ground fixture in accordance with local and national electrical codes. Failure to do so may result in serious personal injury. Fixture Installations should ONLY be done by a qualified licensed electrical professional.

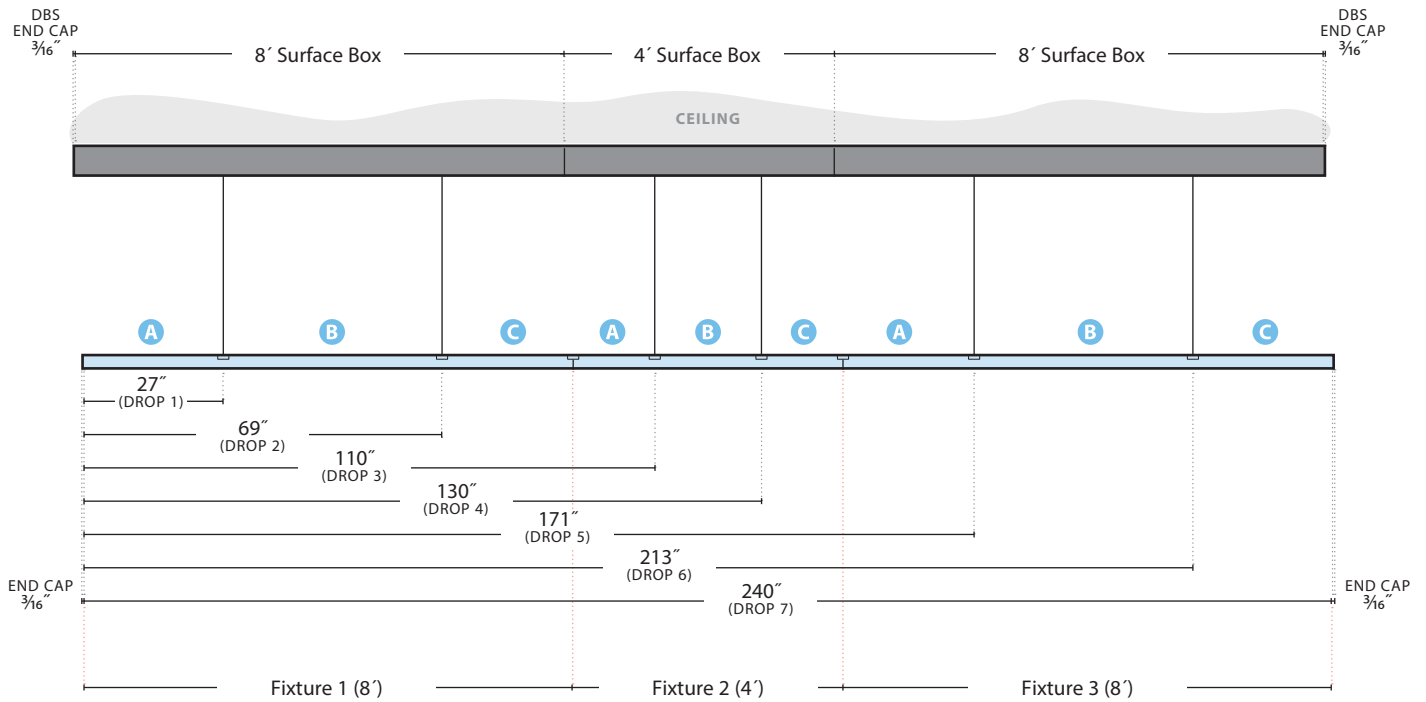


INSTALLATION INSTRUCTIONS

SURFACE WITH DECO REMOTE BOX (DBS/DBD)

ROW LAYOUT

20' SYMMETRIC EXAMPLE:



Fixture Length	Dim "A"	Dim "B"	Dim "C"
2' (24")	2"	20"	2"
3' (36")	8"	20"	8"
4' (48")	14"	20"	14"
5' (60")	9"	42"	9"
6' (72")	15"	42"	15"
7' (84")	21"	42"	21"
8' (96")	27"	42"	27"

**WARNING:** Ground fixture in accordance with local and national electrical codes. Failure to do so may result in serious personal injury. Fixture Installations should ONLY be done by a qualified licensed electrical professional.



INSTALLATION INSTRUCTIONS

SURFACE WITH DECO REMOTE BOX (DBS/DBD)

FIXTURE & END CAP MOUNT LOCATIONS

STANDARD FIXTURE ROW LAYOUT DIMENSIONS

ROW LENGTH	DROP													
	1	2	3	4	5	6	7	8	9	10	11	12	13	14
9'	9"	51"	74"	94"	—	—	—	—	—	—	—	—	—	—
10'	15"	57"	86"	106"	—	—	—	—	—	—	—	—	—	—
11'	21"	63"	98"	118"	—	—	—	—	—	—	—	—	—	—
12'	27"	69"	110"	130"	—	—	—	—	—	—	—	—	—	—
13'	27"	69"	105"	147"	—	—	—	—	—	—	—	—	—	—
14'	27"	69"	111"	153"	—	—	—	—	—	—	—	—	—	—
15'	21"	69"	117"	159"	—	—	—	—	—	—	—	—	—	—
16'	27"	69"	123"	165"	—	—	—	—	—	—	—	—	—	—
17'	27"	69"	105"	147"	170"	190"	—	—	—	—	—	—	—	—
18'	27"	69"	111"	153"	182"	202"	—	—	—	—	—	—	—	—
19'	21"	69"	117"	159"	194"	214"	—	—	—	—	—	—	—	—
20'	27"	69"	123"	165"	206"	226"	—	—	—	—	—	—	—	—
21'	27"	69"	123"	165"	201"	243"	—	—	—	—	—	—	—	—
22'	27"	69"	123"	165"	207"	249"	—	—	—	—	—	—	—	—
23'	21"	69"	123"	165"	213"	255"	—	—	—	—	—	—	—	—
24'	27"	69"	123"	165"	219"	261"	—	—	—	—	—	—	—	—
25'	27"	69"	123"	165"	201"	243"	266"	286"	—	—	—	—	—	—
26'	27"	69"	123"	165"	207"	249"	278"	298"	—	—	—	—	—	—
27'	27"	69"	123"	165"	213"	255"	290"	310"	—	—	—	—	—	—
28'	27"	69"	123"	165"	219"	261"	302"	322"	—	—	—	—	—	—
29'	27"	69"	123"	165"	219"	261"	297"	339"	—	—	—	—	—	—
30'	27"	69"	123"	165"	219"	261"	303"	345"	—	—	—	—	—	—
31'	27"	69"	123"	165"	219"	261"	309"	351"	—	—	—	—	—	—
32'	27"	69"	123"	165"	219"	261"	315"	357"	—	—	—	—	—	—
33'	27"	69"	123"	165"	219"	261"	297"	339"	362"	382"	—	—	—	—
34'	27"	69"	123"	165"	219"	261"	303"	345"	374"	394"	—	—	—	—
35'	27"	69"	123"	165"	219"	261"	309"	351"	386"	406"	—	—	—	—
36'	27"	69"	123"	165"	219"	261"	315"	357"	398"	418"	—	—	—	—
37'	27"	69"	123"	165"	219"	261"	315"	357"	393"	435"	—	—	—	—
38'	27"	69"	123"	165"	219"	261"	315"	357"	399"	441"	—	—	—	—
39'	27"	69"	123"	165"	219"	261"	315"	357"	405"	447"	—	—	—	—
40'	27"	69"	123"	165"	219"	261"	315"	357"	411"	453"	—	—	—	—
41'	27"	69"	123"	165"	219"	261"	315"	357"	393"	435"	458"	478"	—	—
42'	27"	69"	123"	165"	219"	261"	315"	357"	399"	441"	470"	490"	—	—
43'	27"	69"	123"	165"	219"	261"	315"	357"	405"	447"	482"	502"	—	—
44'	27"	69"	123"	165"	219"	261"	315"	357"	411"	453"	494"	514"	—	—
45'	27"	69"	123"	165"	219"	261"	315"	357"	411"	453"	489"	531"	—	—
46'	27"	69"	123"	165"	219"	261"	315"	357"	411"	453"	495"	537"	—	—
47'	27"	69"	123"	165"	219"	261"	315"	357"	411"	453"	501"	543"	—	—
48'	27"	69"	123"	165"	219"	261"	315"	357"	411"	453"	507"	549"	—	—
49'	27"	69"	123"	165"	219"	261"	315"	357"	411"	453"	489"	531"	554"	574"
50'	27"	69"	123"	165"	219"	261"	315"	357"	411"	453"	495"	537"	566"	586"

**WARNING:** Ground fixture in accordance with local and national electrical codes. Failure to do so may result in serious personal injury. Fixture Installations should ONLY be done by a qualified licensed electrical professional.



INSTALLATION INSTRUCTIONS

FIXTURE & END CAP MOUNT LOCATIONS

SYMMETRIC FIXTURE ROW LAYOUT DIMENSIONS

ROW LENGTH	1	2	3	4	5	6	DROP		8	9	10	11	12	13	14
9'	8"	28"	44"	64"	80"	100"	—	—	—	—	—	—	—	—	—
10'	9"	51"	69"	111"	—	—	—	—	—	—	—	—	—	—	—
11'	14"	34"	56"	76"	98"	118"	—	—	—	—	—	—	—	—	—
12'	15"	57"	87"	129"	—	—	—	—	—	—	—	—	—	—	—
13'	14"	34"	57"	99"	122"	142"	—	—	—	—	—	—	—	—	—
14'	21"	63"	105"	147"	—	—	—	—	—	—	—	—	—	—	—
15'	9"	51"	69"	111"	129"	171"	—	—	—	—	—	—	—	—	—
16'	27"	69"	123"	165"	—	—	—	—	—	—	—	—	—	—	—
17'	15"	57"	81"	123"	147"	189"	—	—	—	—	—	—	—	—	—
18'	15"	57"	87"	129"	159"	201"	—	—	—	—	—	—	—	—	—
19'	15"	57"	93"	135"	171"	213"	—	—	—	—	—	—	—	—	—
*20'	27"	69"	110"	130"	171"	213"	—	—	—	—	—	—	—	—	—
21'	27"	69"	105"	147"	183"	225"	—	—	—	—	—	—	—	—	—
22'	27"	69"	111"	153"	195"	237"	—	—	—	—	—	—	—	—	—
23'	27"	69"	117"	159"	207"	249"	—	—	—	—	—	—	—	—	—
24'	27"	69"	123"	165"	219"	261"	—	—	—	—	—	—	—	—	—
25'	15"	57"	86"	106"	129"	171"	194"	214"	243"	285"	—	—	—	—	—
26'	27"	69"	105"	147"	165"	207"	243"	285"	—	—	—	—	—	—	—
27'	15"	57"	81"	123"	141"	183"	201"	243"	267"	309"	—	—	—	—	—
28'	27"	69"	111"	153"	183"	225"	267"	309"	—	—	—	—	—	—	—
29'	27"	69"	105"	147"	164"	184"	201"	243"	279"	321"	—	—	—	—	—
30'	27"	69"	117"	159"	201"	243"	291"	333"	—	—	—	—	—	—	—
31'	27"	69"	105"	147"	165"	207"	225"	267"	303"	345"	—	—	—	—	—
32'	27"	69"	123"	165"	219"	261"	315"	357"	—	—	—	—	—	—	—
33'	27"	69"	111"	153"	177"	219"	243"	285"	327"	369"	—	—	—	—	—
34'	27"	69"	111"	153"	183"	225"	255"	297"	339"	381"	—	—	—	—	—
35'	27"	69"	117"	159"	189"	231"	261"	303"	351"	393"	—	—	—	—	—
36'	27"	69"	123"	165"	206"	226"	267"	309"	363"	405"	—	—	—	—	—
37'	27"	69"	123"	165"	201"	243"	279"	321"	375"	417"	—	—	—	—	—
38'	27"	69"	123"	165"	207"	249"	291"	333"	387"	429"	—	—	—	—	—
39'	27"	69"	123"	165"	213"	255"	303"	345"	399"	441"	—	—	—	—	—
40'	27"	69"	123"	165"	219"	261"	315"	357"	411"	453"	—	—	—	—	—
41'	27"	69"	111"	153"	182"	202"	225"	267"	290"	310"	339"	381"	423"	465"	—
42'	27"	69"	123"	165"	201"	243"	261"	303"	339"	381"	435"	477"	—	—	—
43'	27"	69"	111"	153"	177"	219"	237"	279"	297"	339"	363"	405"	447"	489"	—
44'	27"	69"	123"	165"	207"	249"	279"	321"	363"	405"	459"	501"	—	—	—
45'	27"	69"	123"	165"	201"	243"	260"	280"	297"	339"	375"	417"	471"	513"	—
46'	27"	69"	123"	165"	213"	255"	297"	339"	387"	429"	483"	525"	—	—	—
47'	27"	69"	123"	165"	201"	243"	261"	303"	321"	363"	399"	441"	495"	537"	—
48'	27"	69"	123"	165"	219"	261"	315"	357"	411"	453"	507"	549"	—	—	—
49'	27"	69"	123"	165"	207"	249"	273"	315"	339"	381"	423"	465"	519"	561"	—
50'	27"	69"	123"	165"	207"	249"	279"	321"	351"	393"	435"	477"	531"	573"	—

\* See page 4 for row layout example

**WARNING:** Ground fixture in accordance with local and national electrical codes. Failure to do so may result in serious personal injury. Fixture Installations should ONLY be done by a qualified licensed electrical professional.

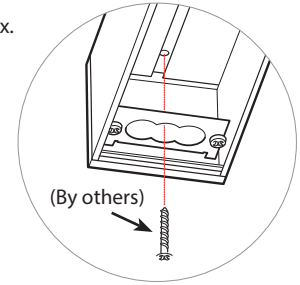
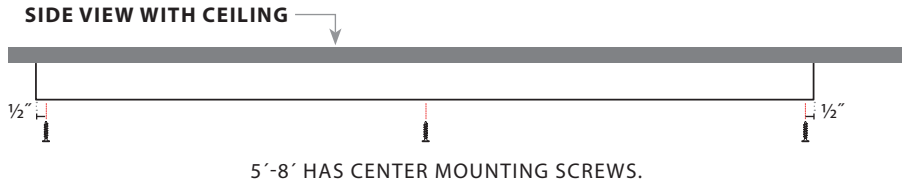


**INSTALLATION INSTRUCTIONS**

**DECO SURFACE BOX (DBS/DBD)**

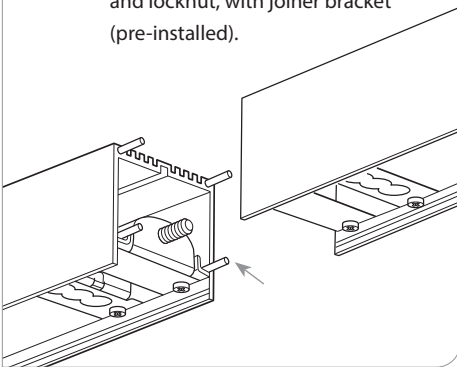
**REQUIRES TWO PEOPLE TO INSTALL**

**1)** Secure remote box using screws and anchors to structure (by others), in drilled out holes on the base of remote box. If the fixture is in a row refer back to layout and dimension charts above.

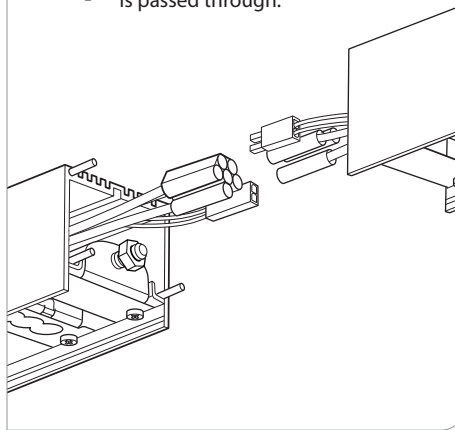


**IF A ROW OF FIXTURES ARE PLACED WITH DBS OR DBD;**

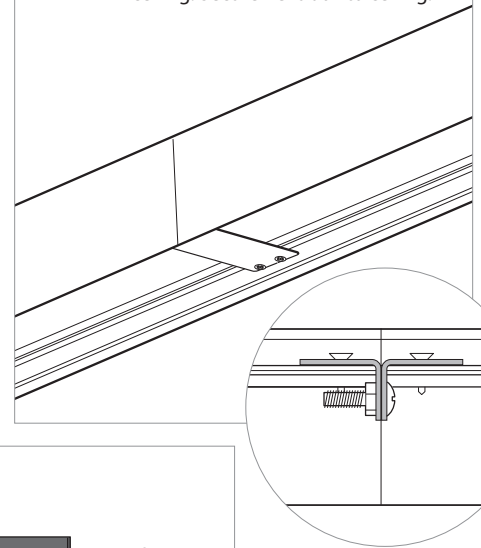
**2a)** After the first box is secured to ceiling, use the pins (installed) to help align the next box and with 8-32 screw and locknut, with joiner bracket (pre-installed).



**2b)** Connect wire harness if power is passed through.



**2c)** Once box is joined, secure to ceiling. Secure next box to ceiling.



**2d)** Complete row as needed.



**WARNING:** Ground fixture in accordance with local and national electrical codes. Failure to do so may result in serious personal injury. Fixture Installations should ONLY be done by a qualified licensed electrical professional.



**INSTALLATION INSTRUCTIONS**

**SURFACE WITH DECO REMOTE BOX (DBS/DBD)**

**CONTINUE TO THE FOLLOWING PAGES FOR...**

**PAGE 09. SPOA — SINGLE POWER OVER AIRCRAFT**

**PAGE 11. DPOA — DOUBLE POWER OVER AIRCRAFT**

**PAGE 13. CORD**

**PAGE 15. STEM**

**WARNING:** Ground fixture in accordance with local and national electrical codes. Failure to do so may result in serious personal injury. Fixture Installations should ONLY be done by a qualified licensed electrical professional.

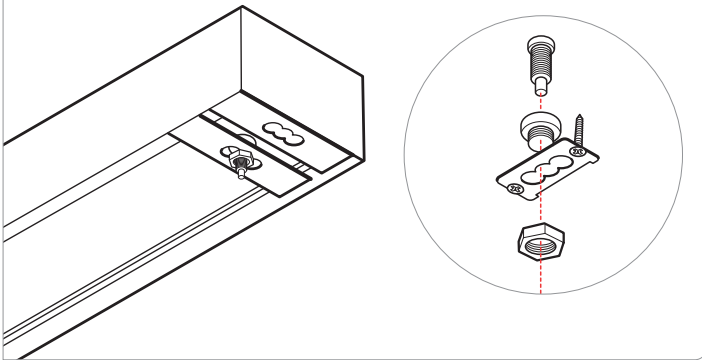


INSTALLATION INSTRUCTIONS

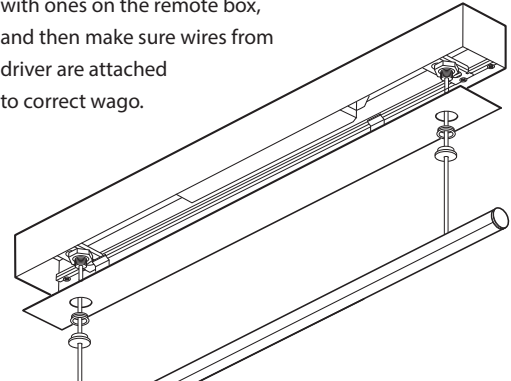
SURFACE WITH DECO REMOTE BOX (DBS/DBD)

SPOA — SINGLE POWER OVER AIRCRAFT

**3)** Install plastic insulation grommet and secure using nut, and insert griplock (adjust height of griplock holder if needed).

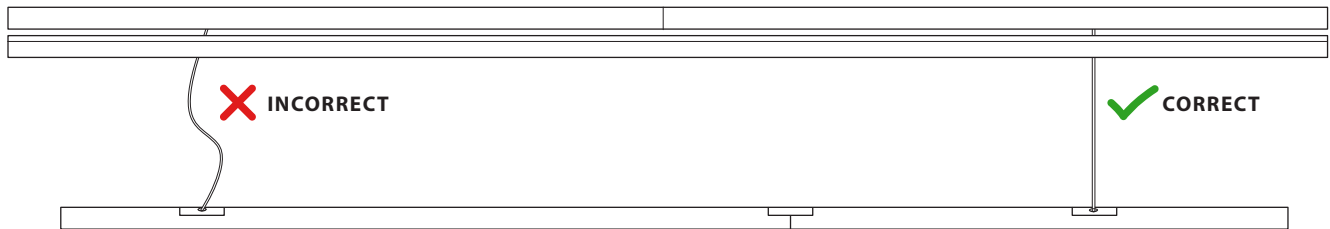


**4)** Insert POA cable through griplock face plate and plastic grommet and insert into griplock holder. Make sure to match labels on cable with ones on the remote box, and then make sure wires from driver are attached to correct wago.



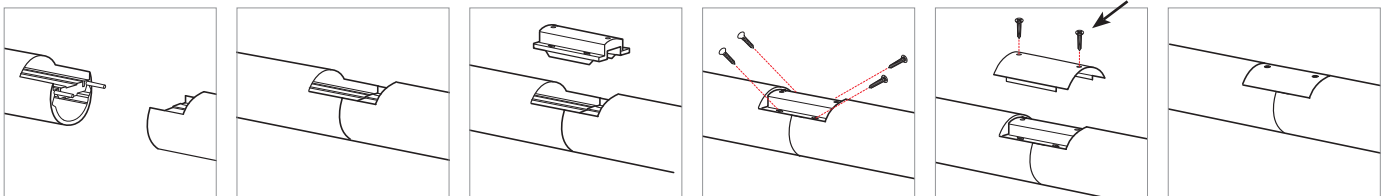
**5)** To level all fixtures in a row, make sure cables/SJT is approximately the same length and taut after joining fixtures, then fine adjustments of the cables/SJT can be made to make sure all fixtures are level.

- Show cross section of mounting setup for leveling purposes level fixtures adjusting aircraft cable length with grippers.
- Join fixtures.      — Make sure all cables are taut.

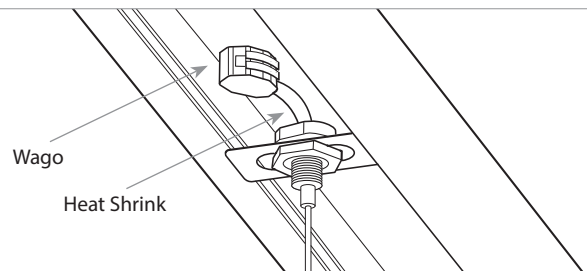


**FIXTURE JOINING:**

18-8 SS #2 3/8" Flat Head Screw



**6)** After correct height is set and leveled cut excess cable and leave 2" of cable after griplock. Cover with PVC (heat shrink) tubing and connect wago. Make sure PVC tubing is covering any exposed cable. Connect correct power wires to correct wago.



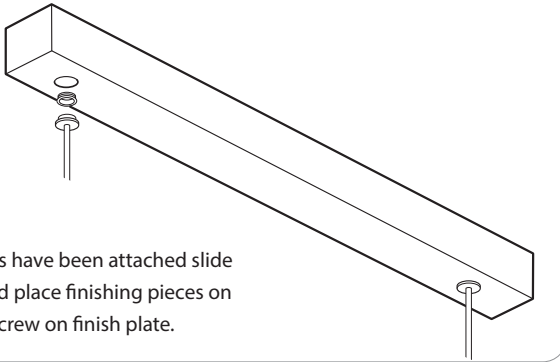
**WARNING:** Ground fixture in accordance with local and national electrical codes. Failure to do so may result in serious personal injury. Fixture Installations should ONLY be done by a qualified licensed electrical professional.



INSTALLATION INSTRUCTIONS

SURFACE WITH DECO REMOTE BOX (DBS/DBD)

7)



When cables have been attached slide cover on and place finishing pieces on cover, and screw on finish plate.

**WARNING:** Ground fixture in accordance with local and national electrical codes. Failure to do so may result in serious personal injury. Fixture Installations should ONLY be done by a qualified licensed electrical professional.

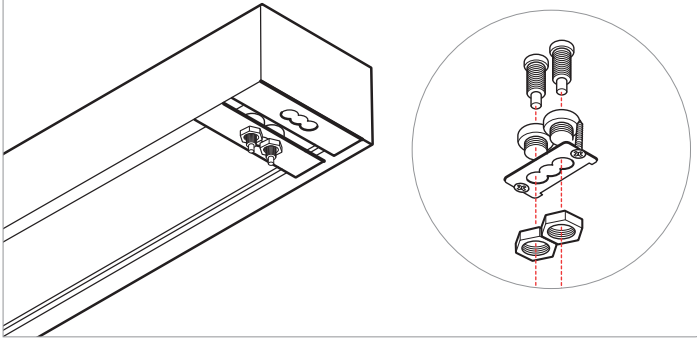


INSTALLATION INSTRUCTIONS

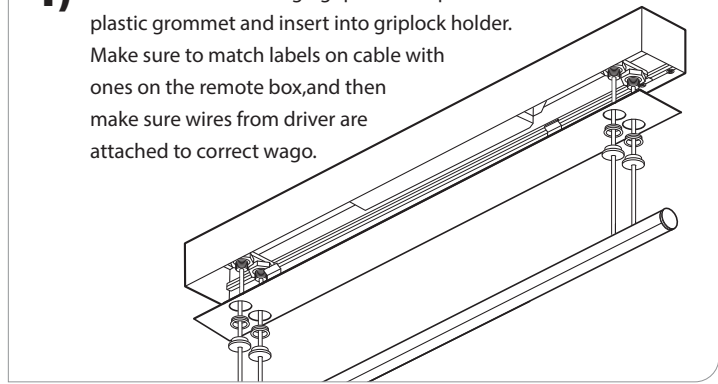
SURFACE WITH DECO REMOTE BOX (DBS/DBD)

DPOA — DOUBLE POWER OVER AIRCRAFT

**3)** Install plastic insulation grommet and secure using nut, and insert griplock (adjust height of griplock holder if needed).

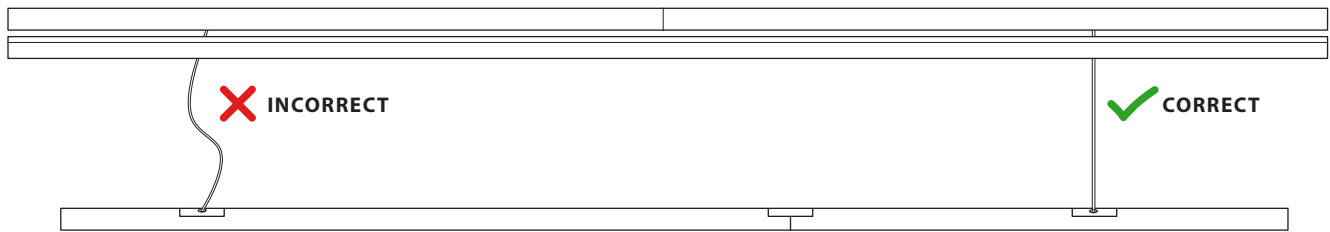


**4)** Insert POA cable through griplock face plate and plastic grommet and insert into griplock holder. Make sure to match labels on cable with ones on the remote box, and then make sure wires from driver are attached to correct wago.

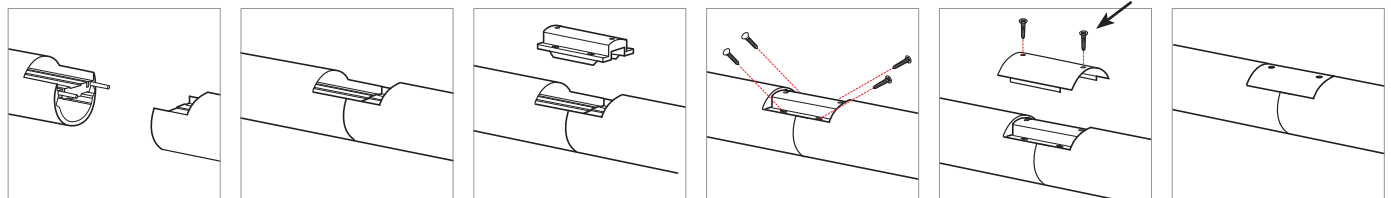


**5)** To level all fixtures in a row, make sure cables/SJT is approximately the same length and taut after joining fixtures, then fine adjustments of the cables/SJT can be made to make sure all fixtures are level.

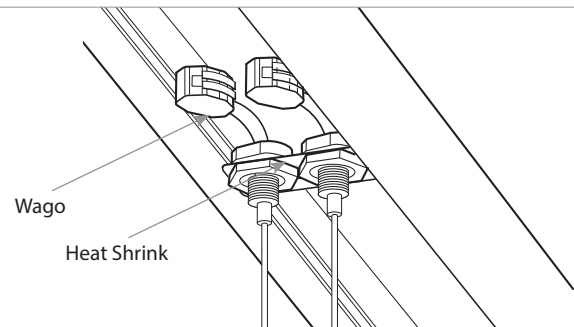
- Show cross section of mounting setup for leveling purposes level fixtures adjusting aircraft cable length with grippers.
- Join fixtures. — Make sure all cables are taut.



FIXTURE JOINING:



**6)** After correct height is set and leveled cut excess cable and leave 2" of cable after griplock. Cover with PVC (heat shrink) tubing and connect wago. Make sure PVC tubing is covering any exposed cable. Connect correct power wires to correct wago.



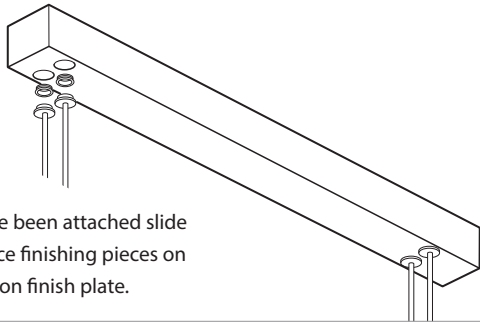
**WARNING:** Ground fixture in accordance with local and national electrical codes. Failure to do so may result in serious personal injury. Fixture Installations should ONLY be done by a qualified licensed electrical professional.



INSTALLATION INSTRUCTIONS

SURFACE WITH DECO REMOTE BOX (DBS/DBD)

7)



When cables have been attached slide cover on and place finishing pieces on cover, and screw on finish plate.

**WARNING:** Ground fixture in accordance with local and national electrical codes. Failure to do so may result in serious personal injury. Fixture Installations should ONLY be done by a qualified licensed electrical professional.



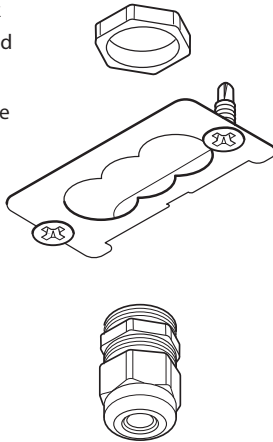
INSTALLATION INSTRUCTIONS

SURFACE WITH DECO REMOTE BOX (DBS/DBD)

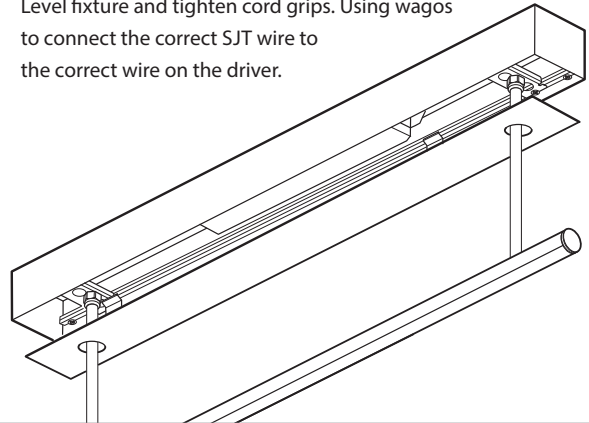
CORD

**3)** Insert POA cable through griplock face plate and plastic grommet and insert into griplock holder.

Make sure to match labels on cable with ones on the remote box, and then make sure wires from driver are attached to correct wago.

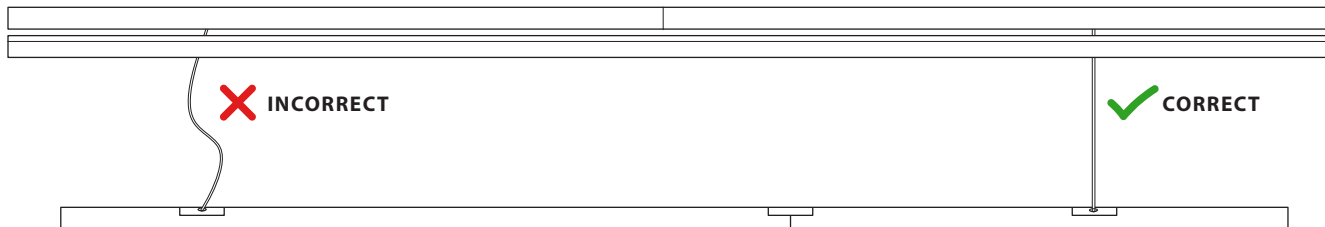


**4)** Run SJT through cover hole matching labels on box. Level fixture and tighten cord grips. Using wagos to connect the correct SJT wire to the correct wire on the driver.

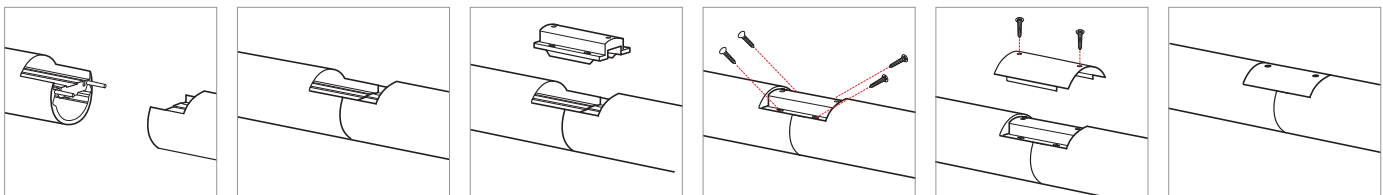


**5)** To level all fixtures in a row, make sure cables/SJT is approximately the same length and taut after joining fixtures, then fine adjustments of the cables/SJT can be made to make sure all fixtures are level.

- Show cross section of mounting setup for leveling purposes level fixtures adjusting aircraft cable length with grippers.
- Join fixtures.
- Make sure all cables are taut.
- Make changes to connecting setup.



CONNECTING SETUP

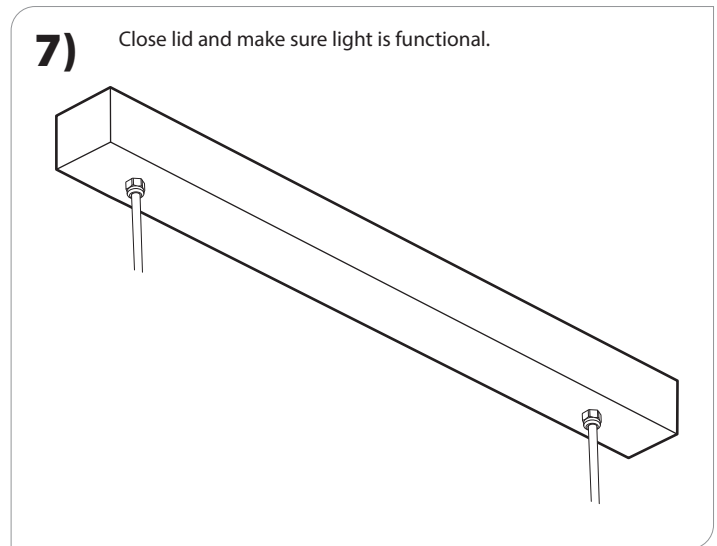
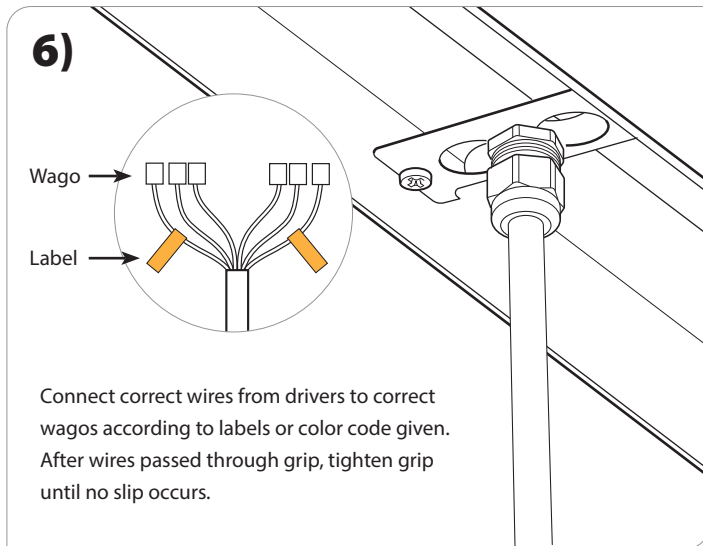


**WARNING:** Ground fixture in accordance with local and national electrical codes. Failure to do so may result in serious personal injury. Fixture Installations should ONLY be done by a qualified licensed electrical professional.



## INSTALLATION INSTRUCTIONS

### SURFACE WITH DECO REMOTE BOX (DBS/DBD)



**WARNING:** Ground fixture in accordance with local and national electrical codes. Failure to do so may result in serious personal injury. Fixture Installations should ONLY be done by a qualified licensed electrical professional.

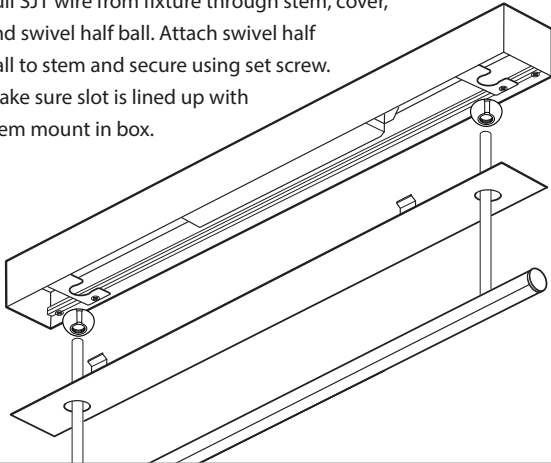


INSTALLATION INSTRUCTIONS

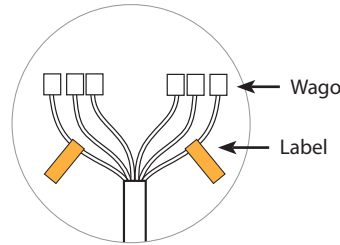
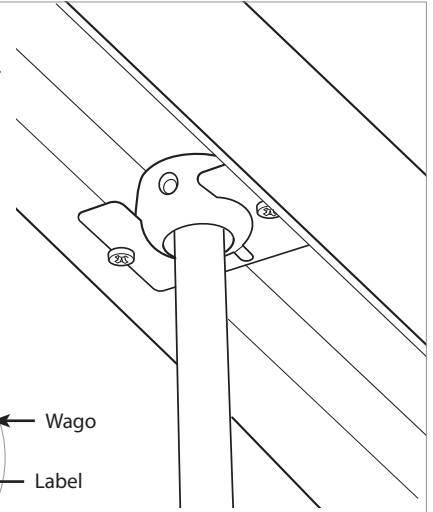
SURFACE WITH DECO REMOTE BOX (DBS/DBD)

STEM

- 3)** Pull SJT wire from fixture through stem, cover, and swivel half ball. Attach swivel half ball to stem and secure using set screw. Make sure slot is lined up with stem mount in box.

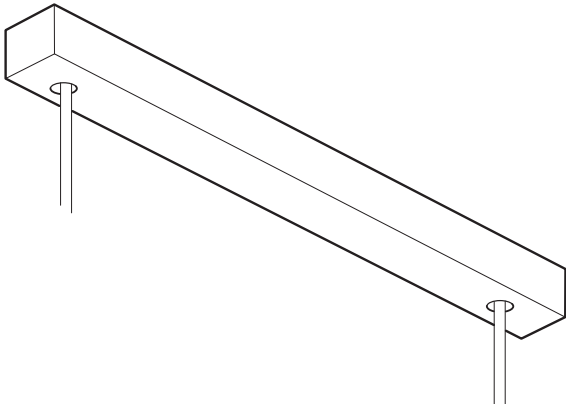


- 4)** Hook and place half ball's on stem bracket. Small height adjustments can be made at the ball end. Attach wires with the correct labels to the driver wires with the matching labels.

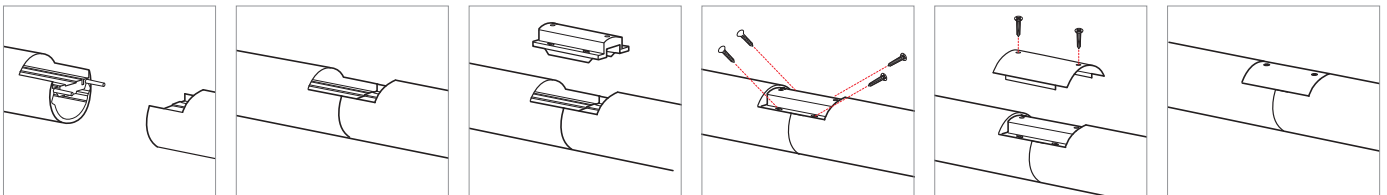


If fixture not level unscrew set screw and adjust from position.

- 5)** Close lid and make sure light works.



CONNECTING SETUP



**WARNING:** Ground fixture in accordance with local and national electrical codes. Failure to do so may result in serious personal injury. Fixture Installations should ONLY be done by a qualified licensed electrical professional.