

# Pru1

LINEAR & WALL WASH

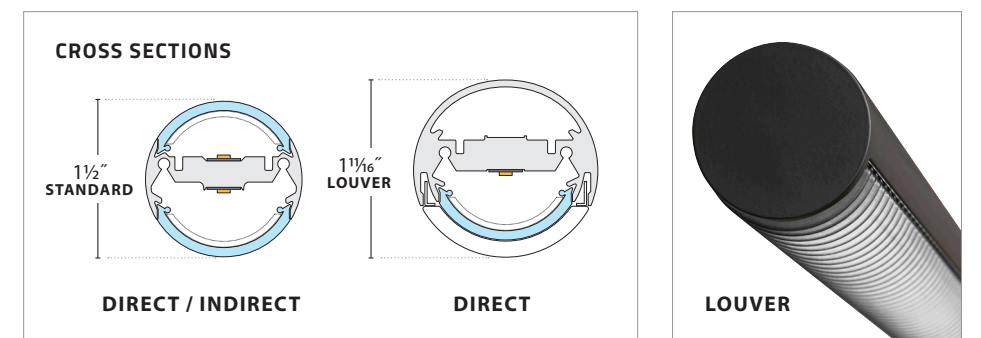
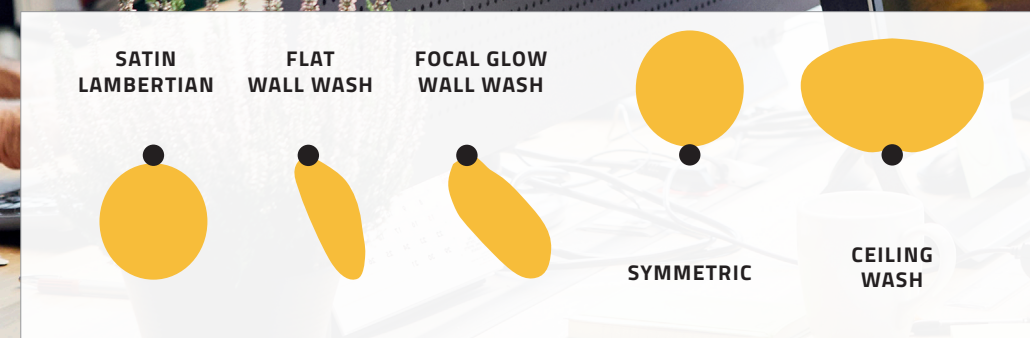


PRUDENTIAL LTG.



“ I want to see light,  
not light fixtures ”

We present Pru1 — sleek, minimal illumination. No power cord, nearly invisible mounting hardware options, an elegant linear luminaire at a petite 1.5” diameter. Ceiling Wash for wider spacing between luminaires, Flat and Focal Glow Wall Washes for layers of light, Prudential Lighting is always pressing the boundaries to create superior performance. More than sixty-five years since our first fixture, we are beginning again with Pru1.

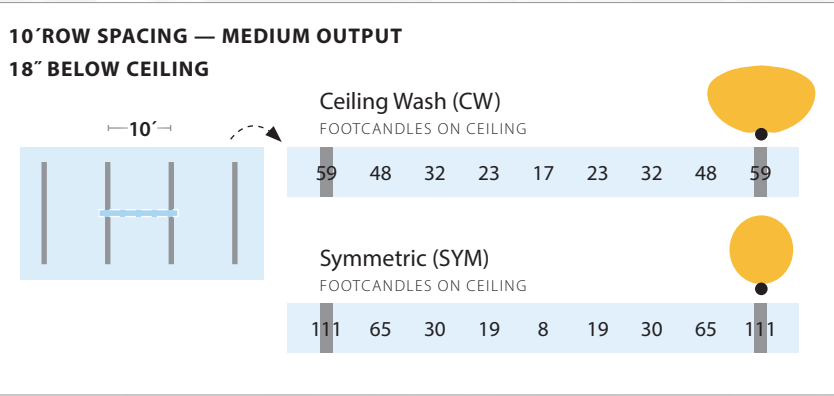


Luminaires appears to "float" with no power cord (POA)



### Ceiling Wash Vs. Symmetric

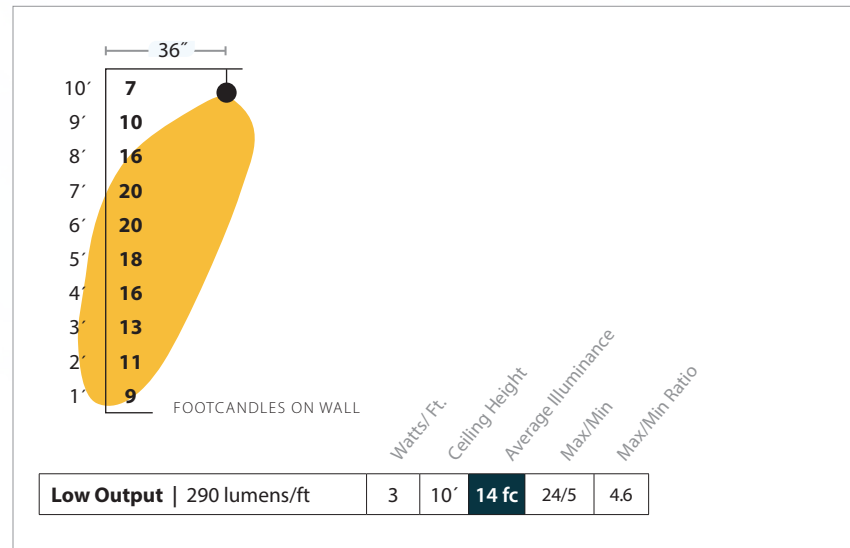
Indirect illumination is often too bright directly above luminaires. Our Symmetric distribution is best utilized for open ceilings or mounting distance of at least 24 inches. Our Ceiling Wash gently washes ceilings with more even illumination.



# Why two Wall Washes?

## Flat Wall Wash

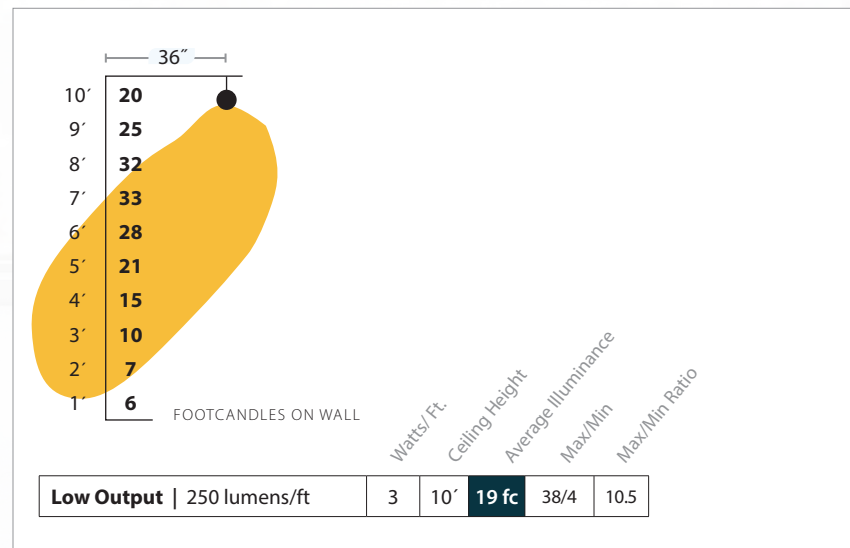
Bathes walls in soft, even floor-to-ceiling light to create a monolithic accent wall. Fixture placement (setback) is critical. Too close to the surface being lit, and the evenness is compromised. Too far, and the floor will be lit. We aim for max intensity at 20 degrees, so for a 8 to 9-foot mounting the fixture is placed 36 inches away.



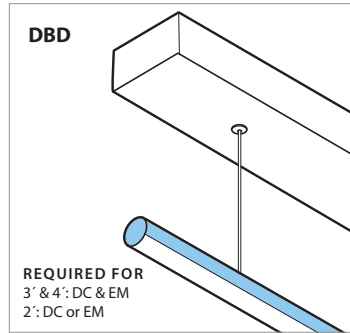
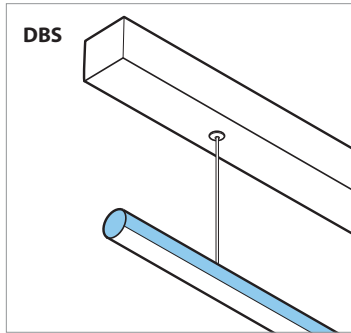
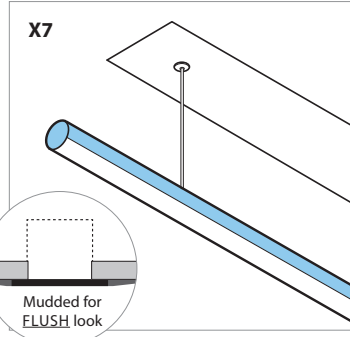
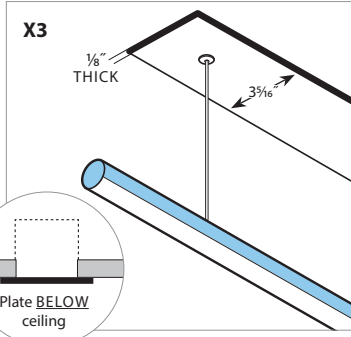
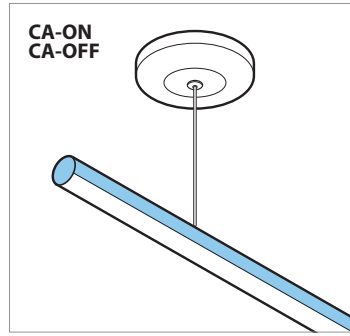
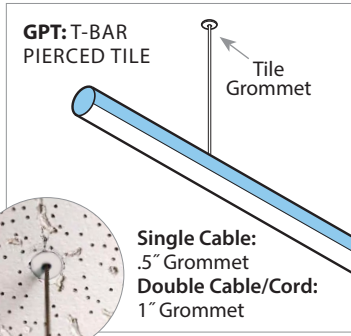
## Focal Glow Wall Wash

Designed to highlight artwork or add drama to a vertical surface, the max intensity angle is raised to about 40 degrees – creating a sweeping curve with a highlight at eye level falling off smoothly above and below.

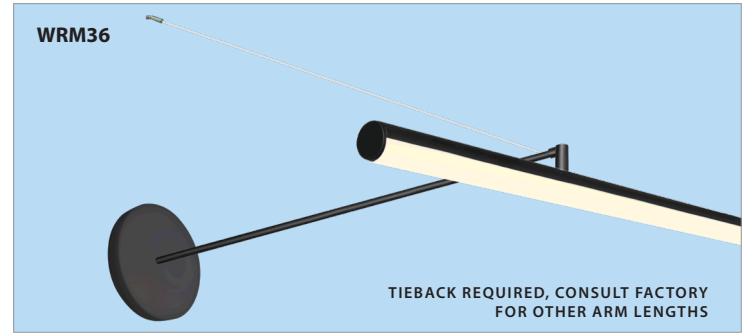
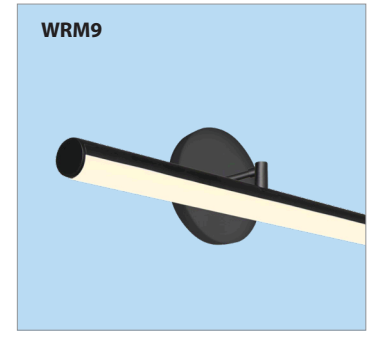
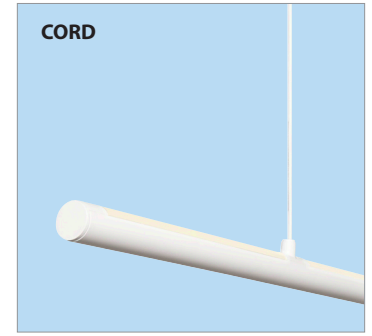
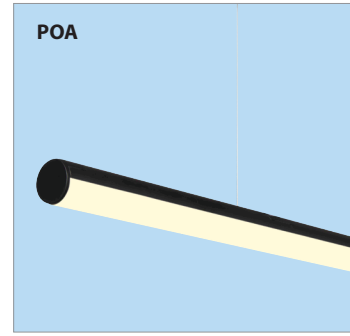
Here too, placement is essential for desired effect. Too close and the highlight area intensifies, moving too high up the wall, place it too far away and the dynamic quality gets muted. 36 inches is typically the proper distance, again dependent upon mounting height.



## CEILING SYSTEMS



## MOUNTING TYPES



SE-RIES	BODY STYLE	LED COLOR	OUTPUT	NOMINAL LENGTH	BODY COLOR	LOUVER COLOR	DISTRIBUTION	CIRCUITING	VOLT-AGE	MOUNTING	CEILING SYS-TEMS	REMOTE BOX / CANOPY COLOR	DRIVERS	OPTIONS
Pru1 Pru1 Linear	STD Standard	LED27 2700K (90CRI)	<b>DOWN:</b> LO Low	2' 3'	TMW Textured Matte White (Standard)	TMW Textured Matte White (Standard)	<b>DOWN LINEAR ONLY:</b> NW No Down- light	SC Single Circuit	UNV (120- 277)	POA 96" <sup>#</sup> Power over Aircraft (No Cord, NA SSC)	GPT T-Bar Grid, Pierced Tile, Off Grid	TMW Textured Matte White (Standard)	ND Non-Dim- ming	EM- HE-RTK CA T20 Emergency Battery (CA Title 20 compliant)
Pru1- Wash Pru1 Wall Wash	LVR Lou- ver	LED3 3000K	MO Medi- um	4' 5'	YGW Gloss White	YGW Gloss White	NW No Down- light	DC Dual Circuit (Linear only)	347 (Emer- gency battery re- quires a Step Down trans- former)	CORD 48", 96" or 144" <sup>#</sup> Fixture Suspend- ed by Power Cord	CA-ON T-Bar Cable Mount, On Grid CA-OFF T-bar Cable Mount, Off Grid	YGW Gloss White	DMO1 0-10v, 1% Dimming (Standard)	ETS-D R Iota ETS-DR Emergency Transfer Switch
		LED35 3500K	SO Stan- dard	6' 7'	YGW Gloss White	YGW Gloss White	SAL Satin Acrylic			48", 96" or 144" <sup>#</sup> Fixture Suspend- ed by Power Cord	Grid CA-OFF T-bar Cable Mount, Off Grid	Y____ Premium Color	LDE1 Hi-lume 1% EcoSystem LED (Soft fade on, fade-to-black dimming)	
		LED4 4000K	SO Stan- dard	8' R____ (Row length, 1' increments)	Y____ Premi- um Color	Y____ Premi- um Color	SAL Satin Acrylic			SSC* Top-Stem Swival Mount (Specify length)	CA-OFF T-bar Cable Mount, Off Grid	CC Custom Color	ECO 1% 0-10v, EldoLED (Log- arithmic dimming std)	EMC Emergency Circuit- ing
		LED3- 90 90CRI	HO High	SRL____ Symmetric Row Length	CC Cus- tom Color	CC Cus- tom Color	DOWN WASH ONLY:			WRM9** Wall Arm (No Tie Back)	X1 T-Bar (WRM9 + 36 ONLY)		ECDA 1% DALI, EldoLED (Logarithmic dimming std)	CP Chicago Plenum
		LED35- 90 90CRI	PROG Pro- gram- mable Light Out- put (Specify desired lm/ft or w/ft)	<b>NOTE:</b> Individual fixtures are not intended for row mounting	<b>NOTE:</b> All cano- pies are painted the same color as the fixture. Consult factory to specify	<b>NOTE:</b> All cano- pies are painted the same color as the fixture. Consult factory to specify	WWF Flat Wall Wash (22° Main beam)			WRM36** Wall Arm (With Tie Back)	X3 Remote Box, Hard Ceiling Flange Trim		SOLO 0.1% 0-10v, EldoLED (Dim-to-dark, Log- arithmic dimming std)	EMC Emergency Circuit- ing
		LED4- 90 90CRI	HO High				WWG Focal Glow Wash (36° Main beam)				X7 Remote Box, Mud Over Flange		SODA 0.1% DALI, EldoLED (Dim-to-dark, Log- arithmic dimming std)	CP Chicago Plenum
		LED5- 90 90CRI	PROG Pro- gram- mable Light Out- put (Specify desired lm/ft or w/ft)								DBS* Deco Surface Box, Single		STEP Signify Advance Step Dimming	<b>CONSULT FACTORY OFR CON- TROL OPTIONS</b>
											DBD* Deco Surface Box, Double			