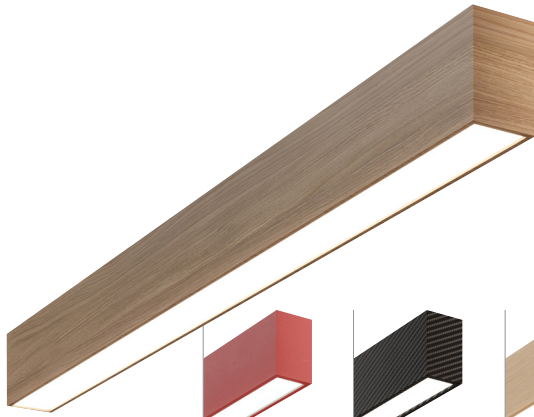


BionicPro3 | Linear

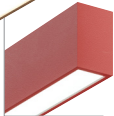


PRUDENTIAL LTG.

PRULITE.COM 213.746.0360



MEDIUM WALNUT



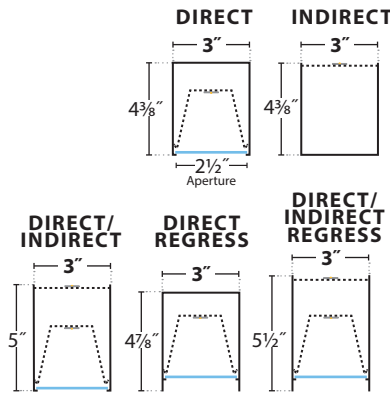
RED LEATHER



CARBON FIBER



VARA OAK



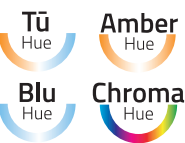
Lumen output may vary +/- 5%
 Light Loss Factor (LLF) for CCTs other than 3500K:
 4000K +2%, 3000K -5%, 2700K -20%
 90 CRI -15% (3K, 3500K, 4K & 5K
 ADC -2% LLF
 Louver LLF 30% White, 50% Silver, 70% Black

DIRECT:	LO	MO	SO	HO
SAL Lm/Ft	435	640	885	1100
BTW Lm/Ft	470	685	950	1200
WWF Lm/Ft	475	700	975	1225
WWG / PFL Lm/Ft	475	700	975	1225
NGZ Lm/Ft	525	775	1075	1200
MGZ Lm/Ft	475	700	975	1225
WGZ Lm/Ft	525	775	1075	1200
LGP Lm/Ft	475	700	975	—
W/Ft	3.8	5.6	7.8	10.5
INDIRECT:	LO	MO	SO	HO
SYM Lm/Ft	625	825	1075	1375
HCW Lm/Ft	300	450	625	775
MCW Lm/Ft	400	550	750	1000
SCW Lm/Ft	575	875	1170	1450
SACW Lm/Ft	500	750	1000	1200
W/Ft	3.8	5.6	7.8	10.5
DIRECT / INDIRECT:	LO	MO	SO	HO
W/Ft	7.6	11.2	15.6	21

LUMEN CHART AT 3500K-80 CRI
SEE PAGE 6 FOR REGRESS



TUNABLE WHITE



SE-RIES	LENS POS.	LED COLOR	OUT-PUT	LENGTH	COLOR / LAMINATE	LAM. CAN-OPY COLOR	LOUVER COLOR	DISTRIBUTION	UP OP-TIONS	CIRCU-ITING	MOUNTING	CEILING TYPE	DRIVERS	OPTIONS & SENSORS
BPRO3-LIN														
BionicPro 3" Linear	FLSH Flush Lens LVR 1/2" Regress with Louver REG.5 1/2" Regress IND Indirect Only (Select NW No Down-light)	LED27 2700K (90CRI) LED3 3000K LED35 3500K LED4 4000K LED3-90 3000K (90CRI) LED35-90 3500K (90CRI) LED4-90 4000K (90CRI) LED5-90 5000K (90CRI) PRUHUES: bios STATIC: BLU3S BLU3S BLU4S DYNAMIC: BLU3D* BLU35D* BLU4D* * Dynamic BIOS, SkyBlue spike can be dimmed, CCT warms slightly TU TuHue 2700-6500K Tunable White T2U** TuHue 2200-5000K Tunable White AMB** AmberHue Warm Dim 2200K-5000K ** NAHO CHR ChromaHue RGBW (DMX at HO only) DOWN & UP CCT IF DIFFERENT	LO Low MO Medium SO Standard HO High PROG Programmable Light Output (Specify desired lm/ft or w/ft) SRL Sym-metric Row Length (See page 12) NOTE: Individual fixtures are NOT intended for row mounting	2' 3' 4' 5' 6' 7' 8' R (Row Length, 1" increments. Consult factory for custom lengths) NOTE: For LUXE finishes, Stem and Canopy are White (TMW) unless specified otherwise. NOTE: For LUXE finishes, Stem and Canopy are White (TMW) unless specified otherwise.	TMW Textured Matte White (Standard) YGW Gloss White Y_ Premium Color CC_ Custom Color LUXE METAL-LICS: YBZ Bronze YCP Copper Penny YGN Gold Nugget NOTE: For LUXE finishes, Stem and Canopy are White (TMW) unless specified otherwise. LAMINATE FINISHES (SPECIFY CAN-OPY COLOR IN NEXT COLUMN =>) LOK Vara Oak LEW Evreux Walnut LOG Oxidized Gold LOB Oxidized Black L_ Special Order Laminated (EXTENDED LEAD TIMES) NOTE: For Laminated finishes, Stem and Canopy are White (TMW) unless specified otherwise.	(SKIP THIS COLUMN IF LAMINATE FINISH IS NOT SELECTED) TMW Textured Matte White (Standard) YGW Gloss White Y_ Premium Color CC_ Custom Color LUXE METAL-LICS: YBZ Bronze YCP Copper Penny YGN Gold Nugget NOTE: For LUXE finishes, Stem and Canopy are White (TMW) unless specified otherwise.	(SKIP THIS COLUMN IF LOUVER IS NOT SELECTED) TMW Textured Matte White (Standard) YGW Gloss White Y_ Premium Color CC_ Custom Color LUXE METAL-LICS: YBZ Bronze YCP Copper Penny YGN Gold Nugget NOTE: All canopies painted White (TMW) unless specified otherwise.	CHOOSE DOWN -AND- UP DOWN: NW No Direct SAL Satin Lens BTW Batwing WWF Flat Wall Wash WWG Focal Glow Wall Wash PFL Perimeter Room Fill NGZ Narrow Wall Graze MGZ Medium Wall Graze WGZ Wide Wall Graze LGP Low Glare Prismatic (NA HO) UP: NU No Indirect SYM Sym-metric (Frosted ADC, Standard) HCW Hard Ceiling Wash SCW Soft Ceiling Wash SACW Soft Asym-metric Ceiling Wash WMC (Channel) .75" Tall Continuous Channel WMC2 (Channel) 2" Tall Continuous Channel WMU (Bracket) .5" Tall Bracket WMU1 (Bracket) 1" Tall Bracket WMU2 (Bracket) 2" Tall Bracket WM Direct to Wall WBx.x Wall Bracket (2"-6" in .5" increments, 3" standard if not specified)	TG Top Glow ADC Acrylic Dust Cover (Clear) Standard for SYM (Frosted) DC Dual Circuit (Needed if dimming Down separately from Up) TGADC Top Glow with Acrylic Dust Cover UP OP-TIONS AVAIL-ABLE WITH ANY UP DISTRI-BUTION	SC Single Circuit (Down & Up will dim together) DC Dual Circuit (Needed if dimming Down separately from Up) VOLT-AGE UNV (120-277) 347 (Emergency battery requires remote driver box)	(SPECIFY CEILING TYPE IN NEXT COLUMN =>) CA48", 96" or 144" Aircraft Cable (Adjust-able) SURF Surface Mount (Direct only) RSC Rigid Stem Center SSC Swivel Stem Center (~45° of rotation) (SPECIFY MOUNTING LOCATION IN NEXT COLUMN =>) WMC (Channel) .75" Tall Continuous Channel WMC2 (Channel) 2" Tall Continuous Channel WMU (Bracket) .5" Tall Bracket WMU1 (Bracket) 1" Tall Bracket WMU2 (Bracket) 2" Tall Bracket WM Direct to Wall WBx.x Wall Bracket (2"-6" in .5" increments, 3" standard if not specified)	CEILING TYPE: X1 T-Bar X3 Hard Ceiling X6 Slot Grid MOUNT-ING LOCA-TION: WALL (For Wall or Mullion Mount) SUR Ceiling WALL	ND Non-Dimming DM01 0-10v, 1% Dimming (Standard) LDE1 Hi-lume 1% EcoSystem LED (Soft fade on, fade-to-black dimming) ECO 1% 0-10v, EldoLED (Logarithmic dimming std) ECDA 1% DALI, EldoLED (Logarithmic dimming std) nLight-Air Acuity nLight Drivers (ECDA driver ONLY) nLight-Wired Acuity nLight Drivers (ECO driver ONLY, Requires Remote Driver) SOLO 0.1% 0-10v, EldoLED (Dim-to-dark, Logarithmic dimming std) SODA 0.1% DALI, EldoLED (Dim-to-dark, Logarithmic dimming std) STEP Signify Advance Step Dimming 2WIRE ELV/For-ward/Reverse Phase Driver PRUHUES: E10V 2 Channel Color Control EDALI 2 Channel Color Control EDMX Chroma-Hue or Static White	EMHE CA T20 Emergency Battery (1250 Delivered lumens; CA Title 20 compliant) ETS-DR Iota ETS-DR Emergency Transfer Switch EMC Emergency Circuiting FTR Feather WTW Asym-metric on Perpendicular Wall (NA HO or LGP) EBCP1G /2G Single / Dual Gang (Electrical Box Cover Plate/ Mud Ring) COS Custom On-Center Spacing for Wall/Surface Brackets SENSORS: 205 WattStopper PIR Occupancy 205-ON/OFF 205-STEP: Dim to 50% 205-DM: Dim to 1% (NA with DALI) ATHENA Lutron RF (Dim-to-Off Standard) LVOC** Lutron Vive (Occ & RF) LVRF** Lutron Vive (RF Only) ** Requires Lutron driver NXSMP Hubble (Occ) rES7 Daylight+(PIR Acoustic) (Occ) (nLight-Air) Part Number: rES7-PDT-180D-G2 nES7 Daylight+(PIR Acoustic) (Occ) LUX Philips DLR CORNERS: C2-60 Lit 60° C2-90 Lit 90° C2-120 Lit 120° C2-135 Lit 135° C3T Lit 90° 3-Way: T C3Y Lit 120° 3-Way: Y C4T Lit 90° 4-Way: + C4X Lit 45°-135° 4-Way: X C8I Lit Inside 2-Plane C8O Lit Outside 2-Plane 90° LOUVERS AVAILABLE (CONSULT FACTORY FOR OTHER ANGLES) LRT Linear to Recessed Transition (Straight rows only) DWNLT Downlights

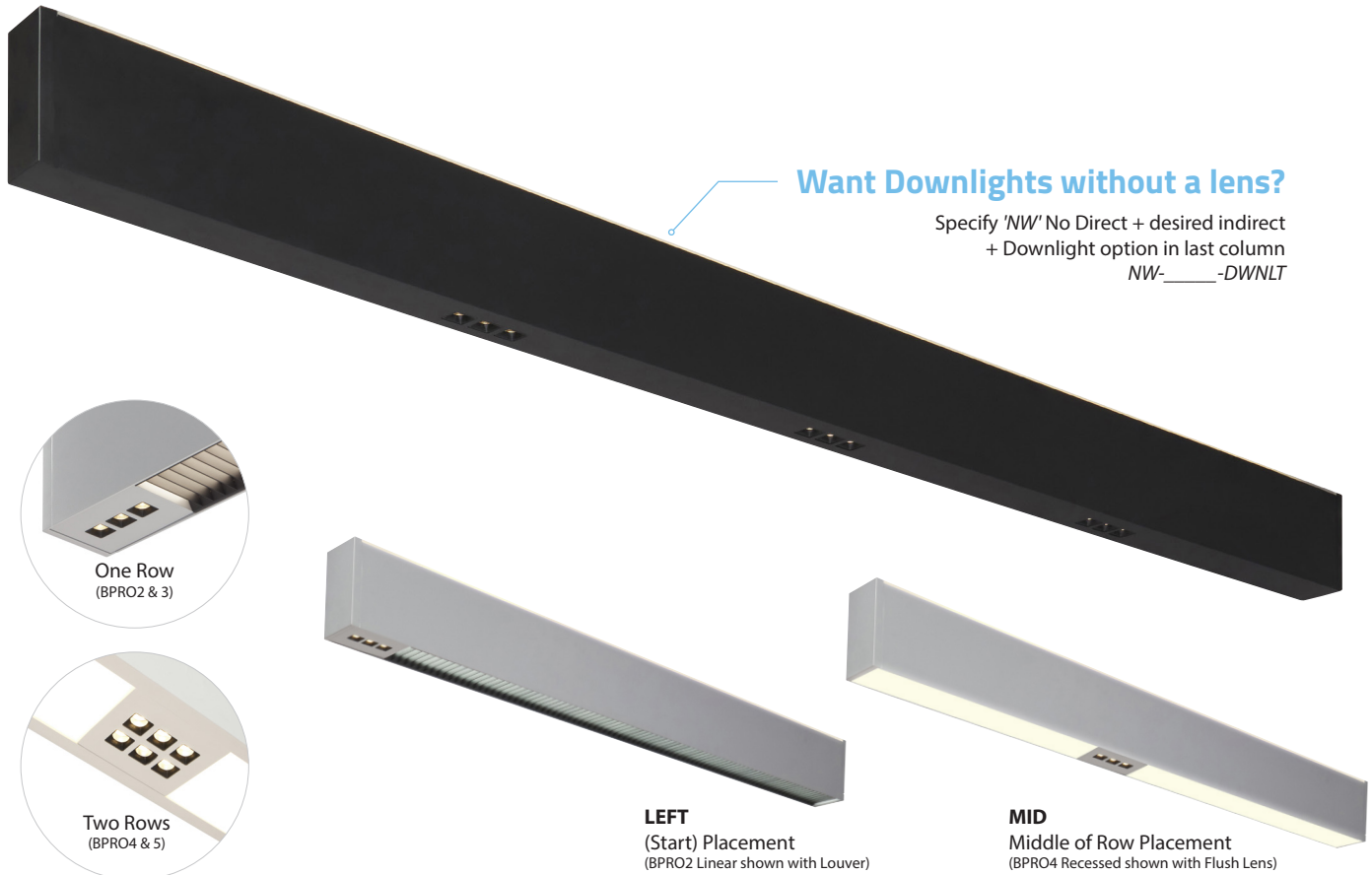
Prudential Ltg. reserves the right to change design specifications or materials without notice. Please visit prulite.com for most current data.
 © 2026 All rights reserved—All products manufactured at: Prudential Ltg. 1774 E. 21st Street, Los Angeles, CA 90058

BionicPro3 | Linear Downlights



PRUDENTIAL LTG.

PRULITE.COM 213.746.0360



Want Downlights without a lens?

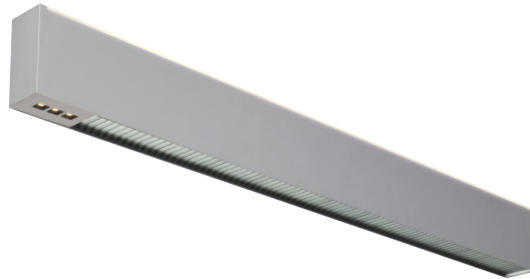
Specify 'NW' No Direct + desired indirect + Downlight option in last column
 NW-____-DWNLT



One Row (BPRO2 & 3)



Two Rows (BPRO4 & 5)



LEFT
 (Start) Placement
 (BPRO2 Linear shown with Louver)



MID
 Middle of Row Placement
 (BPRO4 Recessed shown with Flush Lens)

		NRW 20°	MED 35°	WDE 55°
1 ROW	Lm	445	425	350
	W	9	9	9
2 ROWS	Lm	500	465	425
	W	8.7	8.7	8.7

NRW 20°				MED 35°				WDE 55°			
DISTANCE	FOOTCANDLES		BEAM	DISTANCE	FOOTCANDLES		BEAM	DISTANCE	FOOTCANDLES		BEAM
	1 ROW	2 ROWS			1 ROW	2 ROWS			1 ROW	2 ROWS	
3'	251	281.5	12.7"	3'	138	144	22.8"	3'	80	67	37.5"
4'	104.7	116.7	17.0"	4'	67.3	70	30.3"	4'	40	35.7	50.0"
5'	82.3	91.7	21.1"	5'	47	49.2	37.8"	5'	27	23.7	62.5"
6'	52.9	58.5	25.4"	6'	31.5	32.7	45.4"	6'	18	16.1	75.0"
7'	29.5	32.7	29.6"	7'	17.6	18.4	53.0"	7'	10	9.1	87.5"
8'	27.6	30.53	33.8"	8'	16.05	16.9	60.5"	8'	9	8.15	100.0"
9'	25.7	28.36	38.1"	9'	14.5	15.4	68"	9'	9	7.2	112.4"

SERIES	QUANTITY	LOCATION	CCT	DISTRIBUTION	COLOR	VOLT-AGE	DRIVERS
DWN-LT							
Down-light	SPECIFY DOWNLIGHT QUANTITY PER FIXTURE/ROW Maximum One (1) Downlight Every 4' 16' Row = 4 Downlights 30' Row = 7 Downlights	MID One Downlight in Middle of Fixture LT One Downlight on Left (Start) RT One Downlight on Right (End) LT-RT Two Downlights on Ends LT-MID Two Downlights on Left and Middle MID-RT Two Downlights on Middle and End MOD Downlight Location(s) per Specs	LED3-90 3000K-90CRI (Standard) LED35-90 3500K-90CRI LED4-90 4000K-90CRI NOTES: - NA 2700K, 5000K - Only 1 Output Offered	NRW Narrow 20° Beam MED Medium 35° Beam WDE Wide 55° Beam	TMW Textured Matte White (Standard) YGW Gloss White Y_ Premium Color CC Custom Color LUXE METALLICS: YBZ Bronze YCP Copper Penny YGN Gold Nugget	UNV (120-277) 347	DM01 0-10v, 1% Dimming (Standard) LDE1 Hi-lume 1% EcoSystem LED (Soft fade on, fade-to-black dimming) ECO 1% 0-10v, EldoLED (Logarithmic dimming std) ECDA 1% DALI, EldoLED (Logarithmic dimming std) SOLO 0.1% 0-10v, EldoLED (Dim-to-dark, Logarithmic dimming std) SODA 0.1% DALI, EldoLED (Dim-to-dark, Logarithmic dimming std)



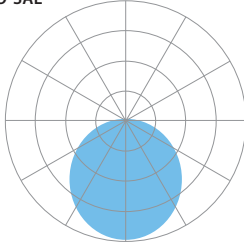
FLSH:

SATIN LENS

MEDIUM OUTPUT:

BPRO3-LIN-FLSH-LED35-MO-SAL

2566 Delivered Lumens
23 Watts
113 lm/w
3500 CCT



940

Zonal Lumen Summary:

0-90 = 100%

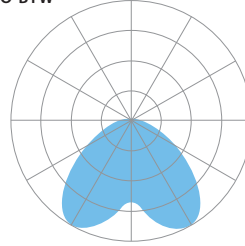
Vertical Angle	0°	25°	45°	65°	90°
0°	940	940	940	940	940
5°	933	934	930	936	938
15°	890	891	890	897	899
25°	808	810	812	823	826
35°	702	704	708	720	724
45°	580	581	585	596	602
55°	448	449	453	460	466
65°	310	311	314	319	325
75°	174	174	177	180	185
85°	45	45	48	50	52
90°	0	0	0	0	0

BATWING

MEDIUM OUTPUT:

BPRO3-LIN-FLSH-LED35-MO-BTW

2747 Delivered Lumens
23 Watts
121 lm/w
3500 CCT



1096

Zonal Lumen Summary:

0-90 = 100%

Vertical Angle	0°	25°	45°	65°	90°
0°	690	690	690	690	690
5°	734	727	705	690	684
15°	971	932	819	688	630
25°	1096	1058	910	667	541
35°	1029	1018	903	609	447
45°	796	820	787	512	365
55°	540	566	587	393	295
65°	337	352	371	273	226
75°	178	184	192	162	148
85°	49	50	54	53	53
90°	0	0	0	0	0

UGR16

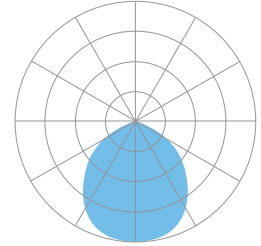
WELL Building Standard

LOW GLARE PRISMATIC

STANDARD OUTPUT:

BPRO3-LED35-SO-LGP

3508 Delivered Lumens
32 Watts
110 lm/w
3500 CCT



1918

Zonal Lumen Summary:

0-90 = 100%

Vertical Angle	0°	25°	45°	65°	90°
0°	1917	1917	1917	1917	1917
5°	1918	1906	1892	1908	1910
15°	1838	1815	1789	1784	1774
25°	1665	1632	1553	1456	1404
35°	1413	1355	1153	966	899
45°	1104	984	731	581	540
55°	751	589	414	411	319
65°	365	284	208	183	171
75°	151	121	93	86	80
85°	37	30	55	24	23
90°	0	0	0	0	0

UGR16

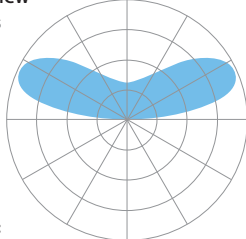
WELL Building Standard



NW - UP:

HARD CEILING WASH

STANDARD OUTPUT:
BPRO4-LED35-SO-NW-SCW
 2504 Delivered Lumens
 33 Watts
 86 lm/w
 3500 CCT



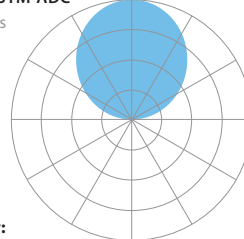
Zonal Lumen Summary:
 90-180 = 100%

958

Vertical Angle	0°	22.5°	45°	67.5°	90°
90°	0	0	0	0	0
95°	40	44	57	89	27
105°	557	564	455	243	101
115°	958	846	572	309	178
125°	900	793	558	336	241
135°	718	644	489	346	285
145°	548	507	425	347	314
155°	437	420	382	346	332
165°	376	370	356	346	342
175°	348	347	345	346	348
180°	345	345	345	345	345

SYMMETRIC

STANDARD OUTPUT:
BPRO3-LED35-SO-NW-SYM-ADC
 4472 Delivered Lumens
 33 Watts
 136 lm/w
 3500 CCT



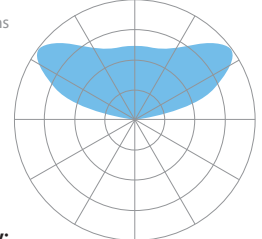
Zonal Lumen Summary:
 90-180 = 100%

1787

Vertical Angle	0°	22.5°	45°	67.5°	90°
90°	0	0	0	0	0
95°	68	68	69	69	72
105°	245	246	256	258	259
115°	490	490	496	490	495
125°	756	757	762	753	767
135°	1035	1035	1026	1037	1051
145°	1291	1291	1294	1309	1323
155°	1521	1521	1520	1534	1549
165°	1681	1681	1677	1690	1706
175°	1761	1761	1756	1770	1787
180°	1775	1775	1775	1775	1775

MEDIUM CEILING WASH

STANDARD OUTPUT:
BIOPRO-LIN-SO-MCW
 3115 Delivered Lumens
 32 Watts
 97 lm/w
 3500 CCT



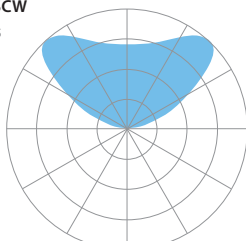
Zonal Lumen Summary:
 90-180 = 100%

1138

Vertical Angle	0°	22.5°	45°	67.5°	90°
90°	0	0	0	0	0
95°	41	45	57	33	1
105°	464	475	344	146	92
115°	852	787	495	539	204
125°	1060	916	573	256	296
135°	973	843	601	469	442
145°	811	739	1138	544	530
155°	709	683	619	600	598
165°	667	657	642	635	640
175°	659	657	655	653	656
180°	664	664	664	664	664

SOFT CEILING WASH

STANDARD OUTPUT:
BPRO3-LED35-SO-NW-SCW
 4639 Delivered Lumens
 33 Watts
 143 lm/w
 3500 CCT



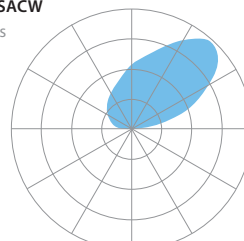
Zonal Lumen Summary:
 90-180 = 100%

1584

Vertical Angle	0°	22.5°	45°	67.5°	90°
90°	0	0	0	0	0
95°	102	123	161	136	48
105°	367	409	463	344	198
115°	755	804	824	539	369
125°	1270	1283	1117	701	539
135°	1584	1492	1179	823	700
145°	1484	1381	1138	921	851
155°	1279	1220	1102	1005	978
165°	1149	1130	1094	1074	1073
175°	1114	1111	1106	1114	1123
180°	1117	1117	1117	1117	1117

SOFT ASYMMETRIC CEILING WASH

STANDARD OUTPUT:
BPRO3-LED35-SO-NW-SACW
 4073 Delivered Lumens
 33 Watts
 125 lm/w
 3500 CCT



Zonal Lumen Summary:
 90-180 = 100%

2106

Vertical Angle	0°	22.5°	45°	67.5°	90°
90°	0	0	0	0	0
95°	341	366	345	222	46
105°	939	946	853	503	174
115°	1475	1458	1268	697	320
125°	1906	1856	1504	848	463
135°	2106	1962	1499	946	599
145°	1906	1745	1373	1011	724
155°	1544	1443	1245	1046	828
165°	1268	1230	1149	1074	1073
175°	1069	1048	1018	985	945
180°	936	936	936	936	936



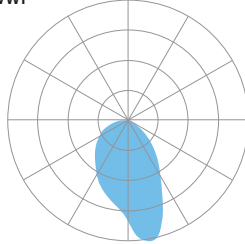
FLSH:

FLAT WALL WASH

Standard Output:

BPRO3-FLSH-LED35-LO-4-WWF

1923 Delivered Lumens
15.40 Watts
125 lm/w
3500 CCT



Zonal Lumen Summary:
0-90 = 100%

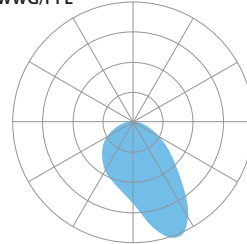
WALL SIDE	Vertical Angle	0°	25°	45°	65°	90°
	90°	0	0	0	0	0
85°	20	20	24	26	26	
75°	69	72	88	92	88	
65°	134	141	178	191	174	
55°	227	244	309	363	323	
45°	371	398	490	613	500	
35°	577	612	748	862	636	
25°	890	936	1056	994	732	
15°	1224	1221	1154	977	797	
5°	994	982	934	883	831	
0°	834	834	834	834	1714	
ROOM SIDE	5°	742	747	758	788	831
	15°	649	654	666	705	797
	25°	538	551	580	625	732
	35°	422	432	463	525	636
	45°	329	336	353	399	500
	55°	243	245	250	264	323
	65°	169	165	159	155	174
	75°	97	95	87	81	88
	85°	24	26	24	24	26
	90°	0	0	0	0	0
Vertical Angle	180°	202.5°	225°	247.5°	270°	

FOCAL GLOW WALL WASH / PERIMETER FILL

Low Output:

BPRO3-FLSH-LED35-LO-4-WWF/PFL

1901 Delivered Lumens
15 Watts
126 lm/w
3500 CCT



Zonal Lumen Summary:
0-90 = 100%

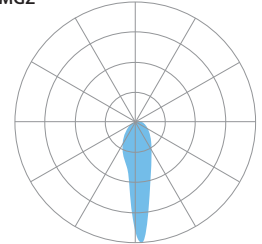
WALL SIDE	Vertical Angle	0°	25°	45°	65°	90°
	90°	0	0	0	0	0
85°	22	22	27	29	30	
75°	75	80	103	104	95	
65°	155	169	226	211	162	
55°	284	312	423	374	249	
45°	494	546	678	555	359	
35°	827	868	885	691	475	
25°	1059	1039	940	767	584	
15°	992	971	893	788	669	
5°	818	815	786	754	715	
0°	720	720	720	720	720	
ROOM SIDE	5°	626	635	647	677	715
	15°	523	528	540	582	669
	25°	466	470	474	496	584
	35°	408	409	411	417	475
	45°	351	348	341	335	359
	55°	285	281	263	244	249
	65°	210	203	180	159	162
	75°	121	120	101	90	95
	85°	33	35	30	28	30
	90°	0	0	0	0	0
Vertical Angle	180°	202.5°	225°	247.5°	270°	

MEDIUM WALL GRAZER

LOW OUTPUT:

BPRO3-FLSH-LED35-LO-4-MGZ

1930 Delivered Lumens
15 Watts
128 lm/w
4000 CCT



Zonal Lumen Summary:
0-90 = 100%

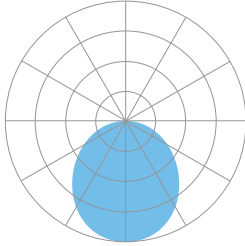
WALL SIDE	Vertical Angle	0°	25°	45°	65°	90°
	90°	0	0	0	0	0
85°	24	22	21	23	26	
75°	81	76	75	84	90	
65°	138	133	140	170	183	
55°	200	199	222	304	369	
45°	276	281	320	474	696	
35°	373	384	437	680	1139	
25°	498	515	600	994	1600	
15°	729	765	968	1542	1929	
5°	1756	1771	1925	2097	2076	
0°	2086	2086	2086	2086	2086	
ROOM SIDE	5°	1384	1476	1615	1858	2076
	15°	642	677	806	1229	1929
	25°	475	491	550	813	1600
	35°	363	379	418	585	1139
	45°	263	276	315	426	696
	55°	187	194	219	284	369
	65°	132	129	140	165	183
	75°	82	78	75	83	90
	85°	23	25	22	24	26
	90°	0	0	0	0	0
Vertical Angle	180°	202.5°	225°	247.5°	270°	



REG.5:

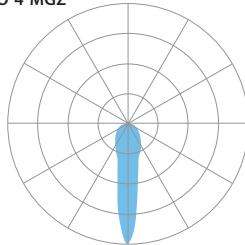
SATIN LENS

STANDARD OUTPUT:
BPRO3-LIN-REG.5-LED35-SO-SAL
 3342 Delivered Lumens
 31 Watts
 109 Lm/W
 3500 CCT



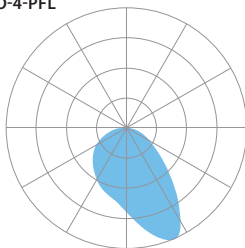
MEDIUM WALL GRAZER

STANDARD OUTPUT:
BPRO3-LIN-REG.5-LED35-SO-4-MGZ
 3705 Delivered Lumens
 31 Watts
 120 Lm/W
 3500 CCT
 16° FWHM



PERIMETER FILL

STANDARD OUTPUT:
BPRO3-LIN-REG.5-LED35-SO-4-PFL
 3591 Delivered Lumens
 33 Watts
 117 Lm/W
 3500 CCT



UPTO 120 LPW					
REG.5:		LO	MO	SO	HO
SAL	Lm/Ft	425	625	840	1100
BTW	Lm/Ft	435	640	885	1115
WWF	Lm/Ft	450	670	900	1175
WWG/PFL	Lm/Ft	450	670	900	1175
MGZ	Lm/Ft	460	685	925	1200
	W/Ft	4	6	8	10.5
LUMEN CHART AT 3500K-80 CRI					

Consult factory for Louver IES: marketing@prulite.com

LUMEN MAINTENANCE

- L70** — 200,000+ Hours
- L90** — 100,000+ Hours (LO, MO & SO)
- L90** — 60,000+ Hours (HO)

LED SYSTEM

LED modules and drivers are field replaceable.

PROG (OPTIONAL)

Programmable light output. Specify desired lumens or watts per linear foot.

LABELS

CSA and ETL damp labeled and I.B.E.W. manufactured.

ELECTRICAL

Must specify LED dimming controls. LED fixtures have constant current driver(s) with less than 20% THD when loaded to a minimum of 60%. Drivers sink a maximum of 6mA per driver. DM01 LED drivers are 0-10V dimmable and are compatible with most 0-10V wall slide dimmers and direct 0-10V analog signal dimmers. Max driver size 1.65" w x 1.25" h.

CONSTRUCTION

- Housing** Extruded aluminum housing and side wall >25% PC recycled, 100% recyclable.
- Lens** Seamless lens up to 200'. Consult factory for longer lengths. Polymer, 100% recyclable.
- Weight** 3.5 lbs/ft

MOUNTING

Surface mounted to walls or ceilings, wall spacer, wall bracket to wall, suspended by cable.

WARRANTY

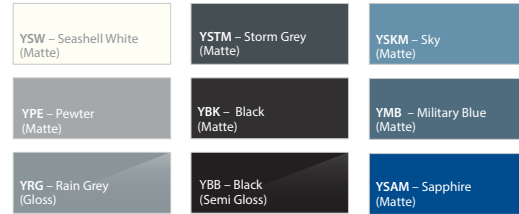
Single-source, 5 year limited warranty covers standard components and construction.

FINISH COLORS

STANDARD:



PREMIUM:



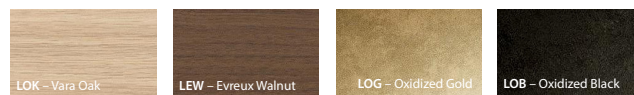
LUXE METALLICS:



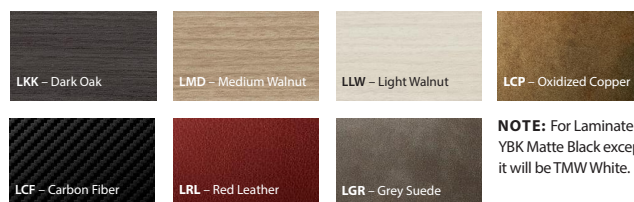
LAMINATE FINISHES:

Choose from one of our Premium Colors with no set-up fee. For paint chip samples, please email: info@prulite.com

STANDARD:



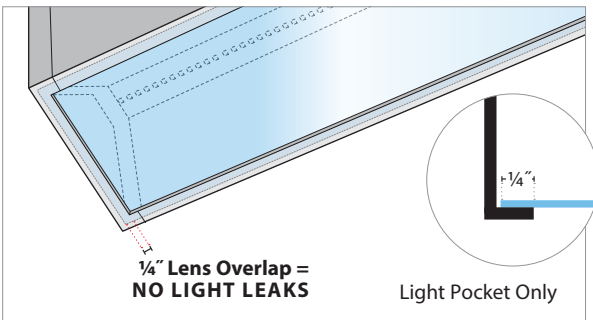
SPECIAL ORDER (EXTENDED LEAD TIMES):



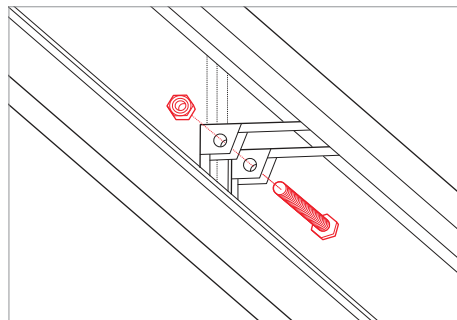
NOTE: For Laminate finishes Stem is YBK Matte Black except for LOK and LLW it will be TMW White.



CAST ALUMINUM END CAPS

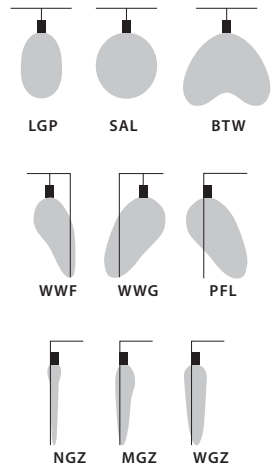


ADJOINING DETAILS

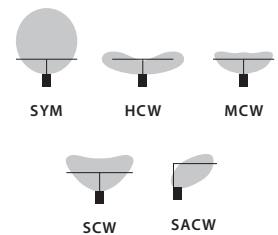


DISTRIBUTIONS

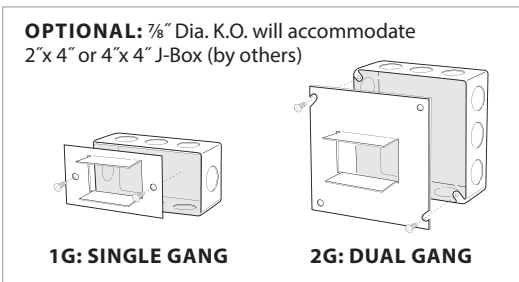
DOWN:



UP:



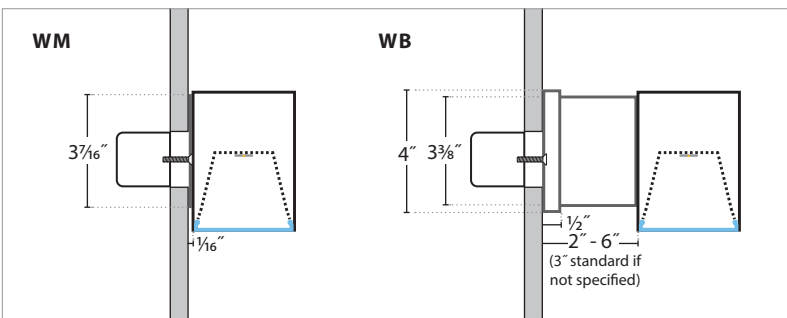
EBCP — ELECTRICAL BOX COVER PLATE



CANOPY DETAIL



WALL CROSS SECTIONS



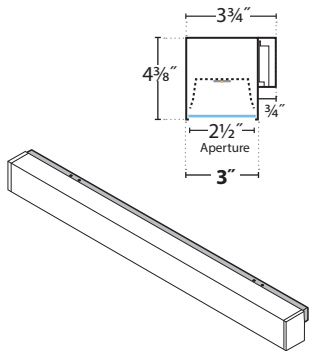
FIXTURE SIZE VARIES



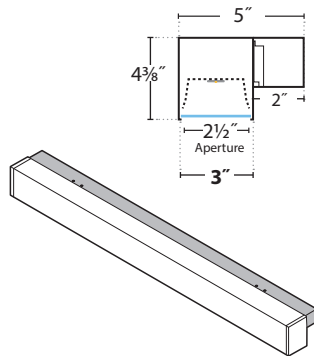
Why Channels?

Channels provide maximum flexibility in mounting points on the ceiling/wall (drilled in the field into structure).
 2 mounting points per channel required, all channels are the length of the fixture. .75" Channel accommodates SOOW cord (8 foot, 6 conductor cord), 2" Channel accommodates liquitite Flex with sealed connectors (6' long 6' conductor cord).

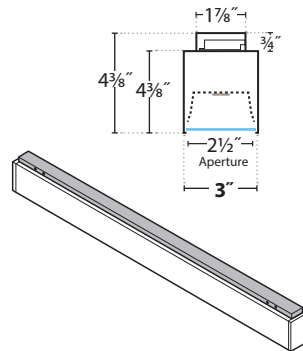
WMC — WALL



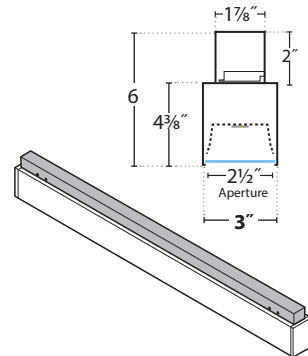
WMC2 — WALL



WMC — SURFACE



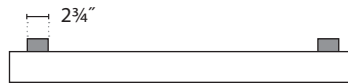
WMC2 — SURFACE



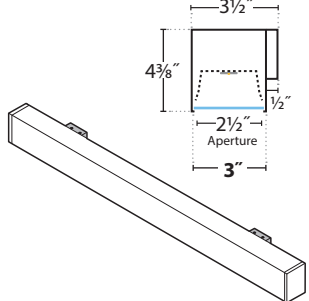
Why Brackets?

Clean look. Two options.

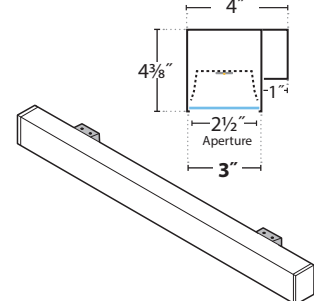
1. Installed at our standard dimensions.
2. COS (Custom on-center spacing) — Provide dimensions and our factory will install bracket cleats at provided dimensions.



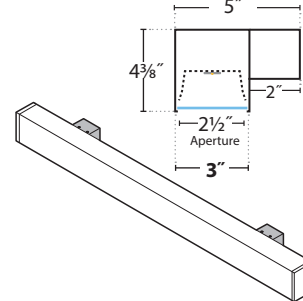
WMU — WALL



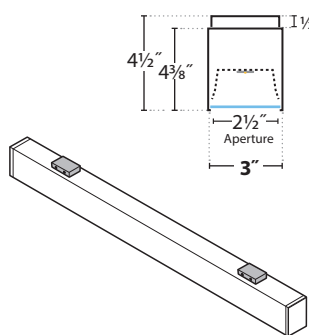
WMU1 — WALL



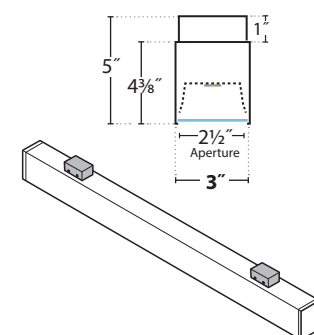
WMU2 — WALL



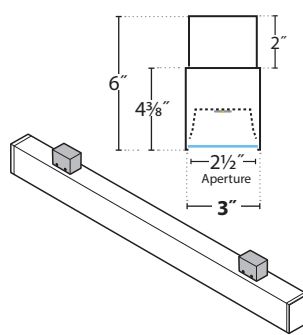
WMU — SURFACE



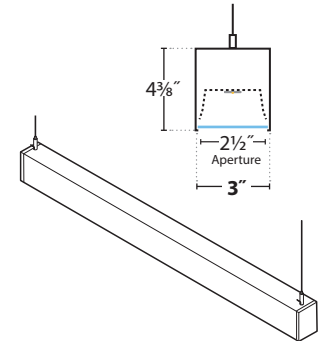
WMU1 — SURFACE



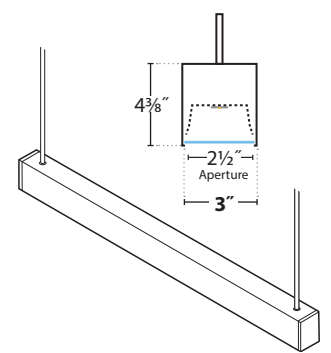
WMU2 — SURFACE



CA — CABLE MOUNT



R/SSC — STEM MOUNT

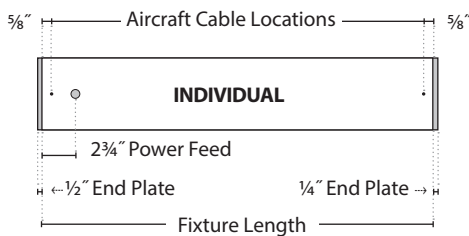
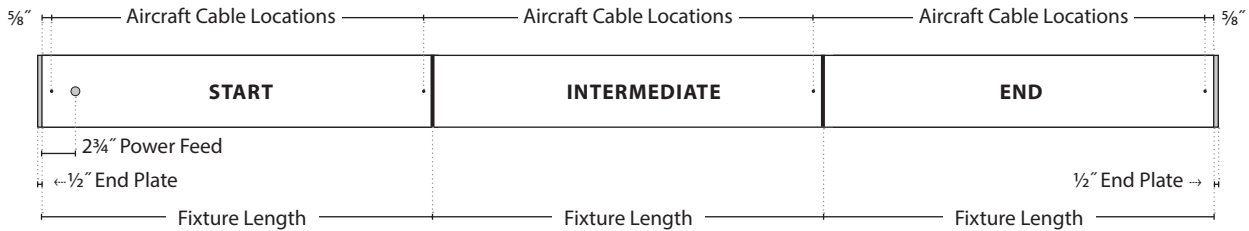




CABLE (CA) — MOUNTING

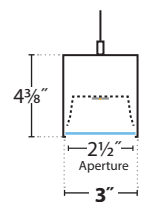
NOTE: 2' ROW FIXTURES NOT AVAILABLE

○ POWER FEED

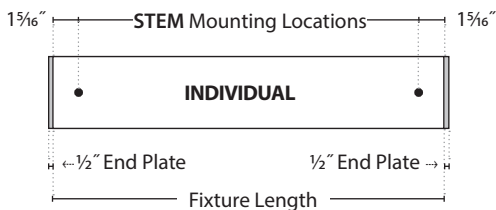
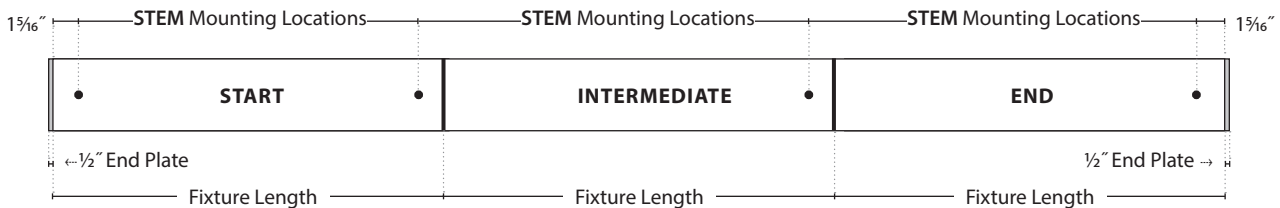


	AIRCRAFT CABLE LOCATIONS		
	All	Start / Individual	Intermediate / End
2'	24"	22 ³ / ₄ "	24"
3'	36"	34 ³ / ₄ "	36"
4'	48"	46 ³ / ₄ "	48"
5'	60"	58 ³ / ₄ "	60"
6'	72"	70 ³ / ₄ "	72"
7'	84"	82 ³ / ₄ "	84"
8'	96"	94 ³ / ₄ "	96"

CA — CABLE

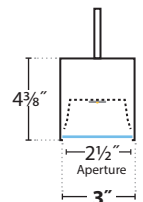


STEM (RSC/SSC) — MOUNTING



	AIRCRAFT CABLE LOCATIONS		
	All	Start / Individual	Intermediate / End
2'	24"	21 ³ / ₄ "	24"
3'	36"	33 ³ / ₄ "	36"
4'	48"	45 ³ / ₄ "	48"
5'	60"	57 ³ / ₄ "	60"
6'	72"	69 ³ / ₄ "	72"
7'	84"	81 ³ / ₄ "	84"
8'	96"	93 ³ / ₄ "	96"

R/SSC — STEM

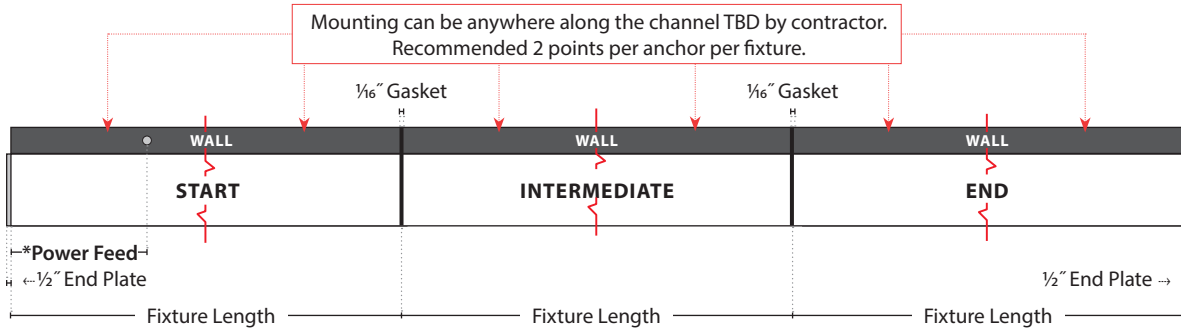




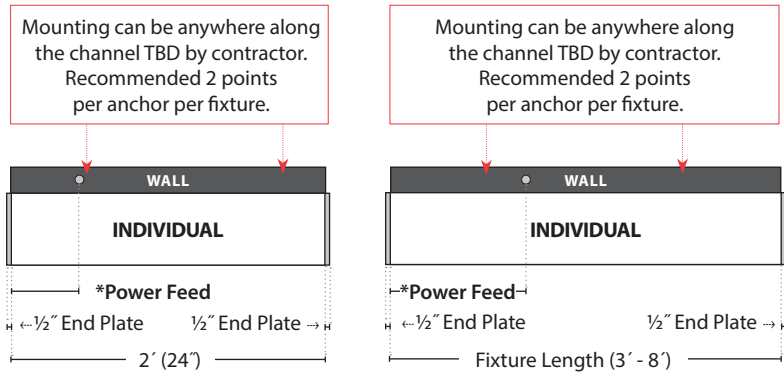
WMC/WMC2 (CHANNELS): WALL — MOUNTING

NOTE: 2' ROW FIXTURES NOT AVAILABLE

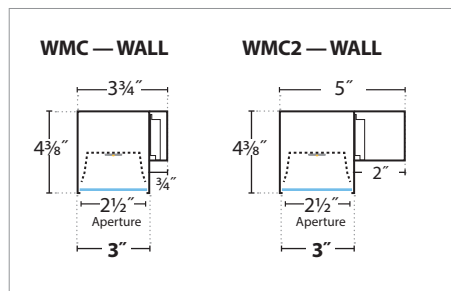
○ POWER FEED



INDIVIDUAL (2'):



	FIXTURE LENGTHS	
	*Power Feed	All
2'	4"	24"
3'	10"	36"
4'	10"	48"
5'	10"	60"
6'	36"	72"
7'	42"	84"
8'	48"	96"

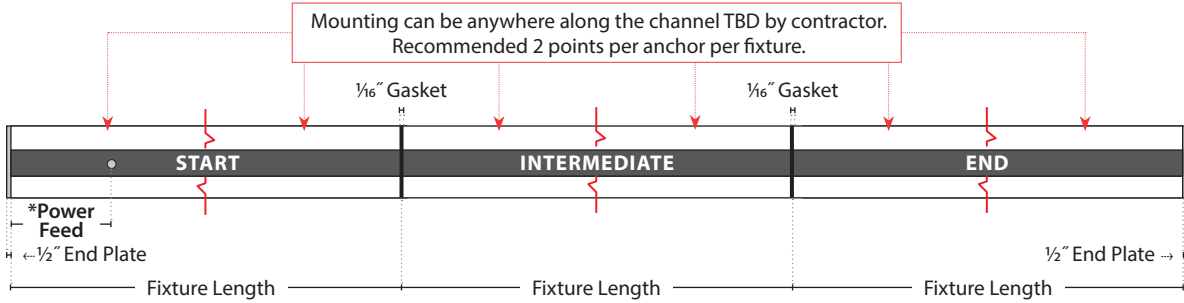




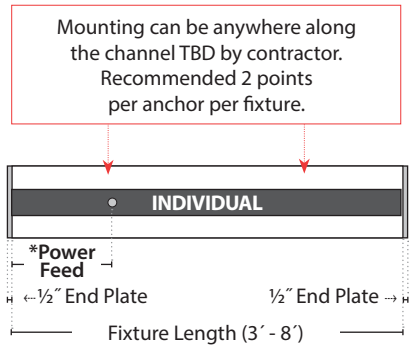
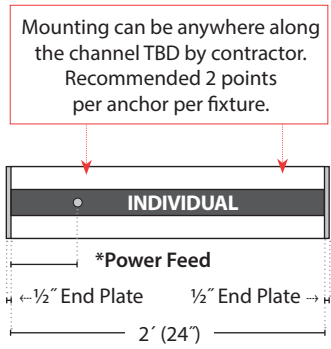
WMC/WMC2 (CHANNELS): SURFACE — MOUNTING

NOTE: 2' ROW FIXTURES NOT AVAILABLE

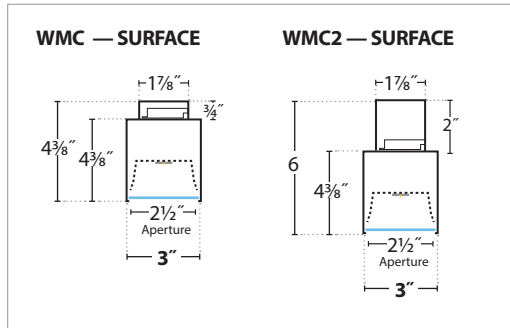
○ POWER FEED



INDIVIDUAL (2')



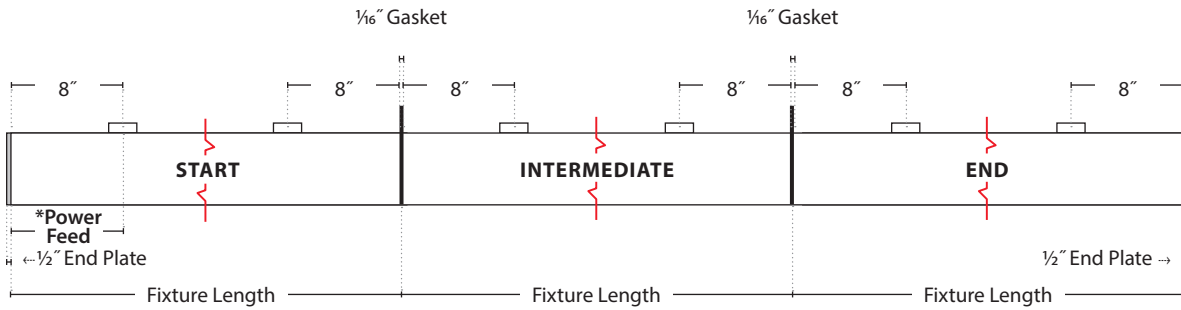
	FIXTURE LENGTHS	
	*Power Feed	All
2'	4"	24"
3'	6"	36"
4'	6"	48"
5'	6"	60"
6'	36"	72"
7'	42"	84"
8'	48"	96"



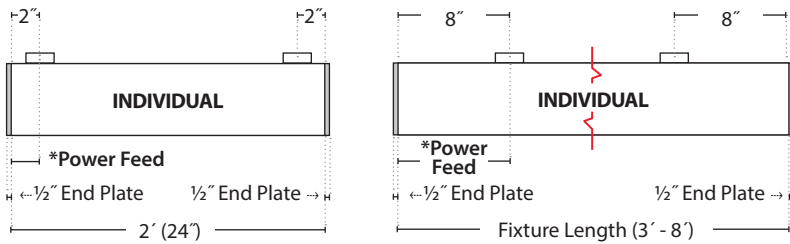


WMU/WMU1/WMU2 (BRACKETS): WALL — MOUNTING

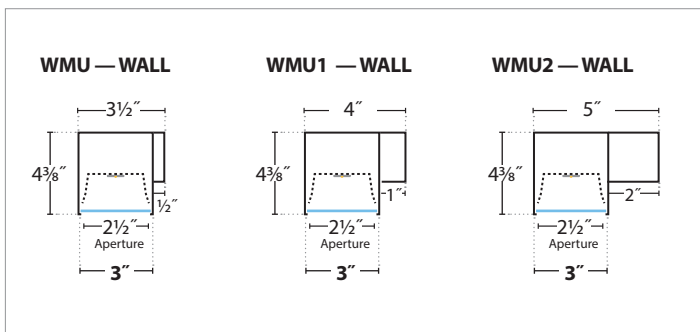
NOTE: 2' ROW FIXTURES NOT AVAILABLE



INDIVIDUAL (2'):



	FIXTURE LENGTHS		MOUNTING LOCATIONS		COS (Custom On-Center Spacing)
	*Power Feed	All	Start / Intermediate / End	Individual	
2'	2"	24"	—	20"	Customer to provide on-center mounting dimensions, PRU will pre-drill and mount Brackets
3'	8"	36"	20"	20"	
4'	8"	48"	32"	32"	
5'	8"	60"	44"	44"	
6'	8"	72"	56"	56"	
7'	8"	84"	68"	68"	
8'	8"	96"	80"	80"	

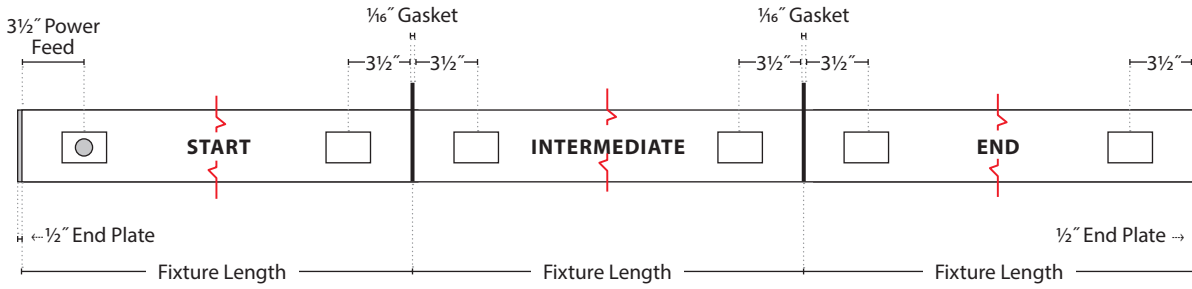




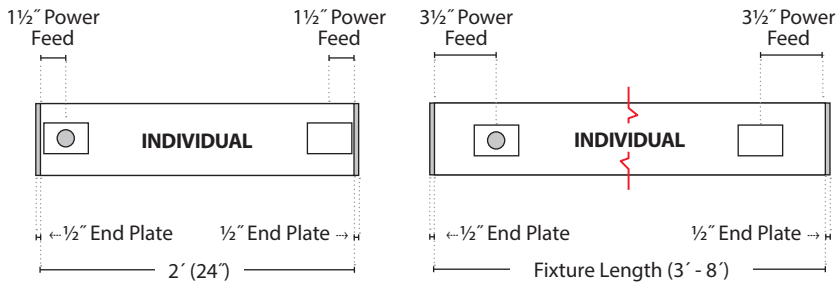
WMU/WMU1/WMU2 (BRACKETS): SURFACE — MOUNTING

NOTE: 2' ROW FIXTURES NOT AVAILABLE

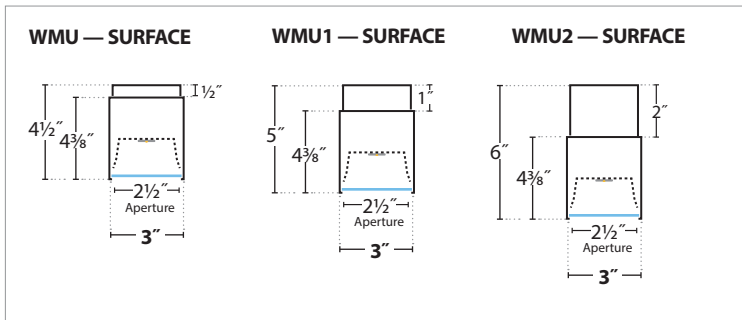
○ POWER FEED



INDIVIDUAL (2'):



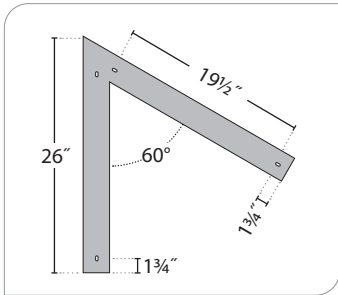
FIXTURE LENGTHS	MOUNTING LOCATIONS			COS (Custom On-Center Spacing)
	All	Start / Intermediate / End	Individual	
2'	24"	—	21"	Customer to provide on-center mounting dimensions, PRU will pre-drill and mount Brackets
3'	36"	29"	29"	
4'	48"	41"	41"	
5'	60"	53"	53"	
6'	72"	65"	65"	
7'	84"	77"	77"	
8'	96"	89"	89"	



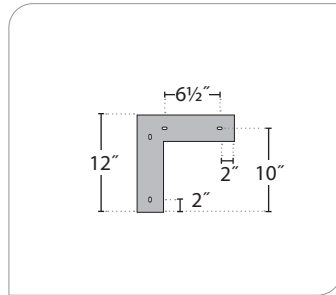


CORNERS

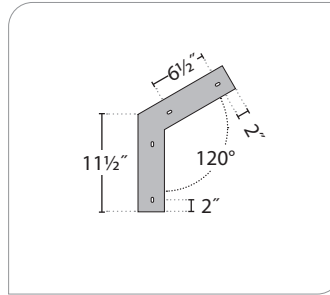
C2-60:



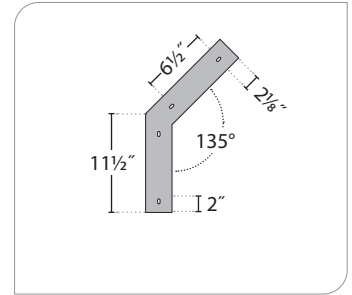
C2-90:



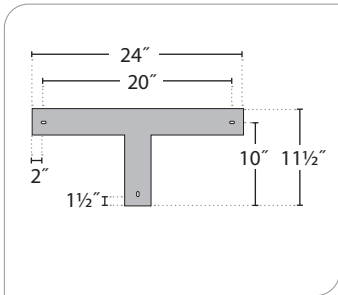
C2-120:



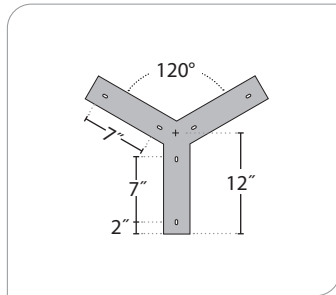
C2-135:



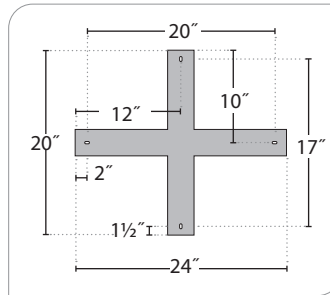
C3T:



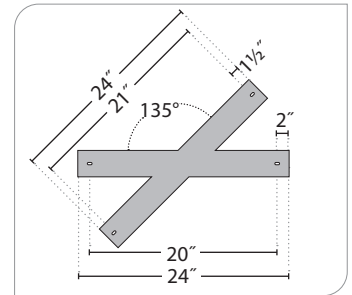
C3Y:



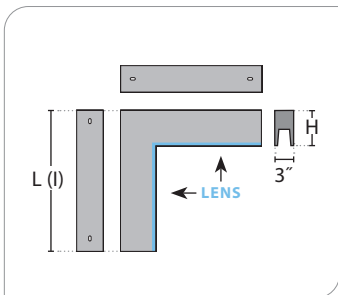
C4T:



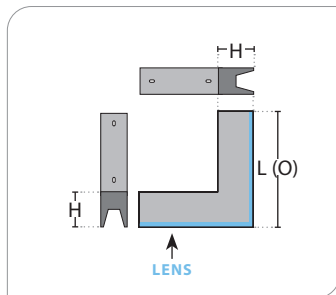
C4X:



C8I:



C8O:



BODY TYPE	DIM "H"	DIM "L" (I)	DIM "L" (O)
Direct Flush	4 3/8"	16 3/8"	12"
Direct Regress	4 7/8"	16 3/8"	12 1/2"
Direct/Indirect Flush	5"	17"	12"
Direct/Indirect Regress	5 1/2"	17"	12 1/2"

SENSOR PLATE

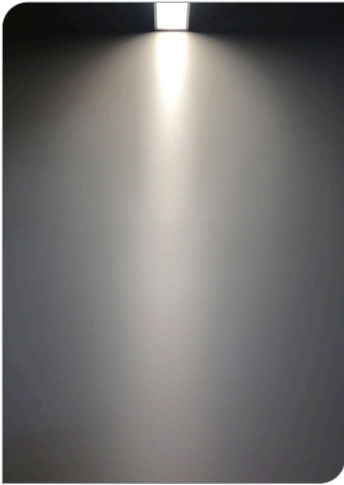


LOUVER DETAIL



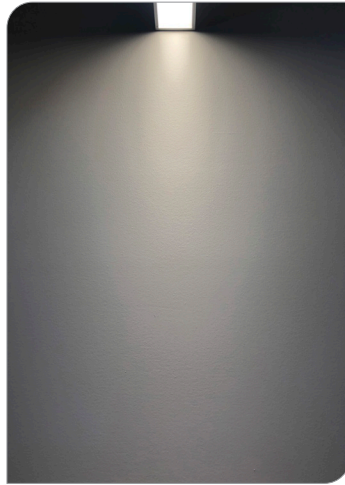


FTR END OF ROW FEATHERING



Wall to wall (WTW) fixtures can project strong lighting distributions on perpendicular wall which some find undesirable.

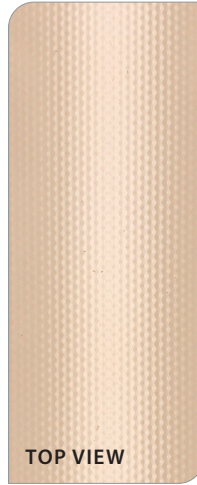
Medium Wall Graze (MGZ) shown above.



Feather (FTR) softens distributions on perpendicular walls.

Medium Wall Graze (MGZ) shown above with FTR.

LGP LOW GLARE PRISMATIC LENS

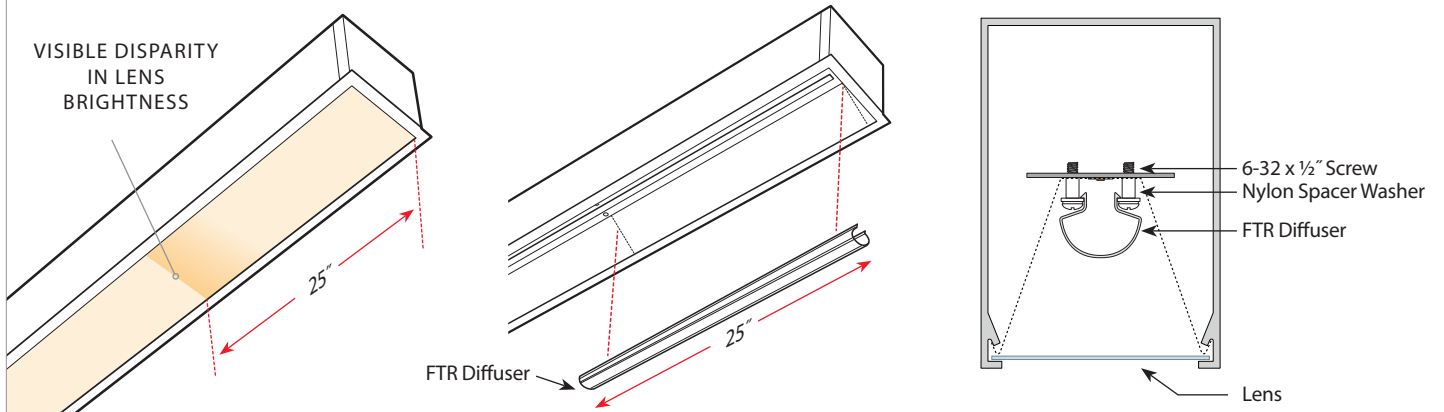


WELL OPTION 1 B,
FIXTURE UGR 16 OR LESS

Low Glare Prismatic lens has a dynamic 'prismatic stripe' that 'follows the viewer' and offers a sense of depth. The narrow distribution has low glare (UGR) and meets WELL UGR of 16 or lower. It utilizes the FTR Diffuser (see below).

NOTE: Our Batwing lens also meets WELL UGR of 16 or less (BioPro 3-4-5)

FTR (FEATHERING DIFFUSER) DETAIL

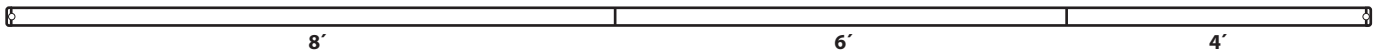


NOTE: Using FTR creates a visible disparity in lens brightness when viewed from directly below. FTR is NOT available dual-sided on two corners 5' or less.

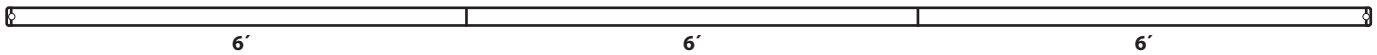


ROW BUILDER

18' STANDARD ROW LENGTH:



18' SYMMETRIC ROW LENGTH (SRL):



STANDARD

ROW LENGTH		
9'	5+4	5FT STR + 4FT END
10'	6+4	6FT STR + 4FT END
11'	7+4	7FT STR + 4FT END
12'	8+4	8FT STR + 4FT END
13'	8+5	8FT STR + 5FT END
14'	8+6	8FT STR + 6FT END
15'	8+7	8FT STR + 7FT END
16'	8+8	8FT STR + 8FT END
17'	8+5+4	8FT STR + 5FT INT + 4FT END
18'	8+6+4	8FT STR + 6FT INT + 4FT END
19'	8+7+4	8FT STR + 7FT INT + 4FT END
20'	8+8+4	8FT STR + 8FT INT + 4FT END
21'	8+8+5	8FT STR + 8FT INT + 5FT END
22'	8+8+6	8FT STR + 8FT INT + 6FT END
23'	8+8+7	8FT STR + 8FT INT + 7FT END
24'	8+8+8	8FT STR + 8FT INT + 8FT END
25'	8+8+5+4	8FT STR + 8FT INT + 5FT INT + 4FT END
26'	8+8+6+4	8FT STR + 8FT INT + 6FT INT + 4FT END
27'	8+8+7+4	8FT STR + 8FT INT + 7FT INT + 4FT END
28'	8+8+8+4	8FT STR + (2) 8FT INT + 4FT END
29'	8+8+8+5	8FT STR + (2) 8FT INT + 5FT END
30'	8+8+8+6	8FT STR + (2) 8FT INT + 6FT END
31'	8+8+8+7	8FT STR + (2) 8FT INT + 7FT END
32'	8+8+8+8	8FT STR + (2) 8FT INT + 8FT END
33'	8+8+8+5+4	8FT STR + (2) 8FT INT + 5FT INT + 4FT END
34'	8+8+8+6+4	8FT STR + (2) 8FT INT + 6FT INT + 4FT END
35'	8+8+8+7+4	8FT STR + (2) 8FT INT + 7FT INT + 4FT END
36'	8+8+8+8+4	8FT STR + (3) 8FT INT + 4FT END
37'	8+8+8+8+5	8FT STR + (3) 8FT INT + 5FT END
38'	8+8+8+8+6	8FT STR + (3) 8FT INT + 6FT END
39'	8+8+8+8+7	8FT STR + (3) 8FT INT + 7FT END
40'	8+8+8+8+8	8FT STR + (3) 8FT INT + 8FT END
41'	8+8+8+8+5+4	8FT STR + (3) 8FT INT + 5FT INT + 4FT END
42'	8+8+8+8+6+4	8FT STR + (3) 8FT INT + 6FT INT + 4FT END
43'	8+8+8+8+7+4	8FT STR + (3) 8FT INT + 7FT INT + 4FT END
44'	8+8+8+8+8+4	8FT STR + (4) 8FT INT + 4FT END
45'	8+8+8+8+8+5	8FT STR + (4) 8FT INT + 5FT END
46'	8+8+8+8+8+6	8FT STR + (4) 8FT INT + 6FT END
47'	8+8+8+8+8+7	8FT STR + (4) 8FT INT + 7FT END
48'	8+8+8+8+8+8	8FT STR + (4) 8FT INT + 8FT END
49'	8+8+8+8+8+5+4	8FT STR + (4) 8FT INT + 5FT INT + 4FT END
50'	8+8+8+8+8+6+4	8FT STR + (4) 8FT INT + 6FT INT + 4FT END

SYMMETRICAL

ROW LENGTH		
9'	3+3+3	3FT STR + 3FT INT + 3FT END
10'	5+5	5FT STR + 5FT END
11'	4+3+4	4FT STR + 3FT INT + 4FT END
12'	6+6	6FT STR + 6FT END
13'	4+5+4	4FT STR + 5FT INT + 4FT END
14'	7+7	7FT STR + 7FT END
15'	5+5+5	5FT STR + 5FT INT + 5FT END
16'	8+8	8FT STR + 8FT END
17'	6+5+6	6FT STR + 5FT INT + 6FT END
18'	6+6+6	6FT STR + 6FT INT + 6FT END
19'	6+7+6	6FT STR + 7FT INT + 6FT END
20'	8+4+8	8FT STR + 4FT INT + 8FT END
21'	8+5+8	8FT STR + 5FT INT + 8FT END
22'	8+6+8	8FT STR + 6FT INT + 8FT END
23'	8+7+8	8FT STR + 7FT INT + 8FT END
24'	8+8+8	8FT STR + 8FT INT + 8FT END
25'	6+4+5+4+6	6FT STR + 4FT INT + 5FT INT + 4FT INT + 6FT END
26'	8+5+5+8	8FT STR + (2) 5FT INT + 8FT END
27'	6+5+5+5+6	6FT STR + (3) 5FT INT + 6FT END
28'	8+6+6+8	8FT STR + (2) 6FT INT + 8FT END
29'	8+4+5+4+8	8FT STR + 4FT INT + 5FT INT + 4FT INT + 8FT END
30'	8+7+7+8	8FT STR + (2) 7FT INT + 8FT END
31'	8+5+5+5+8	8FT STR + (3) 5FT INT + 8FT END
32'	8+8+8+8	8FT STR + (2) 8FT INT + 8FT END
33'	8+6+5+6+8	8FT STR + 6FT INT + 5FT INT + 6FT INT + 8FT END
34'	8+6+6+6+8	8FT STR + 6FT INT + 6FT INT + 6FT INT + 8FT END
35'	8+6+7+6+8	8FT STR + 6FT INT + 7FT INT + 6FT INT + 8FT END
36'	8+8+4+8+8	8FT STR + 8FT INT + 4FT INT + 8FT INT + 8FT END
37'	8+8+5+8+8	8FT STR + 8FT INT + 5FT INT + 8FT INT + 8FT END
38'	8+8+6+8+8	8FT STR + 8FT INT + 6FT INT + 8FT INT + 8FT END
39'	8+8+7+8+8	8FT STR + 8FT INT + 7FT INT + 8FT INT + 8FT END
40'	8+8+8+8+8	8FT STR + (3) 8FT INT + 8FT END
41'	8+6+4+5+4+6+8	8FT STR + 6FT INT + 4FT INT + 5FT INT + 4FT INT + 6FT INT + 8FT END
42'	8+8+5+5+8+8	8FT STR + 8FT INT + (2) 5FT INT + 8FT INT + 8FT END
43'	8+6+5+5+5+6+8	8FT STR + 6FT INT + (3) 5FT INT + 6FT INT + 8FT END
44'	8+8+6+6+8+8	8FT STR + 8FT INT + (2) 6FT INT + 8FT INT + 8FT END
45'	8+8+4+5+4+8+8	8FT STR + 8FT INT + 4FT INT + 5FT INT + 4FT INT + 8FT INT + 8FT END
46'	8+8+7+7+8+8	8FT STR + 8FT INT + (2) 7FT INT + 8FT INT + 8FT END
47'	8+8+5+5+5+8+8	8FT STR + 8FT INT + (3) 5FT INT + 8FT INT + 8FT END
48'	8+8+8+8+8+8	8FT STR + (4) 8FT INT + 8FT END
49'	8+8+6+5+6+8+8	8FT STR + 8FT INT + 6FT INT + 5FT INT + 6FT INT + 8FT INT + 8FT END
50'	8+8+6+6+6+8+8	8FT STR + 8FT INT + (3) 6FT INT + 8FT INT + 8FT END



BionicPro3 Batwing Vs. Top 3" Competitor (Satin Lens)

SINGLE OFFICE

BionicPro3

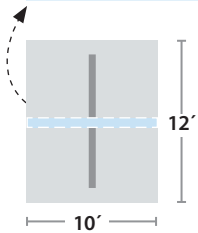


Top Competitor



36 43 46 44 39 | 39 44 47 43 37

22 28 36 44 52 | 52 44 36 28 22



	BionicPro3	Competitor
LPW	121	111
SPACING CRITERIA	1.8	1.3
MAX/MIN	1.8	2.6
W/SQ. FT.	.38	.43
FC AVERAGE	26	30

9' ceiling .85 l/f BionicPro3—5.7w/ft Competitor—6.5w/ft Footcandles at 30" working plane

OPEN OFFICE

BionicPro3

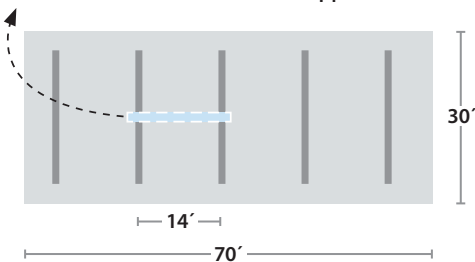


Top Competitor



39 43 47 47 44 39 36 35 36 40 44 47 47 43 39

74 68 58 47 38 32 28 27 28 32 38 47 58 68 74



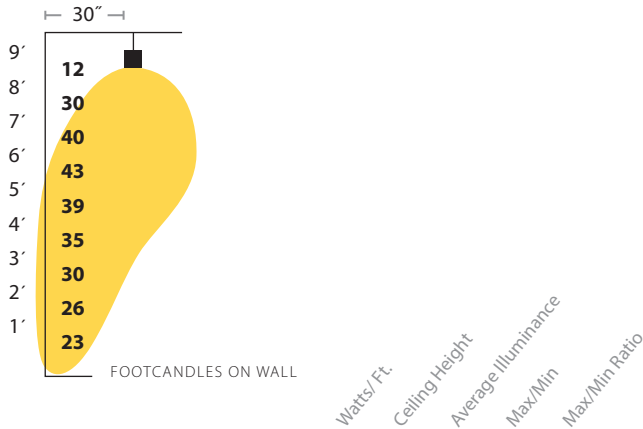
	BionicPro3	Competitor
LPW	121	111
SPACING CRITERIA	1.85	1.3
MAX/MIN	2.2	4.4
MAX/MIN BETWEEN ROWS	1.3	2.8
W/SQ. FT.	.37	.41
FC AVERAGE	35	37

9' ceiling .85 l/f BionicPro3—5.7w/ft Competitor—6.5w/ft Footcandles at 30" working plane



Smooth, Flat Wall Washing (WWF)

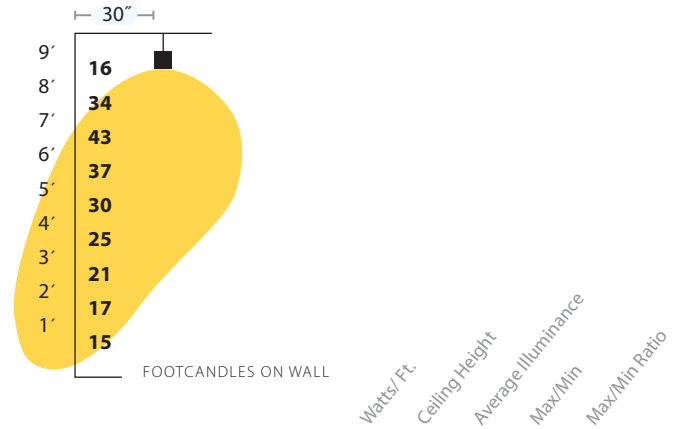
Our patent-pending TruBeam™ optics redirect light in an ideal flat wall wash for smooth, even illumination.



Medium Output 700 lumens/ft	6	9'	31 fc	43/12	3.6
--------------------------------------	---	----	--------------	-------	-----

Focal Glow Wall Washing (WWG)

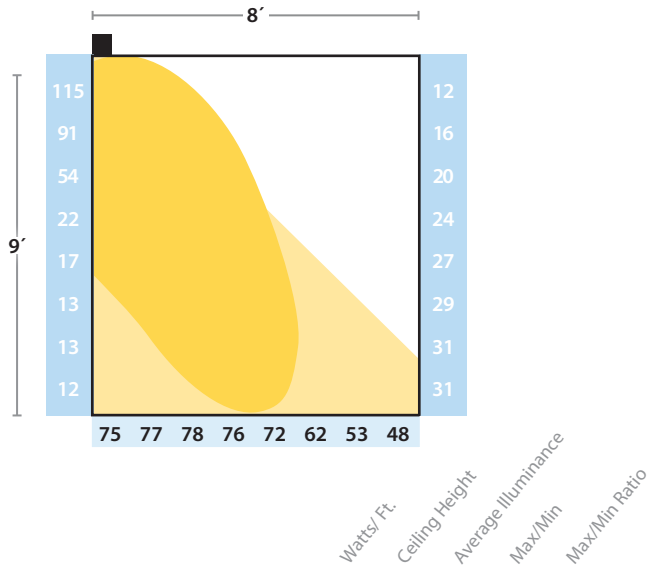
Pique interest by giving works of art 'pop' — more light at eye level



Medium Output 700 lumens/ft	6	9'	26 fc	43/15	2.9
--------------------------------------	---	----	--------------	-------	-----

Perimeter Fill (PFL)

Wash a corridor in light from one side of the perimeter. Our Perimeter Fill is ideal for hospital corridors where a 50 fc average is needed.

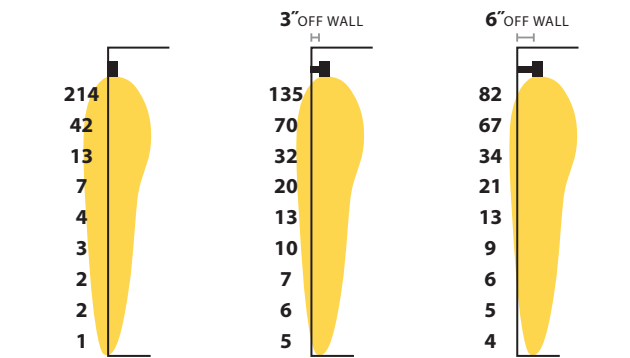


High Output 1225 lumens/ft	1.75	10'	50 fc	67/55	1.2
-------------------------------------	------	-----	--------------	-------	-----

Medium Wall Graze (MGZ)

Wall grazing performance often better just off a wall.

DIRECT TO WALL (WM) WALL BRACKET (WB)



See perimeter specs

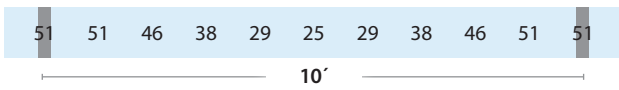
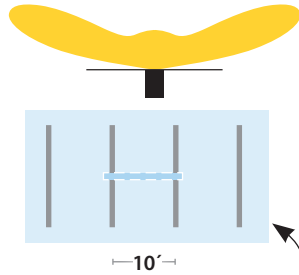
USE WB WALL BRACKET FOR BETTER PERFORMANCE THAN FLUSH TO WALL



Hard Ceiling Wash (HCW)

OPEN OFFICE/CLASSROOM

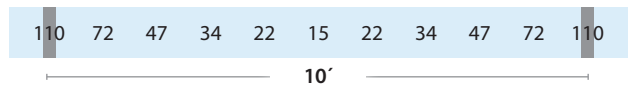
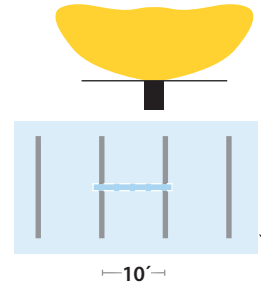
Hung 18" below ceiling



Medium Ceiling Wash (MCW)

SINGLE OFFICE OR OTHER SMALL CEILING

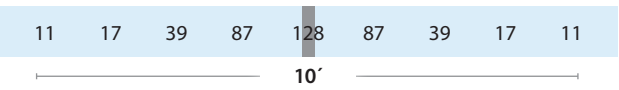
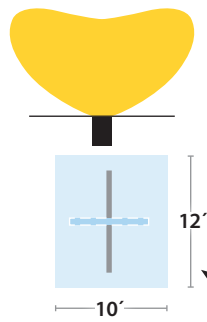
Hung 18" below ceiling



Soft Ceiling Wash (SCW)

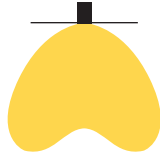
SINGLE OFFICE OR OTHER SMALL CEILING

Hung 18" below ceiling



BionicPro to Bionic/P23-43 Optics Crossing Matrix

DOWNLIGHT:

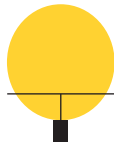


Wall Mount only
until ' 21 Perimeter



	Satin	Batwing	Flat Wall Wash	Focal Glow Wall Wash	Perimeter Fill
BionicPro	SAL	BTW	WWF	WWG	PFL
Bio2 / P23 = BionicPro3	SAL	MBW	MWW/D1W	—	MWW/D1R
Bionic4 / P43 = BionicPro4	SAL	ABW/D1X	—	AWL/D1W	AWL/D1R

UPLIGHT:



WWG = PFL
Lens aimed away from wall



	Symmetric	Hard Ceiling Wash	Medium Ceiling Wash	Soft Ceiling Wash	Asymmetric Ceiling Wash
BionicPro	SYM	HCW NA BionicPro2	MCW	SCW	SACW
Bio2 / P23 = BionicPro3	SYM	CW	CW	—	ACW
Bionic4 / P43 = BionicPro4	SYM	CW	CW	—	—



WIRING DIAGRAMS
SPEC



PRUDENTIAL LTG.

PRULITE.COM 213.746.0360

Lumen Outputs:

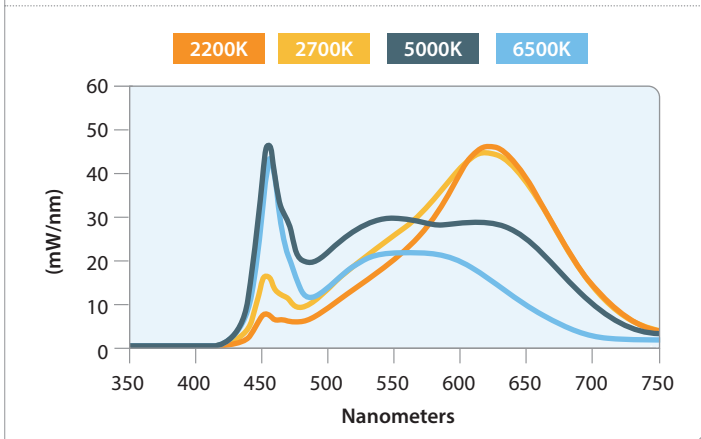
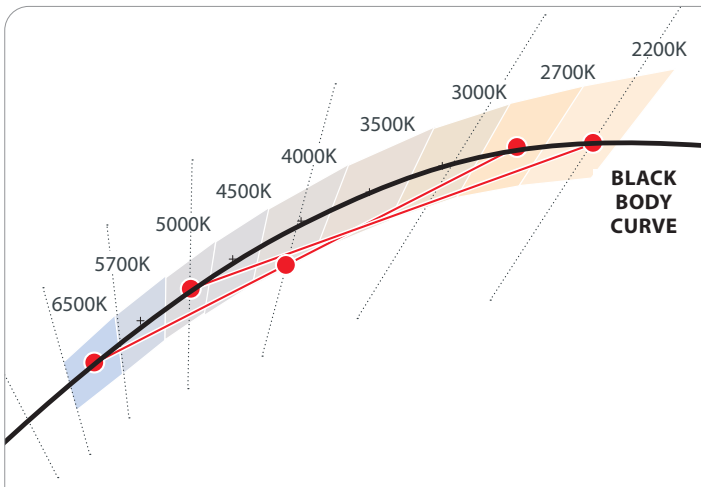
		BLUHUE, TUHUE, TUHUE2, AMBERHUE			
DIRECT:		LO	MO	SO	HO*
SAL	Lm/Ft	205	385	550	715
BTW / WWG / PFL	Lm/Ft	215	395	565	730
LGP / WWF / MGZ	Lm/Ft	225	405	580	750
	W/Ft	3.8	5.6	7.8	10.5
INDIRECT:		LO	MO	SO	HO*
SYM	Lm/Ft	360	480	630	800
HCW	Lm/Ft	150	300	450	575
SCW	Lm/Ft	350	525	700	870
SACW	Lm/Ft	300	450	600	720
	W/Ft	3.8	5.6	7.8	10.5

** TU2 + AMB NOT AVAILABLE HO / CHROMAHUE ONLY AVAILABLE ON HO



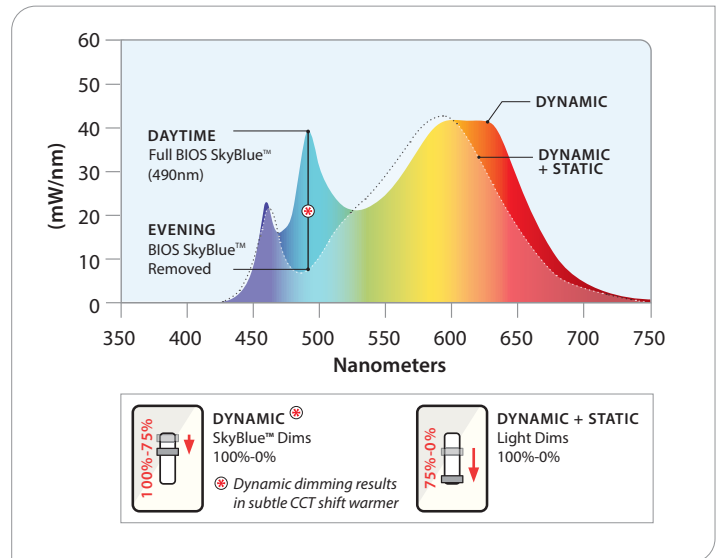
Prudential Lighting's **TuHue** Tunable White provides warm to cool white light simulating sunlight. Controlling the light source color temperature offers differing design aesthetics with potential benefits via circadian rhythm support. Blue light for alertness while warm light conveys tranquility.

- 2700K-6500K or 2200K-5000K.
- Adjust the color temperate and brightness separately.
- Simulates warm to cool to warm transition of sunlight.



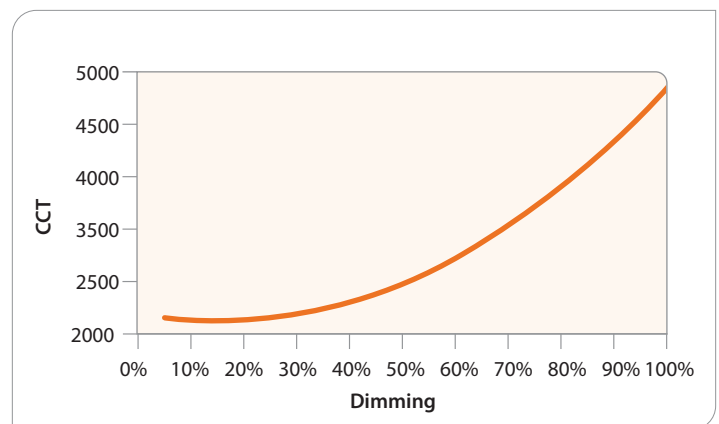
BluHue BIOS SkyBlue™ circadian LED lighting brings the benefits of blue skies inside. Newly discovered blue-sky receptors in our eyes drive improved daytime alertness, mood, brain function, and strengthens circadian rhythms leading to overall better health and well-being.

- Circadian rhythms play an integral role in physical and mental health.
- BluHue BIOS SkyBlue pinpoints peak 490nm sensitivity to provide the most benefit from an electric light source.
- At night, simply dim the lights to remove SkyBlue™ wavelengths (specify "Blu_D" to dim Cyan SkyBlue spike separately [night mode]).



AmberHue is Prudential Lighting's Warm Dim offering. It transitions bright white light to warm amber light as brightness is dimmed, reflecting sunlight's transitioning from intense blue midday light to a dimmed golden hue near sunset, also reminiscent of soft glowing candlelight.

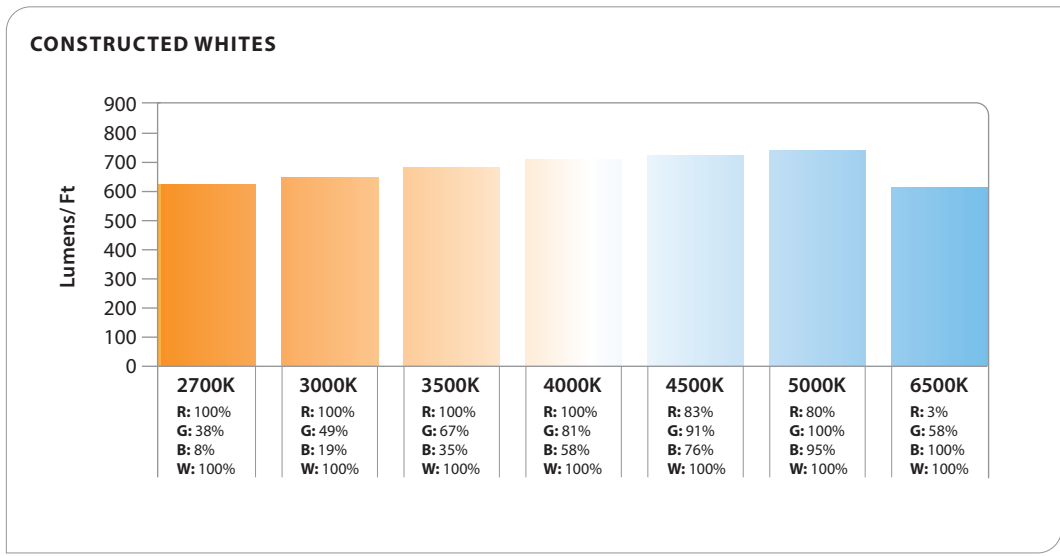
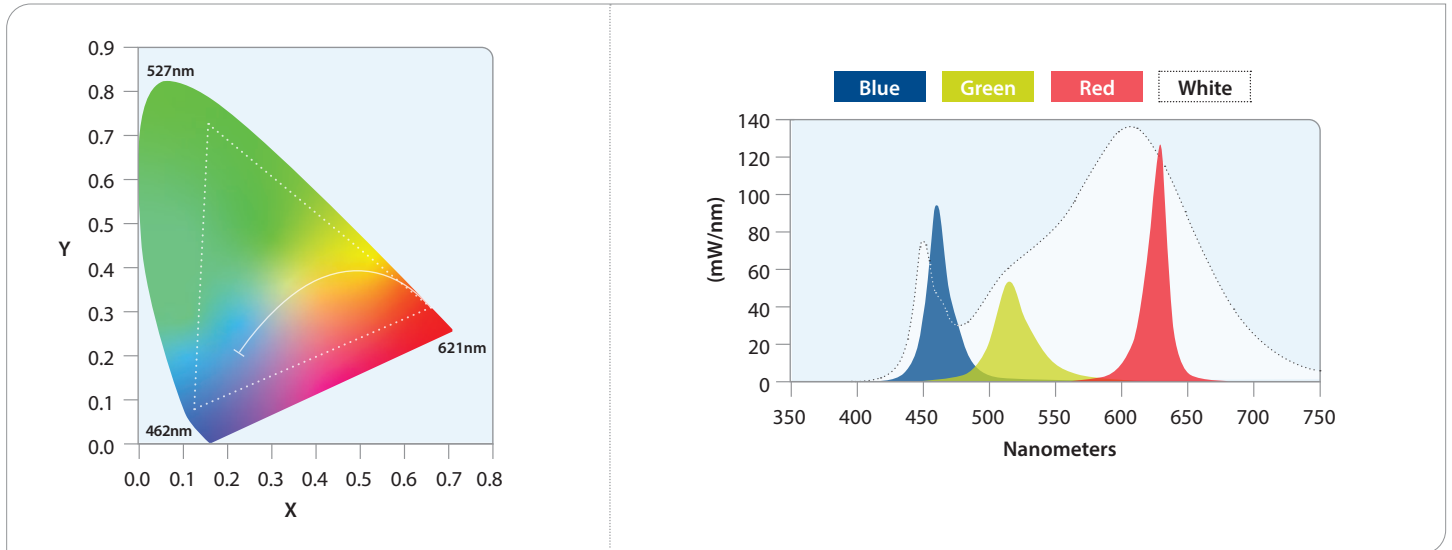
- Warm Dim 2200K-5000K.
- Color temperature warms as the luminaire is dimmed.
- Calm, relaxing mood communicated – hospitality, residential feel.





ChromaHue offers a vibrant full gamut of colors for seemingly endless architectural interior applications. Rich color-changing light offers tremendous design flexibility while white light can be achieved with the White chip, or mixing of Red, Green and Blue light. No longer just for the entertainment industry, ChromaHue can be intermixed on BionicPro luminaires for mood-creating indirect illumination combined with static white direct light.

- RGBW LED array (Red, Green, Blue, White) with full spectrum color and white light on the black body curve.
- Four-channel control, DMX drivers.
- Any color point within the triangle can be reached by setting the proper output levels for each individual red, green, blue and white channels.
- Standard DMX is one zone with one XLR drop at start, one XLR return at the end.





LM79 & TM30 DATA:

	MEASURED CCT	MEASURED LUMENS	CRI	R9	DuV	SPD	TM30 — COLOR VECTOR	TM30 — COLOR DISTORTION
LED27	2680	80%	93	58	0.001		 89 Rf	 97 Rg
LED3	3042	95%	82	6	0.001		 81 Rf	 92 Rg
LED3-90	3016	85%	93	61	0.000		 88 Rf	 96 Rg
LED35	3482	100%	82	3	0.002		 81 Rf	 92 Rg
LED35-90	3417	85%	93	67	0.000		 88 Rf	 96 Rg
LED4	3952	102%	82	4	0.003		 81 Rf	 92 Rg
LED4-90	3882	85%	92	67	0.003		 87 Rf	 96 Rg
LED5-90	4889	85%	94	84	0.002		 86 Rf	 95 Rg












LM79 & TM30 DATA:

		MEASURED CCT	MEASURED LUMENS	CRI	R9	LED27	SPD	TM30 — COLOR VECTOR
BH3S&D	bioS 3000K	2779	2758	87	81	0.003		
	BH3D SKY BLUE DIMMED	2715	2425	82	3	0.002		
BH35S&D	bioS 3500K	3245	2919	85	87	0.003		
	BH35D SKY BLUE DIMMED	3061	2502	83	7	0.001		
BH4&D	bioS 4000K	3624	2993	85	86	0.004		
	BH4D SKY BLUE DIMMED	3388	2585	83	5	0.002		
TH	LED27	2684	2456	92	57	0.0001		
	LED65	6061	3292	82	-1	0.006		
TH2	LED22	2209	2112	92	52	0.0005		
	LED50	4796	2789	93	77	0.004		
CH	2700K	2632	2469	82	50	0.003		
	3500K	3388	2585	83	5	0.002		
	4000K	3977	2682	83	29	0.003		
	5000K	5233	2823	84	21	0.003		



SENSORS

				
<p>205: Wattstopper</p> <p>Low voltage PIR fixture integrated occupancy sensor.</p>	<p>LVOC: Lutron Occupancy /Daylight Sensor</p> <p>Measures light in the space (daylighting) while detecting people moving within an area using passive infrared to determine occupancy.</p> <p>Controls the lights to balance the light level in the space, combining convenience, exceptional energy savings, and ease of installation.</p>	<p>LVRF: Lutron Vive Control Node</p> <p>Provides wireless control of the fixture when neither occupancy nor daylight sensing is needed.</p>	<p>NXSMP: Hubbell Occupancy /Daylight Sensor</p> <p>Hubbell Integrated/embedded networked lighting control, luminaire-level lighting control, LLLC.</p> <p>PIR motion sensor for automatic On/Off control.</p> <p>Integrated daylight sensor for daylight harvesting and/or lumen maintenance.</p> <p>Bluetooth radio provides wireless control of luminaire.</p> <p>Simple plug-in connection to NX Fixture Modules.</p> <p>Wireless Internet.</p>	<p>ATHENA</p> <p>The Athena wireless node is a radio frequency (RF) device that enables simple, digital control of individual light fixtures in an Athena control system.</p> <p>The small size and compatibility with a wide variety of drivers allow for seamless integration with common commercial lighting fixtures from any manufacturer.</p> <p>Requires drivers with auxiliary power, consult factory for lead times</p>

			
<p>NLT-AIR-rIO: Daylight+Occ</p> <p>The rIO is a fixture embedded low voltage wireless nLight AIR device capable of individual fixture control and analog or digital dimming. This smart device results in the luminaire being “nLight AIR-enabled” — making it an addressable nLight AIR device. It uses a 900MHz radio to communicate with other nLight AIR devices, such as occupancy sensors, photocells, wall switches, powerpacks and other nLight AIR-enabled luminaires. This allows for advanced operation and design flexibility ranging from stand-alone rooms to building and campus-wide networks.</p>	<p>NLT-AIR-ADCX: Daylight+(PIR Acoustic) Occ</p> <p>The nLight® AIR rES7 sensor is an in-fixture, low voltage, digital sensor providing embedded wireless lighting control, analog or digital dimming, occupancy detection and daylight harvesting capabilities.</p> <p>The rES7 is designed for mounting heights up to 20 ft in indoor luminaires. The rES7 sensor provides Passive Infrared (PIR) occupancy detection over a 15-20 ft (4.57 - 6.10 m) radial coverage pattern and photocell light level detection in one compact low profile design with optional Dual Technology, which adds Microphonics™ to PIR detection. The rES7 sensor is ideal for occupancy and daylighting control in suspended or recessed luminaires.</p>	<p>NLT-WIRED-nIO: Daylight+Occ</p> <p>nLight digital nIO modules are low voltage control devices that enable digital control of LEDcode enabled eldoLED LED drivers. Through eldoLED's bi-directional 2-wire interface, these modules deliver natural, flicker-free high performance dimming while eliminating common issues related to 0-10 VDC alternatives. The modules also enable the eldoLED LED Drivers to be addressable, as well as capable of digitally communicating with other nLight controls such as occupancy sensors, photocells, and WallPods. This allows for advanced operation and design flexibility ranging from stand-alone rooms to building and campus-wide networks.</p>	<p>NLT-WIRED-ADCX: Daylight+(PIR Acoustic) Occ</p> <p>The nES7 is a small passive infrared occupancy sensor designed to be easily embedded into luminaires. This sensor provides excellent line of sight 360° PIR detection of small motion and walking motion. The nES7 is ideal for small rooms without obstructions or areas with primarily walking motion (e.g. corridors, library stacks). Additionally, an optional integrated photocell enables daylight harvesting control as well. Typically one or more nES7 sensors are paired with an nLight controller within an nLight enabled luminaire.</p> <p>For rooms like classrooms and private offices or any space with obstructions, the nES PDT 7 dual technology sensor is recommended.</p>