

SSC-X1 | with Mounting Adaptor Top-Swivel Stem Mount

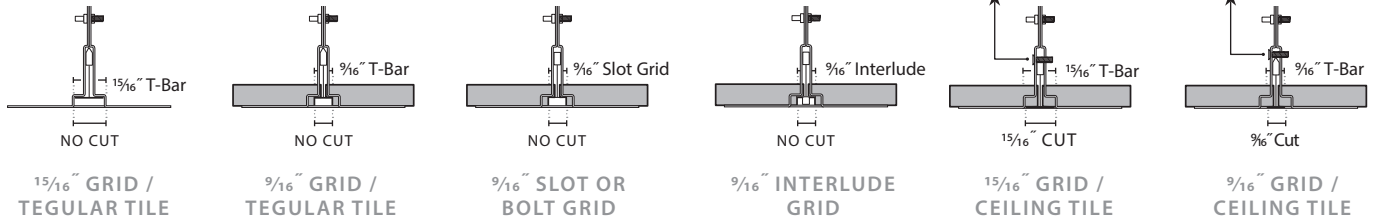
INSTALLATION INSTRUCTIONS



PRUDENTIAL LTG.

PRULITE.COM 213.746.0360

COMPATIBLE CEILING GRID SYSTEMS:



GENERAL NOTES:

- Supports maximum weight of 50 lbs
- Mounting strap will accommodate a 3" and 4" octagonal electrical box or 4" square box with plaster ring

INSTALLATION:

- 1)** Trim along edge of obround pilot slot for desired grid width. 9/16" or 1 5/16" option. (See Figure 1)

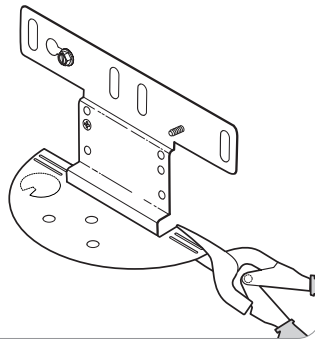
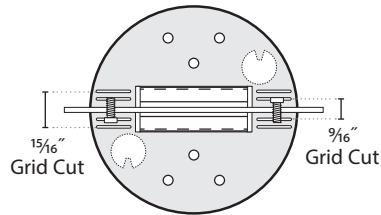
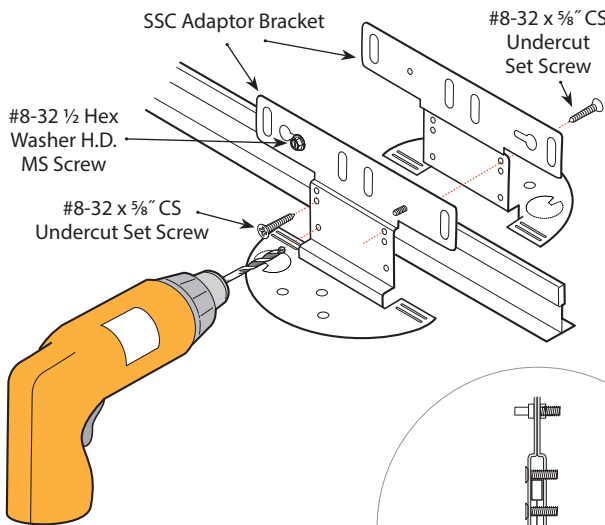


FIGURE 1: GRID CUT WIDTH



- 2)** Drill 1/8" hole through pilot holes to secure adaptor flush with grid. (See figure 2).



Drive #8-32 x 5/8" CS undercut set screw through pilot hole, grid and second adaptor. Be sure adaptor is flush with grid.

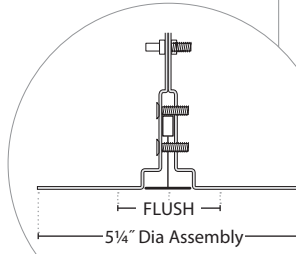
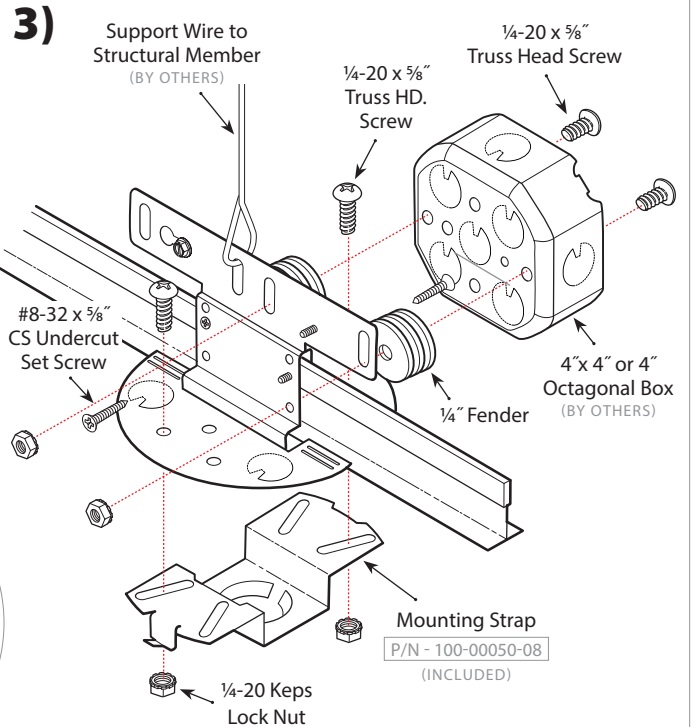


FIGURE 2



WARNING: Ground fixture in accordance with local and national electrical codes. Failure to do so may result in serious personal injury. Fixture Installations should ONLY be done by a qualified licensed electrical professional.

SSC-X1 | with Mounting Adaptor

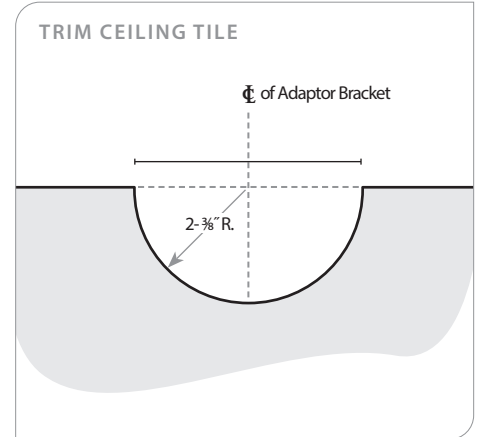
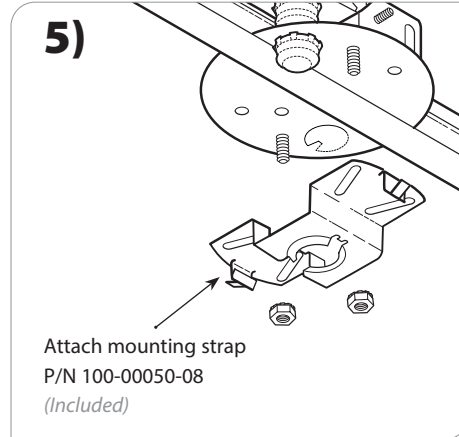
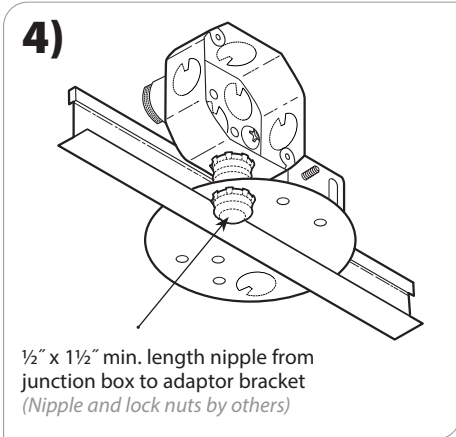
Top-Swivel Stem Mount

INSTALLATION INSTRUCTIONS



PRUDENTIAL LTG.

PRULITE.COM 213.746.0360

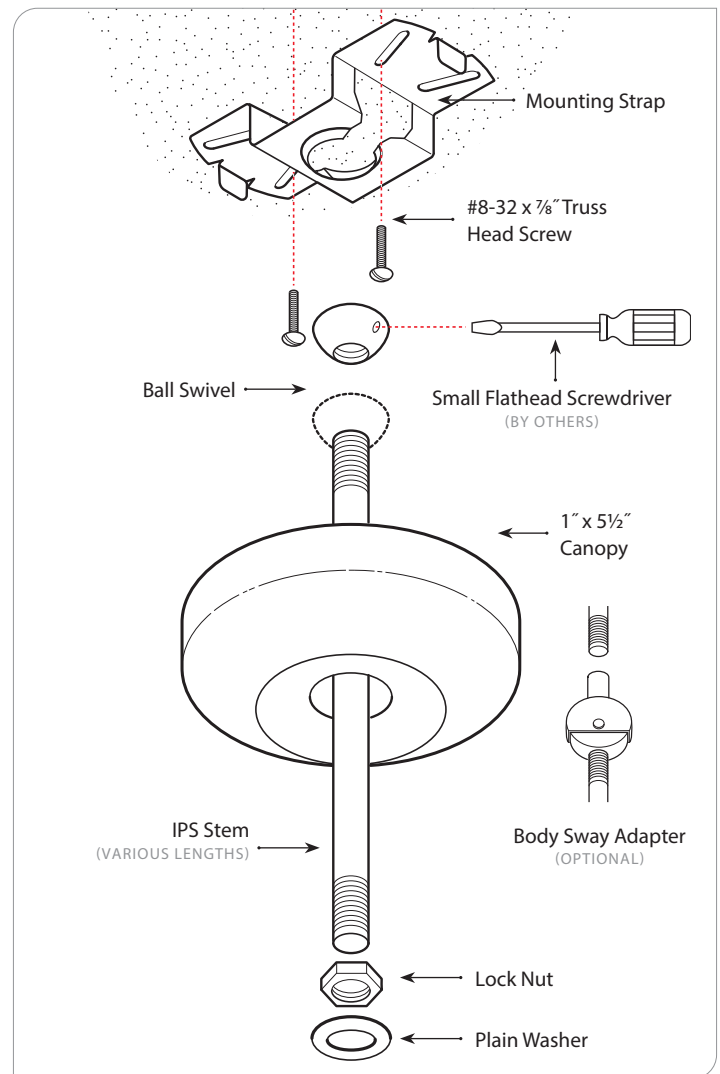


PARTS LIST

PART NUMBER	DESCRIPTION	QTY
100-00050-14	#8-32 x 7/8" Truss Head Screw	2
39157	#14 Gauge Mounting Strap	1
100-00130-08	3/8" ISP Ball Swivel	1
100-00103-08	1/4" ISP Ball Swivel (For 1/4" Stem Only)	1
139242	1" x 5/4" Diameter Canopy	1
100-00032-14	#10 1/4" x 3/16" Plain Washer	2
100-00013-14	3/8" Lock Nut	2
100-00231-14	1/4" Lock Nut (For 1/4" Stem Only)	1
100-0005-08	Body Sway Adapter (For 3/8" Stem Only)	1
91382	SSC Adaptor Bracket	2
100-00126-14	1/4" Fender	8
100-00035-14	#8-32 1/2" Hex Washer H.D. MS Screw	2
100-00255-14	1/4-20 Keps Lock Nut	4
100-00250-14	1/4-20 x 3/8" Truss HD. Screw	4
100-00128-14	#8-32 x 3/8" CS Under Cut ST Screw	4

IPS STEM

76847	6" Long (Threaded Ends)	76851	36" Long (Threaded Ends)
76848	12" Long (Threaded Ends)	76852	48" Long (Threaded Ends)
76849	18" Long (Threaded Ends)	76853	60" Long (Threaded Ends)
76850	24" Long (Threaded Ends)	76854	72" Long (Threaded Ends)
77353	30" Long (Threaded Ends)	76855	96" Long (Threaded Ends)



WARNING: Ground fixture in accordance with local and national electrical codes. Failure to do so may result in serious personal injury. Fixture installations should ONLY be done by a qualified licensed electrical professional.



Prudential Ltg. reserves the right to change design specifications or materials without notice. Please visit prulite.com for most current data. © 2025 All rights reserved—All products manufactured at: Prudential Ltg. 1774 E. 21st Street, Los Angeles, CA 90058

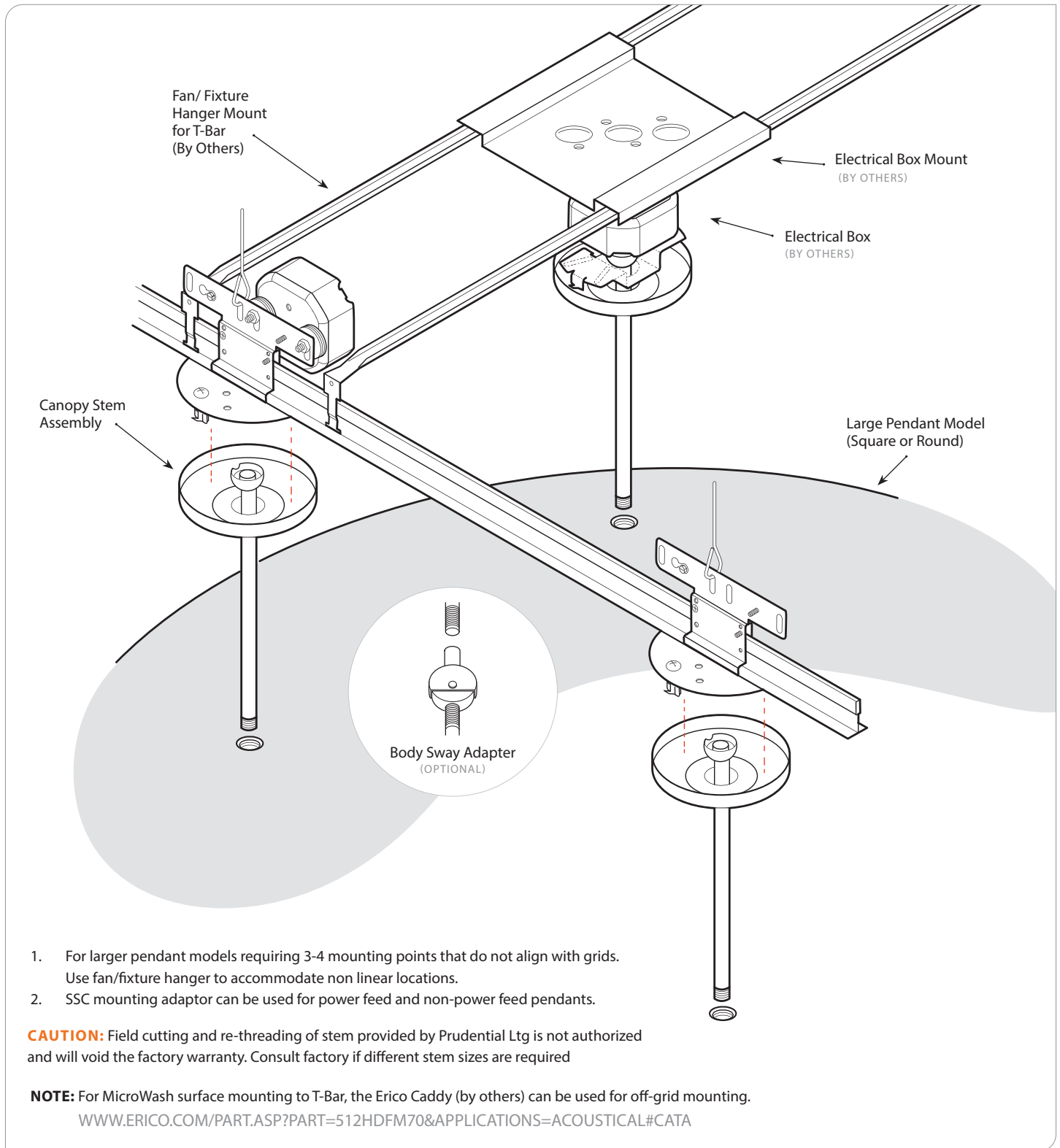
SSC-X1 | with Mounting Adaptor Top-Swivel Stem Mount

INSTALLATION INSTRUCTIONS



PRUDENTIAL LTG.

PRULITE.COM 213.746.0360



WARNING: Ground fixture in accordance with local and national electrical codes. Failure to do so may result in serious personal injury
Fixture Installations should ONLY be done by a qualified licensed electrical professional..

USA Prudential Ltg. reserves the right to change design specifications or materials without notice. Please visit prulite.com for most current data.
© 2025 All rights reserved—All products manufactured at: Prudential Ltg. 1774 E. 21st Street, Los Angeles, CA 90058