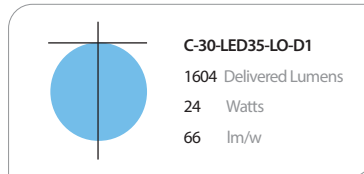


**“The not-quite-a-circle shape, just for kicks”**

Sleek and seamless Euro-styled body and lens with 5” height and sharp .5” trim detail. 4” aperture lens for O, C and Quad Frame. All with seamless and evenly lit flat white acrylic lenses and independent uplight.



**LUMEN OUTPUT:  
Direct (D1)**

	LO	MO	SO	HO
<b>C-20:</b> lm/w	1000	1375	3200	4000
	16	21	35	46
<b>C-30:</b> lm/w	1600	2000	3300	4100
	24	31	53	69
<b>C-40:</b> lm/w	2100	2700	4450	5700
	32	41	70	91



Lumen output may vary +/- 5%  
3500K used for lm/ft estimates above  
4000K +2% llf, 3000K -2%, 2700K -4%  
-10% LLF for 90 CRI (4K, 3500K and 3K)  
**See LED Details PDF for more info**

SERIES	LED COLOR	OUTPUT	SHIELD-ING	COLOR/ FINISH	DISTRI- BUTION	CIRCUIT- ING	VOLT- AGE	MOUNTING	CEILING SYSTEMS	DRIVERS	OPTIONS
			FWA								
C-20 2' Dia.	LED27 2700K (90CRI)	LO Low	FWA Flat White Acrylic Lens	TMW Tex- tured Matte White (Standard)	D1 Direct Solid Top <b>NOTE:</b> Only 1 row of LEDs	SC Single Circuit	UNV (120- 277)	CA48", 96" or 144" Aircraft Cable (Adjustable)	X1 T-Bar 1 1/16" or 3/16" Exposed (Standard)	ND Non-Dimming DM01 0-10v, 1% Dimming (Standard)	EMHE CA T20 Emergency Battery (Remote only; 500 delivered lumens; CA Title 20 compliant)
C-30 3' Dia.	LED3 3000K	MO Me- dium		YGW Gloss White	D9 Semi- Direct <b>NOTE:</b> Only 1 row of LEDs, 17% Up, 83% Down	DC Dual Circuit (Two feeds required, D9 only)	347 (Emer- gency battery requires a Step Down trans- former)	3RPM48", 96" or 144" Round Cast Aluminum Canopy (Min from fixture to ceiling 2': 10", 3': 16", 4': 20")	X3 Hard Ceiling	LDE1 Lutron Hi-lume 1% EcoSystem LED (Soft fade on, fade-to-black dimming)	IBC Insulated Braided Cord
C-40 4' Dia.	LED35 3500K  LED4 4000K  LED3-90 90CRI  LED35-90 90CRI  LED4-90 90CRI	SO Stan- dard  HO High  PROG Program- mable Light Output (Specify desired lm or w/fixture)		Y Pre- mium Color  CC Custom Color  <b>NOTE:</b> All canopies are painted the same color as the fixture. Consult factory to specify				3SPM48", 96" or 144" Square Cast Aluminum Canopy (Min from fixture to ceiling 2': 10", 3': 16", 4': 20")  MPCA48", 96" or 144" Monopoint Mounting (18" min from fixture to ceiling)  <b>NOTE:</b> Fixture may spin with air movement  SSC__ Top-Swivel Stem Mount (Specify length)	X6 Slot Grid or Interlude	ECO 1% 0-10v, EldoLED (Logarithmic dimming std) ECDA 1% DALI, EldoLED (Logarithmic dimming std) SOLO 0.1% 0-10v, EldoLED (Dim-to-dark, Logarithmic dimming std) SODA 0.1% DALI, EldoLED (Dim-to-dark, Logarithmic dimming std)	



## DIRECT

### Low Output:

#### C-30-LED35-LO-D1

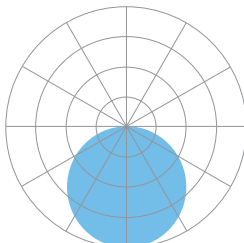
1604 Delivered Lumens

24 Watts

66 lm/w

Test

#102948172LAX-002



555

**Zonal Lumen Summary:**  
0-90 (Down) = 100%

Vertical Angle	0°	22.5°	45°	67.5°	90°
0°	555	555	555	555	555
5°	555	553	552	552	552
15°	535	533	532	532	532
25°	497	495	493	493	493
35°	441	439	438	438	438
45°	371	370	368	369	369
55°	292	290	288	288	288
65°	205	202	201	201	202
75°	116	114	113	113	115
85°	33	32	32	32	33
90°	0	0	0	0	0

## SEMI-DIRECT

### Low Output:

#### C-40-LED35-LO-D9

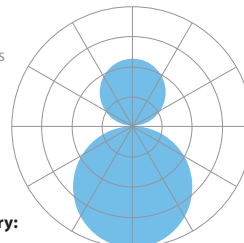
3098 Delivered Lumens

41 Watts

75 lm/w

Test

#102948172LAX-003



723

**Zonal Lumen Summary:**  
0-90 (Down) = 67%  
90-180 (Up) = 33%

Vertical Angle	0°	22.5°	45°	67.5°	90°
0°	721	721	721	721	721
5°	722	723	718	714	715
15°	693	694	690	688	688
25°	642	644	640	638	637
35°	570	570	567	567	565
45°	478	478	476	477	475
55°	373	373	371	371	371
65°	262	259	261	258	259
75°	149	147	147	146	148
85°	154	154	150	150	152
90°	3	3	4	5	5
95°	11	12	11	12	11
115°	114	114	112	110	112
125°	175	176	174	174	175
135°	239	240	238	238	240
145°	271	271	269	271	272
155°	354	355	353	354	354
165°	393	394	391	391	392
175°	413	413	411	411	412
180°	415	415	415	415	415

## LUMEN OUTPUT: Direct/Semi-Direct (D9)

D1 ON  
PREVIOUS  
PAGE

		LO	MO	SO	HO
<b>C-20:</b>	lm/w	1550	2000	3200	4000
		21	28	47	62
<b>C-30:</b>	lm/w	2600	3200	5300	6800
		35	44	74	97
<b>C-40:</b>	lm/w	3100	3900	6300	8000
		42	54	91	118

## LUMEN MAINTENANCE

Designed to last with cool running mid-power LEDs projected to maintain 90% (L90) of their initial output for 100,000 hours (at HO), and L70 exceeding 150,000 hours.

**LED SYSTEM** LED modules and drivers are field replaceable.

**PROG** (OPTIONAL) Programmable light output. Specify desired lumens or watts per linear foot. Min: 2½ w/ft, consult factory for requests above 12 w/ft.

**BINNING** Standard binning (all Prudential LED boards) includes testing at the chip level and board integration to provide consistent color temperature within a 3-step MacAdams ellipse, with +/- 5% lumen output range and +/- .004 Duv.

**LABELS** CSA and ETL damp labeled and I.B.E.W. manufactured.

**ELECTRICAL** Must specify LED dimming controls. LED fixtures have constant current driver(s) with less than 20% THD when loaded to a minimum of 60%. Drivers sink a maximum of 6mA per driver. DM01 LED drivers are 0-10V dimmable and are compatible with most 0-10V wall slide dimmers and direct 0-10V analog signal dimmers.

**CONSTRUCTION**  
Housing Extruded aluminum, >25% PC recycled, 100% recyclable.  
Lens Flat acrylic, 100% recyclable.  
Weight C-20 = 15 lbs C-30 = 25 lbs C-40 = 30 lbs

**MOUNTING** Suspended by aircraft cables or top-swivel stems.

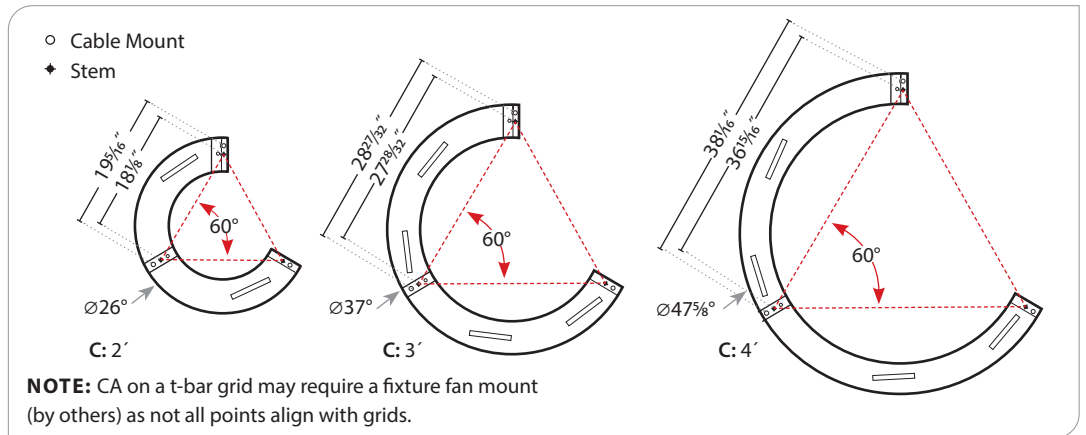
**WARRANTY** Single-source, 5 year limited warranty covers standard components and construction.



YSW – Seashell White (Matte)	YCH – Champagne (Metallic)
YSL – Silver (Metallic)	YPE – Pewter (Matte)
YRG – Rain Grey (Gloss)	YSTM – Storm Grey (Matte)
YBK – Black (Matte)	YBB – Black (Semi Gloss)
YSKM – Sky (Matte)	YMB – Military Blue (Matte)
YIB – Interstate Blue (Matte)	YSAM – Sapphire (Matte)
YFGM – Forest Green (Matte)	YBR – Bronze (Matte)
YBY – Boysenberry (Matte)	YSRM – Sunset Red (Matte)
YOR – Orange (Matte)	YDAM – Daffodil (Matte)



## MOUNTING LOCATIONS



Choose from one of our Premium Colors with no set-up fee.

For paint chip samples, please email: [info@prulite.com](mailto:info@prulite.com)

## R/SPM — ALUMINUM CANOPIES

