

The nature-inspired, curved-edge Stream Oval.

An uninterrupted line of light that extends as far as the blueprint dictates.

Stream Suspended: Square (Integral & Remote Drivers) and Oval (Remote Only)

Stream Recessed Linear: 4" and 2.5"

Stream Perimeter: 4"

STOV-LED35-SO-SO-D1-SYM
 4764 Delivered Lumens
 51 Watts
 93 lm/w

UPTO **94** LPW

DIRECT ONLY:	LO	MO	SO	HO
D1 Lm/Ft	450	650	925	1075
W/Ft	4	6	8	10.5
DIRECT/INDIRECT:	LO/LO	MO/MO	SO/SO	HO/HO
D1-SYM Lm/Ft	675	980	1400	1600
W/Ft	5.8	8.5	13	16

SMART SPECS



Lumen output may vary +/- 5%
 4000K used for lm/ft estimates above
 3500K -2% llf, 3000K -4%, 2700K -6%
 -10% LLF for 90 CRI (4K, 3500K and 3K)

SE-RIES	LED COLOR	OUTPUT	NOMINAL LENGTH	COLOR/FINISH	DISTRIBUTION	CIRCU-ITING	VOLT-AGE	MOUNT-ING	CEILING SYSTEMS	DRIVERS	OPTIONS
STOV		—			D1 —						
Stream Oval with Remote Driver	LED27 2700K (90CRI) LED3 3000K LED35 3500K LED4 4000K LED3-90 90CRI LED35-90 90CRI LED4-90 90CRI	LO Low MO Medium SO Standard HO High PROG Programmable Light Output (Specify desired lm/ft or w/ft) NOTE: Specify separate Down/Up if desired	2' 3' 4' 6' 8' R____ (Row Length) NOTES: Row lengths are typically made up of 8" and 4" fixtures, (eg. 12' row is (1) 8" and (1) 4"), unless symmetric row lengths are requested. Individual fixtures are NOT intended for row mounting	TMW Textured Matte White (Standard) Y____ Premium Color CC Custom Color (Matte finishes only) LUXE METALLICS: YBZ Bronze YCP Copper Penny YGN Gold Nugget NOTES: Only available in matte or satin finishes., All canopies are painted the same color as the fixture. Consult factory to specify. Black cord is standard for Black painted fixtures, White cord for all other colors.	CHOOSE DOWN -AND- UP DOWN: D1 Direct UP: NU No Uplight SYM Sym-metric Glow	SC Single Circuit DC Dual Circuit, (Two feeds required, Dim Down & Up light separately)	UNV (120-277) 347 (NA with EML/H)	CA48", 96" or 144" Aircraft Cable (Adjustable)	X1 T-Bar Exposed (Standard) X3 Hard Ceiling X6 Slot Grid	ND Non-Dimming DM01 0-10v, 1% Dimming (Standard) LDE1 Lutron Hi-lume 1% EcoSystem LED (Soft fade on, fade-to-black dimming, NA - HO) ECO 1% 0-10v, EldoLED (Logarithmic dimming std) ECDA 1% DALI, EldoLED (Logarithmic dimming std) SOLO 0.1% 0-10v, EldoLED (Dim-to-dark, Logarithmic dimming std) SODA 0.1% DALI, EldoLED (Dim-to-dark, Logarithmic dimming std)	EMHE CA T20 Emergency Battery (800 delivered lumens, 4" or longer, CA Title 20 compliant)

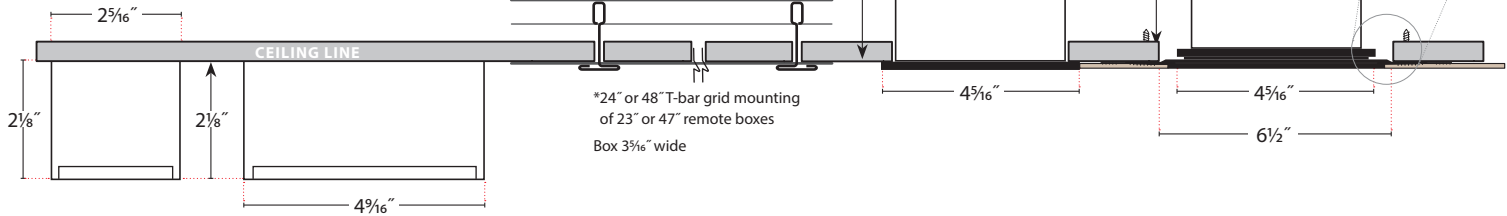
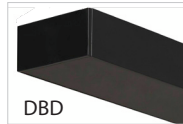
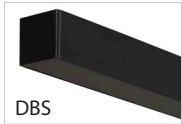
SEE PAGE 2 FOR REMOTE BOX OPTIONS



REMOTE BOX TYPE:

DBS - SINGLE

DBD - DOUBLE

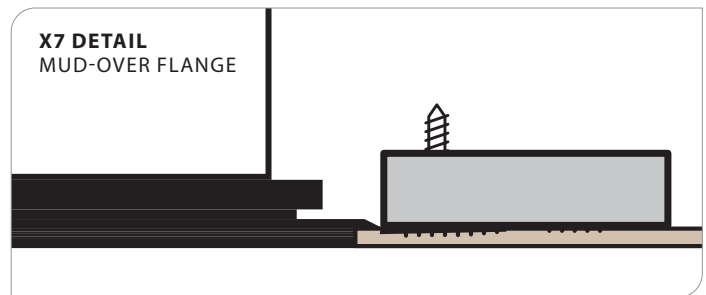
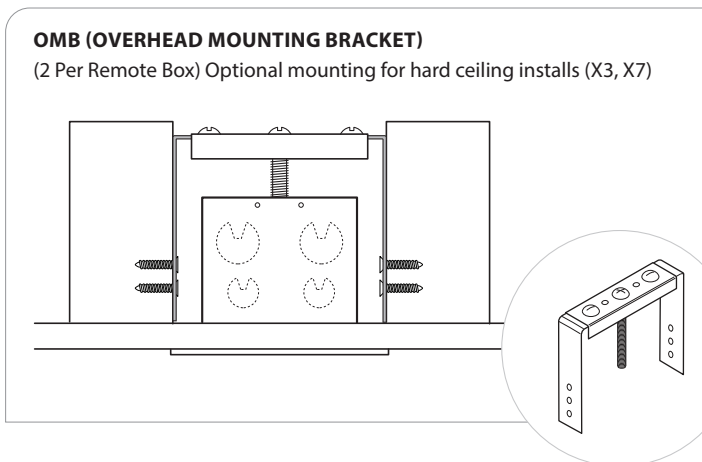


REQUIRED FOR QUOTING:

PRU WILL COMPLETE:

SERIES	REMOTE BOX TYPE	REMOTE BOX COLOR	EMERGENCY	OPTIONS	LENGTH	LINE VOLTAGE LOCATION	POWER FEED (NOT FOR X1)	MOUNTING
REMBOX						—		
Remote Box	DBS Deco Surface Box Single DBD Deco Surface Box Double NOTE: Double used when drivers & Emergency don't fit in Single, factory will typically determine when ordering X1 All T-Bar Ceilings X3 Hard Ceilings with Flange (Does not typically need this spec sheet filled out) X7 Hard Ceilings with Mud-over Flange	NA X1 T-bar boxes are pre-painted, DO NOT designate paint color TMW Textured Matte White (Standard) YGW Gloss White Y__ Premium Color CC Custom Color NOTE: Visible parts only	EMHE CAT20 Emergency Battery ETS-DR Iota ETS-DR Emergency Transfer Switch EMC Emergency Circuiting	OMB Overhead Mounting Bracket (X3 & X7 Only, see page 2) Consult factory for Sensors installed in Remote Box	2' (Standard) 4' Custom	(DBS/DBD ONLY) LEFT: 0 RIGHT: 0 1 2 NOTE: Left is indicated by power or mount holes on cover See page 3	0 (Standard) 2 See page 4	NOMT (Fixture DOES NOT mount to remote box, X1 T-Bar always NOMT) MT (Fixture mounts to remote box) See page 5

REMOTE BOX OPTIONS



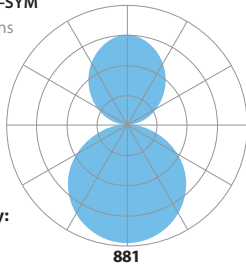


D1 — WITH SYMMETRIC GLOW

Standard Output:

STOV-LED35-SO-SO-D1-SYM

4764 Delivered Lumens
51 Watts
93 lm/w
3500 CCT



Zonal Lumen Summary:

0-90 (Down) = 59%
90-180 (Up) = 41%

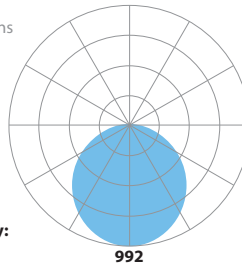
Vertical Angle	0°	22.5°	45°	67.5°	90°
0°	881	881	881	881	881
5°	881	878	877	879	879
15°	862	855	854	856	855
25°	818	810	811	812	813
35°	748	743	744	742	740
45°	660	653	654	648	644
55°	552	539	539	527	518
65°	428	404	399	372	352
75°	284	239	215	165	136
85°	126	78	46	21	6
95°	69	86	81	60	46
105°	149	164	161	138	121
115°	235	242	240	222	208
125°	330	330	334	316	303
135°	424	420	422	411	404
145°	516	512	512	500	499
155°	592	590	585	587	586
165°	646	646	646	648	647
175°	683	681	679	681	679
180°	685	685	685	685	685

D1 — DIRECT ONLY

Standard Output:

STOV-LED35-SO-D1-NU

2883 Delivered Lumens
34 Watts
85 lm/w
3500 CCT
Test #L051506801



Zonal Lumen Summary:

0-90 (Up) = 97%

Vertical Angle	0°	25°	45°	65°	90°
0°	992	992	992	992	992
5°	986	985	985	982	982
15°	954	947	943	937	935
25°	892	880	871	863	862
35°	892	878	775	768	766
45°	690	670	658	655	654
55°	553	534	528	525	523
65°	409	396	391	379	370
75°	240	236	204	165	149
85°	69	42	34	32	32
90°	0	0	0	0	0

Luminance Chart:

Angle	0°	45°	90°
45°	12875	12288	12212
55°	12726	12157	12039
65°	12764	12219	11559
75°	12228	10385	7612
85°	10453	5209	4787

D1 — Direct Only:



LUMEN MAINTENANCE

Designed to last with cool running mid-power LEDs projected to maintain 90% (L90) of their initial output for 100,000 hours (at HO), and L70 exceeding 150,000 hours.

LED SYSTEM LED modules and drivers are field replaceable.

PROG (OPTIONAL) Programmable light output. Specify desired lumens or watts per linear foot. Min: 2½ w/ft, consult factory for requests above 12 w/ft.

LABELS CSA and ETL damp labeled and I.B.E.W. manufactured.

ELECTRICAL Must specify LED dimming controls. LED fixtures have constant current driver(s) with less than 20% THD when loaded to a minimum of 60%. Drivers sink a maximum of 6mA per driver. DM10 LED drivers are 0-10V dimmable and are compatible with most 0-10V wall slide dimmers and direct 0-10V analog signal dimmers. Max driver size 1¼" w x 1" h.

CONSTRUCTION

Power cord is always White.

Housing Aluminum extrusion, >25% PC recycled, 100% recyclable.
End Caps Cast aluminum, >25% PC recycled, 100% recyclable.
Reflector 98% high diffuse reflector film (200' roll). UV Stable (UL 94v).
Weight 4 lbs/ft.

MOUNTING Suspended by cable.

WARRANTY Single-source, 5 year limited warranty covers standard components and construction.



FINISH COLORS

STANDARD:

TMW – Textured Matte White	YGW – Gloss White
----------------------------	-------------------

PREMIUM:

YSW – Seashell White (Matte)	YRG – Rain Grey (Gloss)
YPE – Pewter (Matte)	YSTM – Storm Grey (Matte)
YBK – Black (Matte)	YBB – Black (Semi Gloss)
YSKM – Sky (Matte)	YMB – Military Blue (Matte)
YSAM – Sapphire (Matte)	YIB – Interstate Blue (Matte)
YBR – Bronze (Matte)	YSRM – Sunset Red (Matte)
YOR – Orange (Matte)	YDAM – Daffodil (Matte)
YFGM – Forest Green (Matte)	YSL – Silver (Metallic)

LUXE METALLICS:

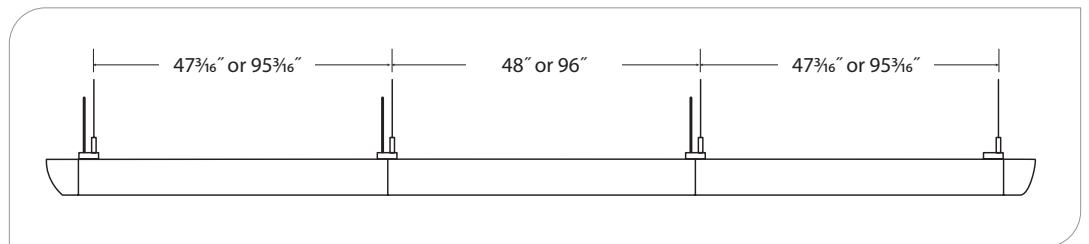
YCP – Copper Penny (Metallic)	YGN – Gold Nugget (Metallic)
YBZ – Bronze (Metallic)	

Choose from one of our Premium Colors with no set-up fee.

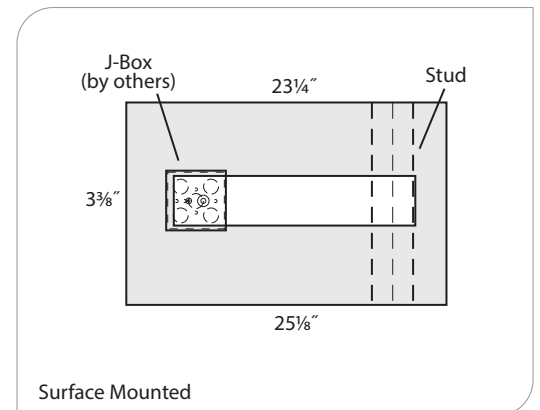
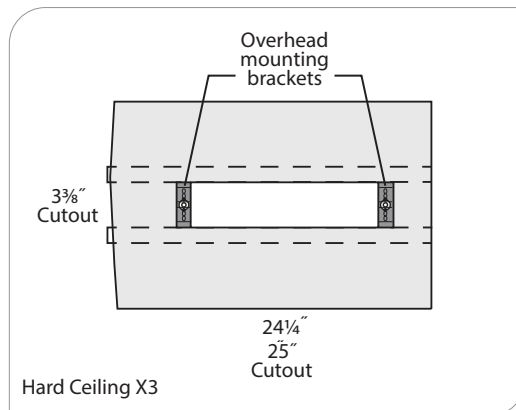
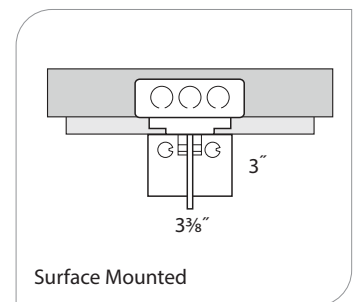
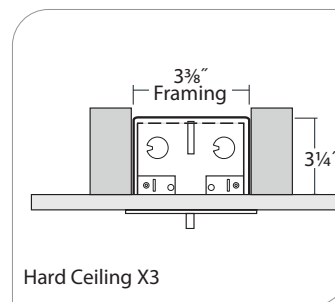
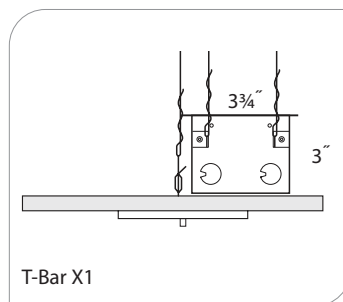
For paint chip samples, please email: info@prulite.com



MOUNTING CENTERS



REMOTE DRIVER BOX (STANDARD) INSTALLATION



REFLECTOR
INSTALLATION
VIDEO

Remote Box — Line Voltage Location for Surface Mount

DBS/DBD Only

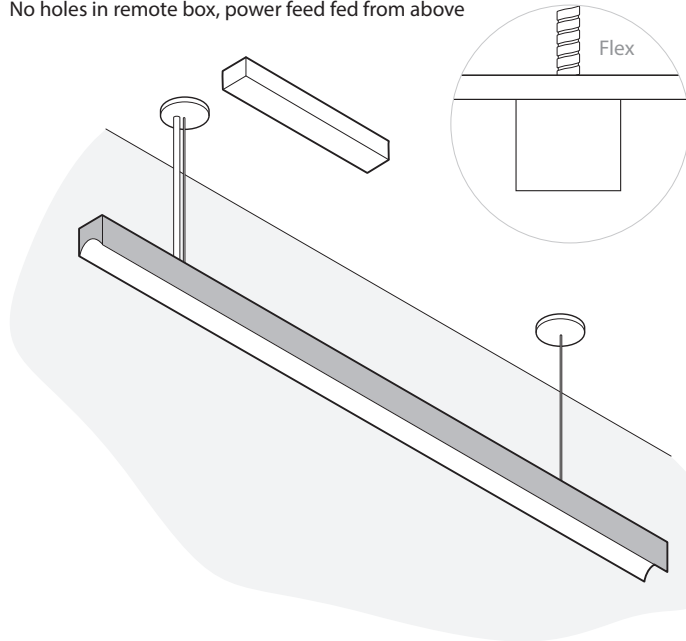


PRUDENTIAL LTG.

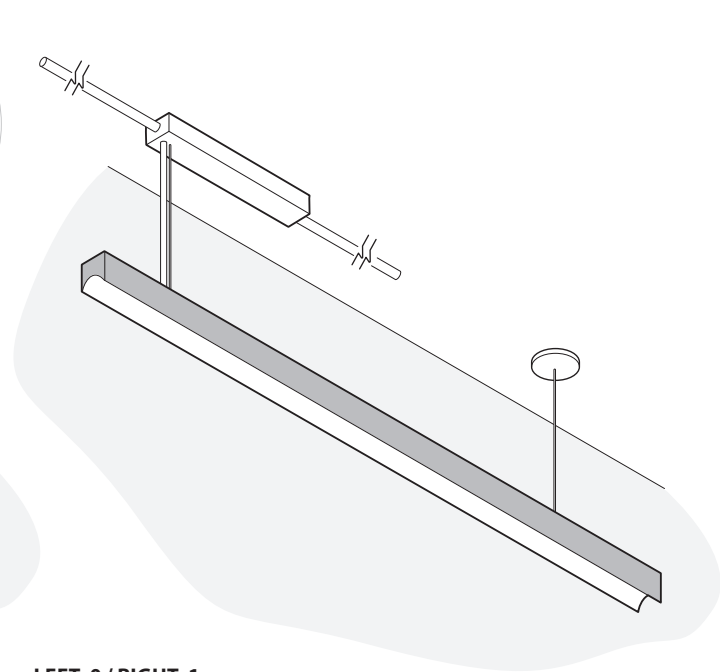
PRULITE.COM 213.746.0360

LEFT: 0 / RIGHT: 0

No holes in remote box, power feed fed from above

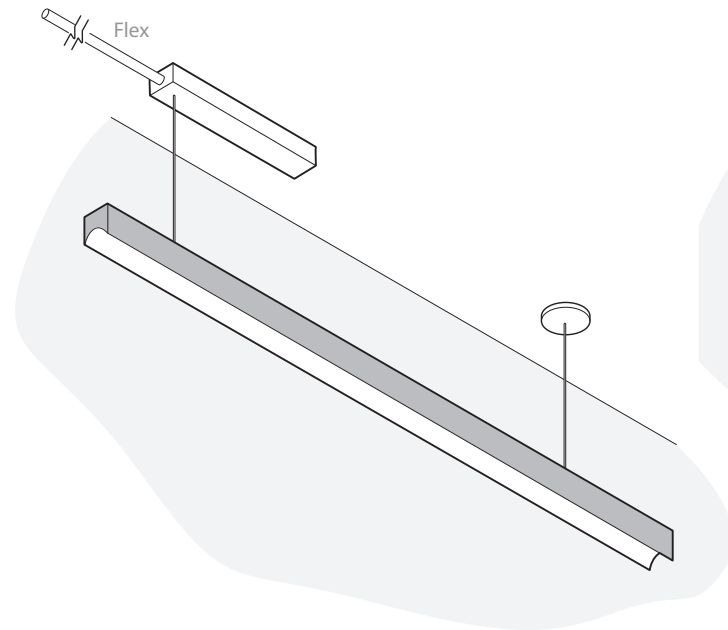


LEFT: 1 / RIGHT: 1



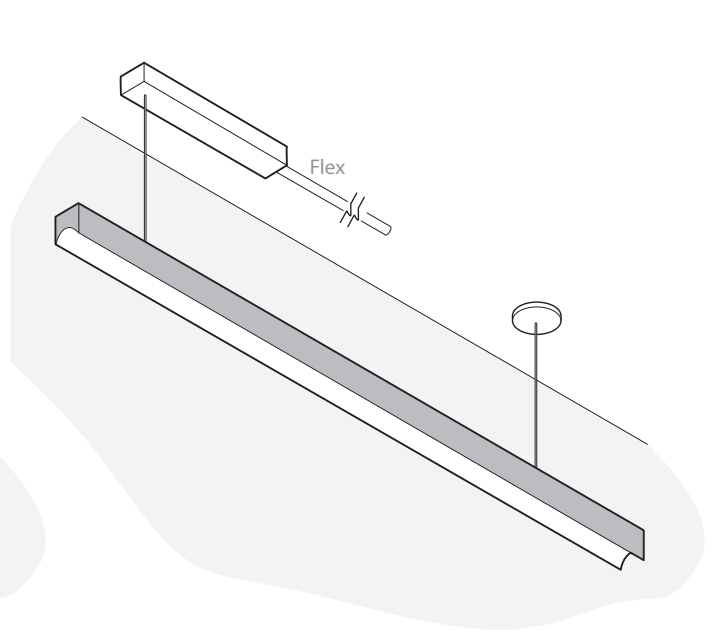
LEFT: 1 / RIGHT: 0

Fixture cable hung from remote box, flex to LEFT
(typically for concrete ceilings)



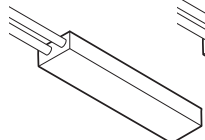
LEFT: 0 / RIGHT: 1

Fixture cable hung, flex to RIGHT of cable

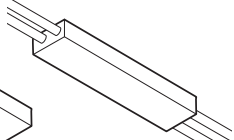


NOTE: DBD will be needed for most driver + Emergency, two power feeds possible L2 (left) or R2 (right) side.

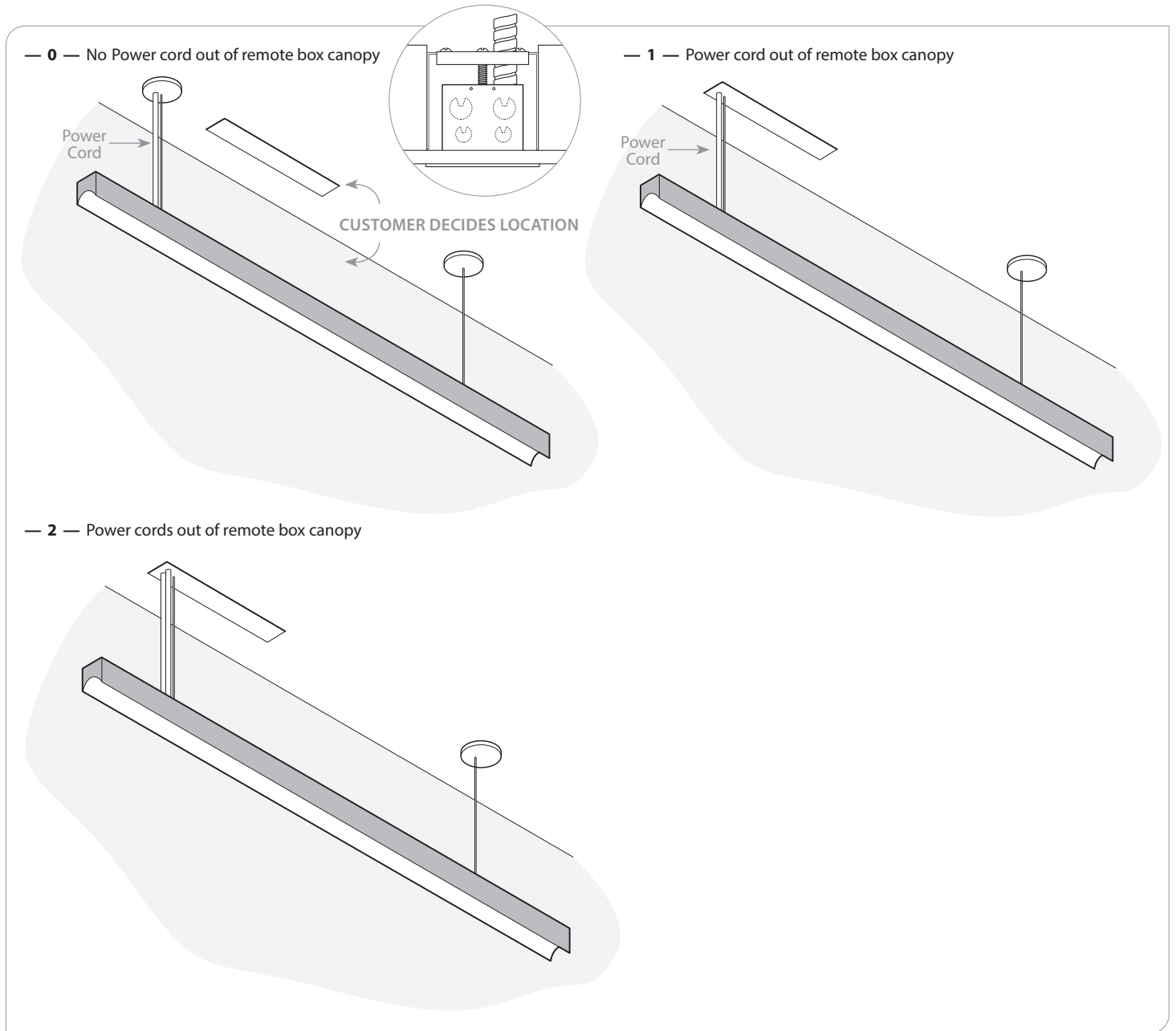
LEFT: 2 / RIGHT: 0



LEFT: 2 / RIGHT: 2



Remote Box — Power Feed



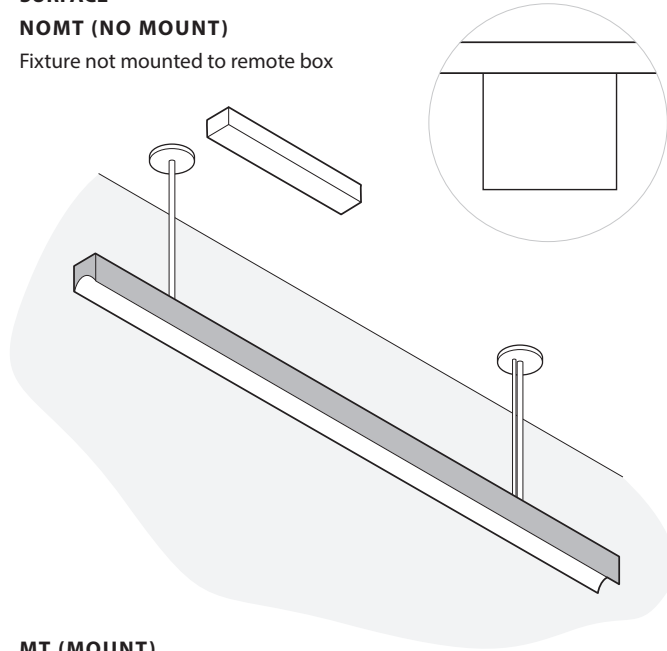
Remote Box — Mounting



SURFACE

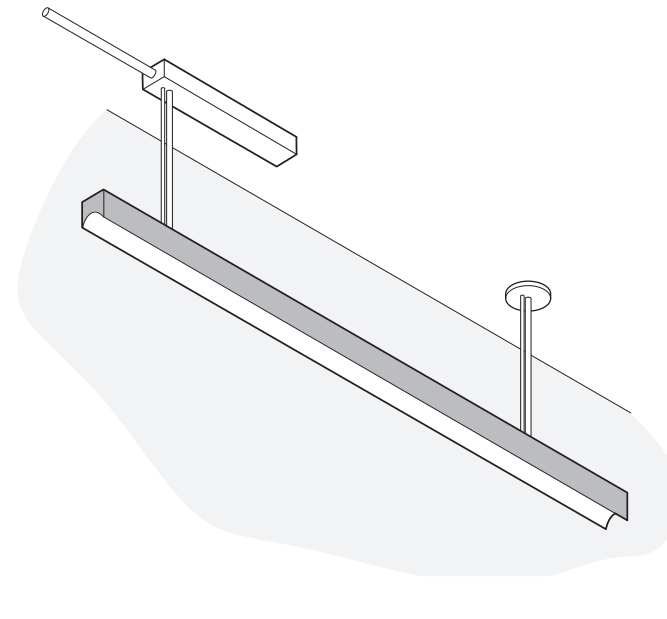
NOMT (NO MOUNT)

Fixture not mounted to remote box



MT (MOUNT)

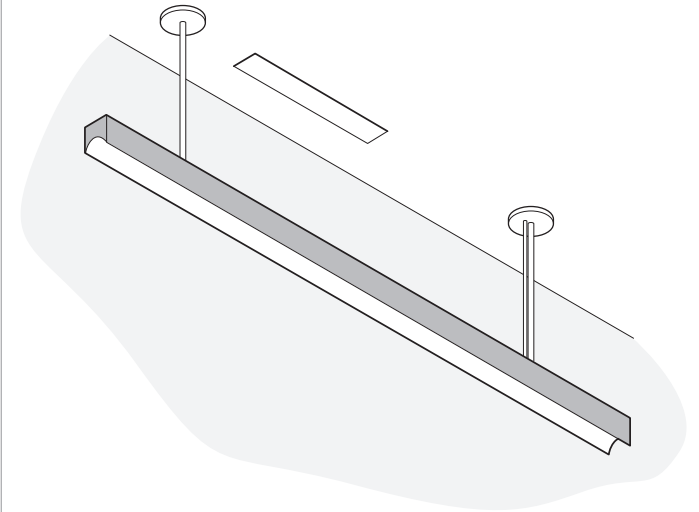
Fixture mounted to remote box



HARD CEILING

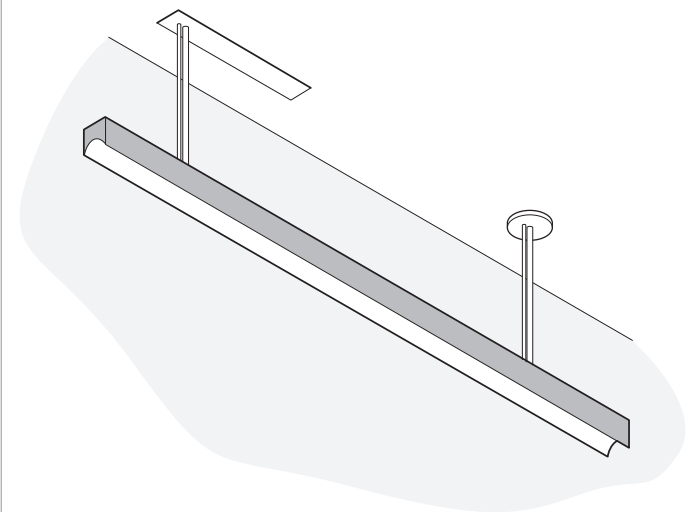
NOMT (NO MOUNT)

Fixture not mounted to remote box



MT (MOUNT)

Fixture mounted to remote box



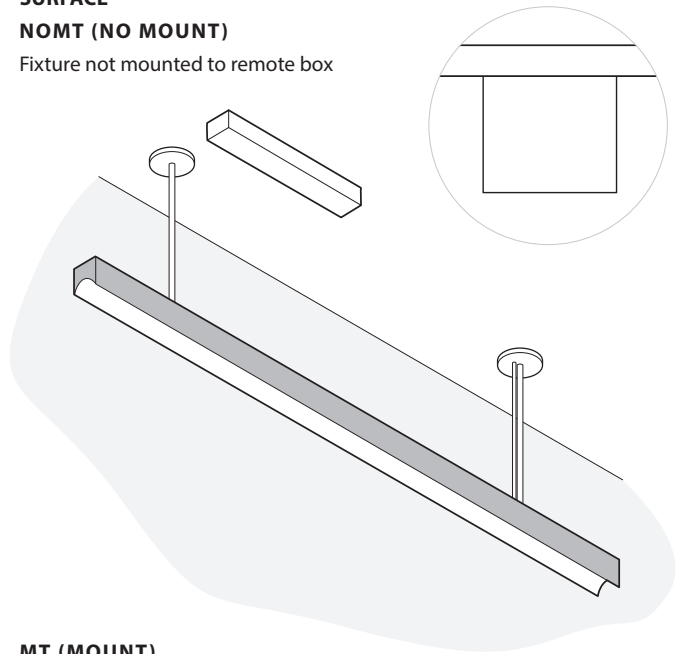
Mounting



SURFACE

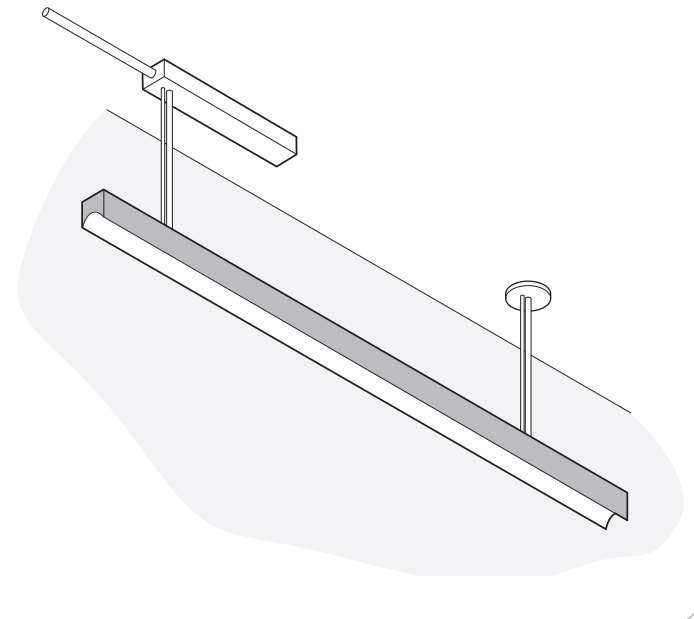
NOMT (NO MOUNT)

Fixture not mounted to remote box



MT (MOUNT)

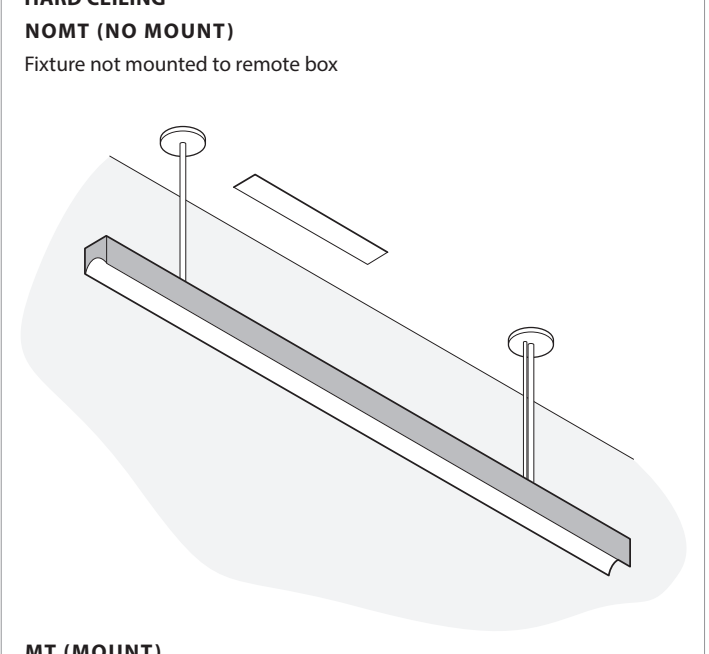
Fixture mounted to remote box



HARD CEILING

NOMT (NO MOUNT)

Fixture not mounted to remote box



MT (MOUNT)

Fixture mounted to remote box

