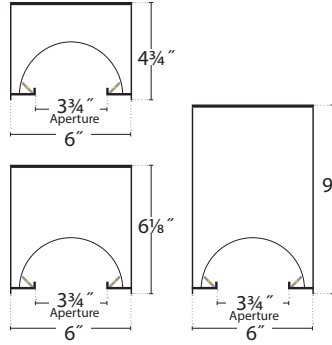


Stream™ Dot Round | Pendant



PRUDENTIAL LTG.

PRULITE.COM 213.746.0360



Radiant light in cylinder pendant.

The sleek, minimalist Round Stream Dot Pendant offers a slightly softer look, complementing other design elements within the space. Thick (frosted or clear) or thin Top Glows offer a range of uplight options including seven brightly colored acrylics.

NOTE: White cord for all except black fixtures (black cord).

RDP-LED35-SO/SO-DDC
 1325 Delivered Lumens
 20.2 Watts
 67 lm/w
 3500 CCT

UP TO 64 LPW

DOWN	LO	MO	SO	HO
lm	325	500	650	850
w	5.2	7.7	10.1	14
UP-DDC				
lm	350	515	675	—
w	5.2	7.7	10.1	—

SMART SPECS



Lumen output may vary +/- 5%
 TG1-CLER, TG2P -5% Up
 TG1-Colors, TG2F -10% Up
 3500K used for lumen chart
 4000K +2% If, 3000K -2%, 2700K -4%

SE-RIES	SIZE	LED COLOR	OUTPUT UP/DOWN	UP-LIGHT	TG1: TOP GLOW COLOR	FIXTURE COLOR	CIRCUITING	VOLT-AGE	MOUNT-ING	ELECTRI-CAL COVER	CANOPY COLOR	CEILING SYSTEMS	REMOTE DRIVER BOX	DRIVERS	OP-TIONS
RDP			—				SC								
Round Dot Pendant	4 4 3/4" 6 6 1/8" 9 9"	LED27 2700K, 90 CRI LED3 3000K, 90 CRI LED35 3500K, 90 CRI LED4 4000K, 90 CRI	LO Low (Matches 4" recessed SO) MO Medium SO Standard HO High (NA Indirect) PROG Programmable Light Output (Specify desired lumen or watts) NOTE: 4" requires same Down/Up (1 driver fits), Eldo - different Down/Up requires Remote Driver Box	NU No Uplight (Uplight NA HO) DDC* Diffused TG1* Thin 1/8" Top Glow Frosted (SPECIFY TG1 COLOR IN NEXT COLUMN =>) TG2F* Thick 7/8" Top Glow Frosted TG2P* Thick 7/8" Top Glow Polished SUP Surface Mount Uplight (LO only) *NA SUR NOTE: All uplight options include dust cover	SKIP COLUMN IF TG1 IS NOT SPECIFIED CLER Clear (Standard) SNSH Sunshine MAND Mandarin STRW Strawberry LBLU Light Blue LGNA Laguna GRAS Grass KIWI Kiwi	TMW Textured Matte White (Standard) YGW Gloss White YSW Seashell White (Premium color) Y Premium Color CC Custom Color LUXE METALLICS: YBZ Bronze YCP Copper Penny YGN Gold Nugget NOTE: White cord for all except black fixtures (black cord).	SC Single Circuit	UNV (120-277) 347 (Consult factory for Eldo, Lutron)	SSC Top-Swivel Stem Mount (Specify length, consult factory for stems longer than 8', minimum 6') STC48, 96, 144 Stem/Cord (SPECIFY EBCP1G / 2G =>) SUR Surface Mount (Uplight, LO only, 1/2" standoff mandatory) SWM* Sconce Wall Mount SWM† Sconce Exposed Conduit Wall Mount NOTE: To wall mount horizontally, specify SUR and X3, 4" only † Wall sconce is only available at 6" and 9"	EBCP1G Single Gang (Electrical Box Cover Plate/ Mud Ring) EBCP2G Dual Gang (Electrical Box Cover Plate/ Mud Ring)	TMW Textured Matte White (Standard) YGW Gloss White YSW Seashell White (Premium color) Y Premium Color CC Custom Color	X1 T-Bar 'On Tee' Pendant XTP T-Bar 'Off Tee' Pendant X3 Hard Ceiling Pendant EXCP Exposed Conduit Ceiling	SKIP COLUMN IF REMOTE BOX IS NOT NEEDED X1 P T-Bar 1 1/16" or 9/16" (NA Surface mount) X3 P/S Hard Ceiling P: Plenum Access Required S: Mounted Separately (See page 6) SUR1 Remote Box Surface Mount for Open Ceilings (See page 6)	ND Non-Dimming DM01 0-10v, 1% Dimming (Standard) LDE1 Lutron Hi-lume 1% EcoSystem LED (Soft fade on, fade-to-black dimming) ECO 1% 0-10v, EldoLED (Logarithmic dimming std) ECDA 1% DALI, EldoLED (Logarithmic dimming std) SOLO 0.1% 0-10v, EldoLED (Dim-to-dark, Logarithmic dimming std) SODA 0.1% DALI, EldoLED (Dim-to-dark, Logarithmic dimming std)	EML Emergency Battery (EML not available in certain configurations) NOTE: RTK kit required ADC Acrylic Dust Cover (Uplight standard. Downlight optional, ships installed)

Stream™ Dot Round | Pendant



PRUDENTIAL LTG.

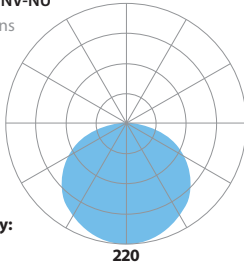
PRULITE.COM 213.746.0360

DIRECT

Standard Output:

RDP-6-LED35-SO-NU-UNV-NU

648 Delivered Lumens
 10 Watts
 64 lm/w
 3500 CCT



Zonal Lumen Summary:

0-90 (Down) = 100%
 90-180 (Up) = 0%

Vertical Angle	0°	25°	45°	65°	90°
0°	220	220	220	220	220
10°	216	216	216	216	216
20°	205	205	205	205	205
30°	189	188	188	188	188
40°	167	167	166	165	165
50°	140	140	139	138	138
60°	108	108	107	106	106
70°	70	70	68	68	68
80°	3	2	2	2	2
90°	0	0	0	0	0

LUMEN MAINTENANCE

Designed to last with cool running mid-power LEDs projected to maintain 90% (L90) of their initial output for 100,000 hours (at HO), and L70 exceeding 150,000 hours.

LED SYSTEM

LED modules and drivers are field replaceable.

PROG

(OPTIONAL)

Specify desired lumens or watts per fixture. Round Dot min: 5 watts, max: 35 watts. Square Dot min: 5 watts, max: 34 watts.

LABELS

ETL damp labeled and I.B.E.W. manufactured.

ELECTRICAL

Must specify LED dimming controls. LED fixtures have constant current driver(s) with less than 20% THD when loaded to a minimum of 60%. Drivers sink a maximum of 6mA per driver. DM01 LED drivers are 0-10V dimmable and are compatible with most 0-10V wall slide dimmers and direct 0-10V analog signal dimmers.

CONSTRUCTION

Housing

Extruded aluminum >25% PC recycled, 100% recyclable, PAF: Paint after fab and aluminum trim

WARRANTY

Single-source, 5 year limited warranty covers standard components and construction

Stream™ Dot Round | Pendant



PRUDENTIAL LTG.

PRULITE.COM 213.746.0360

FINISH COLORS

STANDARD:

TMW — Textured Matte White	YGW — Gloss White
----------------------------	-------------------

PREMIUM:

YSW — Seashell White (Matte)	YRG — Rain Grey (Gloss)
YPE — Pewter (Matte)	YSTM — Storm Grey (Matte)
YBK — Black (Matte)	YBB — Black (Semi Gloss)
YSKM — Sky (Matte)	YMB — Military Blue (Matte)
YSAM — Sapphire (Matte)	YIB — Interstate Blue (Matte)
YBR — Bronze (Matte)	YSRM — Sunset Red (Matte)
YOR — Orange (Matte)	YGAM — Daffodil (Matte)
YFGM — Forest Green (Matte)	YSL — Silver (Metallic)

LUXE METALLICS:

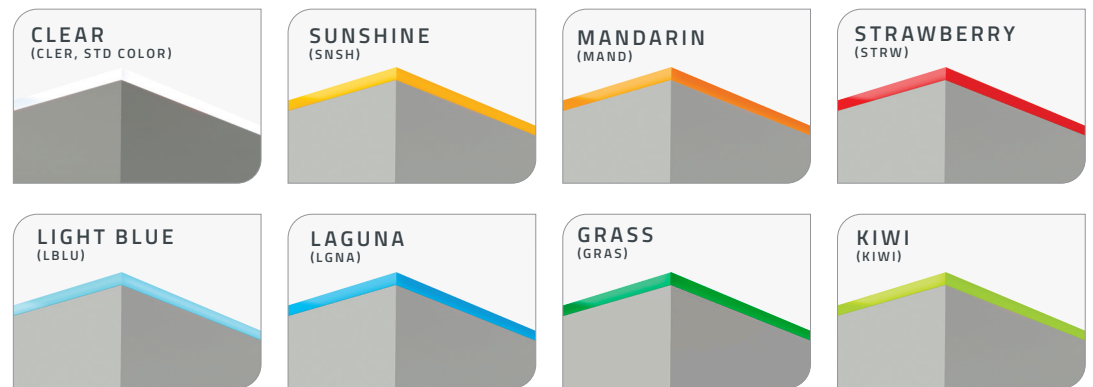
YCP — Copper Penny (Metallic)	YGN — Gold Nugget (Metallic)
YBZ — Bronze (Metallic)	

Choose from one of our Premium Colors with no set-up fee.

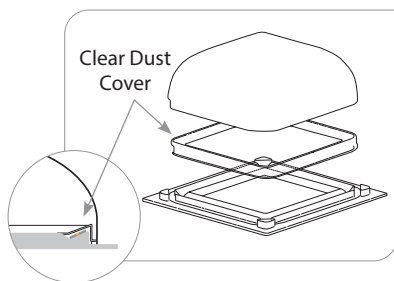
For paint chip samples, please email: info@prulite.com



TG1 — THIN TOP GLOW COLORS



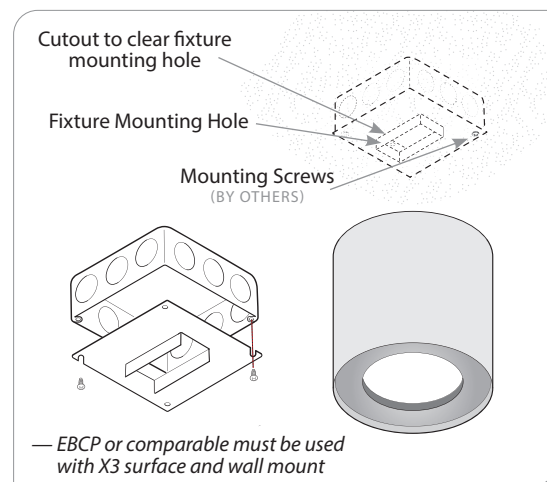
ADC — ACRYLIC DUST COVER



TG2 — THICK 7/8" TOP GLOW



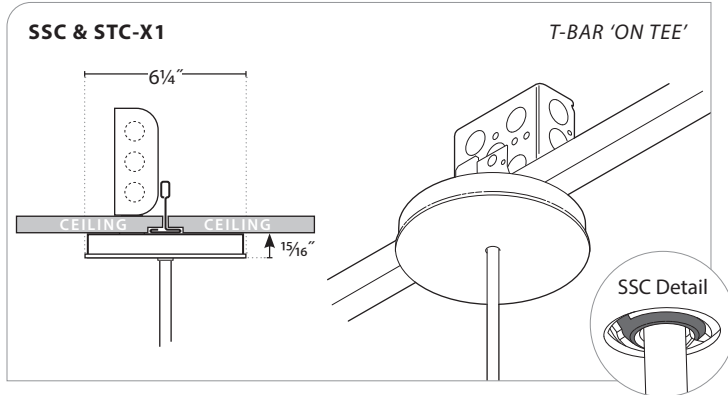
EBCP — ELECTRICAL BOX COVER PLATE



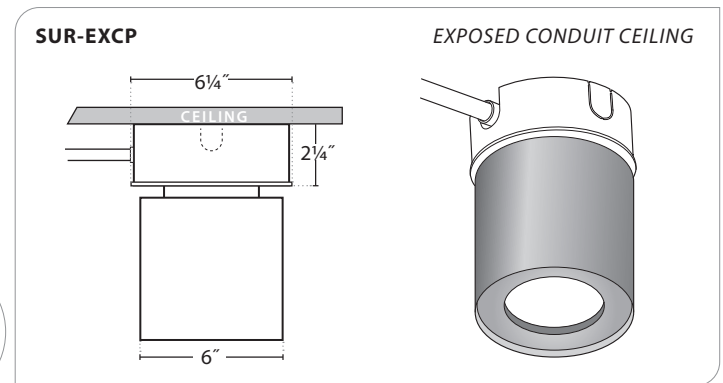
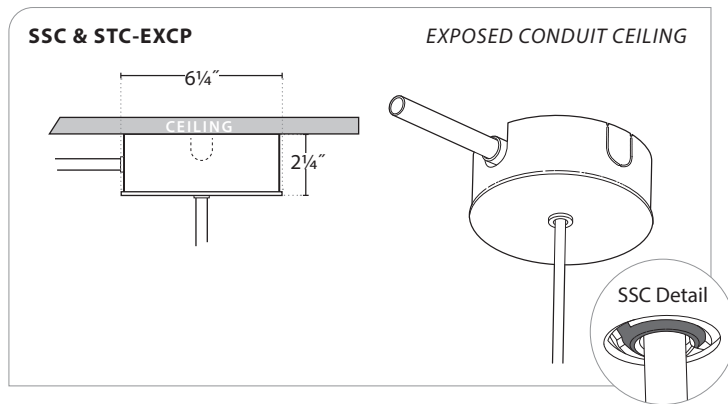
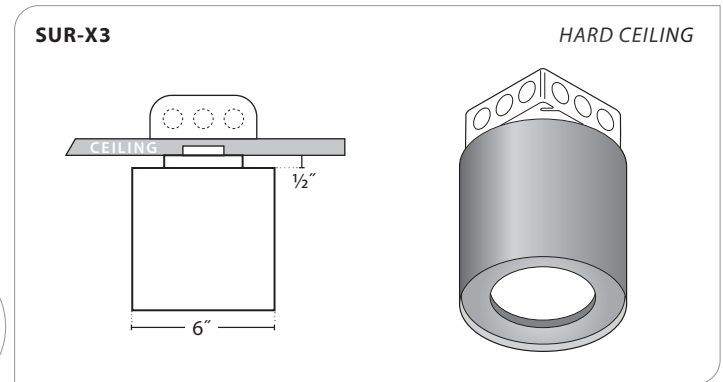
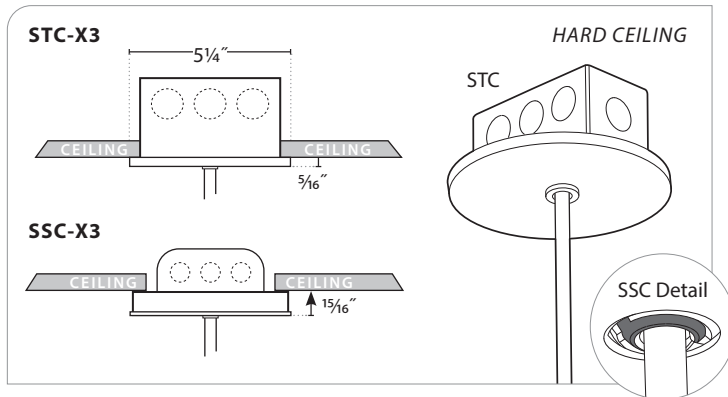
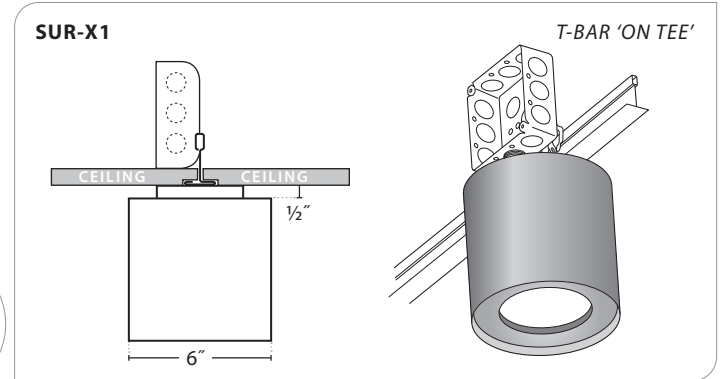
OPTIONAL ELECTRICAL BOX COVERS
7/8" Dia. K.O. will accommodate 2"x 4" or 4"x 4" J-Box



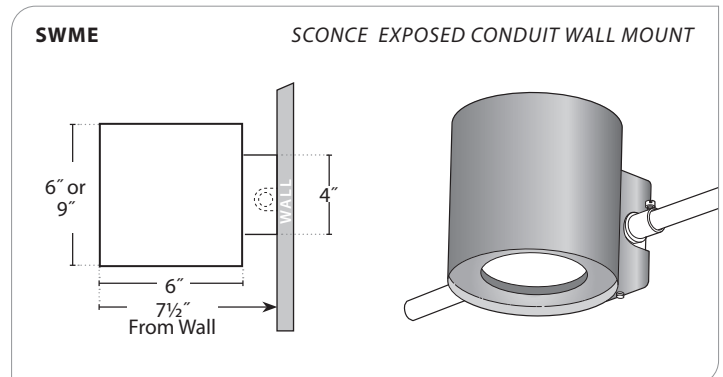
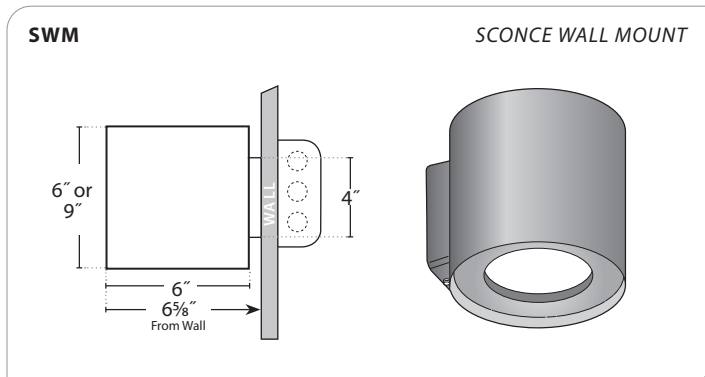
STEM / CORD



SURFACE

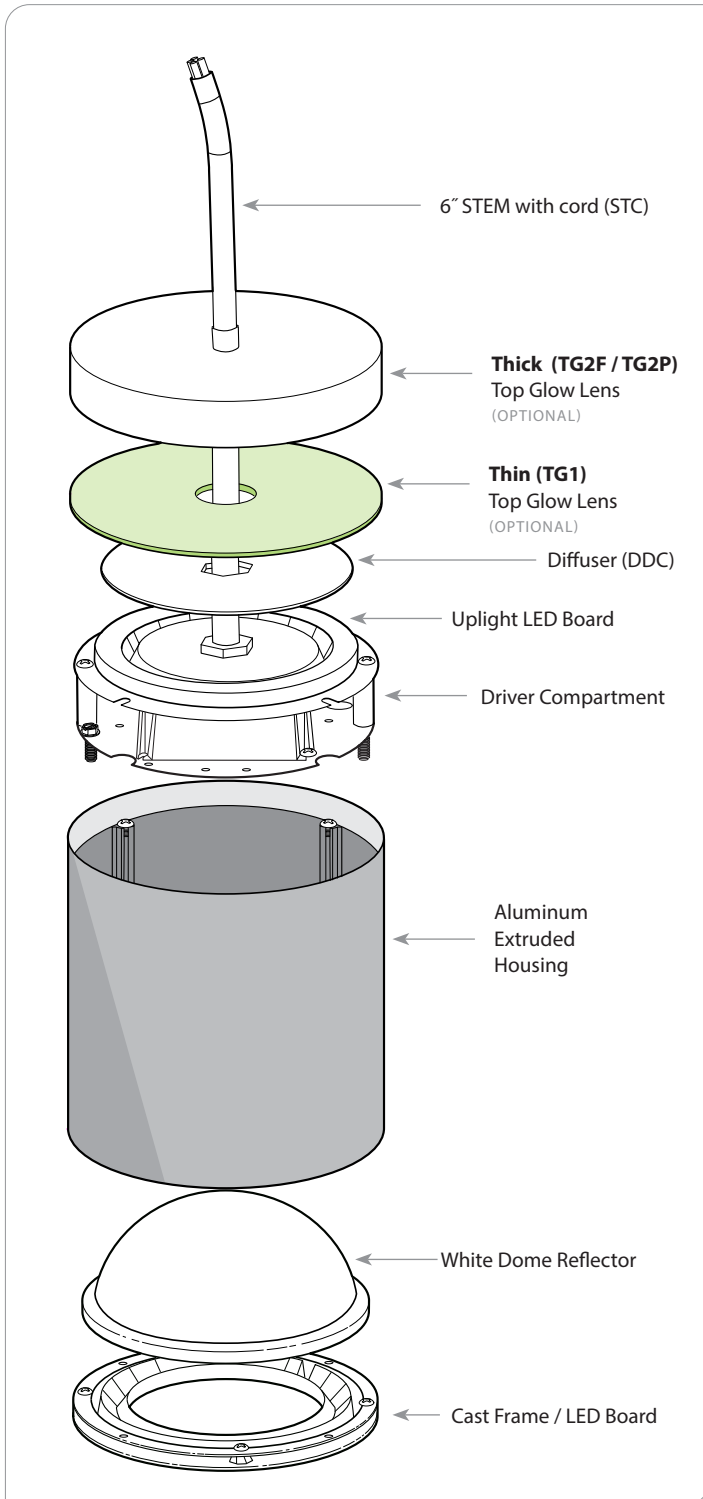


WALL





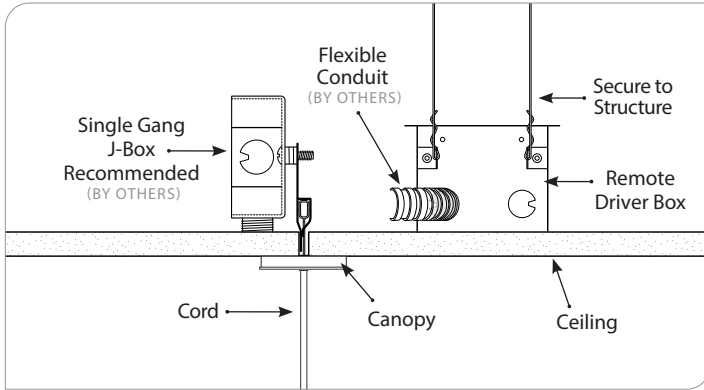
EXPLODED VIEW



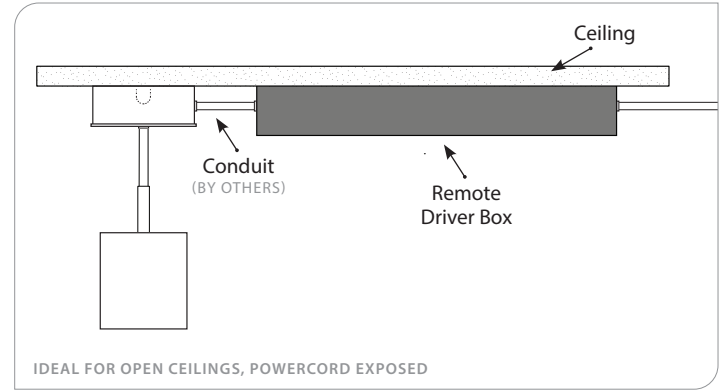


REMOTE BOX DRIVERS

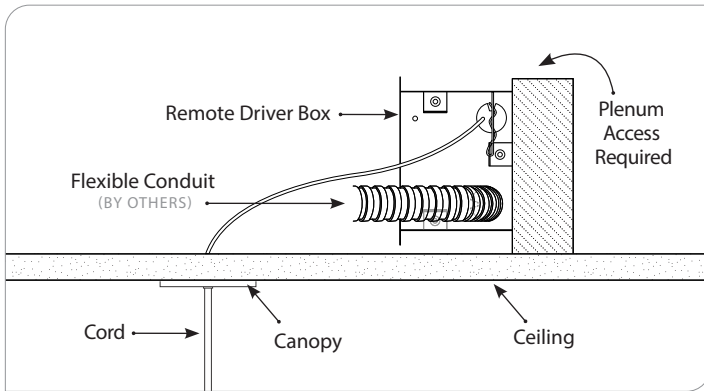
X1P: T-Bar (Plenum Access Required)



SUR1: Remote Box Mounting with EXCP



X3P: Hard Ceiling (Plenum Access Required)



X3S: Hard Ceiling (Inaccessible Plenum)

