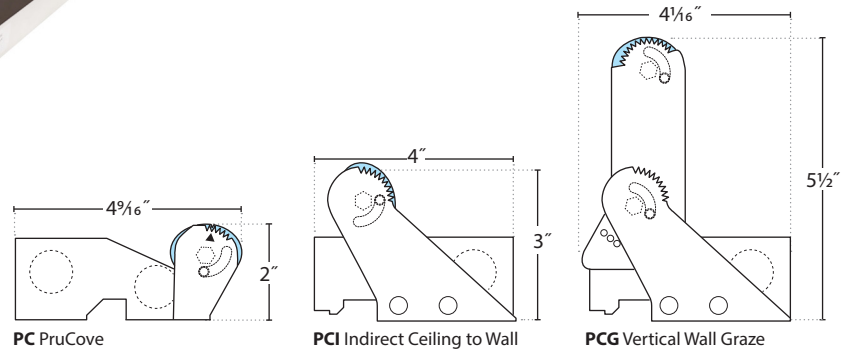


PruCove™ | Cove & Perimeter Integral



PRUCOVE VIDEO



Performance asymmetric in miniature scale. Uniform, asymmetric throw creates a beautiful, wide-spread gradient from discrete sized coves.

- Fully rotatable optics with vertical wall graze capability (PCG).
- Soft backlight ensures no shadow in cove.
- Remote (see separate spec sheet) & integral driver options.
- Armstrong Axiom compatible.

	PC-LED35-LO 1445 Delivered Lumens 18 Watts 79 lm/w
	PCI-LED35-LO 1653 Delivered Lumens 18 Watts 90 lm/w
	PCG-LED35-LO 1654 Delivered Lumens 18.3 Watts 90 lm/w

UPTO 90 LPW

PC:	LO	MO	SO	HO
lm/ft	360	540	675	750
w/ft	4.6	6.5	9.5	11
PCI:	LO	MO	SO	HO
lm/ft	410	625	850	950
w/ft	4.6	6.5	9.5	11
PCG:	LO	MO	SO	HO
lm/ft	410	625	850	950
w/ft	4.6	6.5	9.5	11



Declare.



Made in the USA

Lumen output may vary +/- 5%
3500K used for lm/ft estimates above
4000K +2% llf, 3000K -2%, 2700K -4%
-10% LLF for 90 CRI (4K, 3500K and 3K)

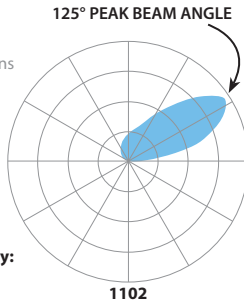
SERIES	LED COLOR	OUTPUT	NOMINAL LENGTH	CIRCUITING	VOLTAGE	DRIVERS	OPTIONS & CONTROLS
				SC			
PC PruCove (Armstrong Axiom Compatible)	LED27 2700K (90CRI)	LO Low	1' (1' Unit acts as a Satellite, no integral driver)	SC Single Circuit	UNV (120-277)	ND Non-Dimming	EMHE* CAT20 Emergency Battery (900 delivered lumens; CA Title 20 compliant)
PCI Indirect Ceiling to Wall	LED3 3000K	MO Medium	2'		347 (Emergency battery requires a Step Down transformer)	DM01 0-10v, 1% Dimming	ETS-DR* Iota ETS-DR Emergency Transfer Switch (For generators)
PCG Vertical Wall Graze	LED35 3500K	SO Standard	3'			LDE1 Lutron Hi-lume 1% EcoSystem LED (Soft fade on, fade-to-black dimming)	* <4' Remote only ENTIRE FIXTURE MUST BE EMERGENCY
ALL CONFIGURATIONS ARMSTRONG AXIOM COMPATIBLE	LED4 4000K	HO High	4'			ECO 1% 0-10v, EldoLED (Logarithmic dimming std)	EMC Emergency Circuiting
	LED3-90 90CRI	PROG Programmable Light Output (Specify desired lm/ft or w/ft)	5'			ECDA 1% DALI, EldoLED (Logarithmic dimming std)	BUILD-YOUR-OWN-COVE TRIM: KE Knife Edge Trim SE Straight Edge Trim SPECIFY CONFIGURATIONS BELOW ↓
	LED35-90 90CRI		6'			SOLO 0.1% 0-10v, EldoLED (Dim-to-dark, Logarithmic dimming std)	
	LED4-90 90CRI		7'			SODA 0.1% DALI, EldoLED (Dim-to-dark, Logarithmic dimming std)	
			8'				
			R (1' increments)				

SERIES	BUILD-YOUR-OWN-COVE TRIM	NOMINAL LENGTH
PC PruCove (Armstrong Axiom Compatible)	KE Knife Edge Trim	4'
PCI Indirect Ceiling to Wall	SE Straight Edge Trim	8'
PCG Vertical Wall Graze		



PC PRUCOVE

Low Output:
PC/PCI-LED35-LO
 1445 Delivered Lumens
 18 Watts
 79 lm/w
 Test No.
 104160270LAX-001D

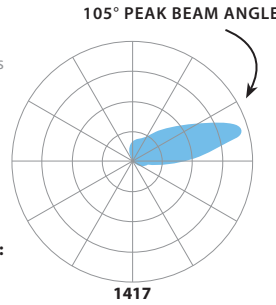


Zonal Lumen Summary:
 0-90 = 0%
 90-180 = 100%

Vertical Angle	0°	22.5°	45°	67.5°	90°
0°	0	0	0	0	0
5°	0	0	0	0	0
15°	0	0	0	0	0
25°	0	0	0	0	0
35°	0	0	0	0	0
45°	0	0	0	0	0
55°	0	0	0	0	0
65°	0	0	0	0	0
75°	0	0	0	0	0
85°	19	17	12	0	0
90°	35	34	26	0	0
95°	248	252	175	61	0
100°	502	500	318	91	23
105°	746	706	384	122	40
110°	884	836	425	152	60
115°	1014	930	443	177	81
125°	1102	895	430	213	124
135°	849	683	403	240	166
145°	612	531	371	256	202
155°	447	405	324	266	232
165°	326	314	291	272	254
175°	278	276	272	270	266
180°	263	263	263	263	263

PCI INDIRECT CEILING TO WALL

Low Output:
PCI-LED35-LO
 1653 Delivered Lumens
 18 Watts
 90 lm/w
 Test No.
 104160270LAX-002

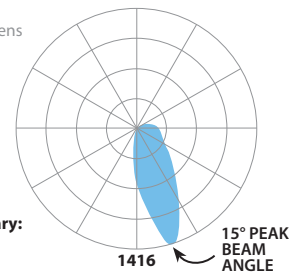


Zonal Lumen Summary:
 0-90 = 17%
 90-180 = 83%

Vertical Angle	0°	22.5°	45°	67.5°	90°
0°	0	0	0	0	0
5°	0	0	0	0	0
15°	0	0	0	0	0
25°	12	0	0	0	0
35°	28	22	0	0	0
45°	49	42	19	0	0
55°	76	65	37	0	0
65°	130	112	64	14	0
75°	279	244	128	24	0
85°	561	521	257	46	0
90°	722	723	314	63	0
95°	918	960	342	84	0
100°	1211	1110	350	105	17
105°	1417	1069	345	124	30
110°	1314	921	335	140	45
115°	1090	758	322	152	60
125°	730	554	300	174	92
135°	524	426	271	194	123
145°	366	320	252	211	151
155°	288	273	249	223	176
165°	262	258	245	224	194
175°	231	227	221	214	206
180°	204	204	204	204	204

PCG VERTICAL WALL GRAZE

Low Output:
PCG-LED35-LO
 1654 Delivered Lumens
 18.3 Watts
 90 lm/w
 Test No.
 LM-63-2002



Zonal Lumen Summary:
 0-90 = 0%
 90-180 = 100%

Vertical Angle	0°	22.5°	45°	67.5°	90°
0°	721	721	721	721	721
5°	916	903	859	793	721
15°	1416	1310	1178	973	721
25°	1091	1026	1079	1067	676
35°	731	672	714	744	495
45°	524	487	451	415	314
55°	367	344	297	268	202
65°	288	264	237	178	91
75°	263	237	184	118	205
85°	231	205	145	75	14
90°	204	181	123	52	0
95°	180	155	105	44	0
100°	150	129	87	35	0
105°	124	109	68	26	0
110°	105	89	56	17	0
115°	86	74	46	12	0
125°	58	50	29	4	0
135°	39	33	19	0	0
145°	25	21	0	0	0
155°	13	11	0	0	0
165°	0	0	0	0	0
175°	0	0	0	0	0
180°	0	0	0	0	0



LUMEN MAINTENANCE

Designed to last with cool running mid-power LEDs projected to maintain 90% (L90) of their initial output for 100,000 hours (at HO), and L70 exceeding 150,000 hours.

LED SYSTEM LED modules and drivers are field replaceable.

PROG
(OPTIONAL) Programmable light output. Specify desired lumens or watts per linear foot. Min: 2.5 w/ft, consult factory for requests above 10.5 w/ft.

BINNING Prudential Ltg's exclusive 'job binning' method that ensures color temperature consistency across all luminaires on a project. Meticulously testing and labeling **EVERY LED BOARD** to +/- 25 lumens, +/- 50k CCT and +/- .004 Duv — while also separating positive from negative — allows us to match color, hue and intensity throughout a project and provides a consistent color temperature within a 2-step MacAdams ellipse

LABELS CSA and ETL damp labeled and I.B.E.W. manufactured.

ELECTRICAL Must specify LED dimming controls. LED fixtures have constant current driver(s) with less than 20% THD when loaded to a minimum of 60%. Drivers sink a maximum of 6mA per driver. DM01 LED drivers are 0-10V dimmable and are compatible with most 0-10V wall slide dimmers and direct 0-10V analog signal dimmers. Max driver size 1.25" w x 1" h.

CONSTRUCTION

Housing Extruded aluminum >25% PC recycled and 20-Gauge Steel >25% PC recycled, >100% recyclable.

End Caps 16-Gauge Steel >25% PC recycled, 100% recyclable.

Lens Extruded acrylic TIR and prismatic dual lens with PruOptics™, 100% recyclable.

Extrusions
(OPTIONAL) Knife Edge and Straight Edge aluminum extrusion, non-painted.

LABELS ETL damp labeled and I.B.E.W. manufactured.

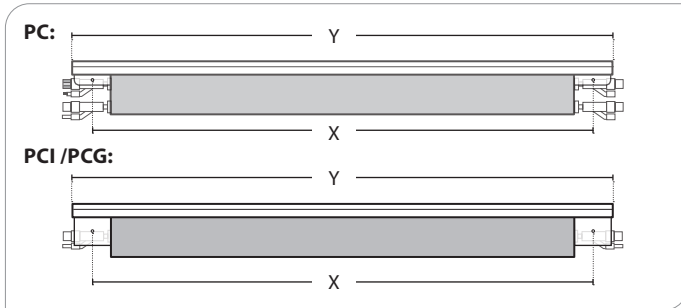
MOUNTING Surface mounted to walls or ceilings in concealed coves.

WEIGHT 2 lbs/ft.

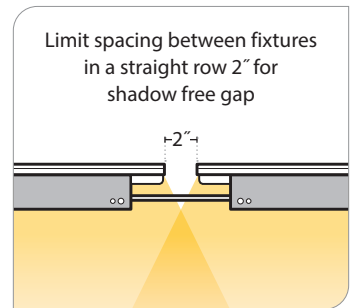
WARRANTY Single-source, 5 year limited warranty covers standard components and construction.



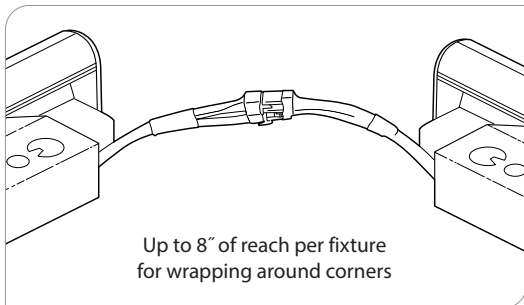
MOUNTING OPTIONS



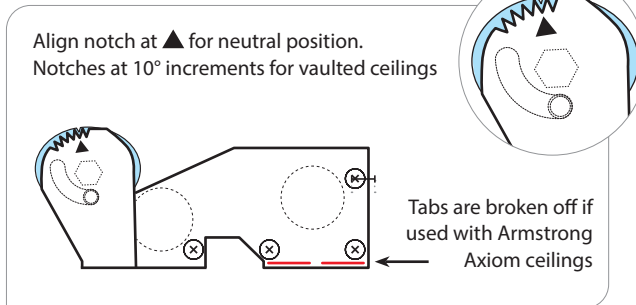
	'Y' FIXTURE LENGTH	'X' MOUNTING
1' =	1' 9/16"	9 1/8"
2' =	2' 9/16"	21 1/8"
3' =	3' 9/16"	33 1/8"
4' =	4' 9/16"	45 1/8"
5' =	5' 9/16"	57 1/8"
6' =	6' 9/16"	69 1/8"
7' =	7' 9/16"	81 1/8"
8' =	8' 9/16"	93 1/8"



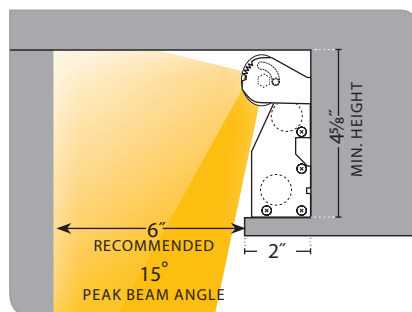
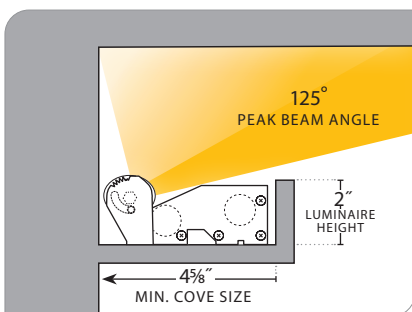
QUICK-CONNECT



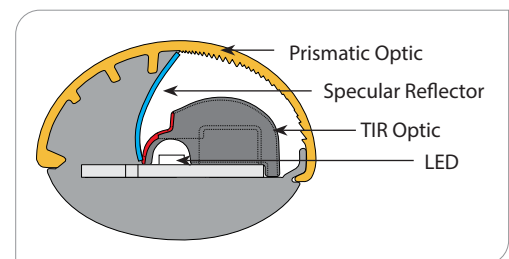
ADJUSTABILITY



INSTALLATION HEIGHT



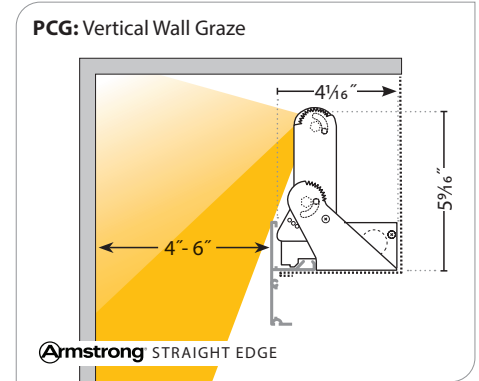
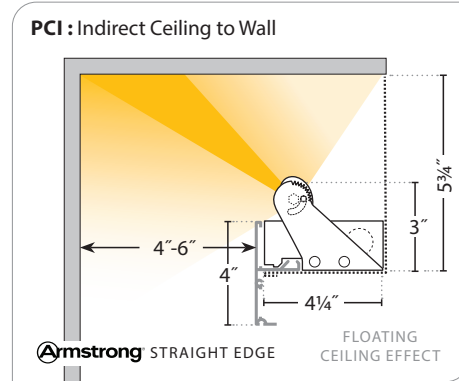
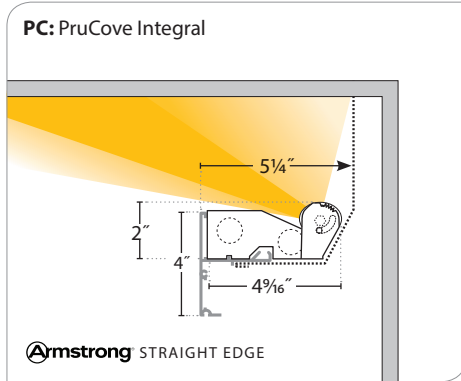
LIGHT ENGINE — OPTICAL COMPONENTS



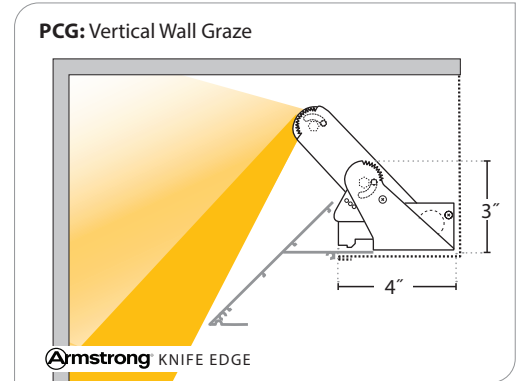
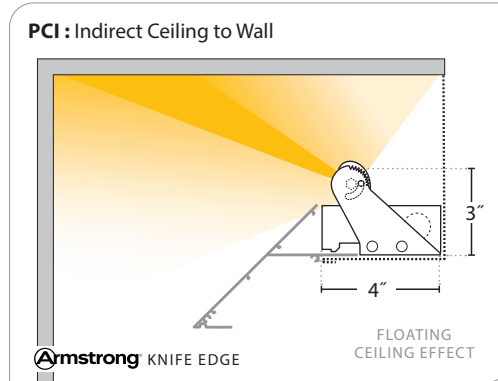
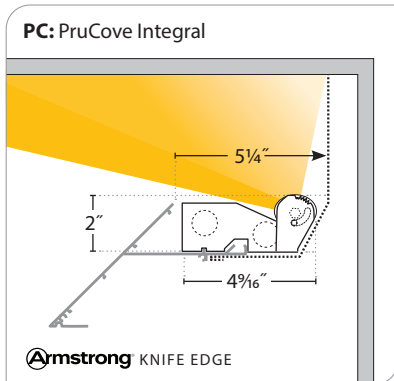


Armstrong® AXIOM COMPATIBLE

STRAIGHT EDGE:

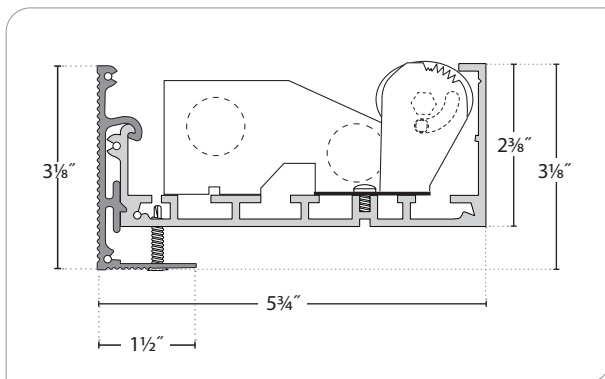


KNIFE EDGE:

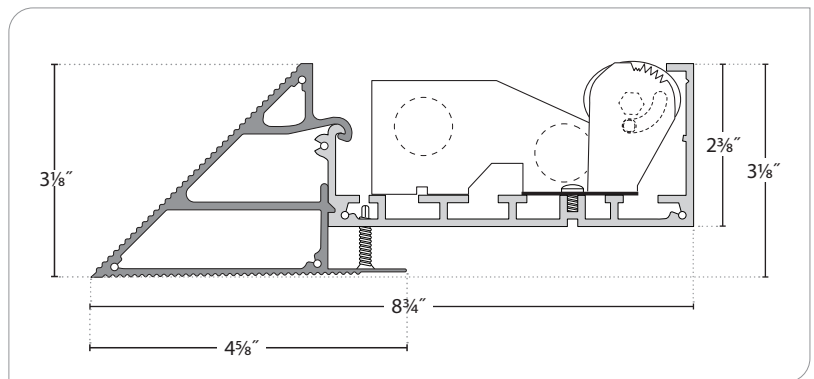


PRU BUILD-YOUR-OWN-COVE TRIM

STRAIGHT EDGE (SE)



KNIFE EDGE (KE)



NOTE: Use 5/8" drywall with PRU KE and SE extrusions.
Two piece extrusion. See installation instructions for included parts.
Knife Edge and Straight Edge aluminum extrusion, non-painted.

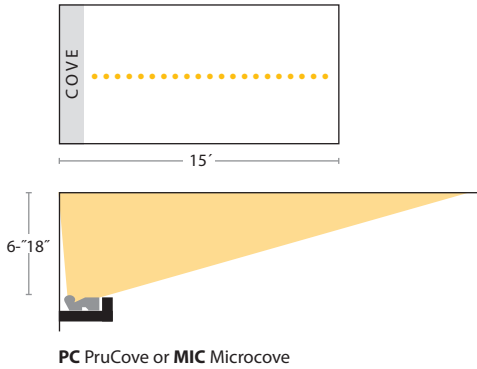
[CLICK HERE FOR INSTALLATION INSTRUCTIONS](#)

See page 6 for footcandle studies at different ceiling heights



PruCove vs. MicroCove

A comparison of footcandle distributions on the ceiling.



	WATTS/FT	COVE HEIGHT	AVERAGE ILLUMINANCE (CEILING)
PruCove	4.6	6"	21.4
		9"	20.7
		12"	19.7
		18"	18.9
MicroCove	4.6	9"	14.7
		12"	15.5
		18"	15.8

LOW OUTPUT (4000K, 5W/FT)– FOOTCANDLE VALUES ON CEILING (EVERY FOOT)

COVE HEIGHT:

6" PruCove

COVE	90	58	24	7	4	3	3	3	2	2	2	2	2	2	1
------	----	----	----	---	---	---	---	---	---	---	---	---	---	---	---

9" PruCove

COVE	84	57	28	11	7	4	3	3	2	2	2	2	2	2	1
------	----	----	----	----	---	---	---	---	---	---	---	---	---	---	---

MicroCove

COVE	54	49	40	29	19	11	6	4	3	2	2	2	2	2	1
------	----	----	----	----	----	----	---	---	---	---	---	---	---	---	---

12" PruCove

COVE	85	46	20	11	7	5	4	3	3	2	2	2	2	2	2
------	----	----	----	----	---	---	---	---	---	---	---	---	---	---	---

MicroCove

COVE	64	48	31	18	12	8	6	4	3	3	2	2	2	2	2
------	----	----	----	----	----	---	---	---	---	---	---	---	---	---	---

18" PruCove

COVE	72	54	32	18	12	8	6	4	3	3	2	2	2	2	2
------	----	----	----	----	----	---	---	---	---	---	---	---	---	---	---

MicroCove

COVE	54	51	44	33	23	16	11	8	6	5	4	3	3	2	2
------	----	----	----	----	----	----	----	---	---	---	---	---	---	---	---

