



# Pru15 | Linear



PRUDENTIAL LTG.

PRULITE.COM 213.746.0360



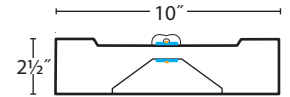
Pru15-SQ



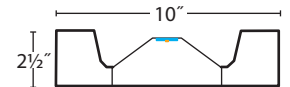
Pru15-R

Type:

Job:



D3 - 2 row of LEDs  
Configurable Down/Up



D9 - 1 row of LEDs  
17 Up, 83 Down

UPTO 106 LPW

D3 — at 53% Uplight, 47% Down (LO/LO, etc.)

	LO	MO	SO	HO
lm/ft	725	975	1300	1700
w/ft	7	9.3	13	17

D1 — Down only

lm/ft	340	465	600	750
w/ft	3.5	4.6	7	10

D9 — 17 Up, 83 Down

lm/ft	365	500	720	935
w/ft	3.5	4.6	7	10



## Control down and uplight separately.

Control the amount of Down vs. Up light separately by specifying different outputs (eg. LO Down/HO Up) and/or Dual Circuit (DC) dimming controls; 20 down/80 up, 80 down/20 up or anywhere in between is easily attained. Control down and uplight separately with DC, turning off the Down and leaving the Up dimmed for projector usage. It's all about control.

**PRU15-LED4-LO-SAL-D3**

- 3202 Delivered Lumens
- 34.1 Watts
- 94 lm/w

WA: .05 LLF when using SAL IES

Lumen output may vary +/- 5%  
4000K used for lm/ft estimates above  
3500K -2% llf, 3000K -4%, 2700K -6%  
-10% LLF for 90 CRI (4K, 3500K and 3K)

See LED Details PDF for more info

Declare.



Made in the USA

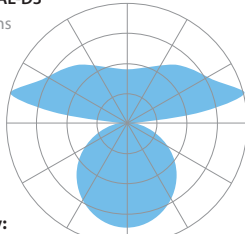
SERIES	STYLE	LED COLOR	OUTPUT	NOMINAL LENGTH	SHIELDING	COLOR/FINISH	DISTRIBUTION	CIRCUITING	VOLTAGE	MOUNTING	CEILING SYSTEMS	DRIVERS	OPTIONS & SENSORS
PRU15			-										
	SQ Square R Round	LED27 2700K (90CRI) LED3 3000K LED35 3500K LED4 4000K LED3-90 90CRI LED35-90 90CRI LED4-90 90CRI	LO Low MO Medium SO Standard HO High PROG Programmable Light Output (Specify desired lm/ft or w/ft) NOTE for D3: Specify separate output Down / Up if desired eg. HO/LO.	4' 8' R (Row Length in 4' increments only) NOTES: Individual fixtures are NOT intended for row mounting Row lengths are typically made up of 8' and 4' fixtures (8' come standard in long rows) unless symmetric row lengths are requested.	SAL Satin Acrylic Lens WA White Acrylic Lens (Standard) WA: .05 LLF when using SAL IES	TMW Textured Matte White (Standard) YSW Seashell White (Matte) (Premium color) Y Premium Color CC Custom Color NOTE: All canopies are painted the same color as the fixture. Consult factory to specify	D3 Direct/Indirect NOTE: (Adjustable down/up if DC is specified) D1 Direct Solid Top NOTE: Only 1 row of LEDs. D9 Semi-Direct NOTE: Only 1 row of LEDs, 83% Down, 17% Up.	SC Single Circuit DC Dual Circuit (Two feeds required, Control Down & Up Light Separately, D3 only)	UNV (120-277) 347 (Emergency battery requires a Step Down transformer)	CA48", 96" or 144" Aircraft Cable (Adjustable)	X1 T-Bar 1 5/16" or 1 1/4" Exposed (Standard) Consult factory for % Tegalur X3 Hard Ceiling X6 Slot Grid or Interlude	ND Non-Dimming DM01 0-10v, 1% Dimming (Standard) LDE1 Lutron Hi-lume 1% EcoSystem LED (Soft fade on, fade-to-black dimming) ECO 1% 0-10v, EldoLED (Logarithmic dimming std) ECDA 1% DALI, EldoLED (Logarithmic dimming std) SOLO 0.1% 0-10v, EldoLED (Dim-to-dark, Logarithmic dimming std) SODA 0.1% DALI, EldoLED (Dim-to-dark, Logarithmic dimming std)	EMHE CAT20 Emergency Battery (1100 delivered lumens; CA Title 20 compliant)  SENSORS: 205-ON/OFF WattStopper PIR Occupancy 205-STEP: Dim to 50% 205-DM: Dim to 1% LUX Phillips DLH



### D3 — SPECIFY DOWN/UP SEPARATELY

#### Medium Down / Medium Up: PRU15-LED4-MO-MO-SAL-D3

3940 Delivered Lumens  
37 Watts  
106 lm/w  
4000 CCT  
Test #L021502301



#### Zonal Lumen Summary:

0-90 (Down)= 51%  
90-180 (UP) = 49%

688

Vertical Angle	0°	25°	45°	65°	90°
0°	688	688	688	688	688
5°	682	683	685	684	684
15°	648	649	652	651	651
25°	586	588	590	591	589
35°	505	505	508	508	508
45°	408	411	414	415	416
55°	307	311	315	317	318
65°	211	216	223	227	229
75°	113	120	130	138	141
85°	38	43	58	68	73
90°	13	25	46	53	52
95°	22	57	247	298	176
105°	66	109	267	623	841
115°	119	169	258	497	653
125°	176	233	316	493	605
135°	231	284	359	483	567
145°	275	314	376	444	492
155°	318	338	377	412	429
165°	351	359	374	388	397
175°	370	371	374	374	376
180°	373	373	373	373	373

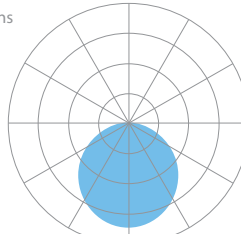
#### D3 Distribution Options - DOWN and UP

	LO/LO	LO/MO	LO/SO	LO/HO
Lm/ft	340/385	340/520	340/690	340/850
w/ft %	7	8.2	10	12
DWN/UP	52/48	45/55	39/61	34/66
	MO/LO	MO/MO	MO/SO	MO/HO
Lm/ft	460/385	460/520	690/460	460/850
w/ft %	8.2	9.3	11.2	13.2
ft %	60/40	53/47	46/54	41/59
	SO/LO	SO/MO	SO/SO	SO/HO
Lm/ft	610/385	615/520	610/690	610/850
w/ft %	10	11.2	13	15
ft %	67/33	60/40	53/47	48/52
	HO/LO	HO/MO	HO/SO	HO/HO
Lm/ft	750/385	750/520	750/690	750/850
w/ft %	12	13.2	15	17
ft %	71/29	58/42	58/42	53/47

### D1 — DOWNLIGHT ONLY

#### Standard Output: PRU15-LED4-SO-SAL-D1

2434 Delivered Lumens  
26 Watts  
94 lm/w  
4000 CCT  
Test #L031506601



#### Zonal Lumen Summary:

0-90 (Down) = 100%

901

Vertical Angle	0°	25°	45°	65°	90°
0°	901	901	901	901	901
5°	894	895	897	897	896
15°	849	850	854	856	852
25°	768	771	773	774	772
35°	661	662	666	666	666
45°	535	538	542	543	545
55°	402	408	412	415	416
65°	277	283	291	297	299
75°	148	157	167	180	185
85°	42	56	75	90	95
90°	17	33	60	69	69

#### Luminance Chart:

Angle	0°	45°	90°
45°	6368	5136	4817
55°	5833	4388	4052
65°	5341	3664	3357
75°	4446	2712	2530
85°	3107	1716	1746

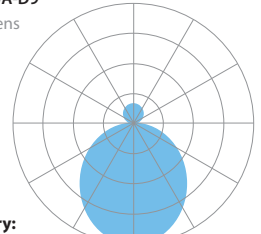
# UPTO 94 LMW

	LO	MO	SO	HO
lm/ft	360	465	600	750
w/ft	3.25	4.6	6.5	8.25

### D9 (ONE ROW OF LEDS)

#### High Up / Low Down: PRU15-LED4-MO-04-WA-D9

1626 Delivered Lumens  
17.2 Watts  
94 lm/w  
4000 CCT  
Test #L0101404401



#### Zonal Lumen Summary:

0-90 (Down) = 84%  
90-180 (Up) = 16%

518

Vertical Angle	0°	25°	45°	65°	90°
0°	518	518	518	518	518
5°	514	514	515	514	514
15°	490	490	490	489	488
25°	447	447	445	442	440
35°	389	388	384	379	376
45°	321	319	313	308	306
55°	246	243	238	233	231
65°	168	166	162	158	157
75°	87	85	83	81	80
85°	22	22	20	19	18
90°	0	0	0	0	0
95°	9	10	9	8	7
105°	21	25	29	28	13
115°	34	33	39	44	46
125°	46	44	47	50	52
135°	58	55	56	57	58
145°	67	61	65	65	65
155°	75	74	73	73	72
165°	81	80	80	79	79
175°	83	84	84	84	84
180°	84	84	84	84	84



Client | HDR Architects Architect | HDR Architects

LUMEN MAINTENANCE

Designed to last with cool running mid-power LEDs projected to maintain 90% (L90) of their initial output for 100,000 hours (at HO), and L70 exceeding 150,000 hours.

LED SYSTEM LED modules and drivers are field replaceable.

PROG (OPTIONAL) Programmable light output. Specify desired lumens or watts per linear foot. Min: 2½ w/ft, consult factory for requests above 12 w/ft.

BINNING Standard binning (all Prudential LED boards) includes testing at the chip level and board integration to provide consistent color temperature within a 3-step MacAdams ellipse, with +/- 5% lumen output range and +/- .004 Duv.

LABELS CSA and ETL damp labeled and I.B.E.W. manufactured.

ELECTRICAL Must specify LED dimming controls. LED fixtures have constant current driver(s) with less than 20% THD when loaded to a minimum of 60%. Drivers sink a maximum of 6mA per driver. DM01 LED drivers are 0-10V dimmable and are compatible with most 0-10V wall slide dimmers and direct 0-10V analog signal dimmers. Max driver size 1¼" w x 1" h.

CONSTRUCTION

Power cord is White except for fixtures painted Black. (YBB, YBK) have Black power cords.

Housing 20-gauge steel, >20% PC recycled, 100% recyclable, PAF, Painted After Fabrication

Lens Acrylic, 100% recyclable.

Weight 6 lbs / ft.

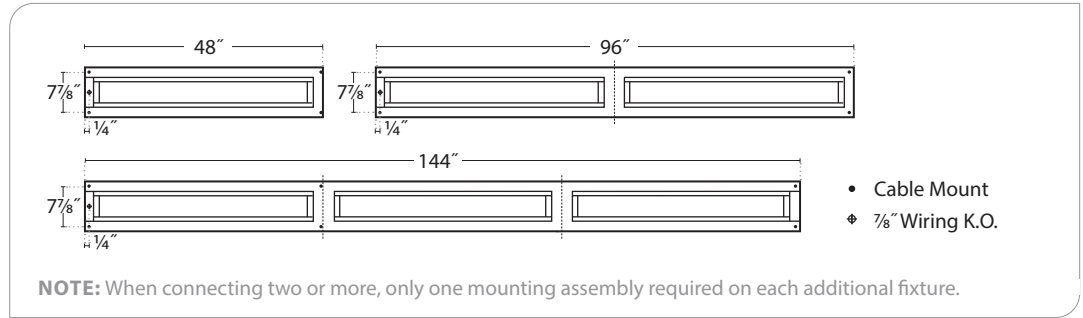
MOUNTING Suspended by adjustable cable.

WARRANTY Single-source, 5 year limited warranty covers standard components and construction.

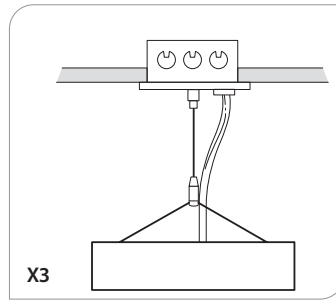
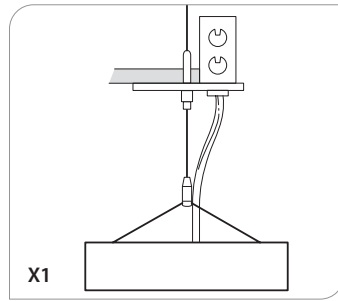


YSW – Seashell White (Matte)	YCH – Champagne (Metallic)
YSL – Silver (Metallic)	YPE – Pewter (Matte)
YRG – Rain Grey (Gloss)	YSTM – Storm Grey (Matte)
YBK – Black (Matte)	YBB – Black (Semi Gloss)
YSKM – Sky (Matte)	YMB – Military Blue (Matte)
YIB – Interstate Blue (Matte)	YSAM – Sapphire (Matte)
YFGM – Forest Green (Matte)	YBR – Bronze (Matte)
YBY – Boysenberry (Matte)	YSRM – Sunset Red (Matte)
YOR – Orange (Matte)	YDAM – Daffodil (Matte)

## MOUNTING LOCATIONS



## CEILING SYSTEMS



## CONTROLS



Choose from one of our Premium Colors with no set-up fee.

For paint chip samples, please email: [info@prulite.com](mailto:info@prulite.com)