

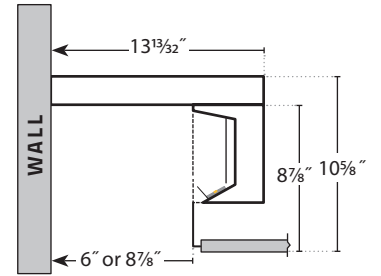
P59 | Cove & Perimeter

Cove-in-a-Box



PRUDENTIAL LTG.

PRULITE.COM 213.746.0360



Our cove-in-a-box can ship assembled for easy installs.

A prefabricated perimeter cove system offering an indirect wall wash effect. Using no louvers, the fixture illuminates walls while giving the ceiling the appearance of floating. Telescoping LED modules along with field trimmable extension kits allow for fully illuminated custom row lengths. Contractor-friendly shipping assembled option (ASMB), P59 becomes the ideal solution to bypass cove VE concerns.

STANDARD OUTPUT:
P59-A6-LED35-LO-04
 2402 Delivered Lumens
 72 Watts
 33 Lm/W

UP TO **72** LPW

	LO	MO	SO	HO
A6: Lm/Ft	315	450	600	700
A9: Lm/Ft	315	450	600	700
W/Ft	4.6	6.5	9.5	11



Lumen output may vary +/- 5%
 3000K used for lm/ft estimates above
 3500K +2% llf, 4000K +4%, 2700K -2%
 -10% llf for 90 CRI (4K, 3500K and 3K)

SERIES	APERTURE	LED COLOR	OUTPUT	NOMINAL LENGTH	REFLECTOR SYSTEM	MOUNTING	CIRCUITING	VOLTAGE	CEILING SYSTEMS	DRIVERS	OPTIONS & CORNERS
P59	A6 6" Aperture A9 9" Aperture	LED27 2700K (90CRI) LED3 3000K LED35 3500K LED4 4000K LED3-90 90CRI LED35-90 90CRI LED4-90 90CRI	LO Low MO Medium SO Standard HO High PROG Programmable Light Output (Specify desired lm/ft or w/ft)	2' 3' 4' 6' 8' R (Row length) NOTE: Individual fixtures are not intended for row mounting	W White	LP Light Pocket WTW Wall to Wall Requires filler fixture at end of row All non nominal lengths require FIELD CUTTABLE filler fixture at end of row	SC Single Circuit	UNV (120-277) 347 (Emergency battery requires a Step Down transformer)	X1 T-Bar ExposedW X3B Hard Ceiling (Flange trim) X7 Hard Ceiling (Concealed flange)	ND Non-Dimming DM01 0-10v, 1% Dimming (Standard) LDE1 Lutron Hi-Lume 1% EcoSystem LED (Soft fade on, fade-to-black dimming) ECO 1% 0-10v, EldoLED (Logarithmic dimming std) ECDA 1% DALI, EldoLED (Logarithmic dimming std) SOLO 0.1% 0-10v, EldoLED (Dim-to-dark, Logarithmic dimming std) SODA 0.1% DALI, EldoLED (Dim-to-dark, Logarithmic dimming std)	EMHE CAT20 Emergency Battery (500 delivered lumens; 4' or longer; CA Title 20 compliant) ADC Acrylic Dust Cover ASMB Fixtures Ship Assembled (Consult factory) CP Chicago Plenum ART Air Return CORNERS: C2I Lit 90° 2-Way Inside C2O Lit 90° 2-Way Outside C2X Special Connector

P59 | Cove & Perimeter

Cove-in-a-Box



PHOTOMETRICS

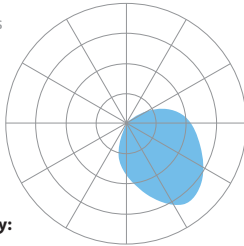
STANDARD OUTPUT:

P59-A6-LED35-LO-04

2402 Delivered Lumens

72 Watts

33 Lm/W



Zonal Lumen Summary:

0-90 = 83%

90-180 = 17%

910

Vertical Angle	0°	22.5°	45°	67.5°	90°
0°	475	475	475	475	475
5°	539	535	521	502	468
15°	680	661	605	527	449
25°	812	775	678	545	413
35°	910	867	732	548	364
45°	901	857	751	532	302
55°	865	814	696	502	229
65°	816	758	626	433	149
75°	769	704	552	341	68
85°	724	657	489	255	6
90°	707	639	467	222	0
95°	665	594	424	174	0
105°	512	440	262	30	0
115°	241	150	110	2	0
125°	161	27	6	0	0
135°	11	7	0	0	0
145°	0	0	0	0	0
155°	0	0	0	0	0
165°	0	0	0	0	0
175°	0	0	0	0	0
180°	0	0	0	0	0

LUMEN MAINTENANCE

Designed to last with cool running mid-power LEDs projected to maintain 90% (L90) of their initial output for 100,000 hours (at HO), and L70 exceeding 150,000 hours.

LED SYSTEM LED modules and drivers are field replaceable.

PROG (OPTIONAL) Programmable light output. Specify desired lumens or watts per linear foot. Min: 2½ w/ft, consult factory for requests above 12 w/ft.

BINNING Standard binning (all Prudential LED boards) includes testing at the chip level and board integration to provide consistent color temperature within a 3-step MacAdams ellipse, with +/- 5% lumen output range and +/- .004 Duv.

LABELS CSA and ETL damp labeled and I.B.E.W. manufactured.

ELECTRICAL Must specify LED dimming controls. LED fixtures have constant current driver(s) with less than 20% THD when loaded to a minimum of 60%. Drivers sink a maximum of 6mA per driver. DM01 LED drivers are 0-10V dimmable and are compatible with most 0-10V wall slide dimmers and direct 0-10V analog signal dimmers. Max driver size 1.65" w x 1.25" h.

CONSTRUCTION

Housing 20-gauge steel, >20% PC recycled, 100% recyclable.

Trim Extruded aluminum, >25% PC recycled, 100% recyclable.

Weight 9 lbs/ft.

MOUNTING Recessed into drywall or T-bar ceilings.

WARRANTY Single-source, 5 year limited warranty covers standard components and construction.

P59 | Cove & Perimeter

Cove-in-a-Box

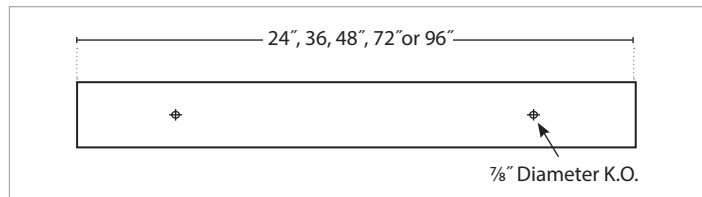


PRUDENTIAL LTG.

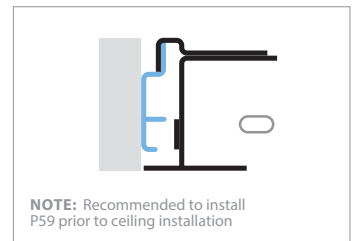
PRULITE.COM 213.746.0360



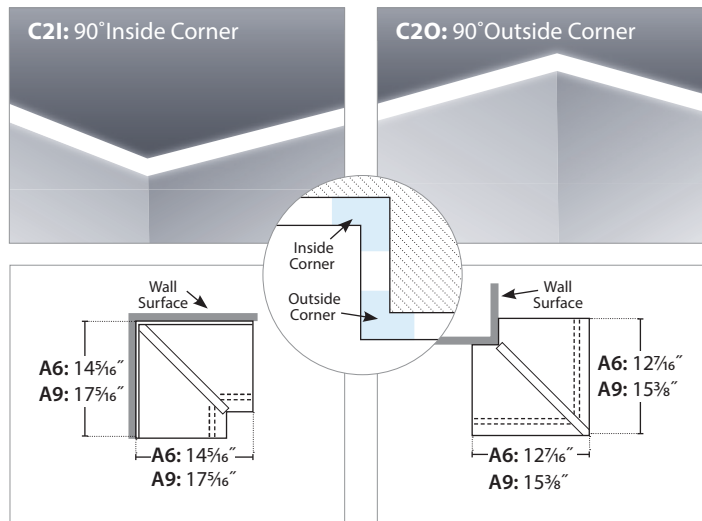
MOUNTING LOCATIONS



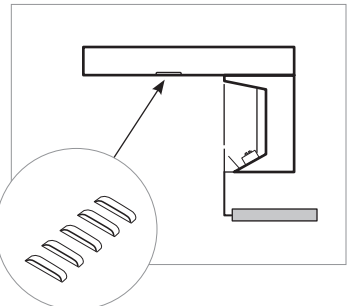
MOUNTING DETAIL



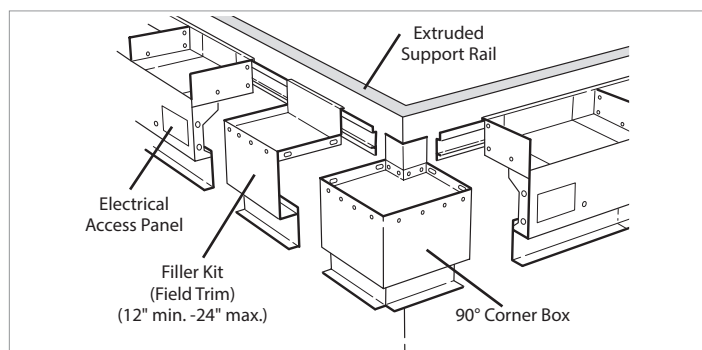
CORNERS



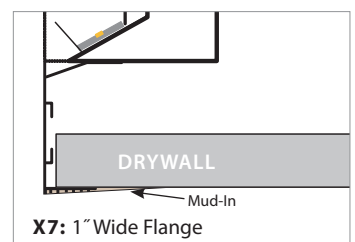
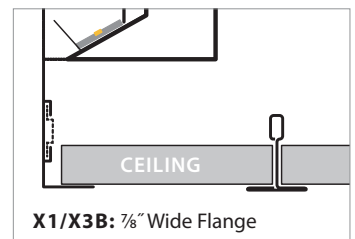
ART — AIR RETURN



CORNER DETAIL



CEILING SYSTEMS



P59 | Cove & Perimeter

Cove-in-a-Box



PRUDENTIAL LTG.

PRULITE.COM 213.746.0360

LM79 & TM30 DATA:

	MEASURED CCT	MEASURED LUMENS	CRI	R9	DuV	SPD	TM30 — COLOR VECTOR	TM30 — COLOR DISTORTION
LED27	2680	80%	93	58	0.001			
LED3	3042	95%	82	6	0.001			
LED3-90	3016	85%	93	61	0.000			
LED35	3482	100%	82	3	0.002			
LED35-90	3417	85%	93	67	0.000			
LED4	3952	102%	82	4	0.003			
LED4-90	3882	85%	92	67	0.003			