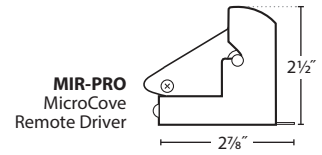
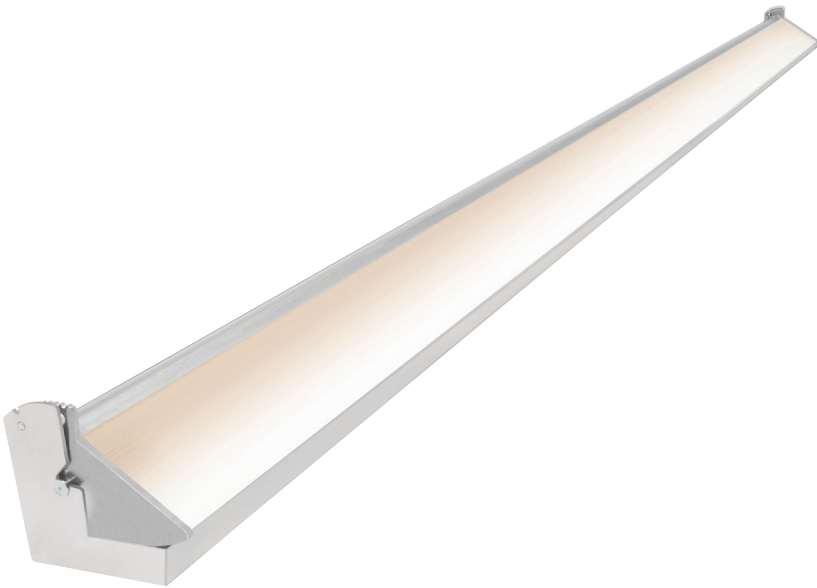


MicroCovePro™ | Cove & Perimeter Remote Driver



PRUDENTIAL LTG.

PRULITE.COM 213.746.0360



Diminutive in scale, huge in performance.

MicroCovePro is an outstanding concealed cove luminaire designed with patent-pending PruOptics™ creating even light distribution while maintaining high efficiencies. 30° of tilt for vaulted coves. Now “PRO” with higher lumen output and PruHue options: Tunable White, Warm Dim, BIOS and RGBW.

LOW OUTPUT:
MW-PRO-LED35-MO
 3102 Delivered Lumens
 25 Watts
 125 lm/w
 3500 CCT

UPTO **125** LPW

SMART SPECS

	LO	MO	SO	HO
lm/ft	445	765	1065	1350
w/ft	3.75	6.5	9.4	12.5
NEW PRUHUES: BLU, TU, TU2, AMB + CHR				
lm/ft	300	400	515	650
w/ft	3.6	5	6.4	8.3

Declare.



Made in the USA

Lumen output may vary +/- 5% 3500K used for lm/ft estimates above 4000K +2% llf, 3000K -2%, 2700K -4% -10% llf for 90 CRI (4K, 3500K and 3K)

See LED Details PDF for more info

SERIES	LED COLOR	OUTPUT	NOMINAL LENGTH	DRIVER BOX/END CAP COLOR	CIRCUIT-ING	VOLTAGE	DRIVERS	OPTIONS
MIR-PRO					SC			
MicroCovePro Remote Driver Includes Remote Driver Box (Per Input)	LED27 2700K (90CRI) LED3 3000K LED35 3500K LED4 4000K LED3-90 3 000K (90CRI) LED35-90 3500K (90CRI) LED4-90 4000K (90CRI) LED5-90 5000K (90CRI) NEW PRUHUES: STATIC: BLU3S BLU35S BLU4S * Dynamic BIOS, SkyBlue spike can be dimmed, CCT warms slightly TU TuHue 2700-6500K Tunable White TU2 TuHue 2200-5000K Tunable White AMB AmberHue Warm Dim 2200K-5000K CHR ChromaHue RGBW (DMX at HO only)	LO Low MO Medium SO Standard HO High PROG Programmable Light Output (Specify desired lm/ft or w/ft)	1' (1' Unit acts as a Satellite, 1' not available in individual with LO, no integral driver) 2' 3' 4' 6' 8' R (1' increments, see page 4 for row breakout)	TMW Textured Matte White (Standard, Optic housing remains raw aluminum) YGW Gloss White Y Premium Color CC Custom Color	SC Single Circuit	UNV (120-277) 347 (Emergency battery requires a Step Down transformer)	ND Non-Dimming (Standard) DM01 0-10v, 1% Dimming LDE1 Hi-lume 1% EcoSystem LED (Soft fade on, fade-to-black dimming) ECO 1% 0-10v, EldoLED (Logarithmic dimming std) ECDA 1% DALI, EldoLED (Logarithmic dimming std) SOLO 0.1% 0-10v, EldoLED (Dim-to-dark, Logarithmic dimming std) SODA 0.1% DALI, EldoLED (Dim-to-dark, Logarithmic dimming std) PRUHUES: E10V 2 Channel Color Control EDALI 2 Channel Color Control EDMX ChromaHue or Static White	EMHE CA T20 Emergency Battery (CA Title 20 compliant, 1000 delivered lumens, <4' Remote Only) PruTune Wall Device (EDALI driver only, one PruTune device for each zone)

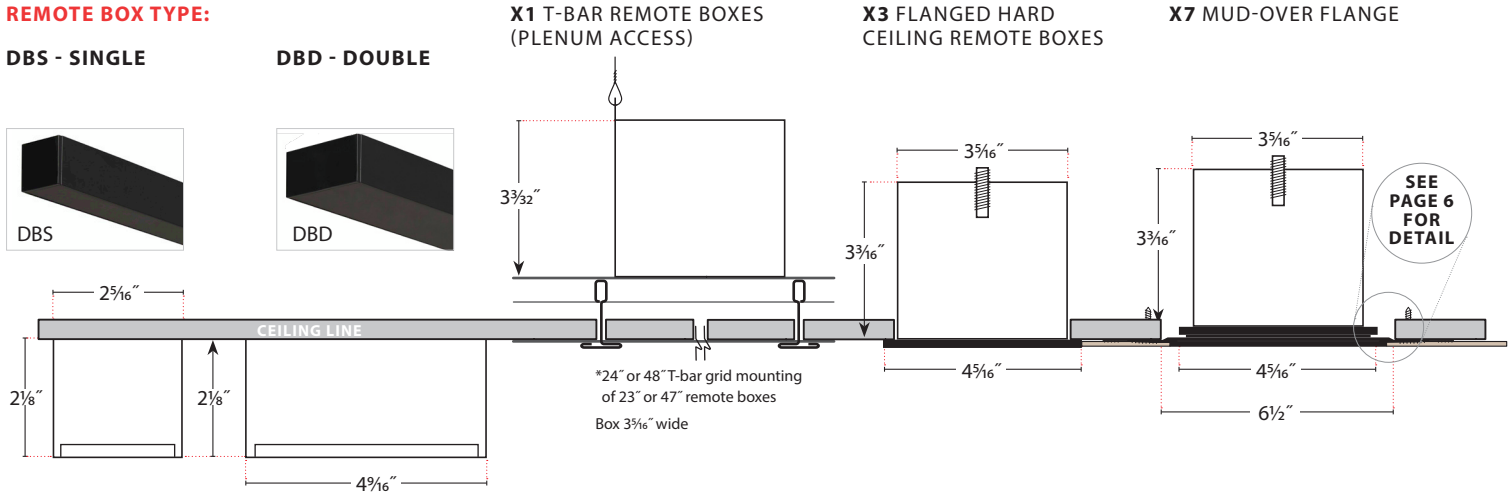
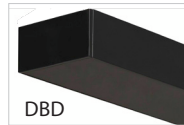
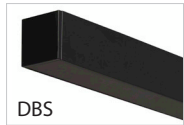
SEE PAGE 2 FOR REMOTE BOX OPTIONS



REMOTE BOX TYPE:

DBS - SINGLE

DBD - DOUBLE



REQUIRED FOR QUOTING:

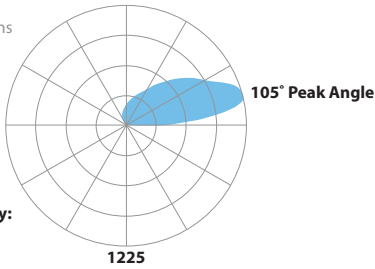
PRU WILL COMPLETE:

SERIES	REMOTE BOX TYPE	REMOTE BOX COLOR	EMERGENCY	OPTIONS	LENGTH	LINE VOLTAGE LOCATION	POWER FEED (NOT FOR X1)	MOUNTING
REMBOX						—		
Remote Box	DBS Deco Surface Box Single DBD Deco Surface Box Double NOTE: Double used when drivers & Emergency don't fit in Single, factory will typically determine when ordering X1 All T-Bar Ceilings X3 Hard Ceilings with Flange (Does not typically need this spec sheet filled out) X7 Hard Ceilings with Mud-over Flange	NA X1 T-bar boxes are pre-painted, DO NOT designate paint color TMW Textured Matte White (Standard) YGW Gloss White Y__ Premium Color CC Custom Color NOTE: Visible parts only	EMHE CA T20 Emergency Battery ETS-DR Iota ETS-DR Emergency Transfer Switch EMC Emergency Circuiting	OMB Over-head Mounting Bracket (X3 & X7 Only, see page 2) Consult factory for Sensors installed in Remote Box	2' (Standard) 4' Custom	(DBS/DBD ONLY) LEFT: 0 1 2 RIGHT: 1 0 1 2 NOTE: Left is indicated by power or mount holes on cover See page 3	0 (Standard) 2 See page 4	NOMT (Fixture DOES NOT mount to remote box, X1 T-Bar always NOMT) MT (Fixture mounts to remote box) See page 5



PHOTOMETRICS

Low Output:
MIR-PRO-LED35-LO-04
 2042 Delivered Lumens
 19 Watts
 107 lm/w
 3500 CCT
 Test
 #102878136LAX-001



Zonal Lumen Summary:
 0-90 = 2%
 90-180 = 98%

Vertical Angle	0°	25°	45°	65°	90°
80°	0	0	0	0	0
85°	96	84	43	7	1
90°	413	383	297	131	3
95°	854	770	578	223	17
100°	1260	1147	804	274	40
105°	1360	1234	802	289	68
115°	1166	994	664	298	119
125°	1030	818	557	308	166
130°	853	738	518	310	187
135°	763	662	483	313	206
140°	673	588	448	315	224
145°	584	521	419	323	240
150°	520	476	401	326	254
160°	417	399	366	326	254
165°	379	369	356	326	291
170°	352	346	335	319	296
175°	326	324	319	311	300
180°	296	296	296	296	296

LUMEN MAINTENANCE

Designed to last with cool running mid-power LEDs projected to maintain 90% (L90) of their initial output for 100,000 hours (at HO), and L70 exceeding 150,000 hours.

LED SYSTEM

LED modules and drivers are field replaceable.

PROG (OPTIONAL)

Programmable light output. Specify desired lumens or watts per linear foot. Min: 2.5 w/ft, consult factory for requests above 12 w/ft.

BINNING

Standard binning (all Prudential LED boards) includes testing at the chip level and board integration to provide consistent color temperature within a 3-step MacAdams ellipse, with +/- 5% lumen output range and +/- .004 Duv.

PRUBIN™ (OPTIONAL)

Prudential Ltg's exclusive 'job binning' method that ensures color temperature consistency across all luminaires on a project. Meticulously testing and labeling **EVERY LED BOARD** to +/- 25 lumens, +/- 50k CCT and +/- .004 Duv — while also separating positive from negative — allows us to match color, hue and intensity throughout a project and provides a consistent color temperature within a 2-step MacAdams ellipse.

LABELS

CSA and ETL damp labeled and I.B.E.W. manufactured.

ELECTRICAL

Must specify LED dimming controls. LED fixtures have constant current driver(s) with less than 20% THD when loaded to a minimum of 60%. Drivers sink a maximum of 6mA per driver. DM01 LED drivers are 0-10V dimmable and are compatible with most 0-10V wall slide dimmers and direct 0-10V analog signal dimmers. Max driver size 1¼" w x 1" h.

CONSTRUCTION

Power cord is White

Housing

OPTICAL: Extruded aluminum / raw aluminum >25% PC recycled, 100% recyclable.

DRIVER: 20-gauge steel (TMW), >20% PC recycled, 100% recyclable.

End Caps

20-gauge steel (TMW), >20% PC recycled, 100% recyclable.

Lens

Extruded acrylic with PruOptics™ prisms, 100% recyclable.

Weight

2.2 lbs/ft.

MOUNTING

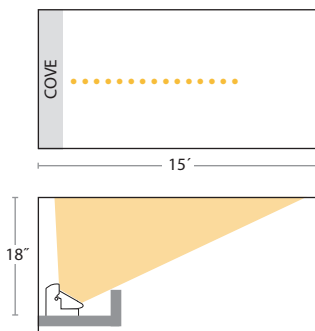
Surface mounted in concealed coves.

WARRANTY

Single-source, 5 year limited warranty covers standard components and construction.

MicroCove vs. Leading Competitor

A comparison of footcandle distributions on the ceiling.



Watts/Ft
Cove Height
Ceiling Height
Ceiling Width
Average Illuminance (Ceiling)
Power Density (W/Sq)
Max
Min

MicroCove at Low Output - 460 lm/ft	5	18"	9'	15'	25fc	.32	82fc	5fc
Leading Competitor - 320 lm/ft	5	18"	9'	15'	17fc	.33	58fc	2fc

MicroCove at Low Output (4000K, 5w/ft) – footcandle values on ceiling (every foot)

COVE	82	76	60	43	31	22	16	12	9	8	6	5	5	5	5
------	----	----	----	----	----	----	----	----	---	---	---	---	---	---	---

Leading Competitor – (5w/ft)

COVE	58	50	38	28	20	14	9	7	5	4	3	3	2	2	2
------	----	----	----	----	----	----	---	---	---	---	---	---	---	---	---

MicroCovePro™ | Cove & Perimeter

Remote Driver



PRUDENTIAL LTG.

PRULITE.COM 213.746.0360

ROW LAYOUT

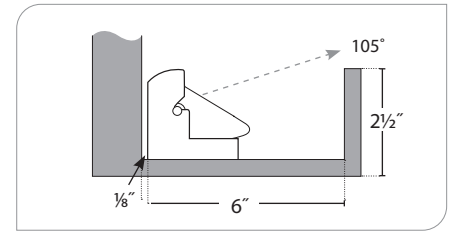
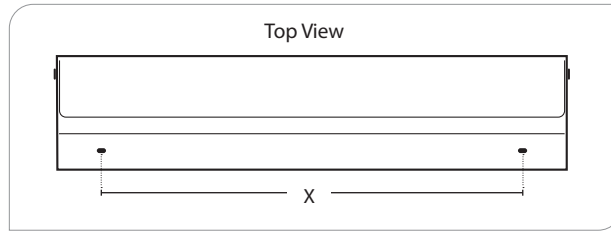
RUN (FEET)	FIXTURE LENGTH							
	2	3	4	5	6	7	8	
2'	1							
3'		1						
4'			1					
5'				1				
6'					1			
7'						1		
8'							1	
9'			1	1				
10'			1		1			
11'			1			1		
12'			1				1	
13'				1			1	
14'					1		1	
15'						1	1	
16'							2	
17'			1	1			1	
18'			1		1		1	
19'			1			1	1	
20'			1				2	
21'				1			2	
22'					1		2	
23'						1	2	
24'							3	
25'			1	1			2	
26'			1		1		2	
27'			1			1	2	
28'			1				3	
29'				1			3	
30'					1		3	
31'						1	3	
32'							4	
33'			1	1			3	
34'			1		1		3	
35'			1			1	3	
36'			1				4	
37'				1			4	
38'					1		4	
39'						1	4	
40'							5	
41'			1	1			4	
42'			1		1		4	
43'			1			1	4	
44'			1				5	
45'				1			5	
46'					1		5	
47'						1	5	
48'							6	
49'			1	1			5	
50'			1		1		5	
51'			1			1	5	

RUN (FEET)	FIXTURE LENGTH							
	2	3	4	5	6	7	8	
52'			1				6	
53'				1			6	
54'					1		6	
55'						1	6	
56'							7	
57'				2			6	
58'				1	1		6	
59'				1		1	6	
60'				1			7	
61'					1		7	
62'						1	7	
63'							8	
64'			1	1			7	
65'			1		1		7	
66'			1			1	7	
67'			1				8	
68'				1			8	
69'					1		8	
70'						1	8	
71'							9	
72'			1	1			8	
73'			1		1		8	
74'			1			1	8	
75'			1				9	
76'				1			9	
77'					1		9	
78'						1	9	
79'							10	
80'			1	1			9	
81'			1		1		9	
82'			1			1	9	
83'			1				10	
84'				1			10	
85'					1		10	
86'						1	10	
87'							11	
88'			1	1			10	
89'			1		1		10	
90'			1			1	10	
91'			1				11	
92'				1			11	
93'					1		11	
94'						1	11	
95'							12	
96'			1	1			11	
97'			1		1		11	
98'			1			1	11	
99'			1				12	
100'				1			12	



MOUNTING OPTIONS

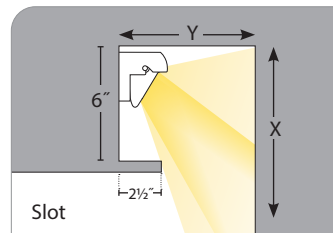
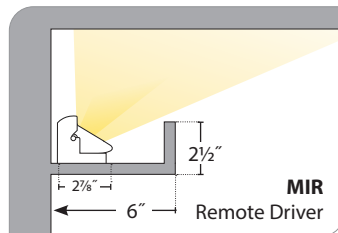
	Actual Fixture Length	'X' Mounting
1' =	12½"	9⅝"
2' =	24½"	21⅝"
3' =	36⅞"	33½"
4' =	48⅞"	46½"
6' =	72⅜"	69½"
8' =	96⅜"	93⅞"



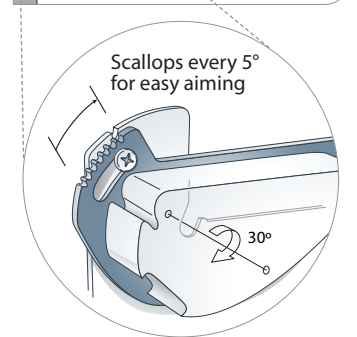
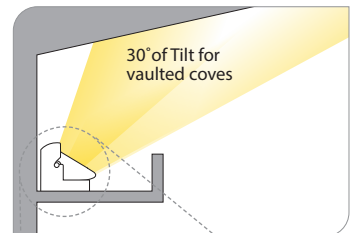
INSTALLATION HEIGHT

Y	X
12"	33"
18"	49"
24"	66"

Y = Cove to Ceiling
X = Peak Candela at 105°



ADJUSTABILITY

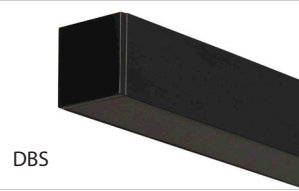
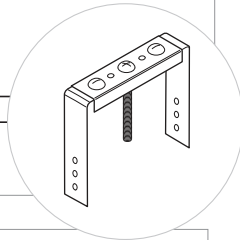
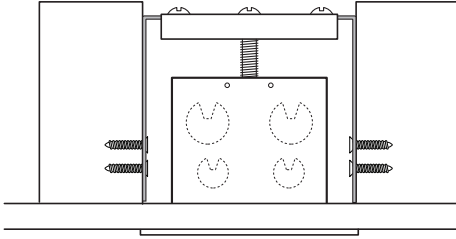




REMOTE BOX OPTIONS

OMB (OVERHEAD MOUNTING BRACKET)

(2 Per Remote Box) Optional mounting for hard ceiling installs (X3, X7)

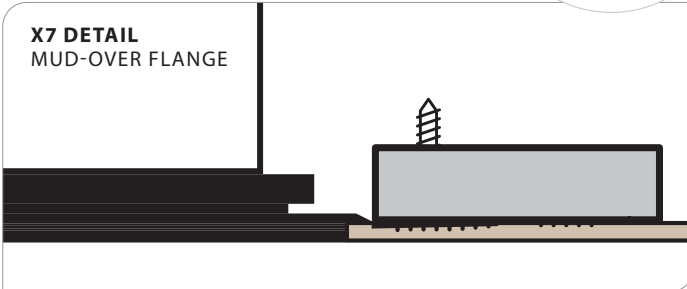


DBS



DBD

X7 DETAIL MUD-OVER FLANGE



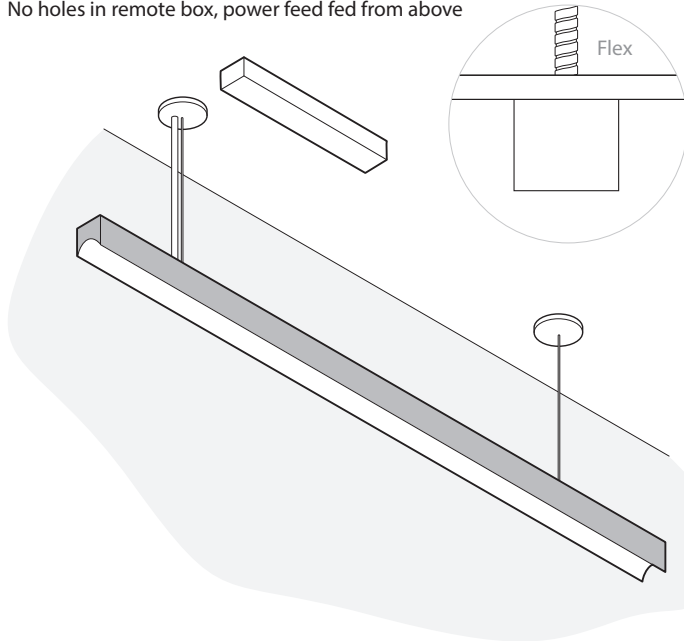
Line Voltage Location for Surface Mount

DBS/DBD Only

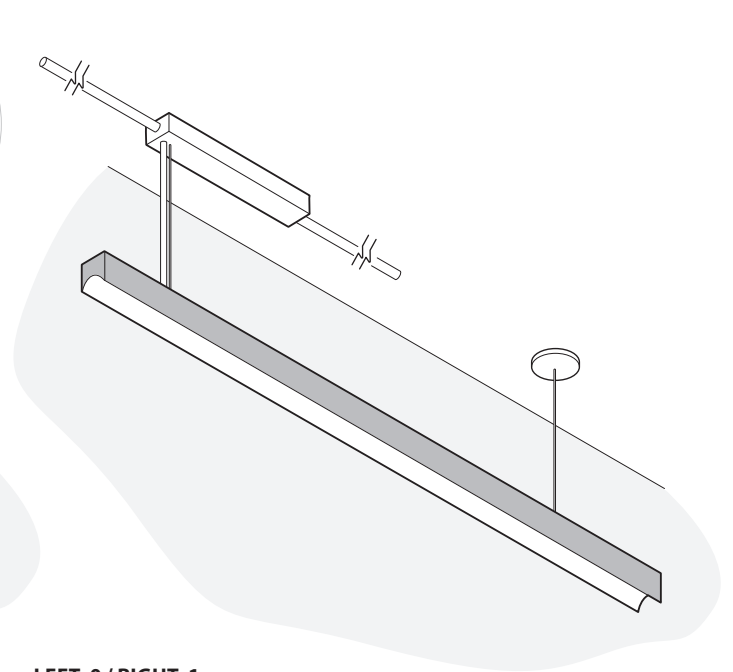


LEFT: 0 / RIGHT: 0

No holes in remote box, power feed fed from above

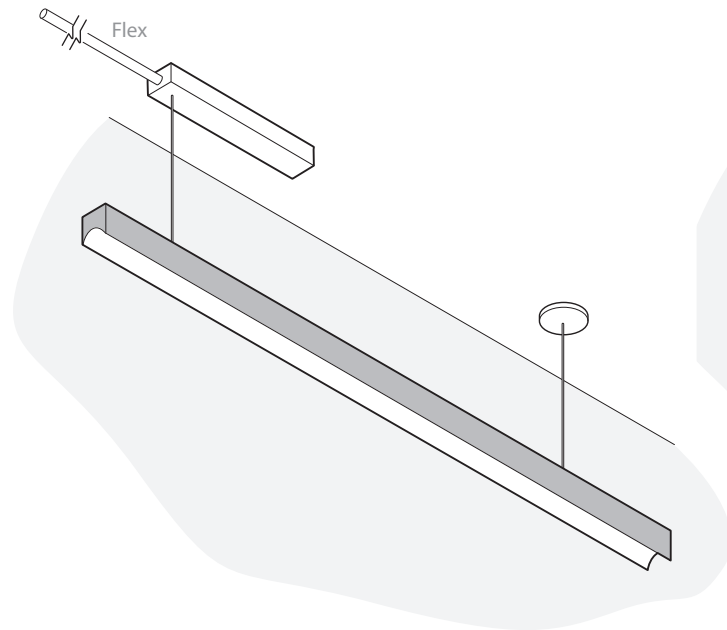


LEFT: 1 / RIGHT: 1



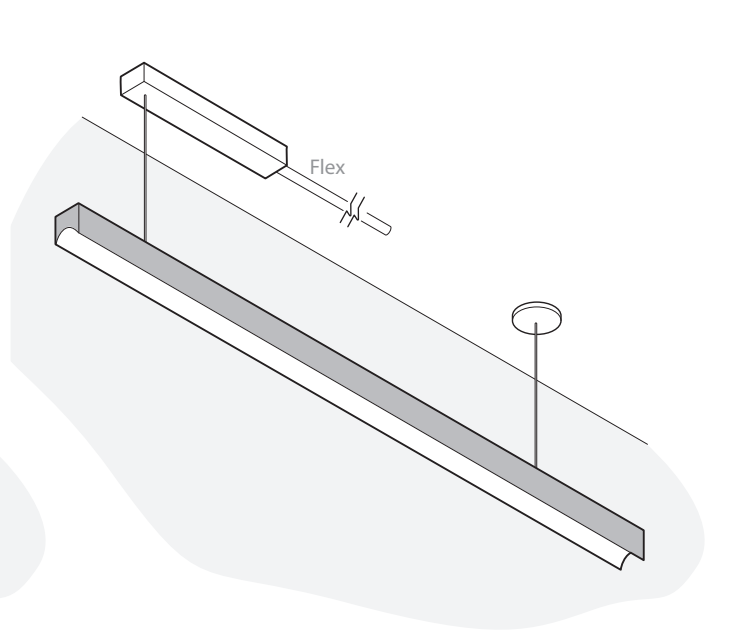
LEFT: 1 / RIGHT: 0

Fixture cable hung from remote box, flex to LEFT
(typically for concrete ceilings)



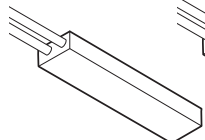
LEFT: 0 / RIGHT: 1

Fixture cable hung from remote box, flex to RIGHT of cable

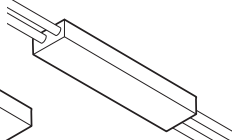


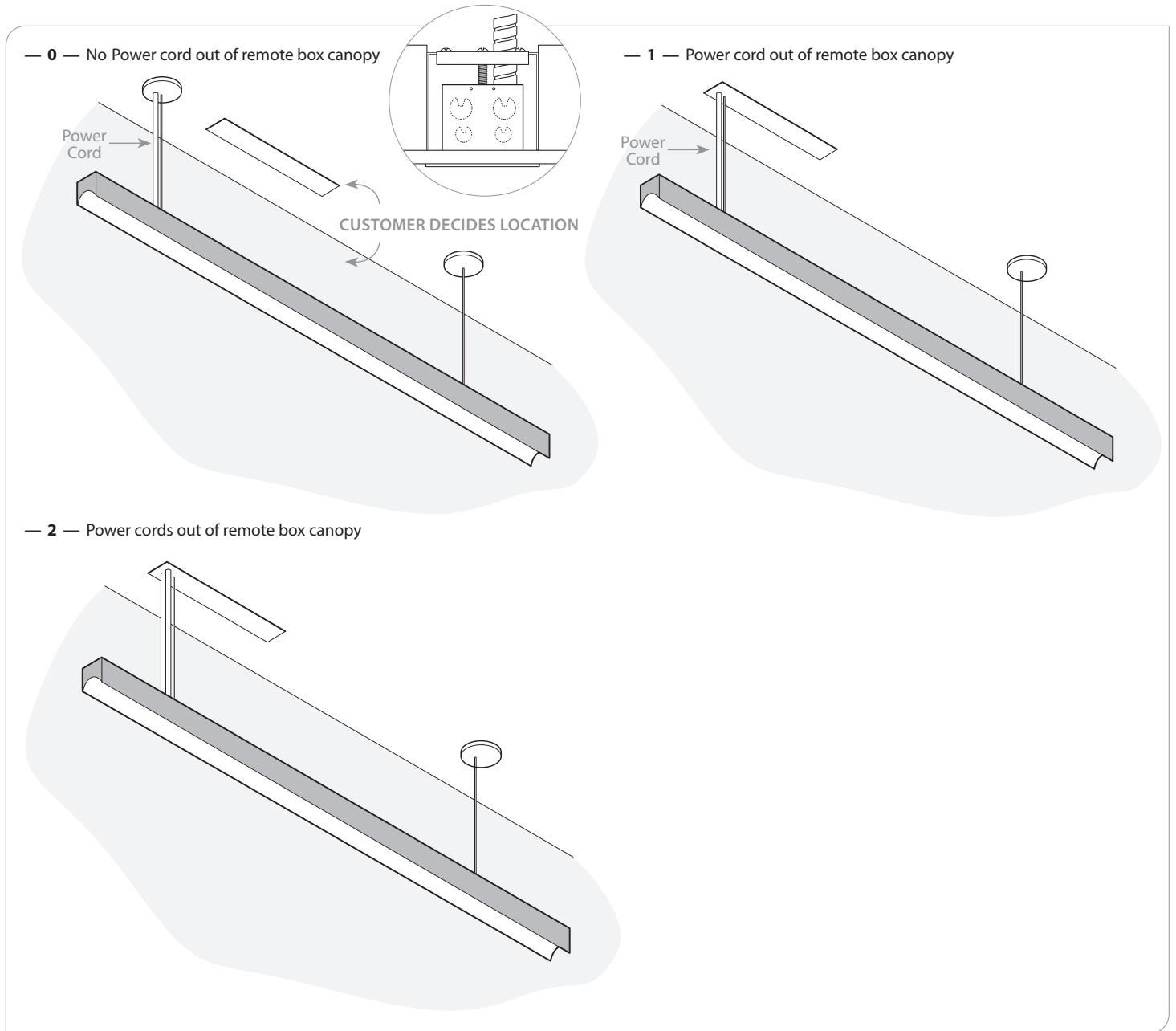
NOTE: DBD will be needed for most driver + Emergency, two power feeds possible L2 (left) or R2 (right) side.

LEFT: 2 / RIGHT: 0



LEFT: 2 / RIGHT: 2





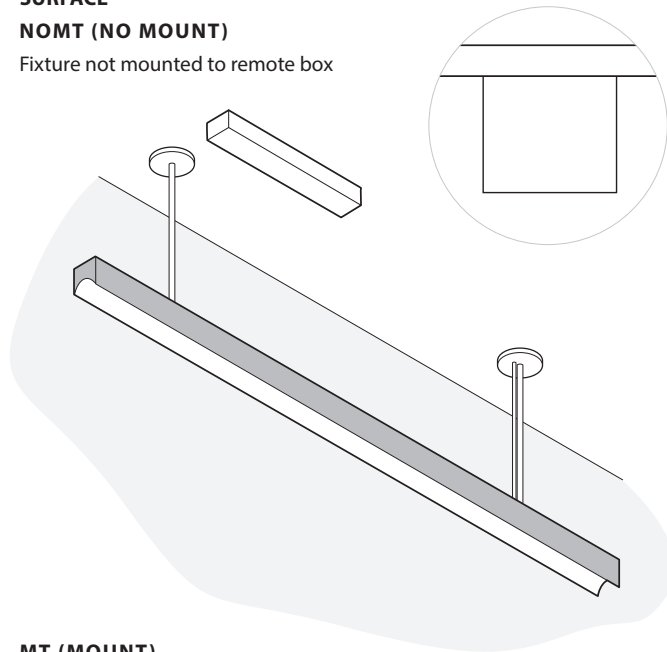
Mounting



SURFACE

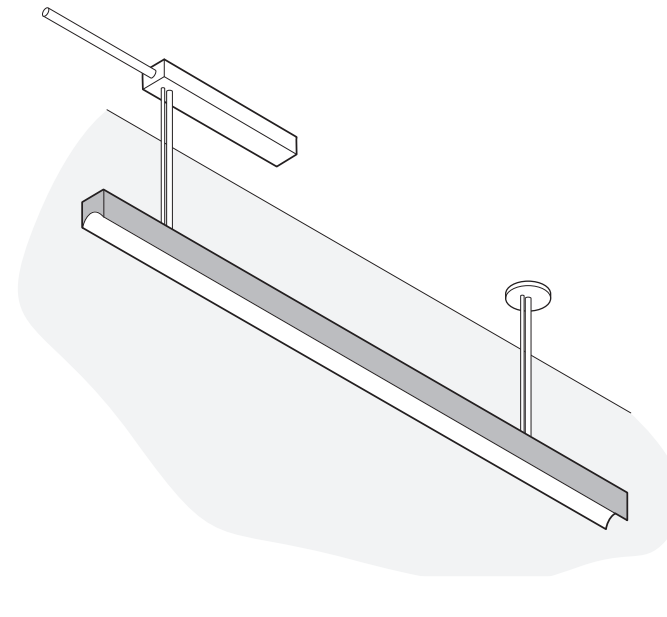
NOMT (NO MOUNT)

Fixture not mounted to remote box



MT (MOUNT)

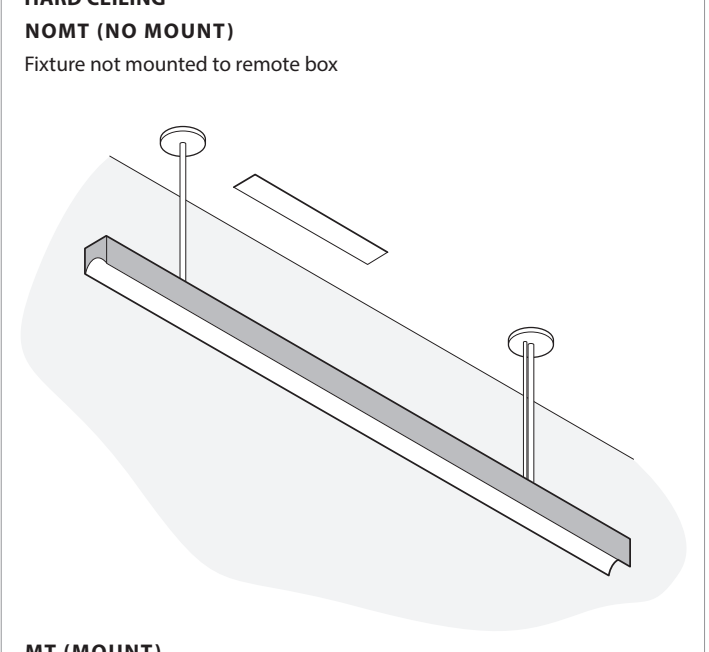
Fixture mounted to remote box



HARD CEILING

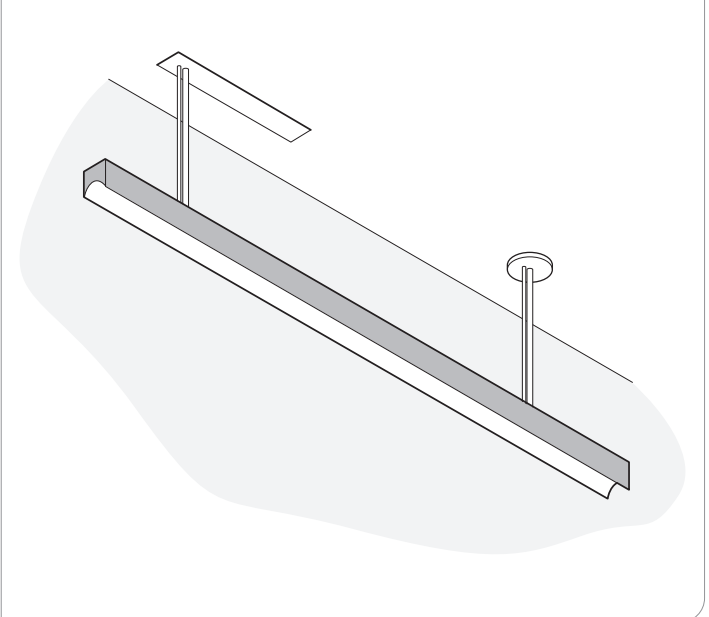
NOMT (NO MOUNT)

Fixture not mounted to remote box



MT (MOUNT)

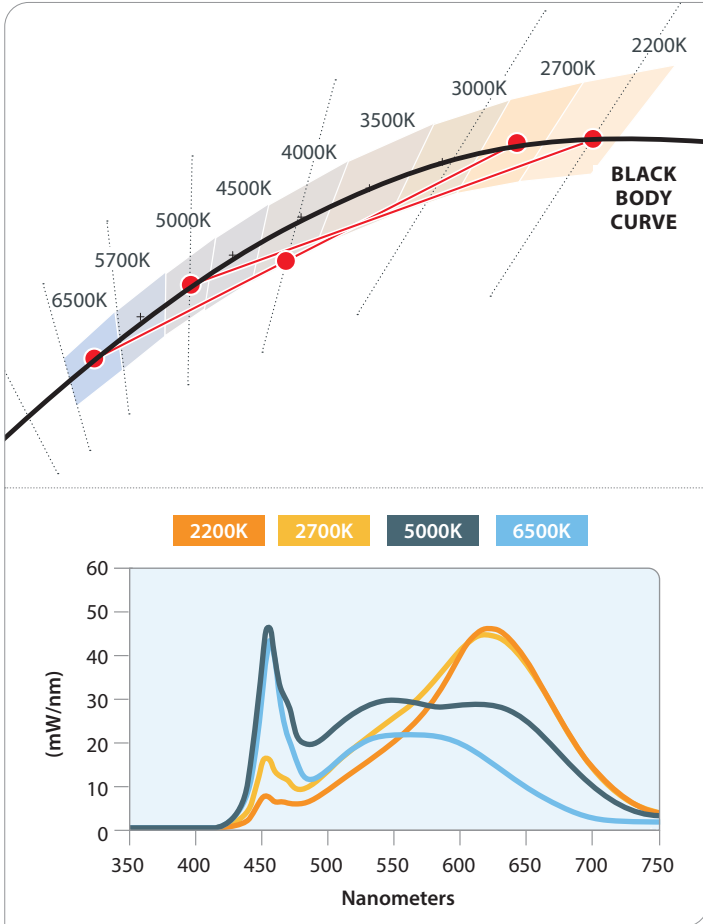
Fixture mounted to remote box



Tu Hue

Prudential Lighting's **TuHue** Tunable White provides warm to cool white light simulating sunlight. Controlling the light source color temperature offers differing design aesthetics with potential benefits via circadian rhythm support. Blue light for alertness while warm light conveys tranquility.

- 2700K-6500K or 2200K-5000K.
- Adjust the color temperature and brightness separately.
- Simulates warm to cool to warm transition of sunlight.

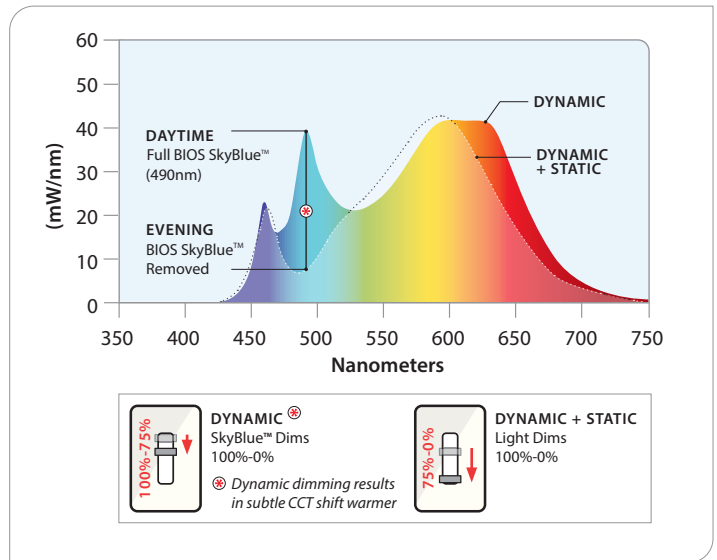


Blu Hue

bios ILLUMINATED

BluHue BIOS SkyBlue™ circadian LED lighting brings the benefits of blue skies inside. Newly discovered blue-sky receptors in our eyes drive improved daytime alertness, mood, brain function, and strengthens circadian rhythms leading to overall better health and well-being.

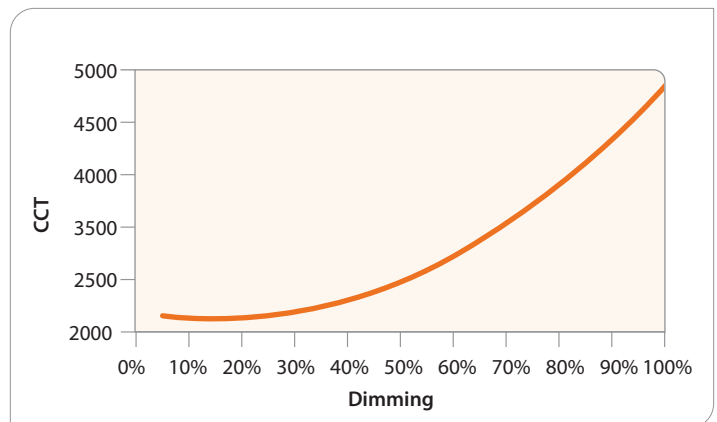
- Circadian rhythms play an integral role in physical and mental health.
- BluHue BIOS SkyBlue pinpoints peak 490nm sensitivity to provide the most benefit from an electric light source.
- At night, simply dim the lights to remove SkyBlue™ wavelengths (specify "Blu_D" to dim Cyan SkyBlue spike separately [night mode]).



Amber Hue

AmberHue is Prudential Lighting's Warm Dim offering. It transitions bright white light to warm amber light as brightness is dimmed, reflecting sunlight's transitioning from intense blue midday light to a dimmed golden hue near sunset, also reminiscent of soft glowing candlelight.

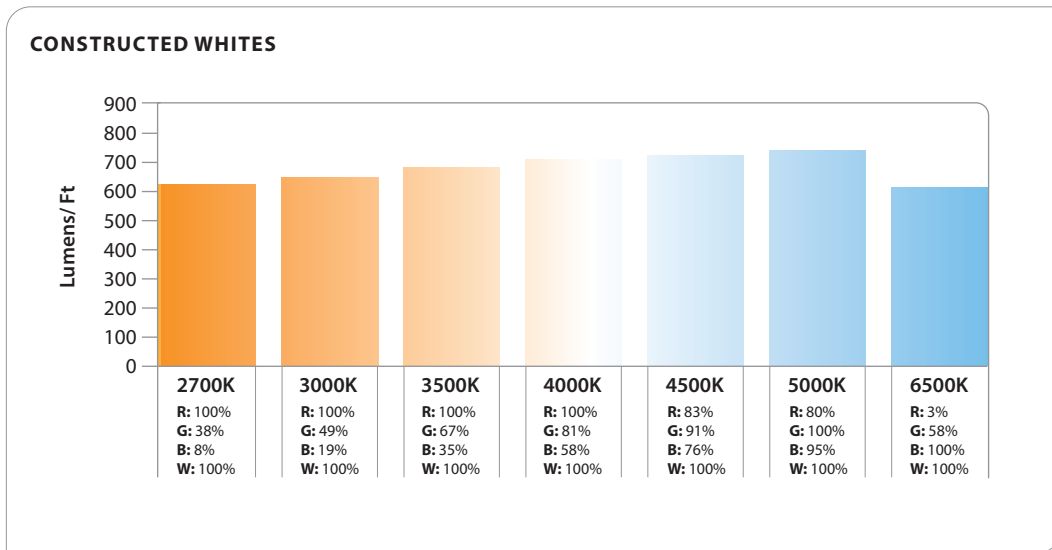
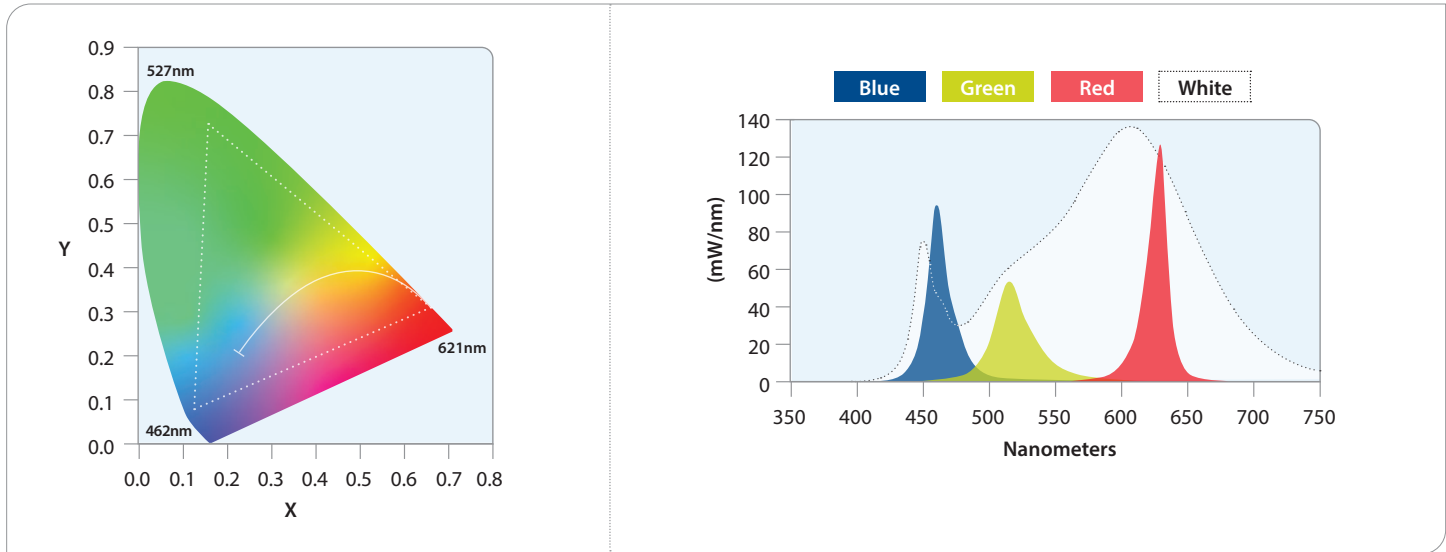
- Warm Dim 2200K-5000K.
- Color temperature warms as the luminaire is dimmed.
- Calm, relaxing mood communicated – hospitality, residential feel.





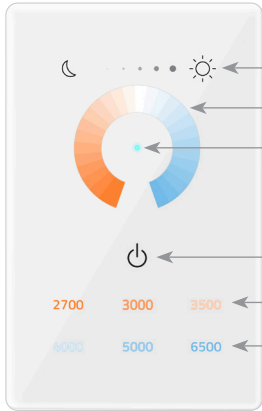
ChromaHue offers a vibrant full gamut of colors for seemingly endless architectural interior applications. Rich color-changing light offers tremendous design flexibility while white light can be achieved with the White chip, or mixing of Red, Green and Blue light. No longer just for the entertainment industry, ChromaHue can be intermixed on MicroCove luminaires for mood-creating indirect illumination combined with static white direct light.

- RGBW LED array (Red, Green, Blue, White) with full spectrum color and white light on the black body curve.
- Four-channel control, DMX drivers.
- Any color point within the triangle can be reached by setting the proper output levels for each individual red, green, blue and white channels.
- Standard DMX is one zone with one XLR drop at start, one XLR return at the end.





PRUTUNE WALL DEVICE



BRIGHTNESS: 0.1%-100%

COLOR WHEEL

POWER INDICATOR
RED : OFF
BLUE : ON

ON / OFF

PRESET COLOR TEMPERATURES

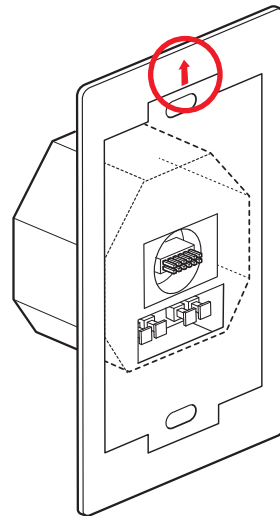
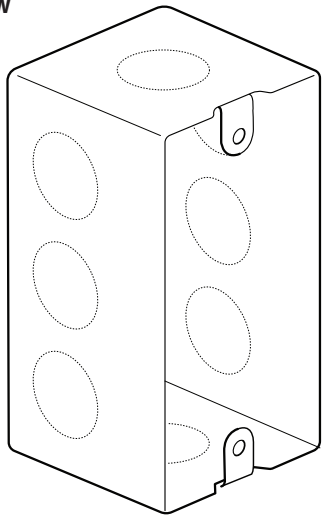
PRUTune DALI device includes:

- Easy-to-understand user control with intuitive design
- Out-of-the-box set-up, no commissioning needed
- Color wheel for color change from 2700K to 6500K
- Dimming to 0.1% (255 Steps)
- Six preset colors (2700K, 3000K, 3500K, 4000K, 5000K, 6500K)
- Must use DALI driver, consult factory to control non-Prudential Ltg Tunable White fixtures
- Control one (1) zone - up to 30 drivers
(Consult factory for fixture quantity dependant upon fixture type, size & output)

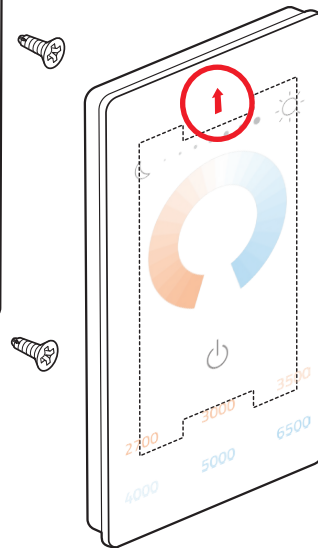
PRUTune + EMHE: — Prutune does not have memory

- Once normal power is restored, the controller sends a signal of 100% intensity and 6500K CCT

EXPLODED VIEW



Ensure arrows are aligned when assembling 'Pru wall device'





LM79 & TM30 DATA:

	MEASURED CCT	MEASURED LUMENS	CRI	R9	DuV	SPD	TM30 — COLOR VECTOR	TM30 — COLOR DISTORTION
LED27	2680	80%	93	58	0.001		 89 Rf	 97 Rg
LED3	3042	95%	82	6	0.001		 81 Rf	 92 Rg
LED3-90	3016	85%	93	61	0.000		 88 Rf	 96 Rg
LED35	3482	100%	82	3	0.002		 81 Rf	 92 Rg
LED35-90	3417	85%	93	67	0.000		 88 Rf	 96 Rg
LED4	3952	102%	82	4	0.003		 81 Rf	 92 Rg
LED4-90	3882	85%	92	67	0.003		 87 Rf	 96 Rg
LED5-90	4889	85%	94	84	0.002		 86 Rf	 95 Rg



LM79 & TM30 DATA:

		MEASURED CCT	MEASURED LUMENS	CRI	R9	LED27	SPD	TM30 — COLOR VECTOR
BH3S&D	bios 3000K	2779	2758	87	81	0.003		
	BH3D SKY BLUE DIMMED	2715	2425	82	3	0.002		
BH35S&D	bios 3500K	3245	2919	85	87	0.003		
	BH35D SKY BLUE DIMMED	3061	2502	83	7	0.001		
BH4&D	bios 4000K	3624	2993	85	86	0.004		
	BH4D SKY BLUE DIMMED	3388	2585	83	5	0.002		
TH	LED27	2684	2456	92	57	0.0001		
	LED65	6061	3292	82	-1	0.006		
TH2	LED22	2209	2112	92	52	0.0005		
	LED50	4796	2789	93	77	0.004		
CH	2700K	2632	2469	82	50	0.003		
	3500K	3388	2585	83	5	0.002		
	4000K	3977	2682	83	29	0.003		
	5000K	5233	2823	84	21	0.003		