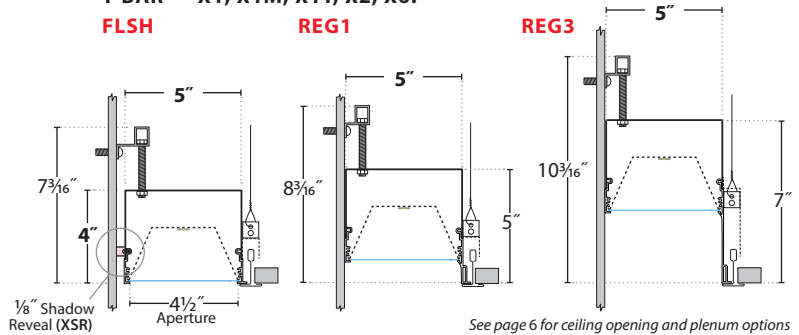




**T-BAR — X1, X1M, X1T, X2, X6:**  
**FLSH REG1 REG3**



See page 6 for ceiling opening and plenum options

	<b>BPRO5-PER-FLSH-LED35-MO-SAL</b>
	2872 Delivered Lumens
	23 Watts
	126 lm/w

FLSH:		LO	MO	SO	HO
<b>SAL</b>	Lm/Ft	475	690	1000	1250
<b>PFL</b>	Lm/Ft	510	760	1025	1350
<b>NGZ</b>	Lm/Ft	550	800	1125	1500
<b>MGZ</b>	Lm/Ft	510	760	1025	1350
<b>WGZ</b>	Lm/Ft	550	800	1125	1500
<b>LGP</b>	Lm/Ft	510	760	1025	—
	W/Ft	3.8	5.6	7.8	10.5

**LUMEN CHART AT 3500K-80 CRI**  
 SEE PAGE 6 FOR REGRESS

SMART SPECS

**TUNABLE WHITE**

Tu Hue Amber Hue  
 Blu Hue Chroma Hue

Lumen output may vary +/- 5%  
**Light Loss Factor (LLF) for CCTs other than 3500K:**  
 4000K +2%, 3000K -5%, 2700K -20%  
 90 CRI -15% (3K, 3500K, 4K & 5K  
 ADC -2% LLF  
 Louver LLF 30% White, 50% Silver, 70% Black



SE-RIES	LENS POS.	LED COLOR	OUT-PUT	NOMINAL LENGTH	TRIM COLOR	LOUVER COLOR	DISTRI-BUTION	MOUNT-ING	CIRCU-ITING	VOLT-AGE	CEILING SYSTEMS	DRIVERS	OPTIONS, CONTROL SENSORS & CORNERS	
<b>BPRO5-PER</b>									SC					
BionicPro 5" Perimeter	FLSH Flush Lens LVR Louver Flush REG.5 1/2" Regress LVR1 Louver 1/2" Regress REG1 1" Regress LVR3* Louver 2 1/2" Regress REG3* 3" Regress * NA PFL	LED27 2700K (90CRI) LED3 3000K LED4 4000K LED3-90 3000K (90CRI) LED35-90 3500K (90CRI) LED4-90 4000K (90CRI) LED5-90 5000K (90CRI) <b>BIOS:</b> BLU3S BLU35S BLU4S <b>DYNAMIC:</b> BLU3D* BLU35D* BLU4D* * Dynamic BIOS, SkyBlue spike can be dimmed, CCT warms slightly TU TuHue 2700-6500K Tunable White TU2** TuHue 2200-5000K Tunable White AMB** AmberHue Warm Dim 2200K-5000K ** NA-HO CHR ChromaHue RGBW (DIMX at HO only)	LO Low MO Medium SO Standard HO High PROG Programmable Light Output (Specify desired lm/ft or w/ft)	2' 3' 4' 5' 6' 7' 8' R (Row Length) <b>NOTE:</b> Individual fixtures are NOT intended for row mounting	TMW Textured Matte White (Standard) YGW Gloss White Y Premium Color CC Custom Color <b>LUXE METAL-LICS:</b> YBZ Bronze YCP Copper Penny YGN Gold Nugget	SKIP COL-UMN IF LOUVER IS NOT NEEDED TMW Textured Matte White YGW Gloss White Y Premium Color YBK Black Matte Y Pre-mium Color CC Custom Color YBZ Bronze YCP Copper Penny YGN Gold Nugget YCP Copper Penny YGN Gold Nugget	SAL Satin Lens NGZ Narrow Wall MGZ Medium Wall WGZ Wide Wall LGP Low Glare Prismatic (NA HO) PFL Perimeter Room Fill (NA Reg3 / Lvr3) 	LP Light Pocket WTW Wall to Wall <b>NOTE:</b> Requires filler fixture at end of row. See page 7 for details All non nominal lengths require <b>FIELD CUTTABLE</b> filler fixture at end of row	SC Single Circuit	UNV (120-277) 120 277 347 (Emergency battery requires a Step Down transformer and remote box)	X1 1 5/16" T-Bar X1M 5/16" T-Bar X1T 1 5/16" T-Bar Tegular X2 Dimensional T-Bar Armstrong Inter-lude® X3 Hard Ceiling (Flange Trim) X6 Slot Grid X7 Mud-Over Flange X9** Finished Extruded Side (Grid Ceiling) X11** Finished Extruded Side (Ceilings needing nominal lengths) ** See page 6	ND Non-Dimming DM01 0-10v, 1% Dimming LDE1 Hi-lume 1% EcoSystem LED (Soft fade on, fade-to-black dimming) ECO 1% 0-10v, EldoLED (Logarithmic dimming std) ECDA 1% DALI, EldoLED (Logarithmic dimming std) nLight-Air Acuity nLight Drivers (ECDA driver ONLY) nLight-Wired Acuity nLight Drivers (ECO driver ONLY) SOLO 0.1% 0-10v, EldoLED (Dim-to-dark, Logarithmic dimming std) SODA 0.1% DALI, EldoLED (Dim-to-dark, Logarithmic dimming std) STEP Signify Advance Step Dimming 2WIRE ELV/ Forward/Reverse Phase Driver <b>HUES:</b> E10V 2 Channel Color Control EDALI 2 Channel Color Control EDMX ChromaHue or Static White <b>NOTE:</b> May require Insulation Detector (ID), see page 3	EMHE+ CA T20 Emergency Battery (900 Delivered lumens, CA Title 20 compliant, 3' or < Remote) ETS-DR+ Iota ETS-DR Emergency Transfer Switch EMC Emergency Circuiting FTR End of row feathering to soften Wall Grazing or PFL effect on Perpendicular Wall (WTW) (See page 8, NA HO or LGP) CP Chicago Plenum IDSM Insulation Detector Side Mount (for plenums <6" where fixtures are non-IC rated, see page 3) XSR 1/8" Shadow Reveal (See page 9) <b>SENSORS:</b> (See Page 19) 205 WattStopper PIR Occupancy 205-ON/OFF 205-STEP: Dim to 50% 205-DM: Dim to 1% (NA with DALI) ATHENA Lutron RF (Dim-to-Off Standard) LVOC** Lutron Vive (Occ & RF) LVRF** Lutron Vive (RF Only) ** Requires Lutron driver <b>NOTE:</b> Sensors NA with REG3, tile mount (by others)	NXSMP Hubbell (Occ) rES7 Daylight+(PIR Acoustic) (Occ) (nLight-Air) Part Number: rES7-PDT-180D-G2 nES7 Daylight+(PIR Acoustic) (Occ) (nLight-Wired) Part Number: nES-PDT7-ADCX
													<b>90° LOUVERS AVAILABLE (CONSULT FACTORY FOR OTHER ANGLES)</b>	
													<b>DWNLT Downlights</b> (See page 2)	

# BionicPro5™ | Perimeter Downlights

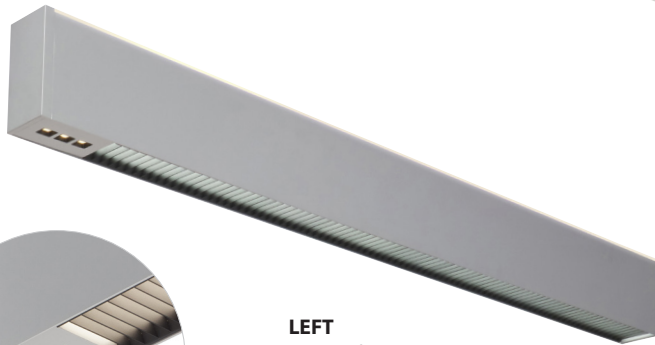


PRUDENTIAL LTG.

PRULITE.COM 213.746.0360



Two Rows (BPRO4 & 5)



**LEFT**  
(Start) Placement  
(BPRO2 Linear shown with Louver)

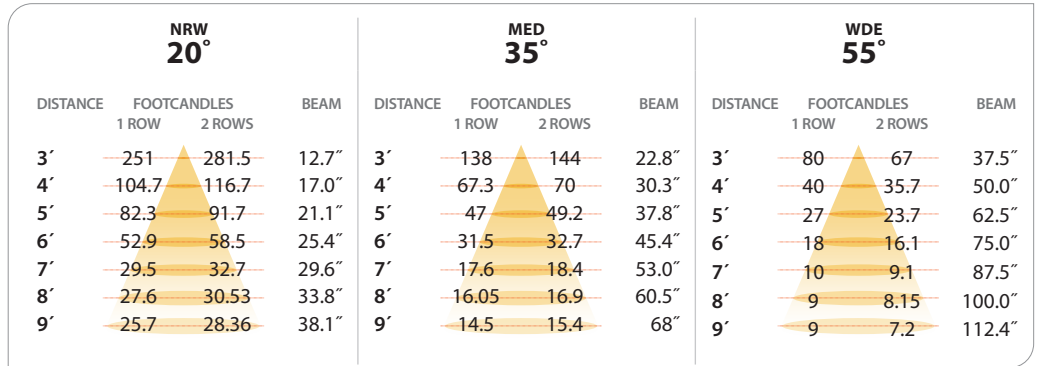
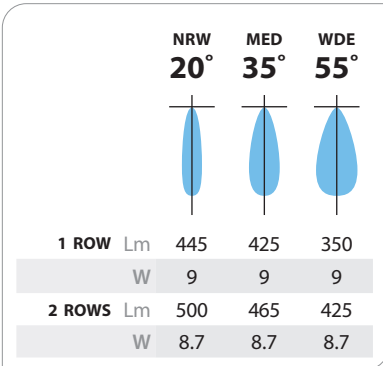


One Row (BPRO2 & 3)

**MID**  
Middle of Row Placement  
(BPRO4 Recessed shown with Flush Lens)



**INDIRECT ONLY**  
(BPRO2 Linear shown)



SE-RIES	QUANTITY	LOCATION	CCT	DISTRIBU-TION	COLOR	VOLTAGE	DRIVERS
DWN-LT							
Down-light	<b>SPECIFY DOWN-LIGHT QUANTITY PER FIX-TURE/ROW</b> Maximum One (1) Downlight Every 4' 16' Row = 4 Downlights 30' Row = 7 Downlights	MID One Downlight in Middle of Fixture LT One Downlight on Left (Start) RT One Downlight on Right (End) LT-RT Two Downlights on Ends LT-MID Two Downlights on Left and Middle MID-RT Two Downlights on Middle and End MOD Downlight Location(s) per Specs	LED3-90 3000K-90CRI (Standard) LED35-90 3500K-90CRI LED4-90 4000K-90CRI NOTES: - NA 2700K, 5000K - Only 1 Output Offered	NRW Nar-row 20° Beam MED Me-dium 35° Beam WDE Wide 55° Beam	TMW Textured Matte White (Standard) YGW Gloss White Y__ Premium Color CC Custom Color <b>LUXE METALLICS:</b> YBZ Bronze YCP Copper Penny YGN Gold Nuggetd Nugget	UNV (120-277) 347	DM01 0-10v, 1% Dimming (Standard) LDE1 Hi-lume 1% EcoSys-tem LED (Soft fade on, fade-to-black dimming) ECO 1% 0-10v, EldoLED (Loga-rithmic dimming std) ECDA 1% DALI, EldoLED (Logarithmic dimming std) SOLO 0.1% 0-10v, EldoLED (Dim-to-dark, Logarithmic dimming std) SODA 0.1% DALI, EldoLED (Dim-to-dark, Logarithmic dimming std)



## LUMEN MAINTENANCE

- L70** — 200,000+ Hours
- L90** — 100,000+ Hours (LO, MO & SO)
- L90** — 60,000+ Hours (HO)

**LED SYSTEM** LED modules and drivers are field replaceable.

**PROG** (OPTIONAL) Programmable light output. Specify desired lumens or watts per linear foot.

**BINNING** Standard binning (all Prudential LED boards) includes testing at the chip level and board integration to provide consistent color temperature within a 3-step MacAdams ellipse, with +/- 5% lumen output range and +/- .004 Duv.

**LABELS** ETL damp labeled and I.B.E.W. manufactured.

**WARRANTY** Single-source, 5 year limited warranty covers standard components and construction.

**ELECTRICAL** Must specify LED dimming controls. LED fixtures have constant current driver(s) with less than 20% THD when loaded to a minimum of 60%. Drivers sink a maximum of 6mA per driver. DM01 LED drivers are 0-10V dimmable and are compatible with most 0-10V wall slide dimmers and direct 0-10V analog signal dimmers. Max driver size 1.65" w x 1.25" h.

## CONSTRUCTION

**Housing** Extruded aluminum trim and side wall >25% PC recycled, 100% recyclable.

20-gauge steel top housing >20% PC recycled, 100% recyclable.

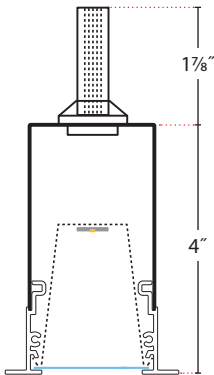
Die-Cast endcaps (LP), Formed steel endcaps (WTW)

**Lens** Seamless lens up to 200'. Consult factory for longer lengths. Polymer, 100% recyclable.

**Weight** 4 lbs / ft.

**MOUNTING** Recessed into drywall or t-bar ceilings or walls.

## INSULATION DETECTOR (ID) FOR NON-IC RATED FIXTURES



**Insulation Detector (ID) REQUIRED** for non IC-rated fixtures  
Non IC-rated = **NO INSULATION ALLOWED**

**ID REQUIRED for:**

Osram	ELDO	Lutron & Signify	EMHE	Custom Length*	EMHE + Custom Length
—	—	—	—	<b>HO</b>	<b>SO-HO</b>

\* Custom length = field adjustable, not 1' increments

Request **Insulation Detector Side Mount (IDSM)** if plenum less than 6"

## FINISH COLORS

### STANDARD:

TMW — Textured Matte White

YGW — Gloss White

### PREMIUM:

YSW — Seashell White (Matte)

YPE — Pewter (Matte)

YRG — Rain Grey (Gloss)

YSTM — Storm Grey (Matte)

YBK — Black (Matte)

YBB — Black (Semi Gloss)

YSKM — Sky (Matte)

YMB — Military Blue (Matte)

YSAM — Sapphire (Matte)

YIB — Interstate Blue (Matte)

YBR — Bronze (Matte)

YSRM — Sunset Red (Matte)

YOR — Orange (Matte)

YDAM — Daffodil (Matte)

YFGM — Forest Green (Matte)

YSL — Silver (Metallic)

### LUXE METALLICS:

YCP — Copper Penny (Metallic)

YBZ — Bronze (Metallic)

YGN — Gold Nugget (Metallic)

Choose from one of our Premium Colors with no set-up fee. For paint chip samples, please email: [info@prulite.com](mailto:info@prulite.com)



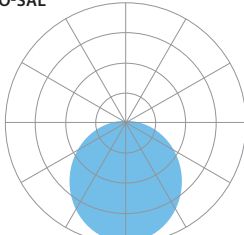
## FLSH:

### SATIN LENS

#### MEDIUM OUTPUT:

##### BPRO5-PER-FLSH-LED35-MO-SAL

2872 Delivered Lumens  
23 Watts  
126 lm/w  
1.24 Spacing Criteria  
3500 CCT



#### Zonal Lumen Summary:

0-90 = 100%

1033

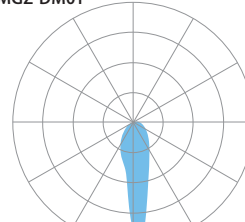
Vertical Angle	0°	25°	45°	65°	90°
0°	1033	1033	1033	1033	1033
5°	1024	1025	1022	1027	1028
15°	974	976	977	984	987
25°	884	887	891	903	909
35°	768	771	777	792	800
45°	634	635	642	656	668
55°	486	487	494	507	520
65°	332	332	340	351	363
75°	173	175	186	196	207
85°	27	28	35	47	57
90°	0	0	0	0	0

### MEDIUM WALL GRAZER

#### LOW OUTPUT:

##### BPRO5-FLSH-LED35-LO-4-MGZ-DM01

2037 Delivered Lumens  
15 Watts  
135 lm/w  
4000 CCT  
20° FWHM



#### Zonal Lumen Summary:

0-90 = 100%

2296

Vertical Angle	0°	25°	45°	65°	90°
90°	0	0	0	0	0
85°	52	53	32	27	28
75°	155	141	89	91	95
65°	217	181	145	181	189
55°	222	208	216	313	374
45°	259	264	301	480	714
35°	336	349	400	698	1226
25°	440	461	565	1082	1773
15°	713	788	1064	1748	2139
5°	1982	2053	2187	2332	2291
0°	2296	2296	2296	2296	2296

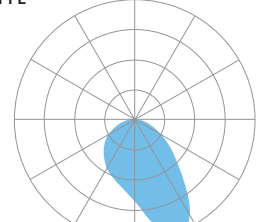
Vertical Angle	180°	202.5°	225°	247.5°	270°
5°	1541	1586	1772	2052	2291
15°	612	650	831	1358	2139
25°	423	435	505	851	1773
35°	332	342	380	588	1226
45°	250	254	292	426	714
55°	208	195	208	291	374
65°	210	171	141	174	189
75°	162	137	86	90	95
85°	57	53	30	26	28
90°	0	0	0	0	0

### PERIMETER FILL

#### LOW OUTPUT:

##### BPRO5-FLSH-LED35-LO-4-PFL

2042 Delivered Lumens  
15 Watts  
135 lm/w  
3500 CCT



#### Zonal Lumen Summary:

0-90 = 100%

1256

Vertical Angle	0°	25°	45°	65°	90°
90°	0	0	0	0	0
85°	27	27	30	32	31
75°	79	83	104	111	97
65°	151	163	225	232	167
55°	281	310	450	440	259
45°	550	613	811	662	373
35°	1042	1087	1078	764	491
25°	1256	1209	1024	798	607
15°	1019	993	906	808	698
5°	835	833	808	782	747
0°	754	754	754	754	754

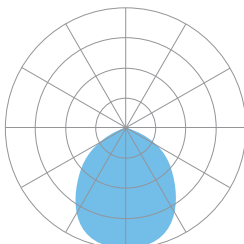
Vertical Angle	180°	202.5°	225°	247.5°	270°
5°	658	668	682	712	747
15°	520	528	550	605	698
25°	450	456	466	499	607
35°	397	397	402	414	491
45°	349	344	335	333	373
55°	294	285	261	243	259
65°	232	217	184	160	167
75°	154	141	107	93	97
85°	57	55	36	30	31
90°	0	0	0	0	0

### LOW GLARE PRISMATIC

#### STANDARD OUTPUT:

##### BPRO5-LED35-SO-LGP

3722 Delivered Lumens  
32 Watts  
117 lm/w  
3500 CCT



#### Zonal Lumen Summary:

0-90 = 100%

1855

Vertical Angle	0°	25°	45°	65°	90°
0°	1855	1855	1855	1855	1855
5°	1849	1844	1836	1845	1848
15°	1767	1756	1740	1738	1735
25°	1597	1580	1549	1525	1510
35°	1350	1328	1272	1212	1175
45°	1048	1012	897	766	718
55°	688	609	459	380	351
65°	351	305	247	216	204
75°	140	138	103	96	92
85°	32	41	30	27	28
90°	0	0	0	0	0

Consult factory for Regress and Louver IES:

marketing@prulite.com

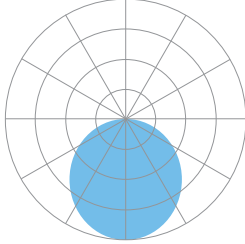


## REG.5:

### SATIN LENS

**STANDARD OUTPUT:**  
BPRO5-PER-REG.5-LED35-SO-SAL

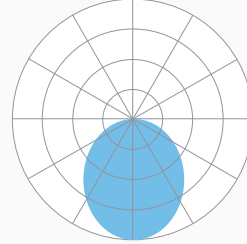
3784 Delivered Lumens  
33 Watts  
115 Lm/W  
3500 CCT



## REG1:

**STANDARD OUTPUT:**  
BPRO5-PER-REG1-LED35-SO-4-SAL

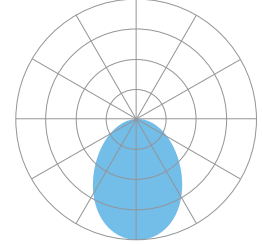
3631 Delivered Lumens  
31 Watts  
117 Lm/W  
3500 CCT



## REG3:

**STANDARD OUTPUT:**  
BPRO5-PER-REG3-LED35-SO-4-SAL

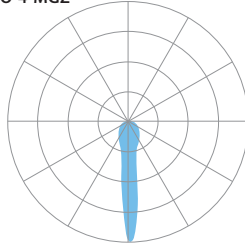
3226 Delivered Lumens  
31 Watts  
104 Lm/W  
3500 CCT



### MEDIUM WALL GRAZER

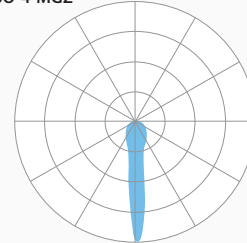
**STANDARD OUTPUT:**  
BPRO5-PER-REG.5-LED35-SO-4-MGZ

3950 Delivered Lumens  
31 Watts  
127 Lm/W  
3500 CCT  
16" FWHM



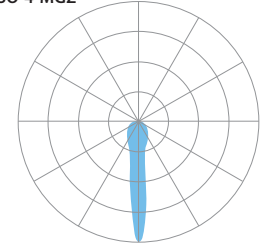
**STANDARD OUTPUT:**  
BPRO5-PER-REG1-LED35-SO-4-MGZ

3926 Delivered Lumens  
31 Watts  
125 Lm/W  
3500 CCT  
16" FWHM



**STANDARD OUTPUT:**  
BPRO5-PER-REG3-LED35-SO-4-MGZ

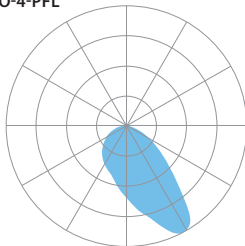
3643 Delivered Lumens  
31 Watts  
117 Lm/W  
3500 CCT  
16" FWHM



### PERIMETER FILL

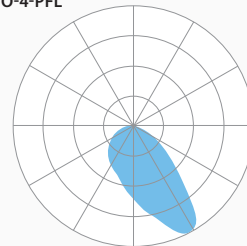
**STANDARD OUTPUT:**  
BPRO5-PER-REG.5-LED35-SO-4-PFL

3784 Delivered Lumens  
33 Watts  
115 Lm/W  
3500 CCT



**STANDARD OUTPUT:**  
BPRO5-PER-REG1-LED35-SO-4-PFL

3877 Delivered Lumens  
32 Watts  
123 Lm/W  
3500 CCT



PFL NOT AVAILABLE WITH REG3

UPTO **127** LPW

REG.5:	LO	MO	SO	HO
<b>SAL</b> Lm/Ft	450	670	900	1175
<b>MGZ</b> Lm/Ft	475	700	975	1225
<b>PFL</b> Lm/Ft	475	700	975	1225
W/Ft	3.8	5.6	7.8	10.5

LUMEN CHART AT 3500K-80 CRI

UPTO **125** LPW

REG1:	LO	MO	SO	HO
<b>SAL</b> Lm/Ft	425	650	875	1150
<b>MGZ</b> Lm/Ft	475	700	975	1225
<b>PFL</b> Lm/Ft	475	700	975	1225
W/Ft	3.8	5.6	7.8	10.5

LUMEN CHART AT 3500K-80 CRI

UPTO **117** LPW

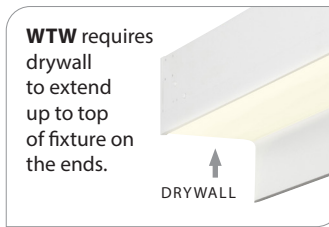
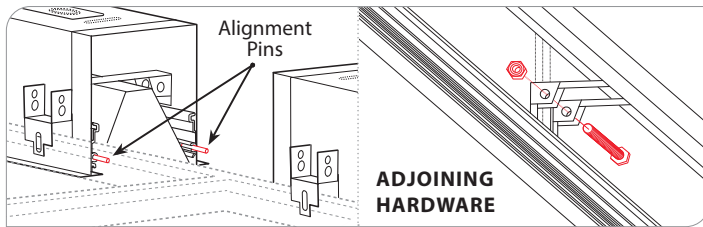
REG3:	LO	MO	SO	HO
<b>SAL</b> Lm/Ft	400	590	800	1040
<b>MGZ</b> Lm/Ft	450	670	900	1250
W/Ft	3.8	5.6	7.8	10.5

LUMEN CHART AT 3500K-80 CRI

Consult factory for Louver IES: [marketing@prulite.com](mailto:marketing@prulite.com)

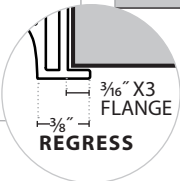
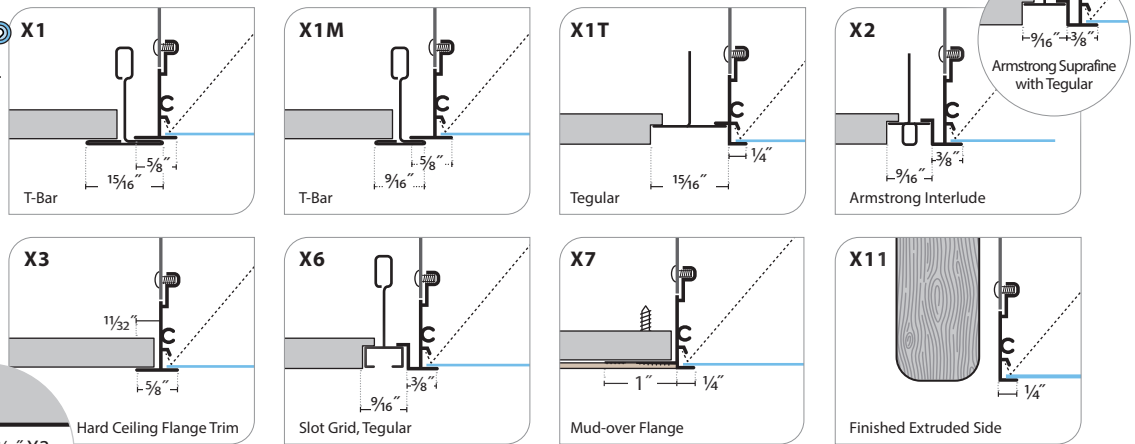
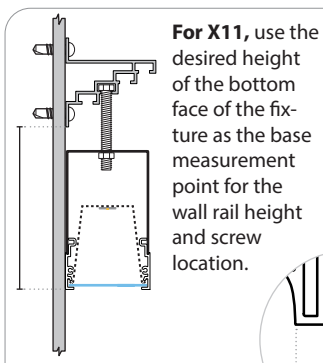


## ADJOINING DETAILS

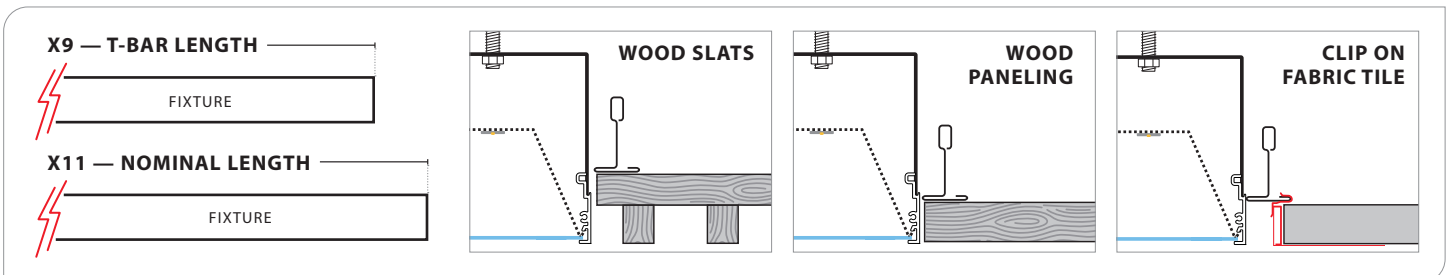


## CEILING SYSTEMS

SMART SPECS



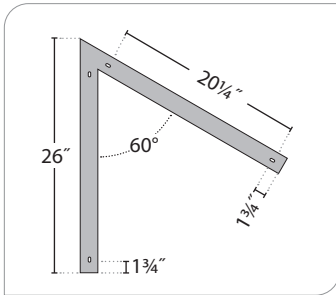
## X9 / X11



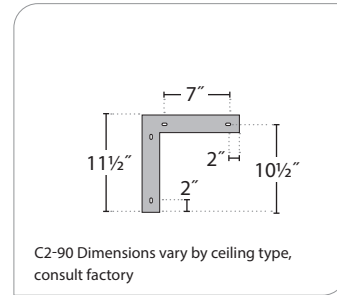


## CORNERS

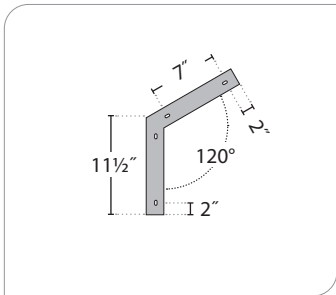
### C2-60 (INSIDE+OUTSIDE):



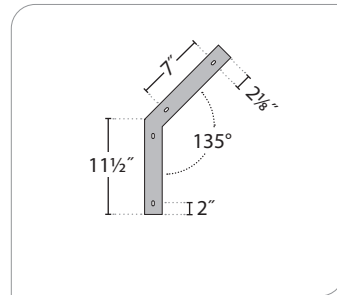
### C2-90 (INSIDE+OUTSIDE):



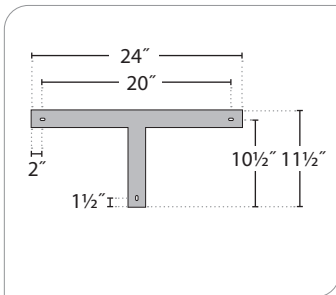
### C2-120 (INSIDE+OUTSIDE):



### C2-135 (INSIDE+OUTSIDE):

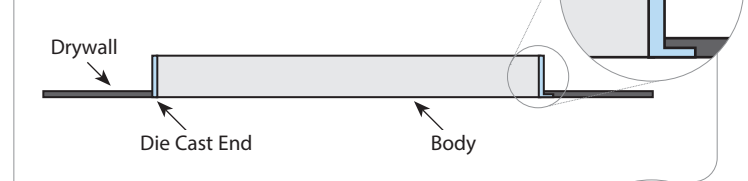


### C3T (3-WAY):

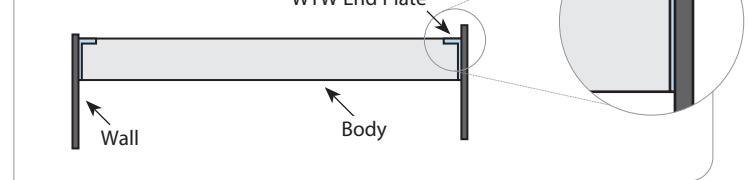


## MOUNTING

### LIGHT POCKET



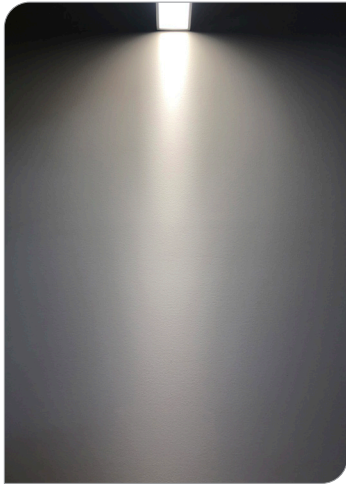
### WALL-TO-WALL



**NOTE:** LP and WTW odd length fixtures require a field-trimmed Filler fixture.

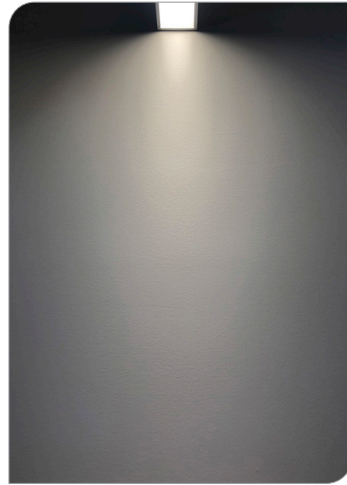


## FTR END OF ROW FEATHERING



Wall to wall (WTW) fixtures can project strong lighting distributions on perpendicular wall which some find undesirable.

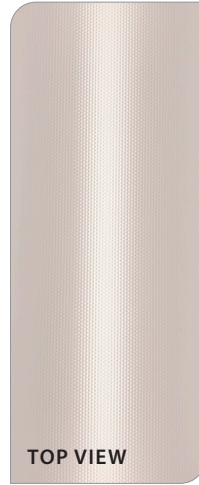
Medium Wall Graze (MGZ) shown above.



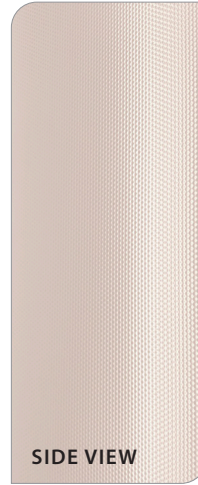
Feather (FTR) softens distributions on perpendicular walls.

Medium Wall Graze (MGZ) shown above with FTR NA with HO Output.

## LGP LOW GLARE PRISMATIC LENS



TOP VIEW



SIDE VIEW

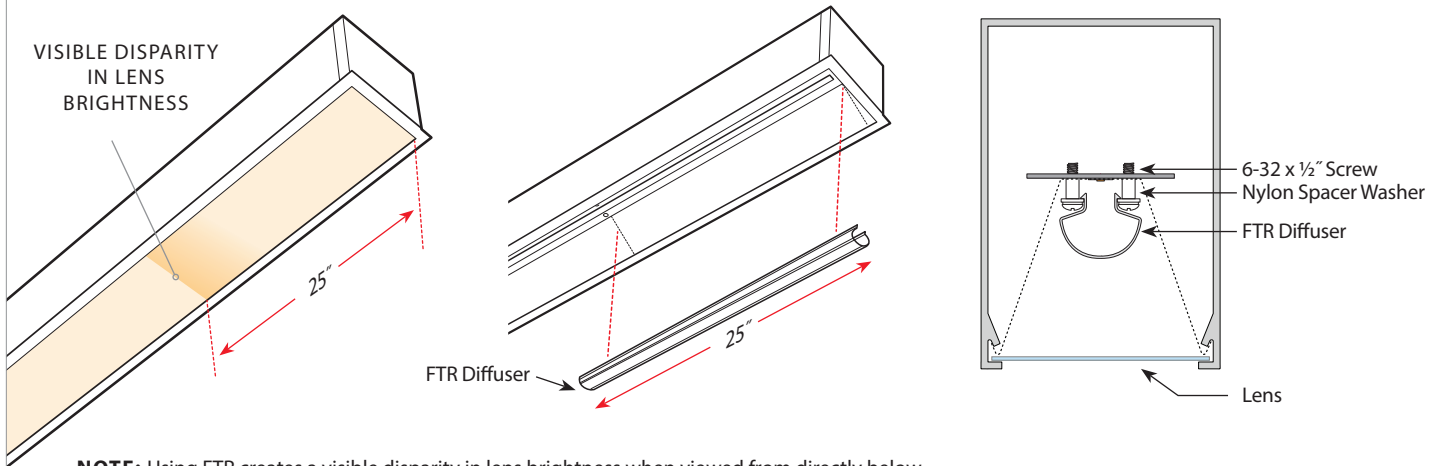
Low Glare Prismatic lens has a dynamic 'prismatic stripe' that 'follows the viewer' and offers a sense of depth. The narrow distribution has low glare (UGR) and meets WELL UGR of 16 or lower. It utilizes the FTR Diffuser (see below).

**NOTE:** Our Batwing lens also meets WELL UGR of 16 or less (BioPro 3-4-5). NA with HO output.



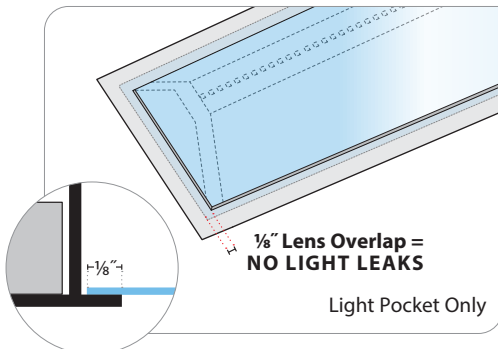
WELL OPTION 1B,  
FIXTURE UGR 16 OR LESS

## FTR (FEATHERING DIFFUSER) DETAIL



**NOTE:** Using FTR creates a visible disparity in lens brightness when viewed from directly below. FTR is NOT available dual-sided on two corners 5' or less.

## CAST ALUMINUM END CAPS



1/8" Lens Overlap =  
NO LIGHT LEAKS

Light Pocket Only

## SENSOR PLATE



## LOUVER DETAIL



90° louver corners available,  
consult factory for other corners



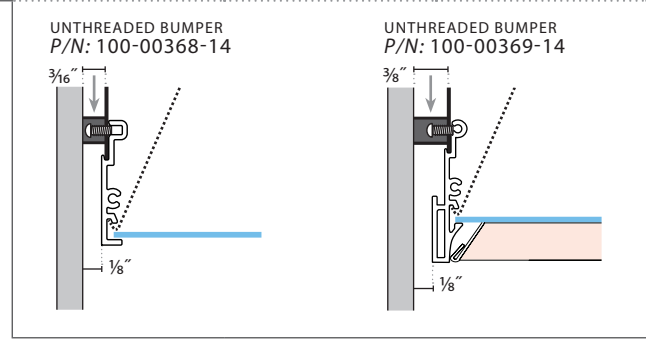
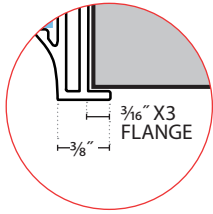
**WALL TO GRID (T-BAR) DIMENSIONS:  
CEILING OPENING (HARD CEILING) DIMENSIONS:**

X=	T-BAR (X1, X1M, X1T, X2, X6)	HARD CEILING (X3, X7)	X9 / X11
<b>NO LOUVERS</b>	5½"	5¾"	5⅛"
<b>WITH LOUVERS</b>	5¾"	5¾"	5½"

**XSR SHADOW REVEAL  
(OPTIONAL)**

T-BAR (X1, X1M, X1T, X2, X6)	HARD CEILING (X3, X7)	X9 / X11
5⅝"	5¾"	5¼"
5¾"	5½"	5⅝"

**NOTE:** X3 Hard Ceiling with Louver/Regress, fixtures **MUST** be installed before drywall



**T-BAR — X1, X1M, X1T, X2, X6**

**HARD CEILING — X3, X7, X11  
T-BAR — X9**

**T-BAR — X1, X1M, X1T, X2, X6**

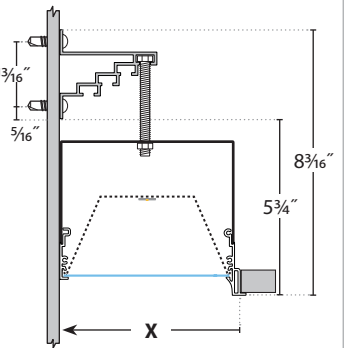
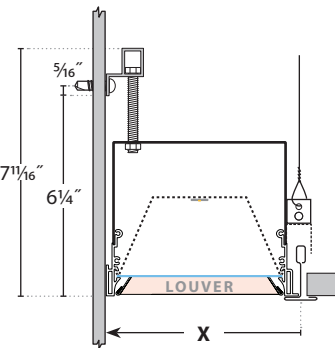
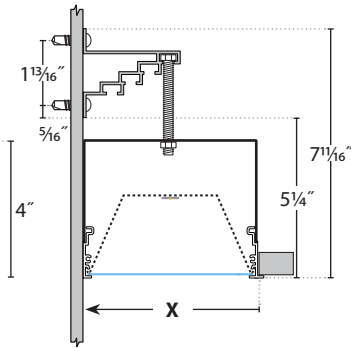
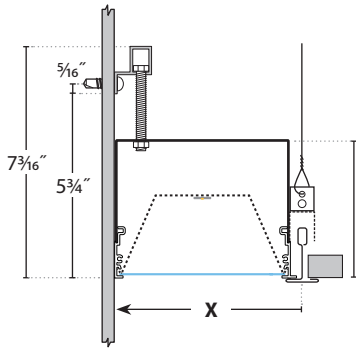
**HARD CEILING — X3, X7, X11  
T-BAR — X9**

**FLSH:**

**FLSH:**

**LVR:**

**REG.5:**



**T-BAR — X1, X1M, X1T, X2, X6**

**HARD CEILING — X3, X7, X11  
T-BAR — X9**

**T-BAR — X1, X1M, X1T, X2, X6**

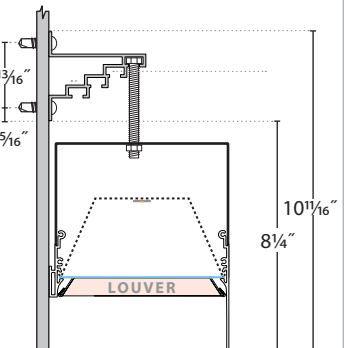
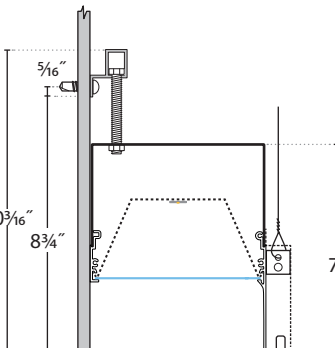
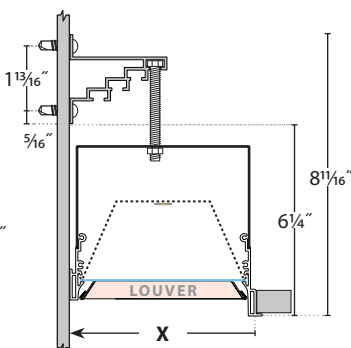
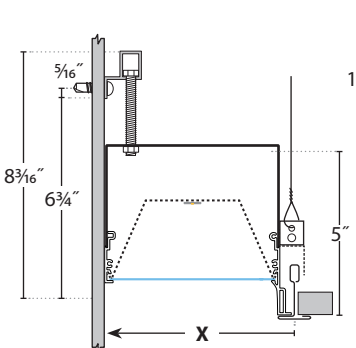
**HARD CEILING — X3, X7, X11  
T-BAR — X9**

**REG.1:**

**LVR1:**

**REG3:**

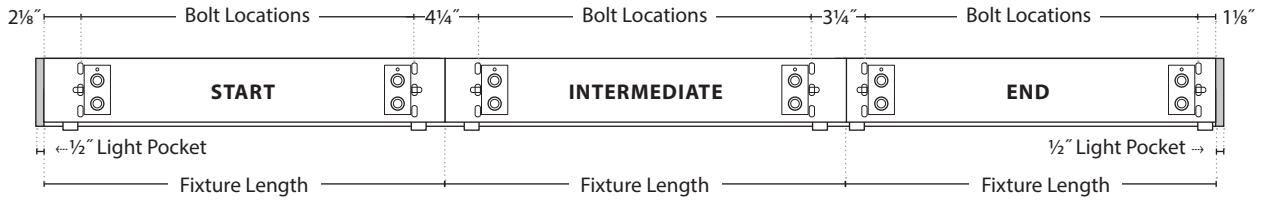
**LVR3:**



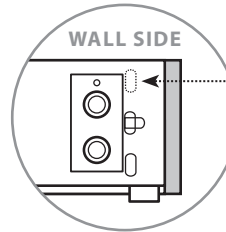
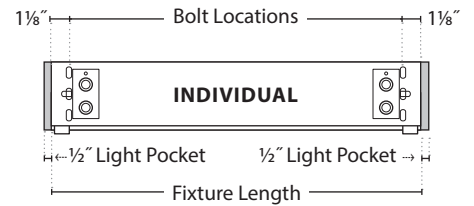


## T-BAR — X1, X1M, X1T, X2, X6, X9

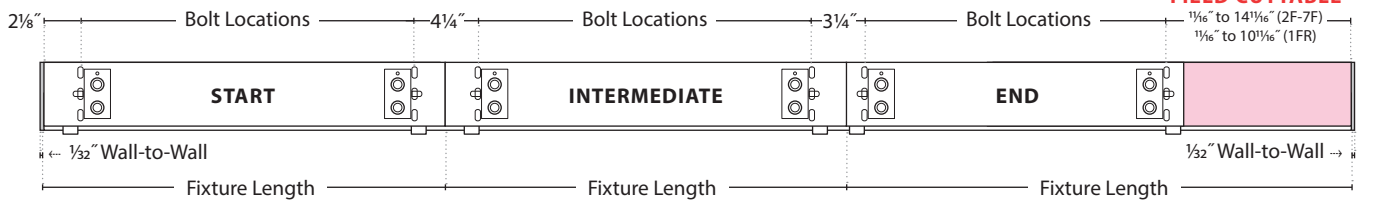
### LIGHT POCKET (LP):



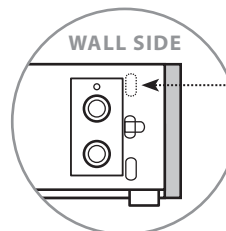
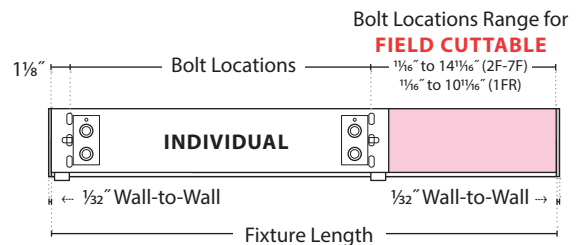
	FIXTURE LENGTHS		BOLT LOCATIONS
	Start / Intermediate	End / Individual	
2'	24"	22"	19 3/4"
3'	36"	34"	31 3/4"
4'	48"	46"	43 3/4"
5'	60"	58"	55 3/4"
6'	72"	70"	67 3/4"
7'	84"	82"	79 3/4"
8'	96"	94"	91 3/4"



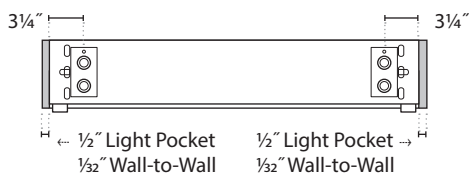
### WALL-TO-WALL (WTW):



	FIXTURE LENGTH		BOLT LOCATIONS		
	Start / Intermediate	—	Filler	—	
—	—	—	1FR	16" - 26"	14 1/8"
2'	24"	19 3/4"	2F	24" - 38"	22 1/8"
3'	36"	31 3/4"	3F	36" - 50"	34 1/8"
4'	48"	43 3/4"	4F	48" - 62"	46 1/8"
5'	60"	55 3/4"	5F	60" - 74"	58 1/8"
6'	72"	67 3/4"	6F	72" - 86"	70 1/8"
7'	84"	79 3/4"	7F	84" - 98"	82 1/8"
8'	96"	91 3/4"	—	—	—



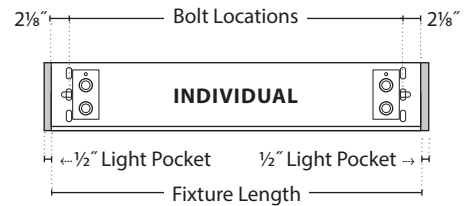
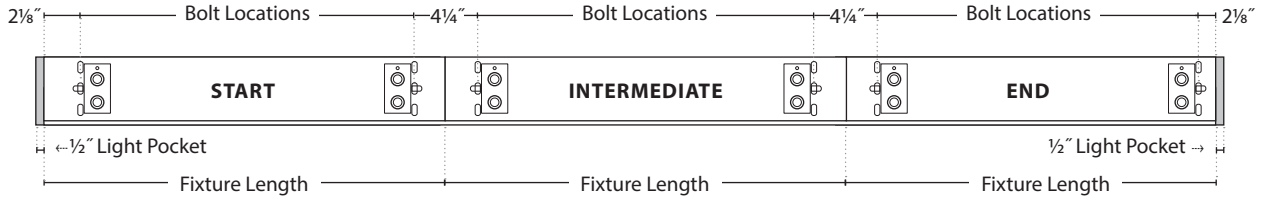
### POWER FEED LOCATIONS:



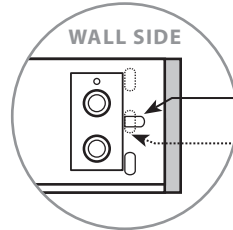


## HARD CEILING — X3, X7, X11

### LIGHT POCKET (LP):

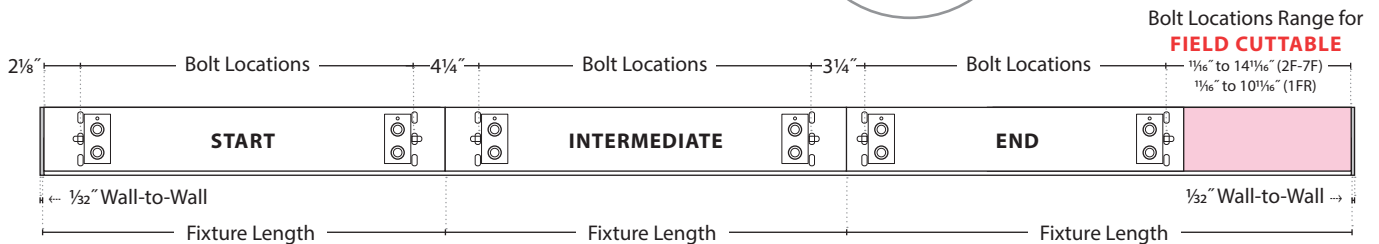


	FIXTURE LENGTHS				BOLT LOCATIONS			
	Start	Intermediate	End	Individual	Start	Intermediate	End	Individual
2'	24"				19 3/4"			
3'	36"				31 3/4"			
4'	48"				43 3/4"			
5'	60"				55 3/4"			
6'	72"				67 3/4"			
7'	84"				79 3/4"			
8'	96"				91 3/4"			



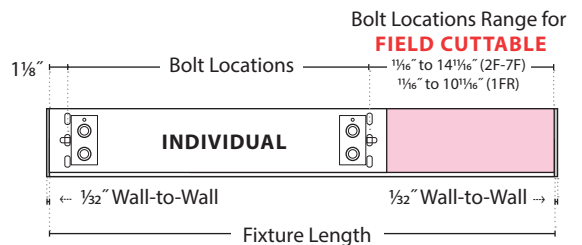
**BOLT LOCATIONS**  
 XSR / LOUVER OPTIONS  
 NON-XSR / NON-LOUVER OPTIONS

### WALL-TO-WALL (WTW):

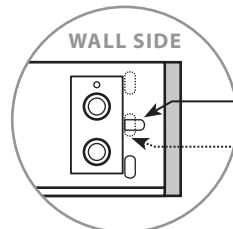


Bolt Locations Range for **FIELD CUTTABLE**  
 1/16" to 14 1/16" (2F-7F)  
 1/16" to 10 1/16" (1FR)

	FIXTURE LENGTH		BOLT LOCATIONS	
	Start / Intermediate	Filler	Start / Intermediate	Filler
—	—	—	—	—
2'	24"	16" - 26"	19 3/4"	14 1/8"
3'	36"	24" - 38"	31 3/4"	22 1/8"
4'	48"	36" - 50"	43 3/4"	34 1/8"
5'	60"	48" - 62"	55 3/4"	46 1/8"
6'	72"	60" - 74"	67 3/4"	58 1/8"
7'	84"	72" - 86"	79 3/4"	70 1/8"
8'	96"	84" - 98"	91 3/4"	82 1/8"

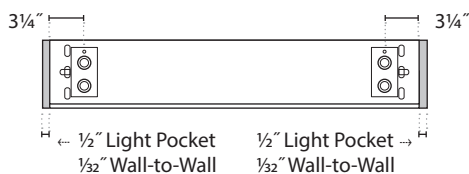


Bolt Locations Range for **FIELD CUTTABLE**  
 1/16" to 14 1/16" (2F-7F)  
 1/16" to 10 1/16" (1FR)



**BOLT LOCATIONS**  
 XSR / LOUVER OPTIONS  
 NON-XSR / NON-LOUVER OPTIONS

### POWER FEED LOCATIONS:





## ROW BUILDER

### LIGHT POCKET (LP):

ROW LENGTH	FIXTURE ROW
9'	4FT STR + 5FT END
10'	4FT STR + 6FT END
11'	4FT STR + 7FT END
12'	8FT STR + 4FT END
13'	8FT STR + 5FT END
14'	8FT STR + 6FT END
15'	8FT STR + 7FT END
16'	8FT STR + 8FT END
17'	4FT STR + (1) 8FT INT + 5FT END
18'	4FT STR + (1) 8FT INT + 6FT END
19'	4FT STR + (1) 8FT INT + 7FT END
20'	8FT STR + (1) 8FT INT + 4FT END
21'	8FT STR + (1) 8FT INT + 5FT END
22'	8FT STR + (1) 8FT INT + 6FT END
23'	8FT STR + (1) 8FT INT + 7FT END
24'	8FT STR + (1) 8FT INT + 8FT END
25'	4FT STR + (2) 8FT INT + 5FT END
26'	4FT STR + (2) 8FT INT + 6FT END
27'	4FT STR + (2) 8FT INT + 7FT END
28'	8FT STR + (2) 8FT INT + 4FT END
29'	8FT STR + (2) 8FT INT + 5FT END
30'	8FT STR + (2) 8FT INT + 6FT END
31'	8FT STR + (2) 8FT INT + 7FT END
32'	8FT STR + (2) 8FT INT + 8FT END
33'	4FT STR + (3) 8FT INT + 5FT END
34'	4FT STR + (3) 8FT INT + 6FT END
35'	4FT STR + (3) 8FT INT + 7FT END
36'	8FT STR + (3) 8FT INT + 4FT END
37'	8FT STR + (3) 8FT INT + 5FT END
38'	8FT STR + (3) 8FT INT + 6FT END
39'	8FT STR + (3) 8FT INT + 7FT END
40'	8FT STR + (3) 8FT INT + 8FT END
41'	4FT STR + (4) 8FT INT + 5FT END
42'	4FT STR + (4) 8FT INT + 6FT END
43'	4FT STR + (4) 8FT INT + 7FT END
44'	8FT STR + (4) 8FT INT + 4FT END
45'	8FT STR + (4) 8FT INT + 5FT END
46'	8FT STR + (4) 8FT INT + 6FT END
47'	8FT STR + (4) 8FT INT + 7FT END
48'	8FT STR + (4) 8FT INT + 8FT END
49'	4FT STR + (5) 8FT INT + 5FT END
50'	4FT STR + (5) 8FT INT + 6FT END

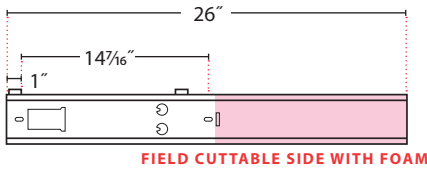
### WALL-TO-WALL (WTW):

ROW LENGTH	FIXTURE ROW	MINIMUM FILLER LENGTH	MAXIMUM FILLER LENGTH
9'	4FT STR + 4FT FILLER	8' - 0" (96")	9' - 2" (110")
10'	4FT STR + 5FT FILLER	9' - 0" (108")	10' - 2" (122")
11'	4FT STR + 6FT FILLER	10' - 0" (120")	11' - 2" (134")
12'	4FT STR + 7FT FILLER	11' - 0" (132")	12' - 2" (146")
13'	8FT STR + 4FT FILLER	12' - 0" (144")	13' - 2" (158")
14'	8FT STR + 5FT FILLER	13' - 0" (156")	14' - 2" (170")
15'	8FT STR + 6FT FILLER	14' - 0" (168")	15' - 2" (182")
16'	8FT STR + 7FT FILLER	15' - 0" (180")	16' - 2" (194")
17'	4FT STR + (1) 8FT INT + 4FT FILLER	16' - 0" (192")	17' - 2" (206")
18'	4FT STR + (1) 8FT INT + 5FT FILLER	17' - 0" (204")	18' - 2" (218")
19'	4FT STR + (1) 8FT INT + 6FT FILLER	18' - 0" (216")	19' - 2" (230")
20'	4FT STR + (1) 8FT INT + 7FT FILLER	19' - 0" (228")	20' - 2" (242")
21'	8FT STR + (1) 8FT INT + 4FT FILLER	20' - 0" (240")	21' - 2" (254")
22'	8FT STR + (1) 8FT INT + 5FT FILLER	21' - 0" (252")	22' - 2" (266")
23'	8FT STR + (1) 8FT INT + 6FT FILLER	22' - 0" (264")	23' - 2" (278")
24'	8FT STR + (1) 8FT INT + 7FT FILLER	23' - 0" (276")	24' - 2" (290")
25'	4FT STR + (2) 8FT INT + 4FT FILLER	24' - 0" (288")	25' - 2" (302")
26'	4FT STR + (2) 8FT INT + 5FT FILLER	25' - 0" (300")	26' - 2" (314")
27'	4FT STR + (2) 8FT INT + 6FT FILLER	26' - 0" (312")	27' - 2" (326")
28'	4FT STR + (2) 8FT INT + 7FT FILLER	27' - 0" (324")	28' - 2" (338")
29'	8FT STR + (2) 8FT INT + 4FT FILLER	28' - 0" (336")	29' - 2" (350")
30'	8FT STR + (2) 8FT INT + 5FT FILLER	29' - 0" (348")	30' - 2" (362")
31'	8FT STR + (2) 8FT INT + 6FT FILLER	30' - 0" (360")	31' - 2" (374")
32'	8FT STR + (2) 8FT INT + 7FT FILLER	31' - 0" (372")	32' - 2" (386")
33'	4FT STR + (3) 8FT INT + 4FT FILLER	32' - 0" (384")	33' - 2" (398")
34'	4FT STR + (3) 8FT INT + 5FT FILLER	33' - 0" (396")	34' - 2" (410")
35'	4FT STR + (3) 8FT INT + 6FT FILLER	34' - 0" (408")	35' - 2" (422")
36'	4FT STR + (3) 8FT INT + 7FT FILLER	35' - 0" (420")	36' - 2" (434")
37'	8FT STR + (3) 8FT INT + 4FT FILLER	36' - 0" (432")	37' - 2" (446")
38'	8FT STR + (3) 8FT INT + 5FT FILLER	37' - 0" (444")	38' - 2" (458")
39'	8FT STR + (3) 8FT INT + 6FT FILLER	38' - 0" (456")	39' - 2" (470")
40'	8FT STR + (3) 8FT INT + 7FT FILLER	39' - 0" (468")	40' - 2" (482")
41'	4FT STR + (4) 8FT INT + 4FT FILLER	40' - 0" (480")	41' - 2" (494")
42'	4FT STR + (4) 8FT INT + 5FT FILLER	41' - 0" (492")	42' - 2" (506")
43'	4FT STR + (4) 8FT INT + 6FT FILLER	42' - 0" (504")	43' - 2" (518")
44'	4FT STR + (4) 8FT INT + 7FT FILLER	43' - 0" (516")	44' - 2" (530")
45'	8FT STR + (4) 8FT INT + 4FT FILLER	44' - 0" (528")	45' - 2" (542")
46'	8FT STR + (4) 8FT INT + 5FT FILLER	45' - 0" (540")	46' - 2" (554")
47'	8FT STR + (4) 8FT INT + 6FT FILLER	46' - 0" (552")	47' - 2" (566")
48'	8FT STR + (4) 8FT INT + 7FT FILLER	47' - 0" (564")	48' - 2" (578")
49'	4FT STR + (5) 8FT INT + 4FT FILLER	48' - 0" (576")	49' - 2" (590")
50'	4FT STR + (5) 8FT INT + 5FT FILLER	49' - 0" (588")	50' - 2" (602")



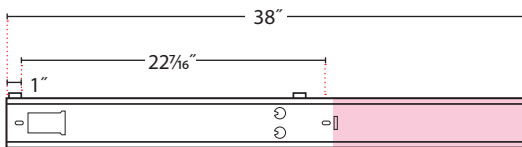
## FILLER FIXTURES

### 1FR (REMOTE DRIVER):



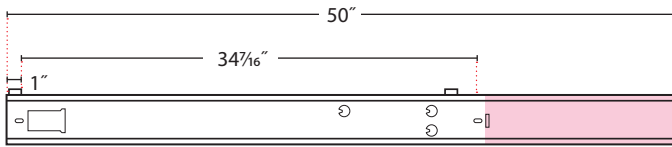
FIELD CUTTABLE SIDE WITH FOAM

### 2F:



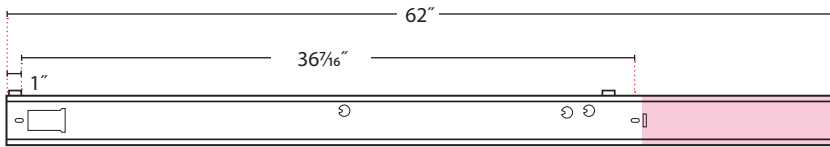
FIELD CUTTABLE SIDE WITH FOAM

### 3F:



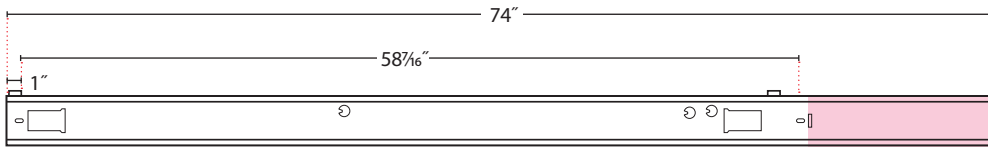
FIELD CUTTABLE SIDE WITH FOAM

### 4F:



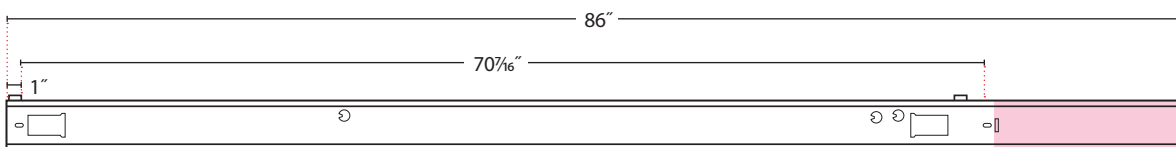
FIELD CUTTABLE SIDE WITH FOAM

### 5F:



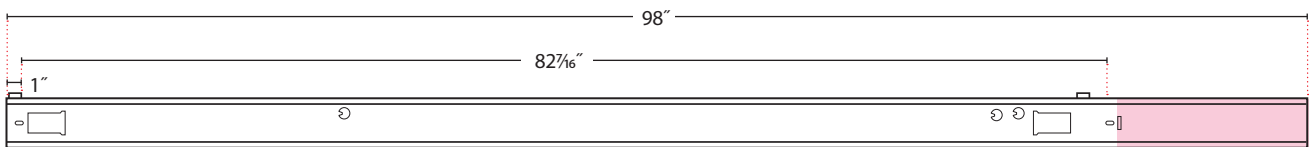
FIELD CUTTABLE SIDE WITH FOAM

### 6F:



FIELD CUTTABLE SIDE WITH FOAM

### 7F:



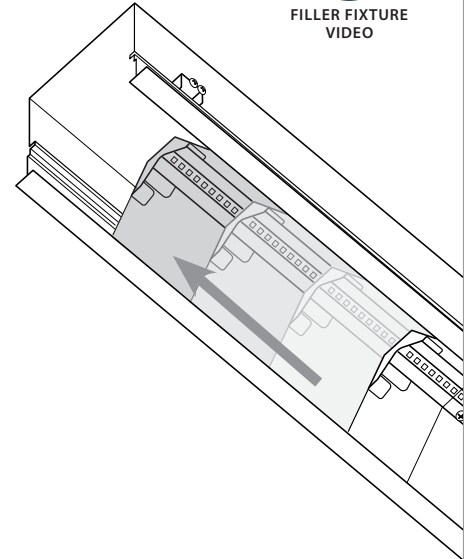
FIELD CUTTABLE SIDE WITH FOAM

 POWER ACCESS PLATE       1/4-20 MOUNTING HOLES

- Telescoping 2' – 8' fixtures. Fixtures adjust in length: 2' to 3', 4' to 5', 7' to 8', etc.
- Looks like a custom length fixture:  
7' 8" = one field-adjusted fixture, no trim seams (seamless lens).
- Optical performance identical to standard fixtures.
- Much lower cost for wall-to-wall installs (one less fixture).
- Way easier installs, one cut, no assembly, installs like a standard fixture.



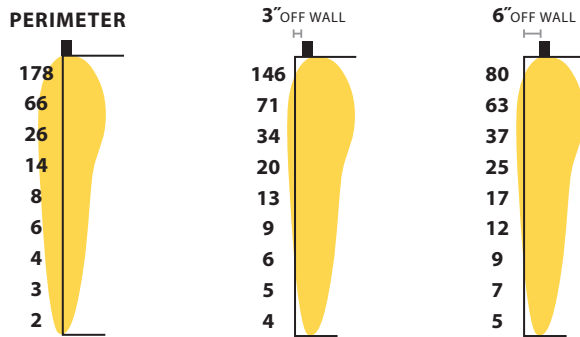
FILLER FIXTURE VIDEO





## Medium Wall Graze (MGZ)

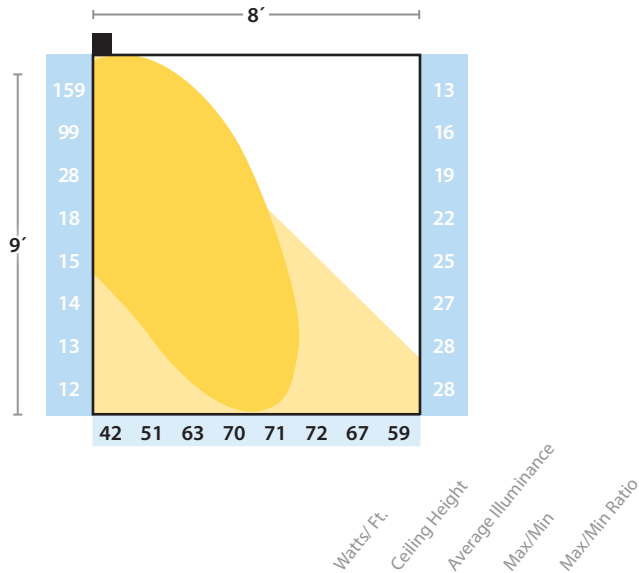
Wall grazing performance often better just off a wall.



See BionicPro recessed linear specs

## Perimeter Fill (PFL)

Wash a corridor in light from one side of the perimeter. Our Perimeter Fill is ideal for hospital corridors where a 50 fc average is needed.



<b>High Output</b>   1225 lumens/ft	1	10'	<b>65 fc</b>	74/59	1.2
-------------------------------------	---	-----	--------------	-------	-----



WIRING DIAGRAMS  
SPEC



PRUDENTIAL LTG.

PRULITE.COM 213.746.0360

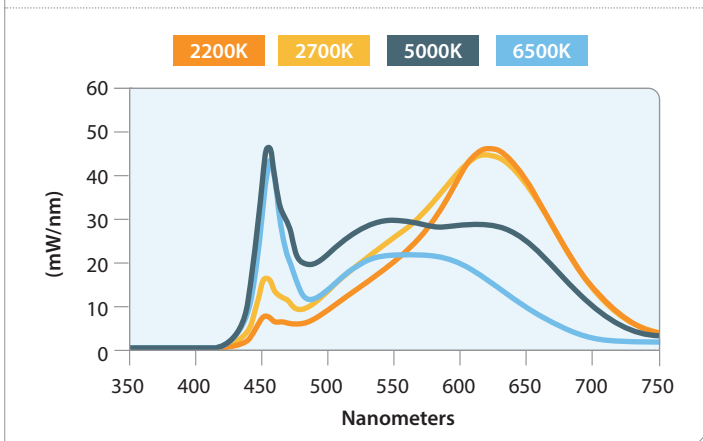
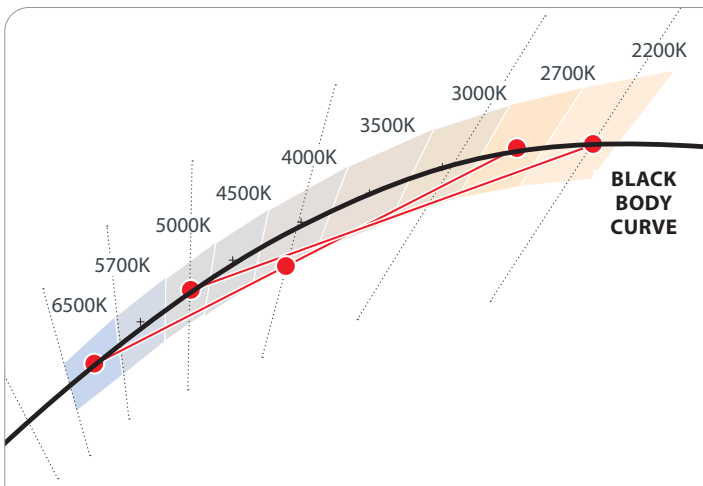
Lumen Outputs:				
	BLUHUE, TUHUE, TUHUE2, AMBERHUE			
DIRECT:	LO	MO	SO	HO*
SAL Lm/Ft	205	385	550	715
PFL Lm/Ft	215	395	565	730
LGP Lm/Ft	225	405	580	750
W/Ft	3.8	5.6	7.8	10.5

\*\* TU2 + AMB NOT AVAILABLE HO / CHROMAHUE ONLY AVAILABLE ON HO



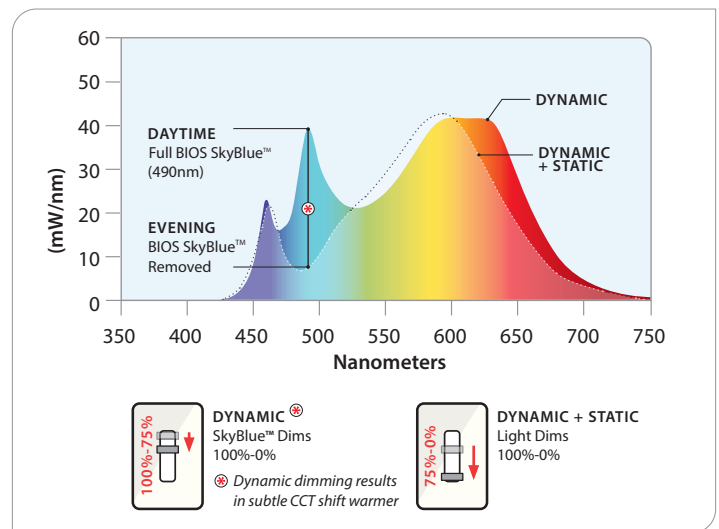
Prudential Lighting's **TuHue** Tunable White provides warm to cool white light simulating sunlight. Controlling the light source color temperature offers differing design aesthetics with potential benefits via circadian rhythm support. Blue light for alertness while warm light conveys tranquility.

- 2700K-6500K or 2200K-5000K.
- Adjust the color temperate and brightness separately.
- Simulates warm to cool to warm transition of sunlight.



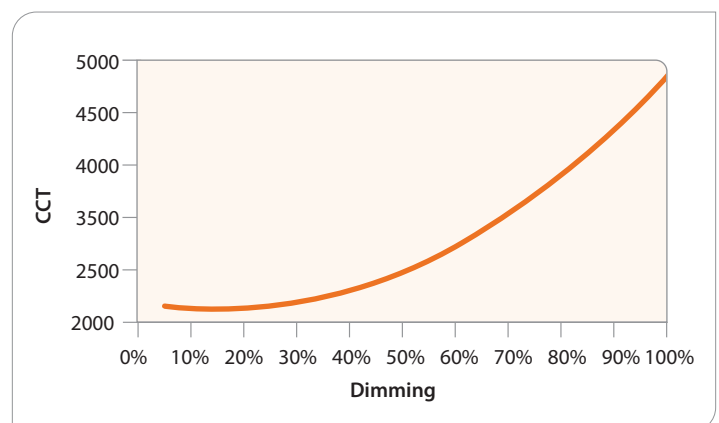
**BluHue BIOS SkyBlue™** circadian LED lighting brings the benefits of blue skies inside. Newly discovered blue-sky receptors in our eyes drive improved daytime alertness, mood, brain function, and strengthens circadian rhythms leading to overall better health and well-being.

- Circadian rhythms play an integral role in physical and mental health.
- BluHue BIOS SkyBlue pinpoints peak 490nm sensitivity to provide the most benefit from an electric light source.
- At night, simply dim the lights to remove SkyBlue™ wavelengths (specify "Blu\_D" to dim Cyan SkyBlue spike separately [night mode]).



**AmberHue** is Prudential Lighting's Warm Dim offering. It transitions bright white light to warm amber light as brightness is dimmed, reflecting sunlight's transitioning from intense blue midday light to a dimmed golden hue near sunset, also reminiscent of soft glowing candlelight.

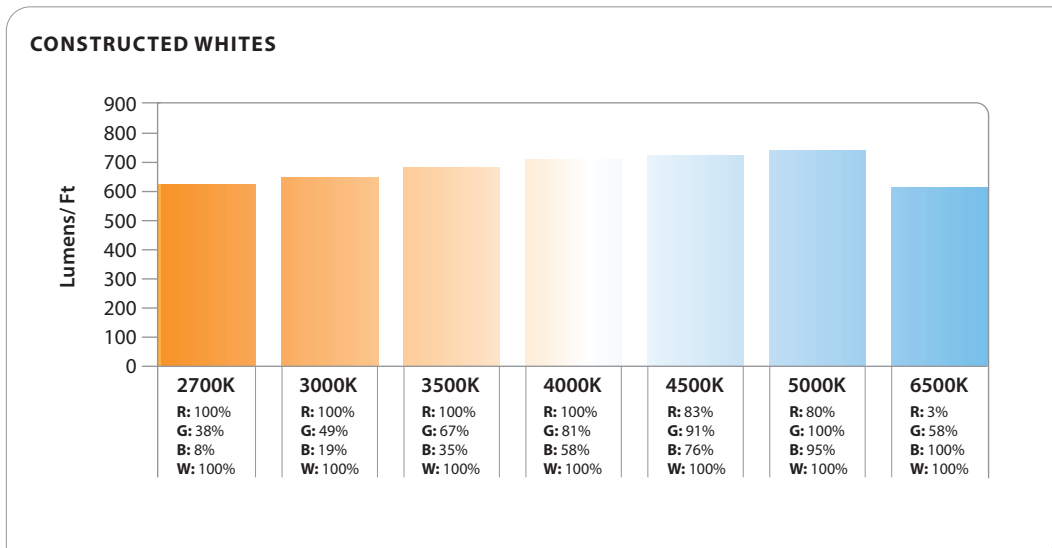
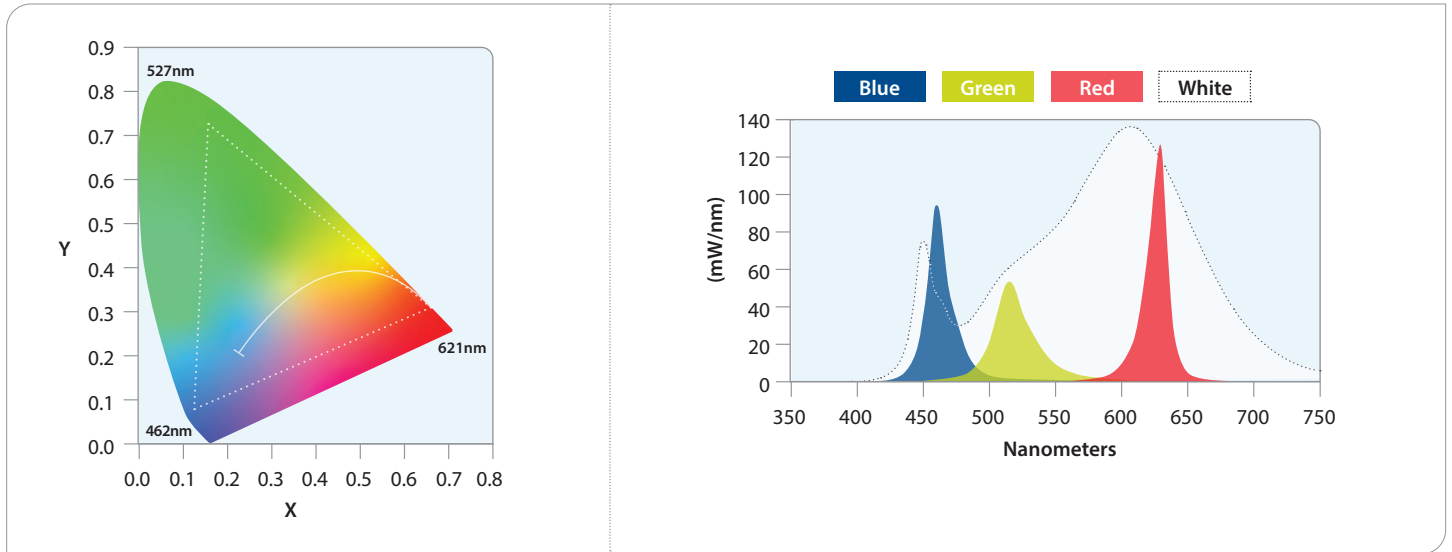
- Warm Dim 2200K-5000K.
- Color temperature warms as the luminaire is dimmed.
- Calm, relaxing mood communicated – hospitality, residential feel.





**ChromaHue** offers a vibrant full gamut of colors for seemingly endless architectural interior applications. Rich color-changing light offers tremendous design flexibility while white light can be achieved with the White chip, or mixing of Red, Green and Blue light. No longer just for the entertainment industry, ChromaHue can be intermixed on BionicPro luminaires for mood-creating indirect illumination combined with static white direct light.

- RGBW LED array (Red, Green, Blue, White) with full spectrum color and white light on the black body curve.
- Four-channel control, DMX drivers.
- Any color point within the triangle can be reached by setting the proper output levels for each individual red, green, blue and white channels.
- Standard DMX is one zone with one XLR drop at start, one XLR return at the end.





## LM79 & TM30 DATA:

	MEASURED CCT	MEASURED LUMENS	CRI	R9	DuV	SPD	TM30 — COLOR VECTOR	TM30 — COLOR DISTORTION
<b>LED27</b>	2680	80%	93	58	0.001		 89 Rf	 97 Rg
<b>LED3</b>	3042	95%	82	6	0.001		 81 Rf	 92 Rg
<b>LED3-90</b>	3016	85%	93	61	0.000		 88 Rf	 96 Rg
<b>LED35</b>	3482	100%	82	3	0.002		 81 Rf	 92 Rg
<b>LED35-90</b>	3417	85%	93	67	0.000		 88 Rf	 96 Rg
<b>LED4</b>	3952	102%	82	4	0.003		 81 Rf	 92 Rg
<b>LED4-90</b>	3882	85%	92	67	0.003		 87 Rf	 96 Rg
<b>LED5-90</b>	4889	85%	94	84	0.002		 86 Rf	 95 Rg












## LM79 & TM30 DATA:

		MEASURED CCT	MEASURED LUMENS	CRI	R9	LED27	SPD	TM30 — COLOR VECTOR
<b>BH3S&amp;D</b>	bios 3000K	2779	2758	87	81	0.003		
	<b>BH3D</b> SKY BLUE DIMMED	2715	2425	82	3	0.002		
<b>BH35S&amp;D</b>	bios 3500K	3245	2919	85	87	0.003		
	<b>BH35D</b> SKY BLUE DIMMED	3061	2502	83	7	0.001		
<b>BH4&amp;D</b>	bios 4000K	3624	2993	85	86	0.004		
	<b>BH4D</b> SKY BLUE DIMMED	3388	2585	83	5	0.002		
<b>TH</b>	LED27	2684	2456	92	57	0.0001		
	LED65	6061	3292	82	-1	0.006		
<b>TH2</b>	LED22	2209	2112	92	52	0.0005		
	LED50	4796	2789	93	77	0.004		
<b>CH</b>	2700K	2632	2469	82	50	0.003		
	3500K	3388	2585	83	5	0.002		
	4000K	3977	2682	83	29	0.003		
	5000K	5233	2823	84	21	0.003		



SENSORS

				
<b>205:</b> Wattstopper	<b>LVOC:</b> Lutron Occupancy /Daylight Sensor	<b>LVRF:</b> Lutron Vive Control Node	<b>NXSMP:</b> Hubbell Occupancy /Daylight Sensor	<b>ATHENA</b>
Low voltage PIR fixture integrated occupancy sensor.	Measures light in the space (daylighting) while detecting people moving within an area using passive infrared to determine occupancy.  Controls the lights to balance the light level in the space, combining convenience, exceptional energy savings, and ease of installation.	Provides wireless control of the fixture when neither occupancy nor daylight sensing is needed.	Hubbell Integrated/embedded networked lighting control, luminaire-level lighting control, LLLC.  PIR motion sensor for automatic On/Off control.  Integrated daylight sensor for daylight harvesting and/or lumen maintenance.  Bluetooth radio provides wireless control of luminaire.  Simple plug-in connection to NX Fixture Modules.  Wireless Internet.	The Athena wireless node is a radio frequency (RF) device that enables simple, digital control of individual light fixtures in an Athena control system.  The small size and compatibility with a wide variety of drivers allow for seamless integration with common commercial lighting fixtures from any manufacturer.  Requires drivers with auxiliary power, consult factory for lead times

			
<b>NLT-AIR-rIO:</b> Daylight+Occ	<b>NLT-AIR-ADCX:</b> Daylight+(PIR Acoustic) Occ	<b>NLT-WIRED-nIO:</b> Daylight+Occ	<b>NLT-WIRED-ADCX:</b> Daylight+(PIR Acoustic) Occ
The rIO is a fixture embedded low voltage wireless nLight AIR device capable of individual fixture control and analog or digital dimming. This smart device results in the luminaire being “nLight AIR-enabled” — making it an addressable nLight AIR device. It uses a 900MHz radio to communicate with other nLight AIR devices, such as occupancy sensors, photocells, wall switches, powerpacks and other nLight AIR-enabled luminaires. This allows for advanced operation and design flexibility ranging from stand-alone rooms to building and campus-wide networks.	The nLight® AIR rES7 sensor is an in-fixture, low voltage, digital sensor providing embedded wireless lighting control, analog or digital dimming, occupancy detection and daylight harvesting capabilities.  The rES7 is designed for mounting heights up to 20 ft in indoor luminaires. The rES7 sensor provides Passive Infrared (PIR) occupancy detection over a 15-20 ft (4.57 - 6.10 m) radial coverage pattern and photocell light level detection in one compact low profile design with optional Dual Technology, which adds Microphonics™ to PIR detection. The rES7 sensor is ideal for occupancy and daylighting control in suspended or recessed luminaires.	nLight digital nIO modules are low voltage control devices that enable digital control of LEDcode enabled eldoLED LED drivers. Through eldoLED's bi-directional 2-wire interface, these modules deliver natural, flicker-free high performance dimming while eliminating common issues related to 0-10 VDC alternatives. The modules also enable the eldoLED LED Drivers to be addressable, as well as capable of digitally communicating with other nLight controls such as occupancy sensors, photocells, and WallPods. This allows for advanced operation and design flexibility ranging from stand-alone rooms to building and campus-wide networks.	The nES7 is a small passive infrared occupancy sensor designed to be easily embedded into luminaires. This sensor provides excellent line of sight 360° PIR detection of small motion and walking motion. The nES7 is ideal for small rooms without obstructions or areas with primarily walking motion (e.g. corridors, library stacks). Additionally, an optional integrated photocell enables daylight harvesting control as well. Typically one or more nES7 sensors are paired with an nLight controller within an nLight enabled luminaire.  For rooms like classrooms and private offices or any space with obstructions, the nES PDT 7 dual technology sensor is recommended.