

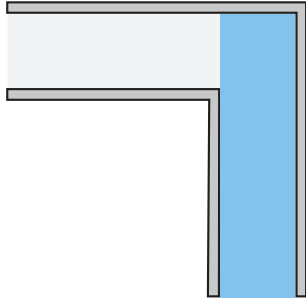


INSTALLATION INSTRUCTIONS

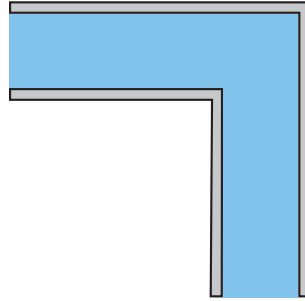
C2-9 0, 120, 135 CORNERS

OPTION 1

- 1) Install lens until it hits the opposing wall.

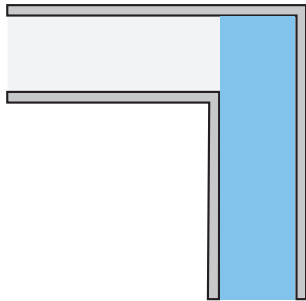


- 2) Install second lens until it hits the opposing lens.

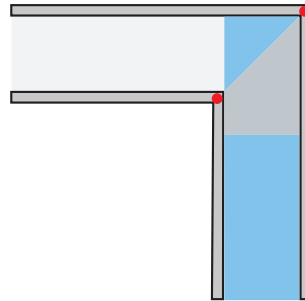


OPTION 2

- 1) Install lens until it hits the opposing wall.



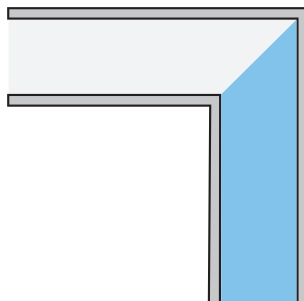
- 3) Install lens until it hits the opposing wall.



- 4) Cut lens.



- 5) Install lens. Repeat for remaining leg.



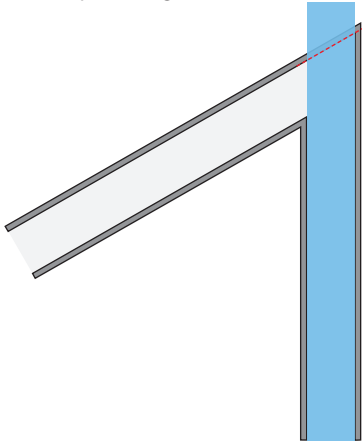
WARNING: Ground fixture in accordance with local and national electrical codes. Failure to do so may result in serious personal injury.



INSTALLATION INSTRUCTIONS

C2-60 CORNERS

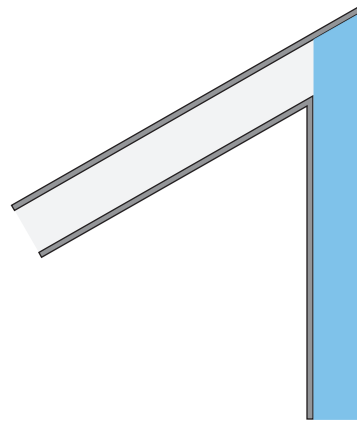
- 1)** Overlay lens so that the lens covers the fixture opening. Mark along the exposed edge.



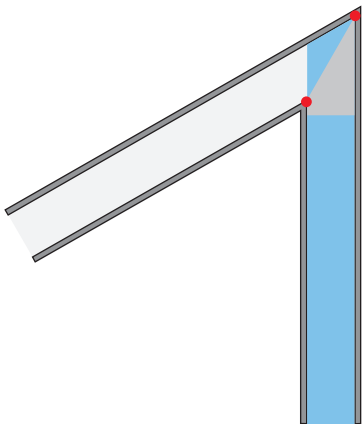
- 2)** Precut lens



- 3)** Reinstall the lens until it hits the first opposing side wall.



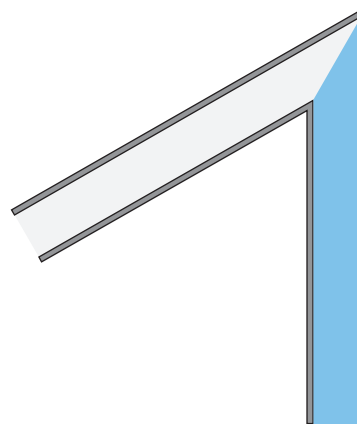
- 4)** Place the template aligning the corners of the fixture with red template (red dots). Mark the cut line.



- 5)** Cut lens.



- 6)** Reinstall lens.



- 7)** Repeat for remaining leg, installing lens sleeve before the second lens.

WARNING: Ground fixture in accordance with local and national electrical codes. Failure to do so may result in serious personal injury.