



# Gaze | Pendant & Surface

## Surface Flush / Surface Standoff

### INSTALLATION INSTRUCTIONS



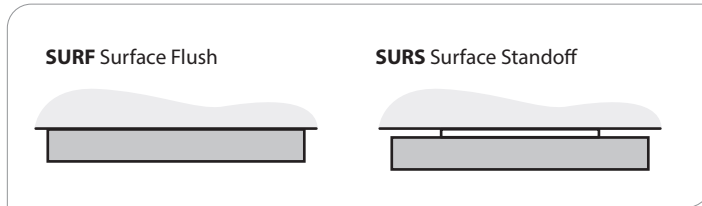
PRUDENTIAL LTG.

PRULITE.COM 213.746.0360

## X3 — HARD CEILING

**MAY REQUIRE TWO PEOPLE TO INSTALL**

### MOUNTING OPTIONS

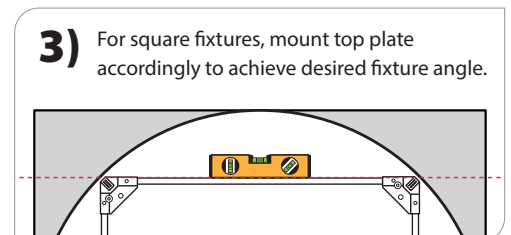
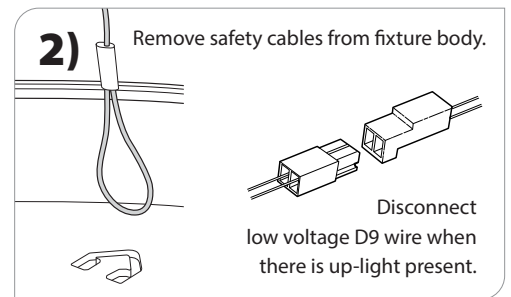
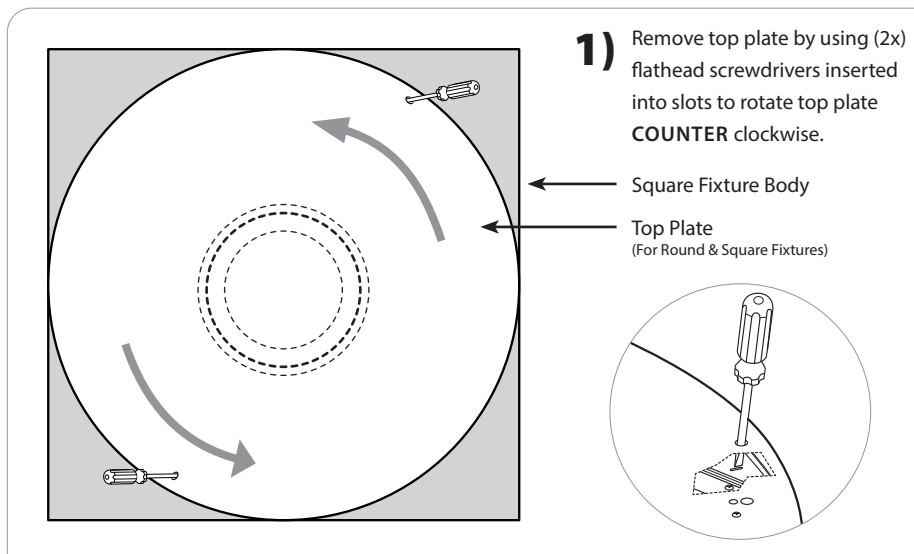
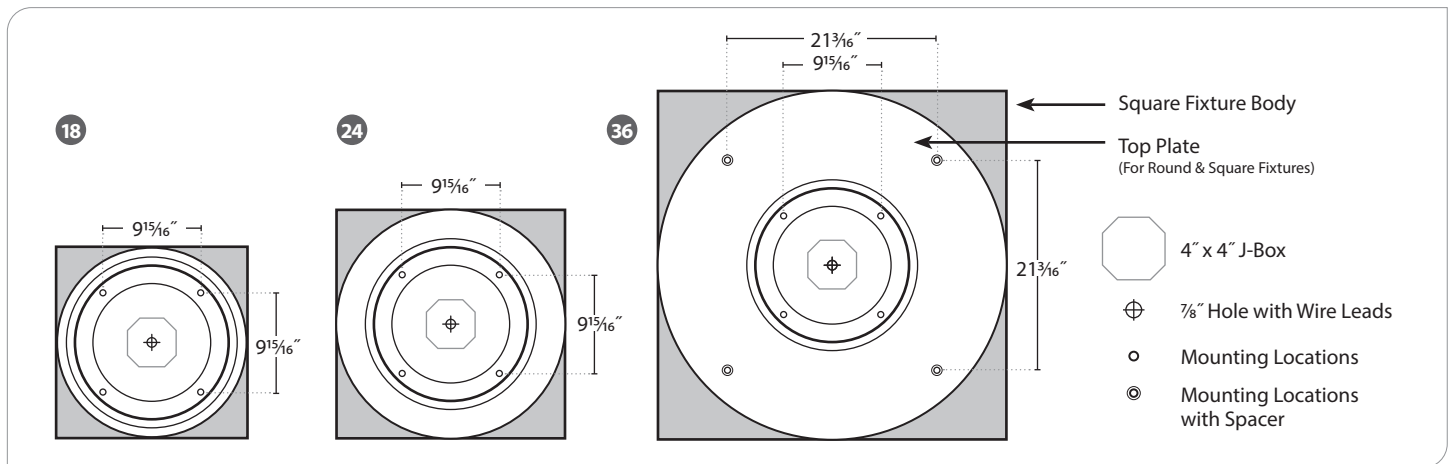


PART	PART NO.	DESCRIPTION
	100-00053-20	1/2" Dia x 9/16" Long Nylon Spacer (4x 36" SURS fixture only)
		Mounting Screws (by others) (4x 18" & 24" fixtures / 8x 36" fixture)

### FIXTURE WEIGHTS:

	18"	24"	36"
<b>ROUND LED</b>	17lbs	23lbs	44lbs
<b>SQUARE LED</b>	21lbs	28lbs	54lbs

### MOUNTING LOCATIONS (ROUND & SQUARE)



**WARNING:** Ground fixture in accordance with local and national electrical codes. Failure to do so may result in serious personal injury.



# Gaze | Pendant & Surface

## Surface Flush / Surface Standoff

### INSTALLATION INSTRUCTIONS



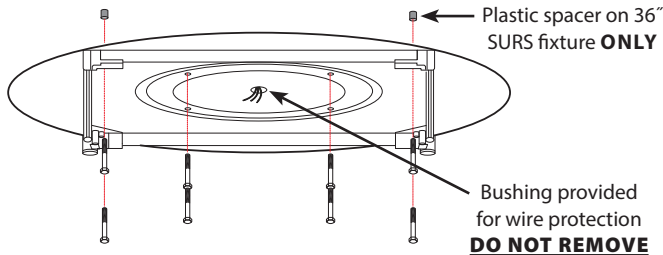
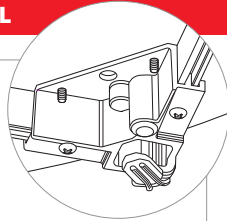
PRUDENTIAL LTG.

PRULITE.COM 213.746.0360

## X3 — HARD CEILING

**👤👤 MAY REQUIRE TWO PEOPLE TO INSTALL**

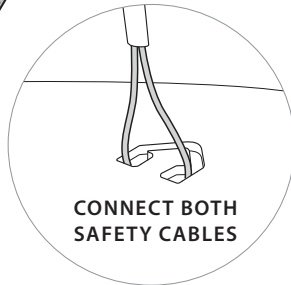
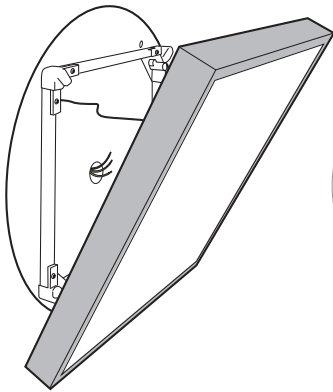
- 4)** Secure top plate to ceiling or wall structure with fasteners (by others). **Fixture must be secured to structure or blocking. DO NOT use dry wall anchors.**



**NOTE:**  
18" & 24" uses 4 mounting points, 36" uses 8 mounting points.

- 5)** Connect safety cables to "hang" fixture in place (Wall mount shown). Take care to not damage finished wall.

**NOTE:** Wire makeups to be longer than 13" to prevent tension when fixture rests on safety cables.

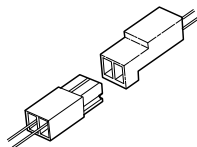


- 6)** Make wiring connections. Be sure to connect both ground wires. (One located on fixture body and one located on fixture top plate) Reconnect low voltage D9 wires when there is up-light is present.

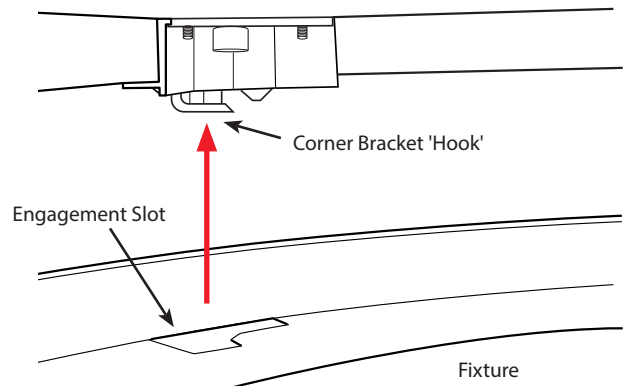
**NOTE:** If drivers are installed remotely, connect low voltage (red & blue) wires only.

**WIRING:**

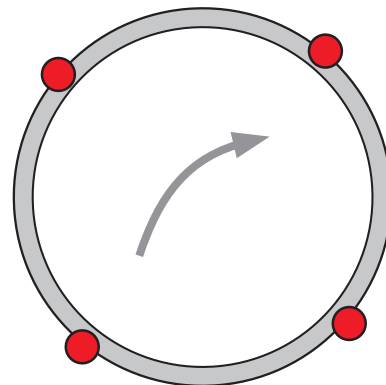
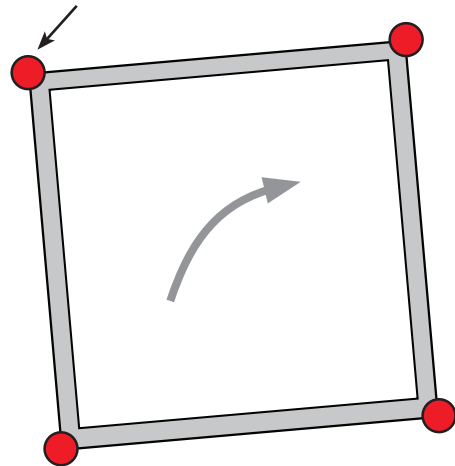
0-10V (+) : Purple	0-10V (-) : Grey
DALI (+) : Purple	DALI (-) : GREY
EcoSystem DALI (+) : Purple	EcoSystem DALI (-) : GREY
HOT : BLACK	
NEUTRAL : WHITE	
GROUND : GREEN	
CONSTANT HOT (EM) : RED	



- 7)** Press fixture at four corners where corner brackets are located and rotate **CLOCKWISE** until fixture stops and is fully engaged. Some force is required to press and initiate assembly. **TWO PEOPLE MAY BE REQUIRED.**



**PRESS ALL FOUR LOCATIONS AT THE SAME TIME**



**WARNING:** Ground fixture in accordance with local and national electrical codes. Failure to do so may result in serious personal injury.