



Gaze | Round & Square Surface Flush / Surface Standoff

INSTALLATION INSTRUCTIONS



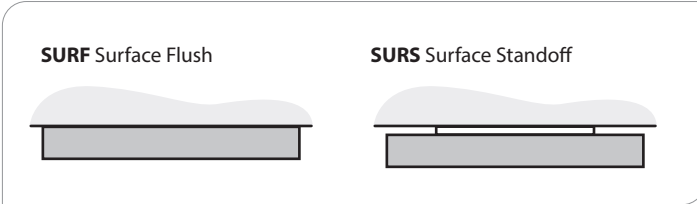
PRUDENTIAL LTG.

PRULITE.COM 213.746.0360

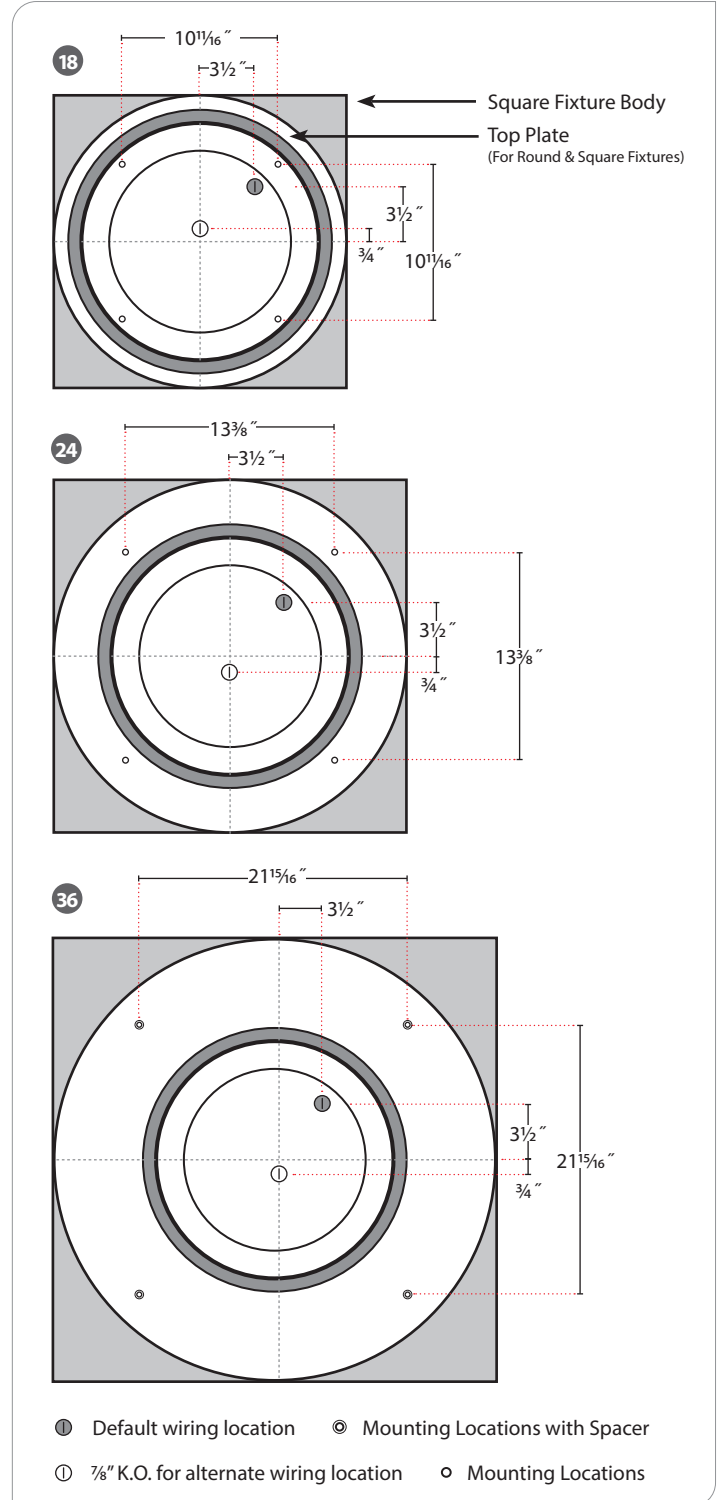
X1 — T-BAR

MAY REQUIRE TWO PEOPLE TO INSTALL

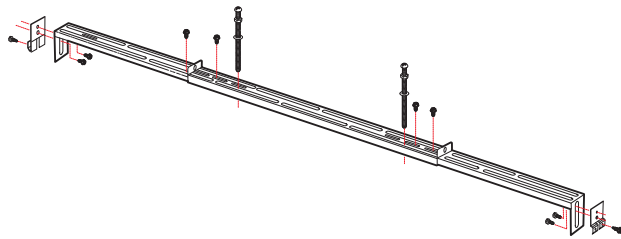
MOUNTING OPTIONS



MOUNTING LOCATIONS (ROUND & SQUARE)



PART	PART NO.	DESCRIPTION	QTY
T-BAR MOUNTING RAIL ASSEMBLY:			2
101962			



	100-00283-14	1/4-20 x 5" Round Hd. MS SL Type F	4
	100-00165-14	1/4-20 Hex Nut	4
	100-00008-14	1/4" x 1/2" Washer	4
	100-00086-14	#6 x 3/8" Tek Screw	4
	100-00053-20	1/2" Dia x 9/16" Long Nylon Spacer (For 36" Fixtures Only; SURS Only)	4

FIXTURE WEIGHTS:

	18"	24"	36"
ROUND LED	17lbs	23lbs	44lbs
SQUARE LED	21lbs	28lbs	54lbs

WARNING: Ground fixture in accordance with local and national electrical codes. Failure to do so may result in serious personal injury.



Gaze | Round & Square

Surface Flush / Surface Standoff



PRUDENTIAL LTG.

PRULITE.COM 213.746.0360

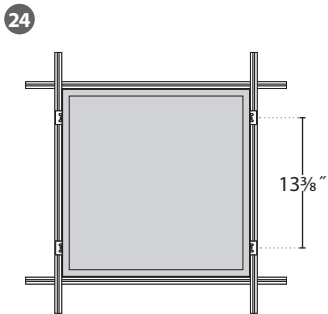
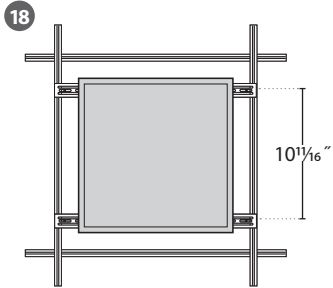
INSTALLATION INSTRUCTIONS

X1 — T-BAR

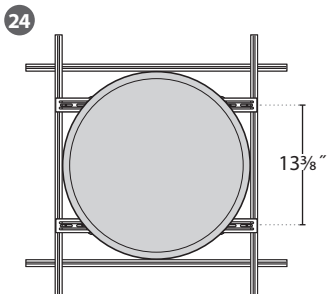
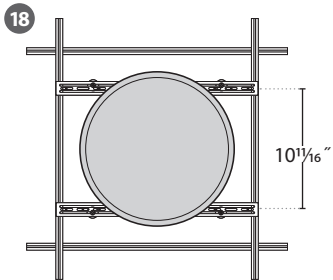
⚠️ MAY REQUIRE TWO PEOPLE TO INSTALL

2x2 OFF GRID MOUNTING

SQUARE

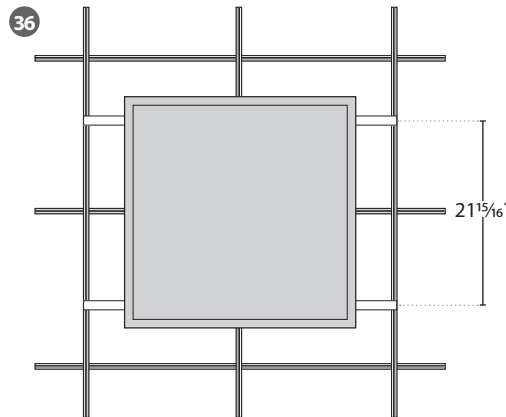
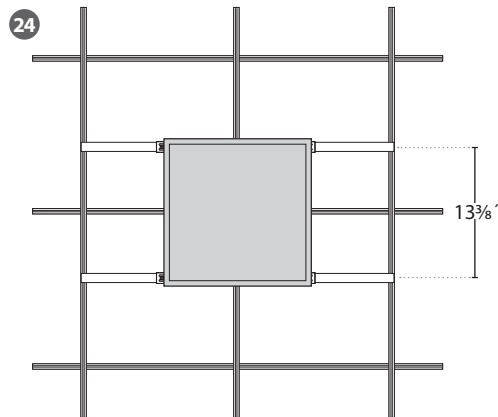
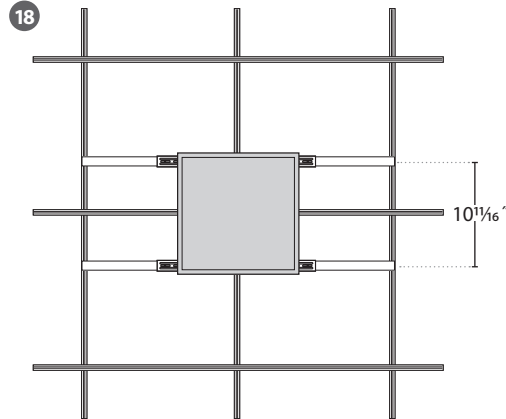


ROUND

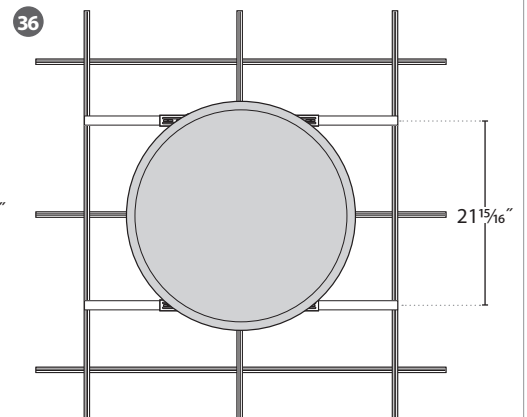
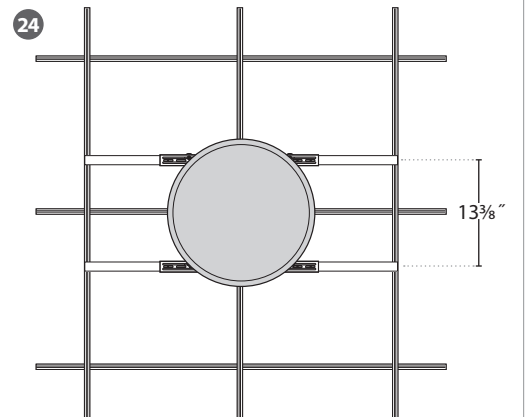
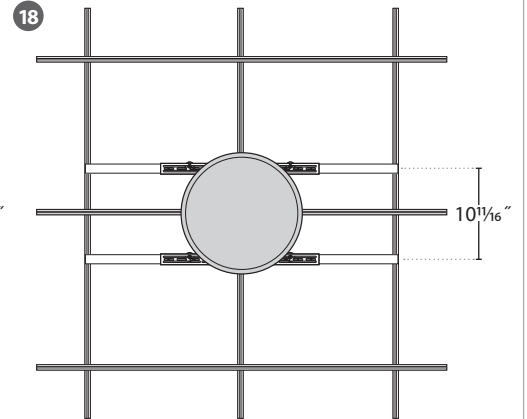


2x2 ON GRID MOUNTING

SQUARE



ROUND



WARNING: Ground fixture in accordance with local and national electrical codes. Failure to do so may result in serious personal injury.



Gaze | Round & Square Surface Flush / Surface Standoff

INSTALLATION INSTRUCTIONS



PRUDENTIAL LTG.

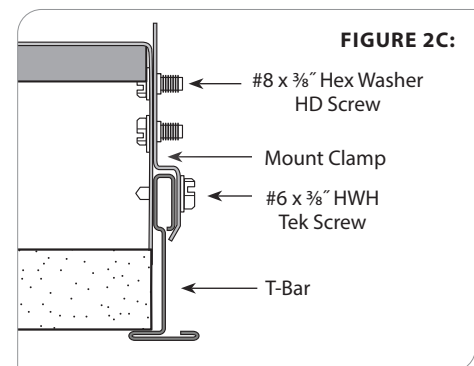
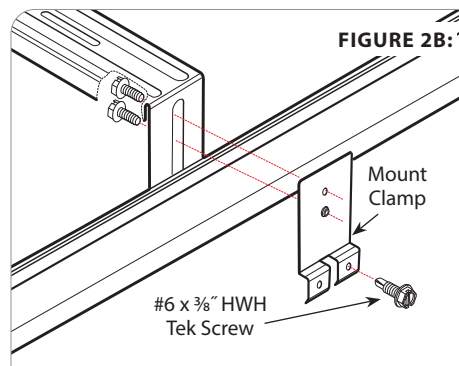
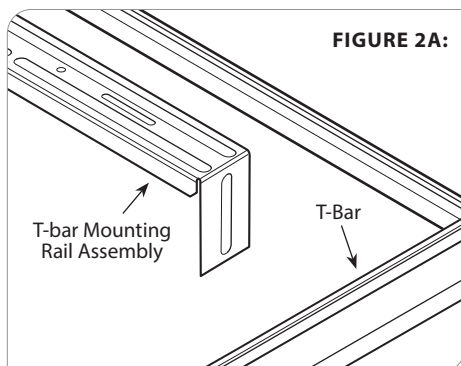
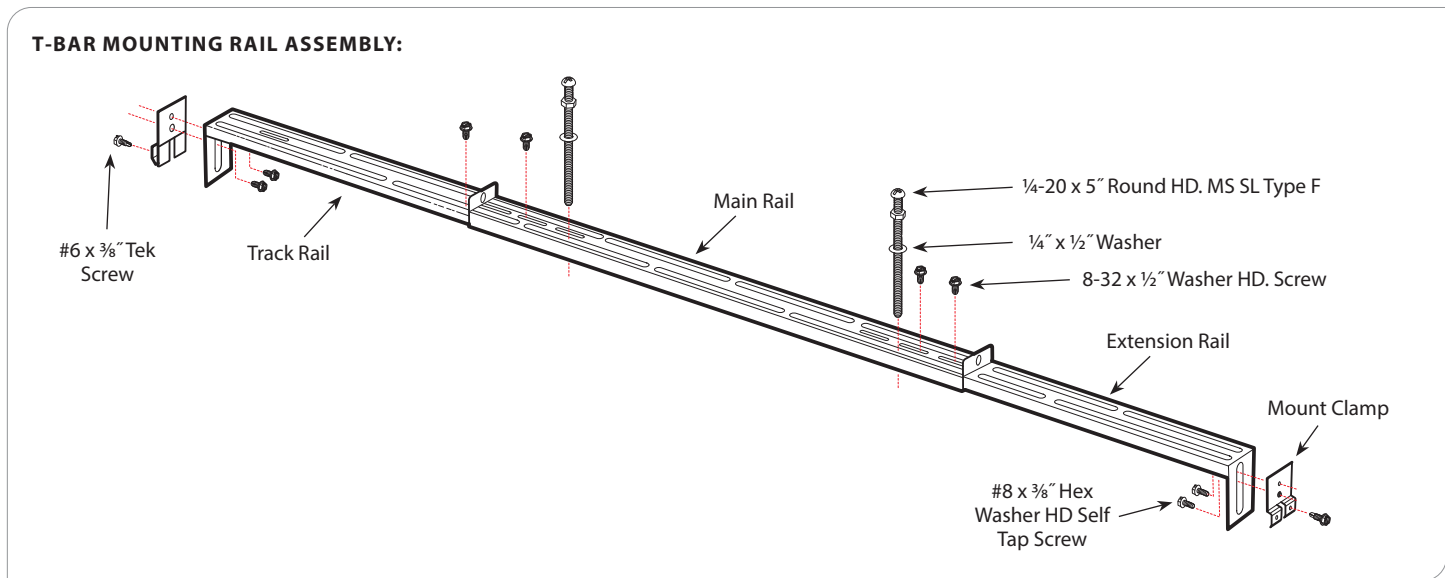
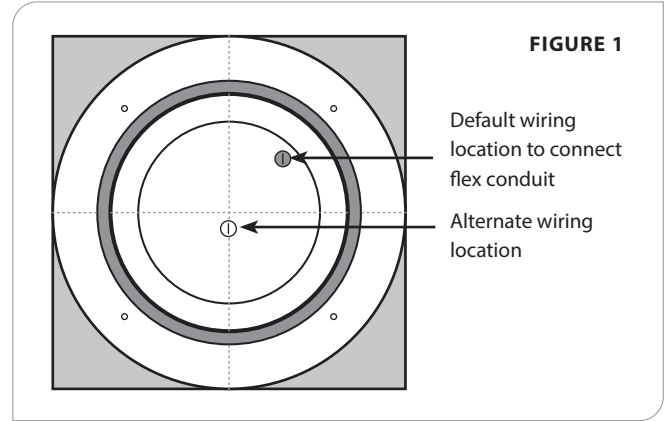
PRULITE.COM 213.746.0360

X1 — T-BAR

⚠️ MAY REQUIRE TWO PEOPLE TO INSTALL

INSTALLATION

1. Use mounting dimensions provided (page 1) to layout mounting location on ceiling tiles.
2. Determine which wiring location is to be used based on your fixture position on the t-bar grid (figure 1).
3. Drill (4) $\frac{3}{8}$ " holes in ceiling tiles to match mounting dimensions provided. Drill clearance hole for flex conduit to attach to $\frac{7}{8}$ " K.O. (figure 3A, page 4).
4. Extend t-bar mounting rail assembly (101962) to fit t-bar grid. (figures 2A & 2B). (8-32 x $\frac{1}{2}$ " washer HD screws may need to be removed to expand rails).
5. Place t-bar mounting rail assembly against inner wall of t-bar with mount clamps.
6. Secure assembly to t-bar with mount clamps (figures 2B & 2C).
7. Drive #6 x $\frac{3}{8}$ " tek screws through mount clamp and t-bar (figures 2B & 2C).



WARNING: Ground fixture in accordance with local and national electrical codes. Failure to do so may result in serious personal injury.



X1 — T-BAR

⚠️ MAY REQUIRE TWO PEOPLE TO INSTALL

8. Place (4) 1/4-20 x 5" bolts in t-bar mounting rail assembly with nuts and washers fully threaded on to the 1/4-20 bolt (as shown in figure 3C). Be sure bolts are aligned with hole pattern cut in ceiling tiles (figure 3A).
9. Tie t-bar mounting rail assemblies to structure above (figures 3A & 3B).
10. If default wiring location will be used (reference figure 1, page 3), continue on to step 14.

FIGURE 3A

Clearance hole for flex conduit

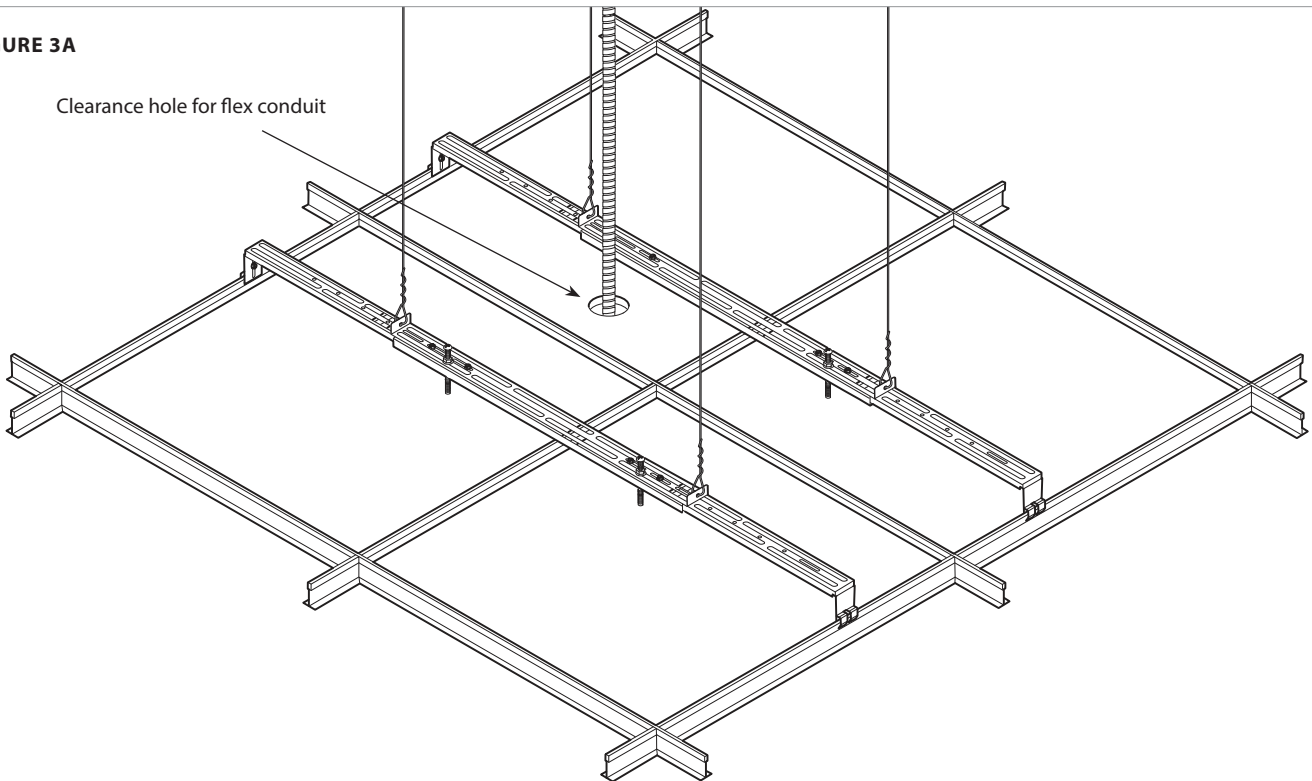


FIGURE 3B

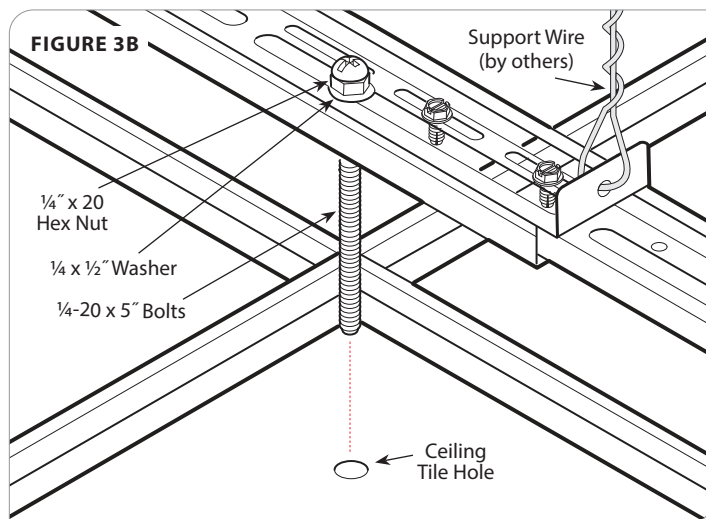
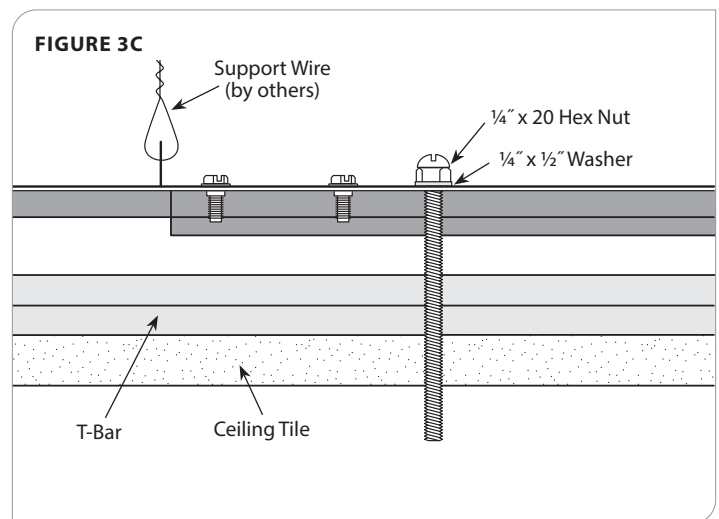


FIGURE 3C



WARNING: Ground fixture in accordance with local and national electrical codes. Failure to do so may result in serious personal injury.



Gaze | Round & Square Surface Flush / Surface Standoff

INSTALLATION INSTRUCTIONS



PRUDENTIAL LTG.

PRULITE.COM 213.746.0360

X1 — T-BAR

⚠️ MAY REQUIRE TWO PEOPLE TO INSTALL

IF USING ALTERNATE LOCATION FOR FLEX CONDUIT CONNECTION:

11. Rotate top plate by using 2 flathead screwdrivers inserted into slots and turn COUNTER clockwise. Once top plate is disengaged it can be lifted up (figure 4).
12. Break knock-out and re-route power wires through $\frac{7}{8}$ " diameter hole. Cap unused hole with $\frac{7}{8}$ " diameter knock-out plug (by others).
13. Re-attach top plate by aligning top plate corner brackets with slots on interior metal plates. Press down at all four corners and rotate clockwise until top plate stops. Plate will be locked in place.

NOTE: Two wood boards approximately the length of the light fixture can be laid flat on top of the fixture can be used to assist in pressing all four corners down at once (figures 5).

FIGURE 4

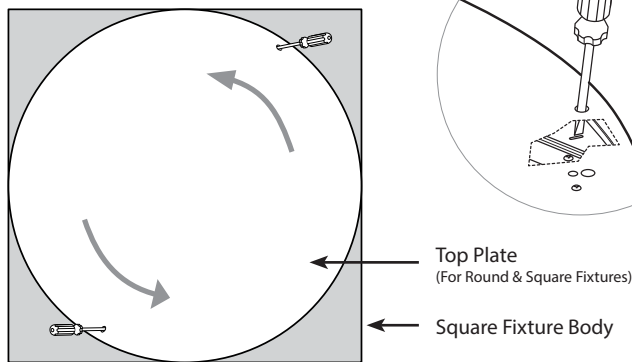
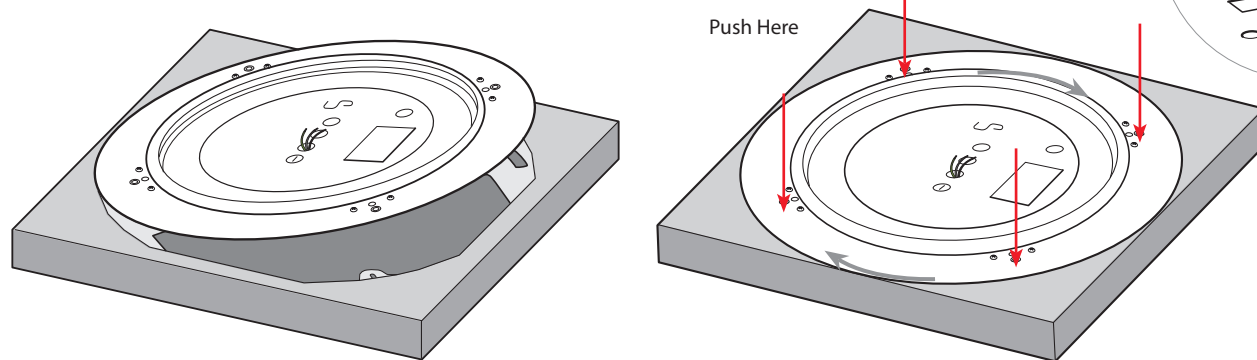


FIGURE 5



WARNING: Ground fixture in accordance with local and national electrical codes. Failure to do so may result in serious personal injury.



Gaze | Round & Square Surface Flush / Surface Standoff

INSTALLATION INSTRUCTIONS



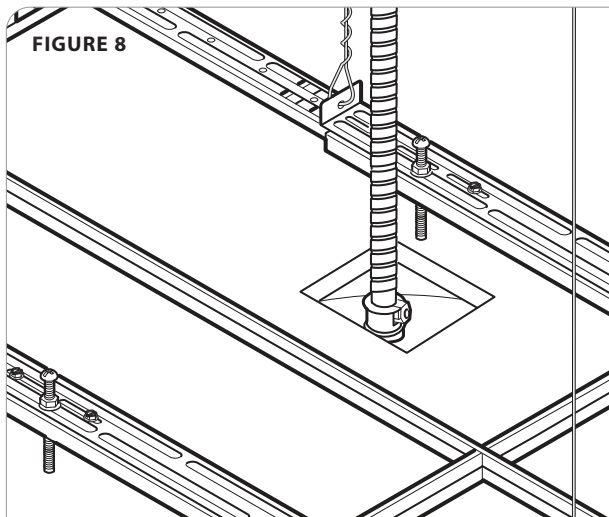
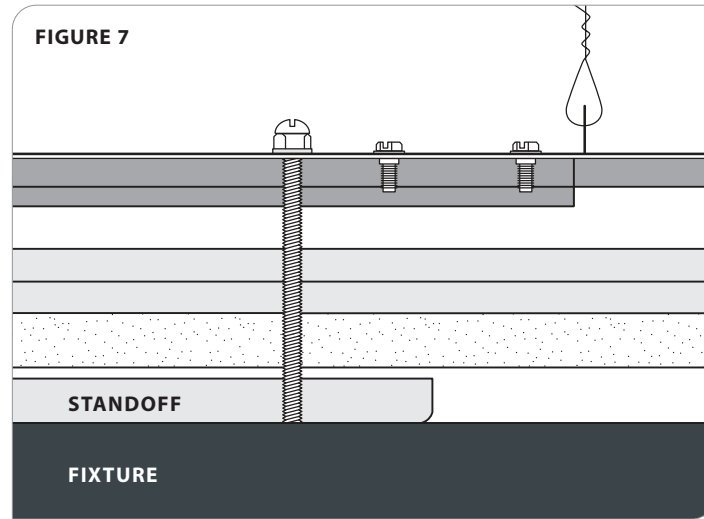
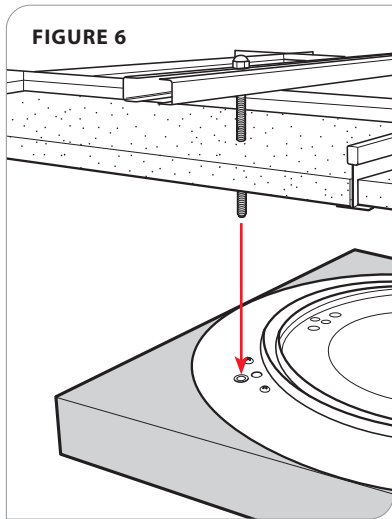
PRUDENTIAL LTG.

PRULITE.COM 213.746.0360

X1 — T-BAR

⚠️ MAY REQUIRE TWO PEOPLE TO INSTALL

14. Mount fixture to ceiling using 1/4-20 x 5" bolts and threaded holes in light fixture (figure 6). Make sure bolts are fully tightened into the light fixture.
15. Complete mounting by lifting light fixture flush to ceiling and turning 1/4- 20 nut down until it's snug to rail assembly (figure 7).
16. Make wiring connections and push wire nuts (by others) individually through 7/8" diameter hole on top plate. Connect flex conduit to light fixture using snap-in type connector (by others) (figure 8).



NOTE: If drivers are installed remotely, connect low voltage (red & blue) wires only.

WIRING:

0-10V (+) : Purple	0-10V (-) : Grey
DALI (+) : Purple	DALI (-) : GREY
EcoSystem DALI (+) : Purple	EcoSystem DALI (-) : GREY
HOT : BLACK	
NEUTRAL : WHITE	
GROUND : GREEN	
CONSTANT HOT (EM) : RED	

WARNING: Ground fixture in accordance with local and national electrical codes. Failure to do so may result in serious personal injury.