



# Gaze | Round & Square RPM & SPM Pendant Mount

## INSTALLATION INSTRUCTIONS

### X1 — T-BAR / X3 — HARD CEILING



PRUDENTIAL LTG.

PRULITE.COM 213.746.0360

**MAY REQUIRE TWO PEOPLE TO INSTALL**

PART	PART NO.	DESCRIPTION			
<b>CANOPY BODIES:</b>					
	100-00071-03	Round			
	100-00072-03	Square			
<b>CANOPY COVERS:</b>					
	105760	Single Feed			
	105892	Dual Feed			
	105597	Support Ring			
	100-00183-10	Insulation Ring			
	100-00144-09	Romex Clamp — NPT 1/2"			
	105717	Romex Clamp Bracket — NPT 1/2"			
	100-00145-09	Romex Clamp — NPT 3/4" (Dual Feed)			
	106029	Romex Clamp Bracket — NPT 3/4" (Dual Feed)			
<b>DUAL FEED BUSHINGS:</b>					
	100-00338-14	Black			
	100-00339-14	White			
<b>FIXTURE WEIGHTS:</b>					
	12"	18"	24"	36"	48"
<b>ROUND LED</b>	8lbs	17lbs	23lbs	44lbs	75lbs
<b>SQUARE LED</b>	9lbs	21lbs	28lbs	54lbs	100lbs

PART	PART NO.	DESCRIPTION
<b>POWER CORDS:</b>		
	100-00023-09	3-Wire
	100-00024-09	4-Wire
	100-00912-09	5-Wire
	100-01002-09	6-Wire
<b>SUPPORT CABLE: (CABLE GRIPPER WILL BE INSTALLED BY FACTORY)</b>		
	100-00563-09	48"
	100-00564-09	96"
	100-00565-09	144"
<b>SUPPORT CABLE: (CABLE GRIPPER WILL BE INSTALLED BY FACTORY)</b>		
	100-00449-09	Grounding Wire 7"
	100-00187-14	#8-32 x 3/8" HHWSL <b>GREEN</b> Ground Screw
	100-00047-14	#8-32 x 3/8" HWH SL Self-Tap Screws
	100-00334-14	8 x #6-32 x 3/8" Phillips Pan Head, Type F Screw
<b>PLASTIC STRAIN RELIEF:</b>		
	100-00228-14	WHITE 3/4 Wire
	100-00309-14	BLACK
	100-00346-14	WHITE 5/6 Wire
	100-00308-14	BLACK
<b>CADDY FAN-FIXTURE ASSEMBLY FOR T-BAR CEILING (BY OTHERS):</b>		
Use appropriate bracket for weights shown on this page. Tie bracket to overhead structure.		

**WARNING:** Ground fixture in accordance with local and national electrical codes. Failure to do so may result in serious personal injury.



# Gaze | Round & Square

## RPM & SPM Pendant Mount

### INSTALLATION INSTRUCTIONS

#### X1 — T-BAR / X3 — HARD CEILING



PRUDENTIAL LTG.

PRULITE.COM 213.746.0360

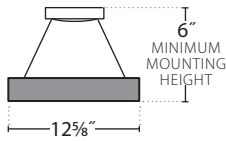
**MAY REQUIRE TWO PEOPLE TO INSTALL**

#### RPM/SPM CANOPY MINIMUM MOUNTING HEIGHT

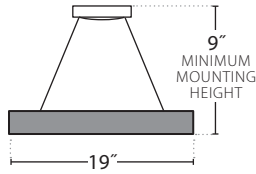
##### HARD EDGE

12

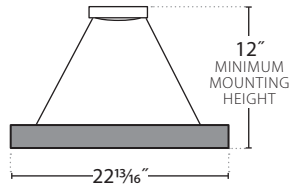
**NEW**



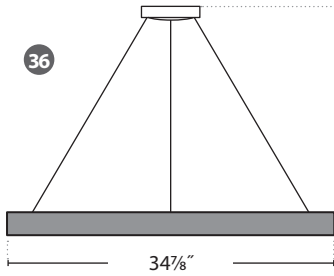
18



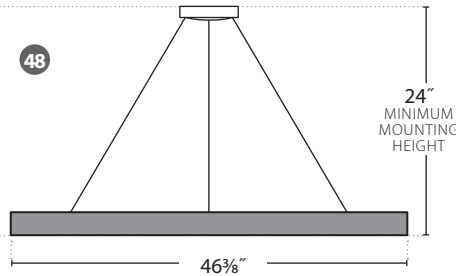
24



36



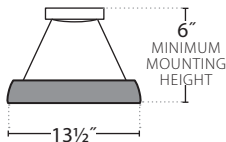
48



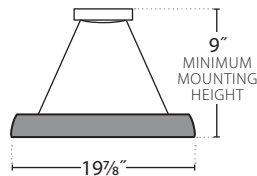
##### SOFT EDGE

12

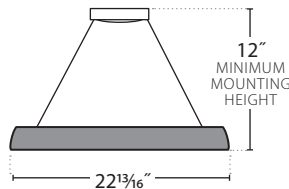
**NEW**



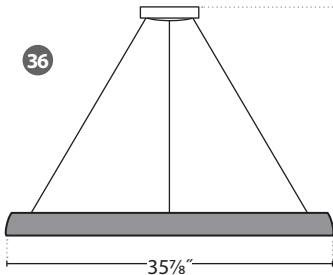
18



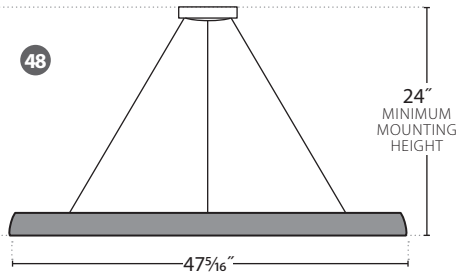
24



36



48



**WARNING:** Ground fixture in accordance with local and national electrical codes. Failure to do so may result in serious personal injury.



Prudential Ltg. reserves the right to change design specifications or materials without notice. Please visit [prulite.com](http://prulite.com) for most current data. © 2015 All rights reserved – All products manufactured at: Prudential Ltg. 1774 E. 21st Street, Los Angeles, CA 90058



# Gaze | Round & Square

## RPM & SPM Pendant Mount

### INSTALLATION INSTRUCTIONS



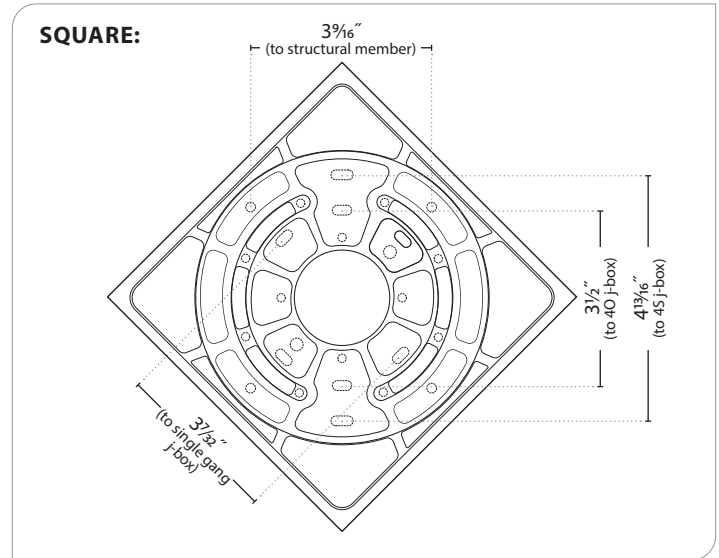
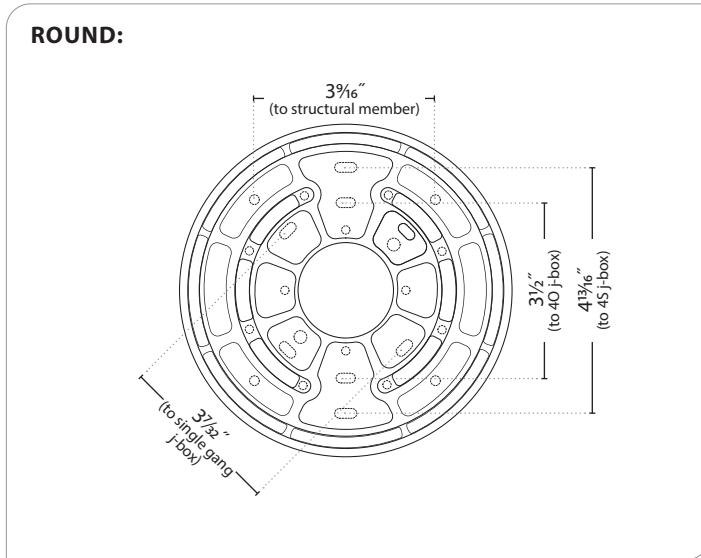
PRUDENTIAL LTG.

PRULITE.COM 213.746.0360

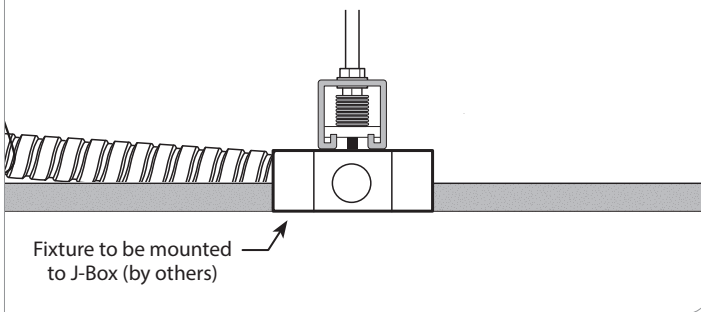
## X1 — T-BAR / X3 — HARD CEILING

**⚠️ MAY REQUIRE TWO PEOPLE TO INSTALL**

### MOUNTING LOCATIONS



**36" & 48" Fixtures:** J-Box must be tied to overhead structure with strut channel of other appropriate bracing to be determined by contractor.



**WARNING:** Ground fixture in accordance with local and national electrical codes. Failure to do so may result in serious personal injury.



# Gaze | Round & Square

## RPM & SPM Pendant Mount

### INSTALLATION INSTRUCTIONS

#### X1 — T-BAR / X3 — HARD CEILING

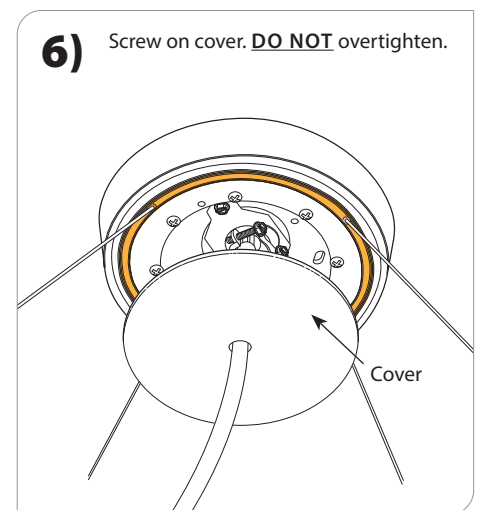
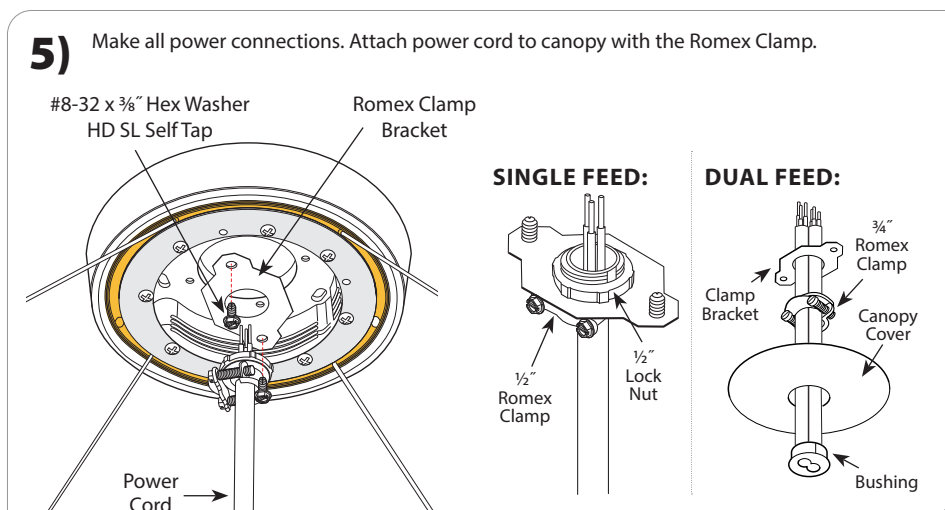
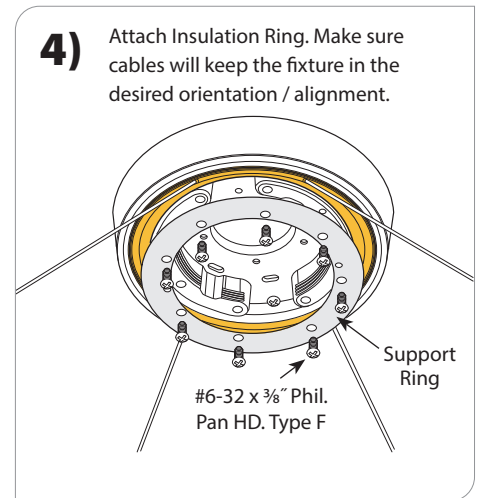
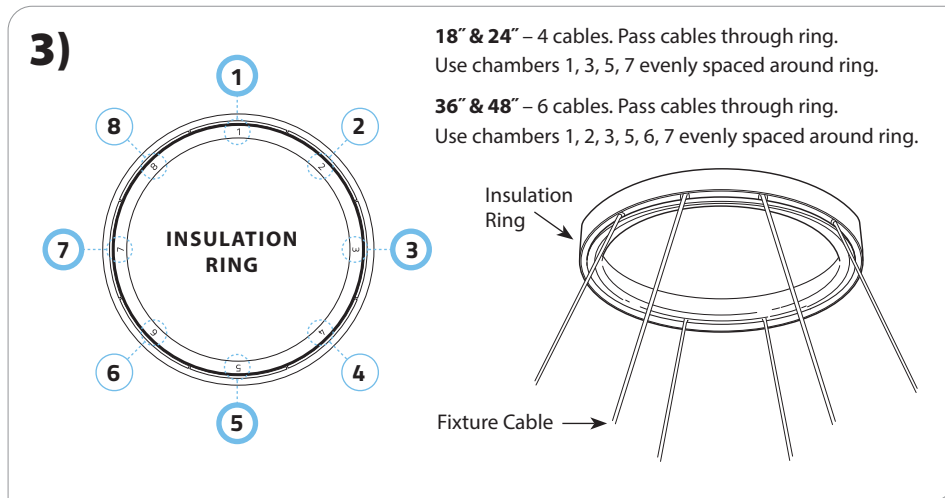
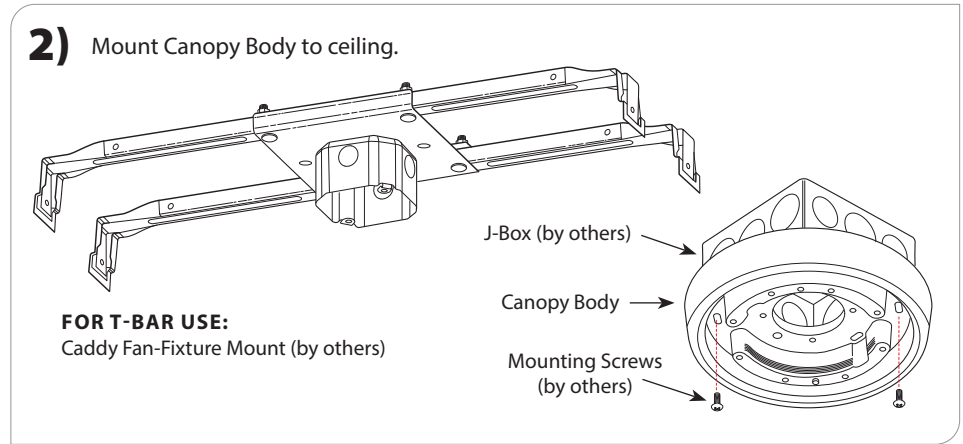
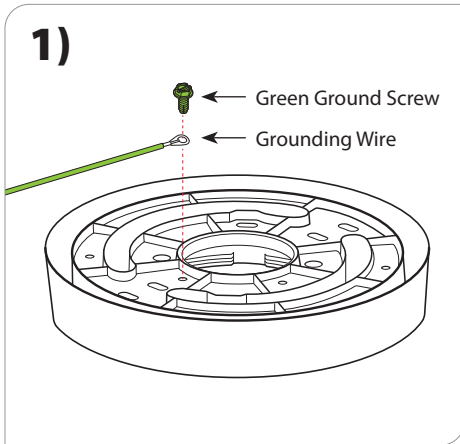


PRUDENTIAL LTG.

PRULITE.COM 213.746.0360

**MAY REQUIRE TWO PEOPLE TO INSTALL**

#### INSTALLATION



**WARNING:** Ground fixture in accordance with local and national electrical codes. Failure to do so may result in serious personal injury.



# Gaze | Round & Square

## RPM & SPM Pendant Mount

### INSTALLATION INSTRUCTIONS

#### X1 — T-BAR / X3 — HARD CEILING



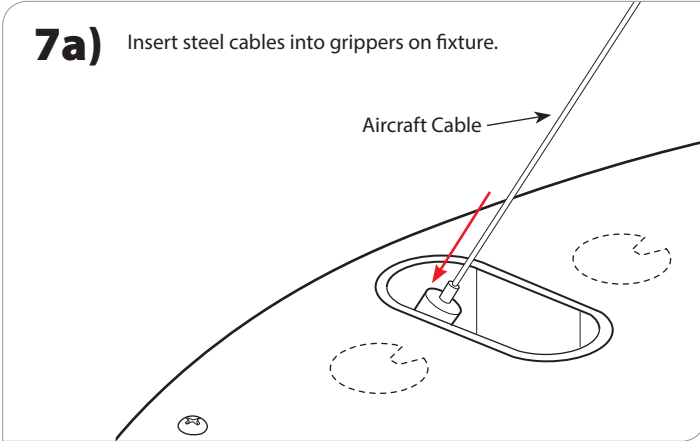
PRUDENTIAL LTG.

PRULITE.COM 213.746.0360

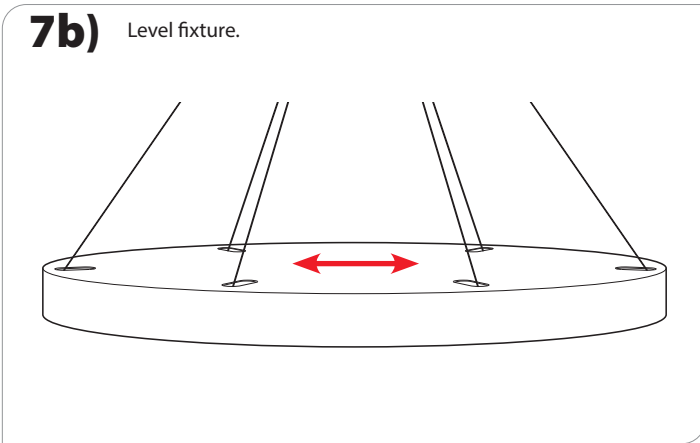
**⚠️ MAY REQUIRE TWO PEOPLE TO INSTALL**

**7a)** Insert steel cables into grippers on fixture.

Aircraft Cable

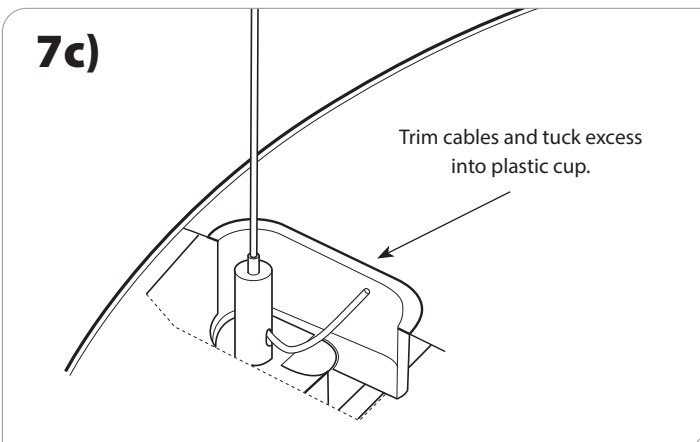


**7b)** Level fixture.

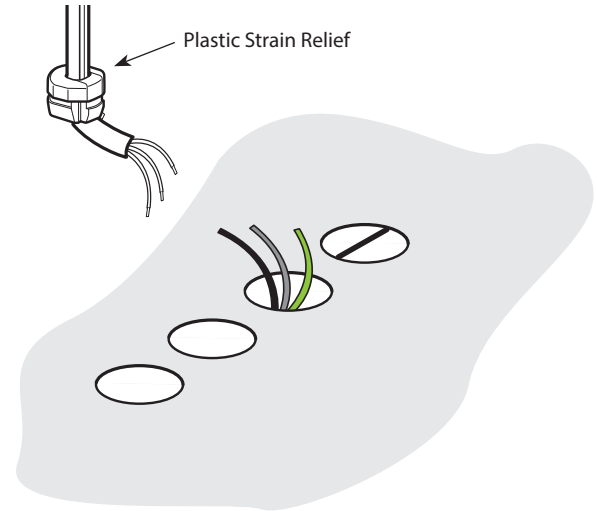


**7c)**

Trim cables and tuck excess into plastic cup.



**8)** Field cut SJT cord to proper length and strip back portion of outer insulation. Perform wire makeups above fixture (see color diagram below) and press wire nuts (by others) individually through  $\frac{3}{8}$ " hole. Use plastic strain relief provided to secure cord in place.



**WIRING:**

0-10V (+) : Purple	0-10V (-) : Grey
DALI (+) : Purple	DALI (-) : GREY
EcoSystem DALI (+) : Purple	EcoSystem DALI (-) : GREY
HOT : BLACK	
NEUTRAL : WHITE	
GROUND : GREEN	
CONSTANT HOT (EM) : RED	

**NOTE:** If drivers are installed remotely, connect low voltage (red & blue) wires only.

**WARNING:** Ground fixture in accordance with local and national electrical codes. Failure to do so may result in serious personal injury.