



# Gaze | Round & Square CAX & CCAX Pendant Mount

## INSTALLATION INSTRUCTIONS

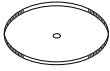
### X3 — HARD CEILING



PRUDENTIAL LTG.

PRULITE.COM 213.746.0360

PART	PART NO.	DESCRIPTION
------	----------	-------------



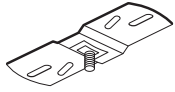
100-00006-08

5 1/2" Ø NPF Canopy X3 (1 Hole)  
(CAX - NON POWERED)

#### FIXTURE WEIGHTS:

	18"	24"	36"
<b>ROUND LED</b>	17lbs	23lbs	44lbs
<b>SQUARE LED</b>	21lbs	28lbs	54lbs

#### MOUNTING STRAP KIT:



19031

X3 Mounting Strap  
1/4-20 x 5/8" Pan Head Bolt  
1/4-20 Speed Nut

#### SUPPORT CABLE:



100-00039-08

53"

100-00085-08

100"

Support Cable & Crimp  
1/4-20 Coupler & Ring

100-00042-08

200"

Adjustable Glider

100-00045-08

300"

#### FOR CCAX POWERED ONLY:



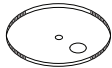
100-00284-14

1/2" IPS Brass Nipple



100-00239-14

1/2" IPS Brass Knurled Nut



28975

5 1/2" Ø SPF Canopy (2 Hole)  
(CCAX - POWERED)



100-00264-14

Metal Strain Relief Bushing



100-00319-14

WHITE

Threaded Bushing

100-00316-14

BLACK



100-00318-14

WHITE

5/8" Universal Bushing

100-00321-14

BLACK

#### PLASTIC STRAIN RELIEF:



100-00228-14

WHITE

3/4 Wire

100-00309-14

BLACK

100-00346-14

WHITE

5/6 Wire

100-00308-14

BLACK

#### 18GA SJT CORD:

3 WIRE

4 WIRE

5 WIRE

6 WIRE



WHITE

100-00023-09

100-00024-09

100-00912-09

100-01002-09

BLACK

100-00956-09

100-00025-09

100-00933-09

100-00317-09

**WARNING:** Ground fixture in accordance with local and national electrical codes. Failure to do so may result in serious personal injury.



Prudential Ltg. reserves the right to change design specifications or materials without notice. Please visit [prulite.com](http://prulite.com) for most current data.  
© 2015 All rights reserved - All products manufactured at: Prudential Ltg. 1774 E. 21st Street, Los Angeles, CA 90058



# Gaze | Round & Square CAX & CCAX Pendant Mount

## INSTALLATION INSTRUCTIONS



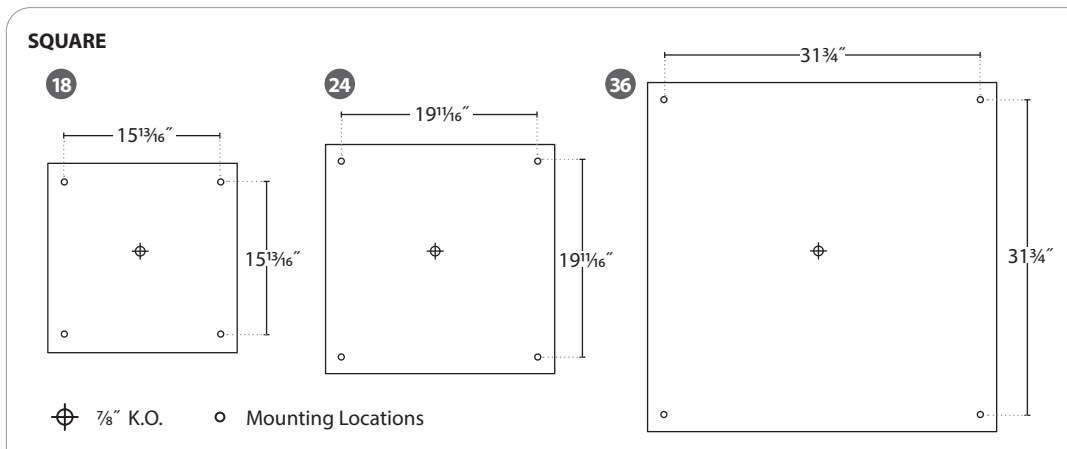
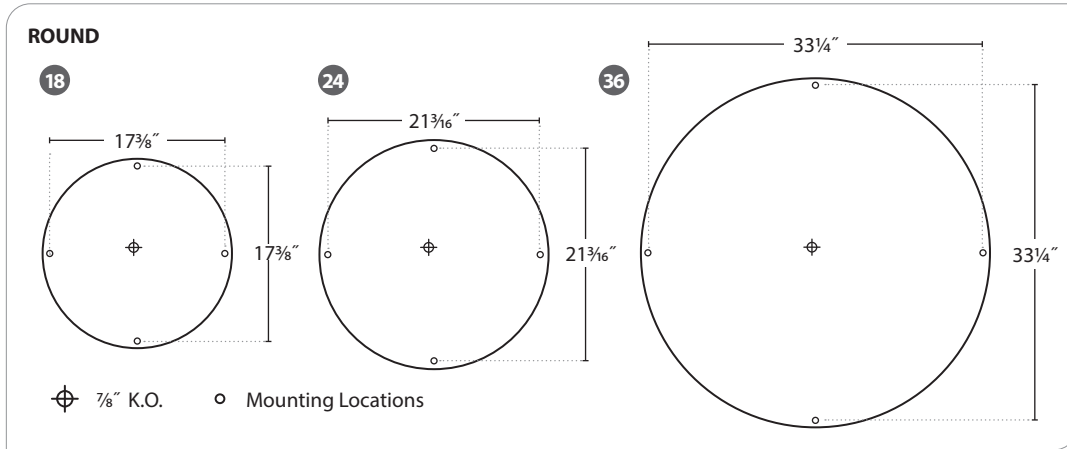
PRUDENTIAL LTG.

PRULITE.COM 213.746.0360

### X3 — HARD CEILING

**⚠️ MAY REQUIRE TWO PEOPLE TO INSTALL**

#### CA CABLE MOUNTING DIMENSIONS



**WARNING:** Ground fixture in accordance with local and national electrical codes. Failure to do so may result in serious personal injury.



# Gaze | Round & Square CAX Pendant Mount (Non-Powered)

## INSTALLATION INSTRUCTIONS



PRUDENTIAL LTG.

PRULITE.COM 213.746.0360

### X3 — HARD CEILING

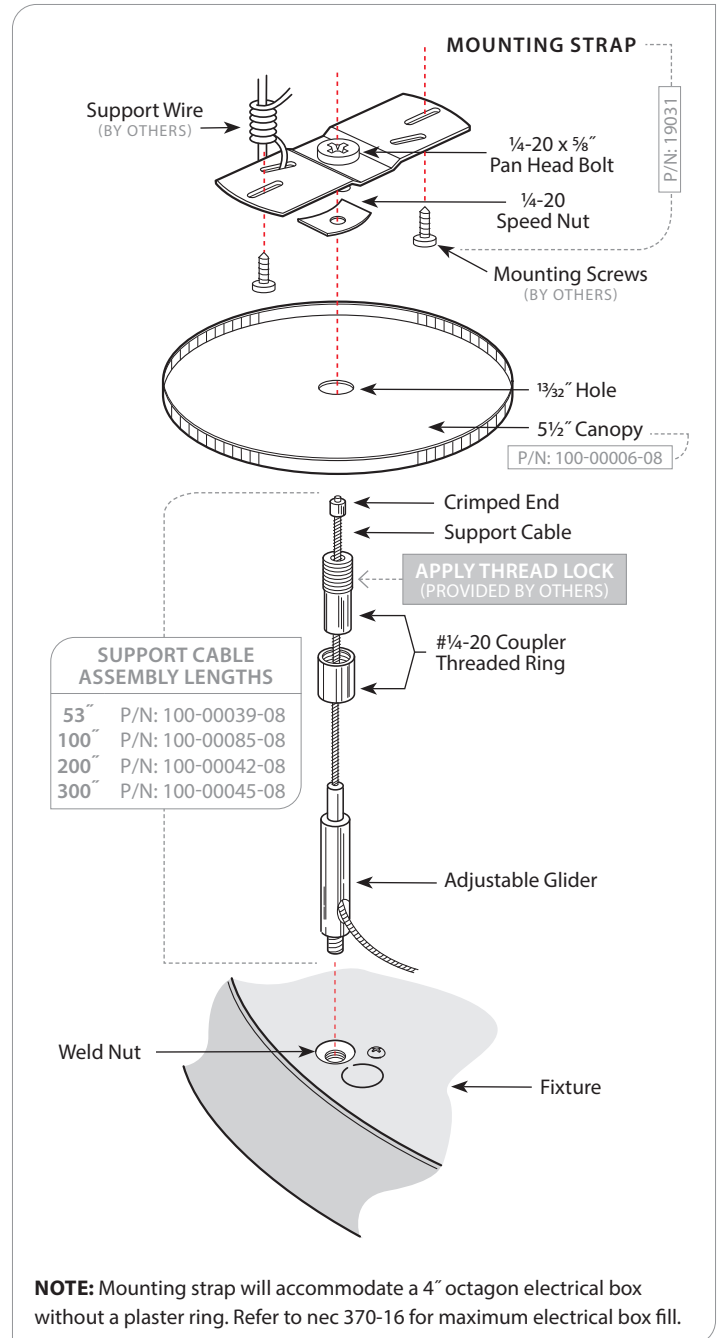
**MAY REQUIRE TWO PEOPLE TO INSTALL**

#### INSTALLATION

1. Anchor mounting straps to ceiling at cable locations. (Contractor to determine best anchoring hardware to be used in securing mounting strap to ceiling).
2. Insert non-crimped end of support cable through top threaded end of 1/4-20 coupling. Pull cable until crimp stops inside threaded end of coupling.
3. Push non-crimped end of cable through top (smooth end adjustable glider). Insert cable completely through glider. Glider will engage by pressing top smooth end down. Hold in place and pull back for adjustment.
4. Thread adjustable glider into weld nut located on top plate of light fixture. Trim excess cables no less than 3" beyond outlet.
5. Unscrew threaded ring from top of 1/4-20 coupling. Insert 1/4-20 coupling through 1 1/2" dia. center hole on canopy and let threaded ring and canopy rest on fixture end. Lift coupling/cable to ceiling with fixture attached and thread 1/4-20 coupler onto strap bolt (be sure coupling is secure). Adjust cable to required distance from ceiling surface. Lift canopy against ceiling surface and secure in place with threaded ring.

**NOTE:** Depending on ceiling construction, reinforcement may be required at each mounting location.

**CAUTION:** Do not remove crimp from cable. Crimps are factory pressed onto cable for maximum strength. Prudential Lighting will not be responsible for damage or injuries which occur due to cable/crimp alterations. If different cable lengths are required, contact Prudential Lighting immediately.



**WARNING:** Ground fixture in accordance with local and national electrical codes. Failure to do so may result in serious personal injury.



# Gaze | Round & Square CCAX Pendant Mount (Powered)

## INSTALLATION INSTRUCTIONS



PRUDENTIAL LTG.

PRULITE.COM 213.746.0360

### X3 — HARD CEILING

**⚠️ MAY REQUIRE TWO PEOPLE TO INSTALL**

#### INSTALLATION

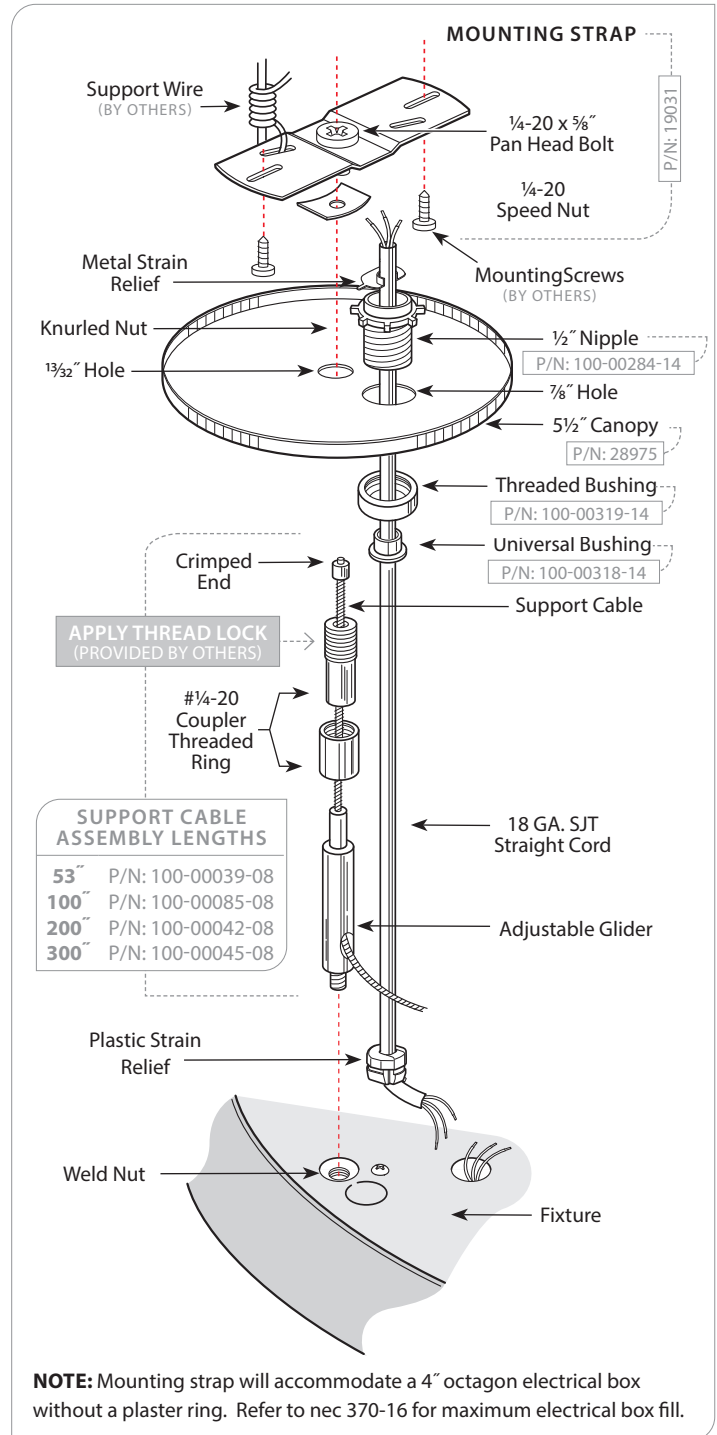
1. Use appropriate screws (provided by others) to fasten the mounting strap to the J-box. If weight exceeds 50 pounds, reinforce mounting strap with support wire secured to structural material (support wire provided by others).
2. Insert non-crimped end of support cable through top threaded end of coupling. Pull cable until crimp stops inside threaded end of coupling, push non-crimped end of cable through top (smooth end of adjustable glider). Insert cable completely through glider. Glider will engage around cable to prevent slipping. Disengage glider by pressing top smooth end down. Hold in place and pull cable back for adjustment.
3. Thread adjustable glider into weld nut located on top plate of light fixture. Trim excess cables no less than 3" beyond outlet.
4. Field cut SJT cord to proper length for specified fixture height and strip back a portion of outer insulation from one end of SJT cord.
5. Perform wire makeups above fixture and press wire nuts (by others) individually through 7/8" hole. Use plastic strain relief provided to secure cord in place. Cord should be secured to fixture end. Insert top end of cord through universal bushing, and threaded bushing. Secure to canopy with metal strain relief through 1/2" nipple. Make all wire connections.
6. Unscrew threaded ring from top of 1/4-20 coupling. Insert 1/4-20 coupling through center hole on canopy. Apply small amount of thread lock on mounting stud. Lift coupling/canopy, and fixture to mounting strap and screw coupling to bolt (be sure coupling is secure). Adjust cable to required distance from ceiling surface.

**CAUTION:** Do not remove crimp from cable. Crimps are factory pressed onto cable for maximum strength. Prudential Lighting will not be responsible for damage or injuries which occur due to cable/crimp alterations. If different cable lengths are required, contact Prudential Lighting immediately.

#### WIRING:

0-10V (+) : PURPLE	0-10V (-) : GREY
DALI (+) : PURPLE	DALI (-) : GREY
EcoSystem DALI (+) : PURPLE	EcoSystem DALI (-) : GREY
HOT : BLACK	
NEUTRAL : WHITE	
GROUND : GREEN	
CONSTANT HOT (EM) : RED	

**NOTE:** If drivers are installed remotely, connect low voltage (red & blue) wires only.



**WARNING:** Ground fixture in accordance with local and national electrical codes. Failure to do so may result in serious personal injury.