



Gaze | Round & Square CAX & CCAX Pendant Mount

INSTALLATION INSTRUCTIONS

X1 — T-BAR

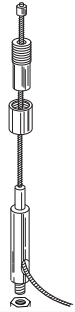


PRUDENTIAL LTG.

PRULITE.COM 213.746.0360

PART	PART NO.	DESCRIPTION	QTY
	100-00078-07	2" Ø Canopy (1 Hole) (CAX NON-POWERED)	3

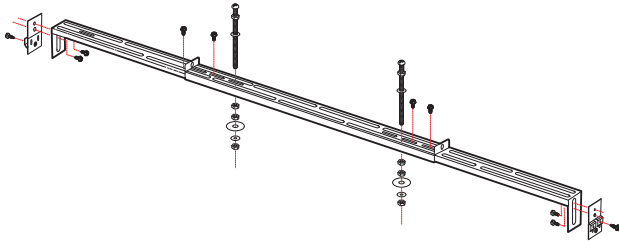
SUPPORT CABLE:








100-00039-08	53"		4
100-00085-08	100"	Support Cable & Crimp ¼-20 Coupler & Ring	4
100-00042-08	200"	Adjustable Glider	4
100-00045-08	300"		4

T-BAR MOUNTING RAIL ASSEMBLY:

101962


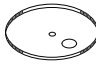




	100-00283-14	¼-20 x 5" Round Hd. MS SL Type F	4
	100-00165-14	¼-20 Hex Nut	4
	100-00008-14	¼ x ½ Washer	4
	100-00086-14	#6 x ¾" Tek Screw	4

18GA SJT CORD:	3 WIRE	4 WIRE	5 WIRE	6 WIRE
	WHITE 100-00023-09	100-00024-09	100-00912-09	100-01002-09
	BLACK 100-00956-09	100-00025-09	100-00933-09	100-00317-09

FOR CCAX POWERED ONLY:

MOUNTING STRAP KIT:

	19031	X3 Mounting Strap	
		¼-20 x 5/8" Pan Head Bolt	1
		¼-20 Speed Nut	
	100-00284-14	½" IPS Brass Nipple	1
	100-00239-14	½" IPS Brass Knurled Nut	1
	28975	5½" Ø SPF Canopy (2 Hole) (CCAX POWERED)	1
	100-00264-14	Metal Strain Relief Bushing	1
	100-00319-14	WHITE Threaded Bushing	1
	100-00316-14	BLACK Threaded Bushing	
	100-00318-14	WHITE 5/8" Universal Bushing	1
	100-00321-14	BLACK 5/8" Universal Bushing	

PLASTIC STRAIN RELIEF:

100-00228-14	WHITE	3/4 Wire	
100-00309-14	BLACK		1
100-00346-14	WHITE	5/6 Wire	
100-00308-14	BLACK		

FIXTURE WEIGHTS:

	18"	24"	36"
ROUND LED	17lbs	23lbs	44lbs
SQUARE LED	21lbs	28lbs	54lbs

WARNING: Ground fixture in accordance with local and national electrical codes. Failure to do so may result in serious personal injury.



Prudential Ltg. reserves the right to change design specifications or materials without notice. Please visit prulite.com for most current data.
© 2015 All rights reserved – All products manufactured at: Prudential Ltg. 1774 E. 21st Street, Los Angeles, CA 90058



Gaze | Round & Square CAX & CCAX Pendant Mount

INSTALLATION INSTRUCTIONS



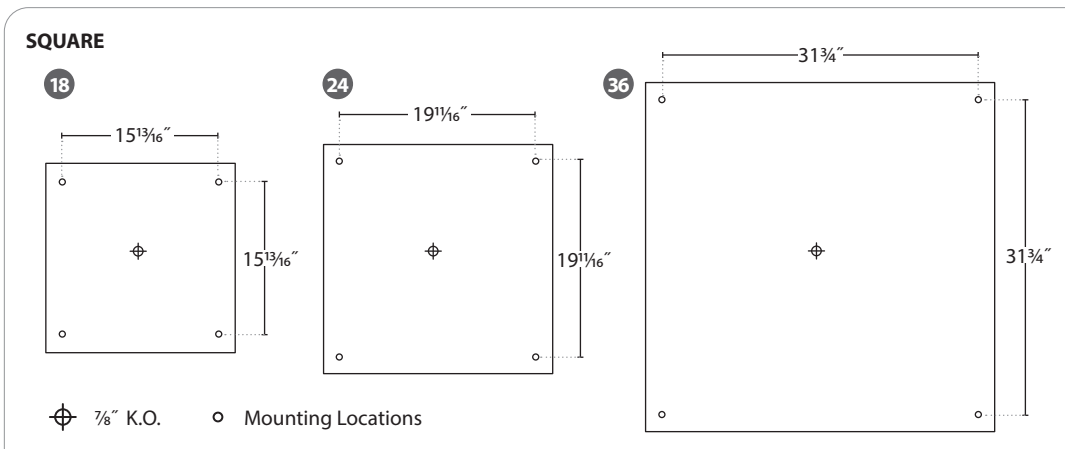
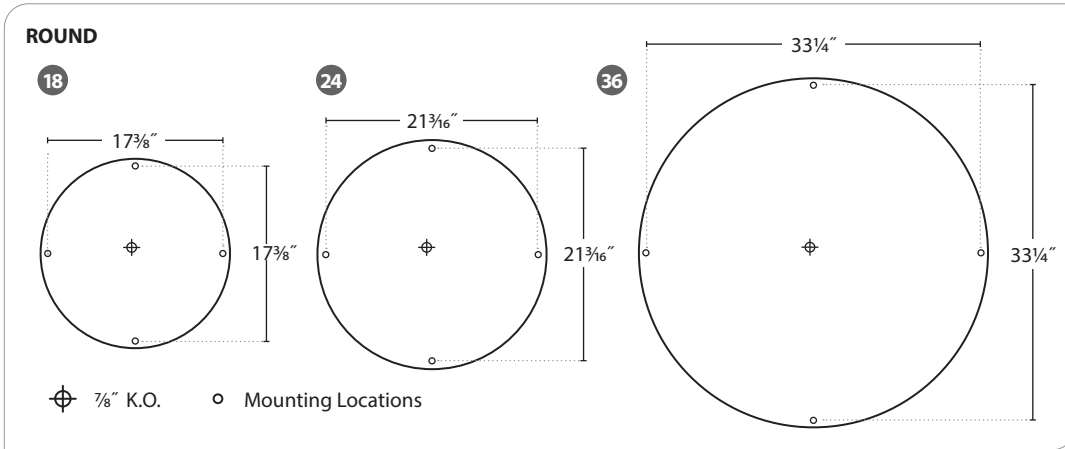
PRUDENTIAL LTG.

PRULITE.COM 213.746.0360

X1 — T-BAR

MAY REQUIRE TWO PEOPLE TO INSTALL

CA CABLE MOUNTING DIMENSIONS



WARNING: Ground fixture in accordance with local and national electrical codes. Failure to do so may result in serious personal injury.



Gaze | Round & Square CAX & CCAX Pendant Mount

INSTALLATION INSTRUCTIONS



PRUDENTIAL LTG.

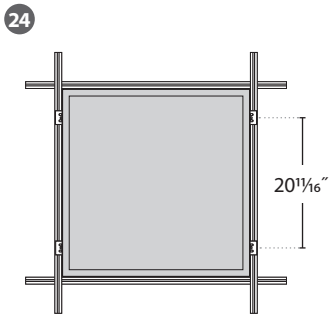
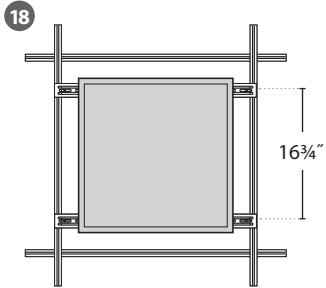
PRULITE.COM 213.746.0360

X1 — T-BAR

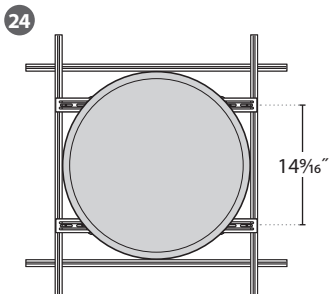
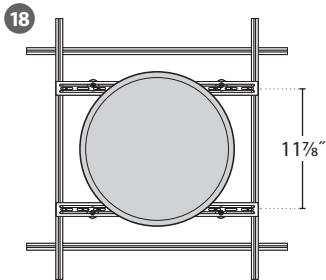
MAY REQUIRE TWO PEOPLE TO INSTALL

2x2 OFF GRID MOUNTING

SQUARE

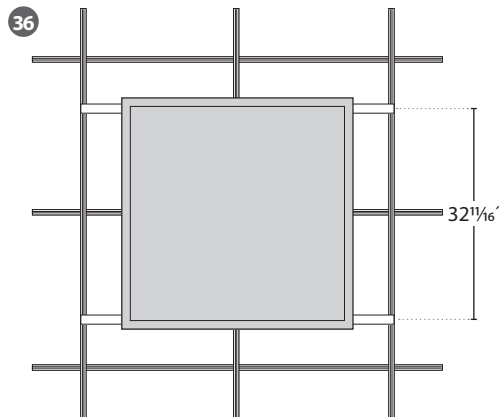
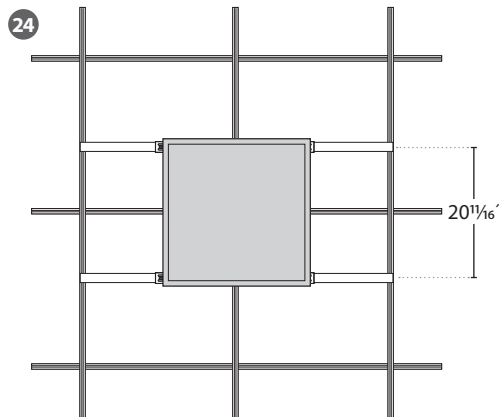
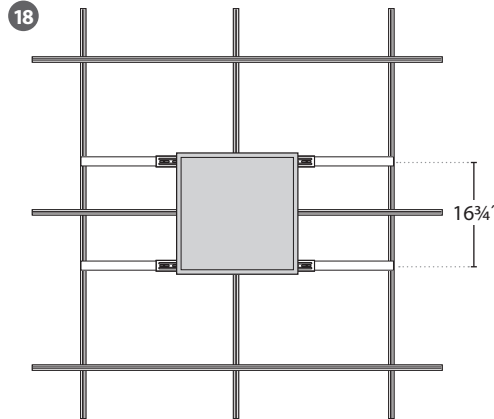


ROUND

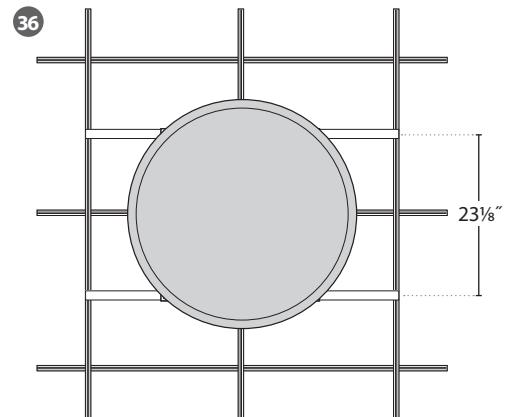
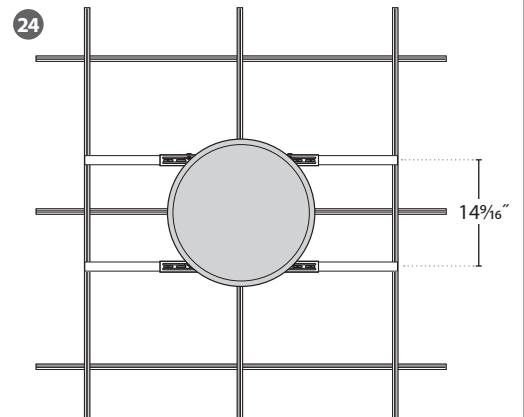
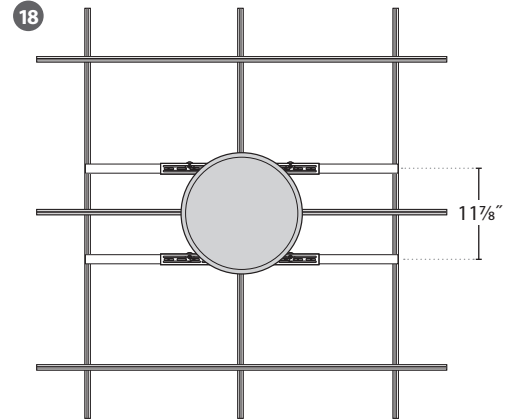


2x2 ON GRID MOUNTING

SQUARE



ROUND



WARNING: Ground fixture in accordance with local and national electrical codes. Failure to do so may result in serious personal injury.



Prudential Ltg. reserves the right to change design specifications or materials without notice. Please visit prulite.com for most current data.
© 2015 All rights reserved - All products manufactured at: Prudential Ltg. 1774 E. 21st Street, Los Angeles, CA 90058



Gaze | Round & Square CAX & CCAX Pendant Mount

INSTALLATION INSTRUCTIONS



PRUDENTIAL LTG.

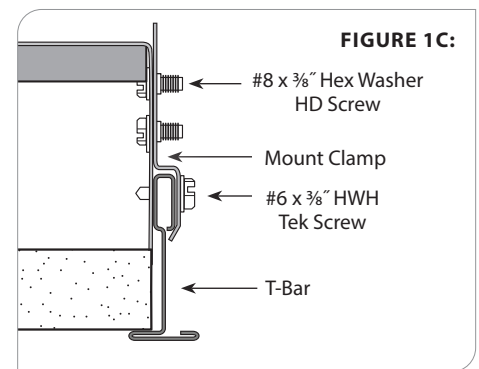
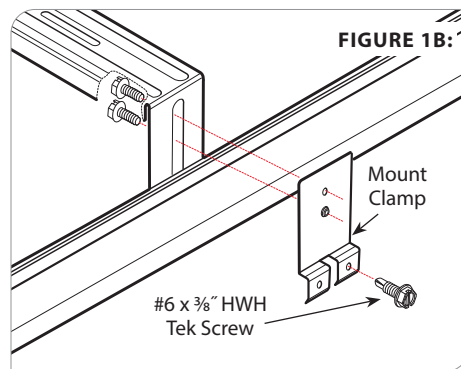
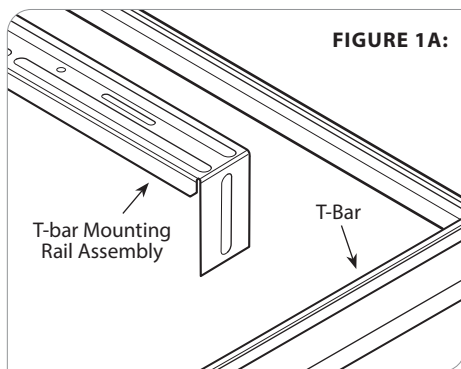
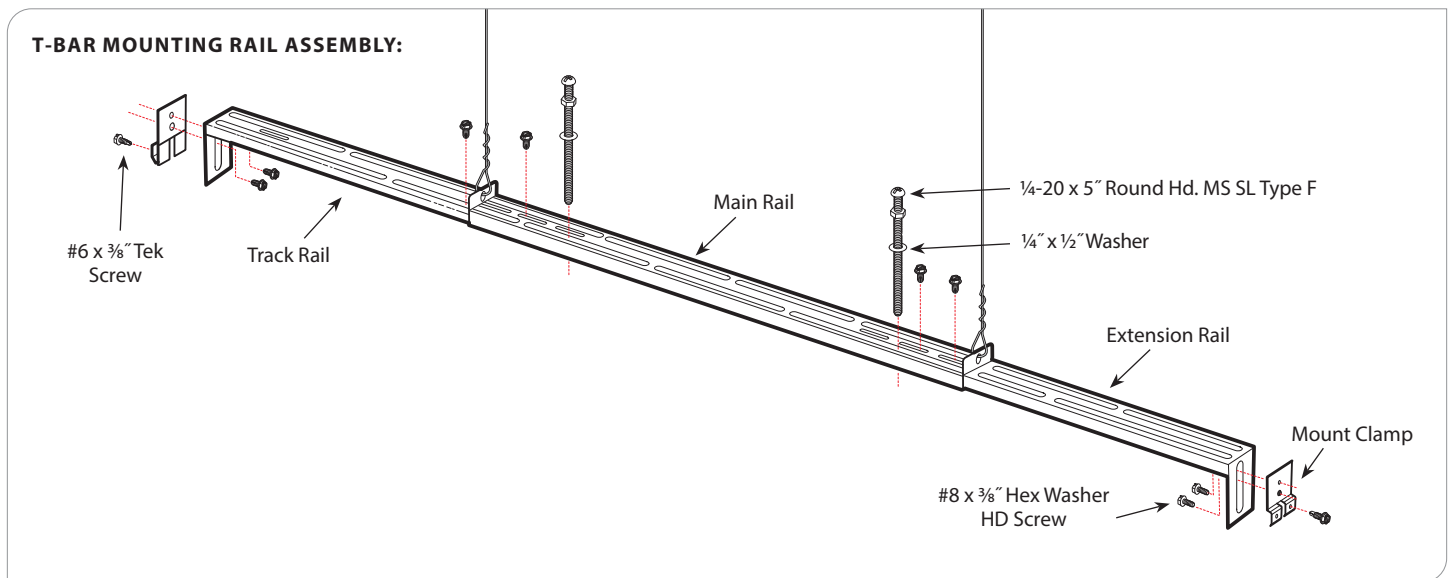
PRULITE.COM 213.746.0360

X1 — T-BAR

⚠️ MAY REQUIRE TWO PEOPLE TO INSTALL

INSTALLATION

1. Use mounting dimensions provided to layout mounting location on ceiling tiles.
2. Drill (3) $\frac{3}{8}$ " holes in ceiling tiles to match mounting dimensions provided. Fourth mounting location to be a clearance hole for the junction box (by others), the max size of the opening must not exceed $3\frac{3}{4}$ " x $3\frac{3}{4}$ " (Figures 2A, page 5). The box is assumed to be mounted on the centerline of the fourth mounting hole.
3. Extend T-BAR mounting rail assembly (101962) to fit t-bar grid. (Figures 1A & 1B). (8-32 x $\frac{1}{2}$ " Washer HD screws may need to be removed to expand rails).
4. Place T-BAR mounting rail assembly against inner wall of t-bar with clamps.
5. Secure assembly to t-bar with clamps (Figures 1B & 1C).
6. Drive #6 x $\frac{3}{8}$ " Tek Screws through clamp and t-bar.



WARNING: Ground fixture in accordance with local and national electrical codes. Failure to do so may result in serious personal injury.



Gaze | Round & Square CAX & CCAX Pendant Mount

INSTALLATION INSTRUCTIONS



PRUDENTIAL LTG.

PRULITE.COM 213.746.0360

X1 — T-BAR

⚠️ MAY REQUIRE TWO PEOPLE TO INSTALL

7. Place (3) 1/4-20 x 5" bolts to t-bar mounting rail assembly. Be sure bolts are aligned with hole pattern cut in ceiling tiles. (Figure 2A).
8. Adjust fender washers against back of ceiling tile to prevent movement (Figure 2B).
9. Be sure bolts protrude through ceiling by 3/4" to properly support canopy and cable hardware (Figure 2C).
10. Tie T-BAR mounting rail assemblies to structure above. (Figures 2A & 2B).

FIGURE 2A

Cut clearance for J-Box
at one location
(3 3/4" x 3 3/4" max
opening).

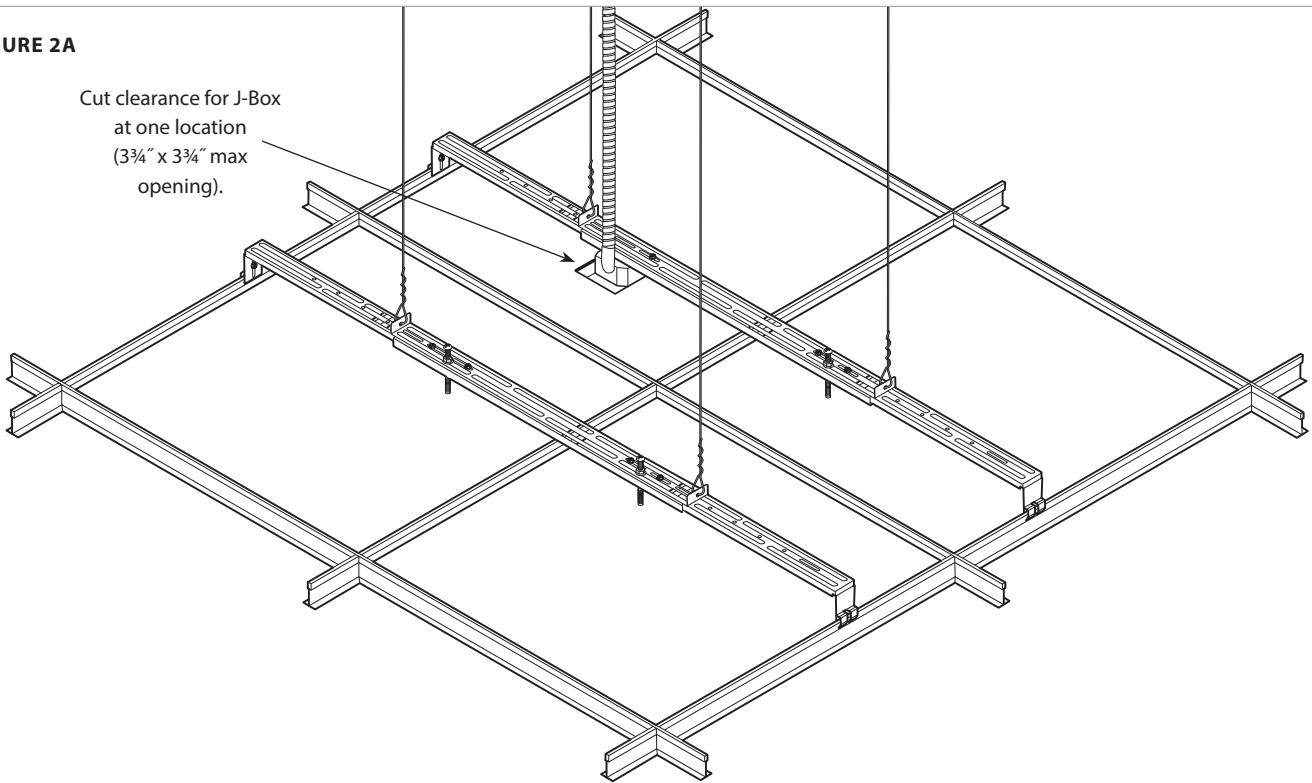


FIGURE 2B

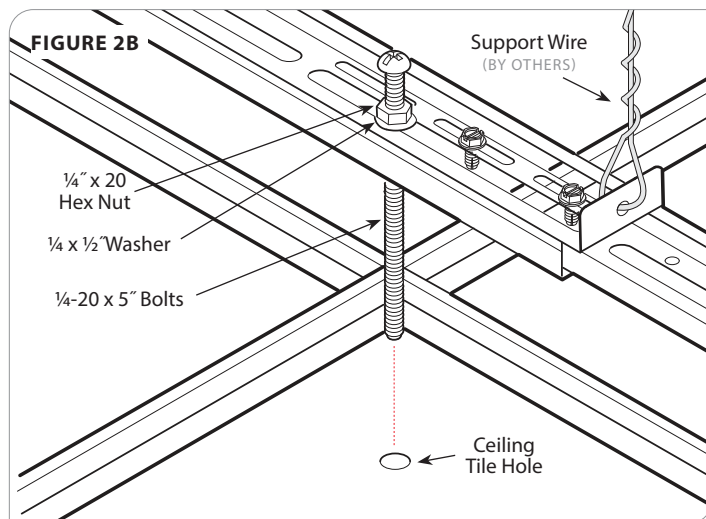
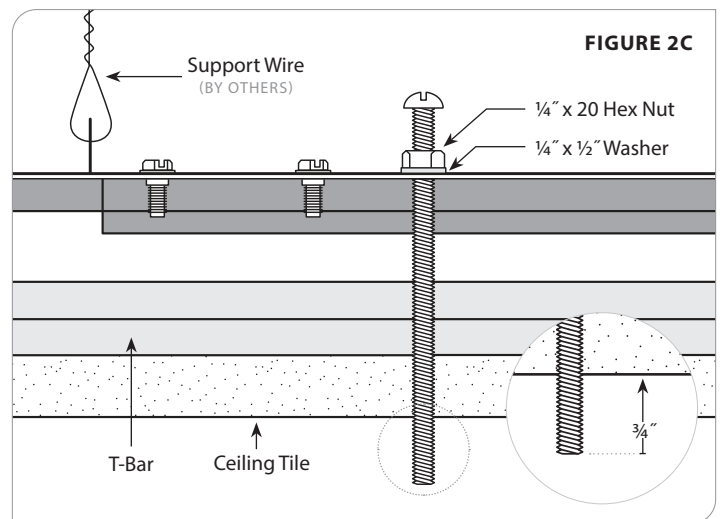


FIGURE 2C



WARNING: Ground fixture in accordance with local and national electrical codes. Failure to do so may result in serious personal injury.



Gaze | Round & Square CAX & CCAX Pendant Mount

INSTALLATION INSTRUCTIONS



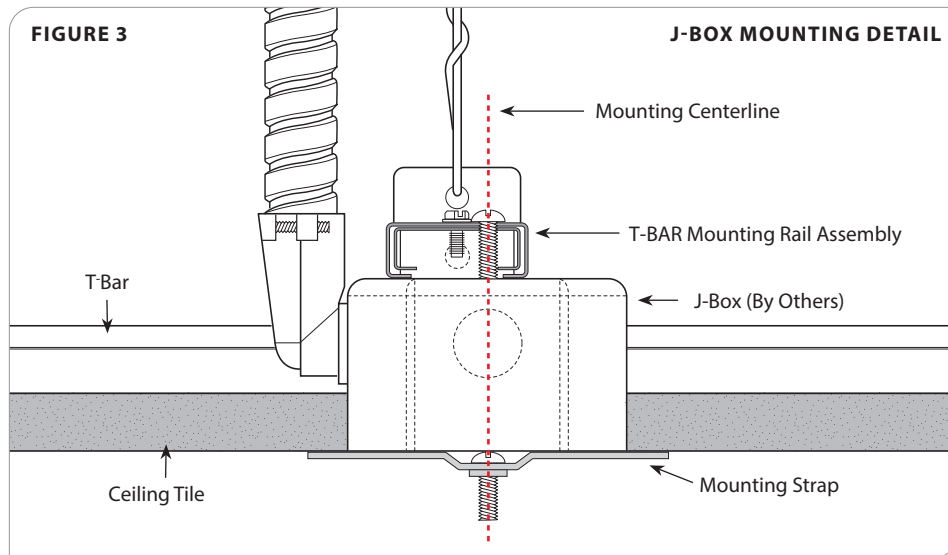
PRUDENTIAL LTG.

PRULITE.COM 213.746.0360

X1 — T-BAR

⚠️ MAY REQUIRE TWO PEOPLE TO INSTALL

11. Mount J-Box (by others) to underside of T-BAR mounting rail assembly (Figure 3). Contractor to provide appropriate hardware for mounting J-Box.



WARNING: Ground fixture in accordance with local and national electrical codes. Failure to do so may result in serious personal injury.



Gaze | Round & Square CAX Pendant Mount (Non-Powered)

INSTALLATION INSTRUCTIONS



PRUDENTIAL LTG.

PRULITE.COM 213.746.0360

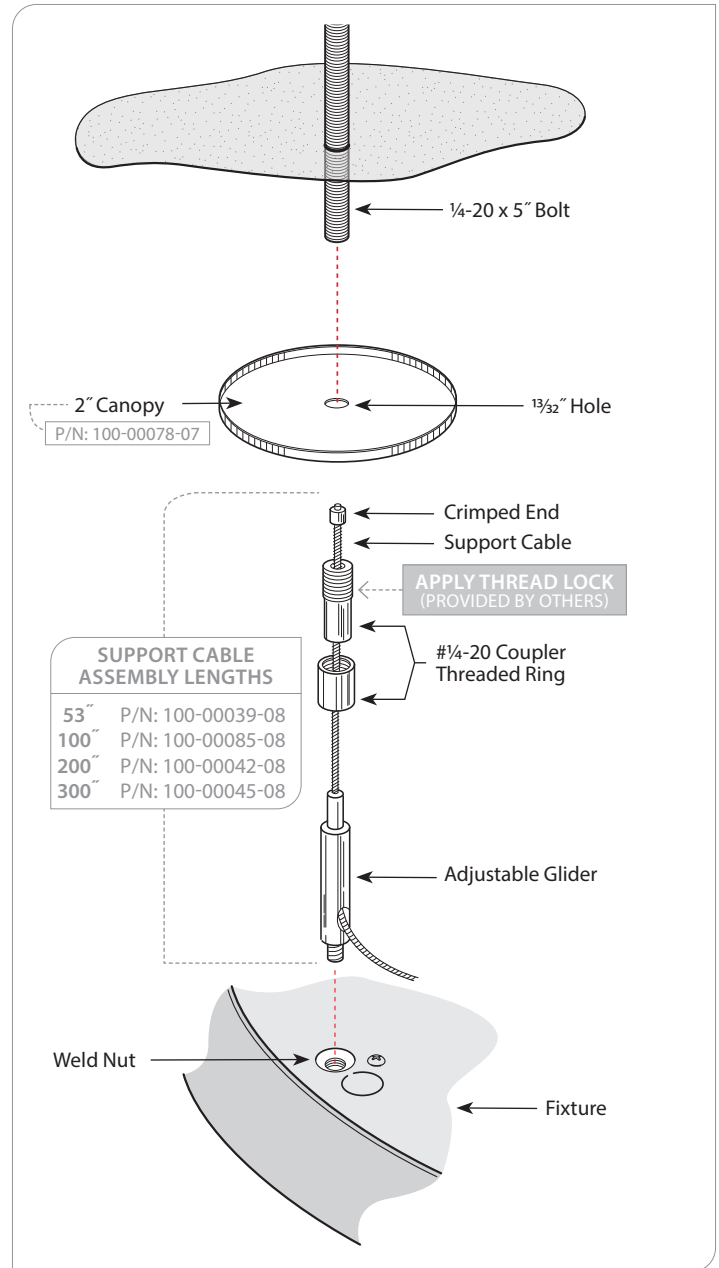
X1 — T-BAR

MAY REQUIRE TWO PEOPLE TO INSTALL

INSTALLATION

1. Insert non-crimped end of support cable through top threaded end of 1/4-20 coupling. Pull cable until crimp stops inside threaded end of coupling.
2. Push non-crimped end of cable through top (smooth end adjustable glider). Insert cable completely through glider. Glider will engage by pressing top smooth end down. Hold in place and pull back for adjustment.
3. Thread adjustable glider into weld nut located on top plate of light fixture. Trim excess cables no less than 3" beyond outlet.
4. Unscrew threaded ring from top of 1/4-20 coupling. Insert 1/4-20 coupling through 1 1/2" dia. center hole on canopy and let threaded ring and canopy rest on fixture end. Lift coupling/cable to ceiling with fixture attached and thread 1/4-20 coupler onto 1/4-20 x 5" bolt protruding through ceiling tile. Adjust cable to required distance from ceiling surface. Lift canopy against ceiling surface and secure in place with threaded ring.

CAUTION: Do not remove crimp from cable. Crimps are factory pressed onto cable for maximum strength. Prudential Lighting will not be responsible for damage or injuries which occur due to cable/crimp alterations. If different cable lengths are required, contact Prudential Lighting immediately.



WARNING: Ground fixture in accordance with local and national electrical codes. Failure to do so may result in serious personal injury.



Gaze | Round & Square CCAX Pendant Mount (Powered)

INSTALLATION INSTRUCTIONS



PRUDENTIAL LTG.

PRULITE.COM 213.746.0360

X1 — T-BAR

MAY REQUIRE TWO PEOPLE TO INSTALL

INSTALLATION

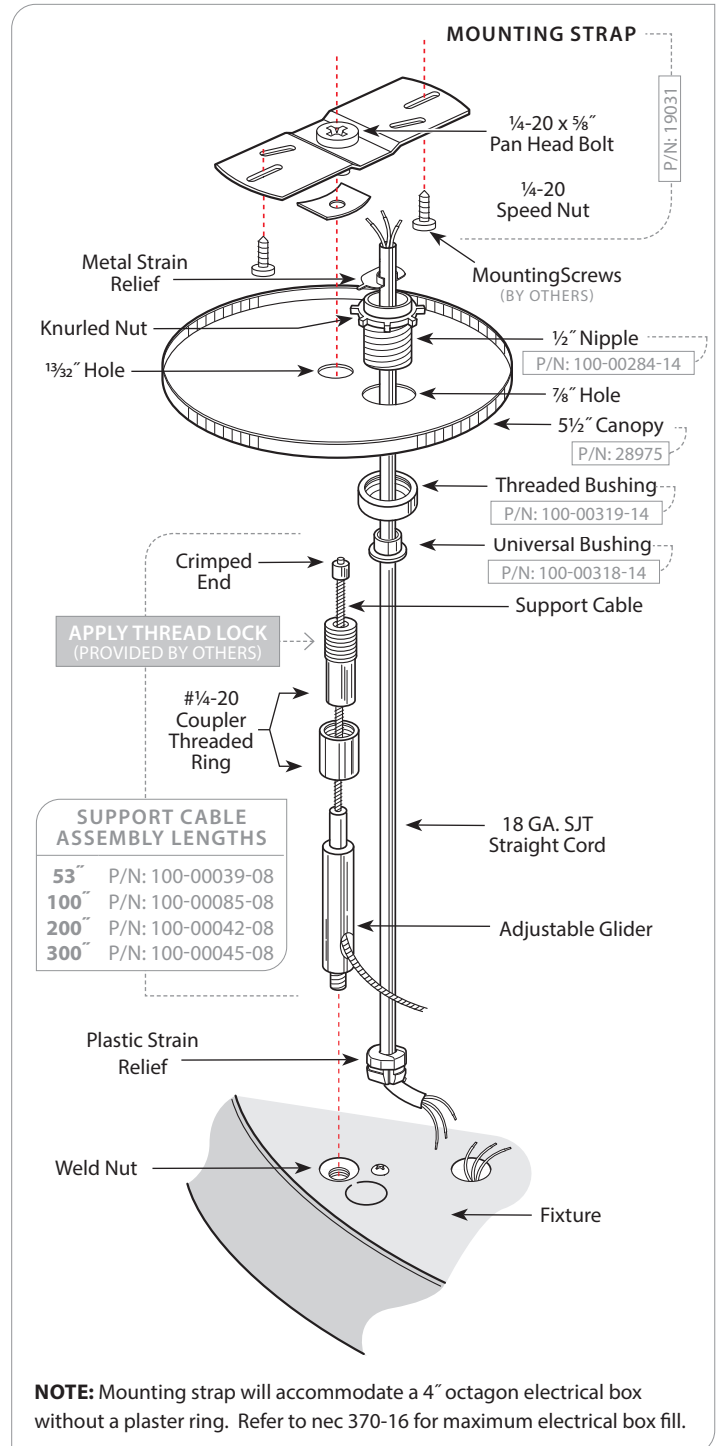
1. Use appropriate screws (provided by others) to fasten the mounting strap to the J-box.
2. Insert non-crimped end of support cable through top threaded end of coupling. Pull cable until crimp stops inside threaded end of coupling, push non-crimped end of cable through top (smooth end of adjustable glider). Insert cable completely through glider. Glider will engage around cable to prevent slipping. Disengage glider by pressing top smooth end down. Hold in place and pull cable back for adjustment.
3. Thread adjustable glider into weld nut located on top plate of light fixture. Trim excess cables no less than 3" beyond outlet.
4. Field cut SJT cord to proper length for specified fixture height and strip back a portion of outer insulation from one end of SJT cord.
5. Perform wire makeups above fixture and press wire nuts (by others) individually through 7/8" hole. Use plastic strain relief provided to secure cord in place. Cord should be secured to fixture end. Insert top end of cord through universal bushing, and threaded bushing. Secure to canopy with metal strain relief through 1/2" nipple. Make all wire connections.
6. Unscrew threaded ring from top of 1/4-20 coupling. Insert 1/4-20 coupling through center hole on canopy. Apply small amount of thread lock on mounting stud. Lift coupling/canopy, and fixture to mounting strap and screw coupling to bolt (be sure coupling is secure). Adjust cable to required distance from ceiling surface.

CAUTION: Do not remove crimp from cable. Crimps are factory pressed onto cable for maximum strength. Prudential Lighting will not be responsible for damage or injuries which occur due to cable/crimp alterations. If different cable lengths are required, contact Prudential Lighting immediately.

WIRING:

0-10V (+) : PURPLE	0-10V (-) : GREY
DALI (+) : PURPLE	DALI (-) : GREY
EcoSystem DALI (+) : PURPLE	EcoSystem DALI (-) : GREY
HOT : BLACK	
NEUTRAL : WHITE	
GROUND : GREEN	
CONSTANT HOT (EM) : RED	

NOTE: If drivers are installed remotely, connect low voltage (red & blue) wires only.



WARNING: Ground fixture in accordance with local and national electrical codes. Failure to do so may result in serious personal injury.