



Gaze Acoustic | Round & Square

Surface Flush / Surface Standoff



PRUDENTIAL LTG.

PRULITE.COM 213.746.0360

INSTALLATION INSTRUCTIONS

X3 — HARD CEILING

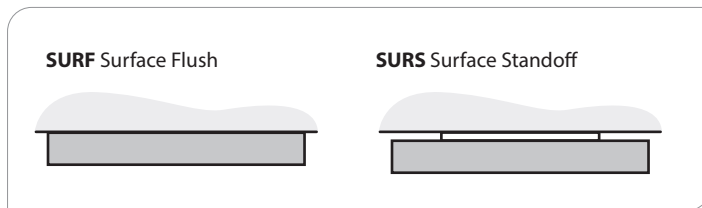
MAY REQUIRE TWO PEOPLE TO INSTALL

PART	PART NO.	DESCRIPTION	QTY
	100-00054-20	Nylon Spacer (SURFACE STANDOFF ONLY)	ALL RD & 18" SQ: 4
			24" & 36" SQ: 6
	138864	Safety Cable Clip	2
		Mounting Screws (by others) USE APPROPRIATE SCREW FOR STRUCTURAL MOUNTING	ALL RD & 18" SQ: 4
			24" & 36" SQ: 6

SURFACE MOUNT TOP PLATE (INCLUDED WITH FIXTURE):

	111584	18"	1
	138866	24" Round	1
	138867	36"	1
	139266	18"	1
	138868	24" Square	1
	138869	36"	1

MOUNTING OPTIONS



FIXTURE WEIGHTS:

	18"	24"	36"
ROUND LED	5.1lbs	6.5lbs	11.8lbs
SQUARE LED	6.1lbs	7.6lbs	13.9lbs



Gaze Acoustic | Round & Square

Surface Flush / Surface Standoff



PRUDENTIAL LTG.

PRULITE.COM 213.746.0360

INSTALLATION INSTRUCTIONS

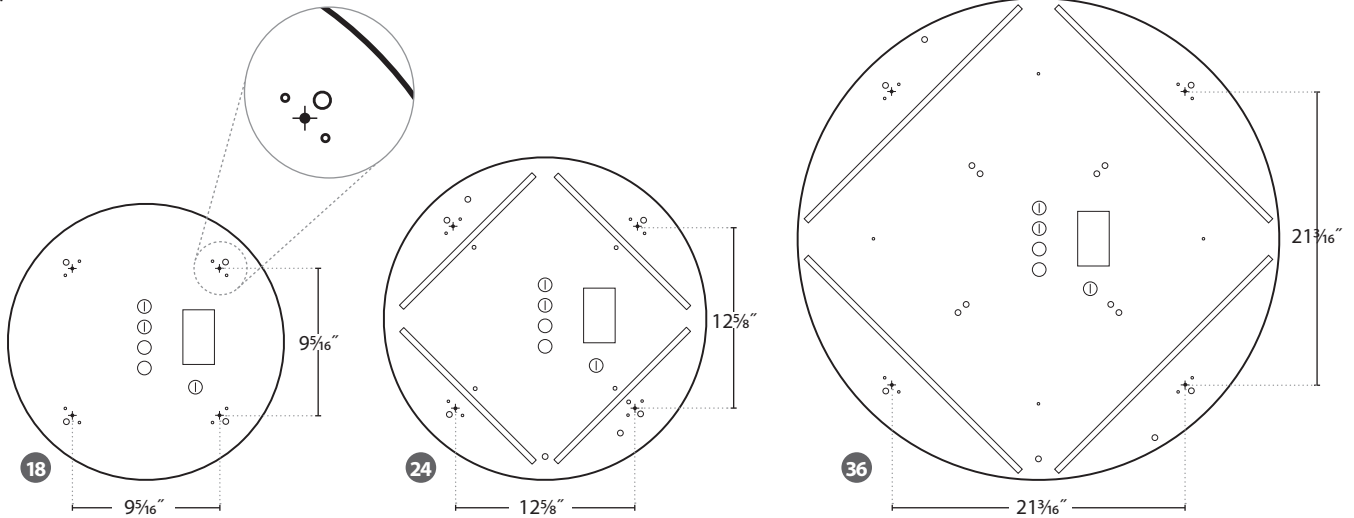
X3 — HARD CEILING

MAY REQUIRE TWO PEOPLE TO INSTALL

MOUNTING LOCATIONS

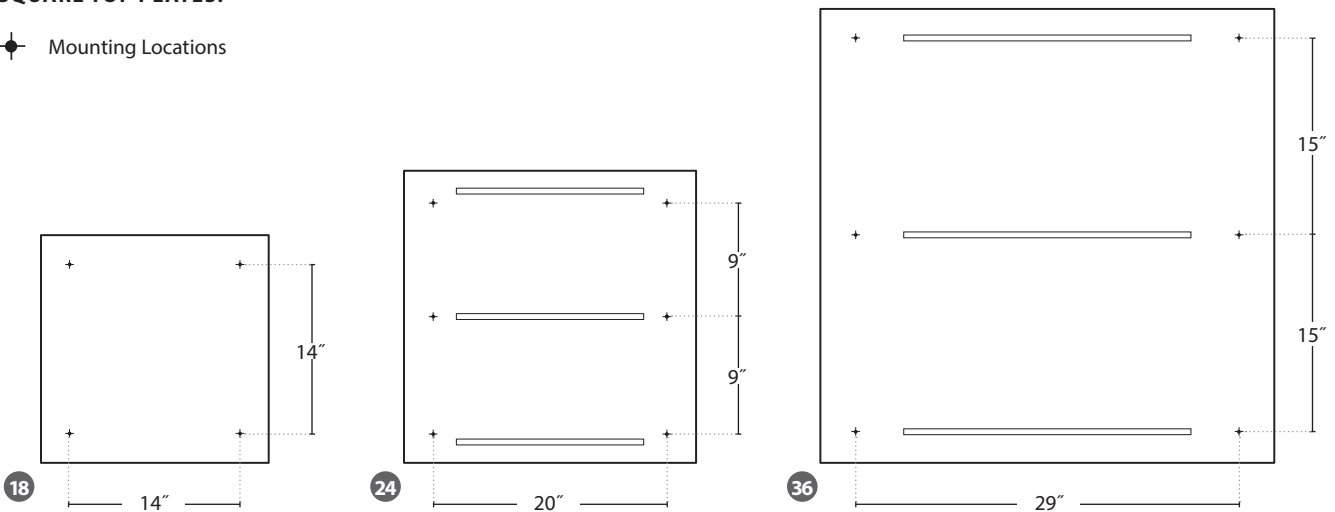
ROUND TOP PLATES:

Mounting Locations



SQUARE TOP PLATES:

Mounting Locations





Gaze Acoustic | Round & Square

Surface Flush / Surface Standoff



PRUDENTIAL LTG.

PRULITE.COM 213.746.0360

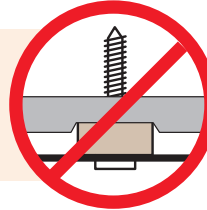
INSTALLATION INSTRUCTIONS

X3 — HARD CEILING

MAY REQUIRE TWO PEOPLE TO INSTALL

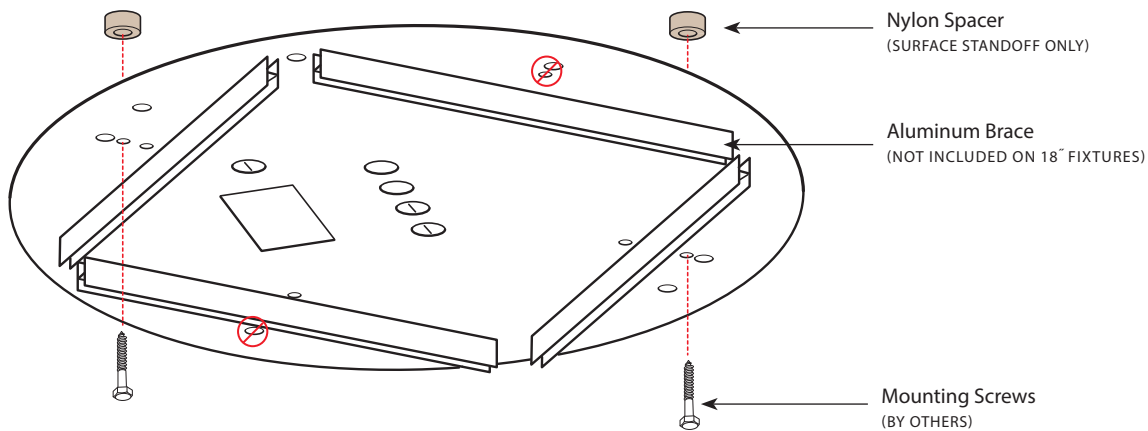
1) Mount top plate to ceiling or wall.

- ⚠ — Fixture to be mounted to structure. **DO NOT** mount to drywall alone.
- If using nylon spacer, screw fasteners slowly and **DO NOT** overtighten. Spacer may recede into drywall and cause the top plate to be uneven.



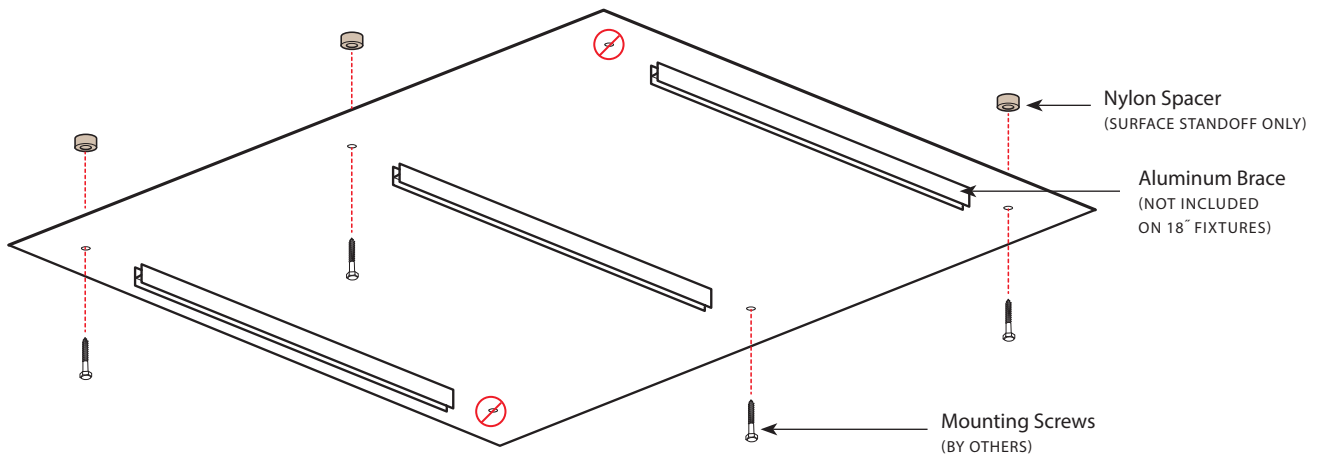
ROUND MOUNTING:

Mount top plate in two locations. other mounting locations will be used for safety cable attachment (see step 2, page 4).



SQUARE TOP PLATES:

Mount top plate leaving two corner locations open. The corner locations will be used for safety cable attachment (step 2, page 4).





Gaze Acoustic | Round & Square

Surface Flush / Surface Standoff

INSTALLATION INSTRUCTIONS



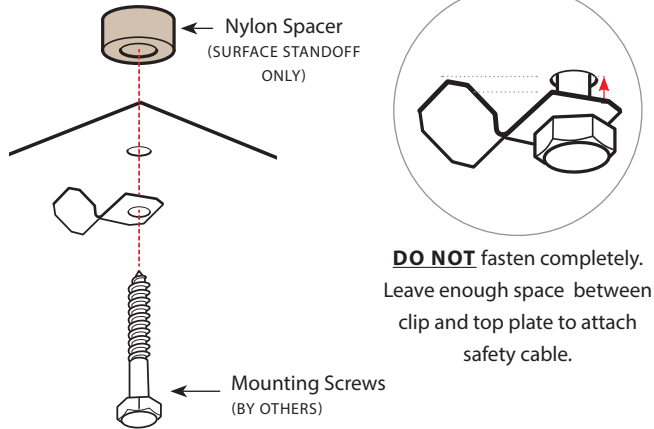
PRUDENTIAL LTG.

PRULITE.COM 213.746.0360

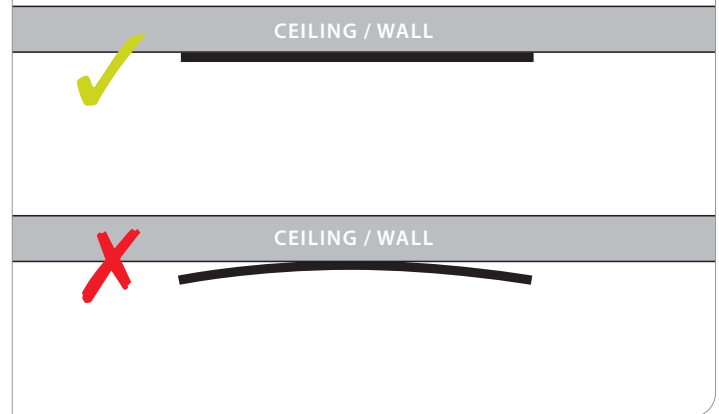
X3 — HARD CEILING

MAY REQUIRE TWO PEOPLE TO INSTALL

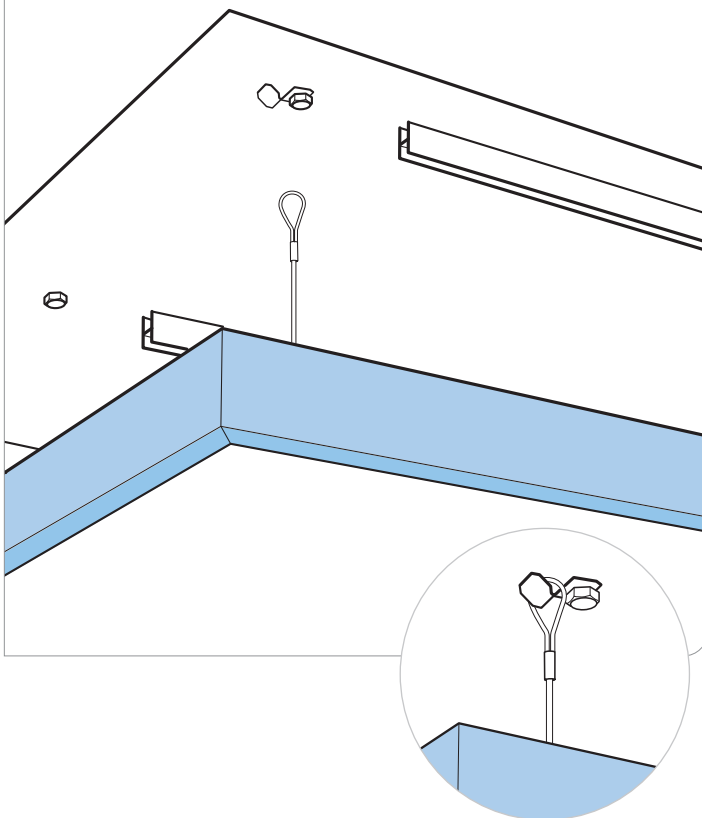
2) Attach safety cable clips (2x) through remaining open mounting locations. Use appropriate screw for structural mounting.



3) Make visual inspection of top plate to ensure it is installed flat. Uneven areas could cause poor fixture attachment.



4) Hang fixture with two safety cables and tighten fasteners.



5) Make final installation by aligning one edge of fixture with edge of top plate. Pivot fixture up until all magnets are engaged. Be sure perimeter of top plate is seated into fixture frame.

